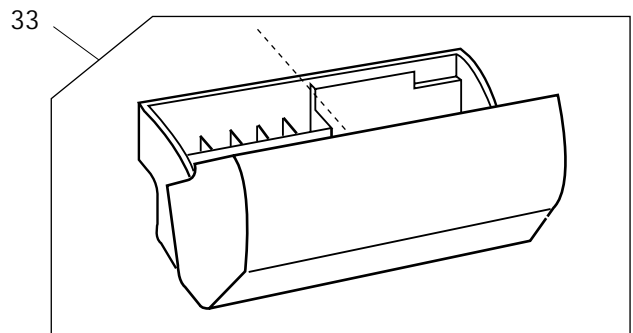
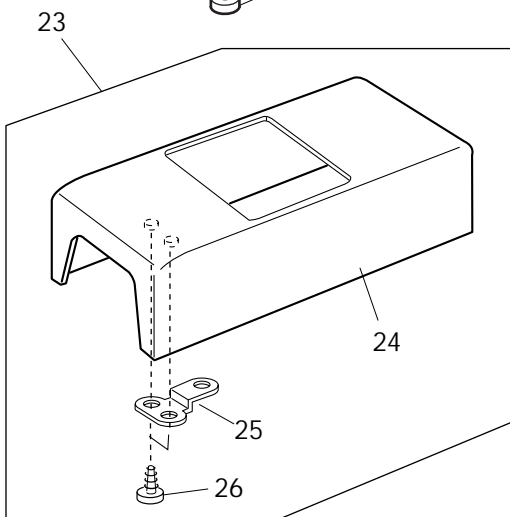
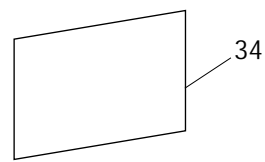
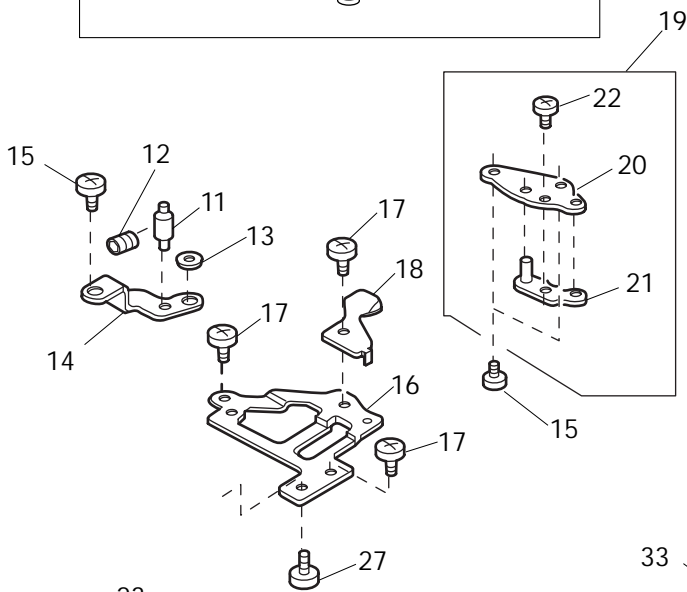
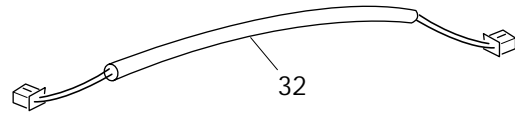
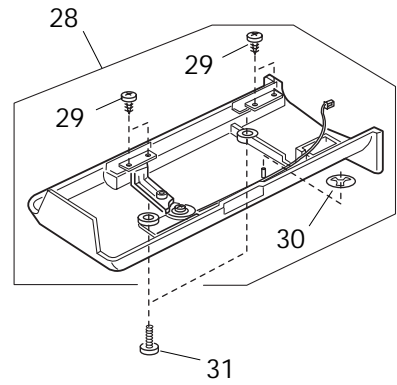
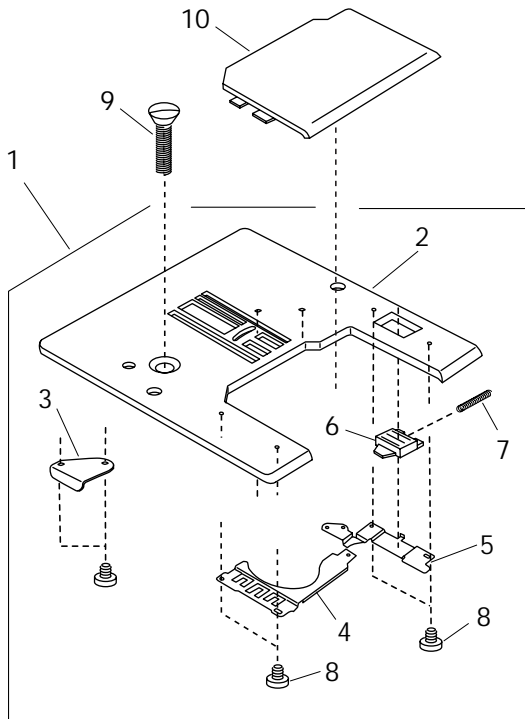
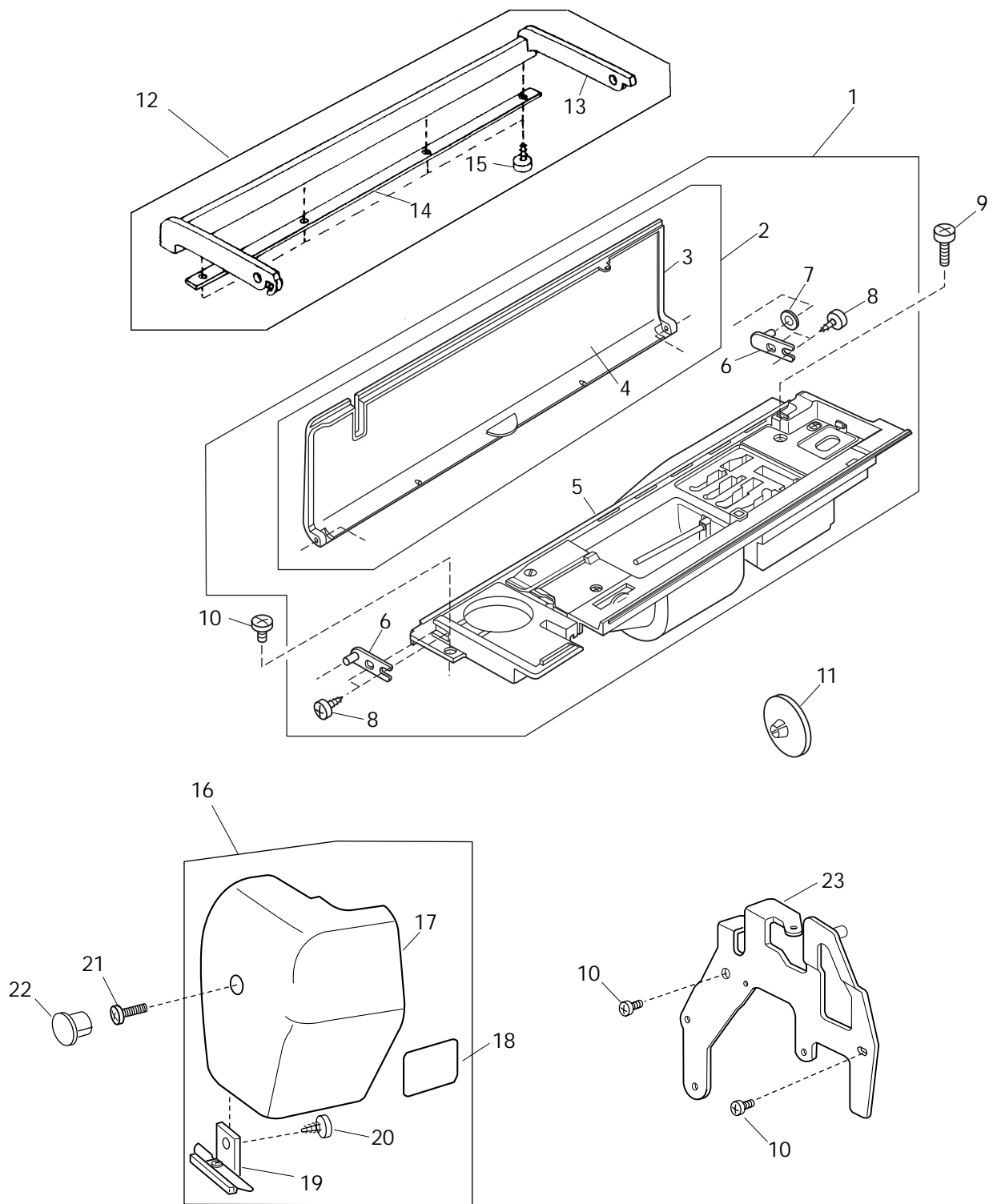


# **PARTS LIST**

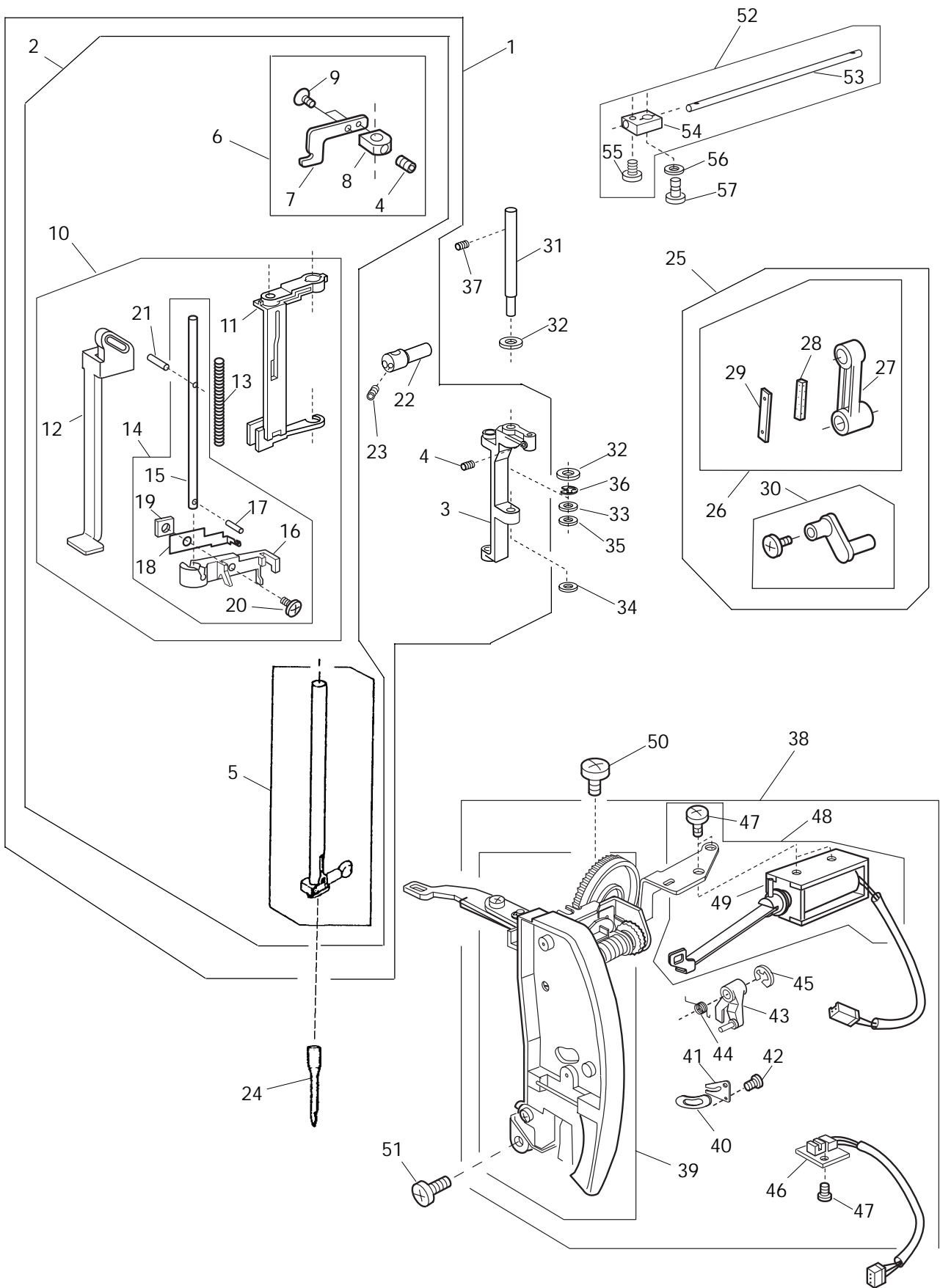
**Memory Craft 9500**



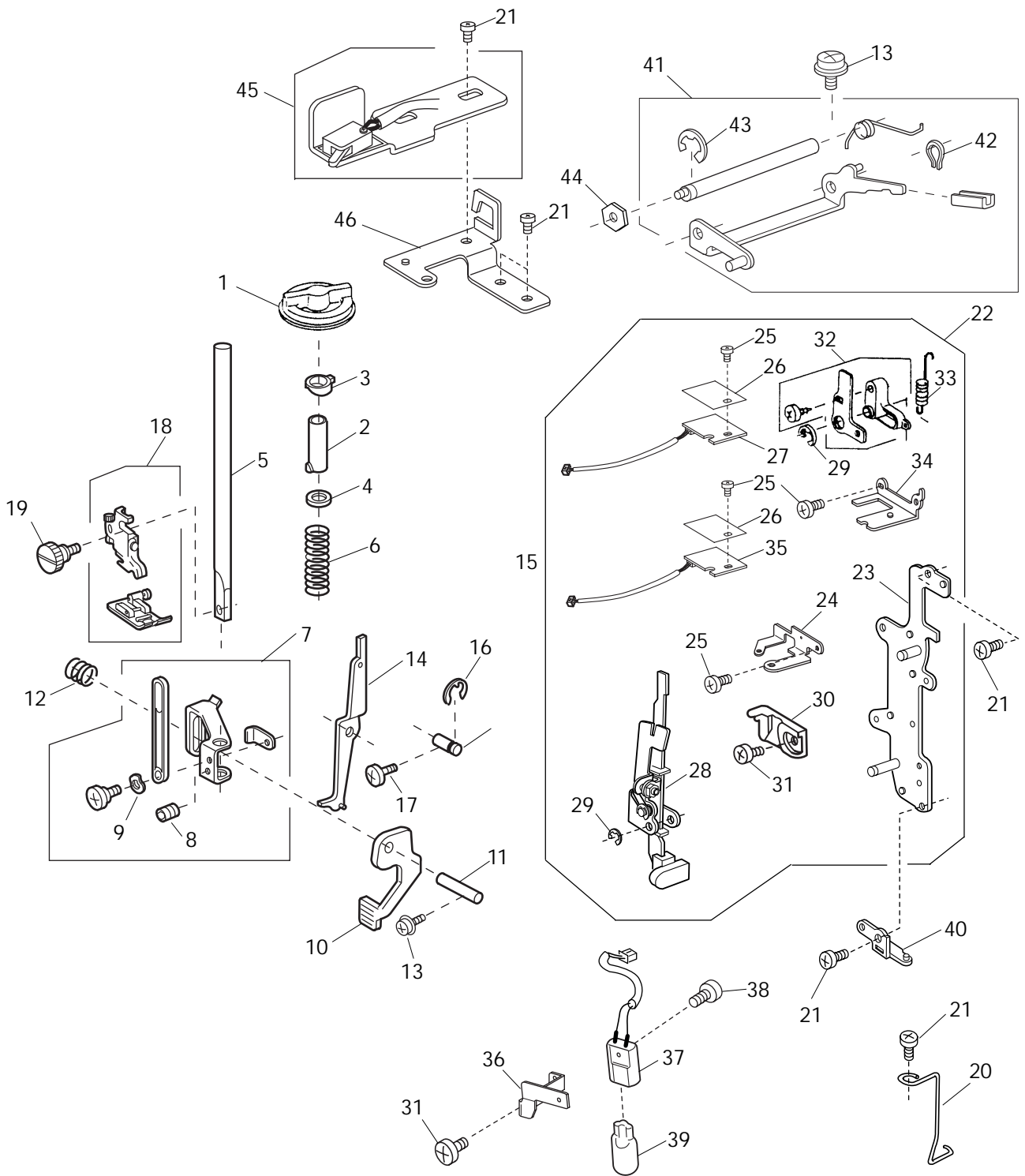
| Ref. | Part No.  | Name                           |
|------|-----------|--------------------------------|
| 1    | 853615002 | Needle plate unit              |
| 2    | 851075008 | Needle plate                   |
| 3    | 654078004 | Bobbin holder stopper          |
| 4    | 832235010 | Hook cover plate supporter (L) |
| 5    | 832012019 | Hook cover plate supporter (R) |
| 6    | 825016000 | Slide plate holder block J-N1  |
| 7    | 825017001 | Spring                         |
| 8    | 000169709 | Pan head small screw 2X2.3     |
| 9    | 820390109 | Set screw (large)              |
| 10   | 750036012 | Slide plate                    |
| 11   | 832013009 | Needle plate position pin      |
| 12   | 000111201 | Hexagon socket screw (4X4)     |
| 13   | 822314002 | Nut                            |
| 14   | 832014000 | Needle plate nut holder        |
| 15   | 000101404 | Setscrew 4x6                   |
| 16   | 832165007 | Stopper plate                  |
| 17   | 810220106 | Set screw                      |
| 18   | 851038009 | Stopper                        |
| 19   | 825605013 | Needle plate set plate         |
| 20   | 825021019 | Needle plate set plate (right) |
| 21   | 825022009 | Needle plate adjusting plate   |
| 22   | 000101105 | Setscrew 3x4                   |
| 23   | 852601105 | Free arm cover unit            |
| 24   | 852021105 | Free arm cover                 |
| 25   | 832003006 | Cover setting plate            |
| 26   | 000161103 | Setscrew 3x8                   |
| 27   | 000103705 | Setscrew 4x5                   |
| 28   | 851501019 | Bed cover unit                 |
| 29   | 000162805 | Set screw                      |
| 30   | 000014306 | Snap ring CS-3                 |
| 31   | 000103509 | Setscrew 4x10                  |
| 32   | 830545009 | Cable (unit)                   |
| 33   | 853502005 | Extension table unit           |
| 34   | 852004009 | Caution card                   |



| Ref. | Part No.  | Name                     |
|------|-----------|--------------------------|
| 1    | 853601005 | Top cover unit           |
| 2    | 853602006 | Top cover unit           |
| 3    | 853005003 | Top cover                |
| 4    | 853006004 | Reference chart          |
| 5    | 853603007 | Top cover base           |
| 6    | 830013003 | Top cover hinge          |
| 7    | 830190005 | Washer                   |
| 8    | 000161103 | Setscrew 3x8             |
| 9    | 000080901 | Setscrew 4x2.5           |
| 10   | 000081005 | Setscrew 4x8             |
| 11   | 822020503 | Spool holder J-N47       |
| 12   | 850633018 | Handle unit              |
| 13   | 850009019 | Handle                   |
| 14   | 850010105 | Metal bar                |
| 15   | 000197809 | Set screw                |
| 16   | 852604005 | Face plate unit          |
| 17   | 852006104 | Face plate               |
| 18   | 827099003 | Face plate sticker       |
| 19   | 832508006 | Thread cutter unit       |
| 20   | 000161103 | Setscrew 3x8             |
| 21   | 000103200 | + -Bind small screw 4X30 |
| 22   | 653006101 | CAP (J-N47)              |
| 23   | 834014202 | Handle supporter (front) |

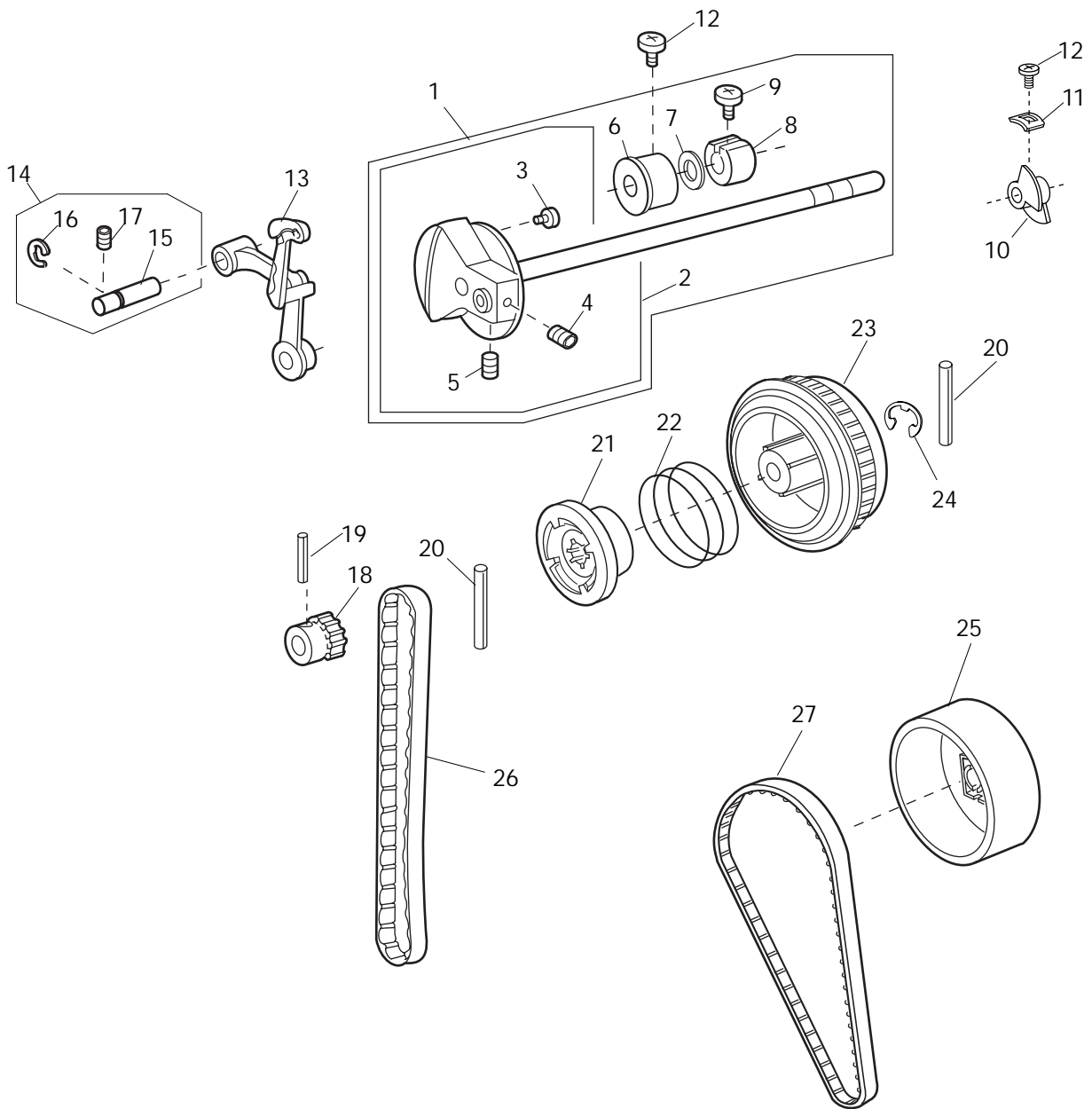


| Ref. | Part No.  | Name                         |
|------|-----------|------------------------------|
| 1    | 853508104 | Needle bar supporter unit    |
| 2    | 853508001 | Needle bar supporter unit    |
| 3    | 831001012 | Needle bar supporter         |
| 4    | 000111902 | Hexagon socket screw 3x4     |
| 5    | 830609208 | Needle bar unit              |
| 6    | 751607002 | Needle threader posit. Plate |
| 7    | 734101008 | Threader position set plate  |
| 8    | 751016008 | Threader positioning holder  |
| 9    | 000097602 | Setscrew 2X4                 |
| 10   | 853509002 | Needle threader unit         |
| 11   | 755062001 | Threader frame               |
| 12   | 853026000 | Threader lever               |
| 13   | 755067006 | Needle threader spring       |
| 14   | 755625008 | Needle threader shaft unit   |
| 15   | 755066005 | Threader shaft               |
| 16   | 755064003 | Threader supporter           |
| 17   | 000003508 | Spring pin 2x8               |
| 18   | 755065004 | Threader plate               |
| 19   | 755095003 | Nut                          |
| 20   | 755096004 | Set screw                    |
| 21   | 000125105 | Pin                          |
| 22   | 751047008 | Needle bar supporter         |
| 23   | 000111201 | Hexagon socket screw (4X4)   |
| 24   | 102408089 | Needle 15x1#14               |
| 25   | 850662005 | Needle bar crank unit        |
| 26   | 650607006 | Needle bar crank rod unit    |
| 27   | 650039001 | Needle bar crank rod         |
| 28   | 650040005 | Felt                         |
| 29   | 650041006 | Felt holding spring          |
| 30   | 652512009 | Needle bar crank pin (unit)  |
| 31   | 823018006 | Needle bar supporter shaft   |
| 32   | 822063003 | Felt (special cut to size)   |
| 33   | 000036108 | Washer 7.2x11x0.5            |
| 34   | 000036603 | Washer 5.2x8x0.5             |
| 35   | 000116000 | Corrugated washer (7)        |
| 36   | 000001609 | Snap ring 5                  |
| 37   | 000111108 | Hexagon socket screw 4x6     |
| 38   | 853604008 | Tension unit                 |
| 39   | 853503006 | Tension unit                 |
| 40   | 830050002 | Cushion                      |
| 41   | 834173004 | Cushion holder               |
| 42   | 000161103 | Setscrew 3x8                 |
| 43   | 830660001 | Thread cutter lever unit     |
| 44   | 830049008 | Sensor lever spring          |
| 45   | 000001207 | Snap ring                    |
| 46   | 852502002 | Circuit board G1             |
| 47   | 000101105 | Setscrew 3x4                 |
| 48   | 834604102 | Solenoid unit                |
| 49   | 851516109 | Solenoid unit                |
| 50   | 000081005 | Setscrew 4x8                 |
| 51   | 000101703 | Setscrew 4x12                |
| 52   | 850617005 | Zigzag rod unit              |
| 53   | 850082005 | Zigzag rod                   |
| 54   | 823065008 | Connector                    |
| 55   | 000115308 | Setscrew 2x8                 |
| 56   | 823066009 | Connector shaft              |
| 57   | 000116103 | Corrugated washer 4          |

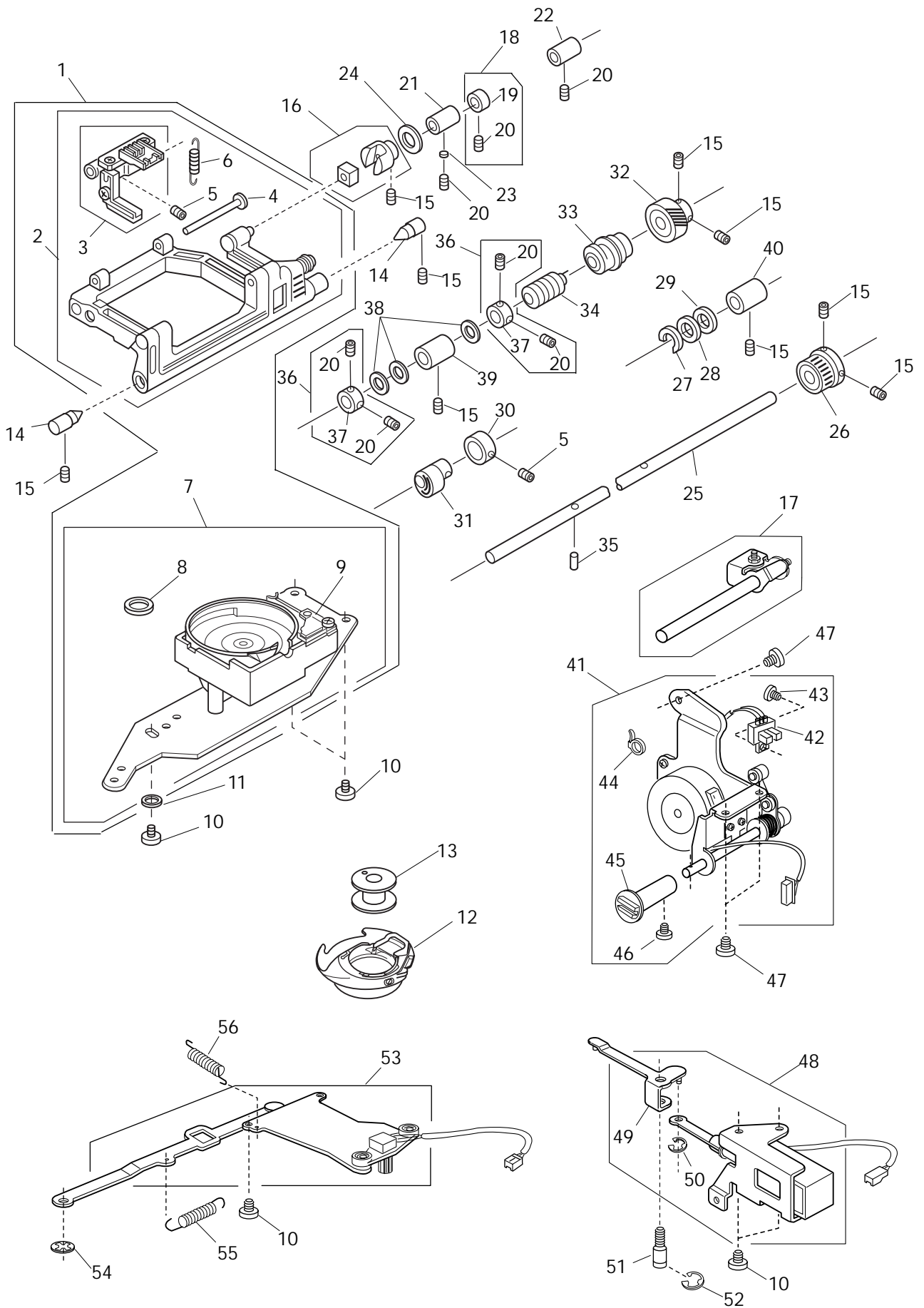




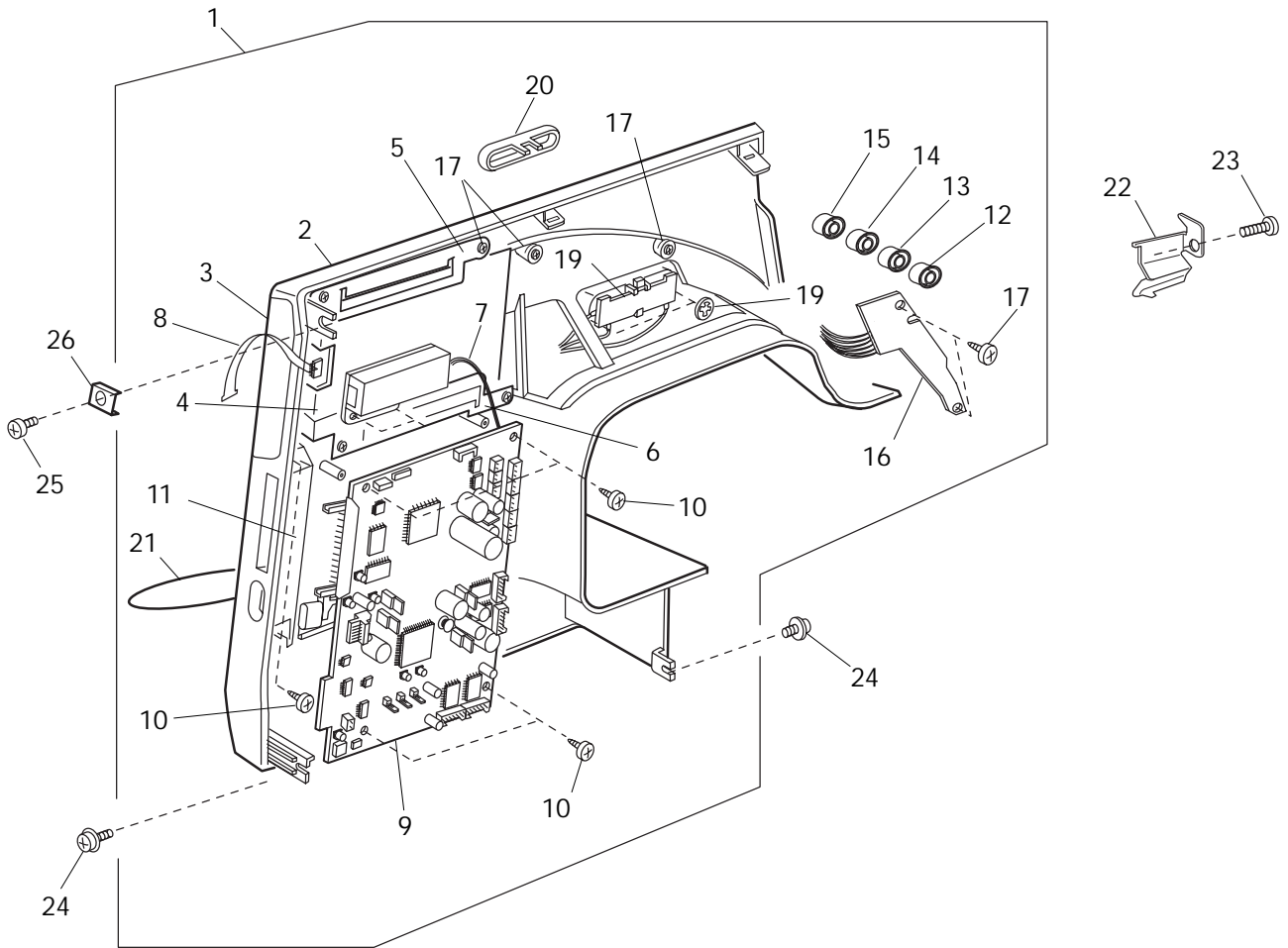
| Ref. | Part No.  | Name                          |
|------|-----------|-------------------------------|
| 1    | 830026010 | Pressure adjusting dial       |
| 2    | 830027000 | Pressure bar bush             |
| 3    | 830028001 | Pressure regulating cam       |
| 4    | 102061008 | Darner spring washer          |
| 5    | 830029002 | Presser bar                   |
| 6    | 830030006 | Pressure spring               |
| 7    | 830586024 | Presser bar supporter (unit)  |
| 8    | 000111500 | Hexagon socket screw 4x8      |
| 9    | 000116608 | Washer                        |
| 10   | 830035012 | Presser bar lifter            |
| 11   | 822072005 | Presser bar lifter pin        |
| 12   | 102222009 | Darner spring                 |
| 13   | 000115629 | Setscrew                      |
| 14   | 830037025 | Tension releasing lever       |
| 15   | 830338007 | Thread release lever pin      |
| 16   | 000002507 | Snap ring E-4                 |
| 17   | 000081027 | Setscrew                      |
| 18   | 832501009 | Presser foot unit             |
| 19   | 825252000 | Thumb screw                   |
| 20   | 830039027 | Arm thread guide              |
| 21   | 000081005 | Setscrew 4x8                  |
| 22   | 853605009 | Front plate unit              |
| 23   | 853025001 | Front plate                   |
| 24   | 846044002 | Sensor set plate              |
| 25   | 000101105 | Setscrew 3x4                  |
| 26   | 853028002 | Insulation paper              |
| 27   | 852502105 | Circuit board G1              |
| 28   | 843625107 | Buttonhole lever              |
| 29   | 000002105 | Snap ring 3                   |
| 30   | 830057010 | Buttonhole lever guide        |
| 31   | 000103808 | Setscrew 3x5                  |
| 32   | 830661002 | Link                          |
| 33   | 830277007 | Presser shield plate spring   |
| 34   | 853027001 | Sensor set plate              |
| 35   | 852502208 | Circuit board G1              |
| 36   | 852039003 | Lamp set plate                |
| 37   | 501509404 | Lamp socket unit              |
| 38   | 000102900 | Setscrew 2x8                  |
| 39   | 000026002 | Lamp (12V.5W)                 |
| 40   | 851045009 | Front cover setting plate (2) |
| 41   | 830585012 | Pressure functioning arm unit |
| 42   | 000014605 | Snap ring G-6                 |
| 43   | 000001609 | Snap ring 5                   |
| 44   | 000061205 | Nut                           |
| 45   | 852621008 | Switch                        |
| 46   | 853010001 | Switch set plate              |



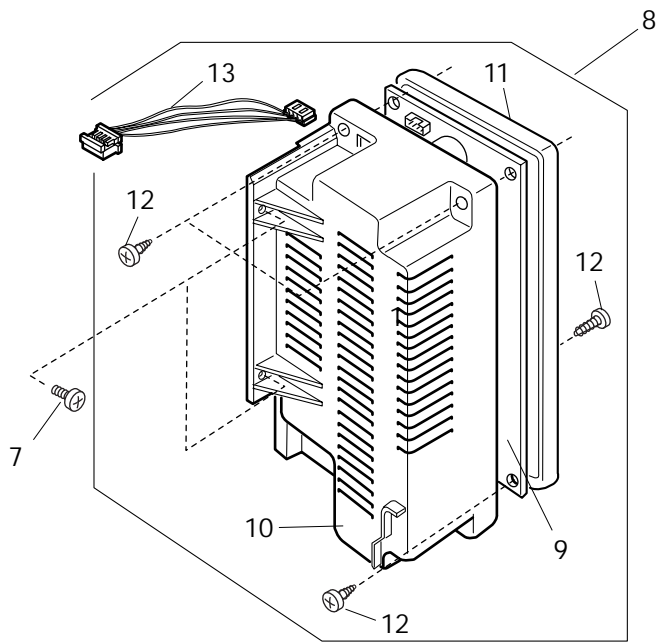
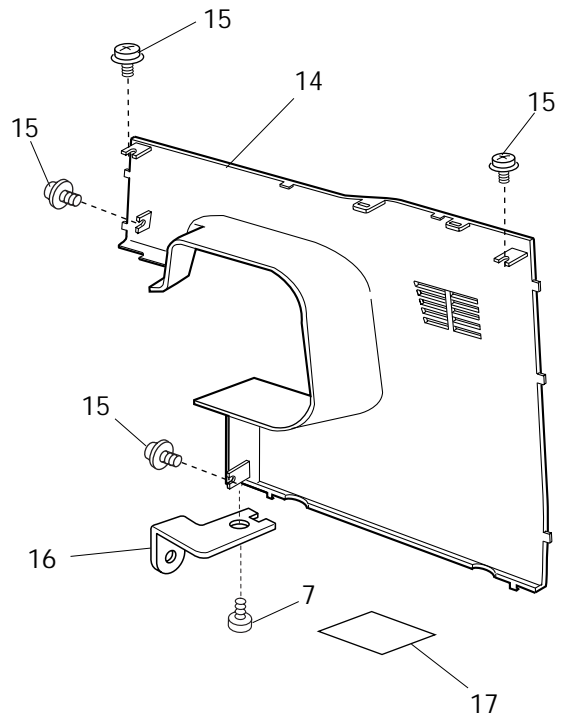
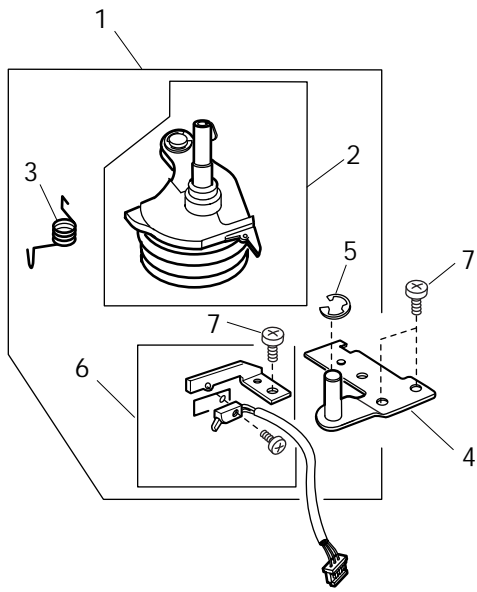
| Ref. | Part No.  | Name                       |
|------|-----------|----------------------------|
| 1    | 852613007 | Upper shaft unit           |
| 2    | 852508008 | Upper shaft unit           |
| 3    | 000078319 | Setscrew 3x6               |
| 4    | 000110901 | Socket screw 5X4           |
| 5    | 000111706 | Hexagon socket screw 5x8   |
| 6    | 673061003 | **829042007**              |
| 7    | 000038605 | Washer                     |
| 8    | 821025000 | Upper shaft ring           |
| 9    | 000103509 | Setscrew 4x10              |
| 10   | 830095010 | Shield plate               |
| 11   | 820102009 | Washer                     |
| 12   | 000081005 | Setscrew 4x8               |
| 13   | 820511108 | Take up lever unit         |
| 14   | 650626001 | Pin unit                   |
| 15   | 650062003 | Thread take up lever shaft |
| 16   | 000001702 | **000002806**              |
| 17   | 000111201 | Hexagon socket screw (4X4) |
| 18   | 830341003 | Upper shaft timing gear    |
| 19   | 000004303 | Spring pin (3X20)          |
| 20   | 000024206 | Spring pin 3X30            |
| 21   | 502064003 | Clutch ring                |
| 22   | 502065004 | Clutch spring              |
| 23   | 303025009 | Belt wheel                 |
| 24   | 000030205 | Snap ring E-8              |
| 25   | 502068203 | Hand wheel                 |
| 26   | 850165003 | Motor belt                 |
| 27   | 650071005 | Timing belt                |



| Ref. | Part No.  | Name                           |
|------|-----------|--------------------------------|
| 1    | 853612009 | Feed rock shaft unit           |
| 2    | 832633104 | Feed rock shaft unit           |
| 3    | 832535105 | Feed dog set plate unit        |
| 4    | 825099007 | Shaft                          |
| 5    | 000111108 | Hexagon socket screw 4x6       |
| 6    | 825103005 | Spring                         |
| 7    | 832627105 | Hook race unit                 |
| 8    | 627190010 | Magnet                         |
| 9    | 627567001 | Hook stopper (unit)            |
| 10   | 000081005 | Setscrew 4x8                   |
| 11   | 000070506 | Plain washer                   |
| 12   | 832517204 | Bobbin holder unit             |
| 13   | 102261103 | Plastic bobbin                 |
| 14   | 738055008 | Straight pin                   |
| 15   | 000111304 | Hexagon socket screw 5x5       |
| 16   | 625508008 | Feed regulator unit            |
| 17   | 850614105 | Feed arm unit                  |
| 18   | 820673006 | Ring unit                      |
| 19   | 820387000 | Ring                           |
| 20   | 000111201 | Hexagon socket screw (4X4)     |
| 21   | 625144002 | Feed shaft bushing (Front)     |
| 22   | 650092002 | Feed shaft bushing (rear)      |
| 23   | 650175000 | Screw base                     |
| 24   | 823110009 | Felt (Special size to cut felt |
| 25   | 850071001 | Lower shaft                    |
| 26   | 822113009 | Lower shaft belt wheel         |
| 27   | 822112008 | Felt holder (1)                |
| 28   | 822070003 | Felt (Special cut to size felt |
| 29   | 000036201 | Washer 8.2x12x0.5              |
| 30   | 810092004 | Ring                           |
| 31   | 825091102 | Feed cam                       |
| 32   | 650076000 | Lower shaft gear               |
| 33   | 825092000 | Feed lifting cam               |
| 34   | 825093001 | Spring                         |
| 35   | 820161006 | Feed lifting pin               |
| 36   | 820672005 | Lower shaft ring unit          |
| 37   | 820166001 | Ring                           |
| 38   | 000038502 | Washer 8X0.5                   |
| 39   | 650078002 | Lower shaft bushing (front)    |
| 40   | 650079003 | Lower shaft bushing (rear)     |
| 41   | 853610007 | Feed stepping motor unit       |
| 42   | 852511406 | Circuit board G2               |
| 43   | 000115401 | TP screw 3x4                   |
| 44   | 000053008 | Grip band                      |
| 45   | 832087004 | Feed balance dial              |
| 46   | 000115009 | Setscrew 3x8                   |
| 47   | 000101404 | Setscrew 4x6                   |
| 48   | 850645013 | Solenoid unit                  |
| 49   | 850083006 | Bobbin thread sensor arm       |
| 50   | 000002105 | Snap ring 3                    |
| 51   | 832097018 | Hinge screw                    |
| 52   | 000002507 | Snap ring E-4                  |
| 53   | 850618109 | Sensor set plate               |
| 54   | 000013707 | Snap ring CS-2.4               |
| 55   | 850089002 | Spring                         |
| 56   | 850212017 | Spring                         |

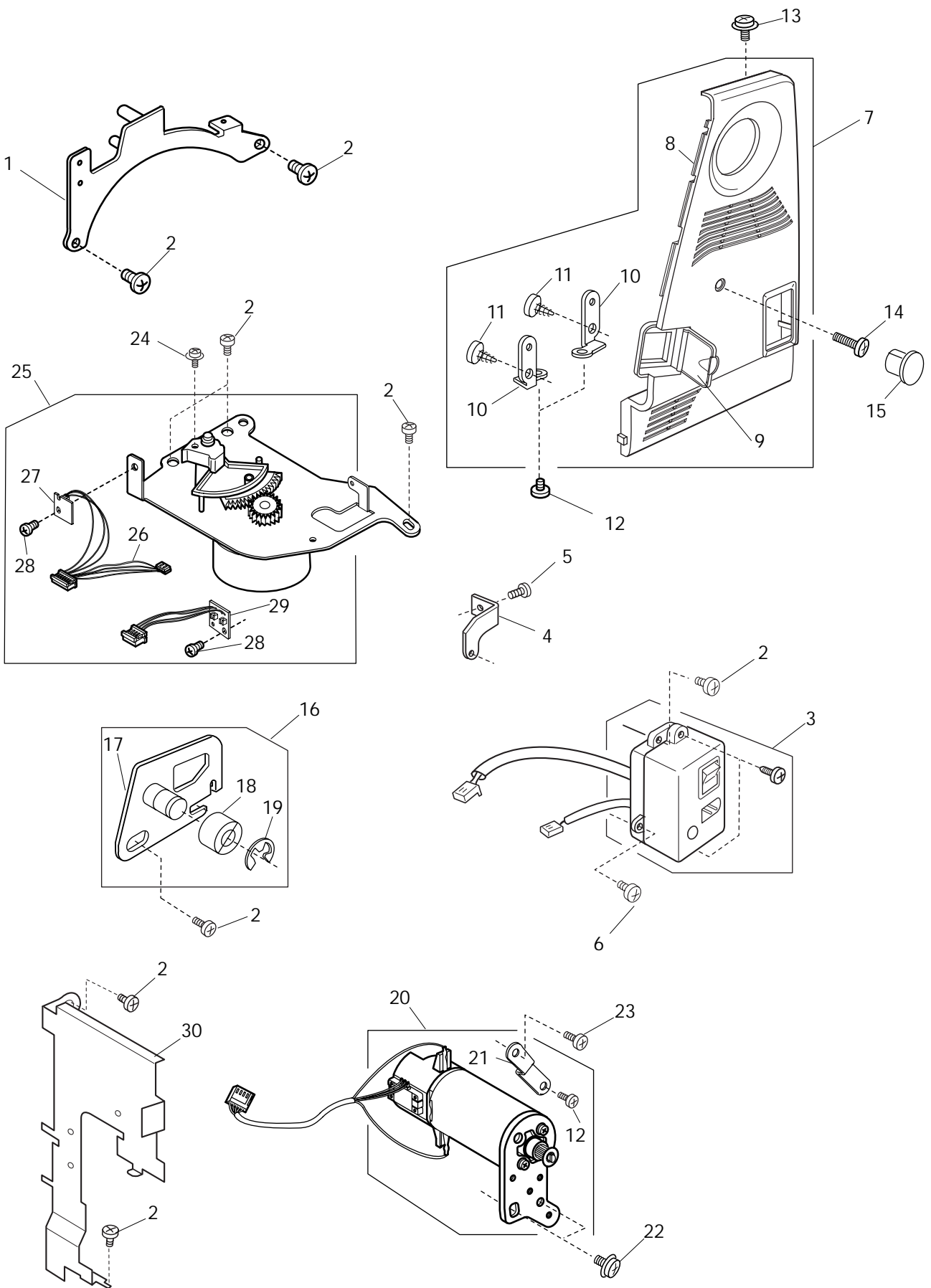


| Ref. | Part No.  | Name                         |
|------|-----------|------------------------------|
| 1    | 853606000 | Front cover unit             |
| 2    | 853012106 | Front cover                  |
| 3    | 853013107 | Ornamental plate             |
| 4    | 853607001 | LCD unit                     |
| 5    | 852017005 | LCD set plate                |
| 6    | 852611005 | LCD set plate                |
| 7    | 850524004 | Inverter harness unit        |
| 8    | 852505005 | LCD harness unit             |
| 9    | 853609003 | Circuit board A              |
| 10   | 000076317 | Set screw 3x10-2V            |
| 11   | 852019007 | Card guide                   |
| 12   | 852020104 | Start-stop button            |
| 13   | 850059128 | Button                       |
| 14   | 850059221 | Button                       |
| 15   | 850059324 | Button                       |
| 16   | 853501004 | Circuit board F              |
| 17   | 000120203 | Tapping screw 3x8(B)         |
| 18   | 653507004 | Sliding lever                |
| 19   | 000014306 | Snap ring CS-3               |
| 20   | 845027109 | Speed control lever          |
| 21   | 853015006 | Emblem                       |
| 22   | 825183010 | Arm thread guide (lower)     |
| 23   | 000096508 | +Pan head small screw 3.5X25 |
| 24   | 000115607 | TP screw                     |
| 25   | 000066705 | Setscrew 3x8                 |
| 26   | 832177002 | Washer                       |

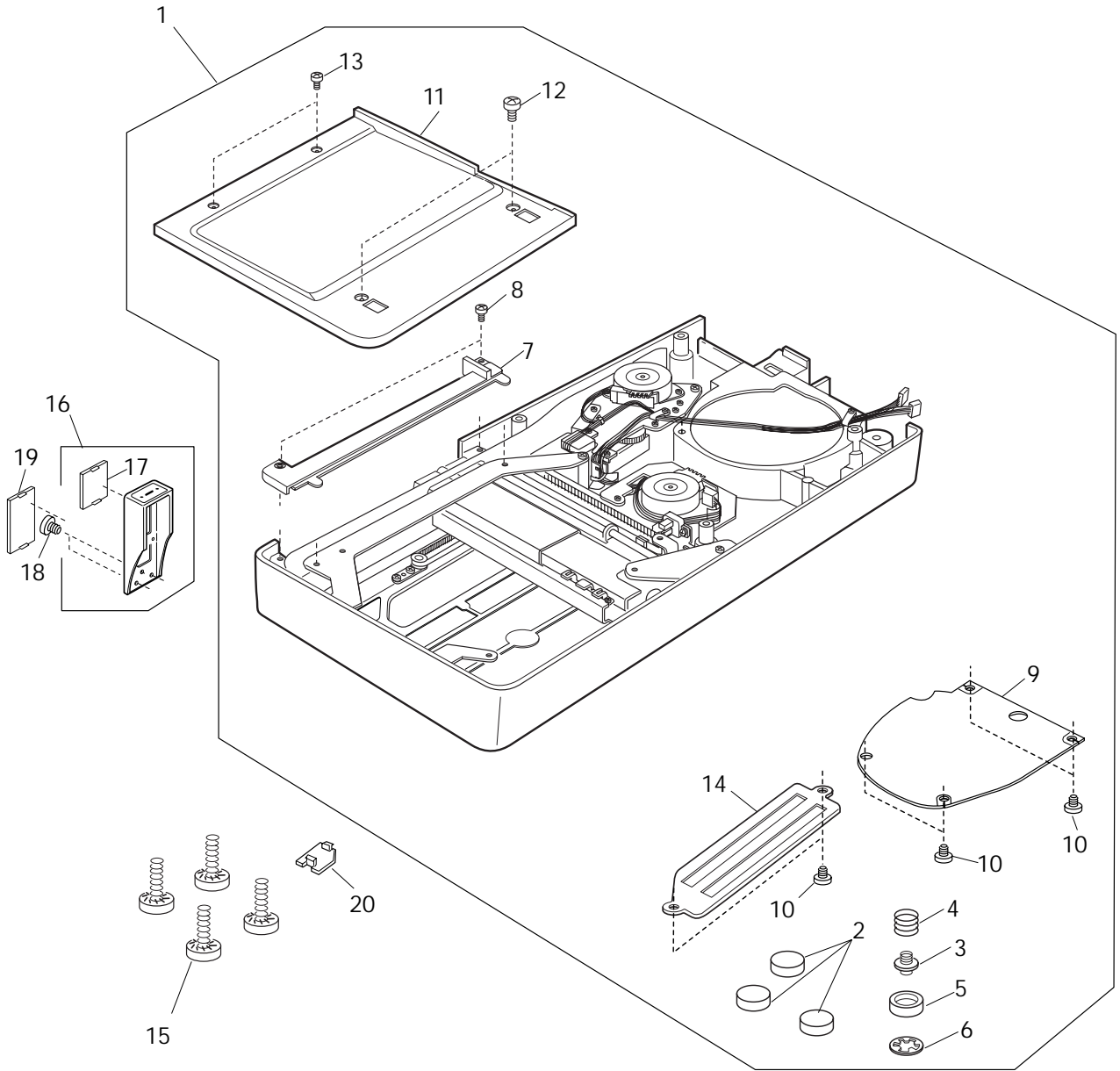




| Ref. | Part No.  | Name                 |
|------|-----------|----------------------|
| 1    | 853613000 | Bobbin winder unit   |
| 2    | 853506009 | Bobbin winder unit   |
| 3    | 823119008 | Bobbin winder spring |
| 4    | 852029103 | Bobbin winder base   |
| 5    | 000001609 | Snap ring 5          |
| 6    | 852615009 | Switch unit          |
| 7    | 000081005 | Setscrew 4x8         |
| 8    | 850628205 | Voltage control unit |
| 9    | 850541018 | Voltage control unit |
| 10   | 850157024 | Case                 |
| 11   | 850158014 | Lid                  |
| 12   | 000119704 | Setscrew             |
| 13   | 850523003 | Power supply harness |
| 14   | 853002103 | Rear cover           |
| 15   | 000115607 | TP screw             |
| 16   | 853021005 | Rear cover set plate |
| 17   | 850201002 | Carriage sticker     |



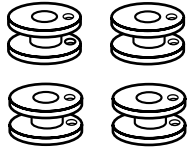
| Ref. | Part No.  | Name                       |
|------|-----------|----------------------------|
| 1    | 852032006 | Handle supporter (rear)    |
| 2    | 000081005 | Setscrew 4x8               |
| 3    | 845503104 | Machine socket unit        |
| 4    | 852036000 | Set plate                  |
| 5    | 810220106 | Set screw                  |
| 6    | 000101817 | Setscrew 4x16              |
| 7    | 853614001 | Belt cover unit            |
| 8    | 852031108 | Belt cover                 |
| 9    | 853022006 | Cover                      |
| 10   | 832099009 | Belt cover setting plate   |
| 11   | 000161103 | Setscrew 3x8               |
| 12   | 000066705 | Setscrew 3x8               |
| 13   | 000115009 | Setscrew 3x8               |
| 14   | 000104108 | Setscrew 4x20              |
| 15   | 653006101 | CAP (J-N47)                |
| 16   | 851617008 | Idler unit                 |
| 17   | 851039000 | Idler base                 |
| 18   | 625217100 | Idler                      |
| 19   | 000002806 | Snap ring (6)              |
| 20   | 080270207 | Motor unit                 |
| 21   | 850205006 | Set plate                  |
| 22   | 000115607 | TP screw                   |
| 23   | 000101404 | Setscrew 4x6               |
| 24   | 000115308 | Setscrew 2x8               |
| 25   | 853611008 | Zigzag stepping motor unit |
| 26   | 850506608 | Motor harness unit         |
| 27   | 852511509 | Circuit board G2           |
| 28   | 000101105 | Setscrew 3x4               |
| 29   | 843505203 | Circuit board P            |
| 30   | 853023007 | Guide plate                |



| Ref. | Part No.  | Name                          |
|------|-----------|-------------------------------|
| 1    | 852617001 | Base unit                     |
| 2    | 830150003 | Rubber cushion                |
| 3    | 820350004 | Adjusting screw               |
| 4    | 820351005 | Spring                        |
| 5    | 605074008 | Rubber foot                   |
| 6    | 813123004 | Snap ring CS                  |
| 7    | 850146008 | Cover                         |
| 8    | 000066727 | Setscrew 3X8                  |
| 9    | 850151017 | Lid                           |
| 10   | 810220106 | Set screw                     |
| 11   | 851053103 | Cover                         |
| 12   | 000101426 | Set screw                     |
| 13   | 000101127 | Setscrew 3x4                  |
| 14   | 832146002 | Base lid (1)                  |
| 15   | 000127107 | Screw with toothed washer6X35 |
| 16   | 850627008 | Carriage plate unit           |
| 17   | 850169007 | Lid                           |
| 18   | 000078319 | Setscrew 3x6                  |
| 19   | 850156001 | Carriage cover lid            |
| 20   | 851071004 | Lid                           |

1

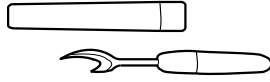
2



3



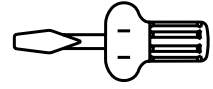
4



5



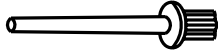
6



7



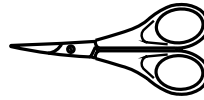
8



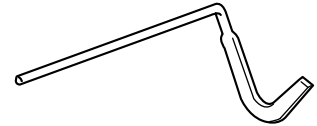
9



10



11



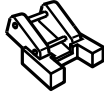
12



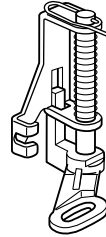
13



14



15



16



17



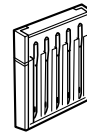
18



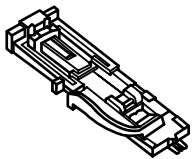
19



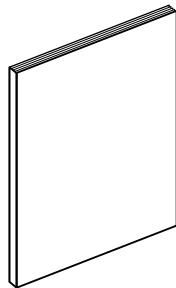
20



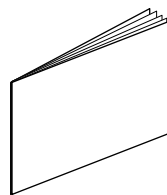
21



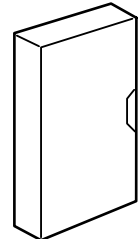
22



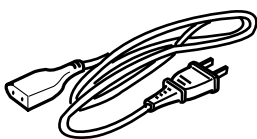
23



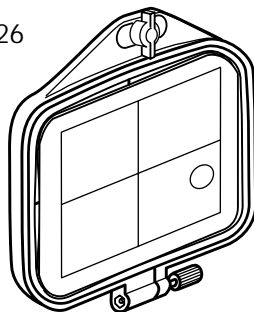
24



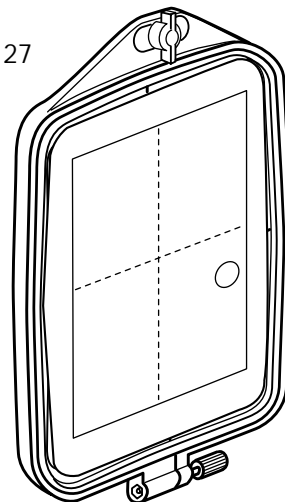
25



26



27



| Ref. | Part No.  | Name                          |
|------|-----------|-------------------------------|
| 1    | 853871008 | Set of accessories            |
| 2    | 102261103 | Plastic bobbin                |
| 3    | 102403109 | Spool pin felt                |
| 4    | 560406104 | Seam ripper (unit)            |
| 5    | 802424004 | Lint brush                    |
| 6    | 653802002 | Screw driver (L)              |
| 7    | 820832005 | Screwdriver (large)           |
| 8    | 625031500 | Spool pin (2) N-47            |
| 9    | 822019509 | Spool holder J-N47            |
| 10   | 822814007 | Scissors                      |
| 11   | 802422002 | Quilting guide                |
| 12   | 829801002 | Zipper foot (unit)            |
| 13   | 822808008 | Overlock foot                 |
| 14   | 802406011 | Button sewing foot unit       |
| 15   | 830856006 | Darning foot (unit)           |
| 16   | 822804118 | Satin foot unit               |
| 17   | 825817009 | Blind stitch foot             |
| 18   | 830810031 | Embroidery foot (P)           |
| 19   | 822801001 | Overlock foot                 |
| 20   | 832832002 | Needle case unit              |
| 21   | 830823118 | Sliding BH foot (R)           |
| 22   | 853803009 | Instruction book (English)    |
|      | 853803102 | Instruction book (Dutch)      |
|      | 853803205 | Instruction book (French)     |
|      | 853803308 | Instruction book (German)     |
|      | 853803401 | Instruction book (Spanish)    |
|      | 853803504 | Instruction book (Portuguese) |
|      | 853803607 | Instruction book (Italy)      |
|      | 853803700 | Instruction book (Swedish)    |
|      | 853803803 | Instruction book (Finnish)    |
|      | 853803906 | Instruction book (Russian)    |
| 23   | 853804000 | Template unit                 |
| 24   | 853805001 | Instructional video CD        |
| 25   | 653524007 | Power supply cord unit (CSA)  |
| 26   | 852807000 | Embroidery hoop "A"           |
| 27   | 850802009 | Embroidery hoop unit "B"      |