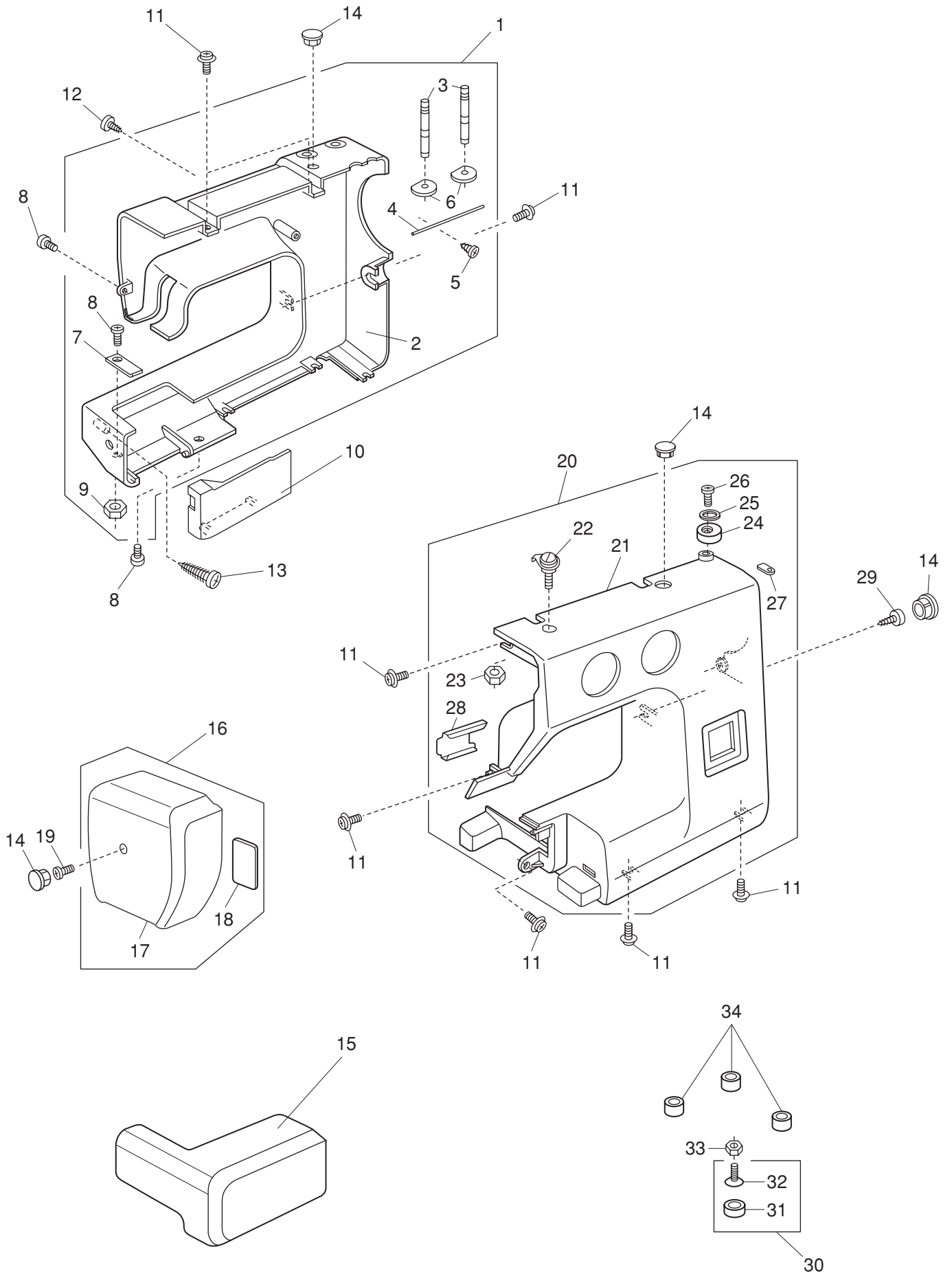


# **PARTS LIST**

**MODEL: Zakka 120**

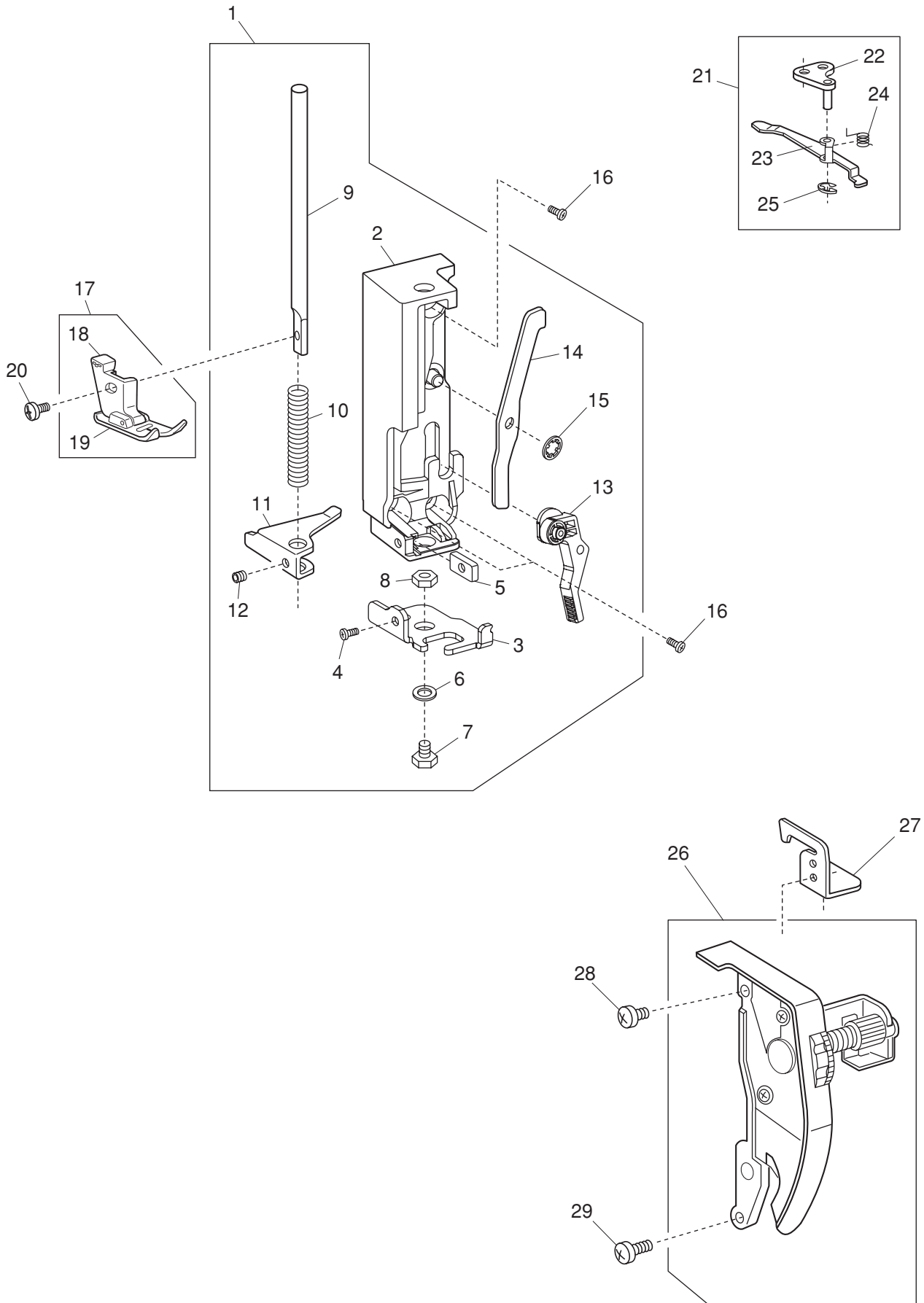
# PARTS LIST



## PARTS LIST

KEY NO.	PARTS NO.	DESCRIPTION
1	311601170	Rear cover (unit)
2	311001A03	Rear cover
3	652205109	Spool pins
4	736007009	Spool pin spring
5	000161206	Setscrew 3x10 (B)
6	735013005	Spool pin spring base
7	730006000	Spring
8	000101404	Setscrew 4x6
9	000061205	Nut 4-3-7
10	739004005	Bed cover plate
11	000115205	Setscrew TP 4x6
12	000121905	Tapping screw 4x12 (B)
13	000198604	Setscrew 4x14 (B)
14	653006101	Cap
15	311002005	Extension table
16	311602322	Face cover (unit)
17	311003A05	Face cover
18	724025006	Reflex sticker
19	000081005	Setscrew 4x8
20	311603862	Front cover (unit)
21	311006A17	Front cover
22	730501011	Thread guide plate (unit)
23	000160102	Adjustable lock nut 4
24	735016307	Bobbin winder stopper
25	000071013	Washer
26	000103107	Setscrew 4x14
27	843014004	Nut
28	735123009	Thread guide plate
29	000101703	Setscrew 4x12
30	735616200	Rubber base (unit)
31	735002001	Rubber base
32	000097901	Flat screw 5x18
33	000061319	Nut 5-1-8
34	739064003	Bed rubber base

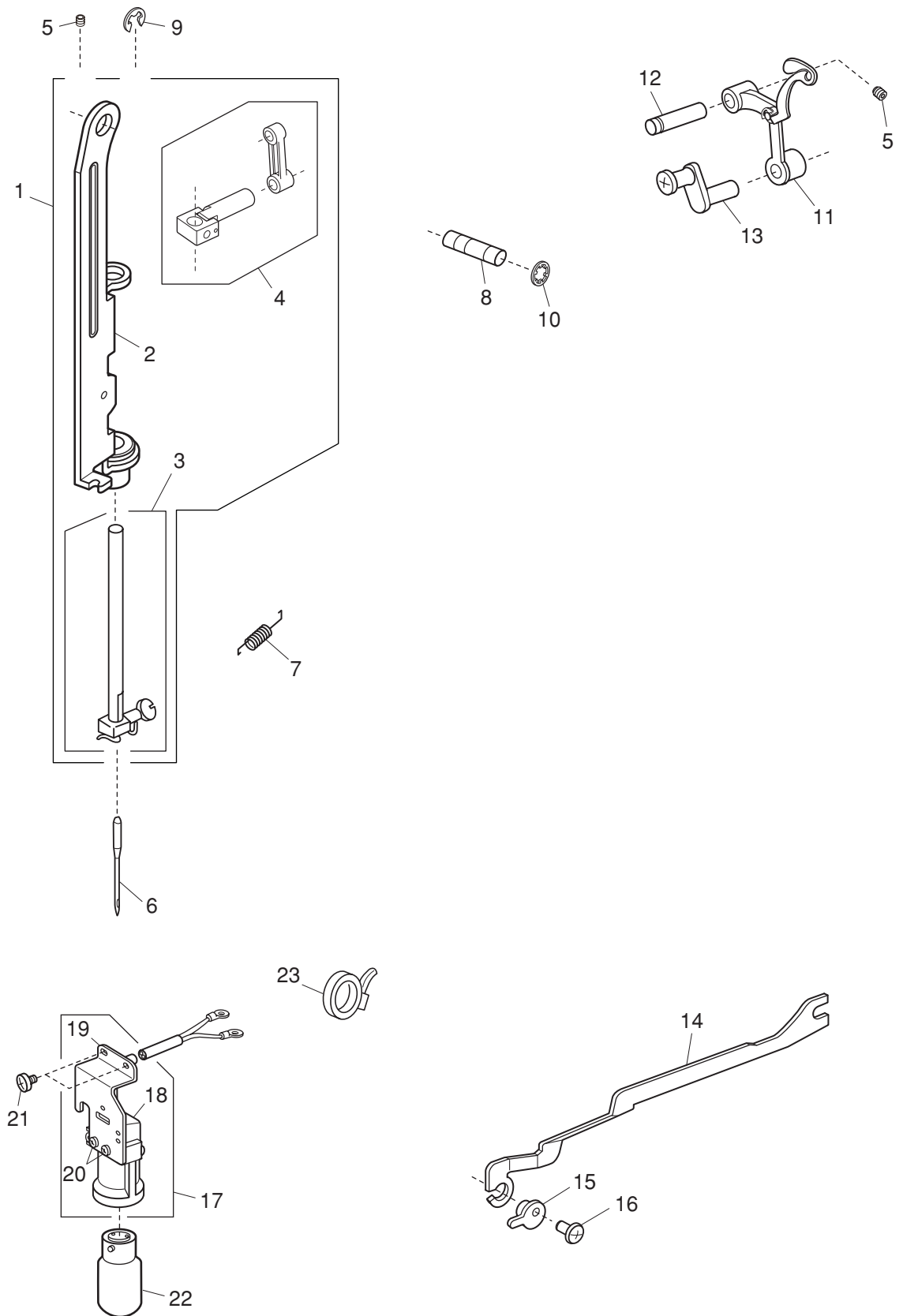
# PARTS LIST



## PARTS LIST

KEY NO.	PARTS NO.	DESCRIPTION
1	311605004	Presser bar base plate (unit)
2	311009002	Presser bar base plate
3	311031003	Needle drop adjusting plate
4	000115009	Setscrew TP 3x8
5	311023002	Nut
6	000070506	Washer
7	000138606	Bolt 4x10
8	000062402	Nut 4-2-7
9	735026001	Presser bar
10	735027002	Presser bar spring
11	735028003	Presser bar bracket
12	000111500	Hexagonal socket screw 4x8
13	311010006	Presser foot lifter
14	735030008	Tension release lever
15	000013903	Snap ring CS-5
16	000081005	Setscrew 4x8
17	310621003	Presser foot (unit)
18	310801009	Presser foot holder (unit)
19	301505002	Zigzag foot (unit)
20	660106001	Thumb screw
21	304610000	Tension release arm (unit)
22	739017001	Tension release arm base
23	304045008	Tension release arm
24	739019003	Tension release spring
25	000002105	Snap ring E-3
26	311501009	Tension assembly (unit)
27	739016000	Top cover thread guide
28	000103808	Setscrew 3x5
29	000101703	Setscrew 4x12

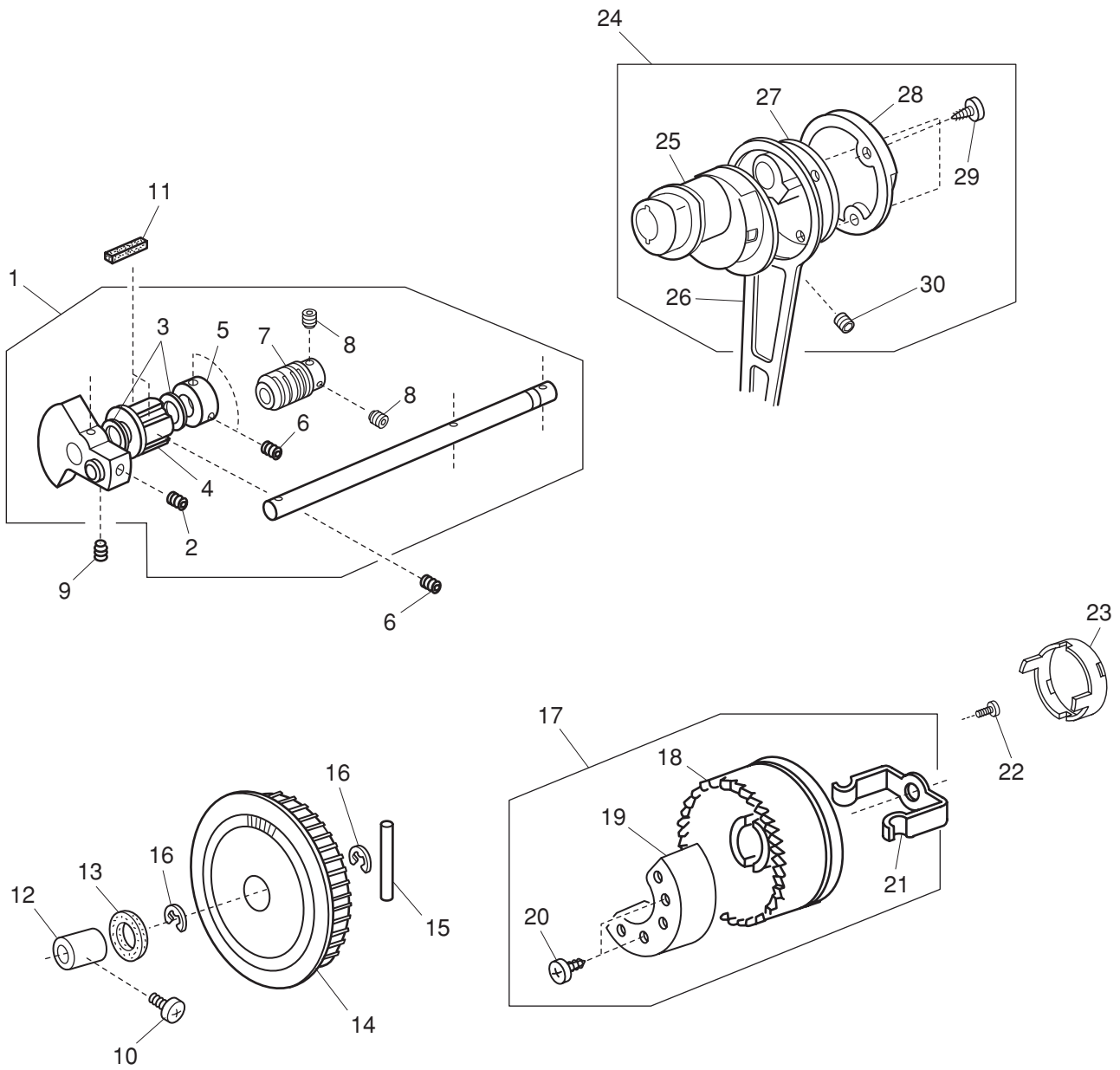
# PARTS LIST



## PARTS LIST

KEY NO.	PARTS NO.	DESCRIPTION
1	311609008	Needle bar supporter (unit)
2	743213002	Needle bar supporter
3	730503116	Needle bar (unit)
4	311502000	Needle bar connecting stud (unit)
5	000111304	Hexagonal socket screw 5x5
6	102408089	Needle HA 1-14
7	743216005	Needle bar supporter spring
8	310013109	Needle bar supporter pin
9	000001609	Snap ring E-5
10	000013800	Snap ring CS-6
11	625506109	Thread take-up lever (unit)
12	647040108	Thread take-up lever supporter pin
13	735504008	Needle bar crank (unit)
14	735119002	Zigzag rod
15	310041003	Eccentric plate
16	000078319	Setscrew 3x6
17	310622004	Lamp socket (unit)
18	655681009	Lamp socket (unit)
19	310065003	Face plate set plate
20	000120203	Setscrew 3x8 (B)
21	000081005	Setscrew 4x8
22	000009009	Lamp 240V 15W
23	000053008	Cord bind

# PARTS LIST

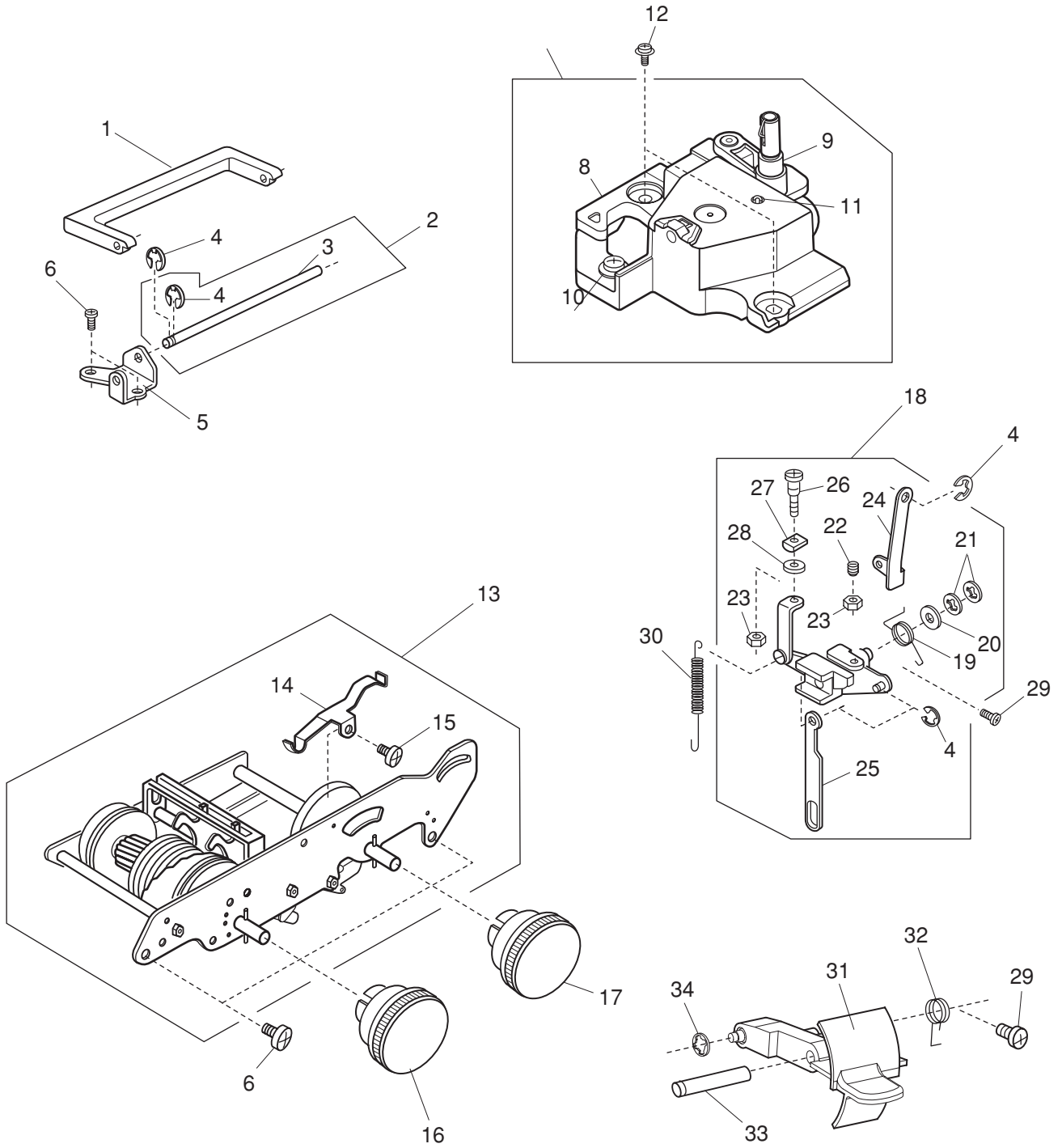




## PARTS LIST

KEY NO.	PARTS NO.	DESCRIPTION
1	304607406	Upper shaft (unit)
2	102073003	Setscrew
3	000036717	Thrust washer
4	732025001	Upper shaft front bushing
5	639095000	Ring
6	000111304	Hexagonal socket screw 5x5
7	751146101	Worm
8	000111201	Hexagonal socket screw 4x4
9	761052007	Setscrew
10	000172602	Setscrew 5x8
11	731312005	Felt
12	732003003	Upper shaft rear bushing
13	743029009	Felt
14	743019006	Belt wheel
15	000023803	Spring pin
16	000030205	Snap ring E-8
17	306605101	Handwheel (unit)
18	306105014	Handwheel
19	304050006	Balance weight
20	000107802	Tapping screw 3x14 (B)
21	639113016	Clutch spring
22	000081005	Setscrew 4x8
23	650070509	Clutch cap
24	304609006	Crank rod (unit)
25	304042005	Feed cam
26	743011008	Crank rod
27	304044007	Crank cam
28	304043006	Crank cam plate
29	000161309	Tapping screw 3x10 (B)
30	000110107	Hexagonal socket screw 5x5

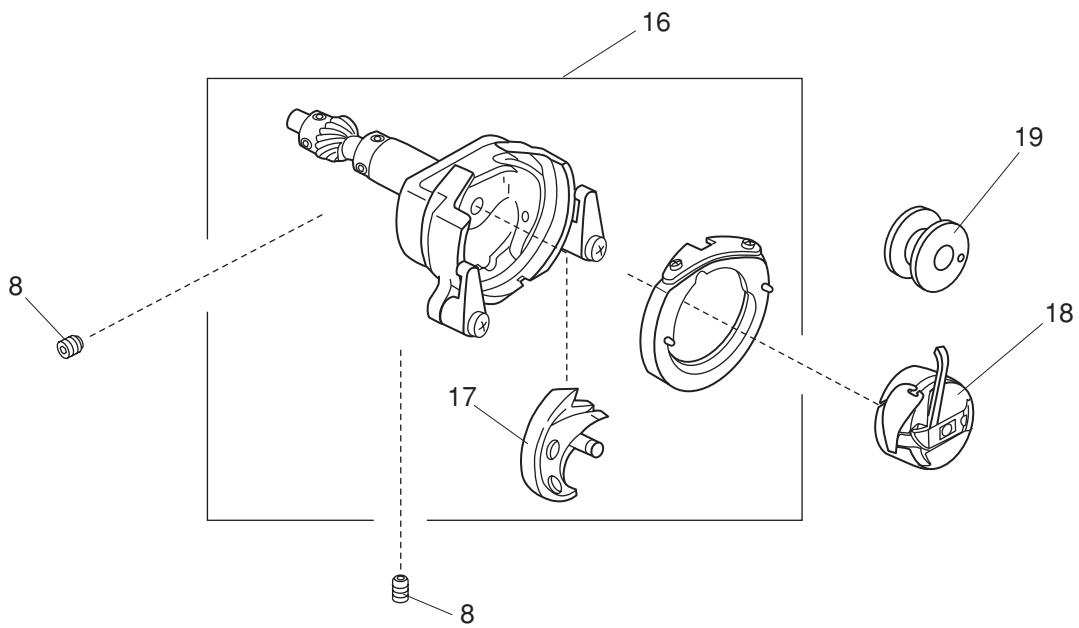
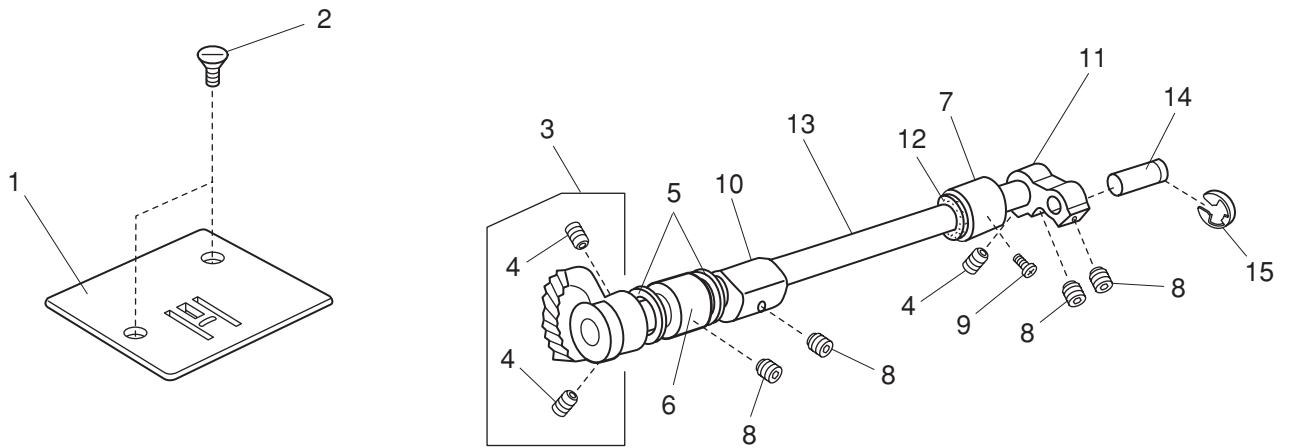
# PARTS LIST



## PARTS LIST

KEY NO.	PARTS NO.	DESCRIPTION
1	735017308	Handle
2	740624001	Carrying handle set pin (unit)
3	740011009	Handle shaft
4	000002105	Snap ting E-3
5	740010008	Handle supporter
6	000081005	Setscrew 4x8
7	---	Bobbin winder supporter (unit)
8	311011007	Bobbin winder base plate
9	311503001	Bobbin winder arm (unit)
10	000109103	Setscrew 4x12
11	740042009	Bobbin winder arm spring
12	000115607	TP screw 4x8
13	745606105	Zigzag mechanism (unit)
14	737011009	Index spring
15	000103808	Setscrew 3x5
16	306108A06	Pattern selector dial
17	306107A07	Stitch length dial
18	736604301	Feed regulator (unit)
19	735077007	Feed regulating body spring
20	735073003	Plain washer
21	000013800	Snap ring CS-6
22	648010009	Setscrew
23	000160102	Adjustable lock nut 4
24	739020007	Feed regulating rod
25	730045001	Reverse link
26	735074004	SS adjusting screw
27	735076006	SS rod block
28	000071013	Washer 4
29	000172602	Setscrew 5x8
30	670100006	Feed regulator spring
31	742007008	R button
32	739063002	R button spring
33	736015000	R button shaft
34	000014007	Snap ring CS-4

# PARTS LIST



## PARTS LIST

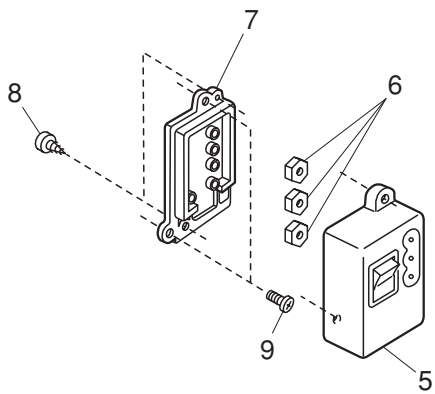
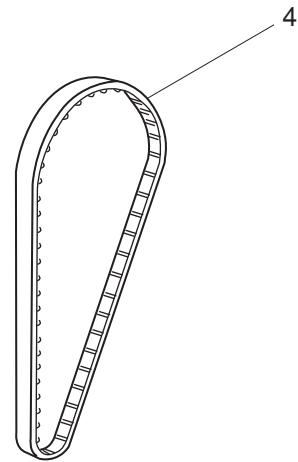
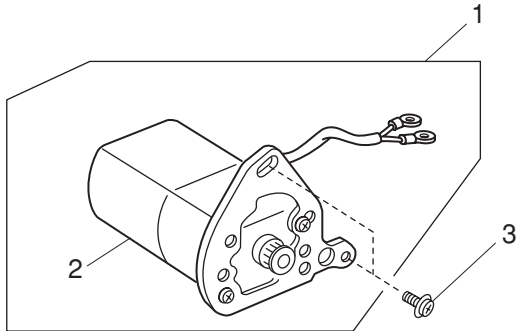
KEY NO.	PARTS NO.	DESCRIPTION
1	744004001	Needle plate
2	681009101	Setscrew
3	735950003	Lower shaft gear (unit)
4	000110107	Hexagonal socket screw 5x5 (WP)
5	000036201	Washer 80-0.5
6	735233003	Bushing (front)
7	735234004	Bushing (rear)
8	000111304	Hexagonal socket screw 5x5
9	000172602	Setscrew 5x8
10	735061008	Feed lifting cam
11	639036003	Lower shaft crank arm
12	822070003	Felt
13	735236006	Lower shaft
14	639037004	Pin
15	000001609	Snap ring E-5
16	735610101	Shuttle race body (unit)
17	532096007	Shuttle hook
18	647515006	Bobbin case (unit)
19	102261000	Bobbin



## PARTS LIST

KEY NO.	PARTS NO.	DESCRIPTION
1	735612000	Feed rock shaft (unit)
2	735078008	Feed rock shaft
3	735079009	Feed bar
4	735080003	Feed bar shaft
5	000002507	Snap ring E-4
6	000111201	Hexagonal socket screw 4x4
7	735081004	Feed dog
8	735082005	Setscrew
9	735083006	Feed bar spring
10	735084007	Feed rock shaft center
11	735085008	Feed rock shaft center plate
12	000101404	Setscrew 4x6
13	301608006	Feed lifting arm (unit)
14	301027005	Feed lifting arm
15	735087000	Feed lifting pin
16	735088001	Feed lifting roller
17	735089002	Feed lifting spring
18	735090006	Feed lifting shaft
19	000101703	Setscrew 4x12
20	739022009	Feed lifting shaft holder
21	000081119	Setscrew 4x6
22	743012009	Feed rod
23	743013000	Feed rod spring
24	735071104	Feed rock shaft connecting pin
25	000002806	Snap ring E-6
26	735276008	Ring
27	102141003	Feed regulator slide block

# PARTS LIST



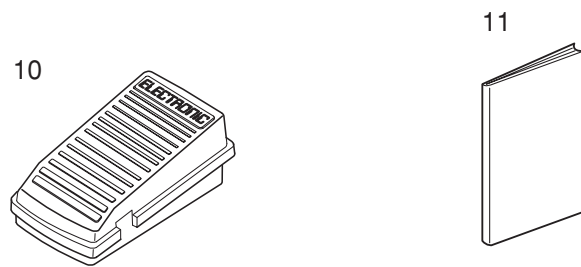
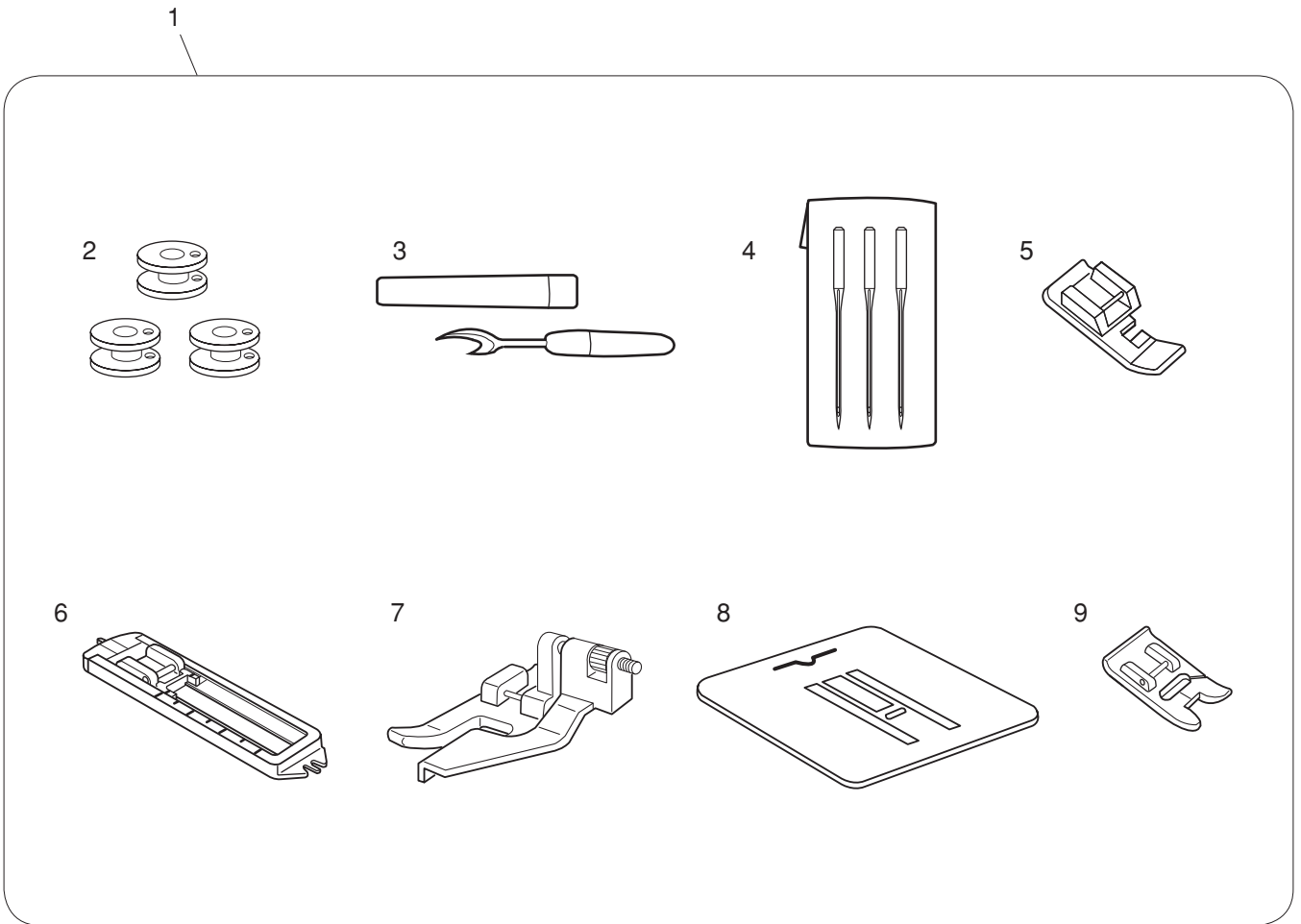


## PARTS LIST

KEY NO.	PARTS NO.	DESCRIPTION
1	743671024	Motor (unit)
2	025501025	Motor assy
3	000115504	Setscrew TP 5x10
4	650166008	Motor timing belt
5	739503308	Machine socket (unit)
6	000060802	Nut
7	739037007	Machine socket cover
8	000107802	Setscrew 3x10 (B)
9	000103509	Setscrew 4x10

**PREFISSO "J"**

# PARTS LIST



## PARTS LIST

KEY NO.	PARTS NO.	DESCRIPTION
1	311870057	Accessory set (unit)
2	102261000	Bobbin
3	647808009	Seam ripper
4	639804000	Needle set (unit)
5	611406002	Zipper foot (unit)
6	639801007	Buttonhole foot (unit)
7	611411000	Blind foot (unit)
8	735801008	Darning plate
9	743816001	Satin stitch foot (unit)
10	045501005	Foot control
11	311800388	Instruction book