

PARTS CATALOGUE

FOR

MODEL VX890

| REF. NO. | PARTS NO. | PARTS NAME | REF. NO. | PARTS NO. | PARTS NAME |
|----------|-----------|---------------------------------------|----------|-----------|------------------------------------|
| 1 | 138629101 | Face plate | 41 | X00134002 | Needle position slider |
| 2 | 062671614 | Screw | 42 | 062670412 | Screw |
| 3 | 025350134 | Washer | 43 | X00132001 | Slide shaft holder |
| 4 | 130128001 | Washer | 44 | 048030342 | Stop ring |
| 5 | 138630104 | Face plate decoration plate | 45 | X00133002 | Z Slider |
| 6 | 123518001 | Stop ring | 46 | 048030342 | Stop ring |
| 7 | 138641005 | Face plate decoration sheet | 47 | X00135000 | Spring presser plate |
| 8 | 062670612 | Screw | 48 | 123586001 | Spring washer |
| 9 | X50418001 | BH Stopper plate | 49 | X00210001 | Control frame body |
| 10 | 062670612 | Screw | 50 | 062680812 | Screw |
| 11 | 062680812 | Screw | 51 | 039280615 | Screw |
| 12 | 138642001 | Reflector | 52 | 040280615 | Screw |
| 13 | 131346001 | Lamp holder | 53 | 138668004 | Decoration plate base |
| 14 | | Sew-light assembly | 54 | 137336001 | Pattern cam shaft |
| 15 | | Sew-light bulb | 55 | 048060342 | Stop ring |
| 16 | X00138101 | Eccentric stud | 56 | 137323001 | Pattern cam assembly |
| 17 | X00136101 | Zigzag connecting rod assembly | 57 | 137324001 | Pattern cam |
| 18 | 124503002 | Spring | 58 | 137334000 | Idle cam |
| 19 | 048030342 | Stop ring | 59 | 137333000 | BH Cam |
| 20 | 123600080 | Roller | 60 | 137328000 | BH Cam |
| 21 | 102571003 | Nut | 61 | 137326000 | Feed control cam |
| 22 | X50372101 | Adjusting screw | 62 | 137335000 | SS Cam |
| 23 | X50169004 | Frame assembly | 63 | 128491001 | Washer |
| 24 | X00125001 | Zigzag adjusting lever assembly | 64 | X50272101 | Collar |
| 25 | 048090342 | Stop ring | 65 | 137073001 | Stitch regulating dial shaft joint |
| 26 | X50270001 | Zigzag link assembly | 66 | 060672512 | Screw |
| 27 | 048030342 | Stop ring | 67 | 025350332 | Washer |
| 28 | X00130001 | Zigzag width control plate, L | 68 | 137063001 | Cam stopper |
| 29 | X00129001 | Zigzag width control plate, R | 69 | 120454001 | Stop ring |
| 30 | 025660132 | Washer | 70 | 025350132 | Washer |
| 31 | 124303001 | Spring washer | 71 | 048030342 | Stop ring |
| 32 | 062660614 | Screw | 72 | 062670812 | Screw |
| 33 | 062670412 | Screw | 73 | X50274001 | Feed adjusting arm |
| 34 | X00215001 | F Slider guide | 74 | X50275001 | Feed control cam rod |
| 35 | X00211001 | Stitch regulating dial shaft assembly | 75 | 062671012 | Screw |
| 36 | 123586001 | Spring washer | 76 | 137340001 | Finger shaft assembly |
| 37 | X00213000 | F Slide gear | 77 | 120258001 | Screw |
| 38 | 048040342 | Stop ring | 78 | 137347001 | Finger frame |
| 39 | X00214002 | F Slider | 79 | 137191001 | Stop ring |
| 40 | X00216001 | Slide shaft | 80 | 120258001 | Screw |

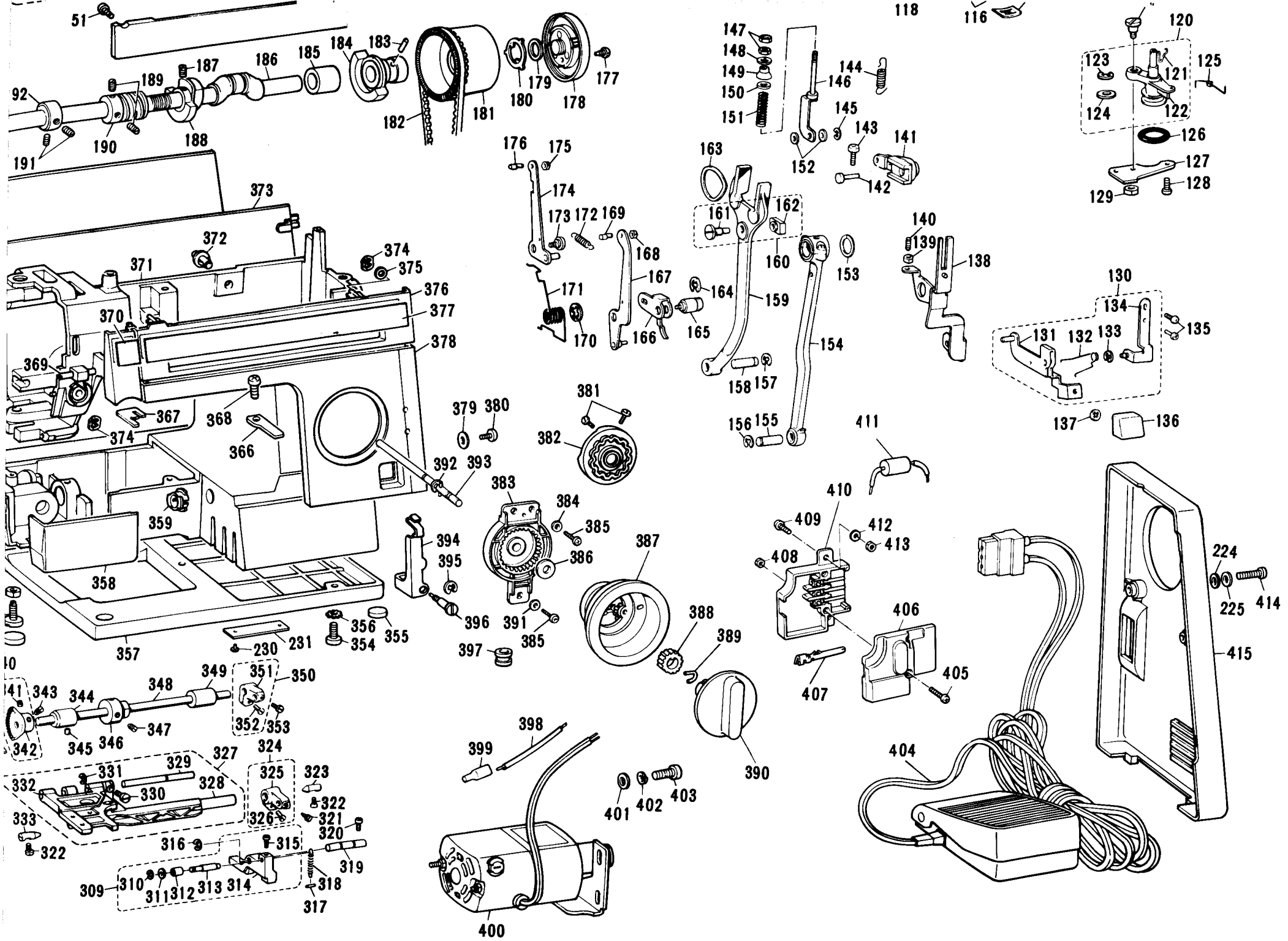
| REF. NO. | PARTS NO. | PARTS NAME | REF. NO. | PARTS NO. | PARTS NAME |
|----------|-----------|-------------------------------------|----------|-----------|--------------------------------|
| 81 | 137352001 | BH Finger assembly | 121 | 125928000 | Spring |
| 82 | 137027001 | Spring | 122 | X00141001 | Bobbin winder bracket assembly |
| 83 | 137358000 | BHZ Finger assembly | 123 | 048050342 | Stop ring |
| 84 | 137341001 | Z Finger frame | 124 | X00142001 | Washer |
| 85 | 137359001 | Spring | 125 | 123661001 | Spring |
| 86 | 103978002 | Screw | 126 | 120448001 | Bobbin winder rubber ring |
| 87 | 021670102 | Nut | 127 | 130094001 | Bobbin winder supporting plate |
| 88 | 021670102 | Nut | 128 | 037300815 | Screw |
| 89 | 021660102 | Nut | 129 | 021680202 | Nut |
| 90 | 137361001 | Release lever | 130 | X50132001 | Feed adjusting lever assembly |
| 91 | 137362001 | Finger shaft | 131 | X50133001 | Feed adjusting lever |
| 92 | 137364001 | Zigzag adjusting arm | 132 | X00187001 | Spring |
| 93 | 021660102 | Nut | 133 | 048030342 | Stop ring |
| 94 | 103978002 | Screw | 134 | 135395001 | Feed adjusting lever supporter |
| 95 | 025350132 | Washer | 135 | 062670612 | Screw |
| 96 | 028350243 | Spring washer | 136 | X00188001 | Reverse sewing button |
| 97 | 136982001 | Screw | 137 | 120454001 | Stop ring |
| 98 | 137363001 | Spring | 138 | X50127001 | Feed regulator adjusting plate |
| 99 | 138628001 | Top cover | 139 | 021660102 | Nut |
| 100 | 062671004 | Screw | 140 | 136150001 | Screw |
| 101 | 130894001 | Bobbin winder thread guide assembly | 141 | X50167001 | Feed regulator assembly |
| 102 | X00155001 | Top cover thread guide | 142 | 123547000 | Feed regulator stud |
| 103 | 135337002 | Carrying handle | 143 | 062681212 | Screw |
| 104 | 103366001 | Felt | 144 | X00192001 | Spring |
| 105 | 188058001 | Spool pin | 145 | 048030342 | Stop ring |
| 106 | 188059001 | Spool pin stand | 146 | 137313001 | Feed adjusting bar assembly |
| 107 | 136937081 | Screw | 147 | 102571003 | Nut |
| 108 | 062671614 | Screw | 148 | 025680232 | Washer |
| 109 | 121846001 | Bobbin presser | 149 | 128507001 | Collar |
| 110 | 121857001 | Nut | 150 | 113431002 | Washer |
| 111 | 189908001 | Stop ring | 151 | 128506001 | Spring |
| 112 | 188060001 | Spring | 152 | 103813001 | Washer |
| 113 | 049500145 | Speed nut | 153 | 118519081 | Washer |
| 114 | 135338001 | Carrying handle shaft | 154 | 128461001 | Crank rod assembly |
| 115 | 117851001 | Washer | 155 | 129991001 | Stud |
| 116 | 048030342 | Stop ring | 156 | 048050342 | Stop ring |
| 117 | 062670612 | Screw | 157 | 048050342 | Stop ring |
| 118 | 121857001 | Nut | 158 | 129991001 | Stud |
| 119 | 120263001 | Stud screw | 159 | 130870001 | Forked connecting rod |
| 120 | X00140001 | Bobbin winder assembly | 160 | 115234001 | Slide block assembly |

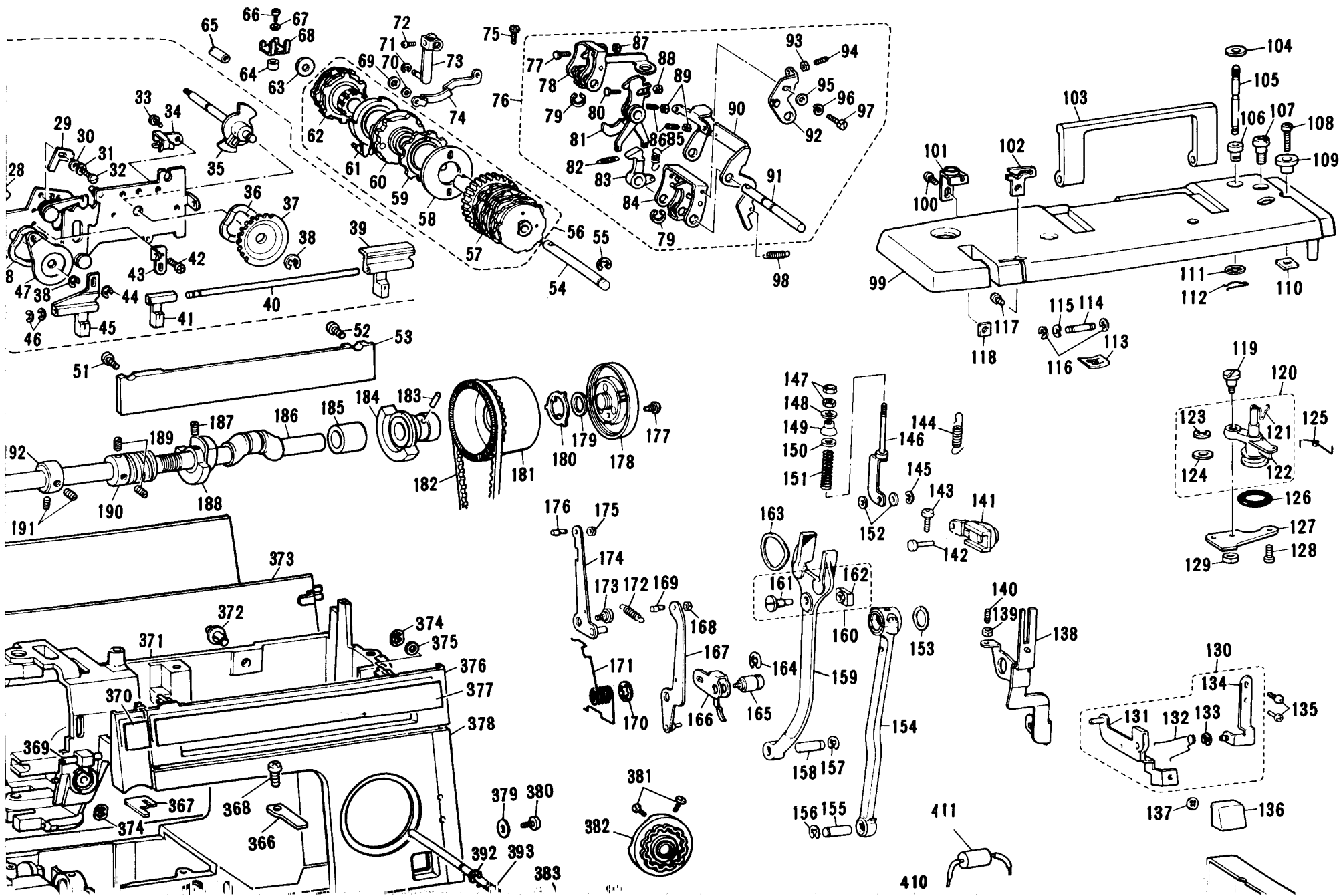
| REF. NO. | PARTS NO. | PARTS NAME | REF. NO. | PARTS NO. | PARTS NAME |
|----------|-----------|------------------------------|----------|-----------|--------------------------------|
| 161 | 100067001 | Slide block stud | 201 | 138288001 | Thread take-up lever assembly |
| 162 | 100066001 | Slide block | 202 | 120582001 | Needle bar crank |
| 163 | 124616000 | Washer | 203 | 129919001 | Needle bar crank rod assembly |
| 164 | 048070342 | Stop ring | 204 | 129920000 | Needle bar crank rod |
| 165 | X00230001 | Stud shaft | 205 | 120109001 | Needle bar clamp |
| 166 | X00168001 | F Selecting lever, B | 206 | 120108001 | Needle bar clamp stud |
| 167 | X00164001 | Z Selecting lever assembly | 207 | 100366002 | Screw |
| 168 | 102571003 | Nut | 208 | 100507000 | Metal plate |
| 169 | 123645001 | Screw | 209 | 132051002 | Screw |
| 170 | 124246001 | Stop ring | 210 | 136997001 | BH Spring |
| 171 | 130897001 | Spring | 211 | 137337001 | BH Stopper assembly |
| 172 | 138473001 | Spring | 212 | 062670612 | Screw |
| 173 | 129569001 | Stud screw | 213 | 062670612 | Screw |
| 174 | X00166001 | F Selecting lever A assembly | 214 | 025350332 | Washer |
| 175 | 102571003 | Nut | 215 | 136996001 | BH Notched spring |
| 176 | 123645001 | Screw | 216 | 062670612 | Screw |
| 177 | 100043003 | Stop motion knob screw | 217 | 136994001 | BH Change arm |
| 178 | 138652001 | Stop motion knob | 218 | 120653001 | Cord bush |
| 179 | 125096081 | Washer | 219 | 136995001 | BH Change shaft |
| 180 | X50792001 | Stop motion washer | 220 | 048020342 | Stop ring |
| 181 | 138635001 | Balance wheel | 221 | 025350132 | Washer |
| 182 | 130944001 | Belt | 222 | 120454001 | Stop ring |
| 183 | 120438001 | Pin | 223 | 048050342 | Stop ring |
| 184 | 131030000 | Balance wheel bushing | 224 | 130128001 | Washer |
| 185 | 131189000 | Upper shaft bushing, R | 225 | 025350134 | Washer |
| 186 | 128433000 | Upper shaft | 226 | 137001001 | Spring |
| 187 | 151605001 | Screw | 227 | 062670612 | Screw |
| 188 | 130081000 | Feed cam | 228 | X50170001 | BH Lever assembly |
| 189 | 151602001 | Screw | 229 | 131428001 | BH Lever plate |
| 190 | 137301001 | Worm | 230 | 116231001 | Pin |
| 191 | 101706003 | Set screw | 231 | 122995001 | Machine number plate |
| 192 | 132951000 | Set collar | 232 | 048050342 | Stop ring |
| 193 | 188440001 | Washer | 233 | 138655001 | Presser foot lifter |
| 194 | 131188000 | Upper shaft bushing, L | 234 | 138656001 | Stud screw |
| 195 | 060680503 | Screw | 235 | 130869001 | Patch-O-Matic presser adjuster |
| 196 | 101706003 | Screw | 236 | 138653001 | Presser bar spring |
| 197 | 100251001 | Screw | 237 | 062671004 | Screw |
| 198 | 129559001 | Screw | 238 | X00153001 | Tension releaser |
| 199 | 124614000 | Eccentric counter weight | 239 | 129569001 | Stud screw |
| 200 | 151604001 | Screw | 240 | 138654001 | Presser bar bracket |

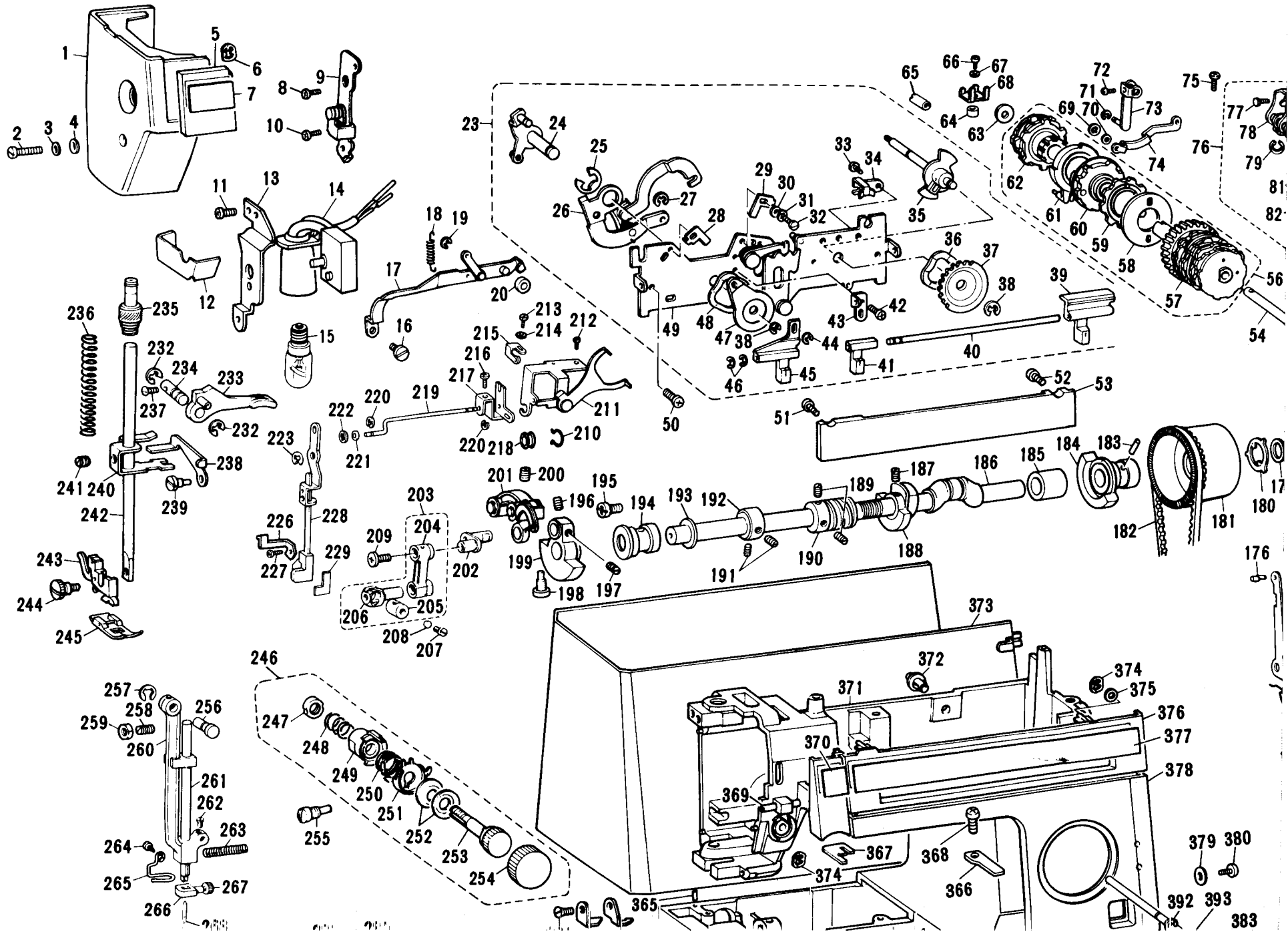
| REF. NO. | PARTS NO. | PARTS NAME | REF. NO. | PARTS NO. | PARTS NAME |
|----------|-----------|--------------------------------|----------|-----------|------------------------------------|
| 241 | 151605001 | Screw | 281 | 062670612 | Screw |
| 242 | 130948000 | Presser bar | 282 | 116577001 | Cover |
| 243 | 138134001 | Presser foot holder | 283 | 130885001 | Shuttle driver shaft gear assembly |
| 244 | 129984001 | Thumb screw | 284 | 130886000 | Shuttle driver shaft gear |
| 245 | 138135001 | Zigzag presser foot | 285 | 106288002 | Screw |
| 246 | X00144204 | Upper tension complete | 286 | 013689412 | Screw |
| 247 | X00149001 | Tension control nut | 287 | 014680422 | Screw |
| 248 | X00152001 | Tension spring | 288 | 131454001 | Set collar |
| 249 | X00146200 | Tension control bushing | 289 | 128468001 | Shuttle race assembly |
| 250 | X00151001 | Thread take-up spring | 290 | 125514001 | Screw |
| 251 | X00150001 | Tension disc washer | 291 | 128473001 | Shuttle race top spring |
| 252 | 139262001 | Tension disc | 292 | 128471001 | Shuttle race ring |
| 253 | X00147001 | Tension control stud | 293 | 128469001 | Shuttle race body |
| 254 | X00145004 | Tension control knob | 294 | 102927000 | Pin |
| 255 | X50065001 | Screw | 295 | 128472001 | Pin |
| 256 | 129560001 | Needle bar supporter stud | 296 | 122977001 | Washer |
| 257 | 048050342 | Stop ring | 297 | 128474001 | Set lever, L |
| 258 | 151607001 | Screw | 298 | 128475001 | Set lever, R |
| 259 | 021680202 | Nut | 299 | 128476001 | Spring |
| 260 | 128599001 | Needle bar supporter | 300 | 128477001 | Stud screw |
| 261 | 136872001 | Needle bar | 301 | 121007001 | Screw |
| 262 | 123185001 | Screw | 302 | 128465001 | Shuttle driver assembly |
| 263 | 120110001 | Spring | 303 | 121632001 | Screw |
| 264 | 100139001 | Screw | 304 | 122429001 | Shuttle driver spring |
| 265 | 128391001 | Needle bar thread guide | 305 | 128466001 | Shuttle driver |
| 266 | 129627001 | Needle clamp | 306 | 128581001 | Shuttle hook |
| 267 | 131226001 | Needle clamp screw | 307 | 128478001 | Bobbin |
| 268 | 100028014 | Needle #14 | 308 | 128582083 | Bobbin case assembly |
| 269 | 130967001 | Needle plate assembly | 309 | 130873001 | Vertical feed assembly |
| 270 | 130936001 | Needle plate | 310 | 048030342 | Stop ring |
| 271 | 116587001 | Needle plate spring, R | 311 | 100579003 | Washer |
| 272 | 125139001 | Screw | 312 | 123865000 | Vertical feed roller |
| 273 | 116588001 | Needle plate spring, L | 313 | 130875001 | Vertical feed roller shaft |
| 274 | 124610004 | Upper plate | 314 | 130874001 | Vertical feed arm |
| 275 | 062671004 | Screw | 315 | 120990001 | Screw |
| 276 | 138643001 | Accessory table assembly | 316 | 048050342 | Stop ring |
| 277 | 138644001 | Accessory table notched spring | 317 | 100175000 | Pin |
| 278 | 138633001 | Accessory table | 318 | 118352001 | Spring |
| 279 | 138634001 | Accessory table cover | 319 | 130876000 | Vertical feed shaft |
| 280 | 139100001 | Gear cover | 320 | 120990001 | Screw |

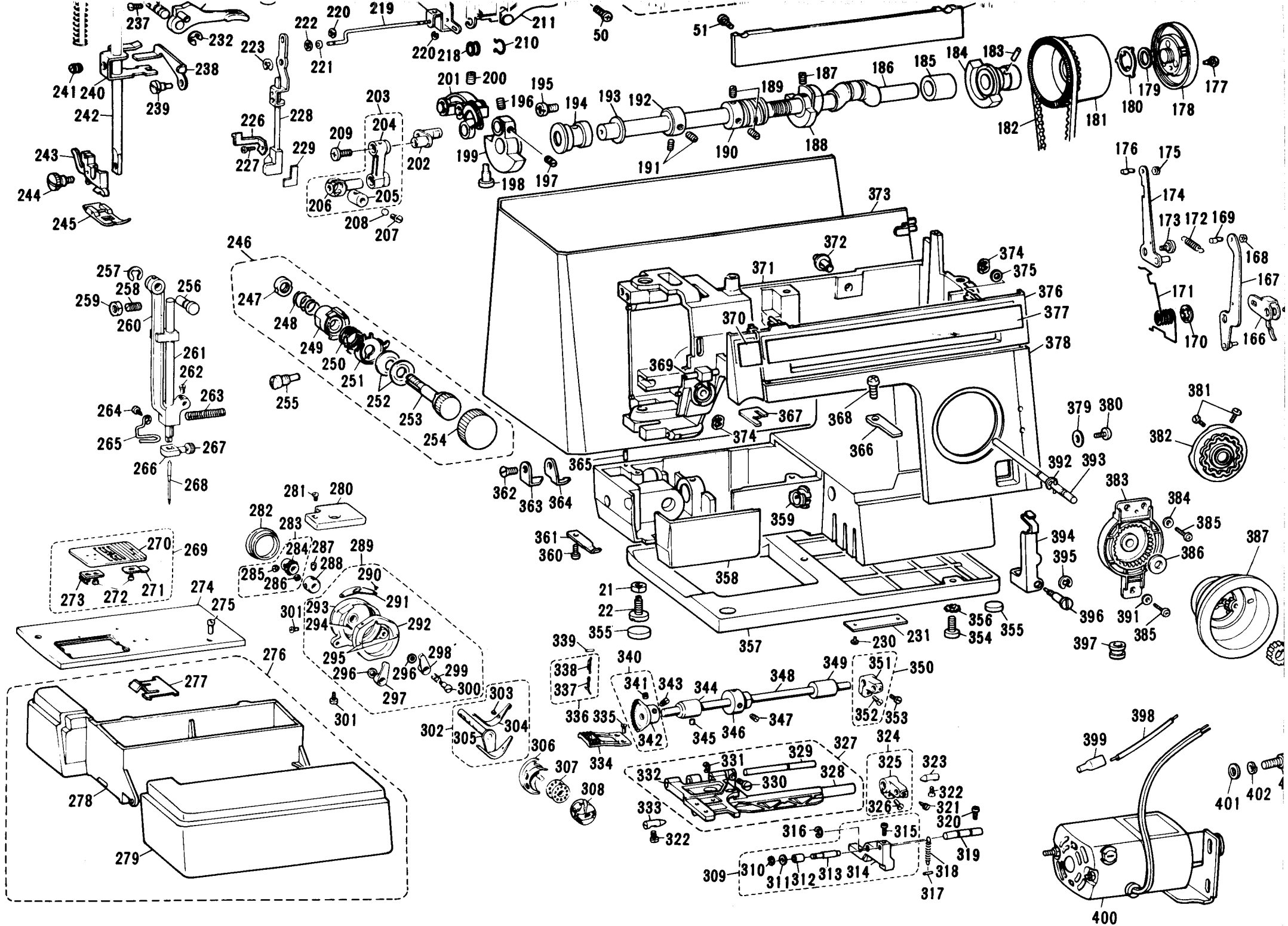
| REF. NO. | PARTS NO. | PARTS NAME | REF. NO. | PARTS NO. | PARTS NAME |
|----------|-----------|--|----------|-----------|---------------------------------------|
| 321 | 131331081 | Screw | 361 | 137646001 | Spring |
| 322 | 120990001 | Screw | 362 | 131337001 | Screw |
| 323 | 102436001 | Taper point stud | 363 | 120340081 | Thread guide |
| 324 | 129893001 | Horizontal feed shaft arm assembly | 364 | 120339081 | Thread guide |
| 325 | 129894001 | Horizontal feed shaft arm | 365 | 129180001 | Spring pin |
| 326 | 062681412 | Screw | 366 | X50417001 | Arm panel presser plate |
| 327 | 130871001 | Horizontal feed rocking shaft assembly | 367 | X00154001 | Thread guide |
| 328 | 120995000 | Horizontal feed rocking shaft | 368 | 062670612 | Screw |
| 329 | 120997000 | Feed bar shaft | 369 | 047413650 | Spring pin |
| 330 | 100366002 | Screw | 370 | 138649003 | Arm decoration sheet B |
| 331 | 048040342 | Stop ring | 371 | X50898001 | Armbed assembly |
| 332 | 130872000 | Feed bar | 372 | 132163001 | Machine cover hook |
| 333 | 116605001 | Taper point stud | 373 | X00156001 | Sewing machine cover |
| 334 | 129373001 | Feed dog | 374 | 123518001 | Stop ring |
| 335 | 100080003 | Screw | 375 | 025040335 | Washer |
| 336 | 181779001 | Spring hanger assembly | 376 | X00203003 | Arm decoration plate |
| 337 | 120998001 | Spring hanger | 377 | X50894001 | Arm decoration sheet A |
| 338 | 503154001 | Spring | 378 | X00206001 | Arm panel |
| 339 | 102927000 | Pin | 379 | 025350236 | Washer |
| 340 | 130883001 | Lower shaft gear assembly - | 380 | 060670802 | Screw |
| 341 | 151602001 | Screw | 381 | 062670512 | Screw |
| 342 | 130884000 | Lower shaft gear | 382 | 138543001 | Selecting cam |
| 343 | 131139081 | Screw | 383 | 132864000 | Gear box for pattern selecting dial |
| 344 | 131191000 | Lower shaft bushing, L | 384 | 025350332 | Washer |
| 345 | 151604001 | Screw | 385 | 062670812 | Screw |
| 346 | 130877000 | Vertical feed cam | 386 | 128491001 | Washer |
| 347 | 100251001 | Screw | 387 | X50041015 | Selecting dial frame |
| 348 | 124633000 | Lower shaft | 388 | 132865000 | Drive gear |
| 349 | 131190000 | Lower shaft bushing, R | 389 | 132871001 | Stopper spring |
| 350 | 129624001 | Lower shaft crank assembly | 390 | X00173001 | Selecting dial |
| 351 | 129625001 | Lower shaft crank | 391 | 025350132 | Washer |
| 352 | 062681412 | Screw | 392 | 048050342 | Stop ring |
| 353 | 120990001 | Screw | 393 | 137400001 | Pattern selecting dial shaft assembly |
| 354 | 060711212 | Screw | 394 | X00162001 | Releaser lever |
| 355 | 130157002 | Rubber cushion for base plate | 395 | 048050342 | Stop ring |
| 356 | 124242001 | Washer | 396 | X00163001 | Release lever shaft |
| 357 | 138632101 | Base plate | 397 | 120681001 | Cord bushing |
| 358 | 130848001 | Hinged door | 398 | X00234001 | Lead wire |
| 359 | 130963001 | Guide ring | 399 | 214808000 | Connector |
| 360 | 060670406 | Screw | 400 | | Motor complete |

| REF. NO. | PARTS NO. | PARTS NAME | REF. NO. | PARTS NO. | PARTS NAME |
|----------|-----------|---------------------|----------|-----------|------------|
| 401 | 100579003 | Washer | | | |
| 402 | 028050242 | Spring washer | | | |
| 403 | 060711212 | Screw | | | |
| 404 | | Controller complete | | | |
| 405 | 062301602 | Screw | | | |
| 406 | 138597001 | 3P Socket cover | | | |
| 407 | 138598000 | Contact pin | | | |
| 408 | 021300106 | Nut | | | |
| 409 | 060681204 | Screw | | | |
| 410 | 138596001 | 3P Socket body | | | |
| 411 | 122499001 | Condenser | | | |
| 412 | 025680133 | Washer | | | |
| 413 | 021680106 | Nut | | | |
| 414 | 062671614 | Screw | | | |
| 415 | 138631001 | Belt cover | | | |









VX890
H8010568