

# **PARTS REFERENCE LIST**

**FOR**

**MODEL VX516**

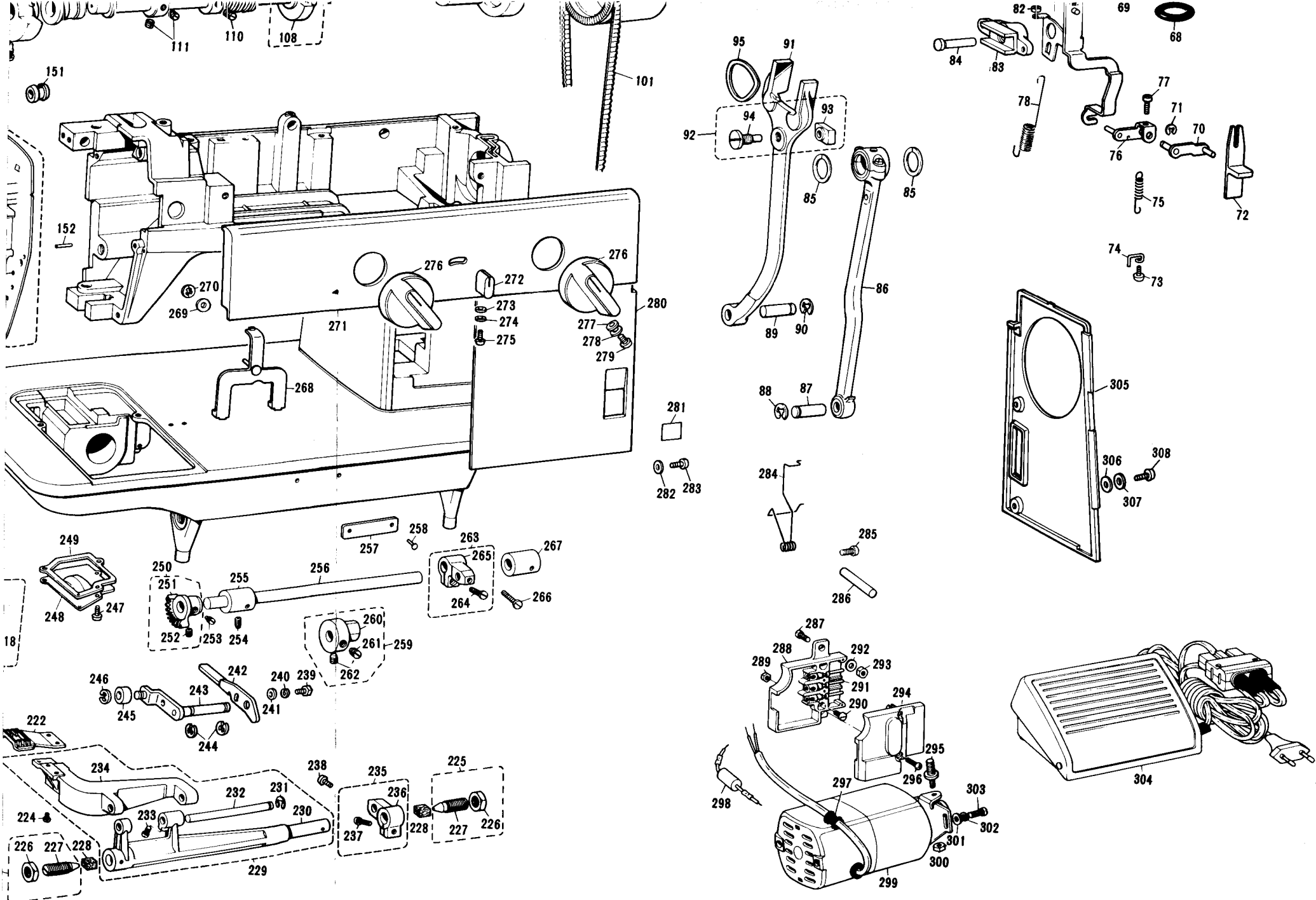
Please clarify Ref. No. and  
Parts No. as well as parts name  
When you place an order.

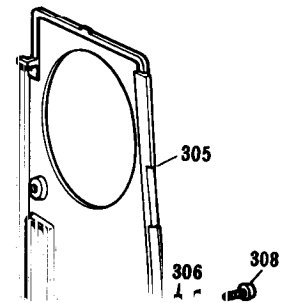
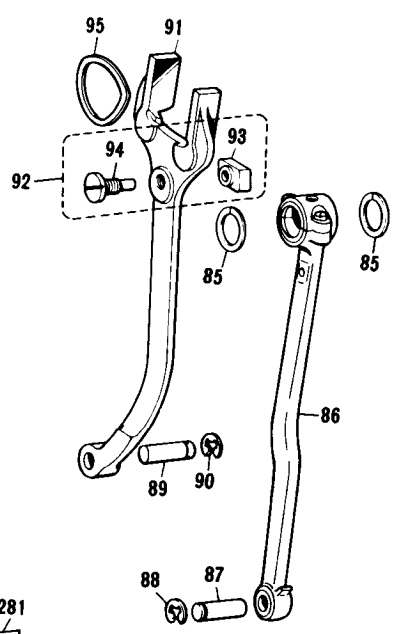
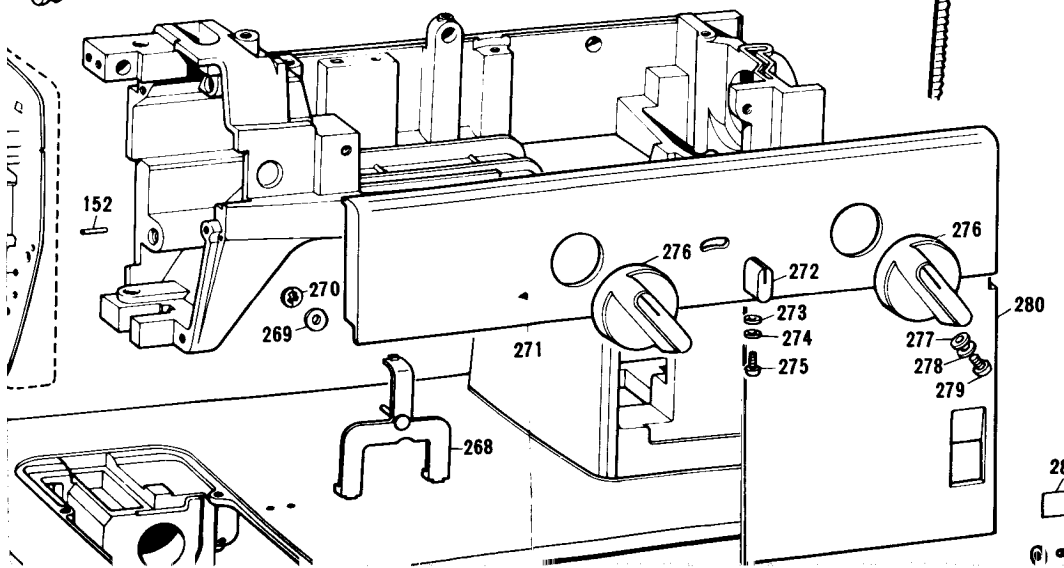
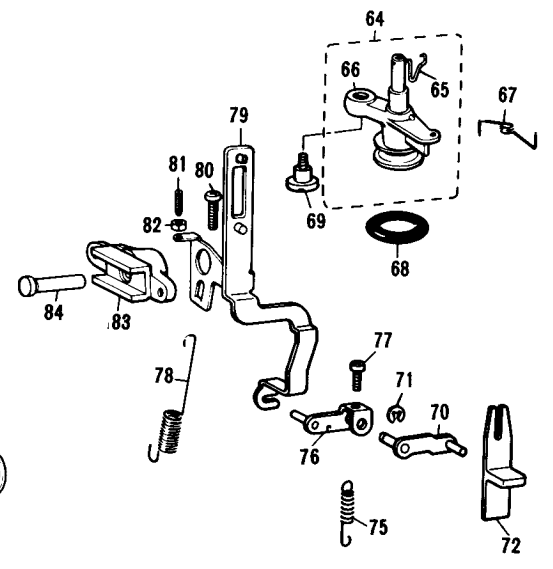
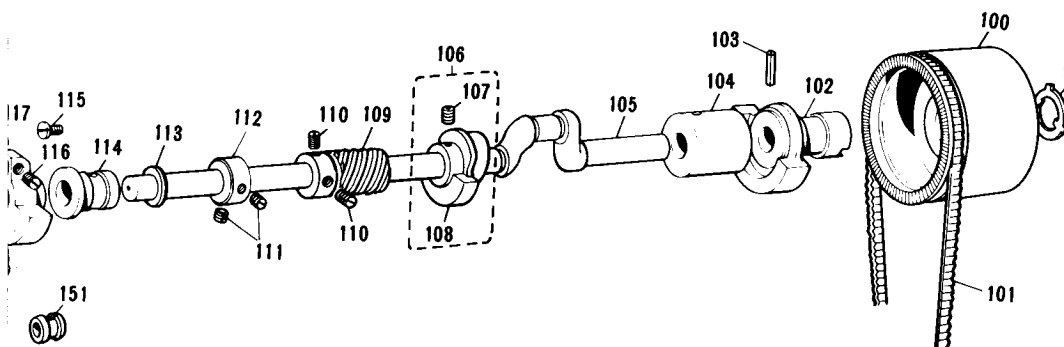
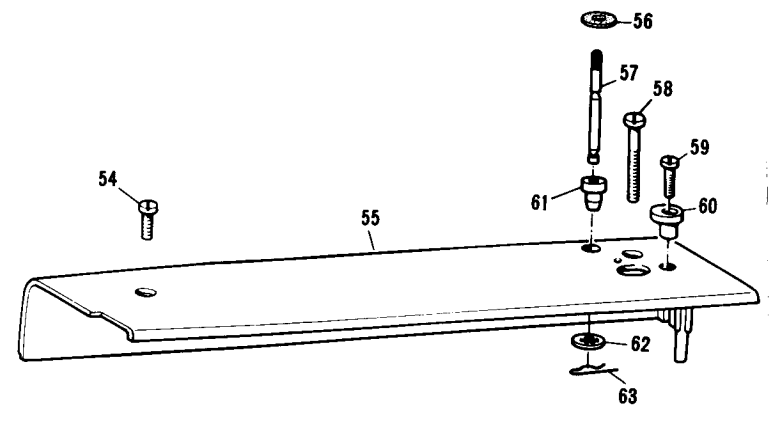
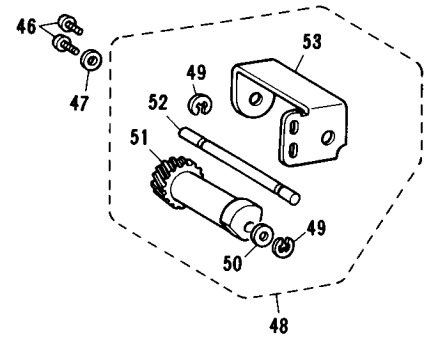
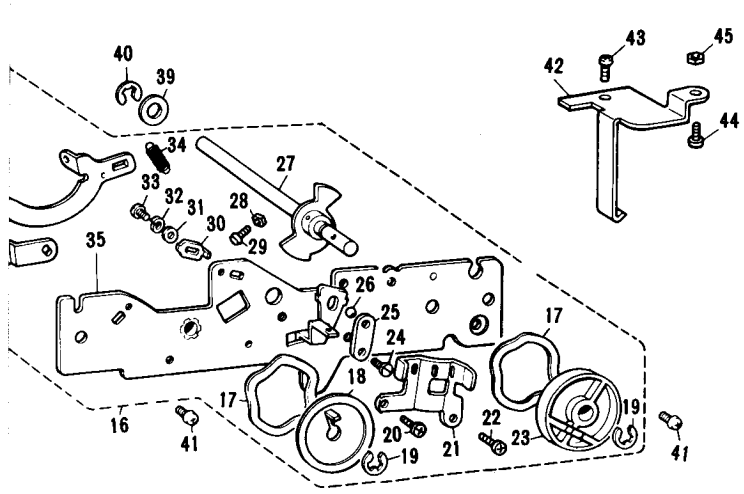
REF. NO.	PARTS NO.	PARTS NAME	REF. NO.	PARTS NO.	PARTS NAME
1	131631001	Face plate	41	002680712	Screw
2	131632001	Face plate decoration plate	42	129604001	Cord guide plate
3	120094001	Face plate hinge	43	002670612	Screw
4	117838001	Washer	44	120258001	Screw
5	009670812	Screw	45	021670102	Nut
6	002680712	Screw	46	002670612	Screw
7		Sew-light assembly	47	025350132	Washer
8	123516001	Face plate spring	48	129600001	Zigzag cam assembly
9	002670612	Screw	49	048040342	Stop ring
10	205336000	Sew-light bulb	50	109763002	Washer
11	105433001	Eccentric stud	51	129602000	Zigzag cam
12	123597001	Zigzag connecting rod assembly	52	129603000	Zigzag cam shaft
13	124503002	Spring	53	129601001	Zigzag cam frame
14	048030342	Stop ring	54	060681204	Screw
15	123600000	Roller	55	131629001	Top cover
16	131750001	Frame assembly	56	103366001	Felt
17	123586001	Spring washer	57	188058001	Spool pin
18	123584001	Dial stopper	58	060684004	Screw
19	048040342	Stop ring	59	062671614	Screw
20	002670412	Screw	60	121846001	Bobbin presser
21	123702001	Needle position stopper	61	188059001	Spool pin stand
22	002671012	Screw	62	189908001	Stop ring
23	131650001	Spring presser plate	63	188060001	Spring
24	110215002	Screw	64	124466001	Bobbin winder assembly
25	124699001	Needle position notched spring	65	125928000	Spring
26	101026001	Steel ball	66	124467001	Bobbin winder bracket assembly
27	131751001	Stitch regulating dial shaft	67	123661001	Spring
28	021670102	Nut	68	120448001	Bobbin winder rubber ring
29	129595001	Adjusting screw	69	120263001	Stud screw
30	123589001	Zigzag width control plate	70	131641001	Feed regulating lever shaft assembly
31	025660132	Washer	71	048040342	Stop ring
32	124303001	Washer	72	131636001	Feed regulator slide knob
33	009660613	Screw	73	002670612	Screw
34	129654001	Spring	74	130995001	Spring hanger
35	129598001	Control frame body	75	130977001	Spring
36	129593001	Zigzag link assembly	76	130974001	Feed regulating lever arm
37	048090342	Stop ring	77	002671012	Screw
38	131646001	Zigzag adjusting lever assembly	78	139466001	Spring
39	025060132	Washer	79	131161001	Feed regulator adjusting plate
40	048040342	Stop ring	80	002681212	Screw

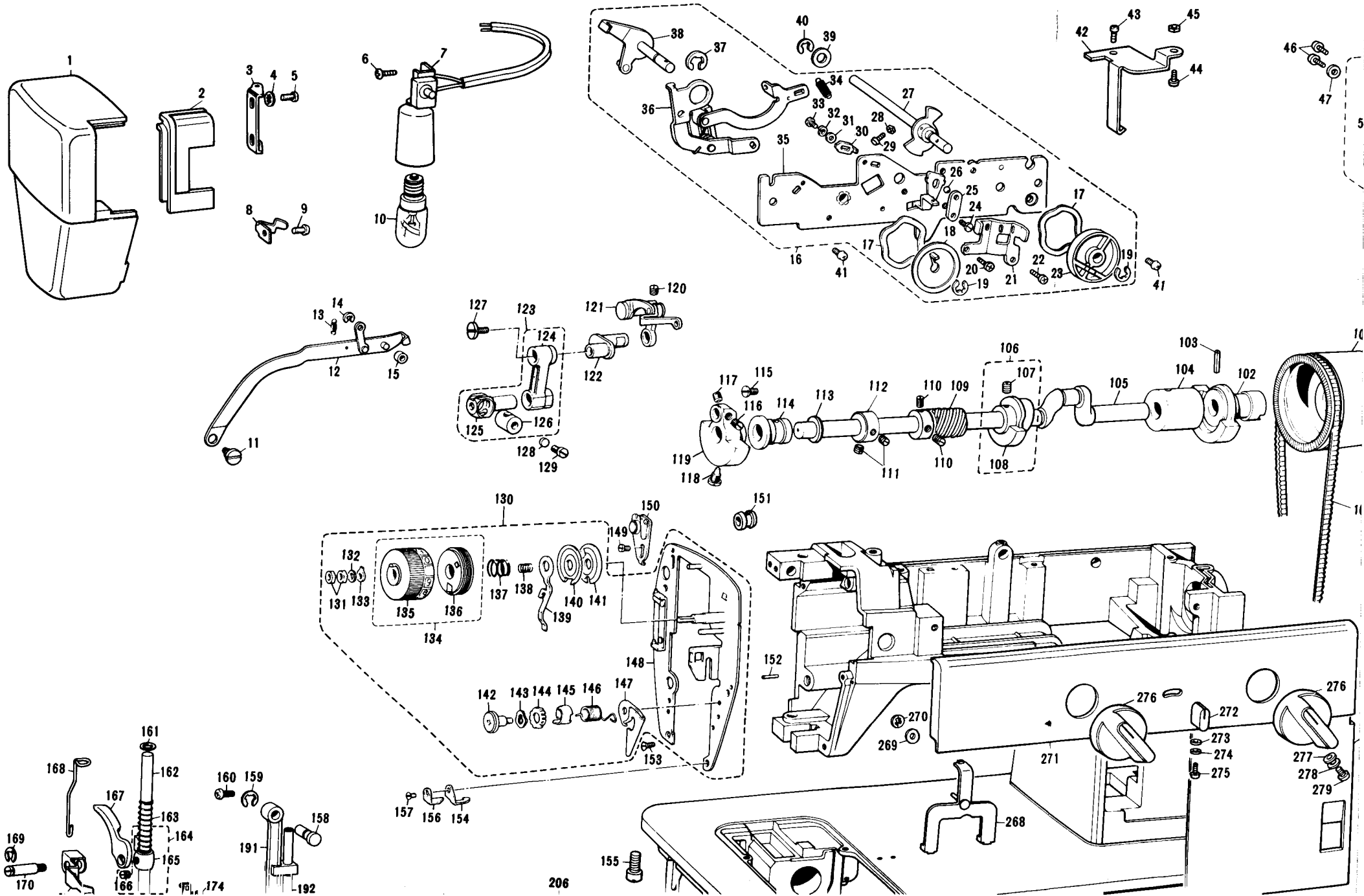
REF. NO.	PARTS NO.	PARTS NAME	REF. NO.	PARTS NO.	PARTS NAME
81	103978002	Screw	121	129561001	Thread take-up lever assembly
82	021660102	Nut	122	120582001	Needle bar crank
83	125727000	Feed regulator	123	129919001	Needle bar crank rod assembly
84	123547000	Feed regulator stud	124	129920000	Needle bar crank rod
85	118519001	Washer	125	120108001	Needle bar clamp stud
86	129622001	Crank rod assembly	126	120109001	Needle bar clamp
87	129991001	Stud	127	132051002	Screw
88	048050342	Stop ring	128	100507000	Metal plate
89	129991001	Stud	129	100366002	Screw
90	048050342	Stop ring	130	131658001	Thread guard assembly
91	129616001	Forked connecting rod	131	021680202	Nut
92	115234001	Slide block assembly	132	110735001	Washer
93	100066001	Slide block	133	120329001	Tension control knob stopper
94	100067001	Slide block stud	134	130979004	Tension control knob assembly
95	124616000	Washer	135	130980004	Tension control knob
96	100043003	Stop motion knob screw	136	130981001	Tension control ring
97	132170001	Stop motion knob	137	129993001	Tension spring
98	125096001	Washer	138	125275001	Spring
99	100041002	Stop motion washer	139	125302001	Tension releaser, B
100	130864005	Balance wheel	140	125270001	Tension disc
101	123670001	Belt	141	125269001	Tension disc
102	131030000	Balance wheel bushing	142	129581001	Stud screw
103	120438001	Pin	143	120265001	Spring washer
104	131189000	Upper shaft bushing, R	144	120435002	Thread take-up spring case, A
105	129343000	Upper shaft	145	120436002	Thread take-up spring case, B
106	131335001	Feed cam assembly	146	120337001	Thread take-up spring
107	151605001	Screw	147	120336001	Thread take-up spring cover
108	130081000	Feed cam	148	128552001	Thread guard plate assembly
109	102466000	Spiral gear	149	060660314	Screw
110	102716001	Screw	150	131659001	Bobbin winder thread guide assembly
111	101706003	Screw	151	120653001	Cord bush
112	132951000	Collar	152	123513000	Spring pin
113	188440001	Washer	153	131337001	Screw
114	131188000	Upper shaft bushing, L	154	120339001	Thread guide
115	129558001	Screw	155	122725001	Screw
116	100251001	Screw	156	120340001	Thread guide
117	101706003	Screw	157	131337001	Screw
118	129559001	Screw	158	129560001	Needle bar supporter stud
119	122421000	Eccentric counter weight	159	048050342	Stop ring
120	151604001	Screw	160	002681012	Screw

REF. NO.	PARTS NO.	PARTS NAME	REF. NO.	PARTS NO.	PARTS NAME
161	100052001	Washer	201	101706003	Screw
162	128437000	Presser bar	202	014680422	Screw
163	125162001	Presser bar spring	203	131454001	Collar
164	136706001	Presser bar guide bracket assembly	204	151604001	Screw
165	136707000	Presser bar guide bracket	205	100289003	Screw
166	100058003	Screw	206	139590001	Shuttle race assembly
167	125165003	Presser foot lifter	207	128477001	Stud screw
168	125247001	Presser adjusting rod	208	128476001	Spring
169	048050342	Stop ring	209	128474001	Set lever, L
170	121195001	Stud for presser foot lifter	210	139588001	Shuttle race body
171	125248001	Presser adjusting lever	211	100105004	Screw
172	121194003	Presser adjusting lever knob	212	129659001	Shuttle race top spring
173	002670612	Screw	213	189893001	Shuttle race ring
174	125510002	Stop plate for press	214	128475001	Set lever, R
175	129984001	Thumb screw	215	122426001	Shuttle driver assembly
176	131046001	Zigzag presser foot assembly	216	122427001	Shuttle driver
177	121197001	Tension releaser spring bracket	217	122429001	Shuttle driver spring
178	131337001	Screw	218	121632001	Screw
179	121196001	Spring	219	128581001	Shuttle hook
180	135832001	Tension releaser, A	220	128478001	Bobbin
181	125502001	Slide plate assembly	221	128582002	Bobbin case assembly
182	122536001	Slide plate	222	139557001	Feed dog
183	125501001	Slide plate spring	223	139525001	Spring
184	122771001	Screw	224	100080003	Screw
185	118315000	Vinyl bush	225	115639004	Taper point screw assembly
186	132833001	Zigzag needle plate	226	100075004	Nut
187	101671001	Screw	227	100074002	Taper point screw
188	131149001	Needle clamp	228	120272001	Felt
189	128391001	Needle bar thread guide	229	129617001	Horizontal feed rocking shaft assembly
190	100139001	Screw	230	129618000	Horizontal feed rocking shaft
191	128599001	Needle bat supporter	231	048040342	Stop ring
192	125429001	Needle bar	232	139561001	Feed bar hinge shaft
193	123185001	Screw	233	120990001	Screw
194	120110001	Spring	234	139520000	Feed bar
195	131226001	Needle clamp screw	235	129619001	Horizontal feed shaft arm assembly
196	100028014	Needle #14	236	129620001	Horizontal feed shaft arm
197	131305000	Shuttle driver shaft bushing	237	009681412	Screw
198	100289003	Screw	238	009680612	Screw
199	106318001	Shuttle driver shaft bevel gear assembly	239	131331001	Screw
200	104181000	Shuttle driver shaft bevel gear	240	028680243	Spring washer

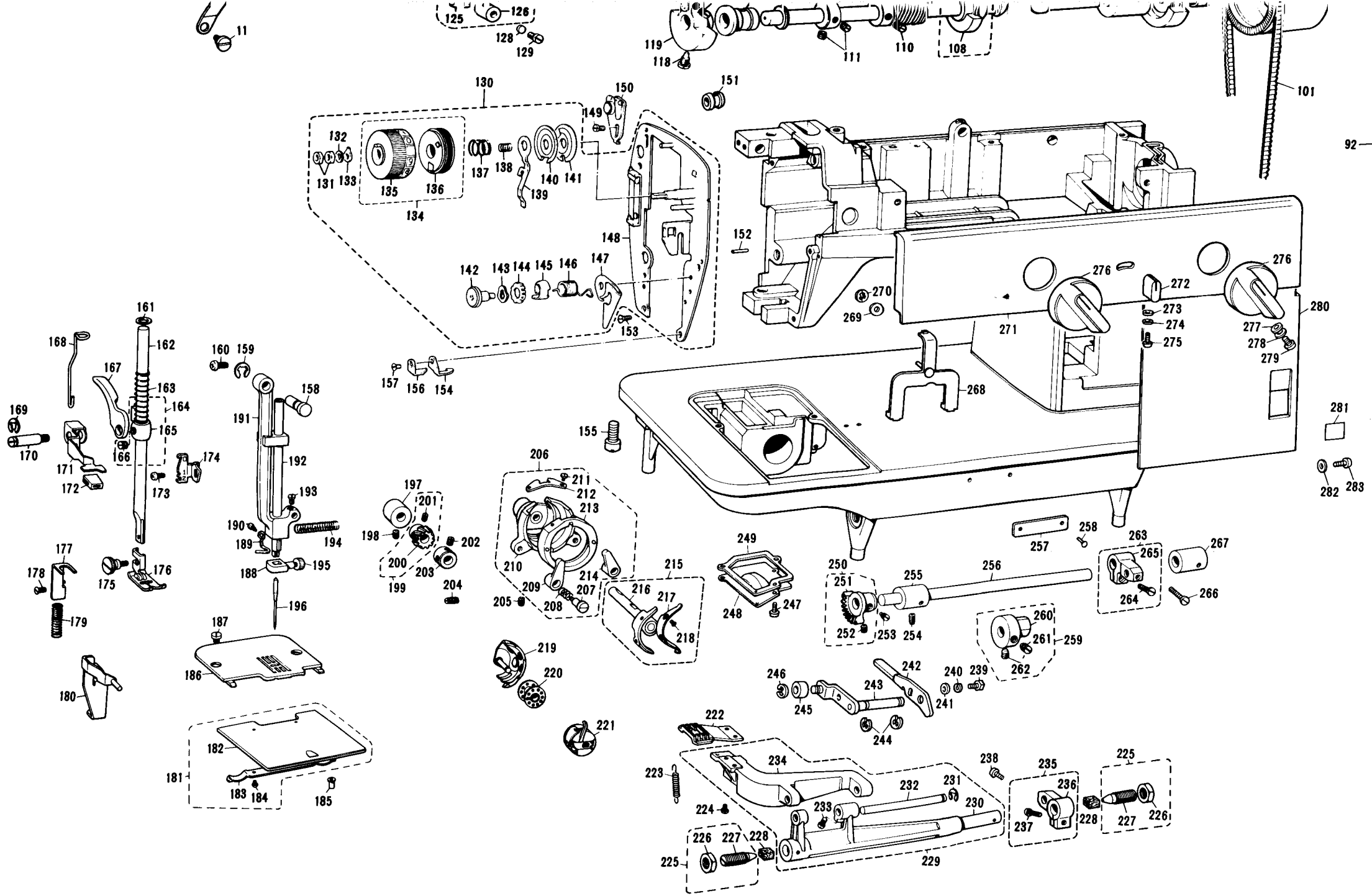
REF. NO.	PARTS NO.	PARTS NAME	REF. NO.	PARTS NO.	PARTS NAME
241	025680133	Washer	281	131666001	Sticker
242	131001001	Vertical feed lever	282	025350236	Washer
243	130997001	Vertical feed arm assembly	283	000670702	Screw
244	048050342	Stop ring	284	123669001	Spring
245	153195001	Roller	285	002680712	Screw
246	048040342	Stop ring	286	129626001	Stud
247	002670612	Screw	287	060681204	Screw
248	129615001	Lower shaft bevel gear cover	288	132645001	3P Socket body
249	118800001	Packing fiber	289	021300106	Nut
250	115239001	Lower shaft bevel gear assembly	290	131338000	Screw
251	104180000	Lower shaft bevel gear	291	122372000	Contact pin
252	101706001	Screw	292	025680133	Washer
253	106105001	Screw	293	021680106	Nut
254	151604001	Screw	294	132646001	3P Socket cover
255	131191000	Lower shaft bushing, L	295	124998001	Adjusting screw
256	123564000	Lower shaft	296	002301605	Screw
257	122995001	Machine number plate	297	120681001	Cord bush
258	116231001	Pin	298	122499001	Condenser
259	123198001	Vertical feed cam assembly	299		Motor complete
260	123356000	Vertical feed cam	300	021680106	Nut
261	100251001	Screw	301	100579003	Washer
262	100251001	Screw	302	028050242	Spring washer
263	129624001	Lower shaft crank assembly	303	100154002	Screw
264	009681412	Screw	304		Controller complete
265	129625001	Lower shaft crank	305	135387001	Rear cover
266	120990001	Screw	306	130128001	Washer
267	131190000	Lower shaft bushing, R	307	025350134	Washer
268	131664000	Arm decoration guide plate	308	062671004	Screw
269	025040333	Washer			
270	123518001	Stop ring			
271	132890002	Arm decoration plate			
272	131652001	Needle position knob			
273	124319000	Washer			
274	025630132	Washer			
275	009630813	Screw			
276	131651001	Adjusting knob			
277	130971000	Washer			
278	025350132	Washer			
279	002660802	Screw			
280	131667001	Arm panel			











VX516  
H4020359  
Printed in Japan