

PARTS CATALOGUE

FOR

MODEL 2051

REF. NO.	PARTS NO.	PARTS NAME	REF. NO.	PARTS NO.	PARTS NAME
1	137619001	Face plate	41	123586001	Spring washer
2	120094001	Face plate hinge	42	123586001	Spring washer
3	117838001	Washer	43	131650001	Spring presser plate
4	009670812	Screw	44	137319001	Zigzag adjusting lever assembly
5	137306001	Face plate decoration plate	45	047251242	Spring pin
6	137307001	Face plate sticker	46	048090342	Stop ring
7	002680712	Screw	47	137320001	Zigzag link assembly
8		Sew-light assembly	48	137317001	Control frame body
9		Sew-light bulb	49	009660613	Screw
10	002670612	Screw	50	124303001	Spring washer
11	123516001	Face plate spring	51	025660132	Washer
12	120674001	Switch button spring	52	123589001	Zigzag width control plate
13	131337001	Screw	53	137322001	Stitch regulating dial shaft assembly
14	106129002	Nut	54	047251242	Spring pin
15	131337001	Screw	55	110215002	Screw
16	137001001	BH Lever spring	56	124699001	Needle position notched spring
17	131428001	BH Lever plate	57	101026001	Steel ball
18	136998001	BH Lever assembly	58	123702001	Needle position stopper
19	048050342	Stop ring	59	002670412	Screw
20	120454001	Stop ring	60	137073001	Stitch regulating dial shaft joint
21	025350132	Washer	61	002680712	Screw
22	048020342	Stop ring	62	137336001	Pattern cam shaft
23	136995001	BH Change shaft	63	048060342	Stop ring
24	136994001	BH Change arm	64	137323001	Pattern cam assembly
25	120653001	Cord bush	65	137334000	Idle cam
26	136997001	BH Spring	66	137333000	BH Cam
27	137337001	BH Stopper assembly	67	137328000	BH cam
28	002670612	Screw	68	137326000	Feed control cam
29	025350332	Washer	69	137335000	SS Cam
30	002670612	Screw	70	062671614	Screw
31	136996001	BH notched spring	71	025350332	Washer
32	002670612	Screw	72	137063001	Cam stopper
33	105433001	Eccentric stud	73	128491001	Washer
34	123597001	Zigzag connecting rod assembly	74	120454001	Stop ring
35	124503002	Spring	75	025350132	Washer
36	048030342	Stop ring	76	048030342	Stop ring
37	123600000	Roller	77	002670712	Screw
38	137316001	Frame assembly	78	131471001	Feed adjusting arm
39	048040342	Stop ring	79	137327001	Feed control cam rod
40	123584001	Dial stopper	80	002671012	Screw

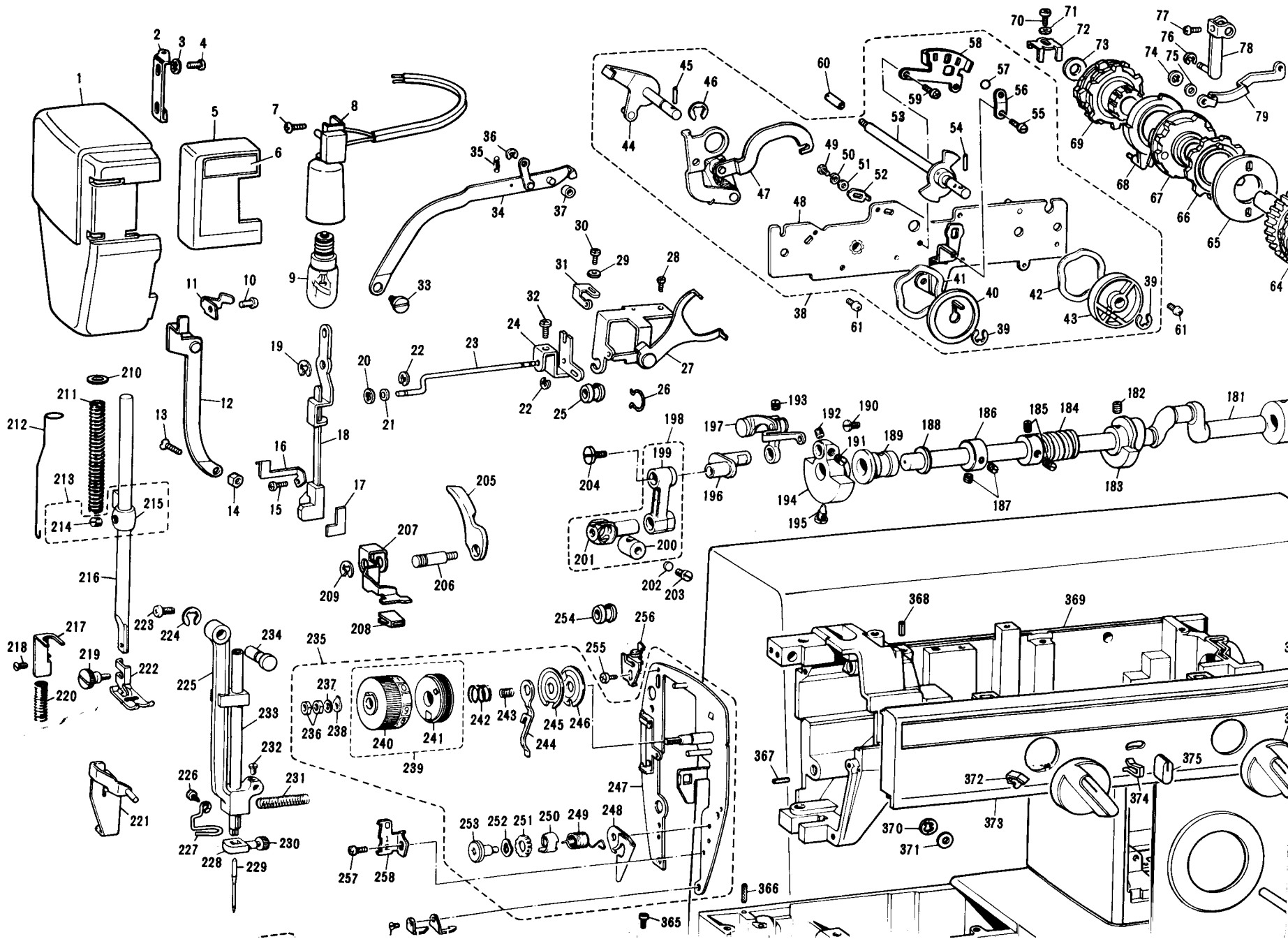
REF. NO.	PARTS NO.	PARTS NAME	REF. NO.	PARTS NO.	PARTS NAME
81	137340001	Finger shaft assembly	121	120448001	Bobbin winder rubber ring
82	120258001	Screw	122	120263001	Stud screw
83	137347001	Finger frame	123	131636001	Feed regulator slide knob
84	137191001	Stop ring	124	131641001	Feed regulating lever assembly
85	120258001	Screw	125	048040342	Stop ring
86	137352001	BH Finger assembly	126	131642001	Feed regulating lever
87	137027001	Spring	127	130977001	Spring
88	137358000	BHZ Finger assembly	128	130974001	Feed regulating lever arm
89	137341001	Z Finger frame	129	002671012	Screw
90	137362001	Finger shaft	130	137065001	Feed regulator adjusting plate
91	137360001	Release lever	131	139466001	Spring
92	137359001	Spring	132	021660102	Nut
93	103978002	Screw	133	103978002	Screw
94	021660102	Nut	134	002681212	Screw
95	021670102	Nut	135	125719000	Feed regulator
96	021670102	Nut	136	123547000	Feed regulator stud
97	137363001	Spring	137	048030342	Stop ring
98	137364001	Zigzag adjusting arm	138	103813001	Washer
99	021660102	Nut	139	128452001	Pin
100	103978002	Screw	140	137313001	Feed adjusting bar
101	025350132	Washer	141	102571003	Nut
102	028350243	Spring washer	142	025680232	Washer
103	136982001	Screw	143	128507001	Collar
104	060681204	Screw	144	113431002	Washer
105	132093001	Top cover	145	128506001	Spring
106	130861001	Carrying handle	146	118519001	Washer
107	103366001	Felt	147	115234001	Slide block assembly
108	188058001	Spool pin	148	100066001	Slide block
109	060684004	Screw	149	100067001	Slide block stud
110	062671614	Screw	150	130870001	Forked connecting rod
111	188059001	Spool pin stand	151	124616000	Washer
112	121846001	Bobbin presser	152	128461001	Crank rod assembly
113	189908001	Stop ring	153	129991001	Stud
114	188060001	Spring	154	048050342	Stop ring
115	124628001	Washer	155	048050342	Stop ring
116	002681012	Screw	156	129991001	Stud
117	124466001	Bobbin winder assembly	157	123660001	Stud
118	125928000	Spring	158	002680712	Screw
119	124467001	Bobbin winder bracket assembly	159	123669001	Spring
120	123661001	Spring	160	048040342	Stop ring

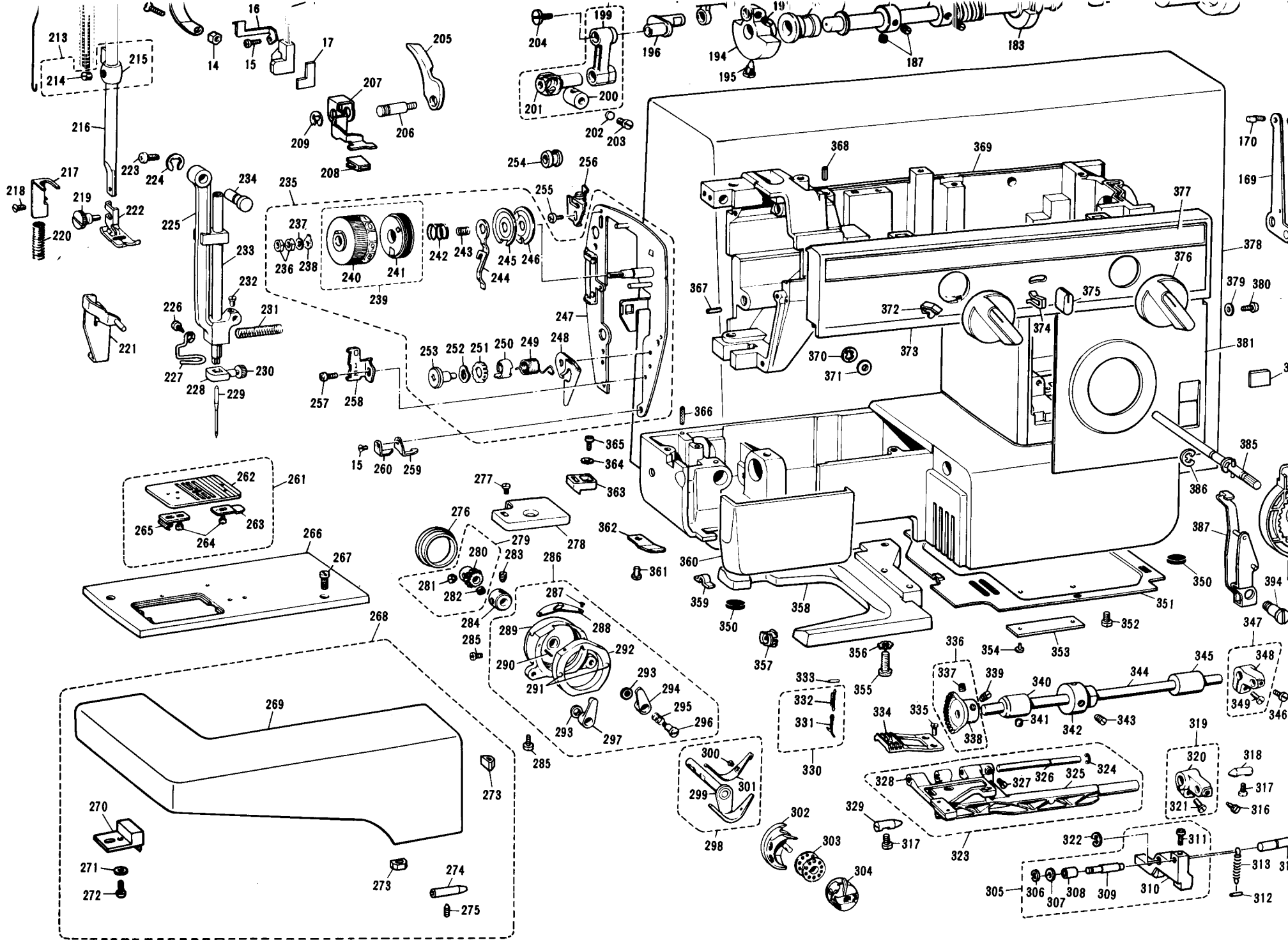
REF. NO.	PARTS NO.	PARTS NAME	REF. NO.	PARTS NO.	PARTS NAME
161	102571003	Nut	201	120108001	Needle bar clamp stud
162	048070342	Stop ring	202	100507000	Metal plate
163	137369001	Stud shaft	203	100366002	Screw
164	137372001	F Selecting lever	204	132051002	Screw
165	137366001	Z Selecting lever assembly	205	125165003	Presser foot lifter
166	123645001	Screw	206	136984001	Stud screw
167	137368001	Spring	207	125248001	Presser adjusting lever
168	129569001	Stud screw	208	121194003	Presser adjusting lever knob
169	137370001	Feed selecting lever	209	048050342	Stop ring
170	123645001	Screw	210	100052001	Washer
171	102571003	Nut	211	125162001	Presser bar spring
172	130944001	Belt	212	125247001	Presser adjusting rod
173	100043003	Stop motion knob screw	213	136706001	Presser bar guide bracket assembly
174	132170001	Stop motion knob	214	100058003	Screw
175	125096001	Washer	215	136707000	Presser bar guide bracket
176	100041002	Stop motion washer	216	128437000	Presser bar
177	130864005	Balance wheel	217	121197001	Tension releaser spring bracket
178	122422000	Balance wheel bushing	218	131337001	Screw
179	120438001	Pin	219	129984001	Thumb screw
180	131189000	Upper shaft bushing, R	220	121196001	Spring
181	128433000	Upper shaft	221	135832001	Tension releaser, A
182	151605001	Screw	222	131046001	Zigzag presser foot assembly
183	131335001	Feed cam assembly	223	002681012	Screw
184	137301001	Worm	224	048050342	Stop ring
185	151602001	Screw	225	128599001	Needle bar supporter
186	132951000	Collar	226	100139001	Screw
187	101706003	Screw	227	128391001	Needle bar thread guide
188	188440001	Washer	228	131149001	Needle clamp
189	131188000	Upper shaft bushing, L	229	100028014	Needle #14
190	060680503	Screw	230	131226001	Needle clamp screw
191	100251001	Screw	231	120110001	Spring
192	101706003	Screw	232	123185001	Screw
193	151604001	Screw	233	125429001	Needle bar
194	124614000	Eccentric counter weight	234	129560001	Needle bar supporter stud
195	129559001	Screw	235	137057002	Thread guard assembly
196	120582001	Needle bar crank	236	021680202	Nut
197	129561001	Thread take-up lever assembly	237	110735001	Washer
198	129919001	Needle bar crank rod assembly	238	120329001	Tension control knob stopper
199	129920000	Needle bar crank rod	239	130979004	Tension control knob assembly
200	120109001	Needle bar clamp	240	130980004	Tension control knob

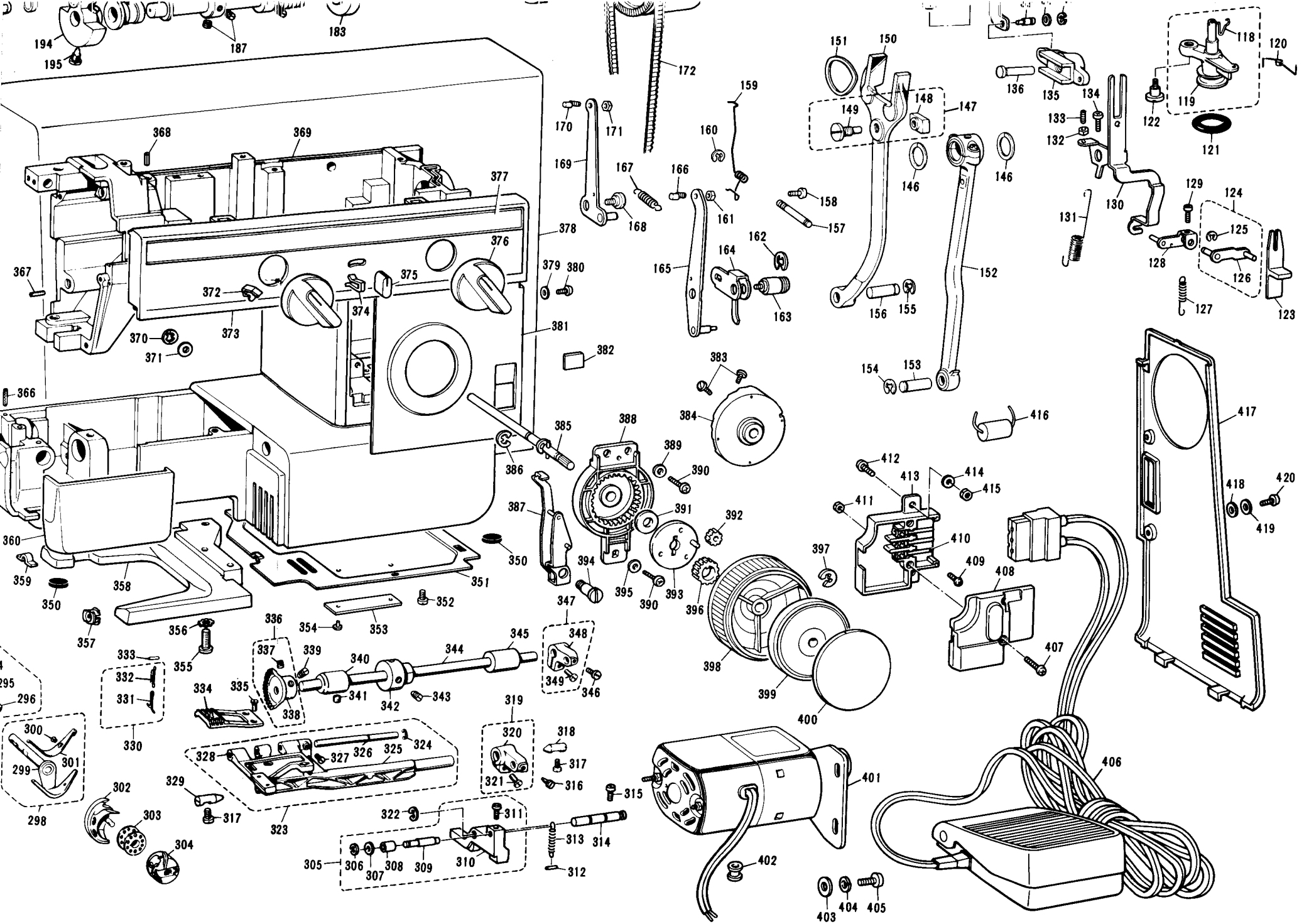
REF. NO.	PARTS NO.	PARTS NAME	REF. NO.	PARTS NO.	PARTS NAME
241	130981001	Tension control ring	281	106288002	Screw
242	129993001	Tension spring	282	013689412	Screw
243	125275001	Spring	283	014680422	Screw
244	125302001	Tension releaser, B	284	131454001	Collar
245	125270001	Tension disc	285	121007001	Screw
246	125269001	Tension disc	286	128468001	Shuttle race assembly
247	137058001	Thread guard plate assembly	287	125514001	Screw
248	120336001	Thread take-up spring cover	288	128473001	Shuttle race top spring
249	120337001	Thread take-up spring	289	128469001	Shuttle race body
250	120436002	Thread take-up spring case, B	290	102927000	Pin
251	120435002	Thread take-up spring case, A	291	128472001	Pin
252	120265001	Spring washer	292	128470001	Shuttle race ring
253	129581001	Stud screw	293	122977001	Washer
254	120653001	Cord bush	294	128475001	Set lever, R
255	060660314		195	128476001	Spring
256	137601001	Bobbin winder thread guide assembly	296	128477001	Stud screw
257	002670612	Screw	297	128474001	Set lever, L
258	125510002	Stop plate for press	298	128465001	Shuttle driver assembly
259	120339001	Thread guide	299	128466001	Shuttle driver
260	120340001	Thread guide	300	121632001	Screw
261	130967001	Needle plate assembly	301	122429001	Shuttle driver spring
262	130936001	Needle plate	302	128581001	Shuttle hook
263	116587001	Needle plate spring, R	303	128478001	Bobbin
264	125139001	Screw	304	128582002	Bobbin case assembly
265	116588001	Needle plate spring, L	305	130873001	Vertical feed assembly
266	124610003	Upper plate	306	048030342	Stop ring
267	062671004	Screw	307	100579003	Washer
268	131639001	Accessory table assembly	308	123865000	Vertical feed roller
269	131640001	Accessory table	309	130875001	Vertical feed roller shaft
270	131278001	Accessory table supporter	310	130874001	Vertical feed arm
271	102707003	Washer	311	120990001	Screw
272	002670812	Screw	312	100175000	Pin
273	124426001	Rubber cushion	313	118352001	Spring
274	131661001	Guide pin	314	130876000	Vertical feed shaft
275	013689412	Screw	315	120990001	Screw
276	116577001	Cover	316	131331001	Screw
277	002670612	Screw	317	120990001	Screw
278	139100001	Gear cover	318	102436001	Taper point stud
279	130885001	Shuttle driver shaft gear assembly	319	129893001	Horizontal feed shaft arm assembly
280	130886000	Shuttle driver shaft gear	320	129894001	Horizontal feed shaft arm

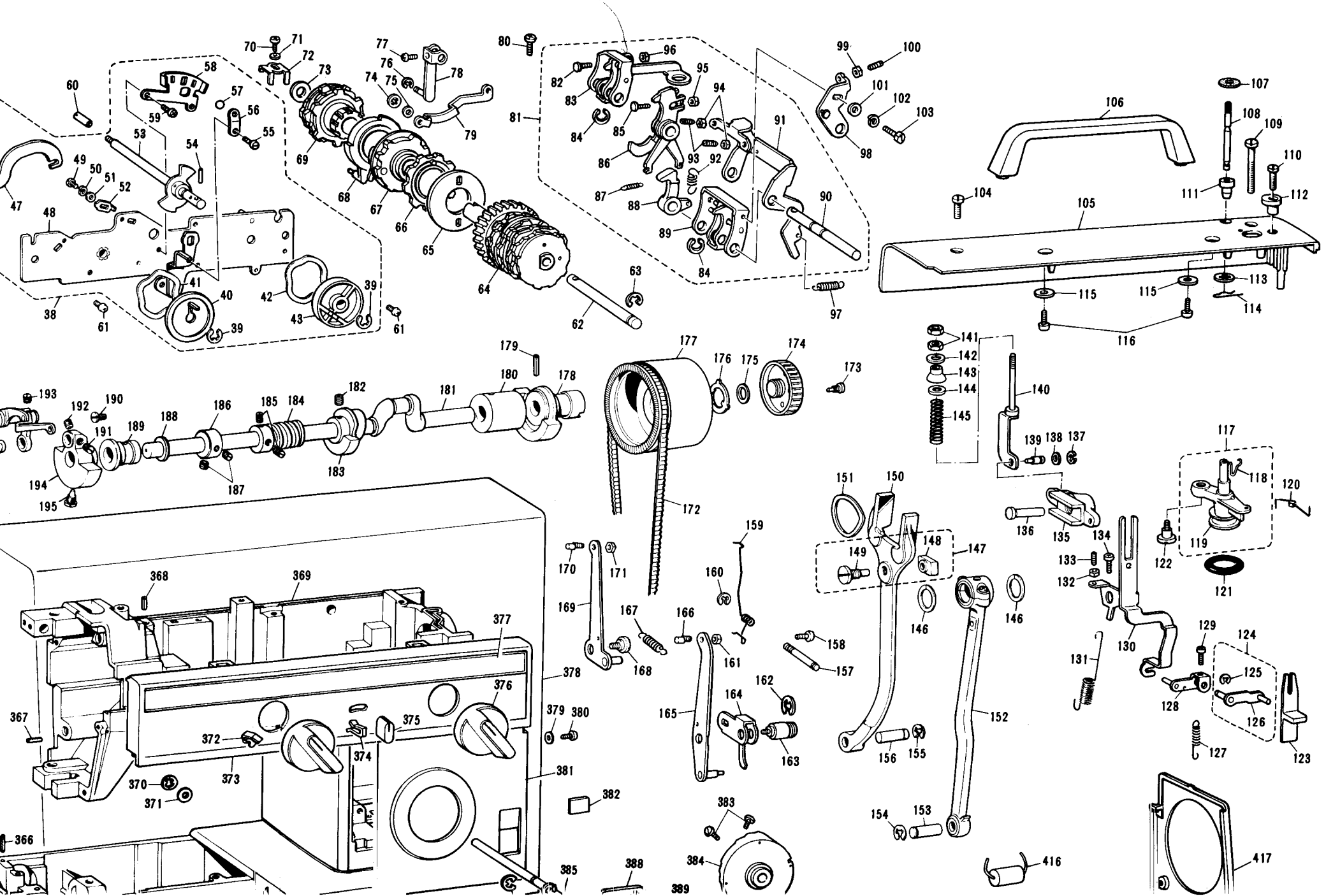
REF. NO.	PARTS NO.	PARTS NAME	REF. NO.	PARTS NO.	PARTS NAME
321	009681412	Screw	361	000670403	Screw
322	048050342	Stop ring	362	123768001	Spring
323	130871001	Horizontal feed rocking shaft assembly	363	131279001	Accessory table hook
324	048040342	Stop ring	364	102707003	Washer
325	120995000	Horizontal feed rocking shaft	365	002670812	Screw
326	120997000	Feed bar shaft	366	129180001	Spring pin
327	100366001	Screw	367	123513000	Spring pin
328	130872000	Feed bar	368	047301242	Spring pin
329	116605001	Taper point stud	369	137302001	Arm bed assembly
330	181779001	Spring hanger assembly	370	123518001	Stop ring
331	120998001	Spring hanger	371	025040333	Washer
332	503154001	Spring	372	137166001	Spring
333	102927000	Pin	373		Arm decoration plate
334	129373001	Feed dog	374	137096001	Spring
335	100080003	Screw	375	137099002	Needle position knob
336	130883001	Lower shaft gear assembly	376	137097002	Adjusting knob
337	151602001	Screw	377	137310001	Decoration plate sticker
338	130884000	Lower shaft gear	378	132594001	Sewing machine cover
339	131139001	Screw	379	025350236	Washer
340	131191000	Lower shaft bushing, L	380	000670702	Screw
341	151604001	Screw	381	131634004	Arm panel
342	130877000	Vertical feed cam	382	131666005	Sticker
343	100251001	Screw	383	009670512	Screw
344	124633000	Lower shaft	384	137377001	Selecting cam
345	131190000	Lower shaft bushing, R	385	137375001	Pattern selecting dial shaft assembly
346	120990001	Screw	386	048050342	Stop ring
347	129624001	Lower shaft crank assembly	387	137378001	Release lever assembly
348	129625001	Lower shaft crank	388	132864000	Gear box for pattern selecting dial
349	009681412	Screw	389	025350332	Washer
350	130157001	Rubber cushion for base plate	390	002670812	Screw
351	131638001	Base plate	391	128491001	Washer
352	100242003	Screw	392	132866000	Idle gear
353	122995001	Machine number plate	393	136850001	Gear holder assembly
354	116231001	Pin	394	137380001	Stud screw
355	123032001	Screw	395	025350132	Washer
356	115000000	Washer	396	132865000	Drive gear
357	130963001	Guide ring	397	048050342	Stop ring
358	136438001	Base foot	398	137373001	Pattern selecting dial
359	128416001	Hinge plate	399	132873001	Pattern selecting dial cap
360	130848001	Hinged door	400	137374001	Pattern selecting dial plate

REF. NO.	PARTS NO.	PARTS NAME	REF. NO.	PARTS NO.	PARTS NAME
401		Motor complete			
402	120681001	Cord bush			
403	100579003	Washer			
404	028050242	Spring washer			
405	000711212	Screw			
406		Controller complete			
407	002301605	Screw			
408	132646001	3P Socket cover			
409	131338001	Screw			
410	122372000	Contact pin			
411	021300106	Nut			
412	060681204	Screw			
413	132645001	3P Socket body			
414	025680133	Washer			
415	021680106	Nut			
416	122499001	Condenser			
417	131637001	Belt cover			
418	130128001	Washer			
419	025350134	Washer			
420	062671004	Screw			









VX2051
H5070424
Printed in Japan