

PARTS CATALOGUE FOR

VX Series

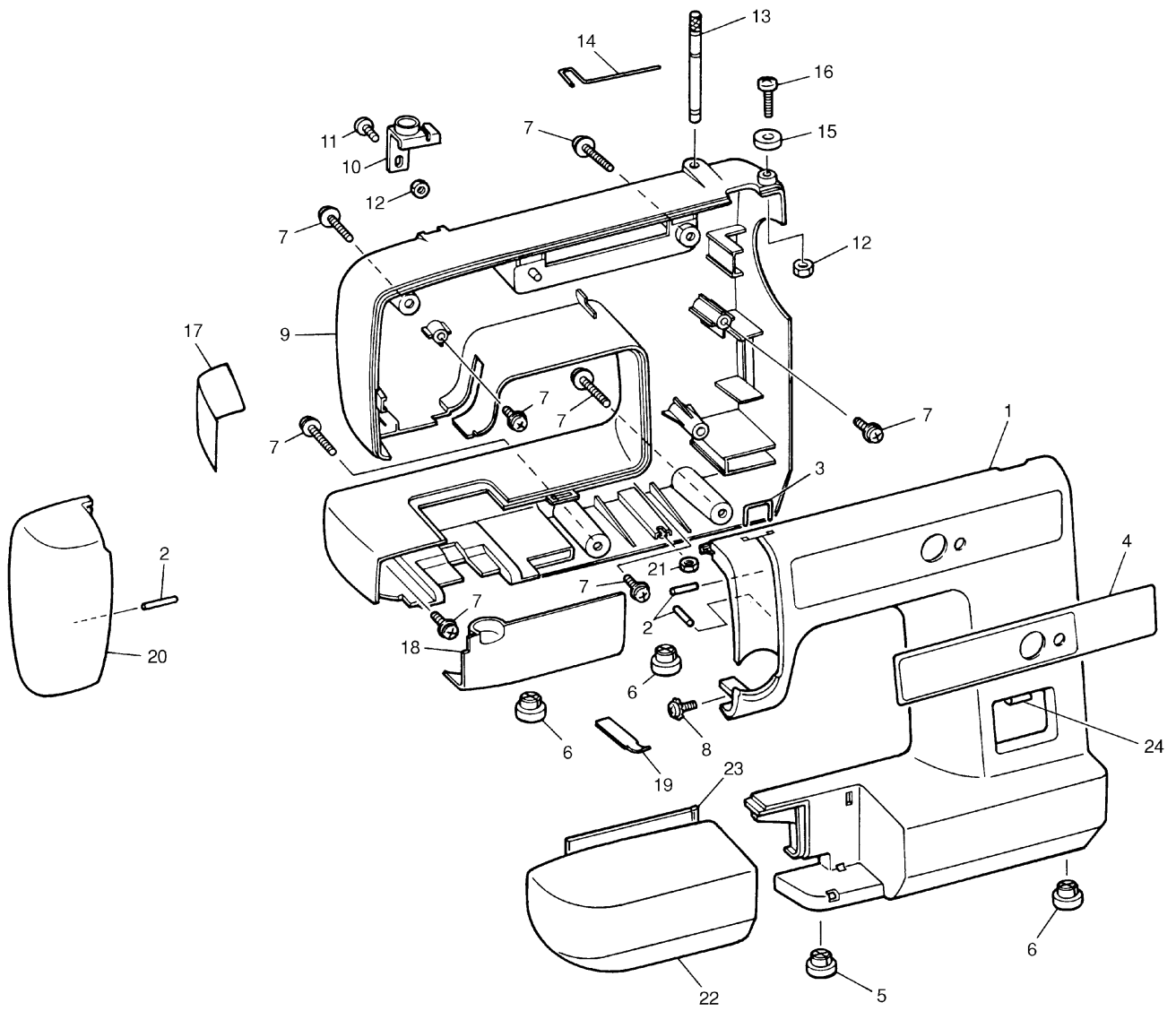
BS Series

CONTENTS

(1) PRINCIPAL PARTS	2
(2) UPPER SHAFT AND NEEDLE BAR.....	4
(3) FEED MECHANISM	6
(4) PATTERN SELECTION, SHUTTLE HOOK AND UPPER TENSION	8
(5) LAMP AND MOTOR.....	10
(6) ACCESSORY	12

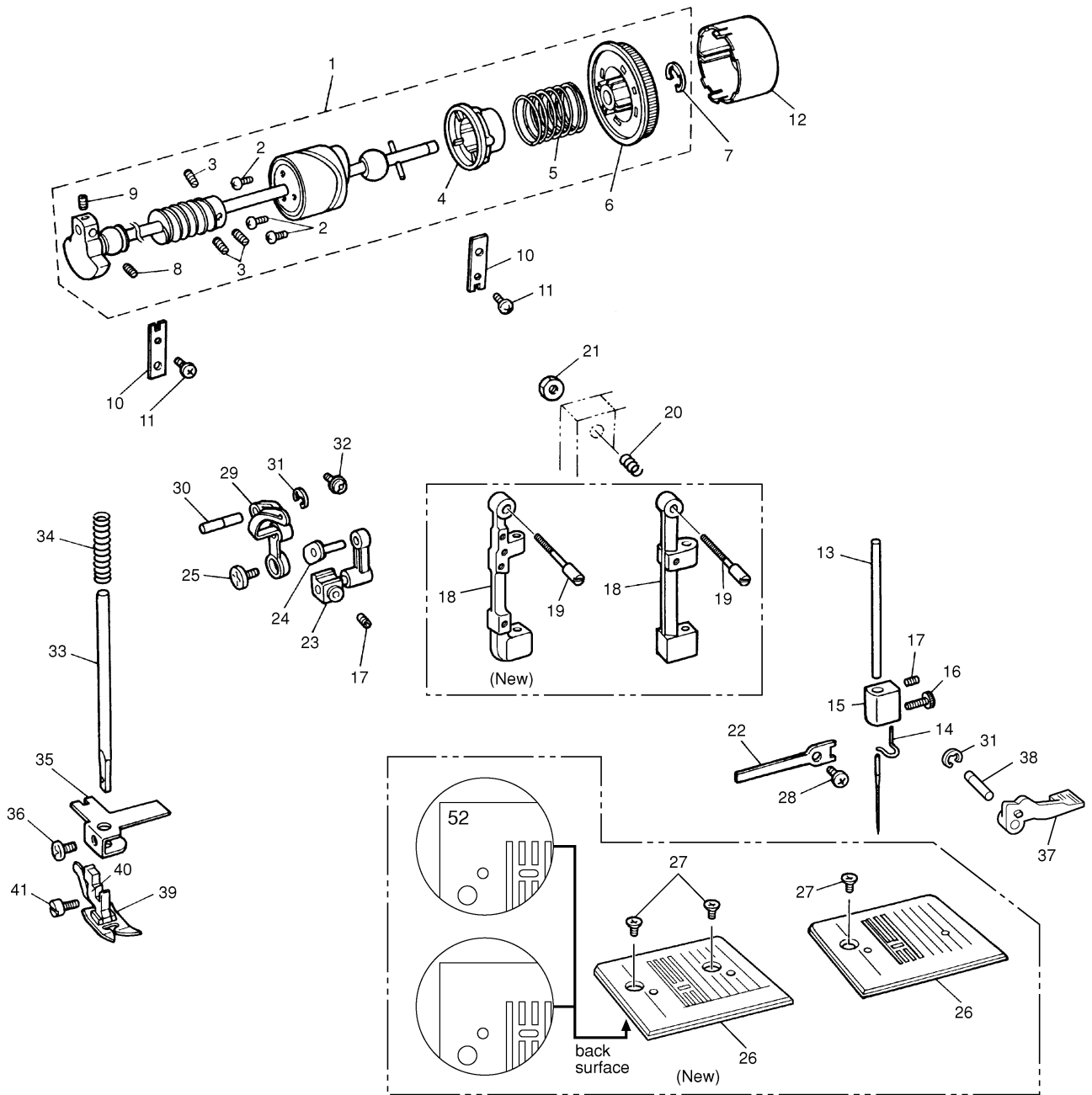
(1) PRINCIPAL PARTS

No.	CODE	PARTS NAME	REMARKS
1	XA1600021	Front cover	
	XA3491021	Front cover (Dual voltage)	
2	OA0211850	Spring pin	
3	X53625121	Upper cover thread guide	
4	XA1601021	Decoration plate (VX-1400)	
	XA1601022	Decoration plate (VX-1500)	
	XA1601023	Decoration plate (VX-1420)	
	XA1601024	Decoration plate (VX-1410)	
	XA1601026	Decoration plate (VX-1430)	
	XA1601027	Decoration plate (VX-1440)	
	XA1601030	Decoration plate (VX-1450)	
	XA1601031	Decoration plate (VX-1451)	
	XA1601032	Decoration plate (VX-1452)	
	XA1601033	Decoration plate (VX-1453)	
	XA1601034	Decoration plate (BS-2400)	
	XA1601035	Decoration plate (BS-2420)	
	XA1601036	Decoration plate (BS-2430)	
	XA1601037	Decoration plate (BS-2410)	
	XA1601038	Decoration plate (BS-2440)	
	XA1601039	Decoration plate (BS-2450)	
	XA1601040	Decoration plate (BS-2451)	
	XA1601041	Decoration plate (BS-2452)	
XA1601042	Decoration plate (BS-2453)		
5	XA0626050	Rubber cushion B	
6	XA0627050	Rubber cushion A	
7	XA3337051	Screw	
8	053400806	Screw	
9	XA0576021	Rear cover	
10	130894151	Thread guide	
11	OA5301006	Screw	
12	021300106	Nut	
13	188058151	Spool pin	
14	XA0628021	Spool pin spring	
15	X59864151	Bobbin presser	
16	052301606	Screw	
17	X57891051	Rear cover reflector	
18	XA0577021	Hinged door	
19	X53638151	Plate spring	
20	XA0579021	Face plate	
21	021060205	Nut	
22	XA0578021	Accessory table	
23	XA2183021	Accessory table cover	
24	XA4657051	Cushion	



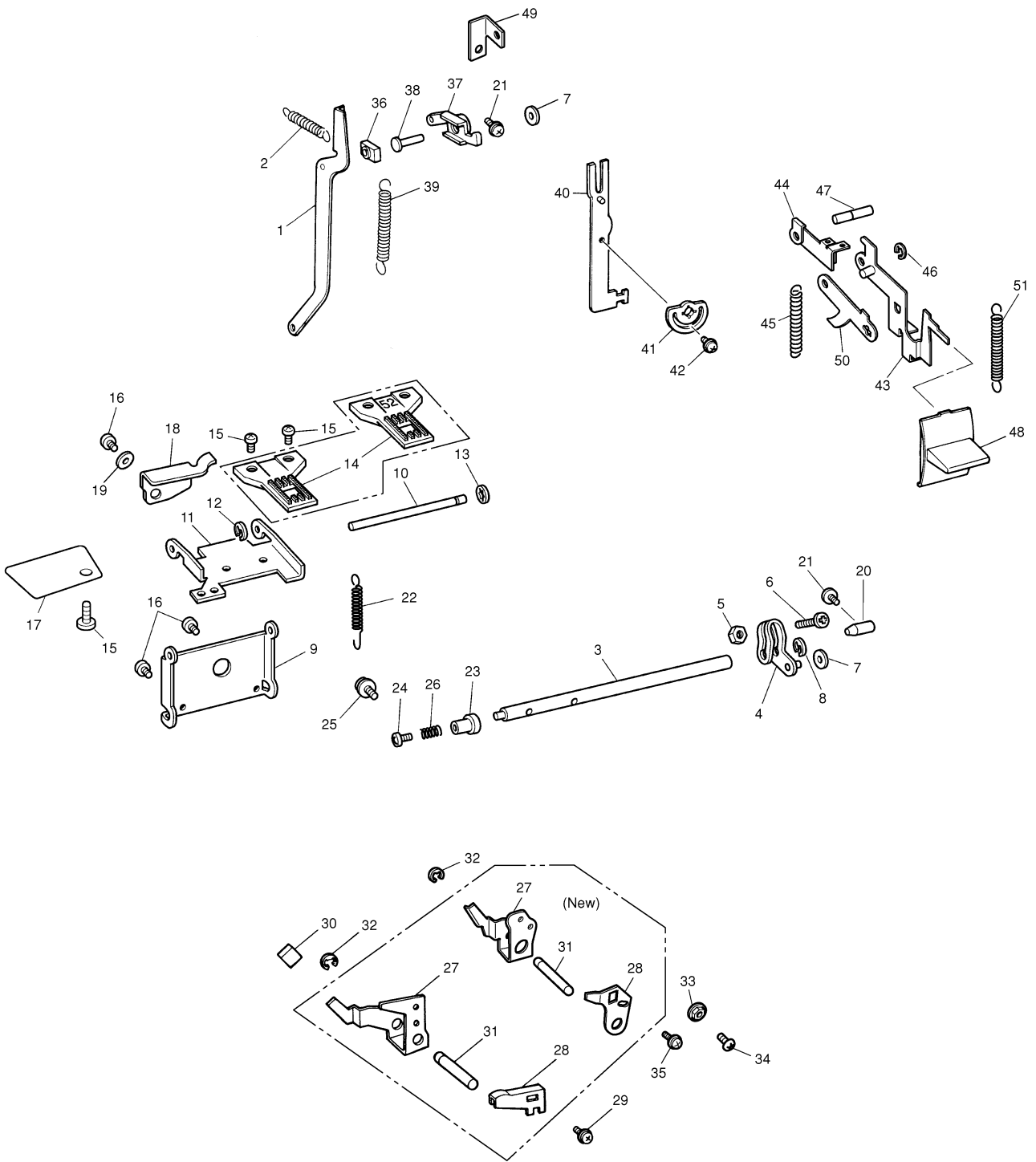
(2) UPPER SHAFT AND NEEDLE BAR

No.	CODE	PARTS NAME	REMARKS	No.	CODE	PARTS NAME	REMARKS
1	XA1500321	Upper shaft assembly		39	138135152	Zigzag presser foot	
2	085301615	Screw		40	138134051	Presser foot holder assembly	
3	014400432	Screw		41	132730151	Presser foot screw	
4	XA0637050	Clutch plate					
5	XA0636020	Clutch spring					
6	XA0638050	Timing wheel					
7	048080346	Stop ring					
8	X54013051	Screw					
9	123006051	Screw					
10	X52478051	Bushing presser					
11	X57908051	Screw					
12	XA0639021	Balance wheel					
13	XA0641051	Needle bar					
14	XA0642120	Needle bar thread guide					
15	XA0643151	Needle clamp					
16	XA0644051	Needle clamp screw					
17	012400432	Screw					
18	X57909251	Needle bar supporter					
	XA3476051	Needle bar supporter (New)					
19	XA0645151	Needle bar supporter stud					
	XA3477051	Needle bar supporter stud (New)					
20	X54369021	Spring					
21	X56851051	Locknut					
22	XA0646051	Needle bar supporter presser					
23	XA1289051	Needle bar crank rod assembly					
24	XA1113051	Needle bar crank					
25	132051052	Screw					
26	XA0647151	Zigzag needle plate					
	XA0647251	Zigzag needle plate (without 52) (New)	ADD				
	XA3954051	Zigzag needle plate (with 52) (New)	CHG				
27	X50487051	Screw					
28	X57908051	Screw					
29	XA1112151	Thread take-up lever assembly					
30	XA0648150	Thread take-up lever stud					
31	048050346	Stop ring					
32	XA0649051	Screw					
33	128437050	Presser bar					
34	X55770051	Presser bar spring					
35	XA0975051	Presser bar guide bracket					
36	X52760051	Screw					
37	XA2511151	Presser foot lifter					
38	XA0977150	Presser foot lifter stud					



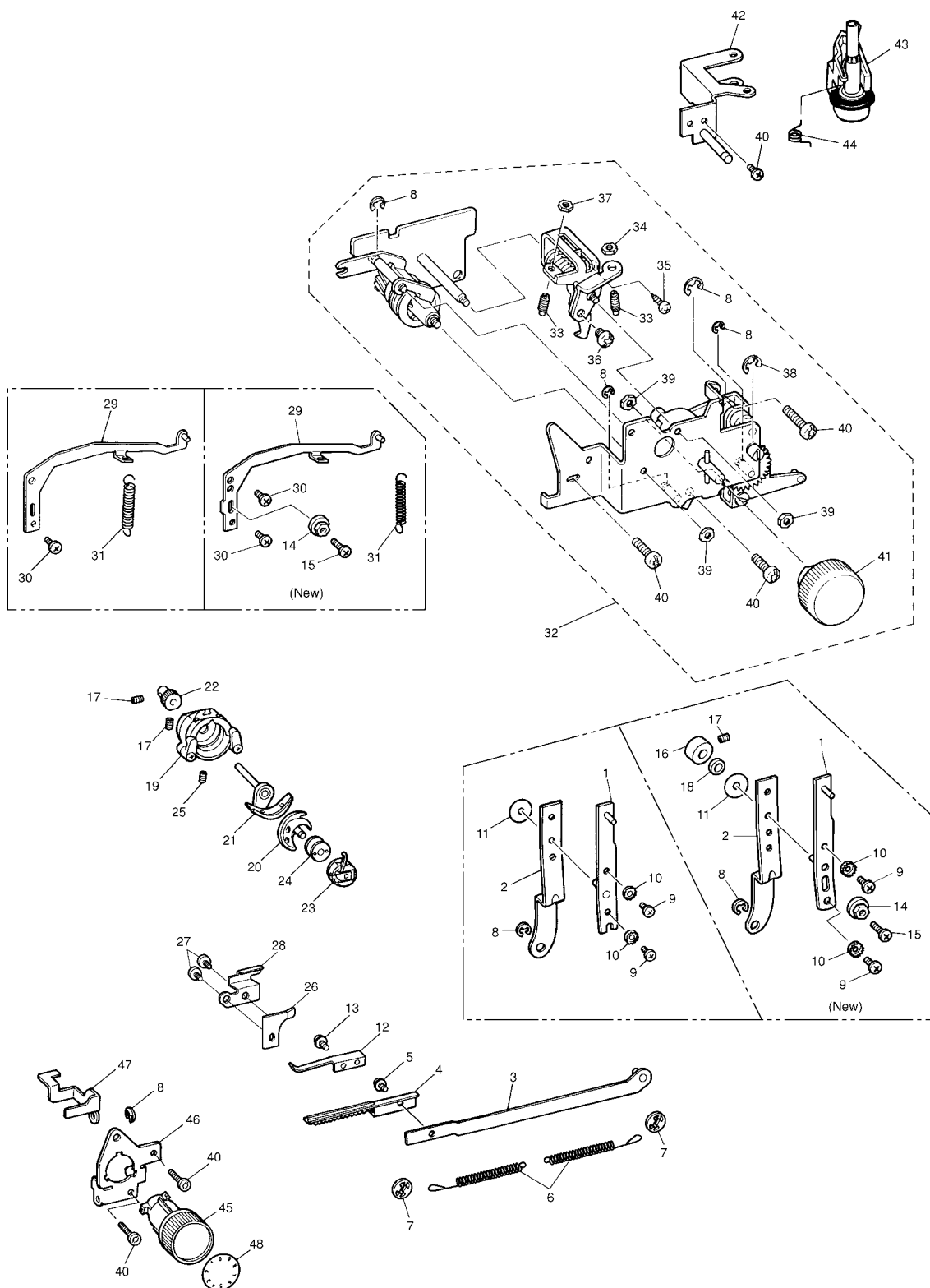
(3) FEED MECHANISM

No.	CODE	PARTS NAME	REMARKS	No.	CODE	PARTS NAME	REMARKS
1	XA0978051	Feed connecting rod		41	XA1002050	Reverse sewing regulator shaft	
2	XA0980021	Spring		42	052300606	Screw	
3	XA0982020	Horizontal feed shaft		43	XA4531021	Reverse sewing lever plate B assembly	
4	XA0983151	Horizontal feed shaft arm		44	XA4533021	Reverse sewing lever plate C	
5	021400205	Nut		45	X59905051	Spring	
6	060401416	Screw		46	048040346	Stop ring	
7	X53330050	Washer		47	XA1004150	Reverse sewing shaft	
8	048050346	Stop ring		48	XA1005021	Reverse sewing lever	
9	XA0987021	Horizontal feed plate		49	XA4534021	Stop plate L	
10	XA0988021	Feed stand shaft		50	XA4532121	Reverse sewing lever plate A	
11	XA3960021	Feed stand		51	XA4568051	Spring	
12	048030346	Stop ring					
13	146200051	Stop ring					
14	XA0990051	Feed dog (without 52)	ADD				
	XA4430051	Feed dog (with 52)	CHG				
15	060300416	Screw					
16	060400816	Screw					
17	XA3474021	Dust protect plate					
18	XA4042120	Feed stand support					
19	025040133	Washer					
20	XA1082051	Taper point stud R	CHG				
21	X57913051	Screw					
22	XA0991021	Spring					
23	X54391150	Taper point stud L					
24	062400416	Screw					
25	XA0649051	Screw					
26	X56613021	Spring					
27	XA0993021	Vertical feed arm					
	XA3480021	Vertical feed arm (New)					
28	XA0994020	Vertical feed adjuster					
	XA3481021	Vertical feed adjuster (New)					
29	052300606	Screw					
30	XA1077020	Vertical arm					
31	XA0995051	Vertical feed shaft					
	XA0995151	Vertical feed shaft (New)					
32	048060346	Stop ring					
33	X50559050	Nut					
34	062300806	Screw					
35	060400516	Screw					
36	XA0030051	Slide block					
37	XA0996050	Feed regulator					
38	XA0997050	Feed regulator shaft					
39	XA4675051	Spring					
40	XA1507051	Feed regulator plate					



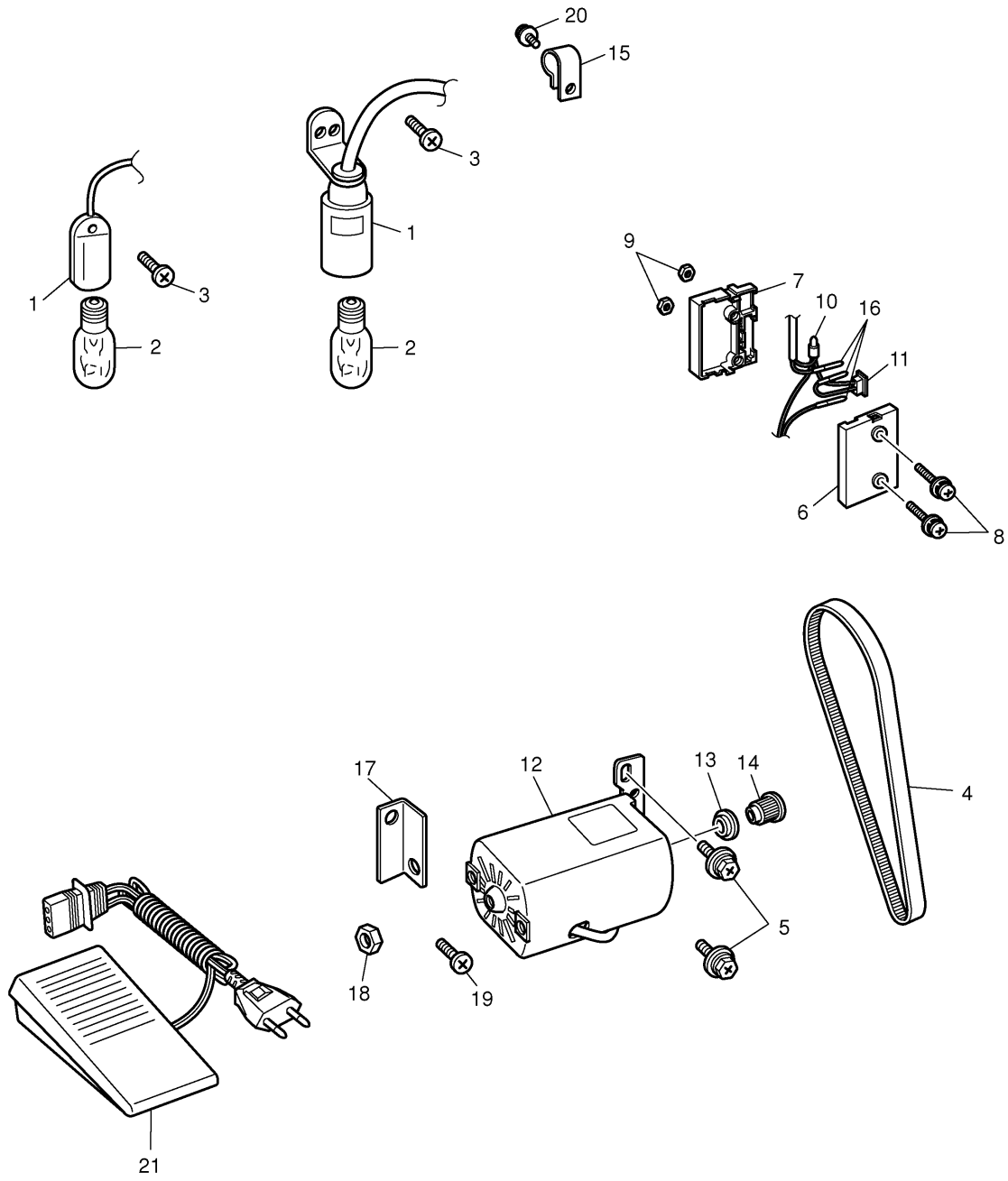
(4) PATTERN SELECTION, SHUTTLE HOOK AND UPPER TENSION

No.	CODE	PARTS NAME	REMARKS	No.	CODE	PARTS NAME	REMARKS
1	XA1008051	Cam drive connecting rod A assembly		39	021400202	Nut	
	XA4693151	Cam drive connecting rod A assembly (New)		40	X57908051	Screw	
2	XA1012051	Cam drive connecting rod B		41	XA1603021	Pattern selection dial	
	XA1012251	Cam drive connecting rod B (New)		42	XA1046051	Bobbin winder holder assembly	
3	XA1014021	Cam drive connecting rod C assembly		43	XA1049021	Bobbin winder spindle assembly	
4	XA1017120	Rack		44	X59939021	Bobbin winder spring	
5	052300606	Screw		45	XA1052051	Upper tension control dial	
6	XA3439021	Spring		46	XA1055021	Upper tension control holder assembly	
7	146200051	Stop ring		47	XA1058021	Upper tension control releasing lever	
8	048040346	Stop ring		48	XA1255121	Upper tension control dial plate	
9	060400816	Screw					
10	XA6909051	Toothed washer					
11	131976050	Thrust washer					
12	XA1019021	Rack plate spring					
13	X57884051	Screw					
14	X50559050	Nut					
15	062301006	Screw					
16	X52077151	Collar					
17	014400432	Screw					
18	X53330050	Washer					
19	XA1317051	Shuttle race assembly					
20	128581053	Shuttle hook					
21	XA1021051	Shuttle driver assembly					
22	XA1025051	Driver shaft gear					
23	128582053	Bobbin case assembly					
24	X52800050	Bobbin					
25	014400632	Screw					
26	X57313151	Rack stopper					
27	X57908051	Screw					
28	XA5702021	Rack stopper A					
29	XA1585051	Zigzag connecting rod					
	XA3436051	Zigzag connecting rod (New)					
30	053400806	Screw					
31	XA1529051	Zigzag connecting rod spring					
32	XA1588021	Pattern selection dial assembly					
33	XA1620051	Adjusting screw					
34	X56851021	Locknut					
35	136681051	Screw					
36	060400416	Screw					
37	X56960051	Nut					
38	048050346	Stop ring					



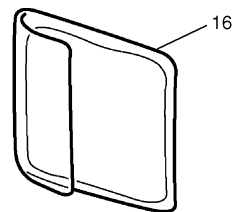
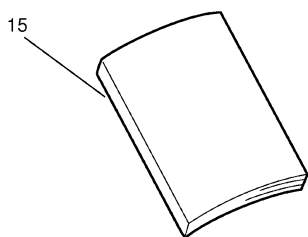
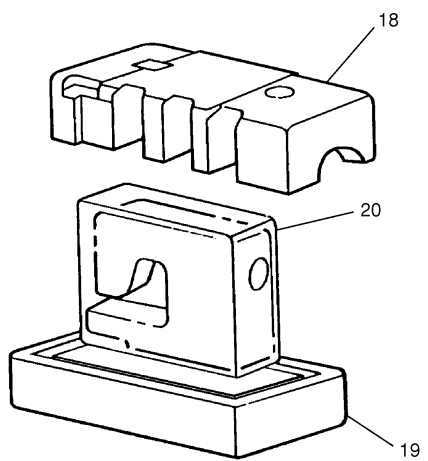
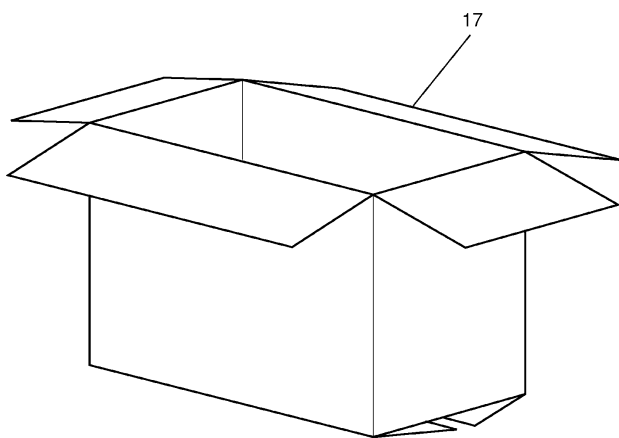
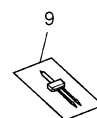
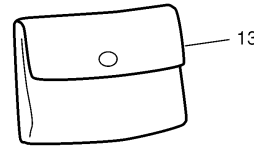
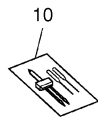
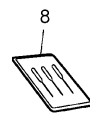
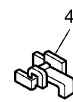
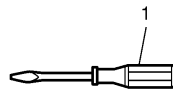
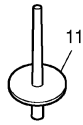
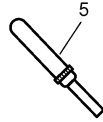
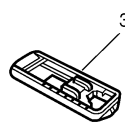
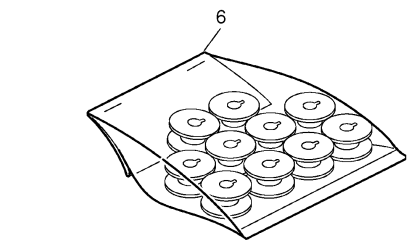
(5) LAMP AND MOTOR

No.	CODE	PARTS NAME	REMARKS
1	XA1059121	Sew-light assembly (100-120V)	
	XA1064021	Sew-light assembly (220-240V)	
2	X53061020	Sew-light bulb (100-120V)	
	205336020	Sew-light bulb (220-240V)	
3	X57984051	Screw (100-120V)	
	XA1623051	Screw (220-240V)	
4	XA1196051	Timing belt	
5	XA3004051	Screw	
6	XA1068021	3P socket body	
7	XA1069021	3P socket cover	
8	052403006	Screw	
9	021400205	Nut	
10	214808050	Connector	
11	XA1070021	PW switch assembly (100-120V)	
	XA1073021	PW switch assembly (220-240V)	
12	XA1071151	Motor (120V)	
	XA1429051	Motor (220V)	
	XA1430051	Motor (230V)	
	XA2252051	Motor (220V:Korea)	
	XA1431051	Motor (240V)	
	XA2446051	Motor (220/230-240)	
13	XA1265120	Timing belt pulley A	
14	XA1266120	Timing belt pulley B	
15	XA7678051	Cord cramp	
16	138598051	Socket pin	
17	XA3461051	Motor supporter (120V)	
18	021400205	Nut (120V)	
19	X57908051	Screw (120V)	
20	XA8290051	Screw	
21	X57319051	Foot controller (120V)	
	XA6422021	Foot controller (220-240V)	
	XA6412021	Foot controller (England)	
	XA6424021	Foot controller (Korea)	
	XA6414021	Foot controller (Australia)	
	XA6430021	Foot controller (China)	



(6) ACCESSORY

No.	CODE	NAME	REMARKS	No.	CODE	NAME	REMARKS
1	X55467051	Screw driver (M)		17	X61211033	Carton (BS-2420, with CE)	
	X55468051	Screw driver (S)			X61211034	Carton (BS-2410, with CE)	
2	X59370051	Zipper foot			X61211035	Carton (BS-2440, with CE)	
3	X59369251	Buttonhole foot			X61211036	Carton (BS-2450, with CE)	
4	X59375051	Button fitting foot			X61211037	Carton (BS-2451, with CE)	
5	X54243001	Seam ripper			X61211038	Carton (BS-2452, with CE)	
	XA5537051	Bobbin (with UPC)			X61211039	Carton (BS-2453, with CE)	
	XA5537052	Bobbin (without UPC)			X61211040	Carton (BS-2430, with CE)	
7	X55465051	Oiler			X61211042	Carton (BS-2400)	
8	X57117051	Needle set			X61211043	Carton (BS-2430)	
	129583001	Needle set (Germany)			18	X60772020	Upper polystyrene
9	X57521001	Needle set T		19	X60773020	Lower polystyrene	
10	X58604001	Needle set (Korea)		20	X60439120	Bag 630 × 630	
11	130920051	Extra spool pin					
12	XA3442151	Feed dog cover					
13	XA1363021	Accessory bag					
14	XA5771051	Scissors					
15	194414011	Instruction manual (Eng., Sp.)					
	194414012	Instruction manual (Fr., Du.)					
	194414013	Instruction manual (Ger., It.)					
	194414014	Instruction manual (Eng., Fr., China., Portugal)					
	194414015	Instruction manual (Eng., Fr., Ger., Du.)					
	194414016	Instruction manual (VX1450 series:England)					
16	XA2112021	Cover					
17	X60360028	Carton (VX1400:Color, U.S.A)					
	X60952031	Carton (VX-1500)					
	X60952032	Carton (VX-1400, with CE)					
	X60952034	Carton (VX-1420, with CE)					
	X60952036	Carton (VX-1410)					
	X60952037	Carton (VX-1430, with CE)					
	X60952038	Carton (VX-1440, with CE)					
	X60952040	Carton (VX-1400, without CE)					
	X60952044	Carton (VX-1430, without CE)					
	X60952046	Carton (VX-1420, without CE)					
	X60952048	Carton (VX-1430, Chinese)					
	X60952049	Carton (VX-1440, without CE)					
	X61211022	Carton (VX-1450)					
	X61211023	Carton (VX-1451)					
	X61211024	Carton (VX-1452)					
	X61211025	Carton (VX-1453)					
X61211032	Carton (BS-2400, with CE)						



VX Series
BS Series
T6020082 ①