

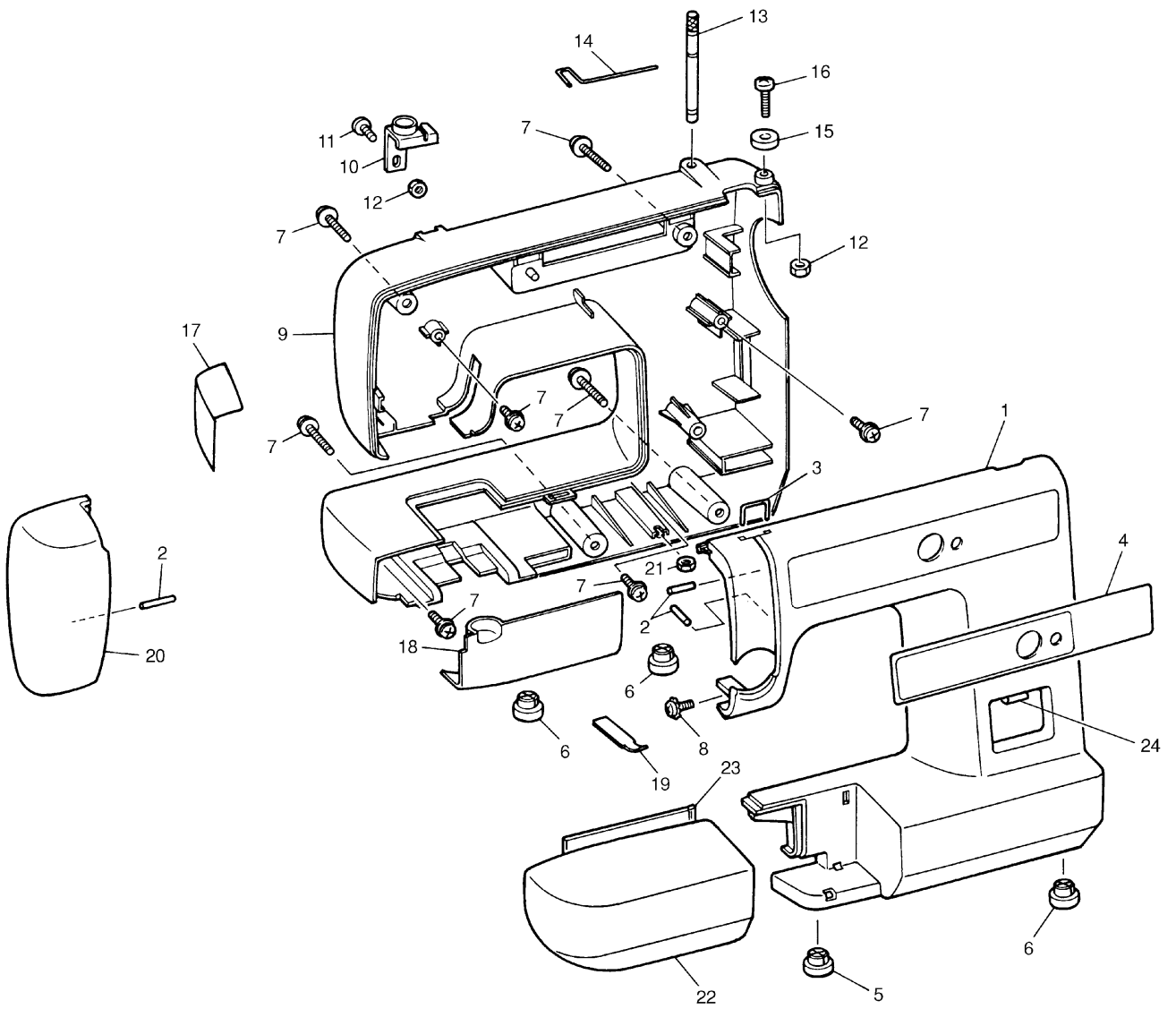
PARTS CATALOGUE FOR

VX-1140 VX-1145 VX-1250

BS-2145 BS-2250

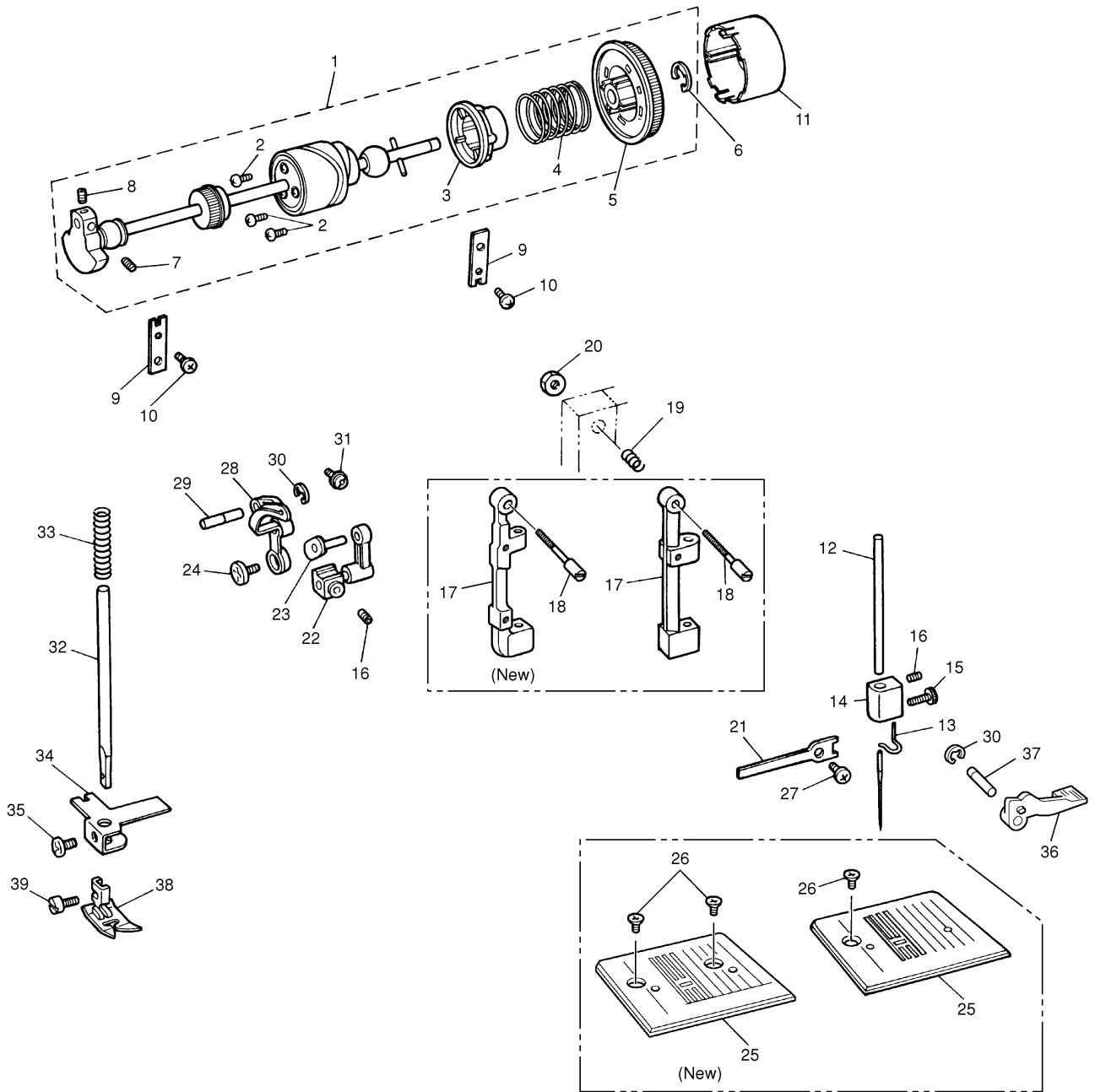
CONTENTS

(1) PRINCIPAL PARTS	2
(2) UPPER SHAFT AND NEEDLE BAR.....	4
(3) FEED MECHANISM	6
(4) PATTERN SELECTION, SHUTTLE HOOK AND UPPER TENSION	8
(5) LAMP AND MOTOR.....	10
(6) ACCESSORY	12



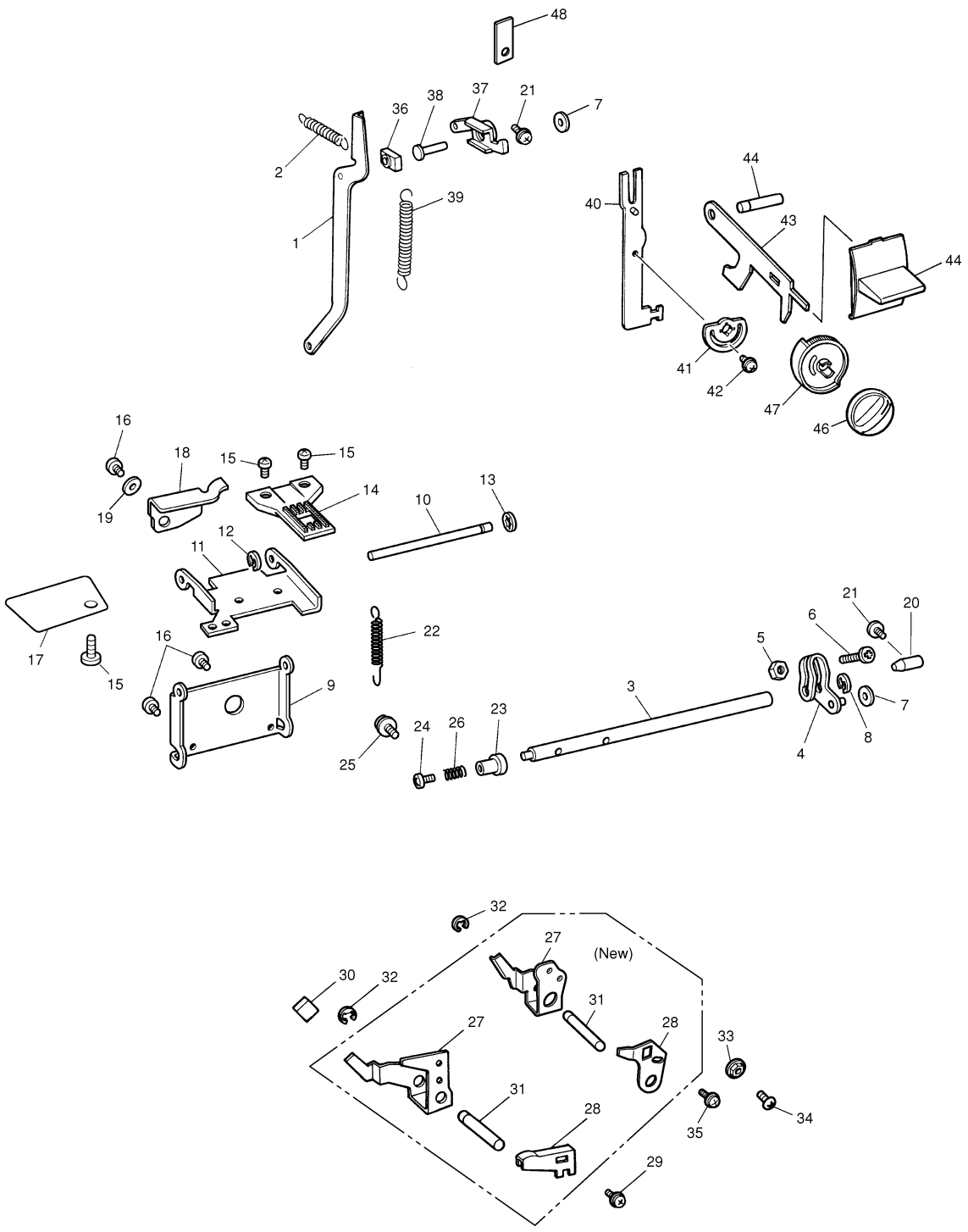
(2) UPPER SHAFT AND NEEDLE BAR

No.	CODE	PARTS NAME	REMARKS
1	XA0630421	Upper shaft assembly	
2	085301615	Screw	
3	XA0637120	Clutch plate	
4	XA0636020	Clutch spring	
5	XA0638120	Timing wheel	
6	048080346	Stop ring	
7	X54013051	Screw	
8	123006051	Screw	
9	X52478051	Bushing presser	
10	X57908051	Screw	
11	XA0639021	Balance wheel	
12	XA0641051	Needle bar	
13	XA0642120	Needle bar thread guide	
14	XA0643151	Needle clamp	
15	XA0644051	Needle clamp screw	
16	012400432	Screw	
17	X57909251	Needle bar supporter	
	XA3476051	Needle bar supporter (New)	
18	XA0645151	Needle bar supporter stud	
	XA3477051	Needle bar supporter stud (New)	
19	X54369021	Spring	
20	X56851051	Locknut	
21	XA6940051	Needle bar supporter presser	
22	XA1289051	Needle bar crank rod assembly	
23	XA1113051	Needle bar crank	
24	132051052	Screw	
25	XA0647251	Zigzag needle plate	
	XA3954051	Zigzag needle plate (New)	
26	X50487051	Screw	
27	X57908051	Screw	
28	XA1112151	Thread take-up lever assembly	
29	XA0648150	Thread take-up lever stud	
30	048050346	Stop ring	
31	XA0649051	Screw	
32	128437050	Presser bar	
33	X55770051	Presser bar spring	
34	XA0975051	Presser bar guide bracket	
35	X52760051	Screw	
36	XA2511151	Presser foot lifter	
37	XA0977150	Presser foot lifter stud	
38	131046051	Zigzag presser foot assembly	
39	132730151	Presser foot screw	



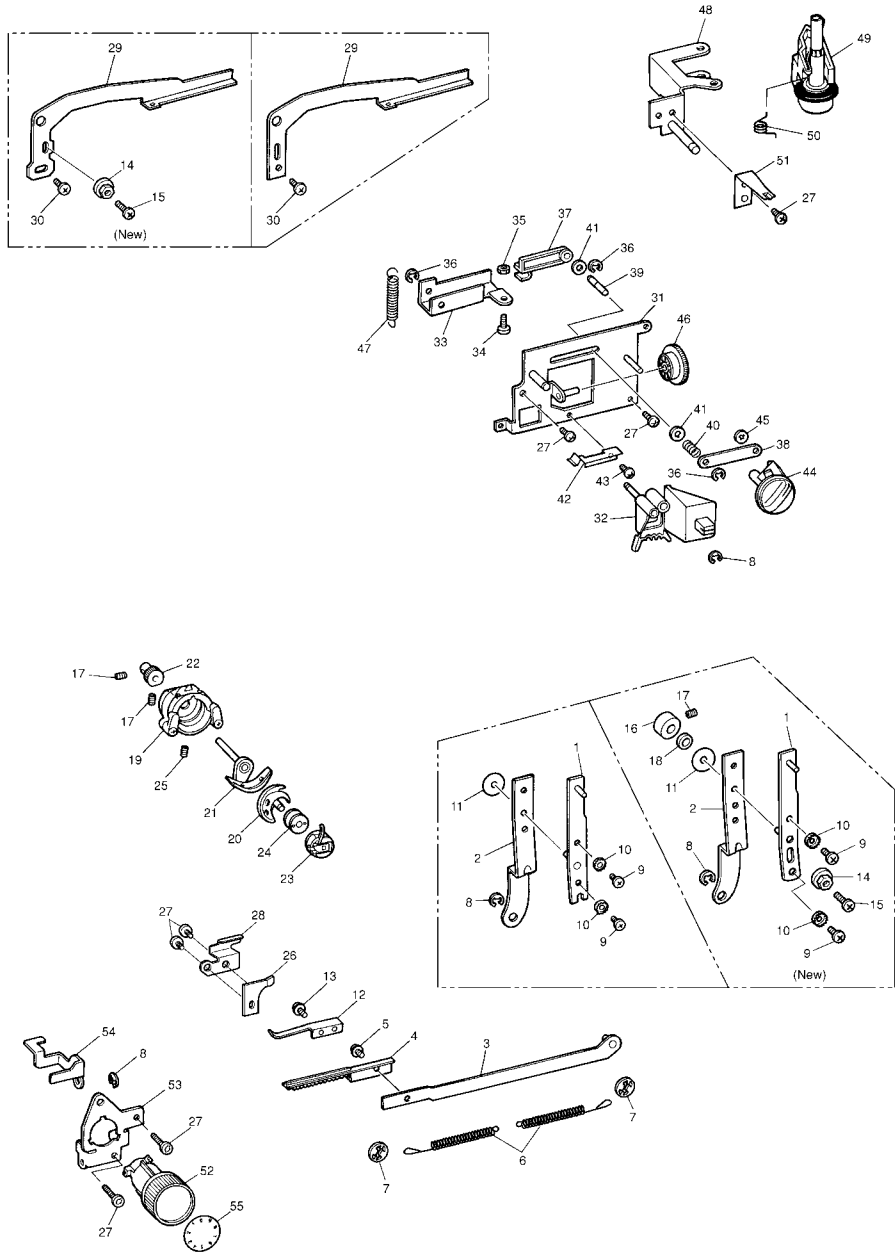
(3) FEED MECHANISM

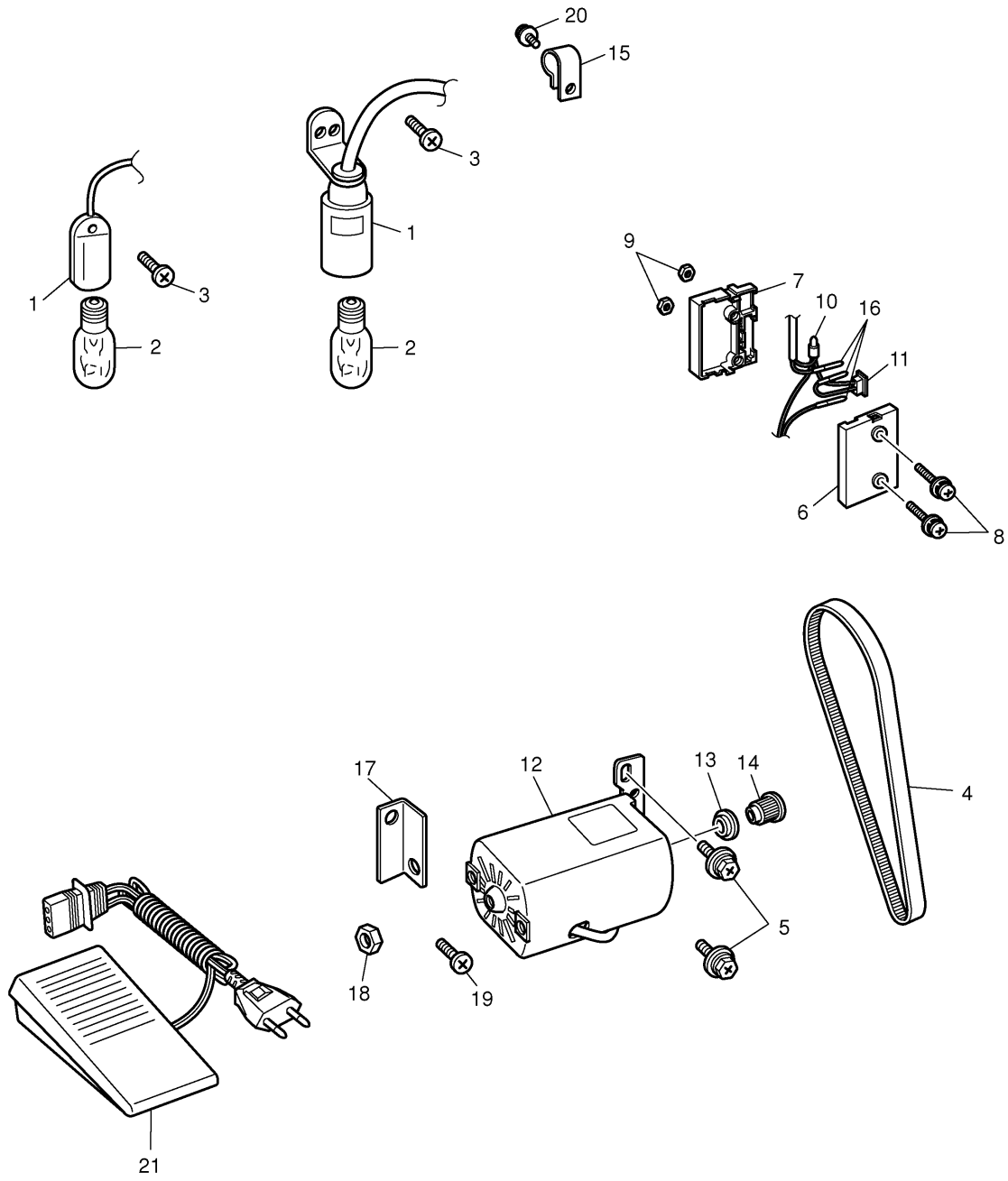
No.	CODE	PARTS NAME	REMARKS	No.	CODE	PARTS NAME	REMARKS
1	XA0978051	Feed connecting rod		42	052300606	Screw	
2	XA0980021	Spring		43	XA1003050	Reverse sewing lever plate	
3	XA0982020	Horizontal feed shaft		44	XA1004150	Reverse sewing shaft	
4	XA0983151	Horizontal feed shaft arm		45	XA1308021	Reverse sewing lever	
5	021400205	Nut		46	XA4781021	Feed dial	
6	060401416	Screw		47	XA1007020	Feed regulator cam	
7	X53330050	Washer		48	137734051	Stop plate	
8	048050346	Stop ring					
9	XA0987021	Horizontal feed plate					
10	XA0988021	Feed stand shaft					
11	XA3960021	Feed stand					
12	048030346	Stop ring					
13	146200051	Stop ring					
14	XA0990051	Feed dog					
15	060300416	Screw					
16	060400816	Screw					
17	XA3474021	Dust protect plate					
18	XA4042120	Feed stand support					
19	025040133	Washer					
20	XA1082051	Taper point Stud R					
21	X57913051	Screw					
22	XA0991021	Spring					
23	X54391150	Taper point stud L					
24	062400416	Screw					
25	XA0649051	Screw					
26	X56613021	Spring					
27	XA0993021	Vertical feed arm					
	XA3480021	Vertical feed arm (New)					
28	XA0994020	Vertical feed adjuster					
	XA3481021	Vertical feed adjuster (New)					
29	052300606	Screw					
30	XA1077020	Vertical arm					
31	XA0995051	Vertical feed shaft					
	XA0995151	Vertical feed shaft (New)					
32	048060346	Stop ring					
33	X50559050	Nut					
34	062300806	Screw					
35	060400516	Screw					
36	XA0030051	Slide block					
37	XA0996050	Feed regulator					
38	XA0997050	Feed regulator shaft					
39	XA4675051	Spring					
40	XA1000051	Feed regulator plate					
41	XA1002050	Reverse sewing regulator shaft					

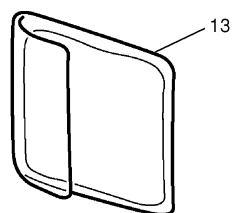
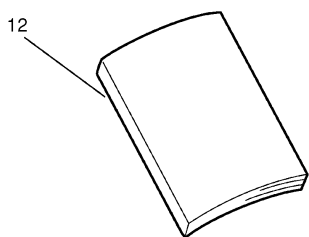
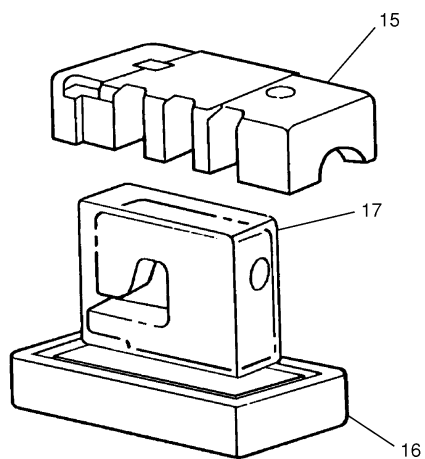
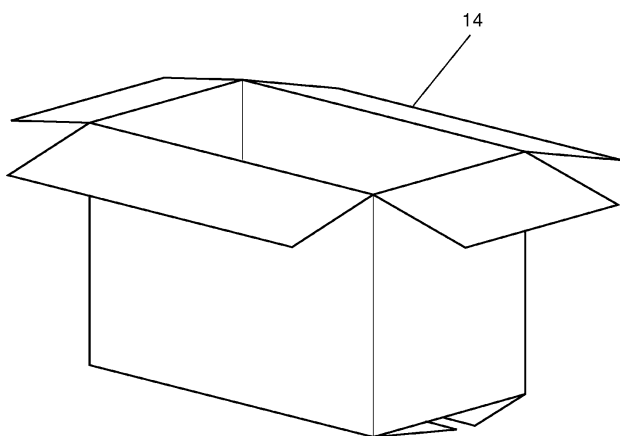
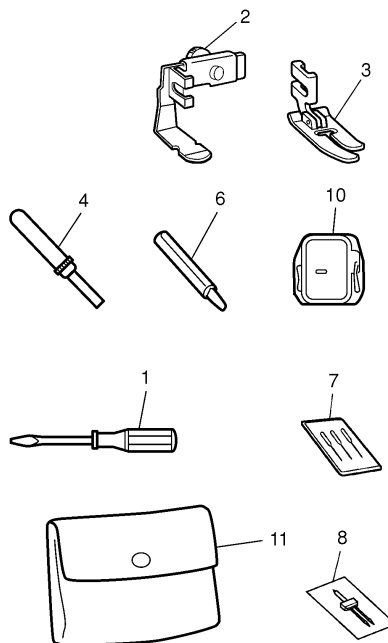
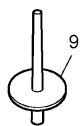
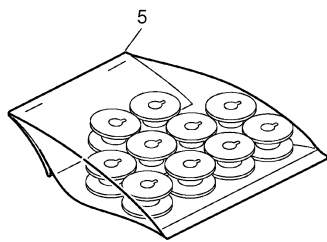


(4) PATTERN SELECTION, SHUTTLE HOOK AND UPPER TENSION

No.	CODE	PARTS NAME	REMARKS	No.	CODE	PARTS NAME	REMARKS
1	XA1008051	Cam drive connecting rod A assembly		39	XA1039050	Connecting rod pin	
	XA4693151	Cam drive connecting rod A assembly (New)		40	XA1040021	Spring	
2	XA1012051	Cam drive connecting rod B		41	025040133	Plain Washer	
	XA1012251	Cam drive connecting rod B (New)		42	XA1041121	Notched spring	
3	XA1014021	Cam drive connecting rod C assembly		43	060300416	Screw	
4	XA1017120	Rack		44	XA1313021	Stitch width knob	
5	052300606	Screw		45	138384021	Stop ring	
6	XA3439021	Spring		46	XA1043020	Zigzag cam	
7	146200051	Stop ring		47	XA1044021	Zigzag connecting rod spring	
8	048040346	Stop ring		48	XA1046251	Bobbin winder holder assembly	
9	060400816	Screw		49	XA1049021	Bobbin winder spindle assembly	
10	XA6909051	Toothed washer		50	X59939021	Bobbin winder spring	
11	131976050	Thrust washer		51	XA1050021	Stitch length knob spring	
12	XA1019021	Rack plate spring		52	XA1052051	Upper tension control dial	
13	X57884051	Screw		53	XA1055021	Upper tension control holder assembly	
14	X50559050	Nut		54	XA1058021	Upper tension control releasing lever	
15	062301006	Screw		55	XA1255121	Upper tension control dial plate	
16	X52077151	Collar					
17	014400432	Screw					
18	X53330050	Washer					
19	XA1317051	Shuttle race assembly					
20	128581053	Shuttle hook					
21	XA1021051	Shuttle driver assembly					
22	XA1025051	Driver shaft gear					
23	128582053	Bobbin case assembly					
24	X52800150	Bobbin					
25	014400632	Screw					
26	X57313151	Rack stopper					
27	X57908051	Screw					
28	XA5702021	Rack stopper A					
29	XA1026051	Zigzag connecting rod					
	XA3726051	Zigzag connecting rod (New)					
30	053400806	Screw					
31	XA1028021	Zigzag base assembly					
32	XA1311021	Needle position selector assembly					
33	XA1036021	Zigzag link					
34	X57953051	Screw					
35	X56960051	Nut					
36	048030346	Stop ring					
37	XA1037020	Zigzag adjuster connecting rod A					
38	XA1038051	Zigzag adjuster connecting rod B					







VX1140 VX1145 VX1250
BS2145 BS2250