

# **PARTS CATALOGUE**

**FOR**

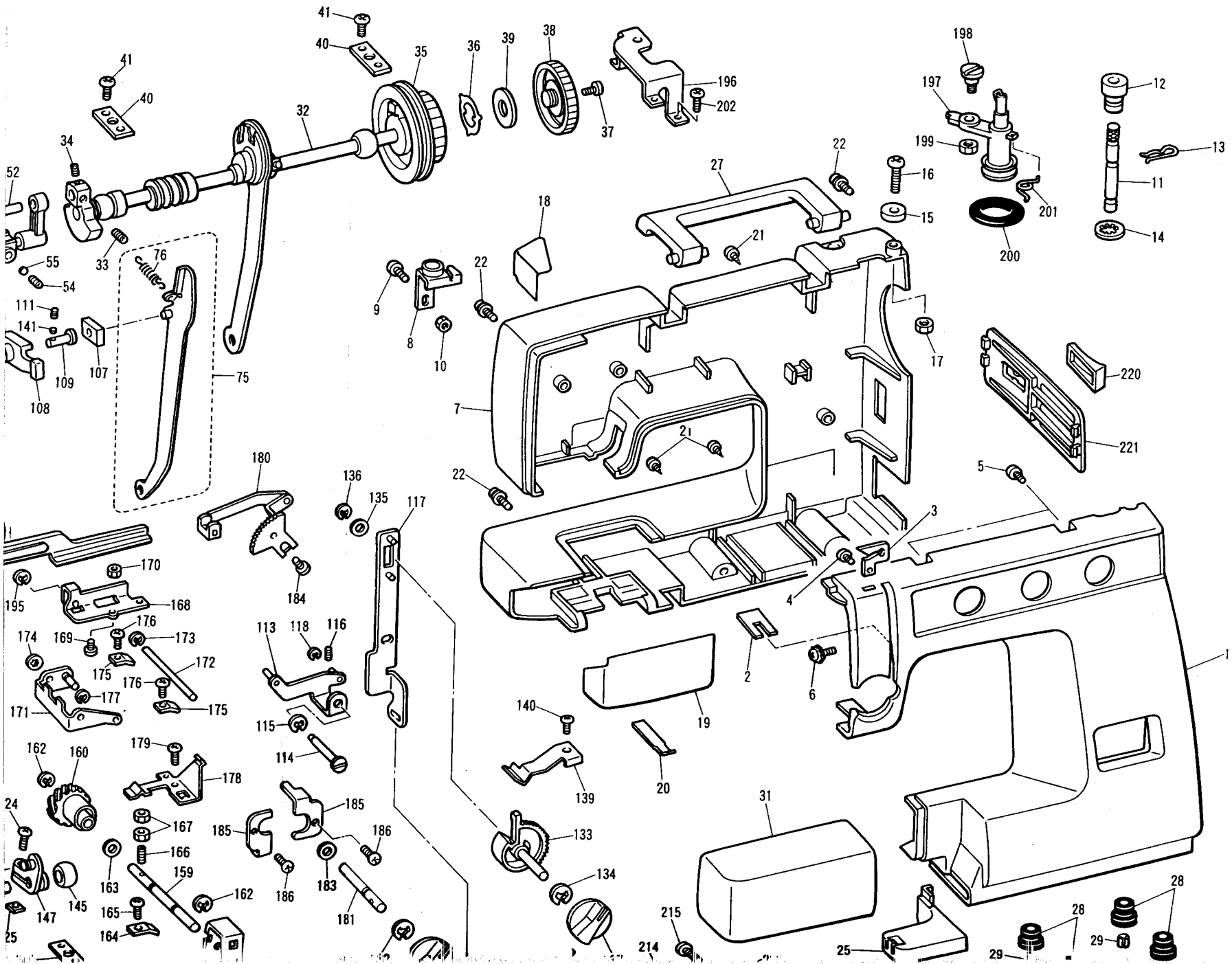
**VX 1100/1200**

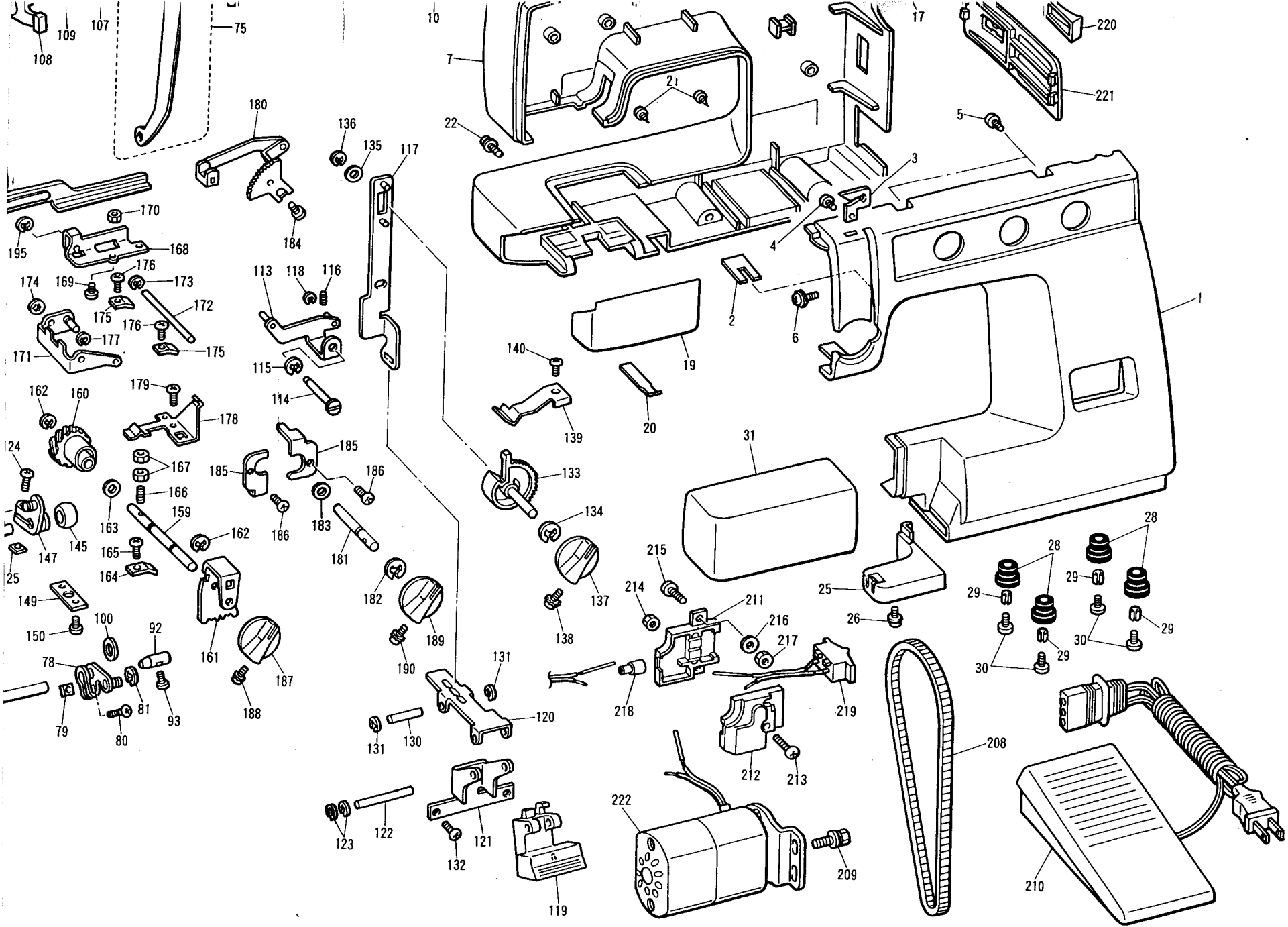
| REF. NO. | PARTS NO. | PARTS NAME            | REF. NO. | PARTS NO. | PARTS NAME                    |
|----------|-----------|-----------------------|----------|-----------|-------------------------------|
| 1        | X57886051 | FRONT COVER ASSEMBLY  | 32       | X57901051 | UPPER SHAFT ASSEMBLY          |
| 2        | X52442051 | THREAD GUIDE          | 33       | X54013051 | SET SCREW                     |
| 3        | X57887051 | THREAD GUIDE          | 34       | 123006051 | SCREW                         |
| 4        | 060300816 | SCREW                 | 35       | X54360051 | BALANCE WHEEL                 |
| 5        | UC1822001 | SCREW                 | 36       | X50792051 | STOP MOTION WASHER            |
| 6        | 053400806 | SCREW                 | 37       | 100043053 | STOP MOTION KNOB SCREW        |
| 7        | X57890051 | REAR COVER            | 38       | X54361051 | STOP MOTION KNOB              |
| 8        | 130894001 | THREAD GUIDE ASSEMBLY | 39       | 125096051 | WASHER                        |
| 9        | 060300816 | SCREW                 | 40       | X57907051 | BUSHING PRESSER               |
| 10       | 021300106 | NUT                   | 41       | X57908001 | SCREW                         |
| 11       | 188058001 | SPOOL PIN             | 42       | 136872151 | NEEDLE BAR                    |
| 12       | 188059051 | SPOOL PIN STAND       | 43       | X50109050 | NEEDLE BAR THREAD GUIDE       |
| 13       | 188060001 | SPRING                | 44       | X53053052 | SCREW                         |
| 14       | 189908001 | STOP RING             | 45       | 129627051 | NEEDLE CLAMP                  |
| 15       | X54338051 | BOBBIN PRESSER        | 46       | 131226051 | NEEDLE CLAMP SCREW            |
| 16       | 062301616 | SCREW                 | 47       | 125161080 | NEEDLE GUIDE PLATE            |
| 17       | 021300106 | NUT                   | 48       | X57909051 | NEEDLE BAR SUPPORTER          |
| 18       | X57891051 | REFLECTOR             | 49       | X57910051 | NEEDLE BAR SUPPORTER STUD     |
| 19       | X57892051 | HINGED DOOR           | 50       | 120110051 | SPRING                        |
| 20       | X53638151 | SPRING                | 51       | X52650151 | NEEDLE BAR CRANK ROD ASSEMBLY |
| 21       | UC1822001 | SCREW                 | 52       | X54372051 | NEEDLE BAR CRANK              |
| 21       | UC1822001 | SCREW                 | 53       | 132051052 | SCREW                         |
| 23       | X57893051 | FACE PLATE            | 54       | 014680432 | SCREW                         |
| 24       | 052401406 | SCREW                 | 55       | 100507050 | METAL PLATE                   |
| 25       | X57894051 | FOOT COVER            | 56       | 014400632 | SET SCREW                     |
| 26       | 136869051 | SCREW                 | 57       | X57911051 | NEEDLE PLATE                  |
| 27       | X57895051 | CARRYING HANDLE       | 58       | X50487051 | SCREW                         |
| 28       | X58361050 | RUBBER CUSHION        | 59       | 100028014 | NEEDLE #14                    |
| 29       | X56474001 | SPACER                | 60       | X54369051 | SPRING                        |
| 30       | 060400816 | SCREW                 | 61       | 138607050 | WASHER                        |
| 31       | X57896051 | ACCESSORY TABLE       | 62       | X52651051 | THREAD TAKE-UP LEVER ASSEMBLY |

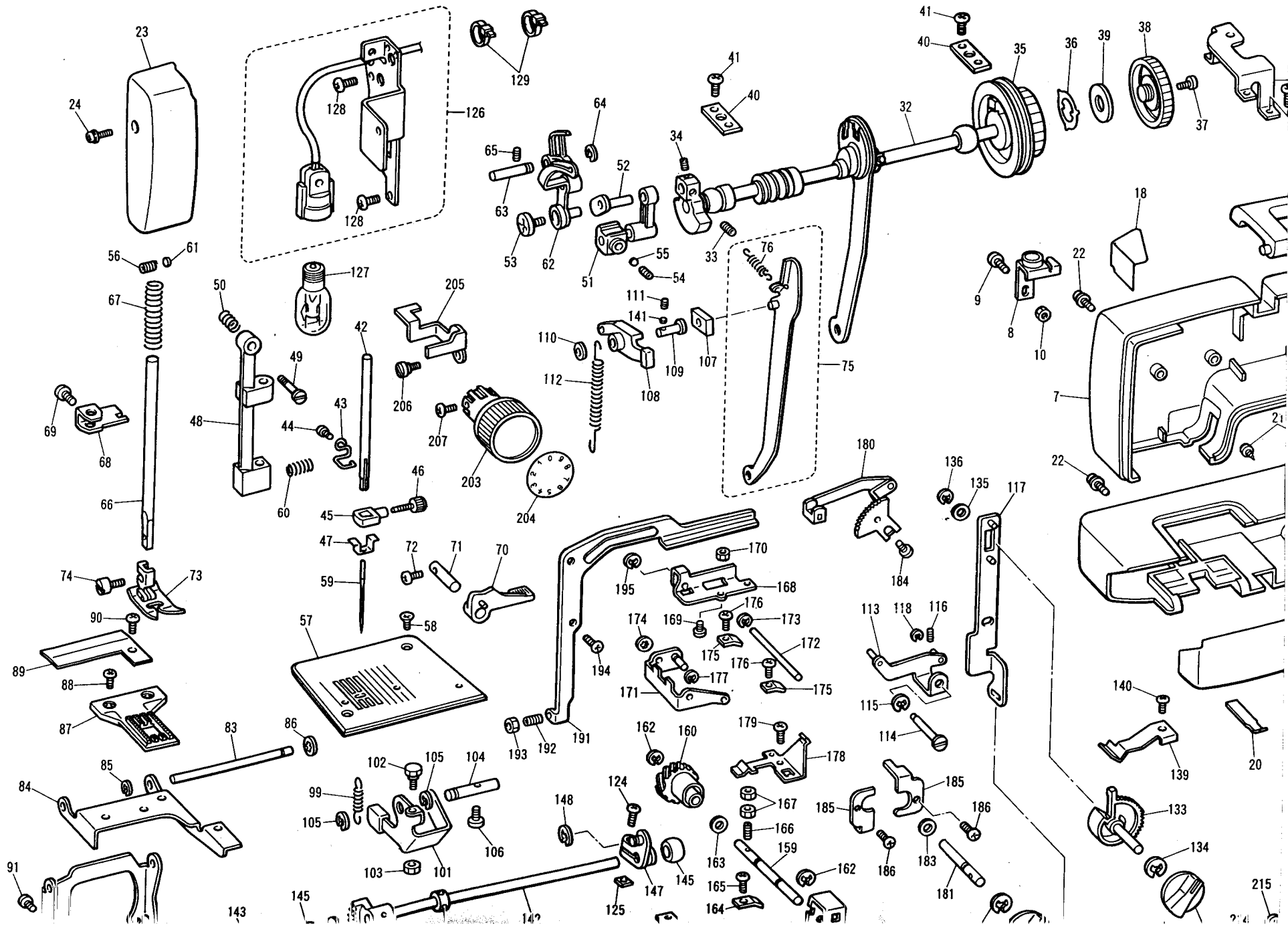
| REF. NO. | PARTS NO. | PARTS NAME                | REF. NO. | PARTS NO. | PARTS NAME                     |
|----------|-----------|---------------------------|----------|-----------|--------------------------------|
| 63       | X57912051 | THREAD TAKE-UP LEVER STUD | 94       | X54391150 | TAPAR POINT STUD L             |
| 64       | 048050346 | STOP RING                 | 95       | 062400416 | SCREW                          |
| 65       | 014400632 | SCREW                     | 96       | 137734051 | PRESSER PLATE                  |
| 66       | 128437050 | PRESSER BAR               | 97       | X57908001 | SCREW                          |
| 67       | X57914051 | PRESSER BAR SPRING        | 98       | X54392151 | SPRING                         |
| 68       | X57915051 | PRESSER BAR BRACKET       | 99       | X54393051 | SPRING                         |
| 69       | X52760051 | SCREW                     | 100      | X53330050 | WASHER                         |
| 70       | X51943151 | PRESSER FOOT LIFTER       | 101      | X54395051 | VERTICAL FEED ARM              |
| 71       | X54552051 | PRESSER FOOT LIFTER STUD  | 102      | X54397051 | ADJUSTING SCREW                |
| 72       | X57913001 | SCREW                     | 103      | 102571056 | NUT                            |
| 73       | 131046051 | ZIGZAG PRESSER FOOT       | 104      | X54398151 | VERTICAL FEED SHAFT            |
| 74       | 132730151 | SCREW                     | 105      | 048050346 | STOP RING                      |
| 75       | X54375051 | FEED CONNECTING ROD       | 106      | X57913001 | SCREW                          |
| 76       | X54378051 | SPRING                    | 107      | X55473051 | SLIDE BLOCK                    |
| 77       | X57917050 | HORIZONTAL FEED SHAFT     | 108      | X55369050 | FEED REGULATOR                 |
| 78       | X54381051 | HORIZONTAL FEED ARM       | 109      | X54402150 | FEED REGULATOR STUD            |
| 79       | X54384051 | NUT                       | 110      | x53330050 | WASHER                         |
| 80       | 060401416 | SCREW                     | 111      | 014400632 | SCREW                          |
| 81       | 048050346 | STOP RING                 | 112      | X54403051 | SPRING                         |
| 82       | X57919051 | HORIZONTAL FEED PLATE     | 113      | X57922051 | FEED REGULATING PLATE          |
| 83       | X57920051 | FEED STAND SHAFT          | 114      | X57926051 | FEED REGULATING PLATE STUD     |
| 84       | X54388151 | FEED STAND                | 115      | 048070346 | STOP RING                      |
| 85       | 048030346 | STOP RING                 | 116      | 014400632 | SCREW                          |
| 86       | 146200051 | STOP RING                 | 117      | X57927051 | FEED REGULATING CONNECTING ROD |
| 87       | X54389051 | FEED DOG                  | 118      | 048030346 | STOP RING                      |
| 88       | 060300416 | SCREW                     | 119      | X57930051 | REVERSE BUTTON WITH CHARACTER  |
| 89       | X55402151 | DUST PROTEC PLATE         | 119      | X57930052 | REVERSE BUTTON WITH SYMBOL     |
| 90       | 060300416 | SCREW                     | 120      | X57931051 | REVERSE SPRING                 |
| 91       | 060400816 | SCREW                     | 121      | X57932051 | REVERSE BUTTON HOLDER          |
| 92       | X54390051 | TAPER POINT STUD R        | 122      | X57933051 | REVERSE BUTTON SHAFT           |
| 93       | X57913001 | SCREW                     | 123      | 048030346 | STOP RING                      |

| REF. NO. | PARTS NO. | PARTS NAME                    | REF. NO. | PARTS NO. | PARTS NAME                    |
|----------|-----------|-------------------------------|----------|-----------|-------------------------------|
| 124      | 060401416 | SCREW                         | 152      | 128581051 | SHUTTLE HOOK                  |
| 125      | X54384051 | NUT                           | 153      | X54429051 | SHUTTLE DRIVER                |
| 126      | X57975051 | U. S. A. : SEW-LIGHT ASSEMBLY | 154      | X54432051 | COLLAR                        |
|          | X58229051 | CANADA : SEW-LIGHT ASSEMBLY   | 155      | X55384051 | SHUTTLE DRIVER SHAFT GEAR     |
|          | X57981051 | 220-240V: SEW-LIGHT ASSEMBLY  | 156      | 128582083 | BOBBIN CASE ASSEMBLY          |
| 127      | X53061050 | 120V : SEW-LIGHT BULB         | 157      | X52800050 | BOBBIN                        |
|          | 205336050 | 240V : SEW-LIGHT BULB         | 158      | 014400632 | SCREW                         |
| 128      | X57908001 | SCREW                         | 159      | X57945051 | ZIGZAG CAM SHAFT              |
| 129      | X53169050 | BAND                          | 160      | X57946050 | ZIGZAG CAM                    |
| 130      | X57934051 | REVERSE SPRING SHAFT          | 161      | X57947051 | NEEDLE POSITION NOTCHED PLATE |
| 131      | 048030346 | STOP RING                     | 162      | 048050346 | STOP RING                     |
| 132      | X57908001 | SCREW                         | 163      | X53330050 | WASHER                        |
| 133      | X57935051 | FEED MANUAL SHAFT ASSEMBLY    | 164      | X55862151 | PRESSER PLATE                 |
| 134      | 048050346 | STOP RING                     | 165      | X57908001 | SCREW                         |
| 135      | 128491051 | WASHER                        | 166      | X57950001 | SCREW                         |
| 136      | 048050346 | STOP RING                     | 167      | X56960001 | NUT                           |
| 137      | X57938051 | Z-F DIAL                      | 168      | X57952051 | ZIGZAG LINK PLATE             |
| 138      | U12017051 | SCREW                         | 169      | X57953051 | SCREW                         |
| 139      | X57939051 | SPRING                        | 170      | X56960001 | NUT                           |
| 140      | X57884051 | SCREW                         | 171      | X57955051 | NEEDLE POSITION PLATE         |
| 141      | 138607050 | WASHER                        | 172      | X57957051 | NEEDLE POSITION PLATE SHAFT   |
| 142      | X58483051 | LOWER SHAFT ASSEMBLY          | 173      | 048030346 | STOP RING                     |
| 143      | X54423051 | VERTICAL FEED CAM             | 174      | 146200001 | STOP RING                     |
| 144      | X51383050 | WASHER                        | 175      | X55862151 | PRESSER PLATE                 |
| 145      | X52664050 | LOWER SHAFT BUSHING           | 176      | X57908001 | SCREW                         |
| 146      | 137767151 | COLLAR                        | 177      | 048030346 | STOP RING                     |
| 147      | X57941051 | LOWER SHAFT CRANK ASSEMBLY    | 178      | X57960051 | NOTCHED PLATE SPRING          |
| 148      | 048050346 | STOP RING                     | 179      | X57908001 | SCREW                         |
| 149      | X57943051 | BUSHING PRESSER               | 180      | X57962051 | ZIGZAG LEVER ASSEMBLY         |
| 150      | X57908001 | SCREW                         | 181      | X57967051 | ZIGZAG LEVER SHAFT            |
| 151      | X56767051 | SHUTTLE RACE ASSEMBLY         | 182      | 048050346 | STOP RING                     |

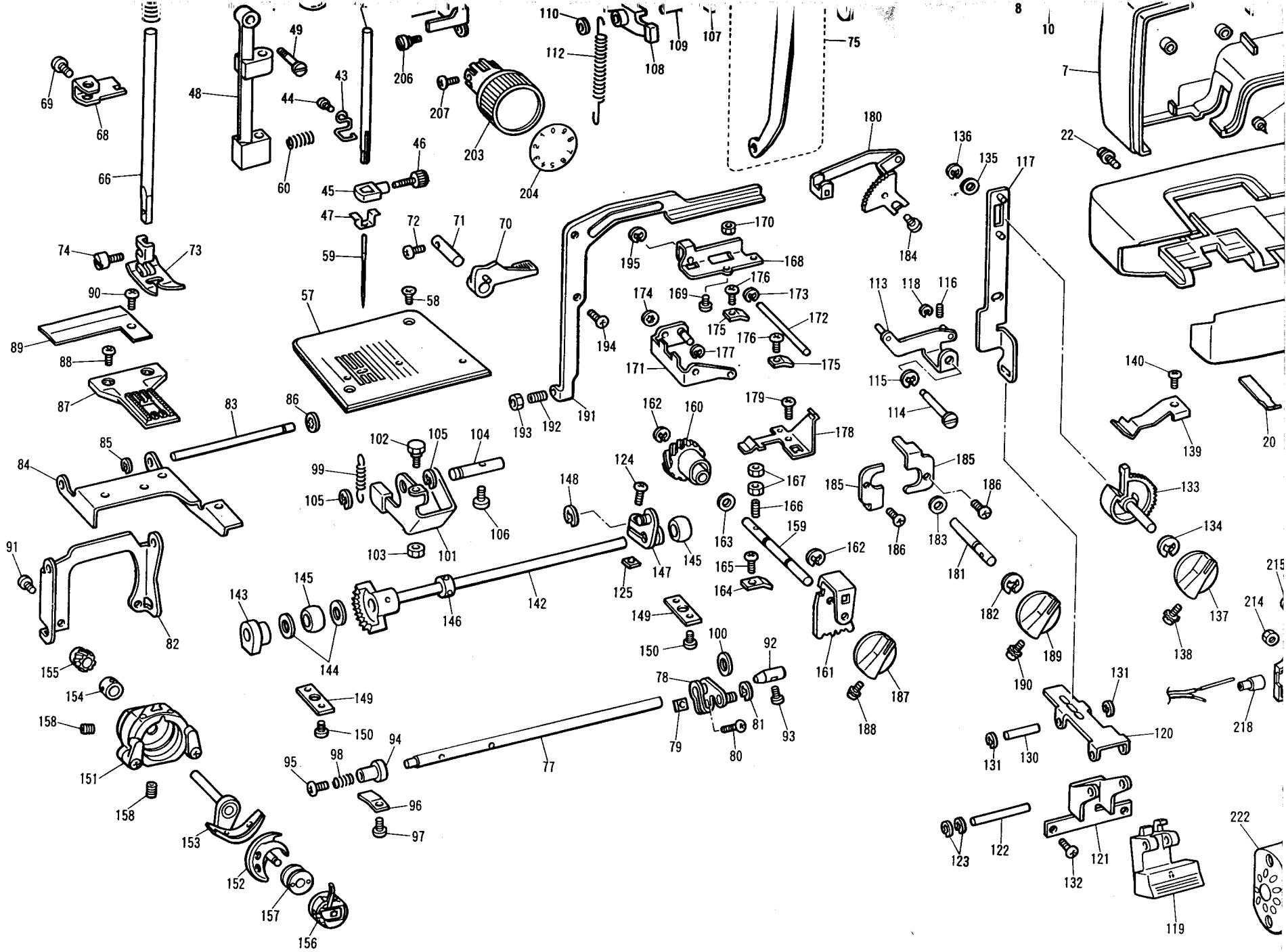
| REF. NO. | PARTS NO. | PARTS NAME                 | REF. NO. | PARTS NO.   | PARTS NAME                           |
|----------|-----------|----------------------------|----------|-------------|--------------------------------------|
| 183      | X53330050 | WASHER                     | 213      | 062301602   | SCREW                                |
| 184      | 060300816 | SCREW                      | 214      | 021300106   | NUT                                  |
| 185      | X57968051 | Z WIDTH ADJUSTING PLATE    | 215      | 060401416   | SCREW                                |
| 186      | 060400816 | SCREW                      | 216      | 025040133   | WASHER                               |
| 187      | X57969051 | NEEDLE POSITION DIAL       | 217      | 021400205   | NUT                                  |
| 188      | U12017051 | SCREW                      | 218      | 214808000   | EXCEPT CANADA : CLOSED-END CONNECTOR |
| 189      | X57938051 | F-Z DIAL                   |          | 131182051   | CANADA : CLOSED-END CONNECTOR        |
| 190      | U12017051 | SCREW                      | 219      | X57983051   | 120V : POWER SWITCH ASSEMBLY         |
| 191      | X57970051 | ZIGZAG CONNECTING ROD      |          | X57986051   | 220-240V : POWER SWITCH ASSEMBLY     |
| 192      | 011401212 | SCREW                      |          | X58227051   | CANADA : POEWR SWITCH ASSEMBLY       |
| 193      | X56960001 | NUT                        | 220      | X57554051   | POWER SWITCH KEY-TOP                 |
| 194      | 060400816 | SCREW                      | 221      | X57990051   | SWITCH HOLDER                        |
| 195      | 048040346 | STOP RING                  | 222      | X57041051   | 120V : MOTOR                         |
| 196      | X57972051 | BOBBIN WINDER BRACKET      |          | X55352051   | CANADA : MOTOR                       |
| 197      | X57973051 | BOBBIN WINDER ASSEMBLY     |          | 13127834642 | 220V : MOTOR                         |
| 198      | 120263051 | STUD SCREW                 |          | 13127134672 | 230V : MOTOR                         |
| 199      | 102571056 | SCREW                      |          | 13127134696 | 240V : MOTOR                         |
| 200      | 120448051 | BOBBIN WINDER RUBBER RING  |          | 13129234694 | 110/220V : MOTOR                     |
| 201      | X52102051 | SPRING                     |          | 13129234695 | 127/220V : MOTOR                     |
| 202      | X57908001 | SCREW                      |          | - 128585051 | ZIPPER FOOT                          |
| 203      | X55903151 | THREAD TENSION DIAL        |          | - X52800050 | BOBBIN                               |
| 204      | X52419054 | THREAD TENSION DIAL DISC   |          | - X57117051 | NEEDL SET                            |
| 205      | X57974051 | TENSION RELEASER           |          | - 130920051 | SPOOL PIN                            |
| 206      | X52073051 | STUD SCREW                 |          | - 131865051 | FEED COVER PLATE                     |
| 207      | X54520051 | SCREW                      |          | - 194410011 | INSTRUCTION BOOK FOR VX1100/1200     |
| 208      | 130944051 | BELT                       |          | - X60283051 | CARTON BOX FOR VX1100                |
| 209      | X55609001 | SCREW                      |          | - X60283052 | CARTON BOX FOR VX1200                |
| 210      | J00360051 | 120 V : FOOT CONTROLLER    |          | - X60284050 | STYROFOAM FRONT                      |
|          | J00492051 | 220-240V : FOOT CONTROLLER |          | - X60285050 | STYROFOAM REAR                       |
| 211      | 138596051 | 3P SOCKET BODY             |          |             |                                      |
| 212      | 138597051 | 3P SOCKET COVER            |          |             |                                      |











VX1100/1200 (885-410)

T3030128

PRINTED IN TAIWAN