

PARTS CATALOGUE FOR

MODEL B349(STAR20E, PS-1950, M880)

B351(STAR30E, PS-2000)

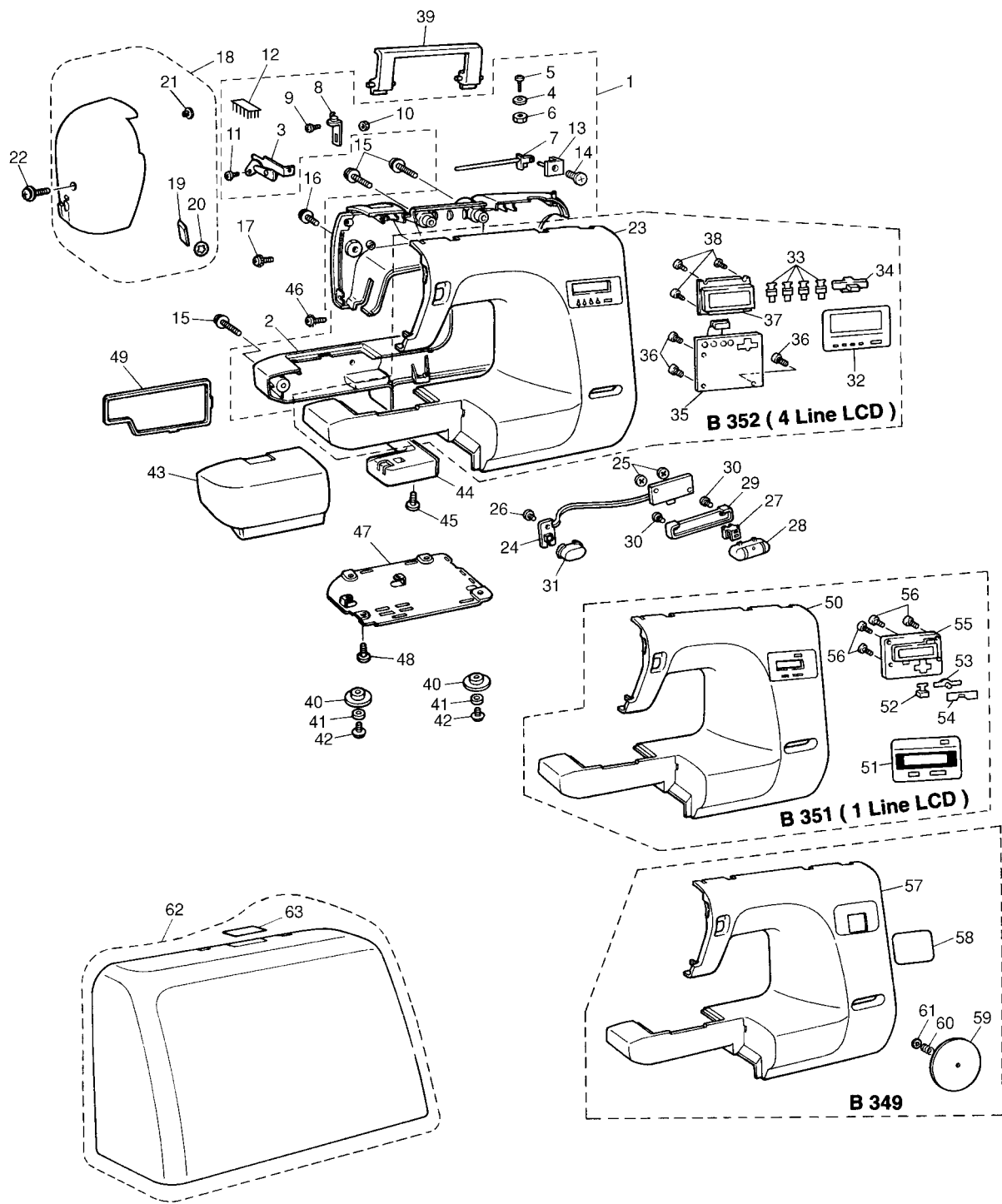
B352(STAR40E, PS-2100)

CONTENTS

(1) PRINCIPAL PARTS	2
(2) UPPER SHAFT AND NEEDLE BAR.....	4
(3) FEED MECHANISM AND ROTARY HOOK.....	8
(4) BH MECHANISM AND ZIGZAG MECHANISM.....	10
(5) LAMP, THREAD GUIDE, MAIN PCB ASSY AND MOTOR UNIT.....	12
(6) ACCESSORY	14

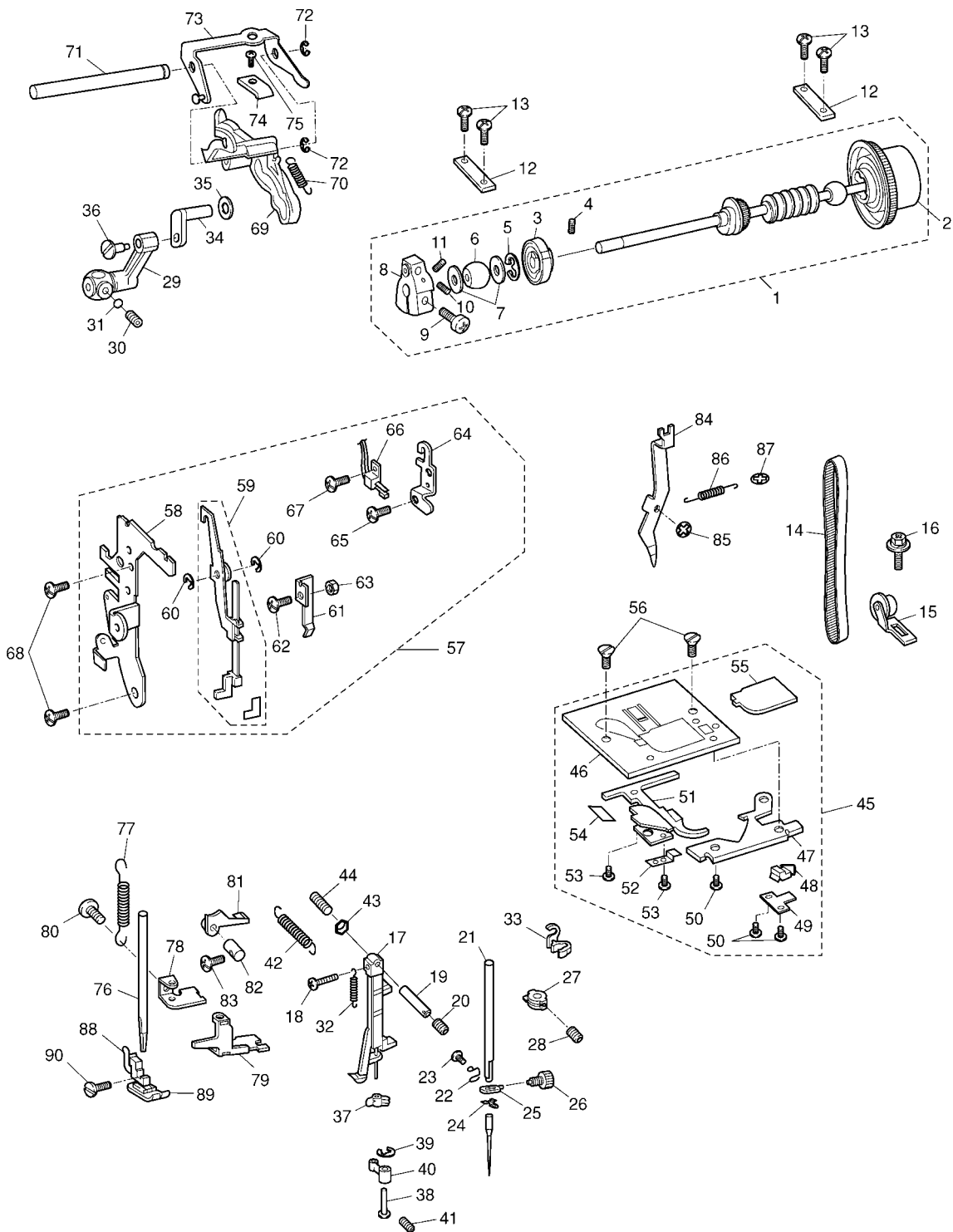
(1) PRINCIPAL PARTS

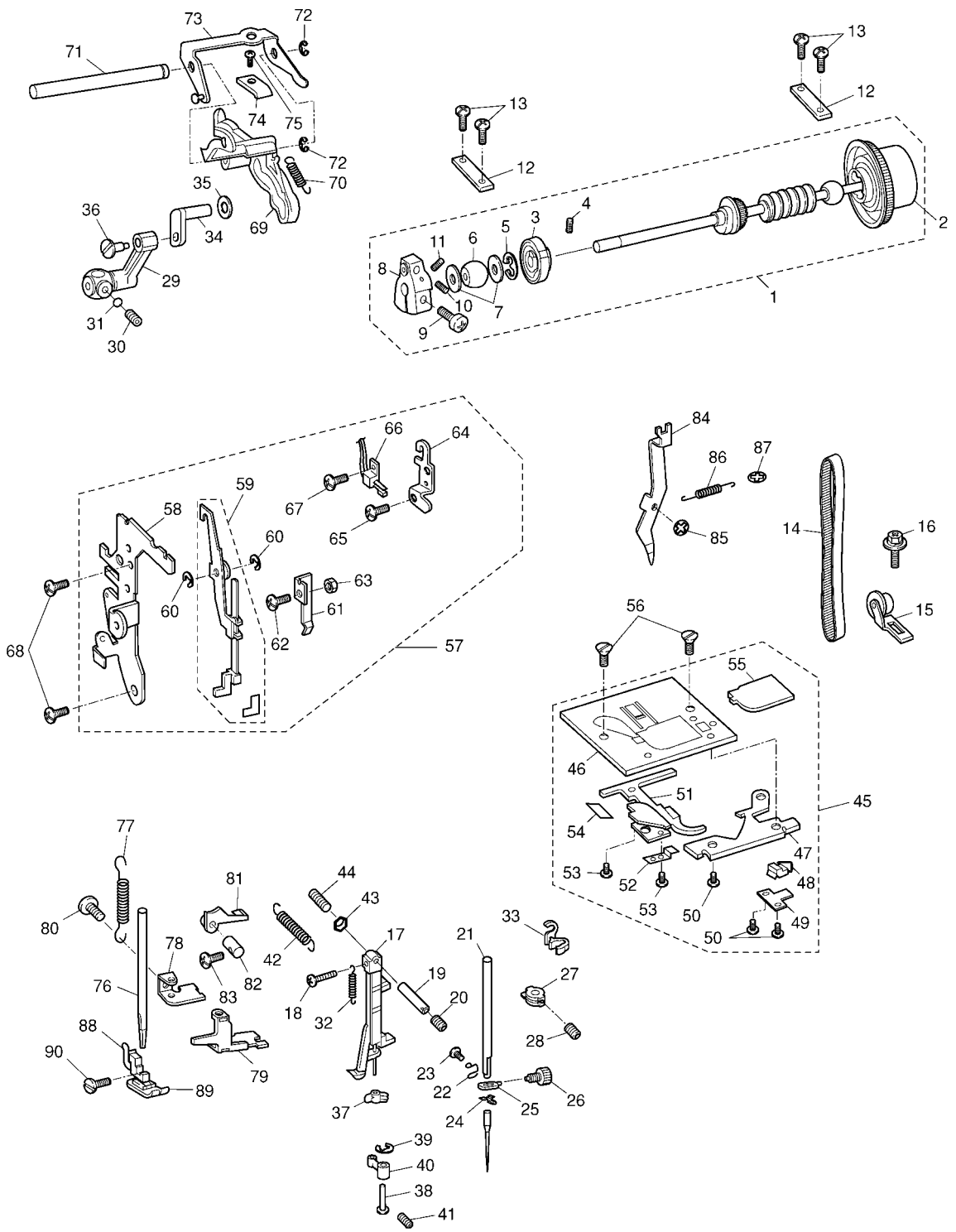
No.	CODE	PARTS NAME	REMARKS	No.	CODE	PARTS NAME	REMARKS
1	XA1126151	Rear cover ASSY		41	X56474051	Spacer	
2	XA0396151	Rear cover		42	X57908051	Taptite, Bind S M4×10	
3	X59862051	Thread guide ASSY		43	X59872151	Accessory table	
4	X59864151	Bobbin presser		44	X59873151	Foot cover	
5	052301606	Screw, Pan(S/P washer)M3×16		45	052401205	Screw, Pan(S/P washer)M4×12	
6	021300106	Nut, 1 M3		46	053400806	Screw, Pan(T washer)M4×8	
7	X59053051	Spool pin		47	X59874050	Base cover	
8	X53252051	Bobbin winder thread guide ASSY		48	X57908051	Taptite, Bind S M4×10	
9	U12017051	Screw, Pan(T washer)M3×6		49	XA0521052	Accessory table lid	
10	021300106	Nut, 1 M3		50	XA0393051	Front cover(PS-2000)	
11	138433051	Taptite, Pan B M3X6			XA0393052	Front cover(STAR30E)	
12	X52654001	Pile		51	XA1194051	Decoration plate(B351)	
13	XA6380051	Spool pin holder ASSY		52	X52936055	Massage key top(B351)	
14	138433051	Taptite, Pan B M3×6		53	X52938055	LCD contrast key(B351)	
15	XA3337051	Taptite, Cup P M4×20		54	X52939055	Contrast key cover(B351)	
16	052401406	Screw, Pan(S/P washer)M4×14		55	X59760051	LCD unit ASSY (B351:Spanish/English)	
17	053400806	Screw, Pan(T washer)M4×8			X59760052	LCD unit ASSY (B351:Italian/German)	
18	XA1337151	Face plate ASSY			X59760053	LCD unit ASSY (B351:Danish/Swedish)	
19	X80321051	Thread cutter			X59760054	LCD unit ASSY (B351:Norwegian/Finnish)	
20	XA0199051	Retaining ring CSTW-8			X59760055	LCD unit ASSY (B351:Dutch/French)	
21	X51895051	Face plate bush			X59760056	LCD unit ASSY (B351:German/French)	
22	052401406	Screw, Pan(S/P washer)M4×14			X59760057	LCD unit ASSY (B351:English/French)	
23	XA0392051	Front cover(PS-2100)		56	138433051	Taptite, Pan B M3×6(B351)	
	XA0392052	Front cover(STAR40E)		57	XA0394051	Front cover(PS-1950)	
24	XA1675051	SS VR board ASSY			XA0394052	Front cover(STAR20E)	
25	146200051	Retaining ring CSTW-4			XA0394053	Front cover(M880)	
26	138433051	Taptite, Pan B M3×6		58	X59870061	Decoration plate (B349:PS-1950, STAR20E)	
27	X59381050	Slide block			XA4513001	Decoration plate(B349:M880)	
28	X59382051	Speed key top		59	XA1202051	Pattern indicator plate(B349)	
29	X59383051	Key top holder		60	X50223051	SS key top spring(B349)	
30	138433051	Taptite, Pan B M3×6		61	146200051	Retaining ring CSTW-4(B349)	
31	X59886052	SS button(PS-2100)		62	X52769652	Machine cover ASSY	
	X59886051	SS button(STAR40E)		63	X52762051	Medallion	
32	XA0609051	Decoration plate (B352 U.S.A., Canada)					
	XA0609052	Decoration plate(B352)					
33	X59748053	Massage key top(B352)					
34	X59749053	LCD contrast key(B352)					
35	X59654251	LCD control unit ASSY(B352)					
36	138433051	Taptite, Pan B M3×6(B352)					
37	X59659051	LCD unit(B352)					
38	138433051	Taptite, Pan B M3×6(B352)					
39	X59101151	Carrying handle					
40	X55942151	Rubber cushion					



(2) UPPER SHAFT AND NEEDLE BAR

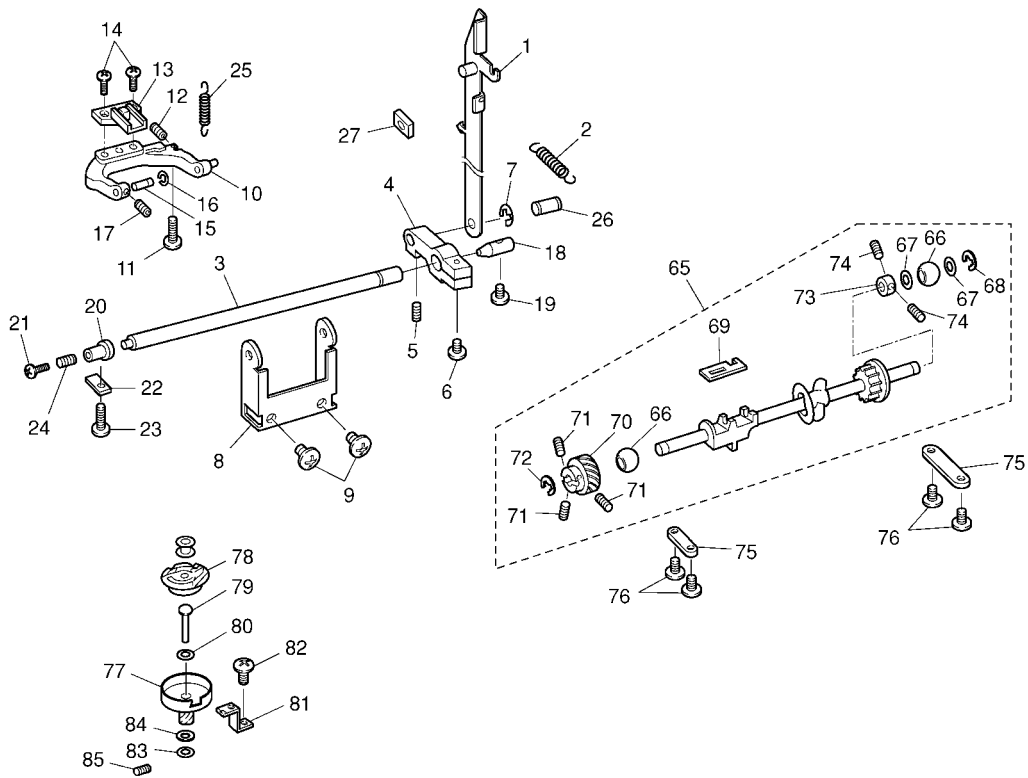
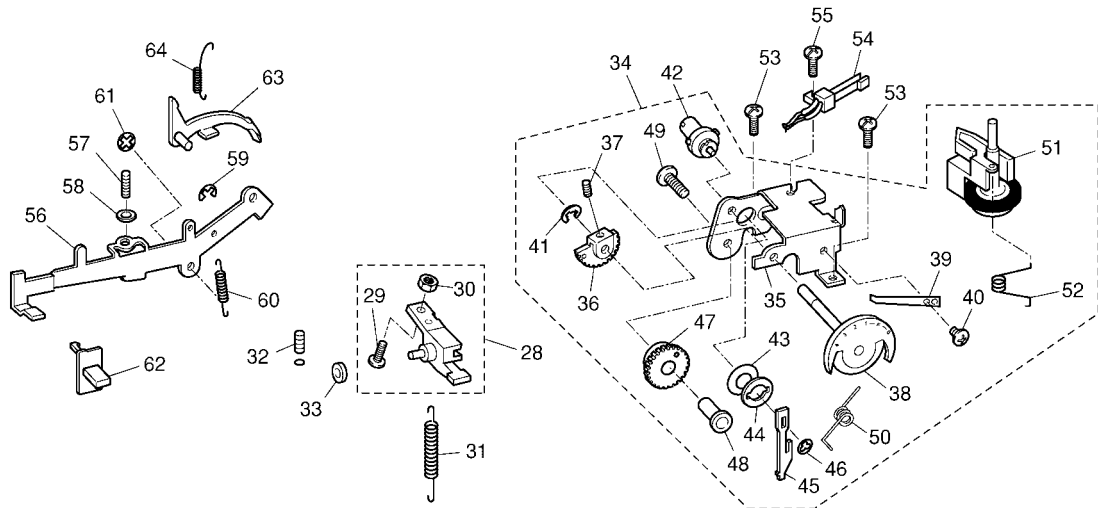
No.	CODE	PARTS NAME	REMARKS	No.	CODE	PARTS NAME	REMARKS
1	XA6386151	Upper shaft ASSY		45	X59896051	Needle plate ASSY	
2	X57370051	Pulley		46	X59897051	Needle plate	
3	XA1089051	Tension control cam ASSY		47	X57415251	Inner rotary hook presser	
4	014400432	Set screw, Socket(CP)M4×4		48	X56026051	Sliding button	
5	048080346	Retaining ring E8		49	X57416051	Sliding button supporting plate	
6	X52663050	Metal		50	060260316	Screw, Bind M2.6×3	
7	131976050	Washer		51	X57826051	Thread cutter cover ASSY	
8	X50468150	Eccentric counter weight		52	X56029050	Spring	
9	062062506	Screw, Pan M6×25		53	060260316	Screw, Bind M2.6×3	
10	X54013051	Set screw, Socket(FT)SM6.35		54	X80321051	Thread cutter	
11	151603001	Set screw, Socket(FT)SM4.37		55	X56828151	Needle plate cover	
12	X57907051	Bushing presser		56	X50487051	Screw M4	
13	X57908051	Taptite, Bind S M4×10		57	XA5456151	Face plate positioning plate ASSY	
14	XA6452151	Belt		58	XA5458151	Face plate positioning plate	
15	XA0523051	Tension pulley ASSY		59	X58475051	BH lever ASSY	
16	XA3004051	Screw, Pan(S/P washer)M5×12		60	048030346	Retaining ring E3	
17	X59890251	Needle bar supporter ASSY		61	XZ0028051	BH lever spring	
18	X57984051	Taptite, Bind S M3×20		62	060300616	Screw, Bind M3×6	
19	X59980051	Needle bar supporter stud		63	021300106	Nut, 1 M3	
20	012400432	Set screw, Socket (FT) M4×4		64	XA1151051	BH switch holder	
21	X59893051	Needle bar		65	060630312	Screw, Bind SM2.38	
22	X50109150	Needle bar thread guide		66	X55390051	BH switch ASSY	
23	X53053052	Screw SM2.38		67	062020416	Screw, Pan M2×4	
24	125161180	Needle guide plate		68	X57908051	Taptite, Bind S M4×10	
25	129627051	Needle clamp		69	X51931001	Thread take-up lever ASSY	
26	131226051	Needle clamp screw		70	X51935051	Spring extension	
27	X52882150	Thread positioner		71	X51936151	Thread take-up lever stud	
28	014400432	Set screw, Socket(CP)M4×4		72	048050346	Retaining ring E5	
29	X56822051	Needle bar crank rod ASSY		73	X51937051	Tension control link ASSY	
30	014680432	Set screw, Socket(CP)SM4.37		74	X51879151	Shaft presser	
31	100507050	Metal plate		75	062400816	Screw, Pan M4×8	
32	X50476051	Spring extension		76	X57396051	Presser bar	
33	X58962150	Bushing		77	137736051	Presser bar spring	
34	X56824151	Needle bar crank		78	X52689051	Presser bar guide bracket	
35	X51163051	Washer		79	X51942051	Tension release plate A	
36	X50483051	Stud screw		80	X52760051	Set screw, Pan M6×12	
37	X54817102	Hook ASSY		81	X51943151	Presser foot lifter	
38	X51926051	Stud shaft		82	X51944051	Presser foot lifter stud	
39	048025346	Retaining ring E2.5		83	062401216	Screw, Pan M4×12	
40	X51927050	Needle bar supporter arm		84	X52653151	Tension release plate C	
41	014400432	Set screw, Socket(CP)M4×4		85	120454051	Retaining ring CSTW-3	
42	X59952051	Spring extension		86	X51946051	Spring extension	
43	X56851051	Nut		87	120454051	Retaining ring CSTW-3	
44	014401032	Set screw, Socket(CP)M4×10		88	138134051	Presser foot holder ASSY	

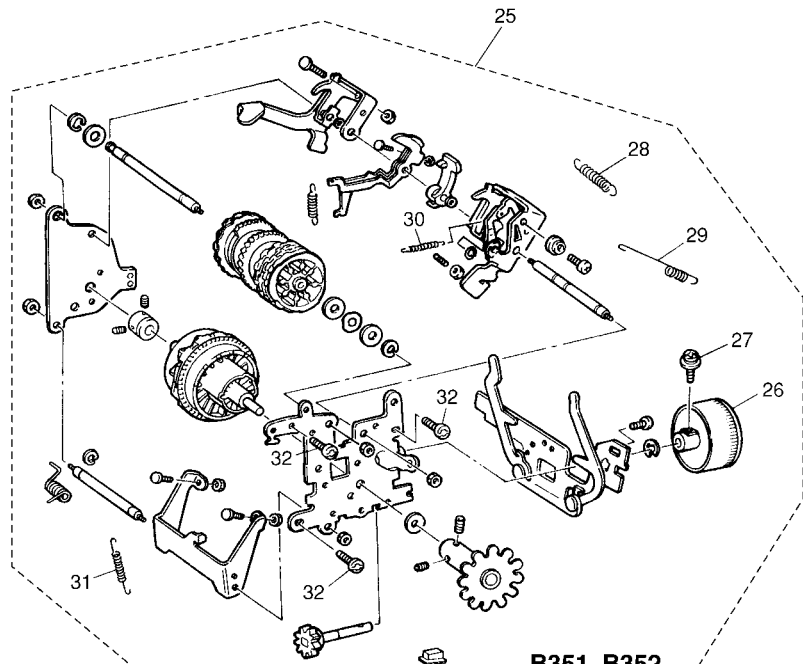
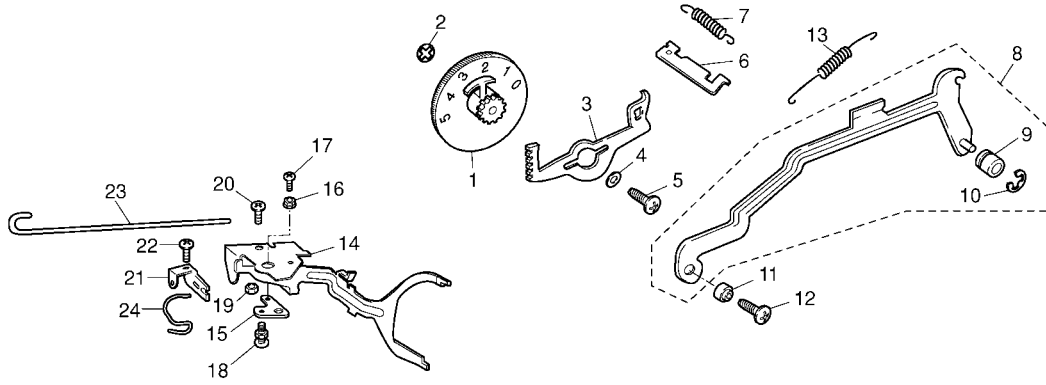




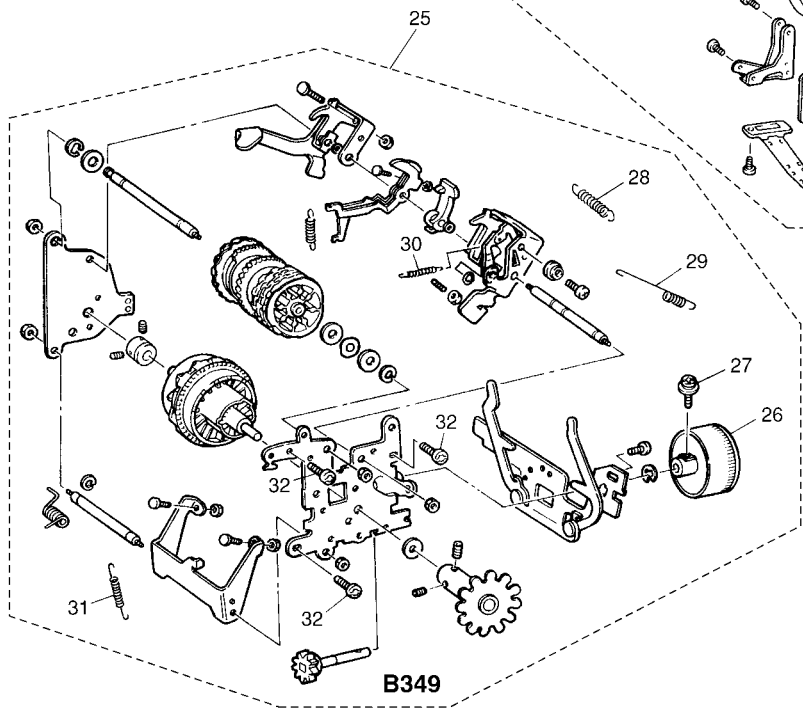
(3) FEED MECHANISM AND ROTARY HOOK

No.	CODE	PARTS NAME	REMARKS	No.	CODE	PARTS NAME	REMARKS
1	X59900151	Feed connecting rod		45	X59930051	BH adjusting lever	
2	X59905051	Spring extension		46	138334051	Retaining ring CSTW-2	
3	X59907050	Horizontal feed shaft		47	X59931050	Feed gear B	
4	X57362051	Horizontal feed arm		48	X59932050	Feed gear shaft	
5	014400432	Set screw, Socket(CP)M4×4		49	060401416	Screw, Bind M4×14	
6	X59255051	Screw, Bolt M4×14		50	X59933051	Spring torsion	
7	048050346	Retaining ring E5		51	X59934051	Bobbin winder ASSY	
8	X59911051	Horizontal feed plate		52	X59939051	Spring torsion	
9	060400816	Screw, Bind M4×8		53	X57908051	Taptite, Bind S M4×10	
10	X59913051	Feed bar ASSY		54	XA0016051	BW switch ASSY	
11	X59916051	Vertical feed finger		55	062260516	Screw, Pan M2.6×5	
12	012400432	Set screw, Socket(FT)M4×4		56	XA0624051	Reverse sewing lever A ASSY	
13	X58946051	Feed dog		57	X57950051	Set screw, Socket(FT)M4×25	
14	060300516	Screw, Pan M3×5		58	X56851051	Nut	
15	X59918051	Feed bar shaft		59	048030346	Retaining ring E3	
16	048025346	Retaining ring E2.5		60	XA1110051	Spring extension	
17	014400432	Set screw, Socket(CP)M4×4		61	120454051	Retaining ring CSTW-3	
18	X54390051	Taper point stud R		62	X59941051	Reverse sewing button	
19	X57913051	Taptite, Bind S M4×16		63	X59942051	Reverse sewing lever B ASSY	
20	X54391150	Taper point stud L		64	X59945051	Spring extension	
21	062400416	Screw, Pan M4×4		65	XA7233051	Lower shaft ASSY	
22	137734051	Presser plate		66	X52664050	Lower shaft bushing	
23	X57908051	Taptite, Bind S M4×16		67	X51383050	Washer	
24	X56613051	Spring compression		68	048060346	Retaining ring E6	
25	X54393151	Spring extension		69	XA1138051	Spring	
26	X57345051	Horizontal feed arm stud		70	X52752051	Lower shaft gear ASSY	
27	XA0030051	Slide block		71	014400432	Set screw, Socket(CP)M4×4	
28	XA0029051	Feed regulator ASSY		72	048060346	Retaining ring E6	
29	X59200051	Screw		73	137768151	Set collar	
30	X56960051	Nut, 3 M4		74	014400432	Set screw, Socket(CP)M4×4	
31	X59921051	Spring extension		75	X57943051	Bushing presser	
32	014400632	Set screw, Socket(CP)M4×6		76	X57908051	Taptite, Bind S M4×10	
33	X53330050	Washer		77	X52487051	Outer rotary hook ASSY	
34	X59922051	Feed bracket plate ASSY		78	X57035351	Inner rotary hook ASSY	
35	X59923151	Feed bracket plate		79	137804151	Outer rotary hook shaft	
36	X59924051	Feed dial gear A		80	X53183051	Washer	
37	014400832	Set screw, Socket(CP)M4×8		81	X54134081	Inner rotary hook bracket	
38	X59925051	Feed dial		82	060400616	Screw, Bind M4×6	
39	X56839051	Notched spring		83	137805051	Washer	
40	060300516	Screw, Bind M3×5		84	137976051	Washer	
41	048040346	Retaining ring E4		85	014400632	Set screw, Socket(CP)M4×6	
42	X59927051	BH adjusting knob					
43	X59928051	Spring washer					
44	X59929051	Washer					





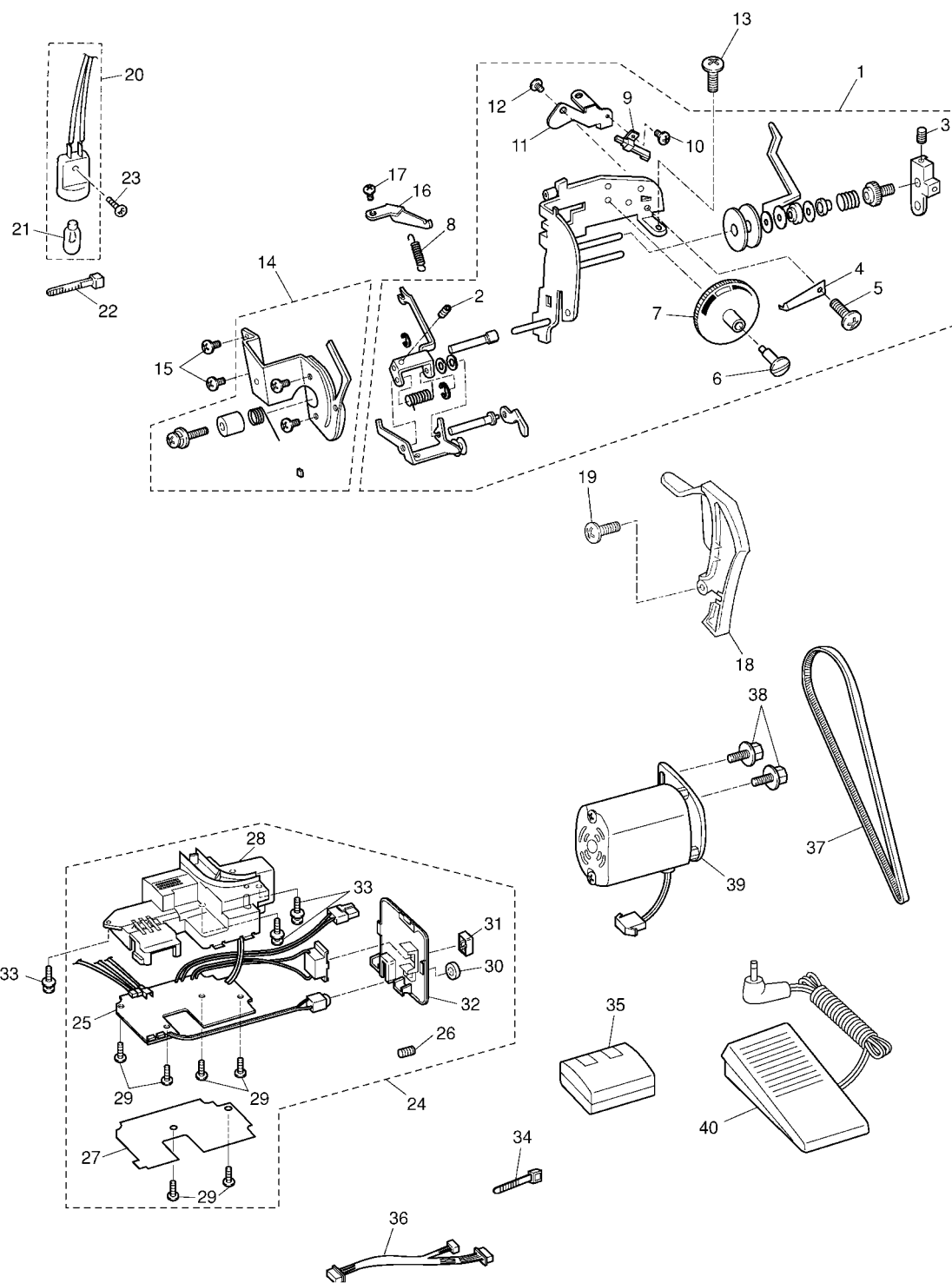
B351, B352



B349

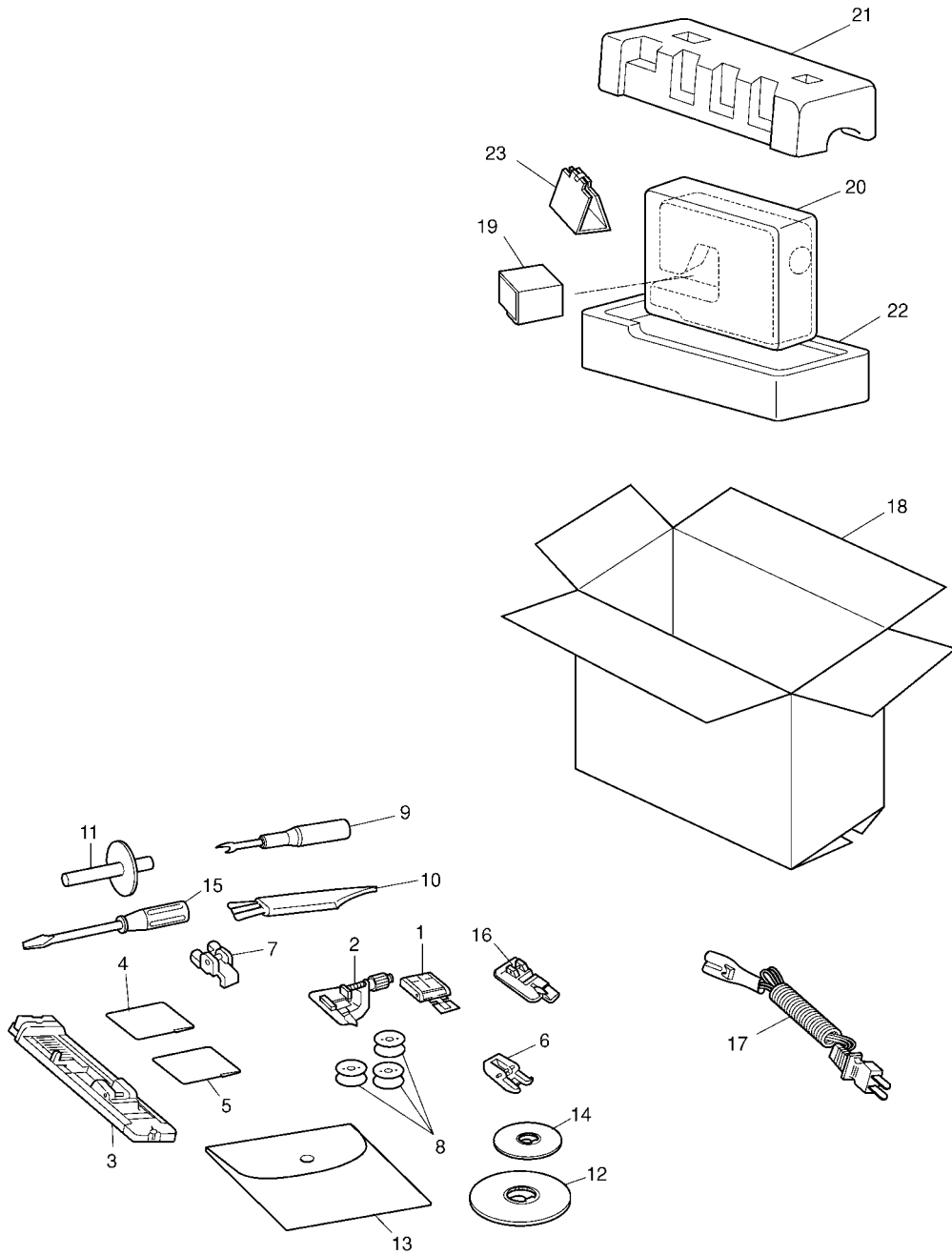
(5) LAMP, THREAD GUIDE, MAIN PCB ASSY AND MOTOR UNIT

No.	CODE	PARTS NAME	REMARKS	No.	CODE	PARTS NAME	REMARKS
1	XA1143251	Thread guide ASSY		25	XA3020051	PC board ASSY(B351 110V)	
2	014400432	Set screw, Socket(CP)M4×4			XA1205251	PC board ASSY(B349 120V)	
3	012400432	Set screw, Socket(FT)M4×4			XA1475351	PC board ASSY(B349 230V)	
4	X56839051	Notched spring			XA3007051	PC board ASSY(B349 110V)	
5	062300416	Screw, Pan M3×4		26	XA1199051	G fuse 3.5AA(110V 120V)	
6	X52120051	Tension dial shaft			XA1463051	G fuse 2AT(230V)	
7	XA0527151	Tension dial		27	XA0012051	Insulation plate	
8	X52883051	Spring extension		28	XA0013251	Insulation cover	
9	XA0014051	BT switch ASSY			XA0013252	Insulation cover(U.S.A., Canada)	
10	062260516	Screw, Pan M2.6×5		29	X59629051	Taptite, Bind S M3×10	
11	XA0027051	BT switch holder		30	X51271001	Nut	
12	060300516	Screw, Bind M3×5		31	X57554051	PW switch key-top	
13	060400816	Screw, Bind M4×8		32	XA0022052	Switch cover	
14	X56900151	Thread take-up spring holder ASSY		33	052401406	Screw, Pan (S/P washer) M4×14	
15	060400816	Screw, Bind M4×8		34	X53169050	Band	
16	XA1147051	Spring holder		35	XA2830050	Cover	
17	060400416	Screw, Bind M4×4		36	XA1677051	LCD cord ASSY(B352 B351)	
18	XA0526051	Thread guard cover		37	X57064051	Belt	
19	060300516	Screw, Bind M3×4		38	XA3004051	Screw, Pan (S/P washer) M5×12	
20	XA5460051	Lamp socket ASSY		39	XA3009051	Motor complete(120V)	
21	X50228051	Sew-light bulb			XA1492051	Motor complete(230V)	
22	X53169050	Band			XA5428051	Motor complete(110V)	
23	002261205	Screw, Pan M2.6×12		40	J02087051	Foot controller complete	
24	XA1148251	Power supply PC board ASSY (B352 120V)					
	XA1453351	Power supply PC board ASSY (B352 230V)					
	XA1148251	Power supply PC board ASSY (B351 120V)					
	XA1453351	Power supply PC board ASSY (B351 230V)					
	XA3019051	Power supply PC board ASSY (B351 110V)					
	XA1204251	Power supply PC board ASSY (B349 120V)					
	XA1474351	Power supply PC board ASSY (B349 230V)					
	XA3006051	Power supply PC board ASSY (B349 110V)					
25	XA1149251	PC board ASSY(B352 120V)					
	XA1454351	PC board ASSY(B352 230V)					
	XA1149251	PC board ASSY(B351 120V)					
	XA1454351	PC board ASSY(B351 230V)					



(6) ACCESSORY

No.	CODE	NAME	REMARKS	No.	CODE	NAME	REMARKS
1	X59370051	Zipper foot		22	X61086050	Bottom foam packing	
2	X59372051	Blind stitch foot		23	X60436050	Pad	
3	XA4911051	Button hole foot					
4	X57117051	Needle pack (regular single needle No.14:3pcs.)					
5	X57521001	Twin needle(1pack)					
6	X53189001	Transparent foot					
7	X59375051	Button sewing foot					
8	136492151	Bobbin					
9	X54243001	Ripper					
10	X59476051	Brush					
11	130920051	Extra spool pin					
12	130012053	Spool holder(large)					
13	XA1363051	Bag					
14	130013053	Spool holder(small)					
15	X55467051	Screwdriver					
16	X59371051	Narrow-hemmer foot					
17	XA2815051	Power supply cord (U.S.A., Canada)					
	X59354051	Power supply cord(England)					
	XA0070051	Power supply cord(Europe)					
	X59328051	Power supply cord(Australia)					
	XA1291051	Power supply cord(Korea)					
	XA5820051	Power supply cord(China)					
18	X60954051	Carton (B352 PS2100 U.S.A., Canada)					
	X60954051	Carton(B352 STAR40E)					
	X60954063	Carton(B352 PS2100)					
	X60348059	Carton(B351 PS2000 Canada)					
	X60954052	Carton(B351 STAR30E)					
	X60348066	Carton(B351 STAR30E South africa,Singapore, U.Arab emirates)					
	X61070052	Carton (B351 R3200 U.S.A., Canada)					
	X60954058	Carton (B349 PS1950 U.S.A., Canada)					
	X60954053	Carton(B349 STAR20E)					
	X60348065	Carton (B349 STAR20E U.Arab emirates)					
	X61084051	Carton(B349 M880)					
19	X60726050	Foot controller box					
20	X60439150	Polyethylene bag					
21	X61128050	Top foam packing					



B349
B351
B352