

PARTS CATALOGUE FOR

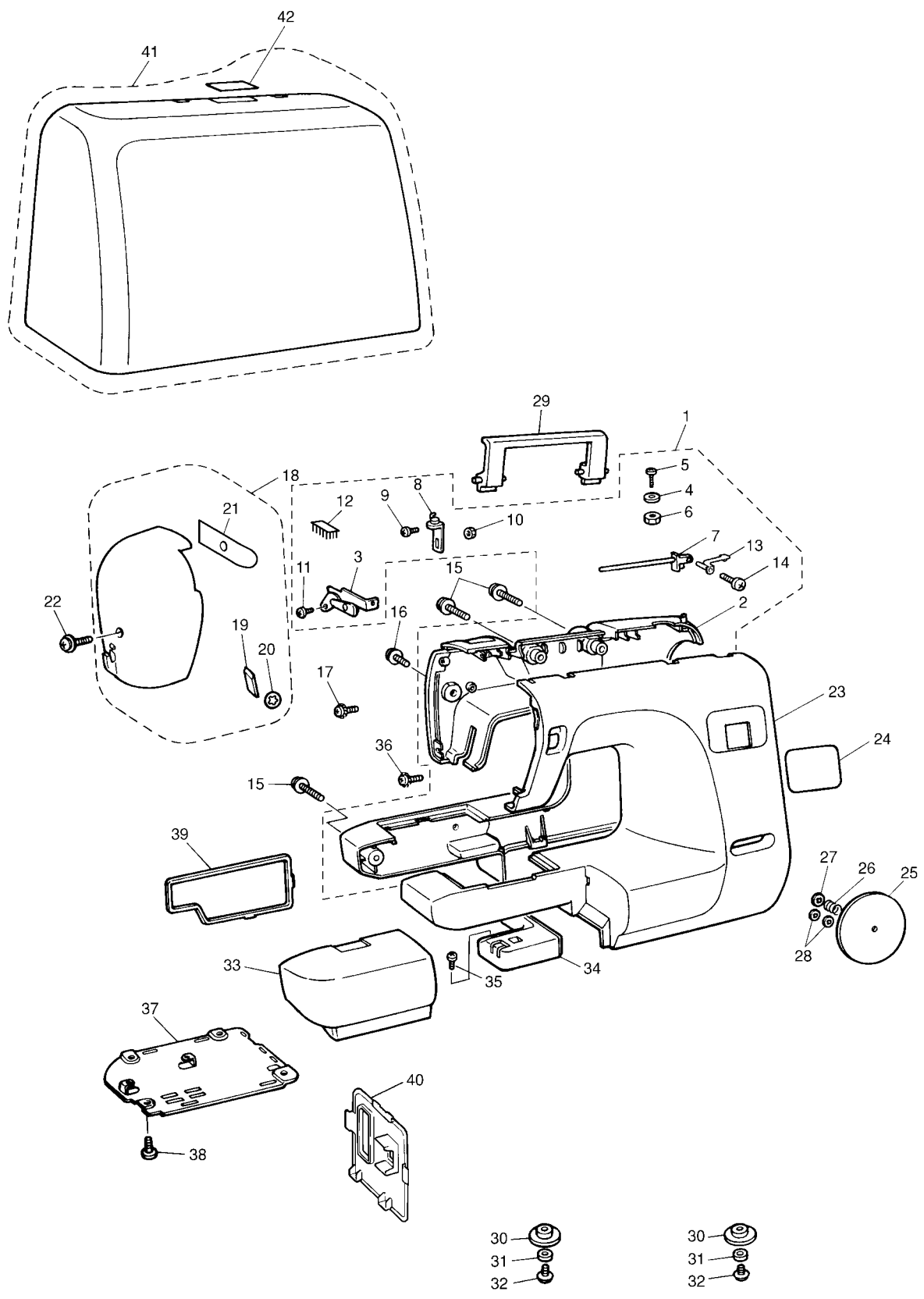
**MODEL B347(PS-1250, STAR10/2000)
B348(PS-1800, STAR15/20,
MY STAR15, R3100, DIANA)**

CONTENTS

(1) PRINCIPAL PARTS	2
(2) UPPER SHAFT AND NEEDLE BAR.....	4
(3) FEED MECHANISM AND ROTARY HOOK.....	6
(4) BH MECHANISM AND ZIGZAG MECHANISM.....	8
(5) LAMP, THREAD GUIDE AND MOTOR UNIT.....	10
(6) ACCESSORY.....	12

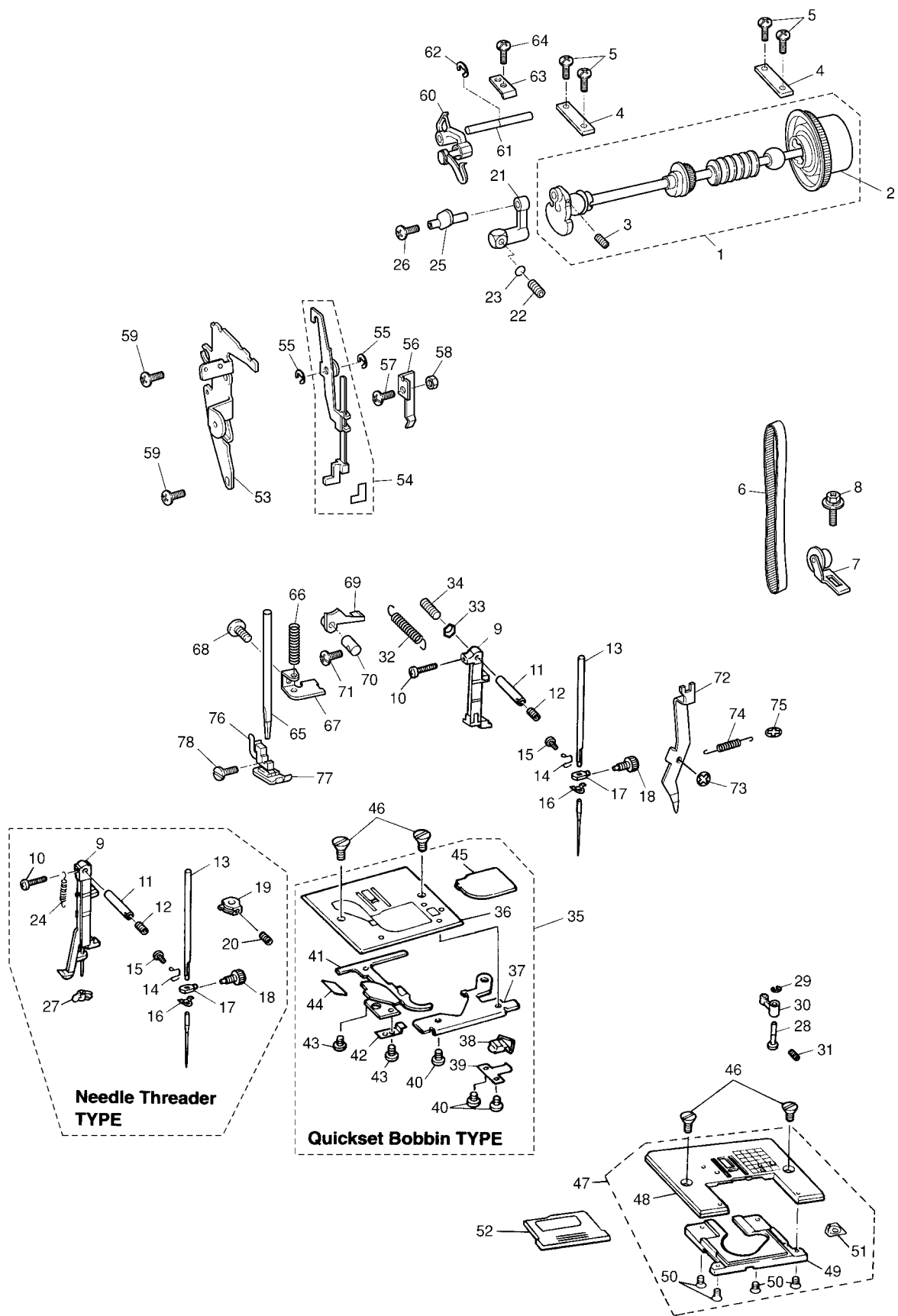
(1) PRINCIPAL PARTS

No.	CODE	PARTS NAME	REMARKS	No.	CODE	PARTS NAME	REMARKS
1	XA1126151	Rear cover ASSY		27	146200051	Retaining ring CSTW-4	
2	XA0396151	Rear cover		28	X57355050	Spacer	
3	X59862051	Thread guide ASSY		29	X59101151	Carrying handle	
4	X59864151	Bobbin presser		30	X55942151	Rubber cushion	
5	052301606	Screw, Pan(S/P washer)M3×16		31	X56474051	Spacer	
6	021300106	Nut, 1 M3		32	X57908051	Taptite, Bind S M4×10	
7	X59053051	Spool pin		33	X59872151	Accessory table	
8	X53252051	Bobbin winder thread guide ASSY		34	X59873151	Foot cover	
9	U12017051	Screw, Pan(T washer)M3×6		35	052401205	Screw, Pan(S/P washer)M4×12	
10	021300106	Nut, 1 M3		36	053400806	Screw, Pan(T washer)M4×8	
11	138433051	Taptite, Pan B M3×6		37	X59874050	Base cover	
12	X52654001	Pile		38	X57908051	Taptite, Bind S M4×10	
13	XA6380051	Spool pin holder ASSY		39	XA0521052	Accessory table lid	
14	138433051	Taptite, Pan B M3×6		40	XA0330352	Switch cover	
15	XA3337051	Taptite, Cup P M4×20		41	X52769652	Machine cover ASSY	
16	052401406	Screw, Pan(S/P washer)M4×14		42	X52762051	Medallion	
17	053400806	Screw, Pan(T washer)M4×8					
18	XA0352051	Face plate ASSY					
19	X80321051	Thread cutter					
20	XA0199051	Retaining ring CSTW-8					
21	XA0353051	Face plate sheet					
22	052401406	Screw, Pan(S/P washer)M4×14					
23	XA0395051	Front cover(B347 PS-1250)					
	XA0395053	Front cover(B348 PS-1800)					
	XA0395054	Front cover(B347 STAR10)					
	XA0395055	Front cover(B348 STAR15)					
	XA0395056	Front cover(B348 MYSTAR15)					
	XA0395057	Front cover(B348 STAR20)					
	XA0395058	Front cover(B347 STAR2000)					
	XA0395059	Front cover(B348 R3100)					
	XA0395060	Front cover(B348 DIANA)					
24	X59870062	Decoration plate (B347 PS-1250,STAR10)					
	X59870064	Decoration plate (B348 PS-1800,STAR15)					
	X59870069	Decoration plate (B348 MYSTAR15)					
	X59870070	Decoration plate (B348 STAR20,DIANA, B347 STAR2000)					
	X59870078	Decoration plate(B348 R3100)					
25	XA1202051	Pattern indicator plate(B348)					
	X59871054	Pattern indicator plate(B347)					
26	X50223051	SS key top spring					



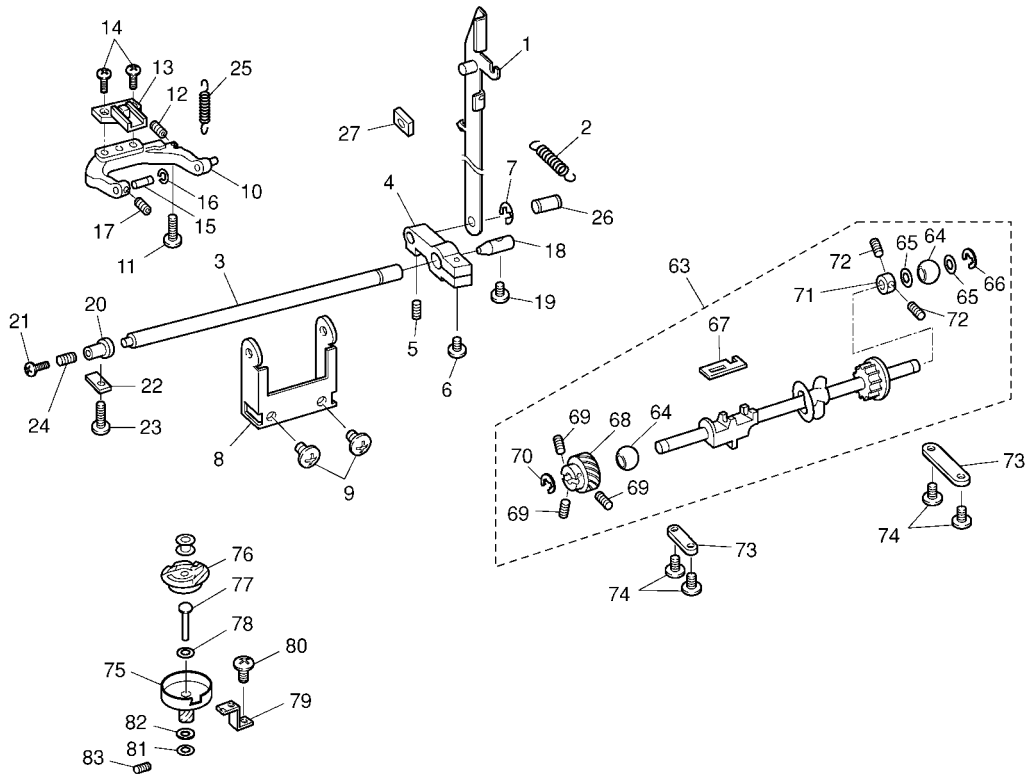
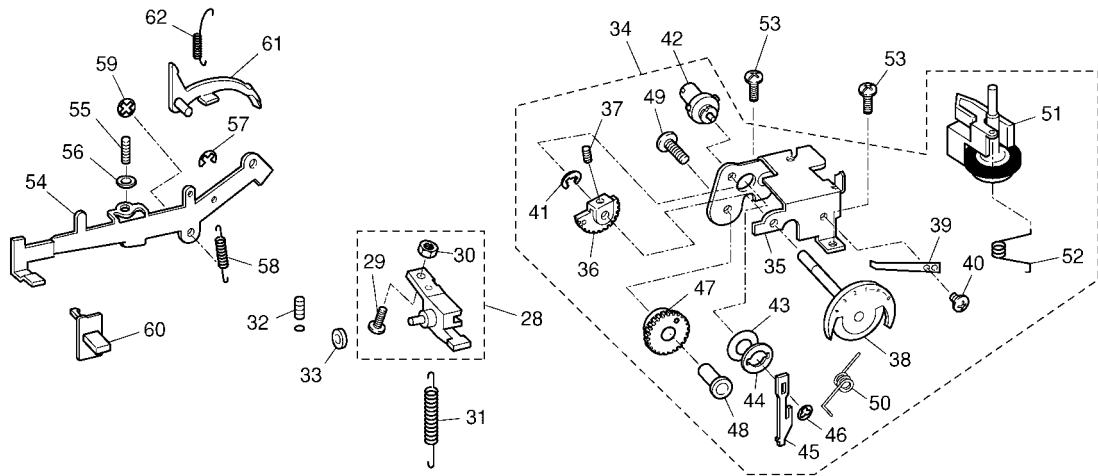
(2) UPPER SHAFT AND NEEDLE BAR

No.	CODE	PARTS NAME	REMARKS	No.	CODE	PARTS NAME	REMARKS
1	XA7231151	Upper shaft ASSY		43	060260316	Screw, Bind M2.6×3	
2	X57370051	Pulley		44	X80321051	Thread cutter	
3	X54013051	Set screw, Socket(FT)SM6.35		45	X56828151	Needle plate cover	
4	X57907051	Bushing presser		46	X50487051	Screw M4	
5	X57908051	Taptite, Bind S M4×10		47	XA0332151	Needle plate ASSY	
6	XA6452151	Belt		48	XA0333051	Needle plate	
7	XA0523051	Tension pulley ASSY		49	X55860451	Inner rotary hook presser	
8	XA3004051	Screw, Pan(S/P washer)M5×12		50	061300416	Screw M3	
9	X59955151	Needle bar supporter ASSY		51	X50657051	Sticker	
	X59890251	Needle bar supporter ASSY (Needle threader type)		52	137727051	Slide plate	
10	X57984051	Taptite, Bind S M3×20		53	XA1243051	Face plate positioning plate ASSY	
11	X59980051	Needle bar supporter stud		54	X58475051	BH lever ASSY	
12	012400432	Set screw, Socket (FT) M4×4		55	048030346	Retaining ring E3	
13	X59893051	Needle bar		56	XZ0028051	BH lever spring	
14	X50109150	Needle bar thread guide		57	060300616	Screw, Bind M3×6	
15	X53053052	Screw SM2.38		58	021300106	Nut, 1 M3	
16	125161180	Needle guide plate		59	X57908051	Taptite, Bind S M4×10	
17	129627051	Needle clamp		60	X52651151	Thread take-up lever ASSY	
18	131226051	Needle clamp screw		61	X52640151	Thread take-up lever stud	
19	X52882150	Thread positioner		62	048050346	Retaining ring E5	
20	014400432	Set screw, Socket(CP)M4×4		63	X51879151	Shaft presser	
21	X52650151	Needle bar crank rod ASSY		64	062400816	Screw, Pan M4×8	
22	014680432	Set screw, Socket(CP)SM4.37		65	X54301052	Presser bar	
23	100507050	Metal plate		66	X57914151	Presser bar spring	
24	X50476051	Spring extension		67	X57915051	Presser bar guide bracket	
25	X55904051	Needle bar crank		68	X52760051	Set screw, Pan M6×12	
26	132051052	Screw 3.57L		69	X51943151	Presser foot lifter	
27	X54817102	Hook ASSY		70	X51944051	Presser foot lifter stud	
28	X51926051	Stud shaft		71	062401216	Screw, Pan M4×12	
29	048025346	Retaining ring E2.5		72	X52653151	Tension release plate C	
30	X51927050	Needle bar supporter arm		73	120454051	Retaining ring CSTW-3	
31	014400432	Set screw, Socket(CP)M4×4		74	X51946051	Spring extension	
32	X59952051	Spring extension		75	120454051	Retaining ring CSTW-3	
33	X56851051	Nut		76	138134051	Presser foot holder ASSY	
34	014401032	Set screw, Socket(CP)M4×10		77	X51953051	Zigzag presser foot	
35	X59896051	Needle plate ASSY		78	132730151	Screw	
36	X59897051	Needle plate					
37	X57415251	Inner rotary hook presser					
38	X56026051	Sliding button					
39	X57416051	Sliding button supporting plate					
40	060260316	Screw, Bind M2.6×3					
41	X57826051	Thread cutter cover ASSY					
42	X56029050	Spring					



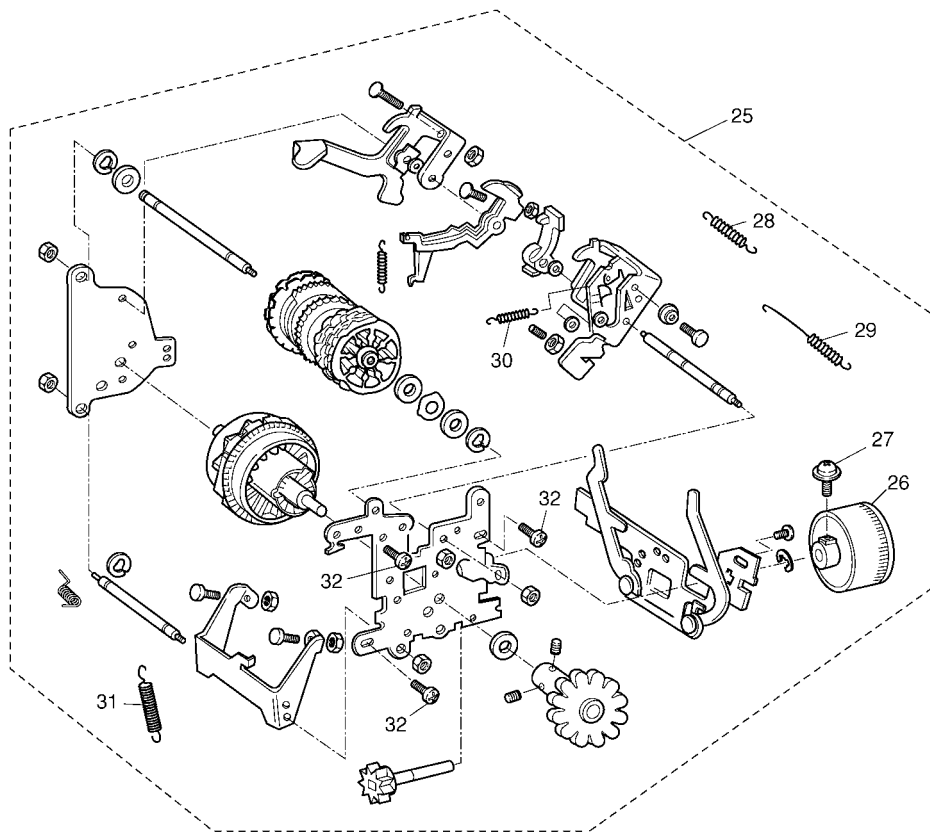
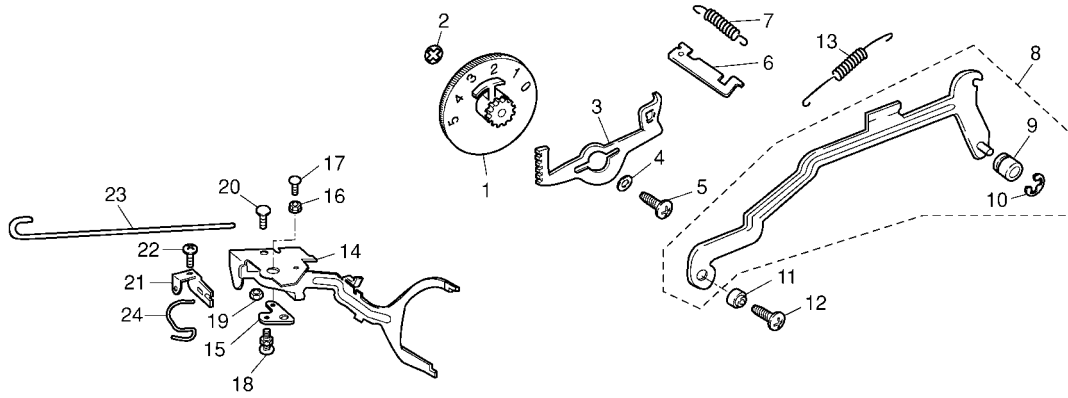
(3) FEED MECHANISM AND ROTARY HOOK

No.	CODE	PARTS NAME	REMARKS	No.	CODE	PARTS NAME	REMARKS
1	X59900151	Feed connecting rod		45	X59930051	BH adjusting lever	
2	X59905051	Spring extension		46	138334051	Retaining ring CSTW-2	
3	X59907050	Horizontal feed shaft		47	X59931050	Feed gear B	
4	X57362051	Horizontal feed arm		48	X59932050	Feed gear shaft	
5	014400432	Set screw, Socket(CP)M4×4		49	060401416	Screw, Bind M4×14	
6	X59255051	Screw, Bolt M4×14		50	X59933051	Spring torsion	
7	048050346	Retaining ring E5		51	X59934051	Bobbin winder ASSY	
8	X59911051	Horizontal feed plate		52	X59939051	Spring torsion	
9	060400816	Screw, Bind M4×8		53	X57908051	Taptite, Bind S M4×10	
10	X59913051	Feed bar ASSY		54	XA0624051	Reverse sewing lever A ASSY	
11	X59916051	Vertical feed finger		55	X57950051	Set screw, Socket(FT)M4×25	
12	012400432	Set screw, Socket(FT)M4×4		56	X56851051	Nut	
13	X55713051	Feed dog		57	048030346	Retaining ring E3	
14	060300516	Screw, Pan M3×5		58	XA1110051	Spring extension	
15	X59918051	Feed bar shaft		59	120454051	Retaining ring CSTW-3	
16	048025346	Retaining ring E2.5		60	X59941051	Reverse sewing button	
17	014400432	Set screw, Socket(CP)M4×4		61	X59942051	Reverse sewing lever B ASSY	
18	X54390051	Taper point stud R		62	X59945051	Spring extension	
19	X57913051	Taptite, Bind S M4×16		63	XA7234051	Lower shaft ASSY	
20	X54391150	Taper point stud L		64	X52664050	Lower shaft bushing	
21	062400416	Screw, Pan M4×4		65	X51383050	Washer	
22	137734051	Presser plate		66	048060346	Retaining ring E6	
23	X57908051	Taptite, Bind S M4×16		67	XA1138051	Spring	
24	X56613051	Spring compression		68	X52752051	Lower shaft gear ASSY	
25	X54393151	Spring extension		69	014400432	Set screw, Socket(CP)M4×4	
26	X57345051	Horizontal feed arm stud		70	048060346	Retaining ring E6	
27	XA0030051	Slide block		71	137768151	Set collar	
28	XA0029051	Feed regulator ASSY		72	014400432	Set screw, Socket(CP)M4×4	
29	X59200051	Screw		73	X57943051	Bushing presser	
30	X56960051	Nut, 3 M4		74	X57908051	Taptite, Bind S M4×10	
31	X59921051	Spring extension		75	XA1361051	Outer rotary hook ASSY	
32	014400632	Set screw, Socket(CP)M4×6		76	X57035351	Inner rotary hook ASSY	
33	X53330050	Washer		77	137804151	Outer rotary hook shaft	
34	X59922051	Feed bracket plate ASSY		78	X53183051	Washer	
35	X59923151	Feed bracket plate		79	X54134081	Inner rotary hook bracket	
36	X59924051	Feed dial gear A		80	060400616	Screw, Bind M4×6	
37	014400832	Set screw, Socket(CP)M4×8		81	137805051	Washer	
38	X59925051	Feed dial		82	137976051	Washer	
39	X56839051	Notched spring		83	014400632	Set screw, Socket(CP)M4×6	
40	060300516	Screw, Bind M3×5					
41	048040346	Retaining ring E4					
42	X59927051	BH adjusting knob					
43	X59928051	Spring washer					
44	X59929051	Washer					



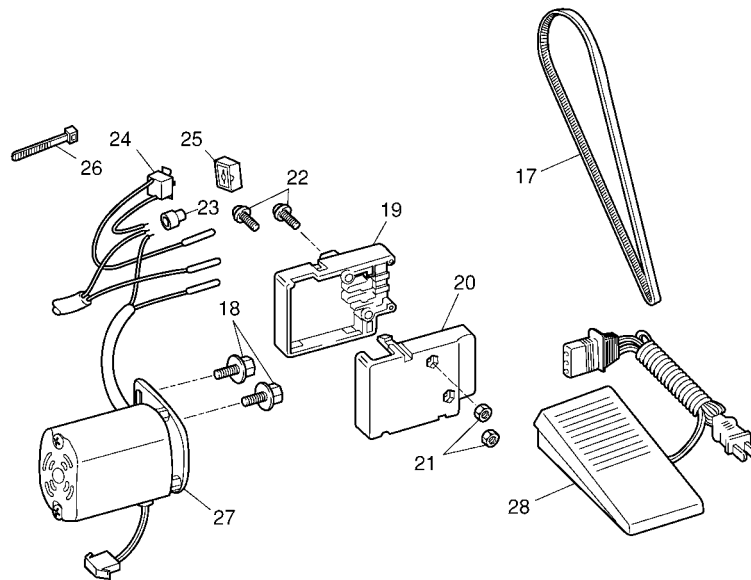
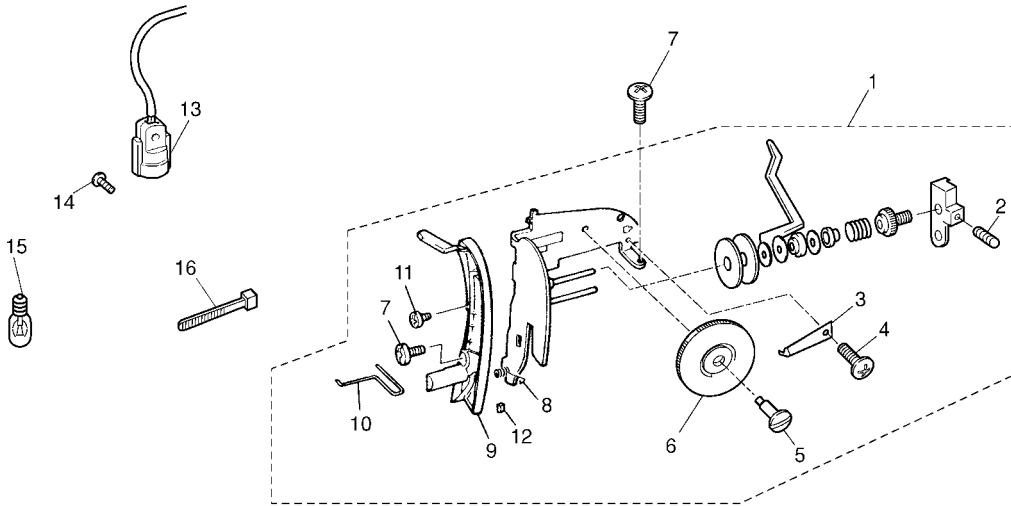
(4) BH MECHANISM AND ZIGZAG MECHANISM

No.	CODE	PARTS NAME	REMARKS
1	XA0525051	Zigzag dial	
2	120454051	Retaining ring CSTW-3	
3	XA1139051	Zigzag gear lever	
4	X59730051	Collar	
5	060400616	Screw, Bind M4×6	
6	XA1140151	Zigzag link	
7	X59741051	Spring extension	
8	XA1141051	Zigzag connecting rod ASSY	
9	X59735051	Zigzag connecting rod roller	
10	048020346	Retaining ring E2	
11	X50559050	Adjusting nut	
12	062301006	Screw, Pan M3×10	
13	X52005151	Spring extension	
14	X59959051	BH stopper ASSY	
15	X52176051	BH adjusting plate	
16	130833051	Adjusting nut	
17	062670812	Screw, Pan M3.57×8	
18	X52030251	Adjusting screw	
19	102571056	Nut	
20	X57908051	Taptite, Bind S M4×10	
21	X52027051	BH change arm	
22	060400816	Screw, Bind M4×8	
23	X59963051	BH change shaft	
24	XZ0023051	BH notched spring	
25	XA0345051	Selecting unit ASSY(B348)	
	XA0346051	Selecting unit ASSY(B347)	
26	X59154051	Selecting dial	
27	052401406	Screw, Pan (S/P washer) M4×14	
28	X56886051	Spring extension	
29	X56887051	Spring extension	
30	X59741051	Spring extension	
31	XA1173051	Spring extension	
32	X57908051	Taptite, Bind S M4×10	



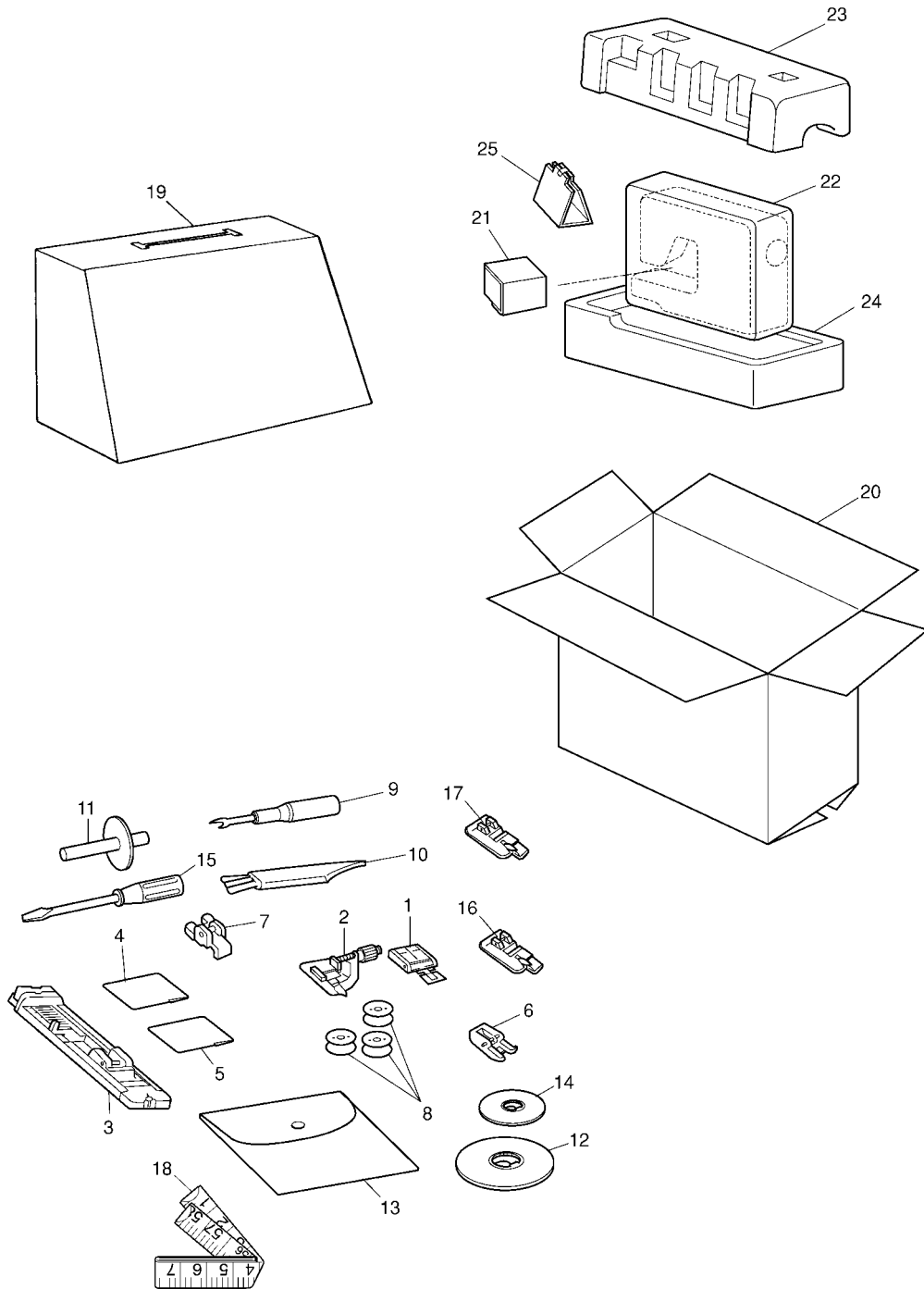
(5) LAMP, THREAD GUIDE AND MOTOR UNIT

No.	CODE	PARTS NAME	REMARKS	No.	CODE	PARTS NAME	REMARKS
1	X59981152	Thread guide ASSY		28	XA5469051	Foot controller complete(Taiwan)	
2	012400432	Set screw, Socket(FT)M4×4			XA6428051	Foot controller complete(China)	
3	X56839051	Notched spring					
4	062300416	Screw, Pan M3×4					
5	X59984051	Tension dial shaft					
6	X59985152	Tension dial					
7	060400816	Screw, Bind M4×8					
8	X52646051	Thread take-up spring					
9	X59986051	Thread guard cover					
10	X59987050	Thread guard wire					
11	060300516	Screw, Bind M3×5					
12	X52485050	Spring stopper					
13	XA1256151	Lamp socket ASSY(100V-120V)					
	XA1470051	Lamp socket ASSY(220V-240V)					
14	X57984051	Taptite, Bind S M3×20 (100V-120V)					
	XA1623051	Taptite, Bind S M3×10 (220V-240V)					
15	X53061050	Sew-light bulb(120V)					
	205336050	Sew-light bulb(220V-240V)					
16	X53169050	Band					
17	X57064051	Belt					
18	XA3004051	Screw, Pan (S/P washer) M5×12					
19	X59176051	3P socket body					
20	X59177051	3P socket cover					
21	021400205	Nut					
22	052403006	Screw, Pan (S/P washer) M4×30					
23	214808050	Connector					
24	X59178051	PW switch ASSY(100V-120V)					
	X59337051	PW switch ASSY(220V-240V)					
25	X57554051	PW switch key-top					
26	X53169050	Band					
27	XA2967051	Motor complete(120V)					
	XA1618051	Motor complete(240V)					
	XA1656051	Motor complete(220V)					
	XA1495051	Motor complete(230V)					
	XA2429051	Motor complete(220V,Korea)					
	XA5430051	Motor complete(110V)					
28	J00360051	Foot controller complete (U.S.A., Canada)					
	XA6404051	Foot controller complete(Australia)					
	XA6400051	Foot controller complete(Europe)					
	XA6402051	Foot controller complete(England)					
	XA6416051	Foot controller complete(Korea)					



(6) ACCESSORY

No.	CODE	NAME	REMARKS
1	X59370051	Zipper foot	
2	X59372051	Blind stitch foot	
3	XA4911151	Button hole foot	
4	X57117051	Needle pack (regular single needle No.14:3pcs.)	
	X52281051	Needle pack (regular single needle No.11,14,16:6pcs)	
5	X57521001	Twin needle(1pack)	
6	X53189001	Transparent foot	
7	X59375051	Button sewing foot	
8	136492151	Bobbin	
9	X54243001	Ripper	
10	X59476051	Brush	
11	130920051	Extra spool pin	
12	130012053	Spool holder(large)	
13	XA1363051	Bag	
14	130013053	Spool holder(small)	
15	X55467051	Screwdriver	
16	X59371051	Narrow-hemmer foot	
17	XA6060001	Picot foot	
18	XA5772051	Scale	
19	X53984054	Dust cover	
20	X60954057	Carton (B348 PS1800 U.S.A., Canada)	
	X60791053	Carton(B348 STAR15)	
	X60791054	Carton(B348 MY STSR15)	
	X60954055	Carton(B348 STAR20)	
	X60954056	Carton(B348 STAR20 Supply)	
	X61070051	Carton (B348 R3000 U.S.A., Canada)	
	X60954064	Carton(B348 STAR15 Supply)	
	X60954066	Carton(B348 DIANA)	
	X60794055	Carton(B347 PS1250)	
	X60954054	Carton(B347 STAR10)	
	X60954061	Carton(B347 STAR2000)	
	X60954062	Carton(B347 PS1250)	
	X60954065	Carton(B347 STAR10 Supply)	
21	X60726050	Foot controller box	
22	X60439150	Polyethylene bag	
23	X60708050	Top foam packing	
24	X60709050	Bottom foam packing	
25	X60436050	Pad	



B347
B348