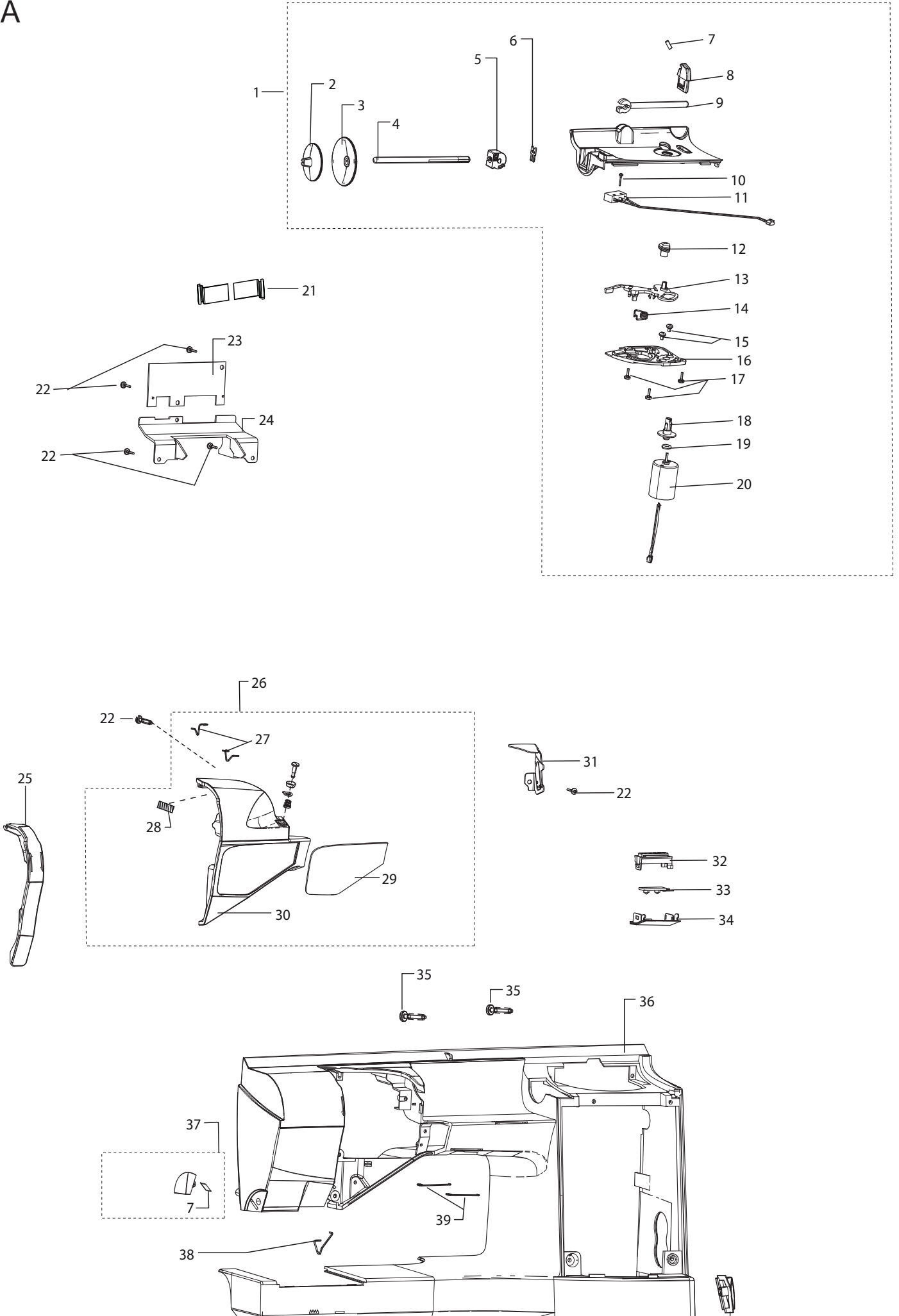


Parts list

Designer Ruby

Designer Ruby

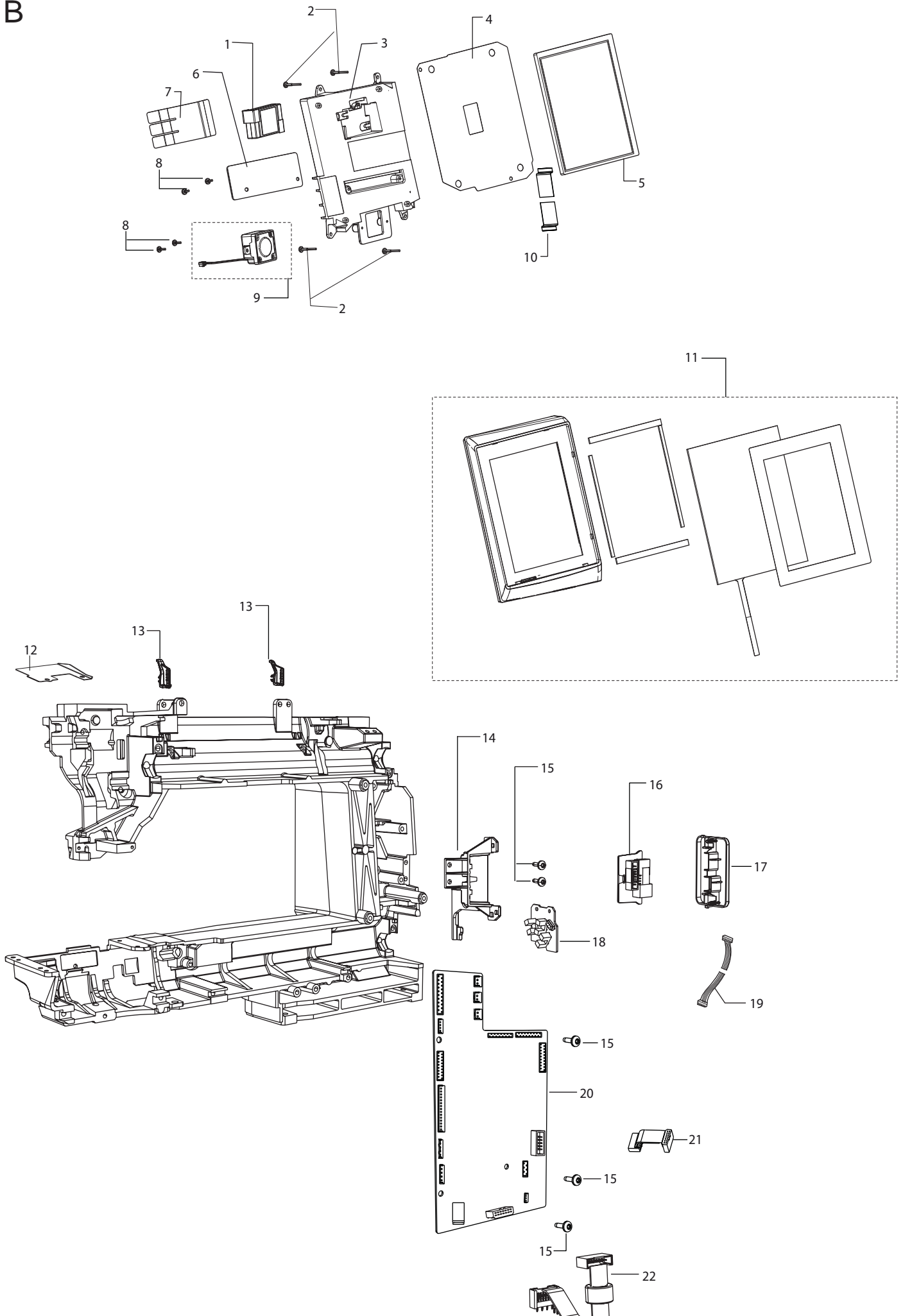
A



1	413167501	COVER,BOBBIN WIND W. MOTOR
2	413051602	SPOOL HOLDER 35 MM
3	413051603	SPOOL HOLDER 45MM
4	412521001	REEL PIN
5	412960301	GUIDE, REEL PIN
6	413060201	THREAD GUIDE
7	412423701	THREAD CUTTER
8	413022501	COVER THREAD KNIFE CPL WIN. AV.
9	412960401	THREAD REEL PIN
10	411966821	SCREW PT 18*10 FZB TORX
11	413049103	MICROSWITCH CPL.
12	412345001	ECCENTRIC WINDING STOP
13	413127401	LEVER, WINDING STOP
14	412757701	TORSION SPRING, WINDING STOP
15	412211401	SCREW M3*4 TORX
16	413167802	BRACKET BOBBIN WINDER
17	411966801	SCREW PT 30*7,5 FZB TORX
18	413062101	WINDING SHAFT
19	412305502	O-RING
20	413093002	BOBBIN WINDING MOTOR CPL.
21	412546920	CABLE ASSEMBLY (20P)
22	411966803	SCREW PT 30*12 FZB TORX
23	413212402	CONNECTOR BOARD, FRONT
24	413181001	CABLE SHIELD
25	413047602	THREAD GUIDE
26	412970007	THREAD TENSION COVER
27	412981602	THREAD GUIDE
28	413233501	BRUSH SEAL
29	413252201	KEYBOARD, SEWING HEAD
30	413018901	THREAD TENSION COVER HV MOTOR
31	412981302	THREAD GUIDE CPL.
32	413208501	LED HOLDER
33	413271403	LED UNIT
34	413208601	LED GLASS
35	411966810	SCREW PT 40*20 FZB TORX
36	413214301	FRONT COVER
37	413022001	COVER THREAD KNIFE CPL. HV AV.
38	413124601	THREAD SUPPORT
39	412558001	THREAD SUPPORT
40	413212001	STYLUS HOLDER
41	413214601	COVER FEED DROP
42	411966812	SCREW 40*40 FZB TORX

Designer Ruby

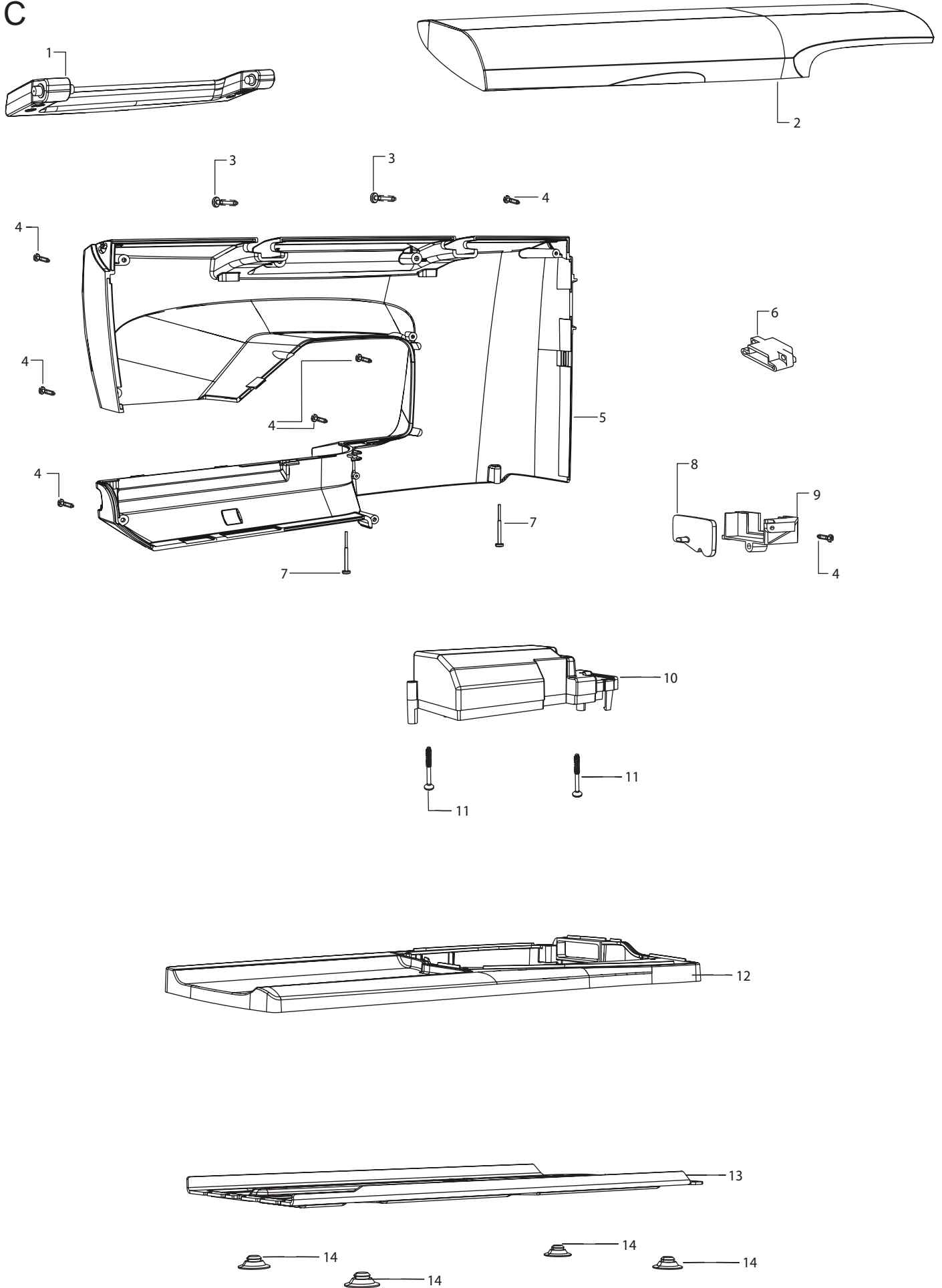
B



1	412914901	FERRITE
2	411966805	SCREW PT 30*20 FZB TORX
3	413208701	DISPLAY BRACKET
4	413212101	GROUNDING PLATE
5	413141601	DISPLAY
6	413141801	CONNECTOR BOARD DISPLAY
7	413150401	CONTACT SPRING, GROUND
8	411966801	SCREW PT 30*7,5 FZB TORX
9	413050001	LOUDSPEAKER BOX CPL.
10	413146401	CABLE, DISPLAY
11	413252401	PANEL CPL.
12	413286401	THREAD GUIDE
13	413024201	CABLE CLAMP
14	412985501	HOLDER
15	412056006	SCREW TAPTTITE M4*12 TORX
16	413024401	USB BOARD DUAL CPL.
17	413024801	COVER, USB DUAL
18	412986401	SENSOR BOARD, ASS.
19	412546913	CABLE ASSEMBLY (6P)
20	413051848	CONTROL BOARD
21	413108801	CABLE, USB
22	412349703	CABLE TRANSF-CONTROL BOARD

Designer Ruby

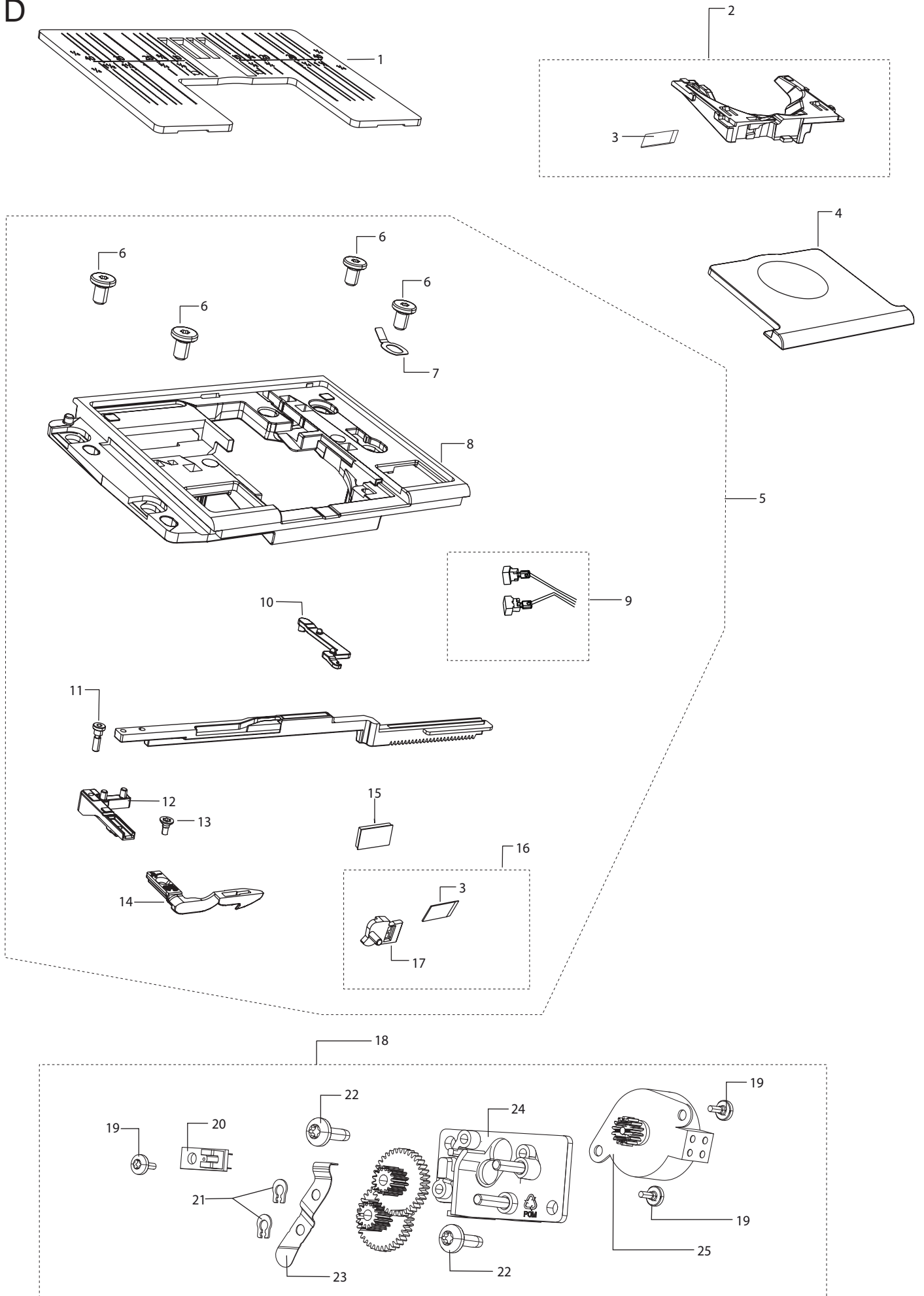
C



1	412954701	HANDLE
2	412960509	LID
3	411966810	SCREW PT 40*20 FZB TORX
4	411966803	SCREW PT 30*12 FZB TORX
5	412959101	BACK, COVER
6	413092602	CABLE ASS. XY SEW.MACHINE
7	411966812	SCREW PT 40*40 FZB TORX
8	413018501	LID XY
9	413018602	BASKET XY
10	413019203	POWER SUPPLY CPL.
11	411967107	SCREW PT FS 40*35 FZB TORX
12	412959202	BOTTOM COVER
13	412954501	BOTTOM PLATE
14	412305001	BASEPLATE RUBBER FOOT

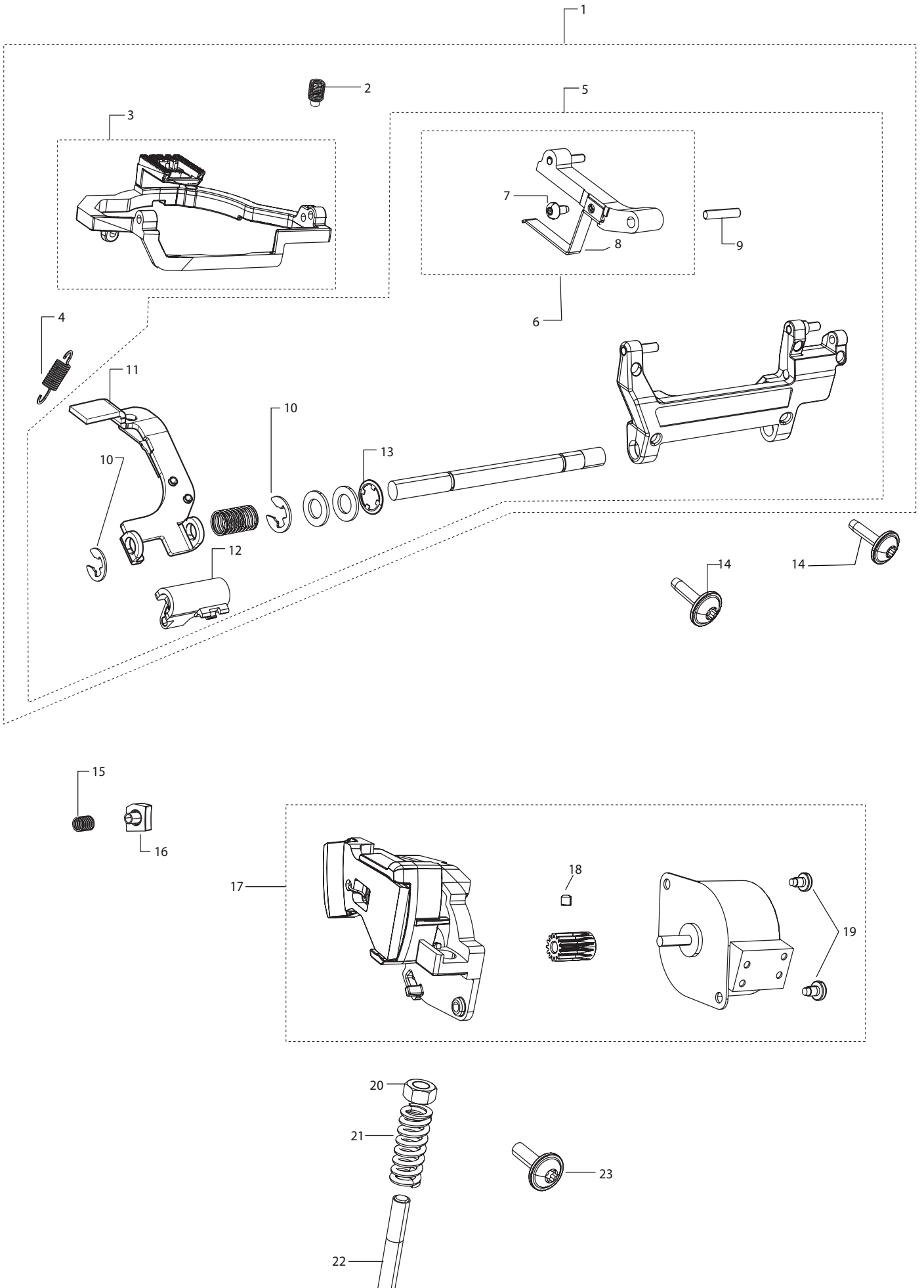
Designer Ruby

D



1	412964201	STITCH PLATE HV MM
2	413025601	RETAINER
3	412423701	THREAD CUTTER
4	412963901	BOBBIN COVER
5	412964002	HOOK COVER CPL. CUT. AND SENS.
6	412287903	SCREW
7	412997701	ESD SPRING, STITCH PLATE
8	412964105	HOOK COVER
9	413101502	CABLE ASS.BOBBIN SENSOR
10	413007301	FETCHER UPPER THREAD
11	413010001	GUIDE PIN
12	413072201	CONNECTING PART, FETCHER
13	412280501	SCREW, COUNTERSUNK
14	413007101	FETCHER
15	413116701	THREAD BRAKE
16	413047301	KNIFE HOLDER CPL.
17	413007701	KNIFE HOLDER
18	413007401	STEPPING MOTOR CPL.
19	411966828	SCREW PT 30*6 FZB TORX
20	413072501	CUT SENSOR ASS.
21	735612440	COMPRESSION RINGS Ø3
22	412056006	SCREW TAPTITE M4*12 TORX
23	413007601	GUIDE GEAR RACK
24	413007502	MOTOR PLATE CPL.
25	413004601	STEPPING MOTOR

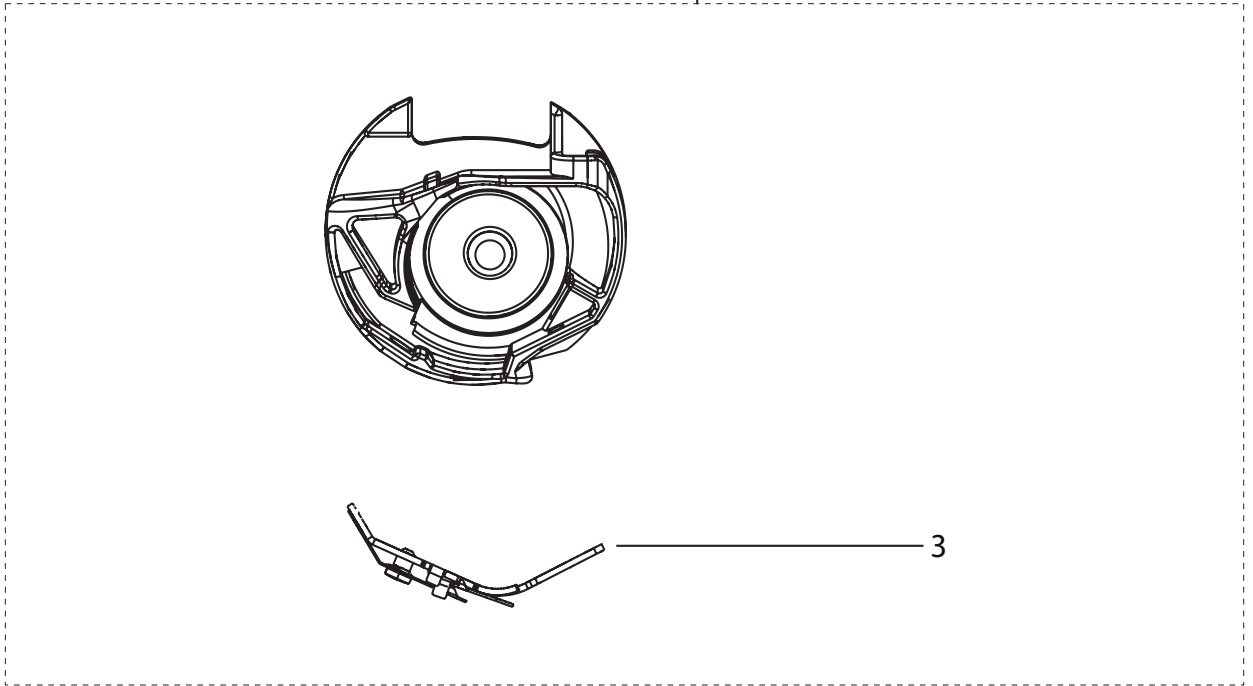
E



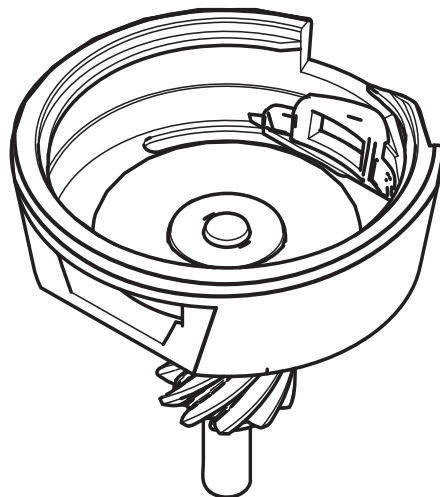
1	413217505	FEED UNIT PART CPL.
2	413201201	ADJUSTMENT SCREW, FEEDER
3	413201302	FEED DOG CPL.
4	413270001	TENSION SPRING, FRAME FEED DOG
5	413269006	CARRIGE FEED CPL.
6	412961601	LINK, CARRIAGE FEED CPL.
7	412056004	SCREW TAPTITE M3*6 TORX
8	412961501	SPRING, FEED
9	412316023	INA PIN NRB 4*19,8 0-2UM
10	735310920	SNAP RING E-5
11	413200901	LEVER FEED LIFT CPL.
12	413034201	INSERT, LEVER FEED LIFT
13	412368001	LOCK WASHER
14	413169401	COLLAR SCREW TT TORX 4*14
15	412961701	SPRING, SLIDING BLOCK
16	412961801	BLOCK, GUIDE
17	412963501	STEPPING MOTOR UNIT, FEED
18	411968703	SET SCREW FLAT, M3*3 TORX
19	412056011	SCREW TAPTITE M3*5 TORX
20	413025401	NUT M5*0,5
21	412963601	SPRING
22	412963701	SCREW BALANCE ADJUSTMENT
23	413034402	COLLAR SCREW M4*10, LEFT HAND

F

Designer Ruby

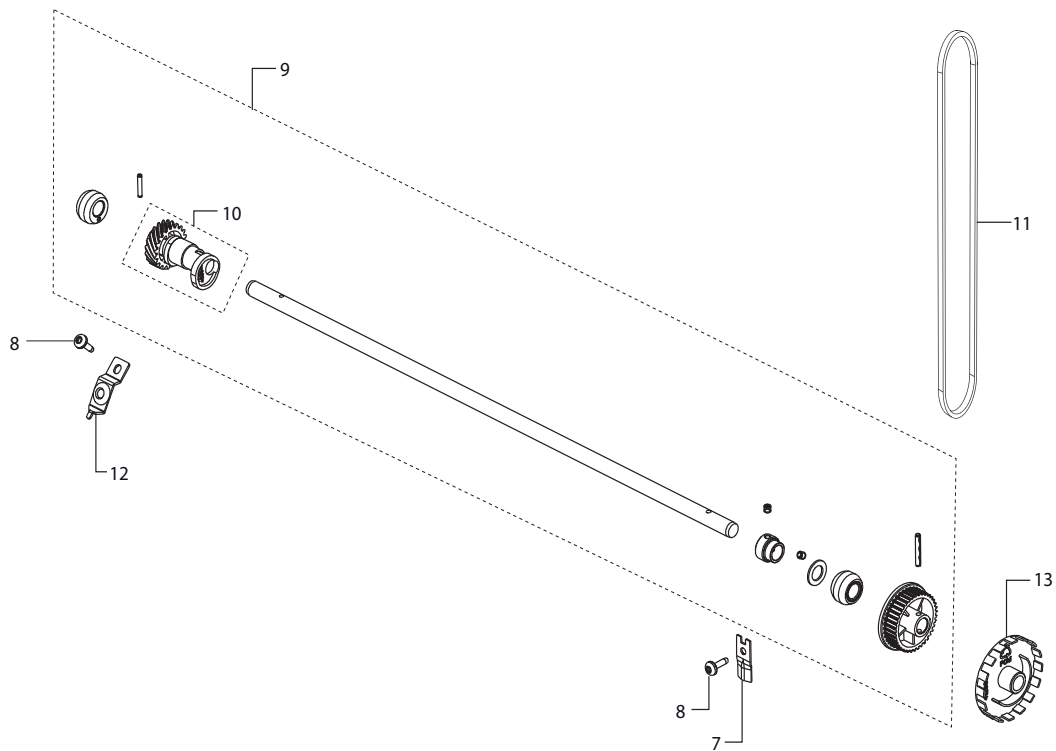
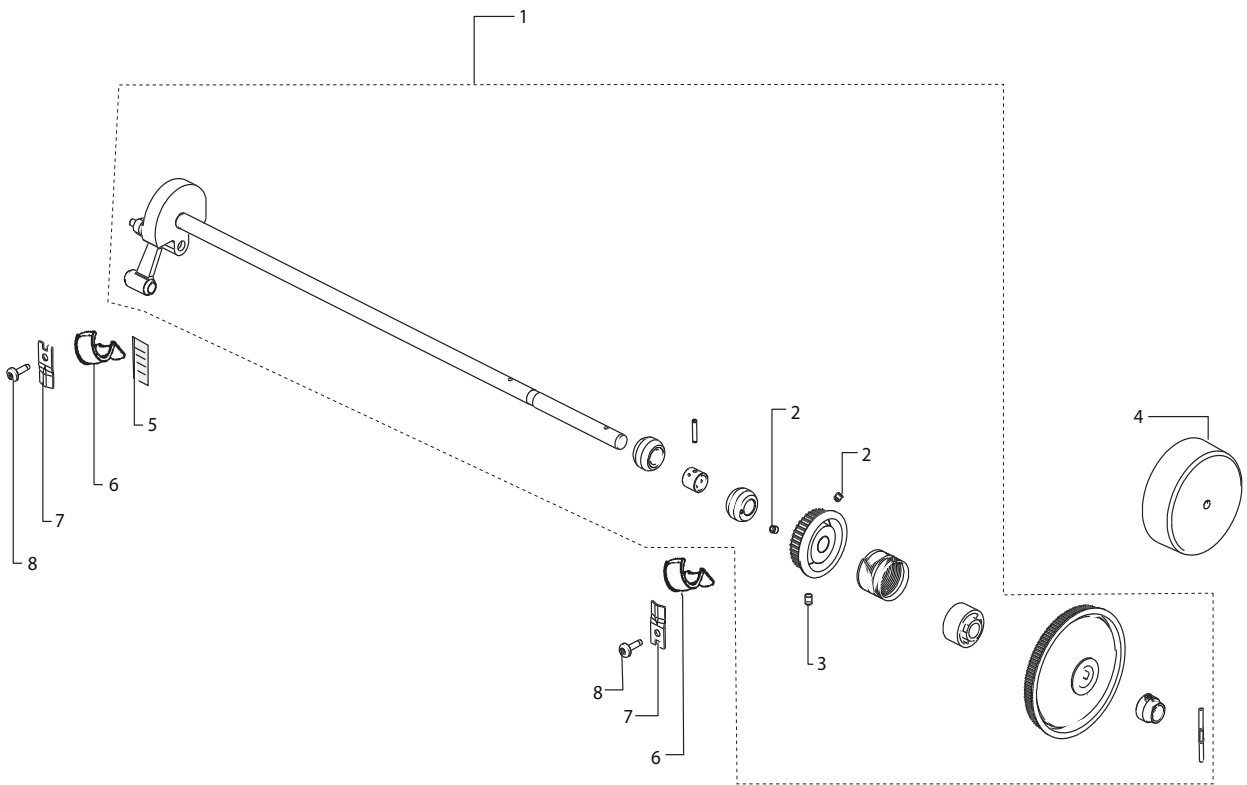


4

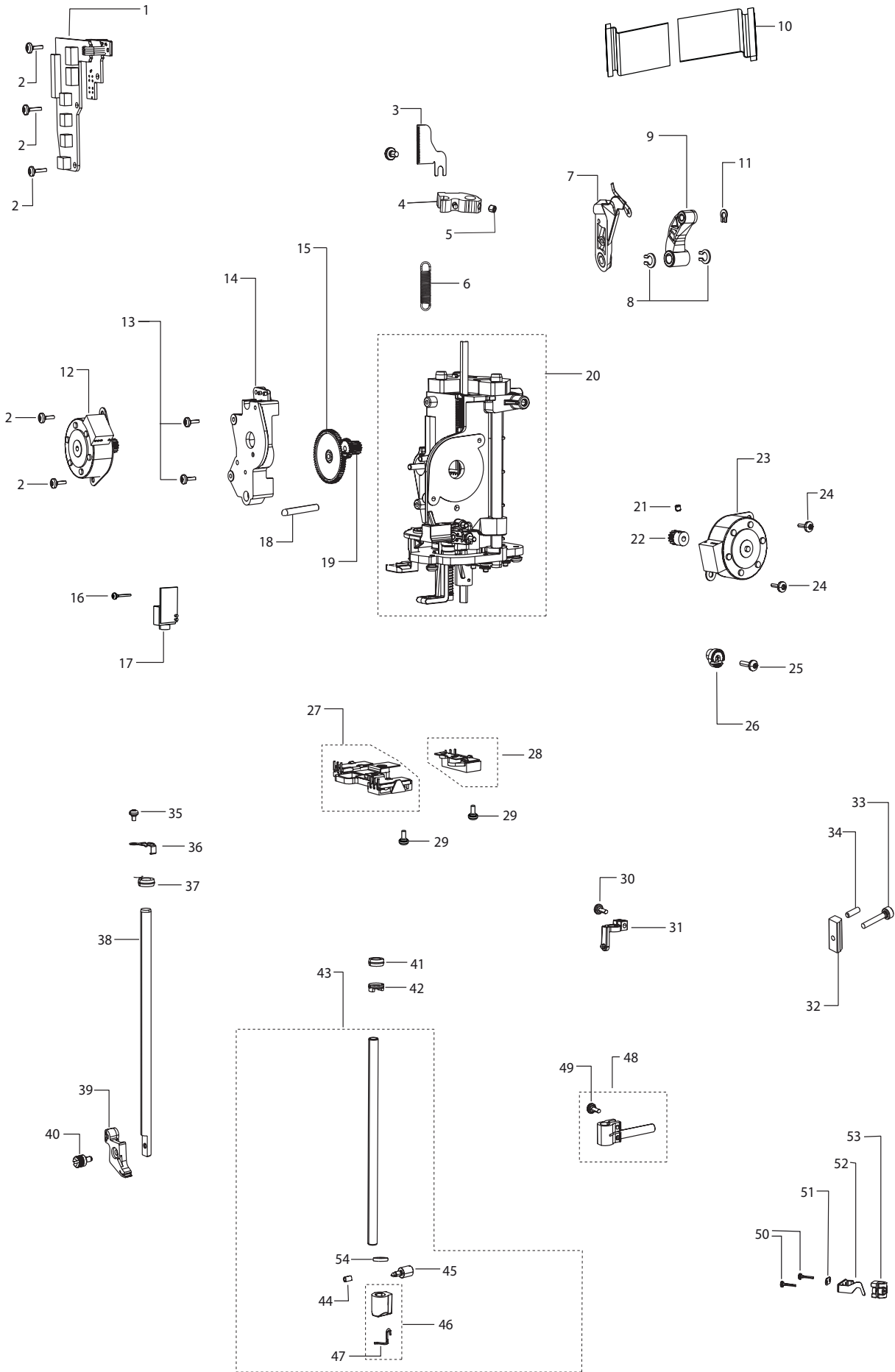


1	413182545	BOBBIN HV, GREEN
2	413058901	BOBBIN CASE CPL.
3	412471601	THREAD TENSION CPL.
4	412876902	HOOK CPL WITH SHAFT
5	412930101	SPRING, HOOK
6	412964502	DUST COVER
7	728528705	SCREW M4*8

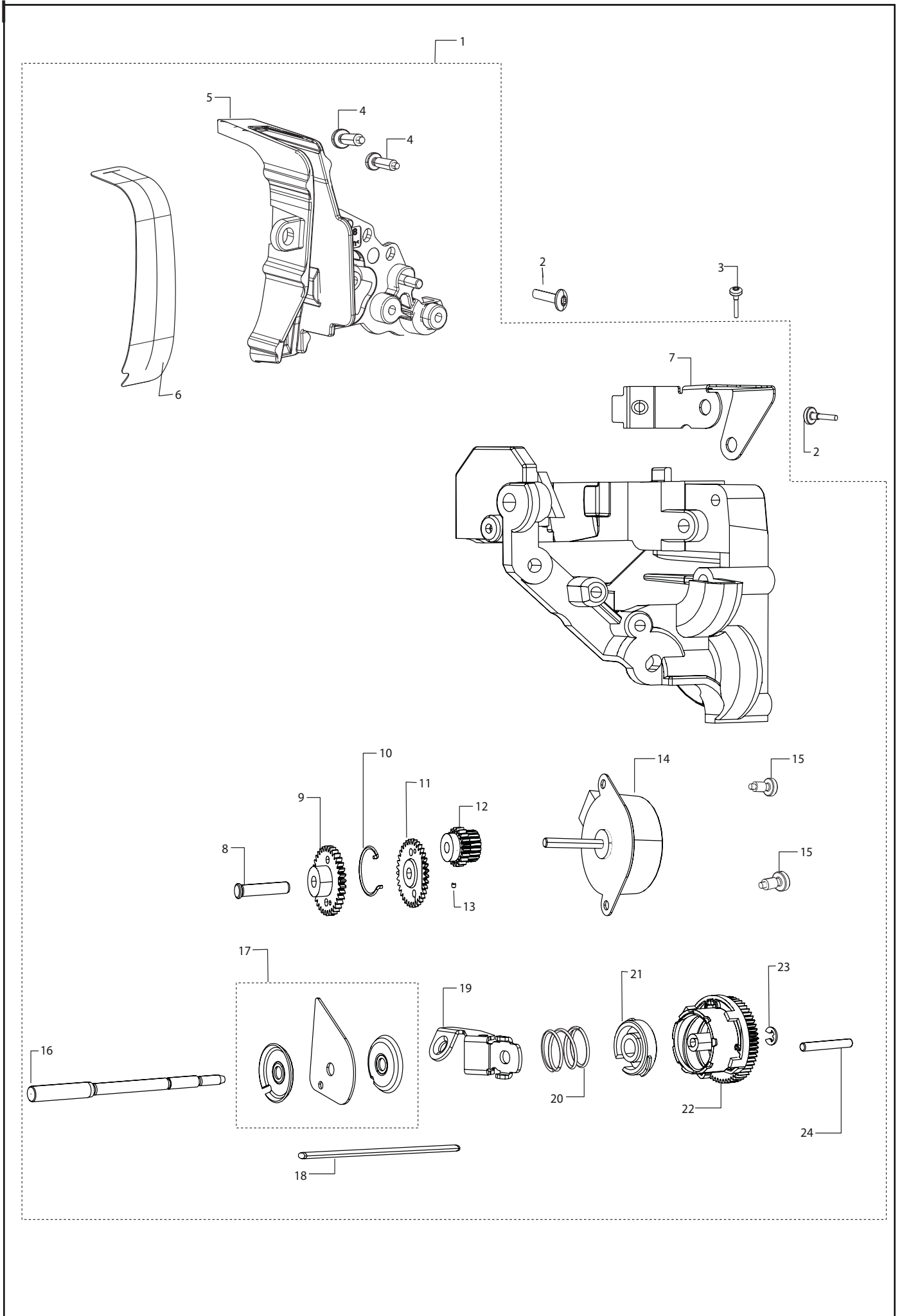
G



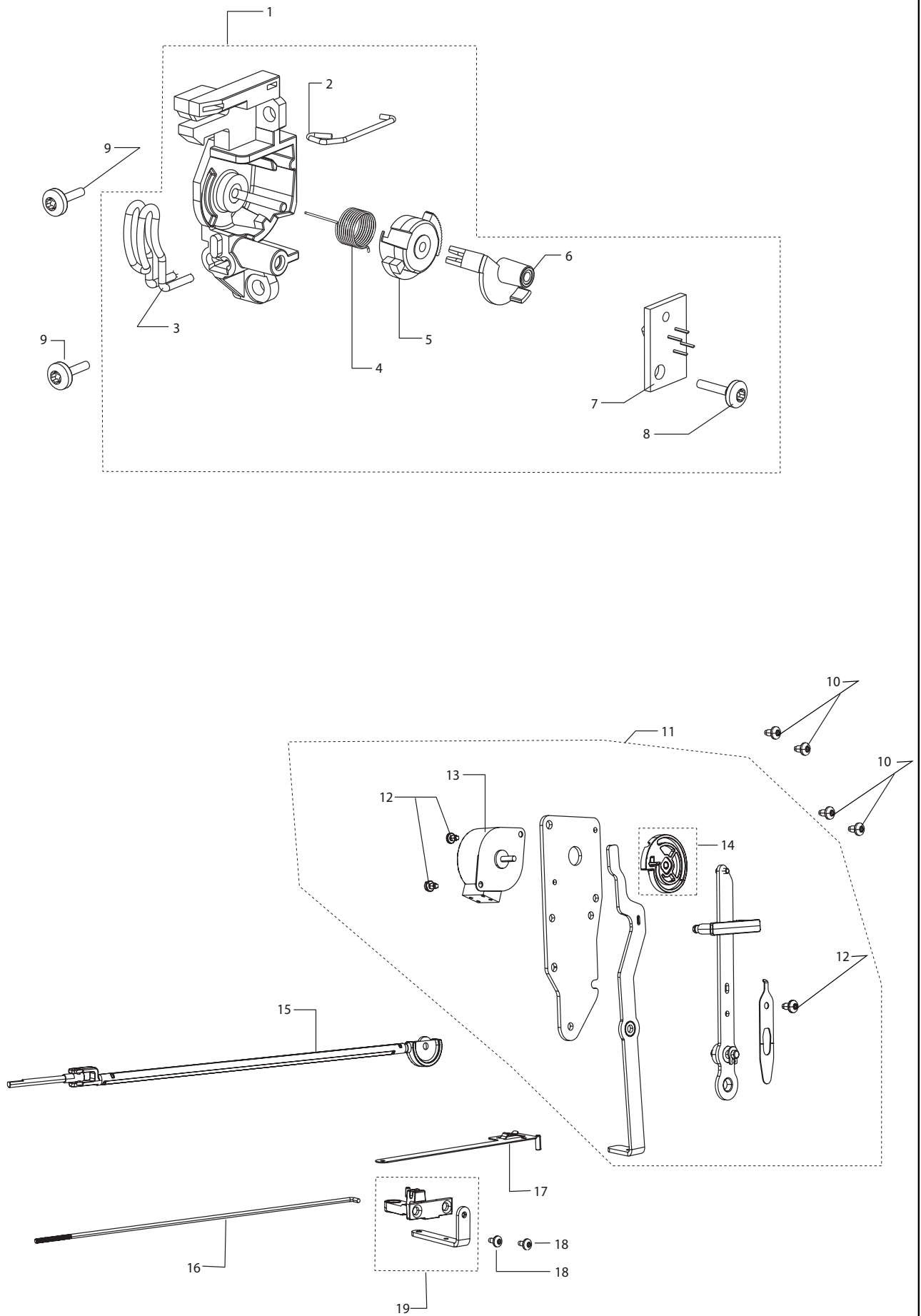
1	412966708	UPPER SHAFT CPL.
2	411968706	SET SCREW FLAT, M4*4 TORX
3	411968807	SET SCREW POINTED M4*6 TORX
4	412954601	HAND WHEEL
5	412687601	GROUND TAPE
6	412558401	ABSORBER
7	412328401	CLAMP
8	412056006	SCREW TAPITTE M4*12 TORX
9	412967902	LOWER SHAFT CPL.
	412967903	LOWER SHAFT CPL. (BOX) From product nr 957 361 xxx
10	412964402	ECCENTRIC FEED CPL.
	412964403	ECCENTRIC FEED CPL. (BOX) From product nr 957 361 xxx
11	413020301	COG BELT UPPER-LOWER SHAFT
12	412318101	CLAMP LOWER SHAFT
13	412968101	SHIELD, REVOLUTION INDICATOR



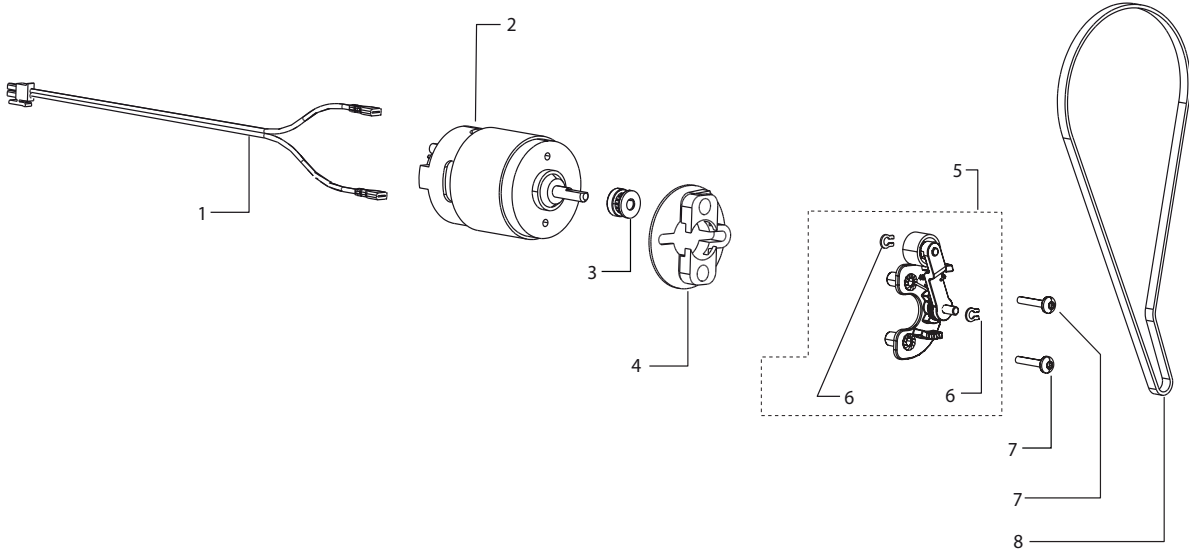
1	413067003	CONN.BOARD SERVO SENS.
2	411966801	SCREW PT 30*7,5 FZB TORX
3	412973901	SHIELD, PRESSERFOOT SERVO
4	413261601	GUIDE, SERVO CPL.
5	411968706	SET SCREW FLAT, M4*4 TORX
6	413137602	SPRING, PRESSERFOOT PRESSURE
7	413300302	TAKE UP LEVER CPL. WITH LINK
8	735615340	COMPRESSION RINGS Ø6
9	413047401	LINK
10	412546912	CABLE ASSEMBLY (18P)
11	735613640	COMPRESSION RINGS Ø4
12	413005901	STEPPING MOTOR CPL.
13	411966820	SCREW 30*10 FZB KOMBITORX
14	412974201	GEARHOUSE, SERVO
15	412974401	GEARWHEEL, SERVO SEC
16	411966821	SCREW PT 18*10 FZB TORX
17	413031001	BUTTONSENS. CONN. ASS.
18	412316010	INA PIN NRB 3*17,8 0-3UM
19	412974301	GEARWHEEL SERVO PRIM
20	413244201	SEWING HEAD CPL.
21	411968703	SET SCREW FLAT,M3*3 TORX
22	413057201	GEAR Z-Z
23	412993901	STEPPING MOTOR
24	411966828	SCREW PT 30*6 FZB TORX
25	412211404	SCREW M3*10 TORX
26	412966501	CALIBRATION KNOB
27	413137801	LED HOLDER, LEFT
28	413137701	LED HOLDER, RIGHT
29	412211402	SCREW M3*6 TORX
30	413019001	SCREW K 30*8 PT WN 1452 S
31	412993501	STROKE LIMITER
32	412966601	WEDGE
33	725522805	SCREW M3*16 INSEX
34	728522205	SOCKET SET SCREW FLAT POINT
35	412211401	SCREW M3*4 TORX
36	413060301	CLIPS, GABLE LOWER
37	412500601	BEARING
38	412285403	PRESSER BAR AVANTI
39	412616101	HOLDER, PRESSERFOOT
40	412409701	SCREW PRESSERSHAFT
41	412501501	BEARING 10/6,35-4
42	412504701	LOCKING DEVICE
43	412581703	NEEDLE BAR CPL.
44	728521905	SOCKET SET SCREWS, FLAT POINT
45	412732301	SCREW NEEDLE CLAMP
46	412773801	NEEDLE CLAMP CPL.
47	412581901	THREAD GUIDE
48	412993603	CROSS HEAD CPL.
49	412280504	SCREW FS M3*10 FZB TORX
50	411966825	SCREW PT 16*8 FZB TORX
51	412876701	WASHER, NEEDLE THREADER
52	413238402	NEEDLE THREADER
53	413053601	HOLDER, NEEDLE THREADER
54	411750303	STOP, NEEDLE CLAMP



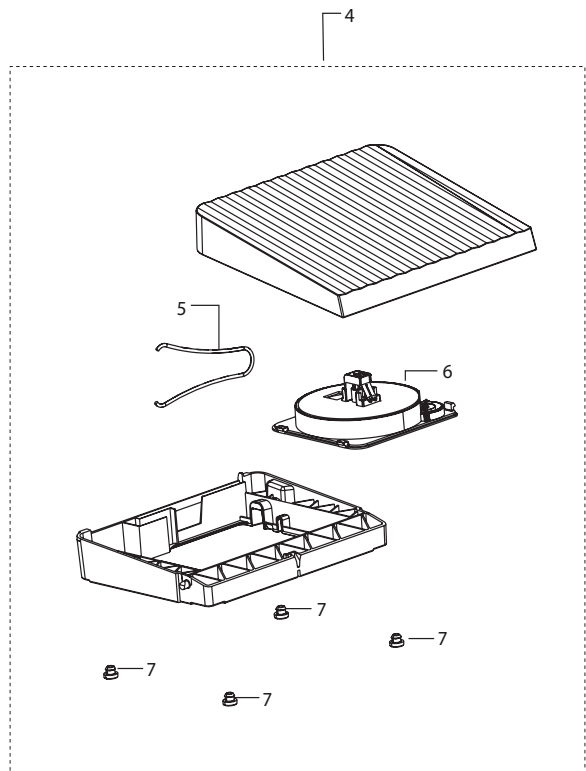
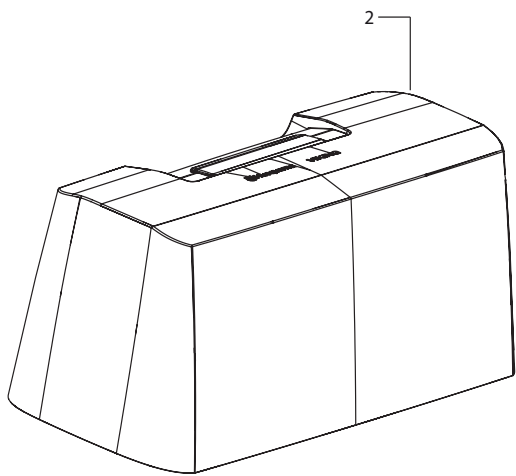
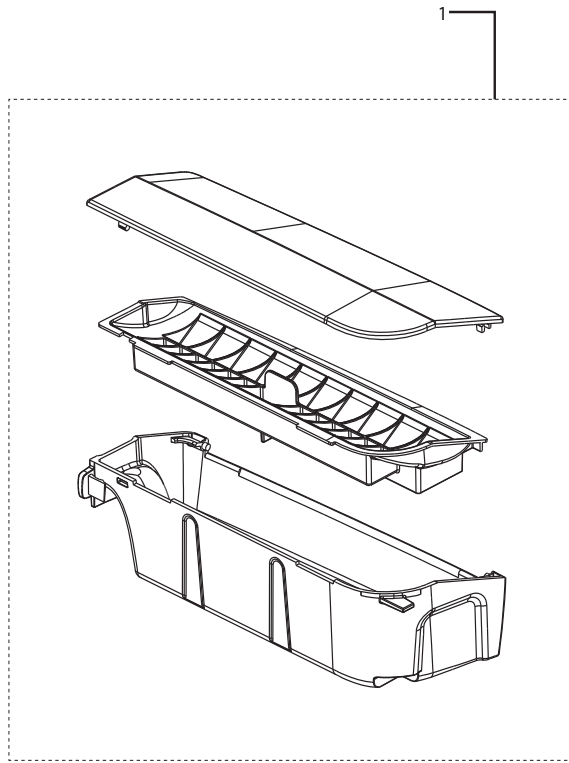
1	412940203	THREAD TENSION ASS
2	411966807	SCREW PT 40*10 FZB TORX
3	411966803	SCREW PT 30*12 FZB TORX
4	411966820	SCREW 30*10 FZB KOMBITORX
5	413232201	SHIELD, TAKE UP LEVER ASS.
6	413218502	SEALING, TAKE UP LEVER
7	412940602	CONTACT SPRING THREAD TENSION
8	413056002	SHAFT, THREAD TENSION
9	413059101	INTERMEDIATE GEAR, FIXED
10	412442801	SPRING GEAR WHEEL
11	413059202	INTERMEDIATE GEAR, MOVABLE
12	412742401	GEAR-FIXED
13	411968703	SET SCREW FLAT, M3*3 TORX
14	412993903	STEPPING MOTOR
15	411966828	SCREW PT 30*6 FZB TORX
16	412940101	SHAFT, THREAD TENSION
17	413106402	THREAD DISK KIT
18	413113201	PIN
19	412940501	RELEASE LEVER, THREAD TENSION
20	413159501	COMPRESSION SPRING, THREAD TENS.
21	412741701	NUT, THREAD TENSION
22	412940404	SPRING HOUSE THREAD TENSION
23	735310620	LOCK WASHER 2.3
24	412316060	INA PIN NRB 3*23,8 0-2UM



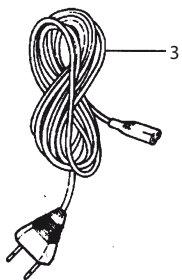
1	413004003	THREAD SENSOR CPL.
2	413004501	THREAD CONTROL, THREAD SENSOR
3	412519301	THREAD GUIDE
4	412519202	CHECK SPRING
5	413004301	ADJUSTING SLEEVE
6	413004402	SENSOR THREAD TENSION
7	413017603	THREAD SENSOR ASSEMBLY
8	411966820	SCREW 30*10 FZB KOMBITORX
9	411966803	SCREW PT 30*12 FZB TORX
10	412056006	SCREW TAPTITE M4*12 TORX
11	413060001	SIDE FEED, FEED DOG DROP CPL.
12	412056004	SCREW TAPTITE M3*6 TORX
13	412997902	STEPPING MOTOR,SIDE FEED
14	413060101	CAM WHEEL CPL.
15	413033701	PULL ROD,SIDE FEED CPL.
16	413034101	PULL WIRE, FEED DOG DROP
17	413033401	TRANSM LINKAGE, FEED DOG DROP
18	411967212	SCREW TAPTITE FS M4*12 TORX
19	413034501	LINKAGE UNIT, FEED DROP



1	413056901	CABLE MAIN MOTOR
2	9233011191000	ENGINE DOMEL
3	412353302	DRIVING WHEEL MOTOR 350,400,500
4	412999901	RUBBER DAMPER, MOTOR
5	412971901	BELT STRETCHER CPL.
6	735613640	COMPRESSION RINGS Ø4
7	412211415	SCREW M4*20 TORX
8	413020201	COG BELT MOTOR

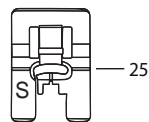
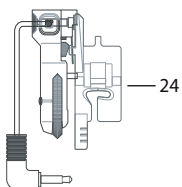
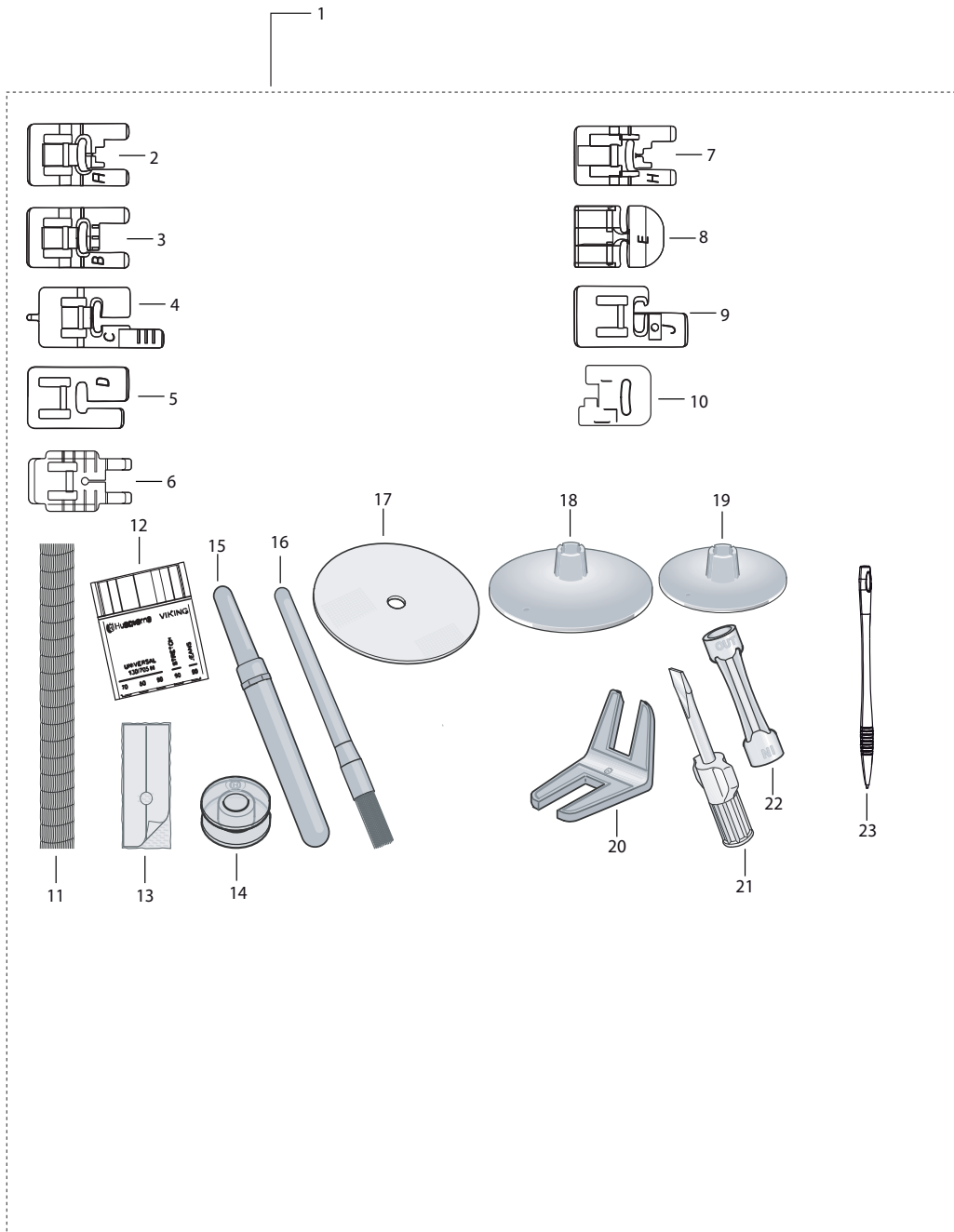


POWERCORD

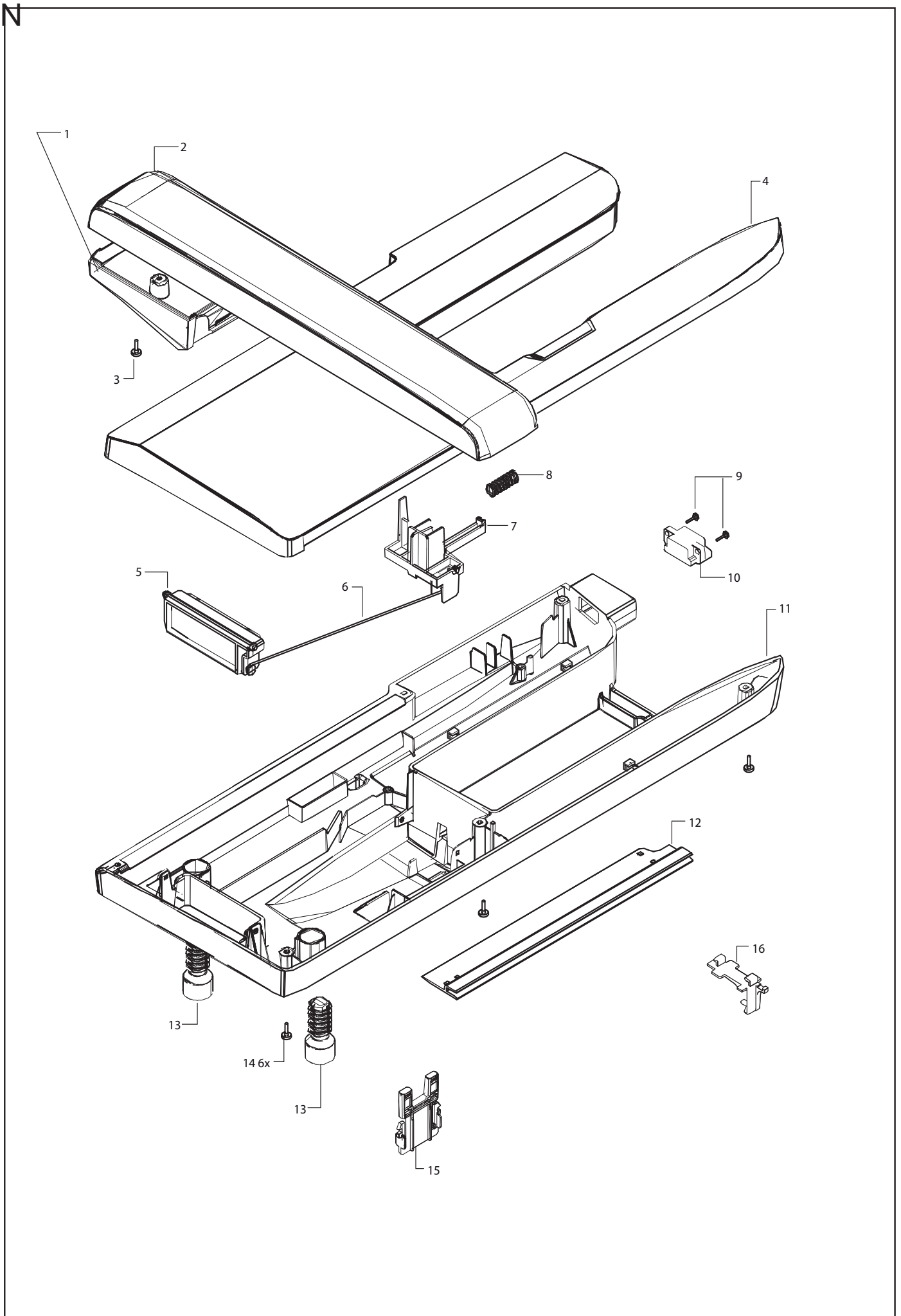


1	412983901	ACCESSORIES BOX CPL.
2	413018703	HARD COVER CPL.
3	412157801	NET CABLE 220V
	412157902	NET CABLE 120V JP
	412157903	NET CABLE 120V
	412158002	NET CABLE GB
	412158101	NET CABLE AU
4	412991404	FOOT CONTROL CPL. WHITE W. WIND
5	412159801	SPRING
6	412493002	CONTROL UNIT WITH WINDER
7	412154501	BEARING

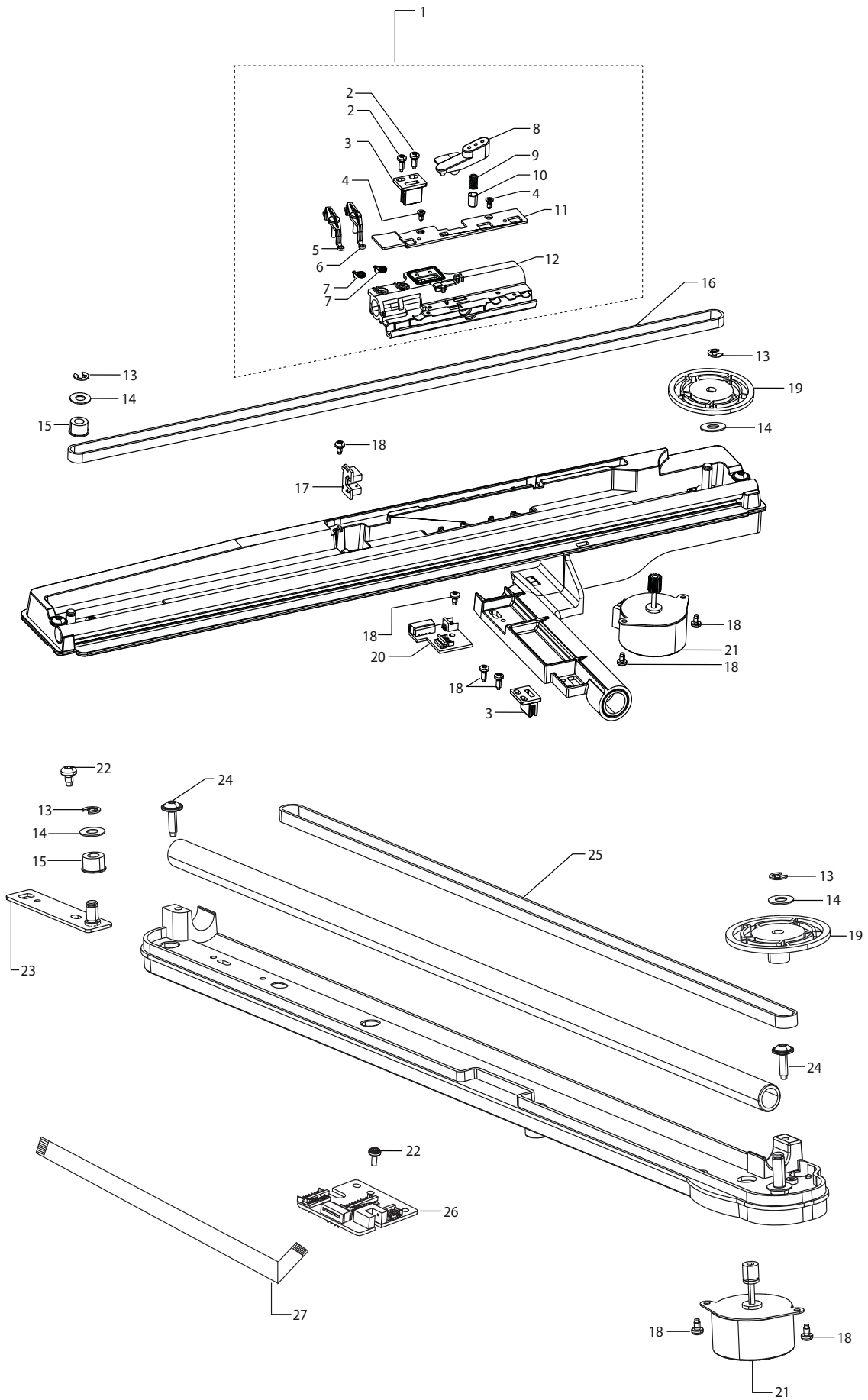
M



1	413021605	STD. ACC. CPL.
2	412764001	PRESSER FOOT A, 7MM
3	413113646	PRESSER FOOT B CPL.
4	412785345	BUTTONHOLE PRESSER FOOT C
5	412380445	BLISTER PACK, SMALL
6	412785545	1/4 PIECING FOOT PIN-PAC
7	412796145	SMOOTH GLIDE FOOT H
8	412801545	ZIPPER PRESSER FOOT
9	412380645	EDGING PRESSER FOOT J, PIN PAC
10	412849801	EMBROIDERY FOOT R CPL.
11	412397701	THREAD NET 15*100
12	620071196	UNIV. NEEDLE 70/80/90 5-P
13	412827401	GLIDE SOLE, BUTTONHOLE FOOT
14	413182545	BOBBIN HV, GREEN
15	401539901	SEAM RIPPER
16	401555501	BRUSH
17	412610701	FELT PAD
18	413051603	SPOOL HOLDER 45 MM
19	413051601	SPOOL HOLDER 22 MM
20	413105601	CLEARANCE PLATE
21	412381501	SCREW DRIVER
22	412601945	GUIDE
23	412693404	STYLUS,TRANSPARENT RUBY-RED
24	412815102	BUTTONHOLE SENSOR FOOT CPL.
25	412795245	PRES.FOOT SIDE MOTION PIN-PAC

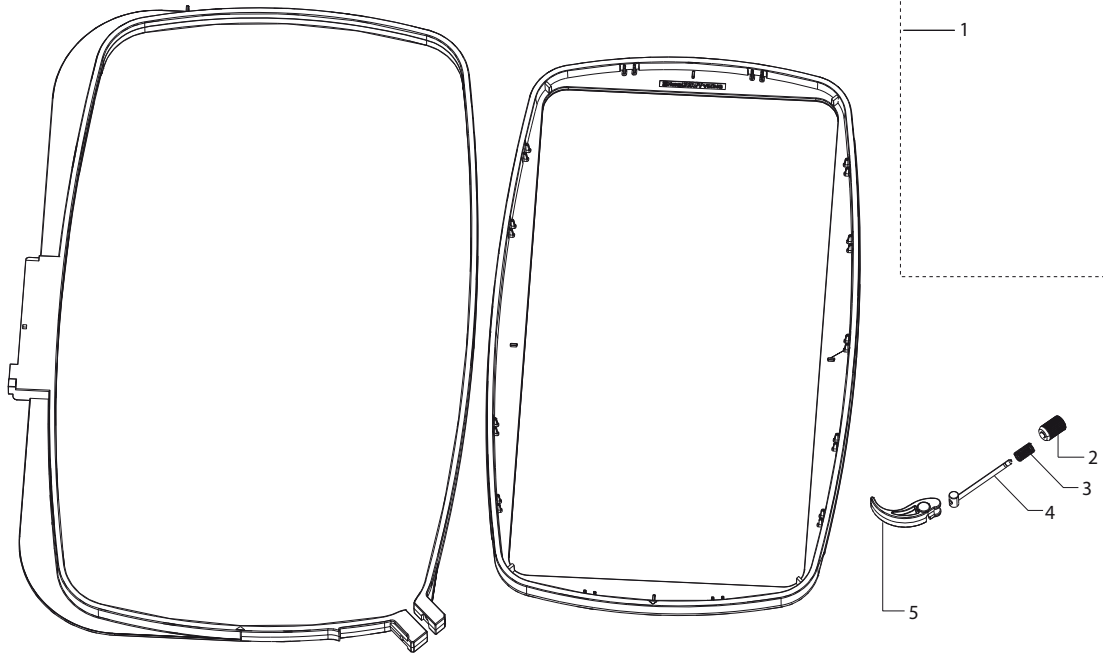


1	413120401	MOTOR COVER Y-ARM,Y=360
2	413120301	COVER,Y-ARM,Y=360
3	412056005	SCREW TAPTITE M4*10 TORX
4	413161001	TOP COVER XY-UNIT X=200
5	413027701	HANDLE LATCH
6	413027803	CONNECTING ROD, LATCH HV X=200
7	413027601	LATCH
8	412721401	SPRING, LATCH P08-E
9	411966820	SCREW 30*10 FZB KOMBITORX
10	413028801	CABLING,XY-UNIT CPL.
11	413160901	BOTTOM COVER,XY-UNIT X=200
12	413161101	GUIDE,XY-UNIT X=200
13	413028502	FOOT,XY-UNIT CPL.
14	412056006	SCREW TAPTITE M4*12 TORX
15	413030101	TRANSPORT LOCKING DEVICE
16	413119801	SUPPORT ARM, Y-ARM

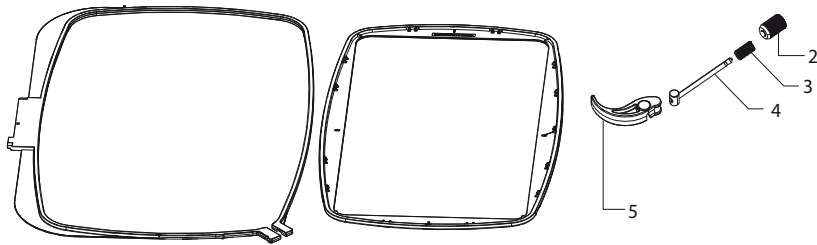


1	413026701	Y-SLED CPL.
2	411966801	SCREW PT 30*7,5 FZB TORX
3	412525301	HOLDER BELT
4	411967306	SCREW PT FS 25*6 OXSV TORX
5	412749801	SENSOR EMBR. FRAME
6	412525402	SENSOR EMBROIDERY FRAME
7	412555701	SPRING
8	413030201	LOCKING ARM,Y-SLED
9	412526601	SPRING
10	412590003	SLEEVE
11	413026901	PANEL Y-SLED, CPL.
12	413026801	Y-SLED
13	735310820	LOCK WASHER 4
14	412384301	WASHER 6/13*0,6
15	412384202	COG WHEEL
16	413027201	SYNCHRONOUS BELT XY-UNIT
17	413029601	BOARD, HOOP DETECTION CPL.
18	412056004	SCREW TAPTITE M3*6 TORX
19	412524601	GEAR WHEEL
20	413029301	BOARD,Y-ARM CPL.
21	413029901	STEPPER MOTOR,XY-UNIT CPL.
22	412056005	SCREW TAPTITE M4*10 TORX
23	412524901	PLATE,BELT TENSION CPL.
24	412281904	SCREW FLANGE M4*10 TAPTITE TORX
25	412526702	Y-BELT
26	413029003	BOARD, XY-UNIT CPL. 360*200
27	412388107	FLEX CABLE

360x200



120x120



1	412944501	EMBROIDERY FRAME CPL.360*200
2	412996501	NUT. EMBR. FRAME
3	412620701	SPRING, EMBROIDERY HOOP
4	412956204	SCREW CPL. HOOP
5	412984701	LOCKING HANDLE EMBR. HOOP
6	412968201	EMBROIDERY FRAME CPL.120*115

Standard Accessories

401539901	Button hole knife
401555501	Cleaning brush
412083848	Pictogram pen
412380445	Blind hem presser foot D
412380645	Edging presser foot J
412381501	Screw driver
412397701	Thread net
412601945	Edge guide
412610701	Felt pad
412625904	USB Cable
412693404	Stylus
412764001	Presser foot A
412785345	Buttonhole presser foot C
412785545	1/4" Piecing foot
412795245	Sidemotion foot "S"
412796145	Smooth glide foot H
412801545	Zipper presser foot E
412815102	One-step buttonhole foot
412827401	Glide plate, buttonhole foot
412849801	Embroidery foot R
413021620	Standard accessories cpl.
413051601	Spool holder small 22mm
413051603	Spool holder large 45mm
413095706	USB memory 1GB
413105601	Clearance plate
413113645	Presser foot B
413182545	Plastic Bobbin 10-pack
620071196	Univ. needle 70/80/90, 5-p

Users Guide

413314301	Users Guide Designer Ruby, Swe
413314306	Users Guide Designer Ruby, Den
413314310	Users Guide Designer Ruby, Jap
413314311	Users Guide Designer Ruby, Fin
413314321	Users Guide Designer Ruby, Norw
413314326	Users Guide Designer Ruby, Eng
413314331	Users Guide Designer Ruby, Fra
413314336	Users Guide Designer Ruby, Holl
413314341	Users Guide Designer Ruby, Ita
413314346	Users Guide Designer Ruby, Spa
413314351	Users Guide Designer Ruby, Ger