

PARTS CATALOGUE

FOR

MODEL PRESTIGE 30

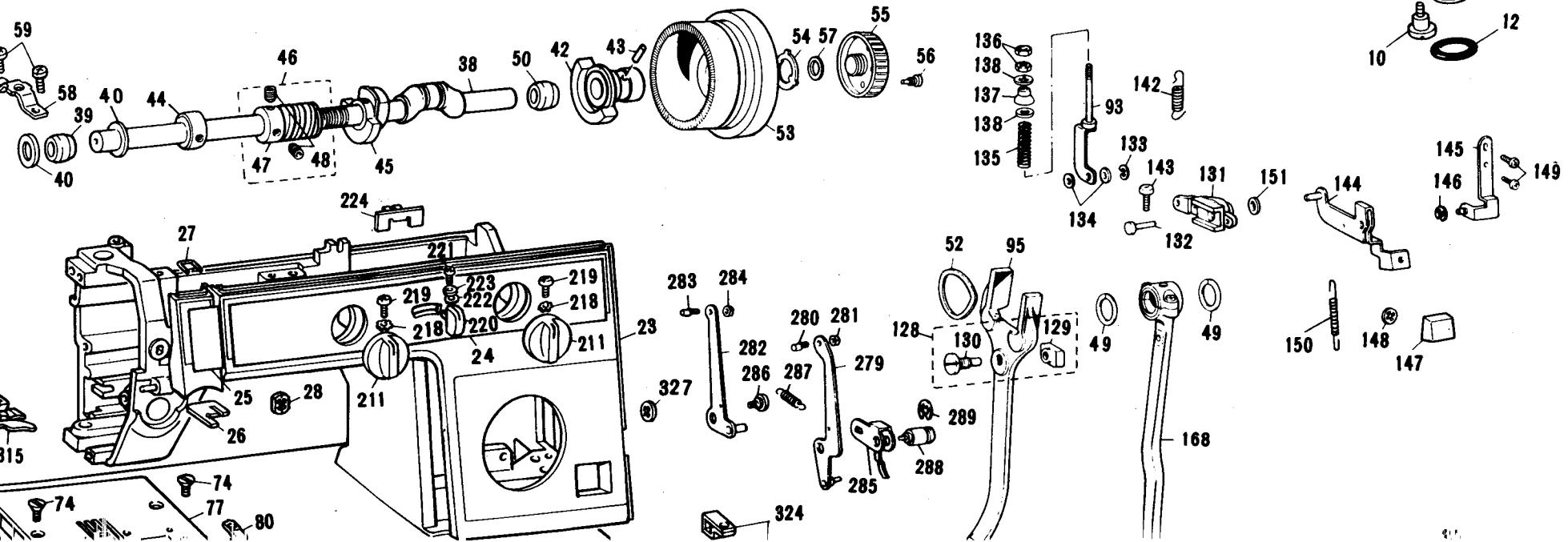
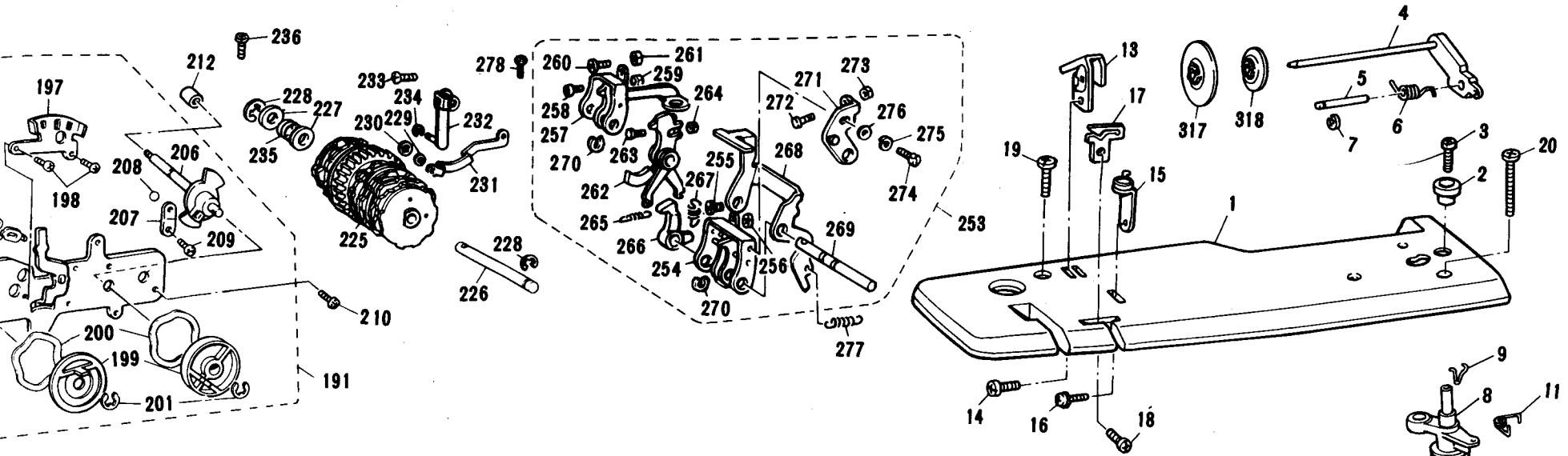
REF. NO.	PARTS NO.	PARTS NAME	REF. NO.	PARTS NO.	PARTS NAME
1	X55530051	TOP COVER	36	060401416	SCREW
2	121846051	BOBBIN PRESSER	37	118315000	VINYL BUSH
3	062671614	SCREW	38	128433000	UPPER SHAFT
4	X55531051	SPOOL PIN	39	X55547050	METAL
5	X55532051	SPOOL PIN SHAFT	40	X55548050	SLAST WASHER
6	X53630051	SPRING	41	137576001	ECCENTRIC COUNTER WEIGHT
7	048040346	STOP RING	42	131030050	BALANCE WHEEL BUSHING
8	X00141051	BOBBIN WINDER ASSEMBLY	43	120438001	PIN
9	125928000	SPRING	44	X55549051	SET COLLAR
10	120263051	STUD SCREW	45	131335001	FEED CAM ASSEMBLY
11	X55533051	SPRING	46	X54447251	WORM ASSEMBLY
12	120448051	BOBBIN WINDER RUBBER RING	47	137301251	WORM
13	X54333051	THREAD GUIDE ASSEMBLY	48	014400632	SCREW
14	060300616	SCREW	49	118519081	WASHER
15	X54336051	BOBBIN WINDER THREAD GUIDE ASSEMBLY	50	X55551050	METAL
16	U27736051	SCREW	51	129559151	SCREW
17	X00155001	TOP COVER THREAD GUIDE	52	124616000	WASHER
18	062670612	SCREW	53	X55552051	BALANCE WHEEL
19	060401204	SCREW	54	100041002	STOP MOTION WASHER
20	060404004	SCREW	55	132170068	STOP MOTION KNOB
21	X56430051	FACE PLATE	56	100043053	STOP MOTION KNOB SCREW
22	138642051	REFLECTOR	57	125096051	WASHER
23	X55635051	FRONT COVER	58	X55553051	METAL PRESSER
24	X55637051	ARM DECORATION SHEET A	59	060400816	SCREW
25	X55638051	ARM DECORATION SHEET B	60	128599001	NEEDLE BAR SUPPORTER
26	X52442051	THREAD GUIDE	61	136872151	NEEDLE BAR
27	X55542051	FRONT COVER THREAD GUIDE	62	129560001	NEEDLE BAR SUPPORTER STUD
28	123518001	STOP RING	63	048050346	STOP RING
29	X55543051	FRONT COVER SITTING PLATE	64	129919151	NEEDLE BAR CRANK ROD ASSEMBLY
30	X55636051	REAR COVER	65	014680432	SCREW
31	052401406	SCREW	66	100507050	METAL PLATE
32	533777001	SCREW	67	014401632	SCREW
33	062671614	SCREW	68	120110051	SPRING
34	025350134	WASHER	69	100028014	NEEDLE #14
35	130128001	WASHER	70	X54859051	NEEDLE CLAMP ASSEMBLY

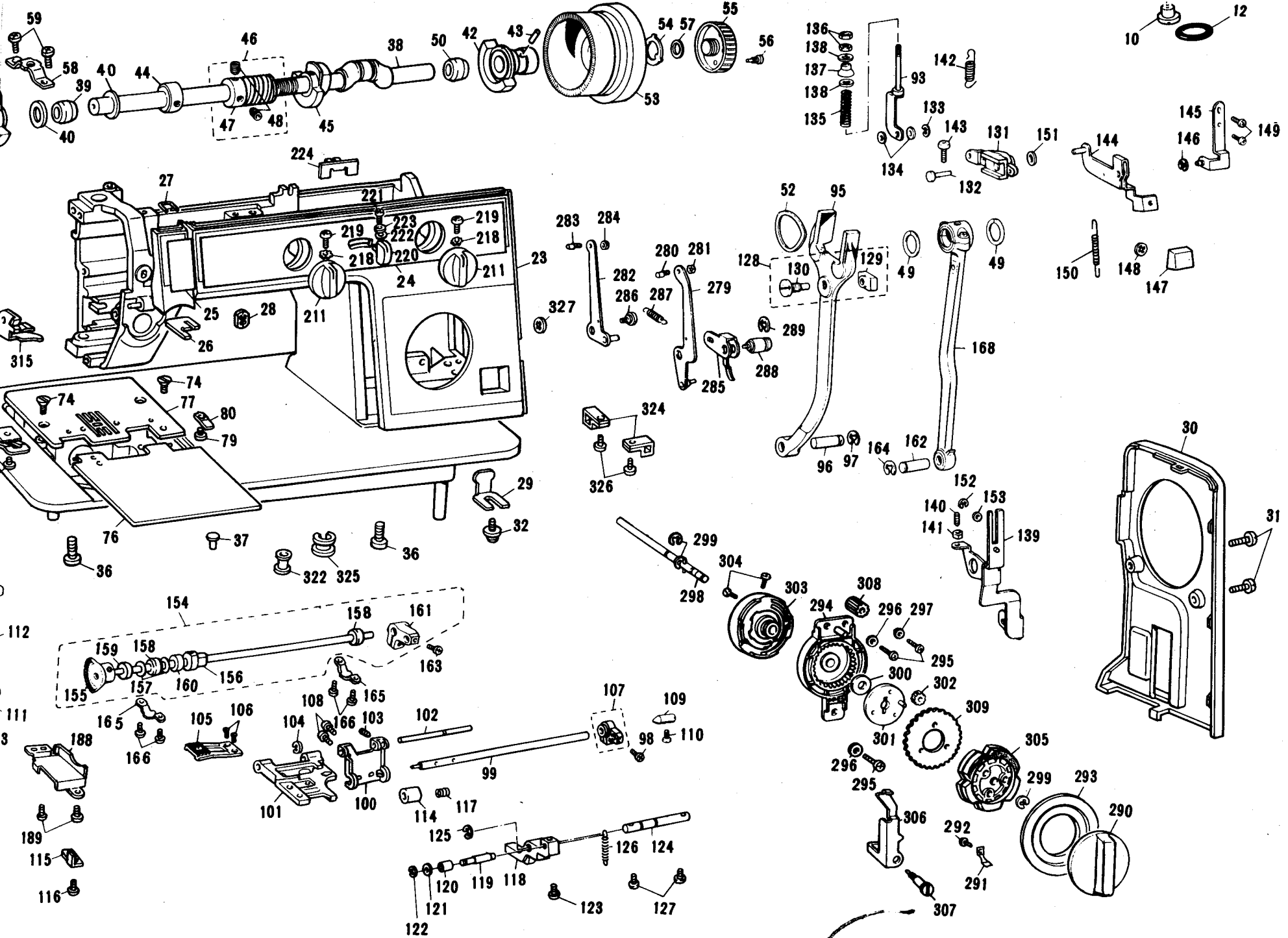
REF.NO.	PARTS NO.	PARTS NAME	REF.NO.	PARTS NO.	PARTS NAME
71	125161080	NEEDLE GUIDE PLATE	106	100080003	SCREW
72	128391001	NEEDLE BAR THREAD GUIDE	107	X55565051	HORIZONTAL FEED SHAFT ARM
73	100139051	SCREW	108	060400816	SCREW
74	X50487051	SCREW	109	X54390051	TAPER POINT STUD R
75	123185001	SCREW	110	060401416	SCREW
76	X55769051	SLIDE PLATE	111	X55567051	SPRING HOLDER
77	X55641051	NEEDLE PLATE	112	X55568051	SPRING
78	124766051	NEEDLE PLATE SPRING	113	060400816	SPRING
79	X55557051	SCREW	114	X55569051	HORIZONTAL FEED SHAFT METAL L
80	X55558051	NEEDLE PLATE SPRING R	115	X55570051	METAL PRESSER PLATE
81	X55559051	THREAD TAKE-UP LEVER ASSEMBLY	116	060400816	SCREW
82	014400832	SCREW	117	X56613051	SPRING
83	130948050	PRESSER BAR	118	130874151	VERTICAL FEED ARM
84	X55770051	PRESSER BAR SPRING	119	130875001	VERTICAL FEED ROLLER SHAFT
85	138654001	PRESSER BAR GUIDE BRACKET	120	123865000	VERTICAL FEED ROLLER
86	151605001	SCREW	121	100579003	WASHER
87	138655001	PRESSER FOOT LIFTER	122	048030346	STOP RING
88	138656251	PRESSER FOOT LIFTER SHAFT	123	120990051	SCREW
89	062401216	SCREW	124	X55573051	VERTICAL FEED ARM SHAFT
90	131046051	PRESSER FOOT ASSEMBLY	125	048050346	STOP RING
91	X53667051	THUMB SCREW	126	118352051	SPRING
92	X55771051	PATCH-MATIC PRESSURE ADJUSTER	127	060401216	SCREW
93	137313001	FEED ADJUSTING BAR	128	115234051	SLIDE BLOCK ASSEMBLY
94	048050346	STOP RING	129	X55473051	SLIDE BLOCK
95	130870001	FORKED CONNECTING ROD	130	100067051	SLIDE BLOCK STUD
96	129991001	STUD	131	X54314051	FEED REGULATOR ASSEMBLY
97	048050346	STOP RING	132	123547000	FEED REGULATOR STUD
98	131331051	SCREW	133	048030346	STOP RING
99	X55562051	HORIZONTAL FEED SHAFT	134	103813001	WASHER
100	X55564051	HORIZONTAL FEED ARM	135	128506001	SPRING
101	X56614050	FEED BAR	136	102571053	NUT
102	120997050	FEED BAR SHAFT	137	128507001	COLLAR
103	014400632	SCREW	138	113431002	WASHER
104	048040346	STOP RING	139	X55644051	FEED REGULATOR ADJUSTING PLATE
105	129373051	FEED DOG	140	136150001	SCREW

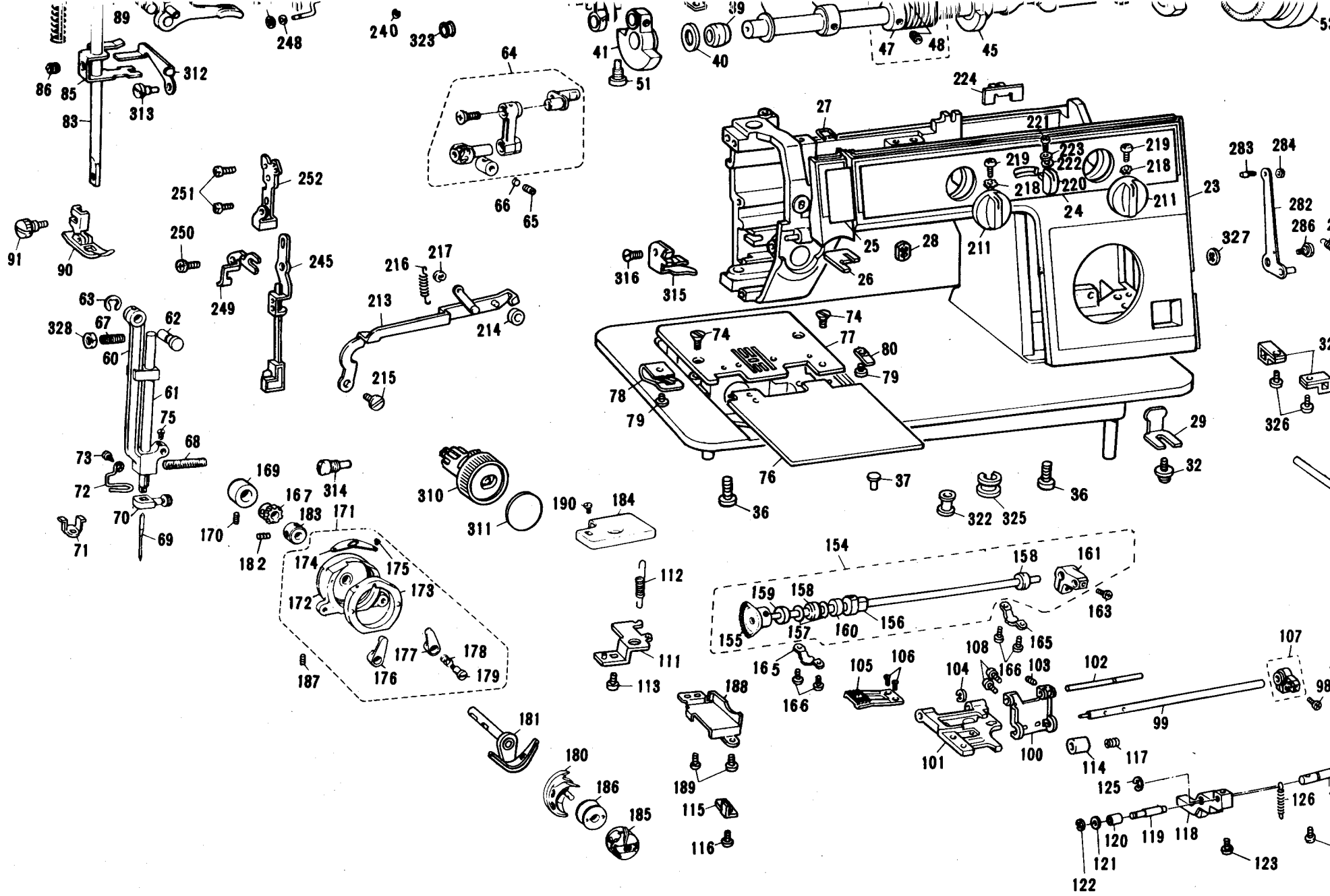
REF.NO.	PARTS NO.	PARTS NAME	REF.NO.	PARTS NO.	PARTS NAME
141	021660102	NUT	176	X56769051	SET LEVER L
142	139466001	SPRING	177	X56770051	SET LEVER R
143	062401216	SCREW	178	128476051	SPRING
144	X55580051	FEED ADJUSTING LEVER	179	128477051	STUD SCREW
145	X55615051	FEED ADJUSTING LEVER SUPPORTER	180	128581051	SHUTTLE HOOK
146	048030346	STOP RING	181	X55592051	SHUTTLE DRIVER ASSEMBLY
147	X00188007	REVERSE SEWING BUTTON	182	014400432	SCREW
148	120454051	STOP RING	183	X54433051	COLLAR
149	062400816	SCREW	184	139100051	GEAR COVER
150	X55582051	SPRING	185	128582083	BOBBIN CASE ASSEMBLY
151	X53330050	WASHER	186	X52800050	BOBBIN
152	048040346	STOP RING	187	014400632	SCREW
153	025060132	WASHER	188	X55595051	GEAR COVER D
154	X55917051	LOWER SHAFT COMPLETE	189	060400816	SCREW
155	X55586051	LOWER SHAFT ASSEMBLY	190	060400816	SCREW
156	X54423051	VERTICAL FEED CAM ASSEMBLY	191	X55647051	FRAME ASSEMBLY
157	X51383050	WASHER	192	X55648051	CONTROL FRAME BODY
158	X52664050	LOWER SHAFT BUSHING	193	X55651051	ZIGZAG ADJUSTING LEVER ASSEMBLY
159	137767151	SET COLLAR	194	X55653051	ZIGZAG LINK ASSEMBLY
160	X55588051	COLLAR	195	123553001	RIVET
161	X55589051	LOWER SHAFT CRANK	196	048090346	STOP RING
162	129991001	STUD	197	123702001	NEEDLE POSITION STOPPER
163	120990051	SCREW	198	062670412	SCREW
164	048050346	STOP RING	199	135375001	SPRING PRESSER PLATE
165	X54780151	METAL PRESSER	200	123586001	SPRING WASHER
166	060400816	SCREW	201	048040346	STOP RING
167	X55384051	SHUTTLE DRIVER SHAFT GEAR ASSEMBLY	202	123589001	ZIGZAG WIDTH CONTROL PLATE
168	128461001	CRANK ROD ASSEMBLY	203	025660132	WASHER
169	131305000	SHUTTLE DRIVER SHAFT BUSHING	204	062660614	SCREW
170	014400632	SCREW	205	124303001	SPRING WASHER
171	X56767051	SHUTTLE RACE ASSEMBLY	206	X55655051	STITCH REGULATING DIAL SHAFT ASSEMBLY
172	X56768051	SHUTTLE RACE BODY	207	124699001	NEEDLE POSITION NOTCHED SPRING
173	X56672051	SHUTTLE RACE RING	208	101026001	STEEL BALL
174	129659051	SHUTTLE RACE TOP SPRING	209	110215002	SCREW
175	X56676051	SCREW	210	060400816	SCREW

REF.NO.	PARTS NO.	PARTS NAME	REF.NO.	PARTS NO.	PARTS NAME
211	X53535151	ADJUSTING KNOB	246	025350332	WASHER
212	X52412051	STITCH REGULATING DIAL SHAFT JOINT	247	120454051	STOP RING
213	X55656051	ZIGZAG CONNECTING ROD ASSEMBLY	248	025350132	WASHER
214	X52156000	ROLLER	249	X55762051	BH LEVER SPRING
215	105433001	ECCENTRIC STUD	250	060400616	SCREW
216	124503002	SPRING	251	062400612	SCREW
217	048030346	STOP RING	252	X55660051	BH STOPPER PLATE
218	027030226	WASHER	253	X54234251	FINGER SHAFT ASSEMBLY
219	062660802	SCREW	254	X54235151	Z FINGER FRAME
220	X53536051	NEEDLE POSITION KNOB	255	120258051	SCREW
221	062630816	SCREW	256	021670102	NUT
222	124319000	WASHER	257	X54237051	F FINGER FRAME
223	025630132	WASHER	258	120258051	SCREW
224	X53977051	NEEDLE POSITION KNOB COVER	259	021670102	NUT
225	137323251	PATTERN CAM ASSEMBLY	260	120258051	SCREW
226	X55659050	PATTERN CAM SHAFT	261	021670102	NUT
227	128491051	WASHER	262	137352001	BH FINGER ASSEMBLY
228	048050346	STOP RING	263	120258051	SCREW
229	025350132	WASHER	264	021670102	NUT
230	120454051	STOP RING	265	137027001	SPRING
231	X50275051	FEED CONTROL CAM ROD	266	137358151	BHZ FINGER ASSEMBLY
232	X50273051	FEED ADJUSTING ARM	267	137359001	SPRING
233	062670812	SCREW	268	X54239051	RELEASE LEVER
234	048030346	STOP RING	269	137362001	FINGER SHAFT
235	X52017051	SPRING	270	137191051	STOP RING
236	062401216	SCREW	271	X54240051	ZIGZAG ADJUSTING ARM
237	137337001	BH STOPPER ASSEMBLY	272	120258051	SCREW
238	x54456151	BH CHANGE ARM ASSEMBLY	273	021670102	NUT
239	136995001	BH CHANGE SHAFT	274	136982001	SCREW
240	048020346	STOP RING	275	028350243	SPRING WASHER
241	136996051	BH NOTCHED SPRING	276	025350132	WASHER
242	136997051	BH SPRING	277	137363051	SPRING
243	062670612	SCREW	278	062671012	SCREW
244	062670612	SCREW	279	137366001	Z SELECTING LEVER ASSEMBLY
245	X50170151	BH LEVER ASSEMBLY	280	123645051	SCREW

REF.NO.	PARTS NO.	PARTS NAME	REF.NO.	PARTS NO.	PARTS NAME
281	102571053	NUT	316	062400816	SCREW
282	137370151	FEED SELECTING LEVER A	317	130012053	SPOOL PRESSER A
283	123645051	SCREW	318	130013053	SPOOL PRESSER B
284	102571053	NUT	319		SEW-LIGHT ASSEMBLY
285	137372001	FEED SELECTING LEVER B	320		SEW-LIGHT BULB
286	X55600051	STUD SCREW	321	062400816	SCREW
287	138473001	SPRING	322	120681001	CORD BUSH
288	X55662051	STUD SHAFT	323	X54171051	CORD BUSH
289	048070346	STOP RING	324	124703001	CORD HOLDER, C
290	X55664051	PATTERN SELECTING DIAL	325	102009051	CORD BUSH
291	X50399001	SPRING PLATE	326	060400616	SCREW
292	037200616	SCREW	327	124246051	STOP RING
293	X55665051	SELECTING DIAL FRAME	328	021400202	NUT
294	X51357001	GEAR BOX FOR PATTERN SELECTING DIAL			
295	062400816	SCREW			
296	026040232	WASHER			
297	025040133	WASHER			
298	X55667051	PATTERN SELECTING DIAL SHAFT ASSEMBLY			
299	048050346	STOP RING			
300	128491051	WASHER			
301	X51353001	GEAR HOLDER ASSEMBLY			
302	X51355000	IDLE GEAR			
303	X54263051	SELECTING CAM			
304	062670612	SCREW			
305	X51223000	RELEASE CAM			
306	X55669051	RELEASE LEVER			
307	X55670051	RELEASE LEVER SHAFT			
308	X50415000	GEAR			
309	X50416101	GEAR 44			
310	X55903051	UPPER TENSION ASSEMBLY			
311	X52419054	TENSION CONTROL KNOB PLATE			
312	X52441051	TENSION RELEASER			
313	X55600051	STUD SCREW			
314	X54520051	SCREW			
315	X52422151	ARM THREAD GUIDE			







PRESTIGE 30 (882-608)

T1080089

Printed in Taiwan