

PARTS CATALOGUE

FOR

MODEL PRESTIGE 20

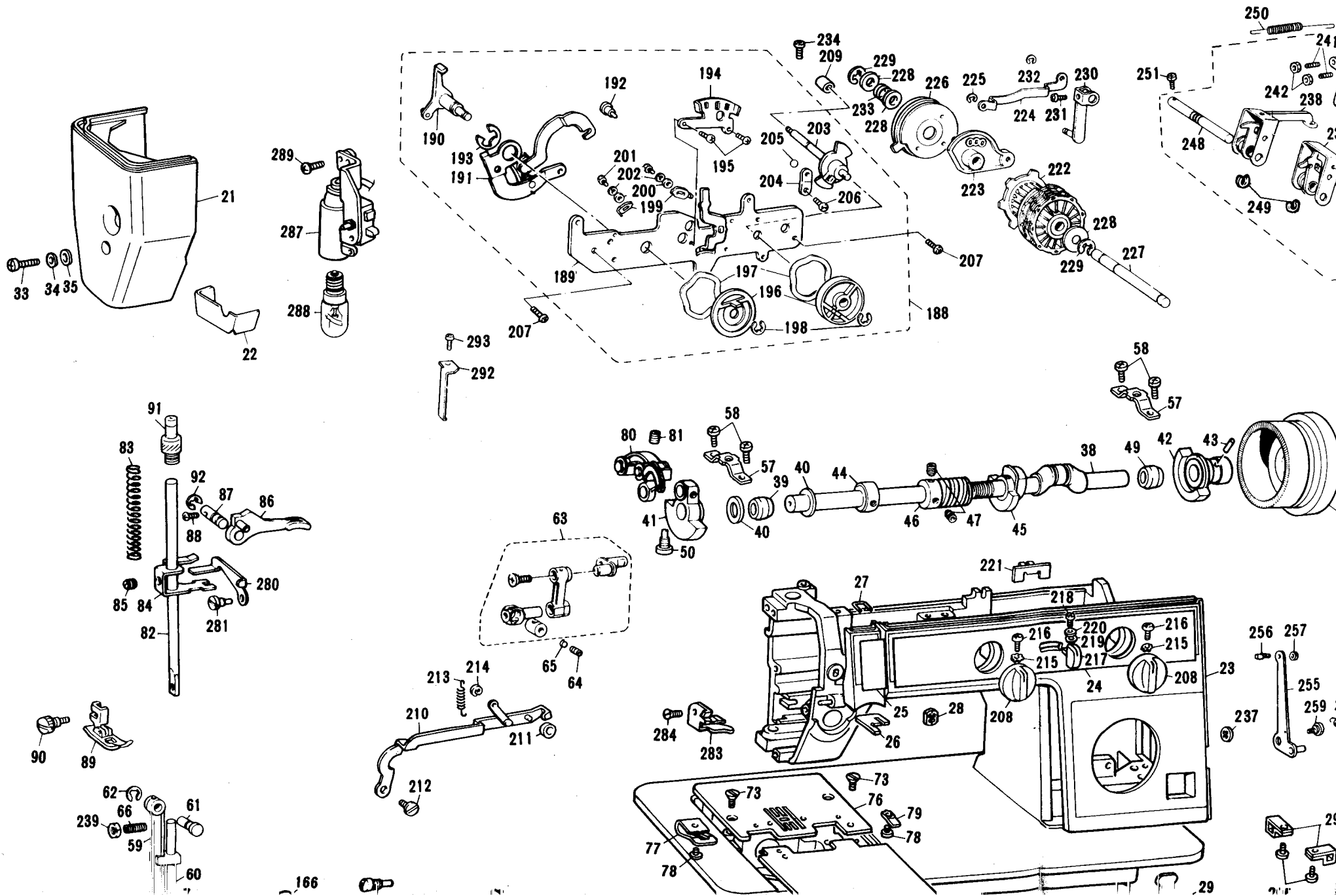
REF. NO.	PARTS NO.	PARTS NAME	REF. NO.	PARTS NO.	PARTS NAME
1	X55530051	TOP COVER	36	060401416	SCREW
2	121846051	BOBBIN PRESSER	37	118315000	VINYL BUSH
3	062671614	SCREW	38	128433000	UPPER SHAFT
4	X55531051	SPOOL PIN	39	X55547050	METAL
5	X55532051	SPOOL PIN SHAFT	40	X55548050	SLAST WASHER
6	X53630051	SPRING	41	137576001	ECCENTRIC COUNTER WEIGHT
7	048040346	STOP RING	42	131030050	BALANCE WHEEL BUSHING
8	X00141051	BOBBIN WINDER ASSEMBLY	43	120438001	PIN
9	125928000	SPRING	44	X55549051	SET COLLAR
10	120263051	STUD SCREW	45	131335001	FEED CAM ASSEMBLY
11	X55533051	SPRING	46	131653251	WORM
12	120448051	BOBBIN WINDER RUBBER RING	47	014400632	SCREW
13	X54333051	THREAD GUIDE ASSEMBLY	48	118519081	WASHER
14	060300616	SCREW	49	X55551050	METAL
15	X54336051	BOBBIN WINDER THREAD GUIDE ASSEMBLY	50	129559151	SCREW
16	U27736051	SCREW	51	124616000	WASHER
17	X00155001	TOP COVER THREAD GUIDE	52	X55552051	BALANCE WHEEL
18	062670612	SCREW	53	100041002	STOP MOTION WASHER
19	060401204	SCREW	54	132170068	STOP MOTION KNOB
20	060404004	SCREW	55	100043053	STOP MOTION KNOB SCREW
21	X56430051	FACE PLATE	56	125096051	WASHER
22	138642051	REFLECTOR	57	X55553051	METAL PRESSER
23	X55635051	FRONT COVER	58	060400816	SCREW
24	X55790051	ARM DECORATION SHEET A	59	128599001	NEEDLE BAR SUPPORTER
25	X55791051	ARM DECORATION SHEET B	60	136872151	NEEDLE BAR
26	X52442051	THREAD GUIDE	61	129560001	NEEDLE BAR SUPPORTER STUD
27	X55542051	FRONT COVER THREAD GUIDE	62	048050346	STOP RING
28	123518001	STOP RING	63	129919151	NEEDLE BAR CRANK ROD ASSEMBLY
29	X55543051	FRONT COVER STTING PLATE	64	014680432	SCREW
30	X55636051	REAR COVER	65	100507050	METAL PLATE
31	052401406	SCREW	66	014401632	SCREW
32	533777001	SCREW	67	120110051	SPRING
33	062671614	SCREW	68	100028014	NEEDLE #14
34	025350134	WASHER	69	X54859051	NEEDLE CLAMP ASSEMBLY
35	130128001	WASHER	70	125161080	NEEDLE GUIDE PLATE

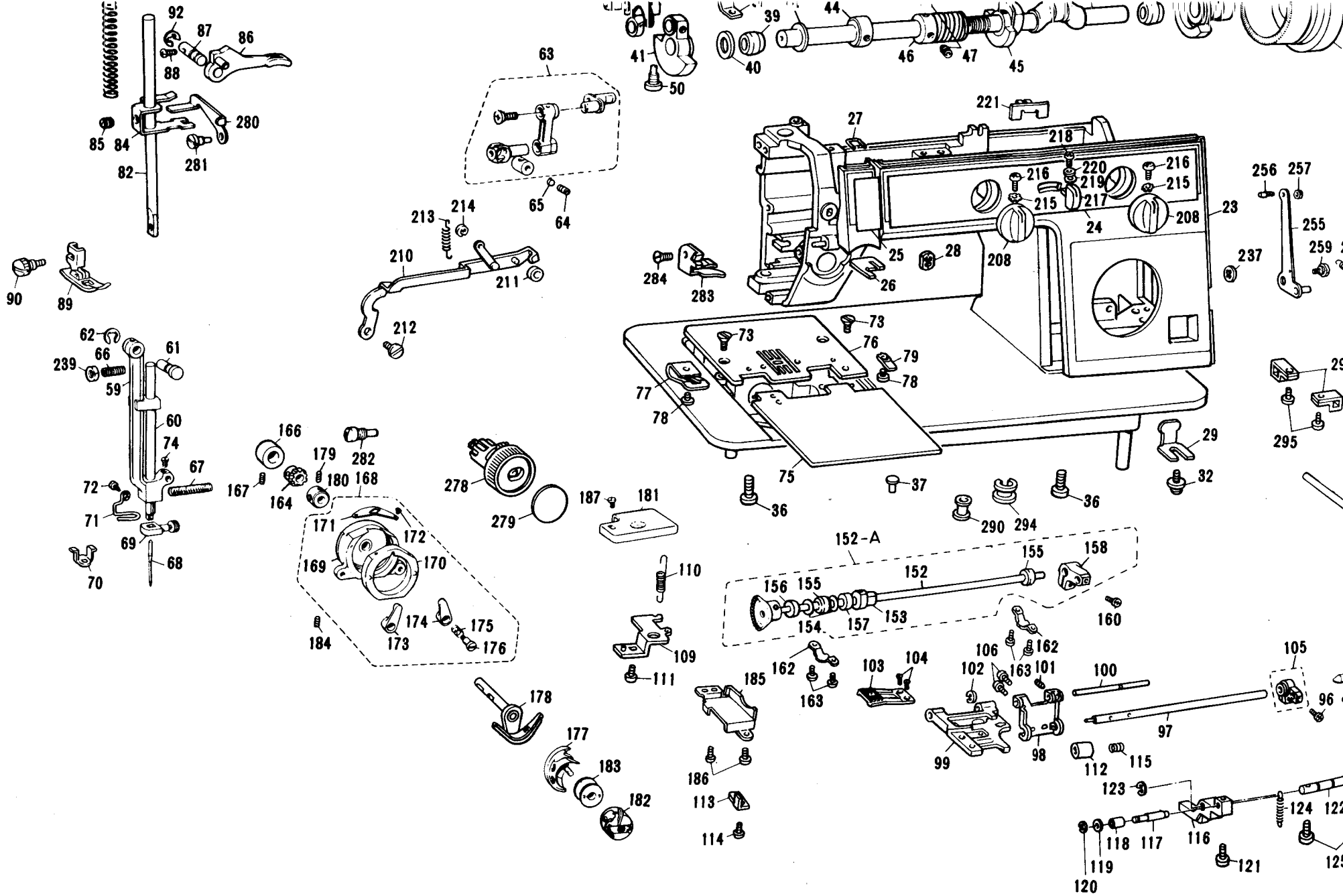
REF. NO.	PARTS NO.	PARTS NAME	REF. NO.	PARTS NO.	PARTS NAME
71	128391001	NEEDLE BAR THREAD GUIDE	106	060400816	SCREW
72	100139051	SCREW	107	X54390051	TAPER POINT STUD R
73	X50487051	SCREW	108	060401416	SCREW
74	123185001	SCREW	109	X55567051	SPRING HOLDER
75	X55769051	SLIDE PLATE	110	X55568051	SPRING
76	X55641051	NEEDLE PLATE	111	060400816	SPRING
77	124766051	NEEDLE PLATE SPRING	112	X55569051	HORIZONTAL FEED SHAFT METAL L
78	X55557051	SCREW	113	X55570051	METAL PRESSER PLATE
79	X55558051	NEEDLE PLATE SPRING R	114	060400816	SCREW
80	X55559051	THREAD TAKE-UP LEVER ASSEMBLY	115	X56613051	SPRING
81	014401632	SCREW	116	130874151	VERTICAL FEED ARM
82	130948050	PRESSER BAR	117	130875001	VERTICAL FEED ROLLER SHAFT
83	X55770051	PRESSER BAR SPRING	118	123865000	VERTICAL FEED ROLLER
84	138654001	PRESSER BAR GUIDE BRACKET	119	100579003	WASHER
85	151605001	SCREW	120	048030346	STOP RING
86	138655001	PRESSER FOOT LIFTER	121	120990051	SCREW
87	138656251	PRESSER FOOT LIFTER SHAFT	122	X55573051	VERTICAL FEED ARM SHAFT
88	062401216	SCREW	123	048050346	STOP RING
89	131046051	PRESSER FOOT ASSEMBLY	124	118352051	SPRING
90	X53667051	THUMB SCREW	125	060401216	SCREW
91	X55771051	PATCH-MATIC PRESSURE ADJUSTER	126	115234051	SLIDE BLOCK ASSEMBLY
92	048050346	STOP RING	127	X55473051	SLIDE BLOCK
93	130870001	FORKED CONNECTING ROD	128	100067051	SLIDE BLOCK STUD
94	129991001	STUD	129	X55793051	FEED REGULATOR ASSEMBLY
95	048050346	STOP RING	130	137064001	FEED ADJUSTING BAR
96	131331051	SCREW	131	123547000	FEED REGULATOR STUD
97	X55562051	HORIZONTAL FEED SHAFT	132	048030346	STOP RING
98	X55564051	HORIZONTAL FEED ARM	133	103813001	WASHER
99	X56614050	FEED BAR	134	128506001	SPRING
100	120997050	FEED BAR SHAFT	135	113431002	WASHER
101	014400632	SCREW	136	102571053	NUT
102	048040346	STOP RING	137	128507001	COLLAR
103	129373051	FEED DOG	138	113431002	WASHER
104	100080003	SCREW	139	X55644051	FEED REGULATOR ADJUSTING PLATE
105	X55565051	HORIZONTAL FEED SHAFT ARM	140	136150001	SCREW

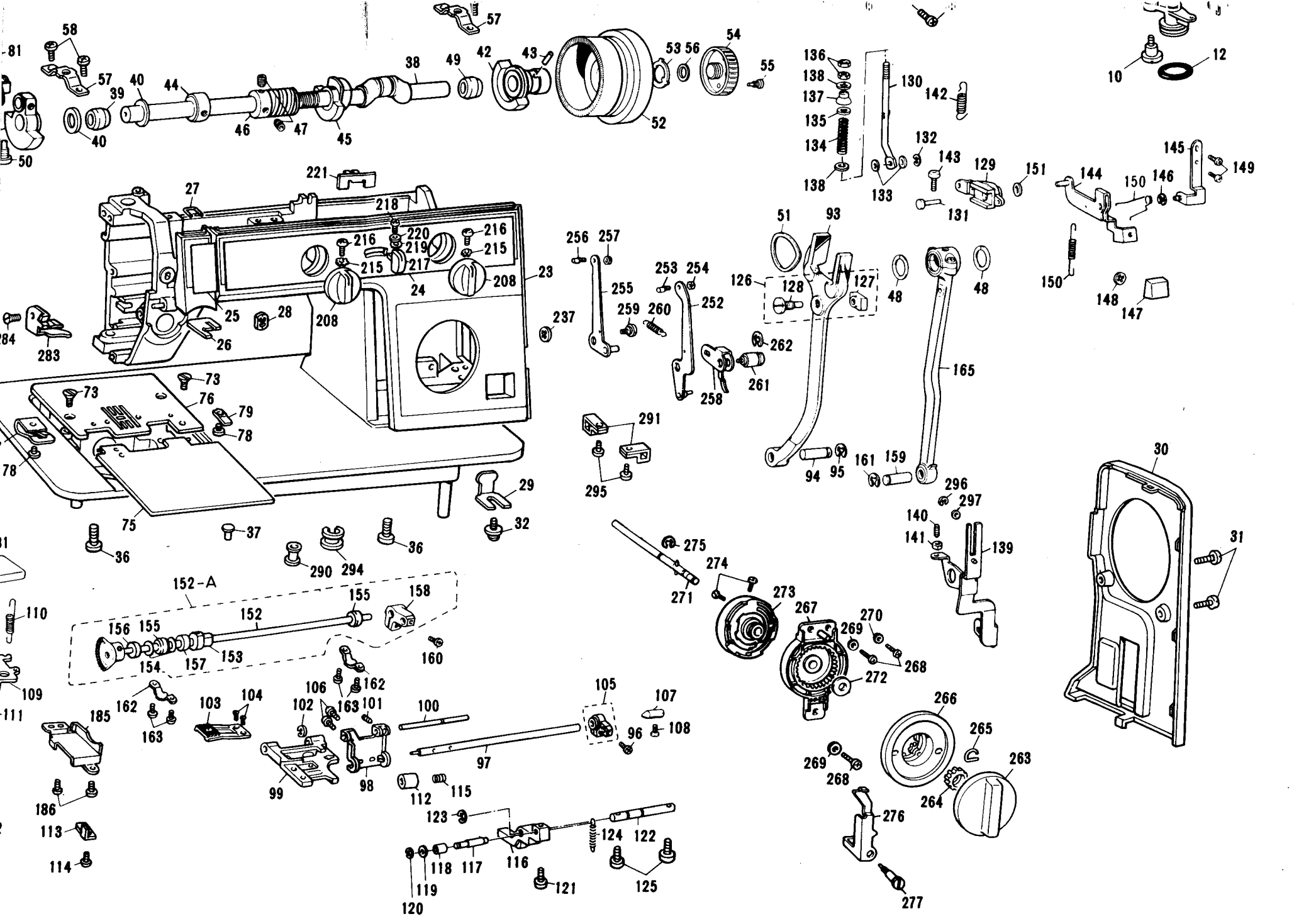
REF. NO.	PARTS NO.	PARTS NAME	REF. NO.	PARTS NO.	PARTS NAME
141	021660102	NUT	175	128476051	SPRING
142	139466001	SPRING	176	128477051	STUD SCREW
143	062401216	SCREW	177	128581051	SHUTTLE HOOK
144	X55580051	FEED ADJUSTING LEVER	178	X55592051	SHUTTLE DRIVER ASSEMBLY
145	X55615051	FEED ADJUSTING LEVER SUPPORTER	179	014400432	SCREW
146	048030346	STOP RING	180	X54433051	COLLAR
147	X00188007	REVERSE SEWING BUTTON	181	139100051	GEAR COVER
148	120454051	STOP RING	182	128582083	BOBBIN CASE ASSEMBLY
149	062400816	SCREW	183	X52800050	BOBBIN
150	X55582051	SPRING	184	014400632	SCREW
151	X53330050	WASHER	185	X55595051	GEAR COVER D
152-A	X55917051	LOWER SHAFT COMPLETE	186	060400816	SCREW
152	X55586051	LOWER SHAFT ASSEMBLY	187	060400816	SCREW
153	X54423051	VERTICAL FEED CAM ASSEMBLY	188	X55647051	FRAME ASSEMBLY
154	X51383050	WASHER	189	X55648051	CONTROL FRAME BODY
155	X52664050	LOWER SHAFT BUSHING	190	X55651051	ZIGZAG ADJUSTING LEVER ASSEMBLY
156	137767151	SET COLLAR	191	X55653051	ZIGZAG LINK ASSEMBLY
157	X55588051	COLLAR	192	123553001	RIVET
158	X55589051	LOWER SHAFT CRANK	193	048090346	STOP RING
159	129991001	STUD	194	123702001	NEEDLE POSITION STOPPER
160	120990051	SCREW	195	062670412	SCREW
161	048050346	STOP RING	196	135375001	SPRING PRESSER PLATE
162	X54780151	METAL PRESSER	197	123586001	SPRING WASHER
163	060400816	SCREW	198	048040346	STOP RING
164	X55384051	SHUTTLE DRIVER SHAFT GEAR ASSEMBLY	199	123589001	ZIGZAG WIDTH CONTROL PLATE
165	128461001	CRANK ROD ASSEMBLY	200	025660132	WASHER
166	131305000	SHUTTLE DRIVER SHAFT BUSHING	201	062660614	SCREW
167	014400632	SCREW	202	124303001	SPRING WASHER
168	X56767051	SHUTTLE RACE ASSEMBLY	203	X55655051	STITCH REGULATING DIAL SHAFT ASSEMBLY
169	X56768051	SHUTTLE RACE BODY	204	124699001	NEEDLE POSITION NOTCHED SPRING
170	X56672051	SHUTTLE RACE RING	205	101026001	STEEL BALL
171	129659051	SHUTTLE RACE TOP SPRING	206	110215002	SCREW
172	X56676051	SCREW	207	060400816	SCREW
173	X56769051	SET LEVER L	208	X53535151	ADJUSTING KNOB
174	X56770051	SET LEVER R	209	X52412051	STITCH REGULATING DIAL SHAFT JOINT

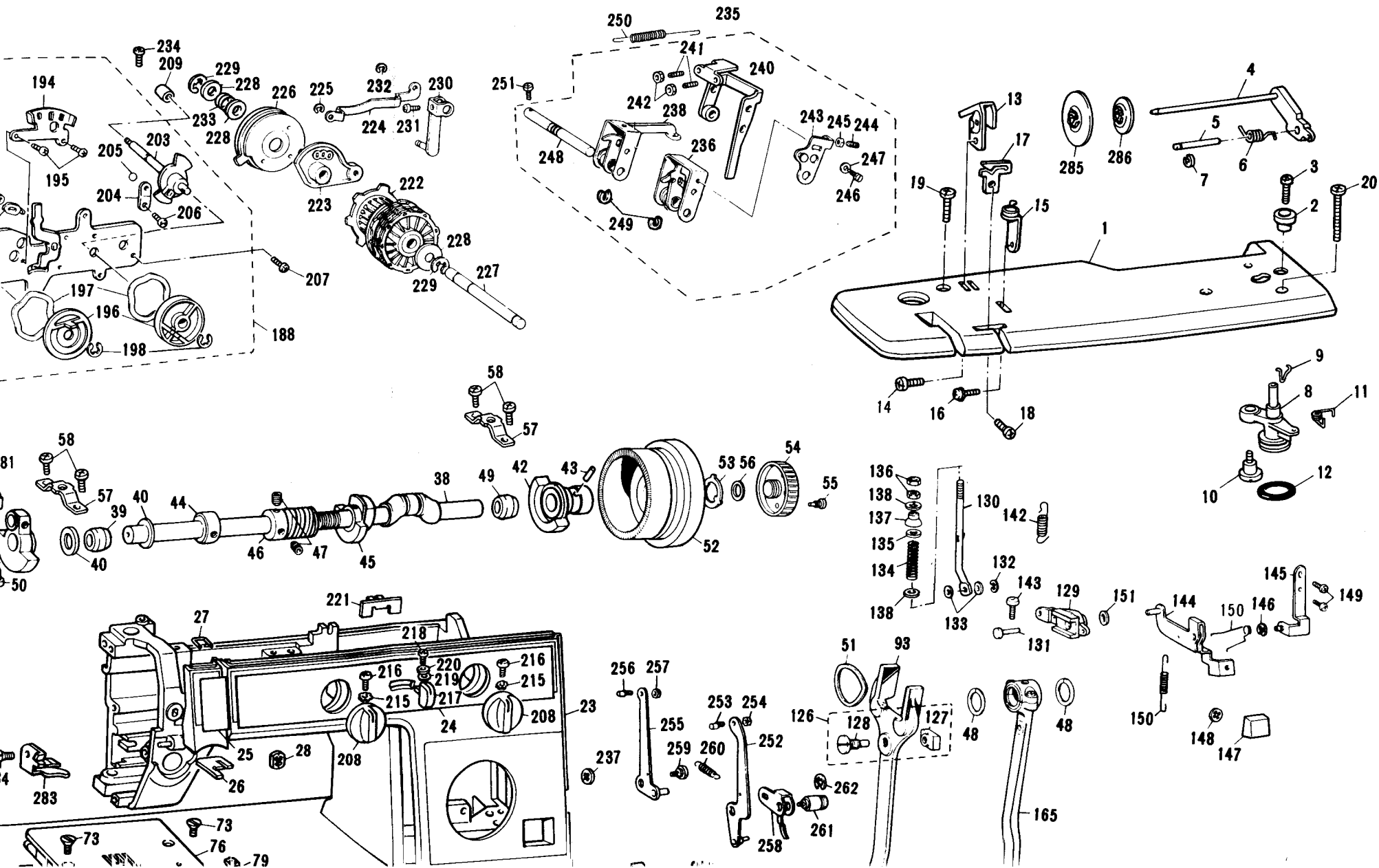
REF.NO.	PARTS NO.	PARTS NAME	REF.NO.	PARTS NO.	PARTS NAME
210	X55656051	ZIGZAG CONNECTING ROD ASSEMBLY	245	021660102	NUT
211	X52156000	ROLLER	246	136982001	SCREW
212	105433001	ECCENTRIC STUD	247	025350132	WASHER
213	124503002	SPRING	248	138229001	FINGER SHAFT
214	048030346	STOP RING	249	048050346	STOP RING
215	027030226	WASHER	250	125586001	SPRING
216	062660802	SCREW	251	062671012	SCREW
217	X53536051	NEEDLE POSITION KNOB	252	137366001	Z SELECTING LEVER ASSEMBLY
218	062630816	SCREW	253	123645051	SCREW
219	124319000	WASHER	254	102571053	NUT
220	025630132	WASHER	255	137370151	FEED SELECTING LEVER A
221	X53977051	NEEDLE POSITION KNOB COVER	256	123645051	SCREW
222	132882100	PATTERN CAM ASSEMBLY	257	102571053	NUT
223	128579001	BH FEED CONTROL CAM	258	137372001	FEED SELECTING LEVER B
224	X00280001	FEED CONTROL CAM ROD	259	X55600051	STUD SCREW
225	048030346	STOP RING	260	138473001	SPRING
226	131141051	BH FEED CAM	261	X55662051	STUD SHAFT
227	X55659050	PATTERN CAM SHAFT	262	048070346	STOP RING
228	128491051	WASHER	263	X55804051	PATTERN SELECTING DIAL
229	048050346	STOP RING	264	132865050	DRIVE GEAR
230	131471051	FEED ADJUSTING ARM	265	132871051	SPRING
231	062670812	SCREW	266	X55805051	SELECTING DIAL FRAME
232	048030346	STOP RING	267	132864000	GEAR BOX FOR PATTERN SELECTING DIAL
233	X52017051	SPRING	268	062400816	SCREW
234	062401216	SCREW	269	026040232	WASHER
235	X55797051	FINGER SHAFT ASSEMBLY	270	025040133	WASHER
236	123623001	Z FINGER FRAME	271	X55808051	PATTERN SELECTING DIAL SHAFT ASSEMBLY
237	124246051	STOP RING	272	128491051	WASHER
238	131187001	F FINGER FRAME	273	X54258051	SELECTING CAM
239	021400202	NUT	274	062670612	SCREW
240	137444001	RELEASE LEVER	275	048050346	STOP RING
241	103978002	SCREW	276	X55669051	RELEASE LEVER
242	021660102	NUT	277	X55670051	RELEASE LEVER SHAFT
243	X55800051	ZIGZAG ADJUSTING ARM	278	X55903051	UPPER TENSION ASSEMBLY
244	103978002	SCREW	279	X52419054	TENSION CONTROL KNOB PLATE

REF. NO.	PARTS NO.	PARTS NAME	REF. NO.	PARTS NO.	PARTS NAME
280	X52441051	TENSION RELEASER			
281	X55600051	STUD SCREW			
282	X54520051	SCREW			
283	X52422151	ARM THREAD GUIDE			
284	062400816	SCREW			
285	130012053	SPOOL PRESSER A			
286	130013053	SPOOL PRESSER B			
287		SEW-LIGHT ASSEMBLY			
288		SEW-LIGHT BULB			
289	062400816	SCREW			
290	120681001	CORD BUSH			
291	124703001	CORD HOLDER, C			
292	128412151	CORD GUIDE PLATE			
293	062670612	SCREW			
294	102009051	CORD BUSH			
295	060400616	SCREW			
296	048040346	STOP RING			
297	025060132	WASHER			









PRESTIGE 20 (882-688)

T1080088

Printed in Taiwan