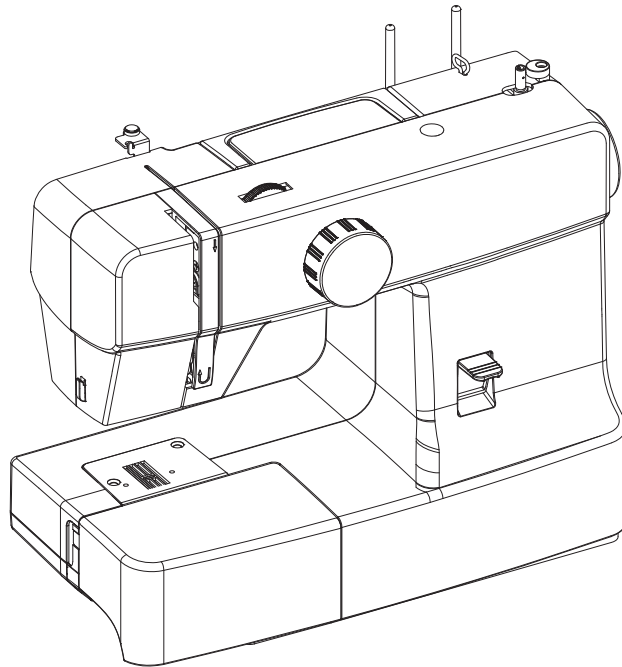




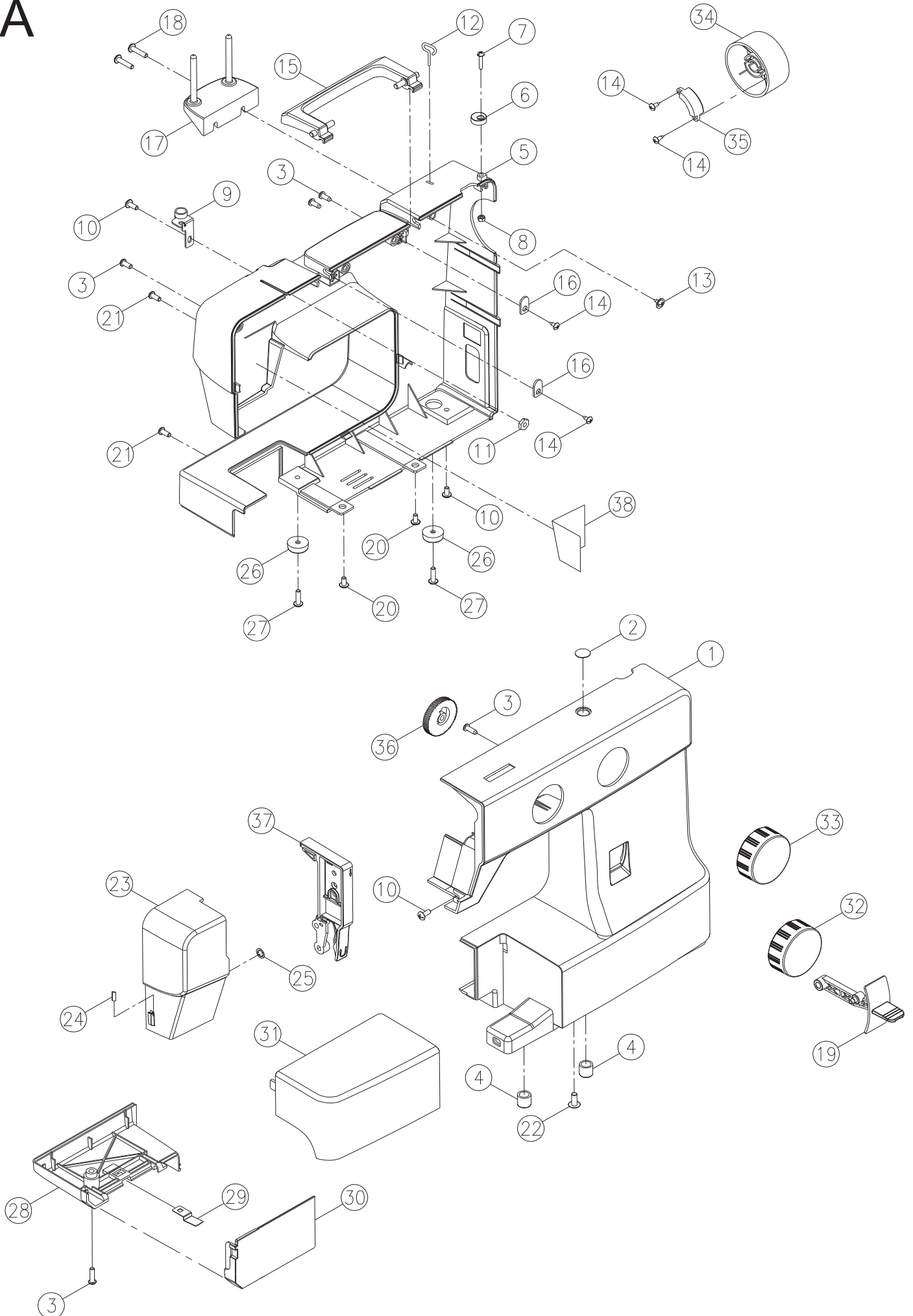
1512



Liste de pièces  
Lista de Piezas  
Parts List

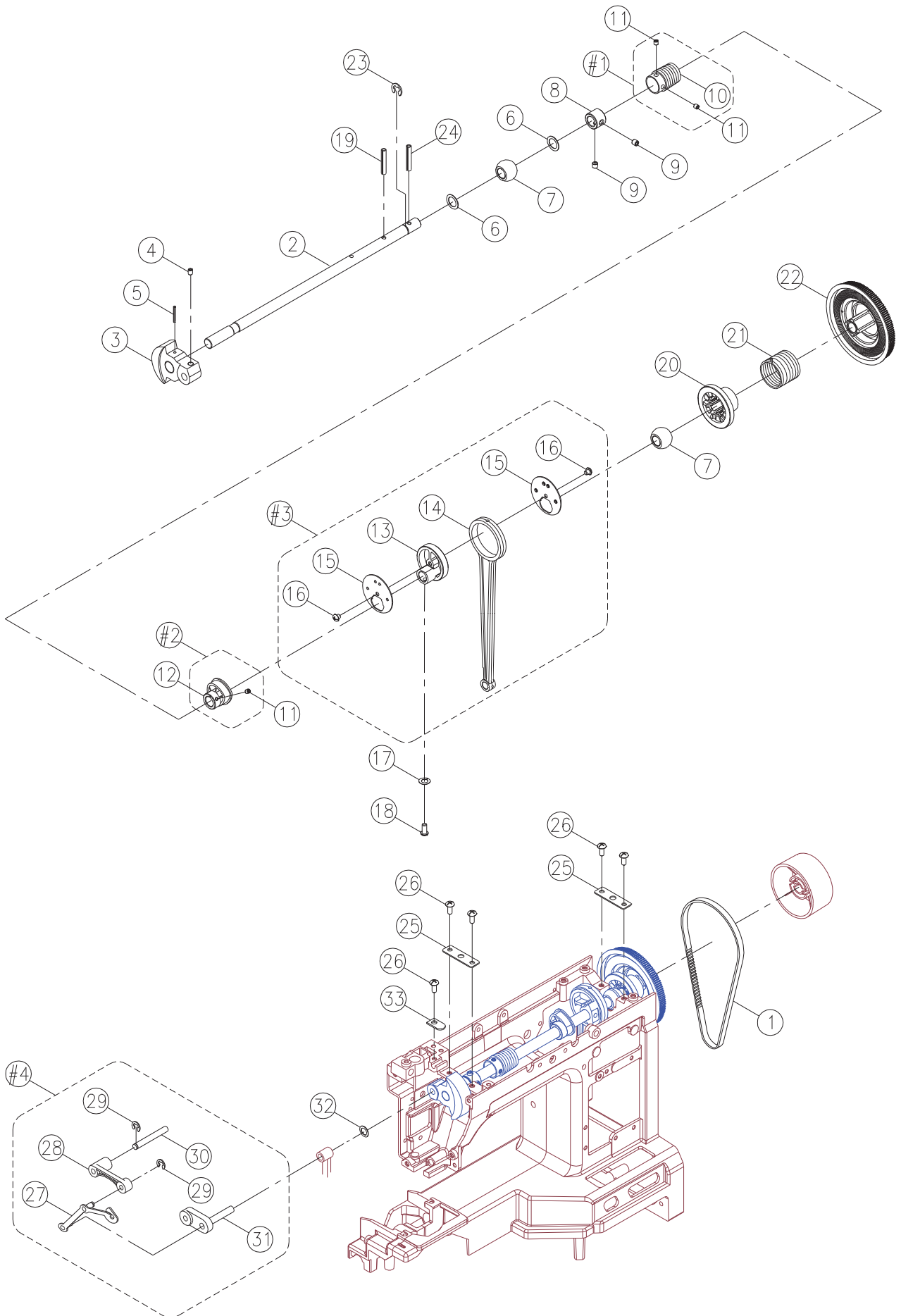
® A registered trademark of The Singer Company Ltd. or its affiliates.  
® *Una marca registrada de The Singer Company Ltd. o sus afiliados.*  
® *Une marca déposée de The Singer Company Ltd. ou ses filiales.*

# A



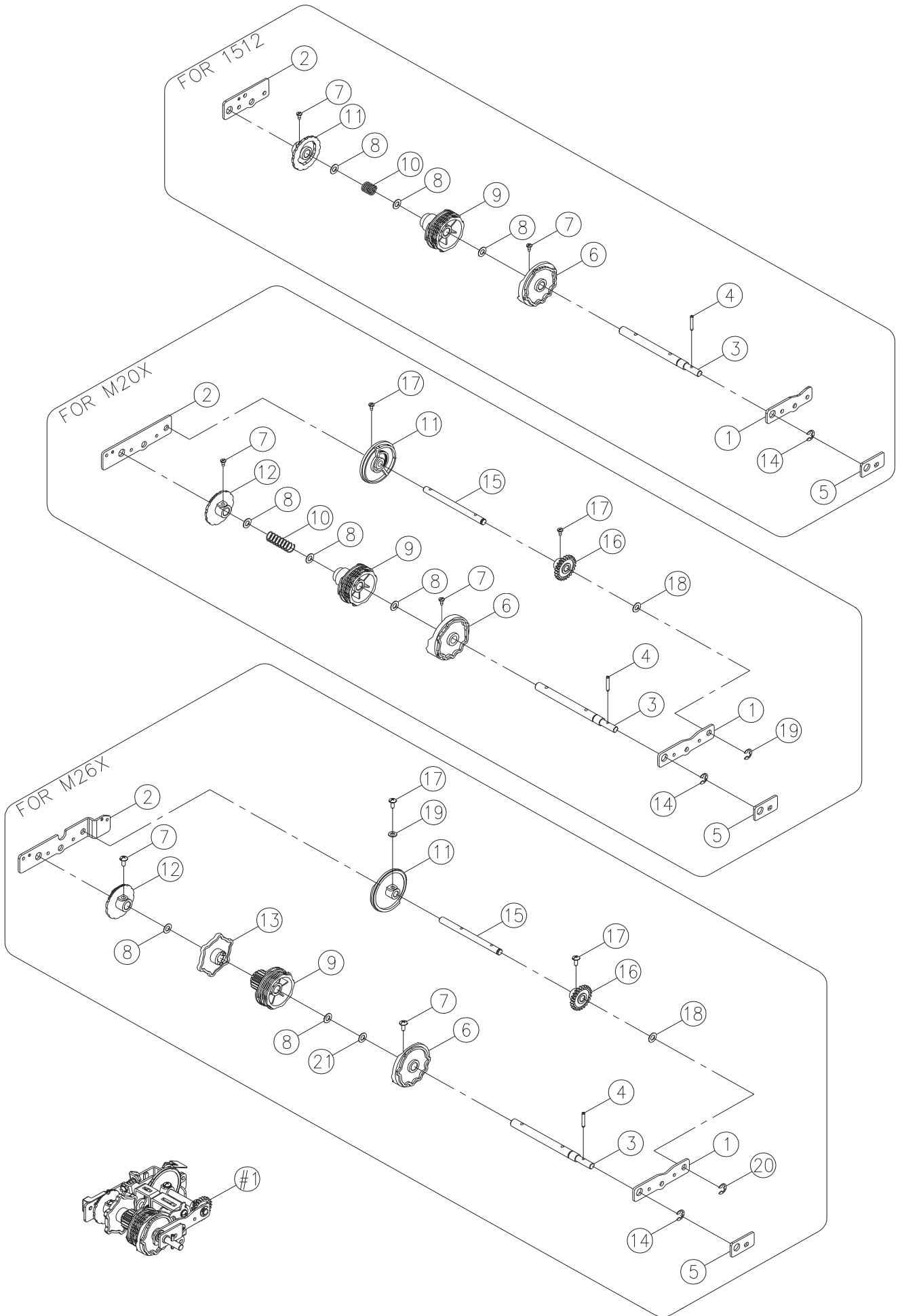
Pos	Part No.	Description
1	416772901	FRONT COVER
2	270 V61503210	PLATE(1)
3	416122201	SET SCREW (M4x10 B)
4	68003263	FREE ARM BASE CUSHION RUBBER
5	416773001	BACK COVER
6	416554101	BOBBIN WINDER STOPPER
7	416174001	SET SCREW (9/64x40x16 B)
8	416126301	NUT (9/64x40 t=3)
9	270 V61325000	BOBBIN WINDER THREAD GUIDE CPL.
10	416121501	SET SCREW (M4x8A)
11	416126501	NUT (6.8x7.8x3 M4x0.7)
12	416773101	GUIDE SPRING
13	416718201	SET SCREW (M3x5)
14	416681501	SET SCREW (M3x8.5)
15	416773201	HANDLE
16	270 H13093003	SET WASHER
17	416515001	SPOOL PIN PLATE
18	416123501	SET SCREW (M4x20 A)
19	416771801	REVERSE LEVER BUTTON
20	270 004240166	SET SCREW (M4x8 A)
21	416185401	SET SCREW (M4x10 A)
22	68013169	SET SCREW (M5x10 B)
23	416773401	FACE PLATE
24	412423701	THREAD CUTTER
25	416116701	CS-RING (CSTW-5)
26	416642201	FREE ARM BASE CUSHION RUBBER
27	68001182	SET SCREW (M4x15 A)
28	416773501	BED COVER
29	416421301	HOOK COVER SPRING
30	416773601	HOOK COVER
31	416773701	SEWING TABLE BODY
32	416773801	PATTERN SELECTOR DIAL
33	68016626	STITCH LENGTH DIAL
34	416515501	HAND WHEEL
35	270 V61893000	HAND WHEEL BALANCE LUMP
36	416498301	DIAL TENSION KNOB
37	416772401	DIAL TENSION SUPPORTER PLATE COVER

# B



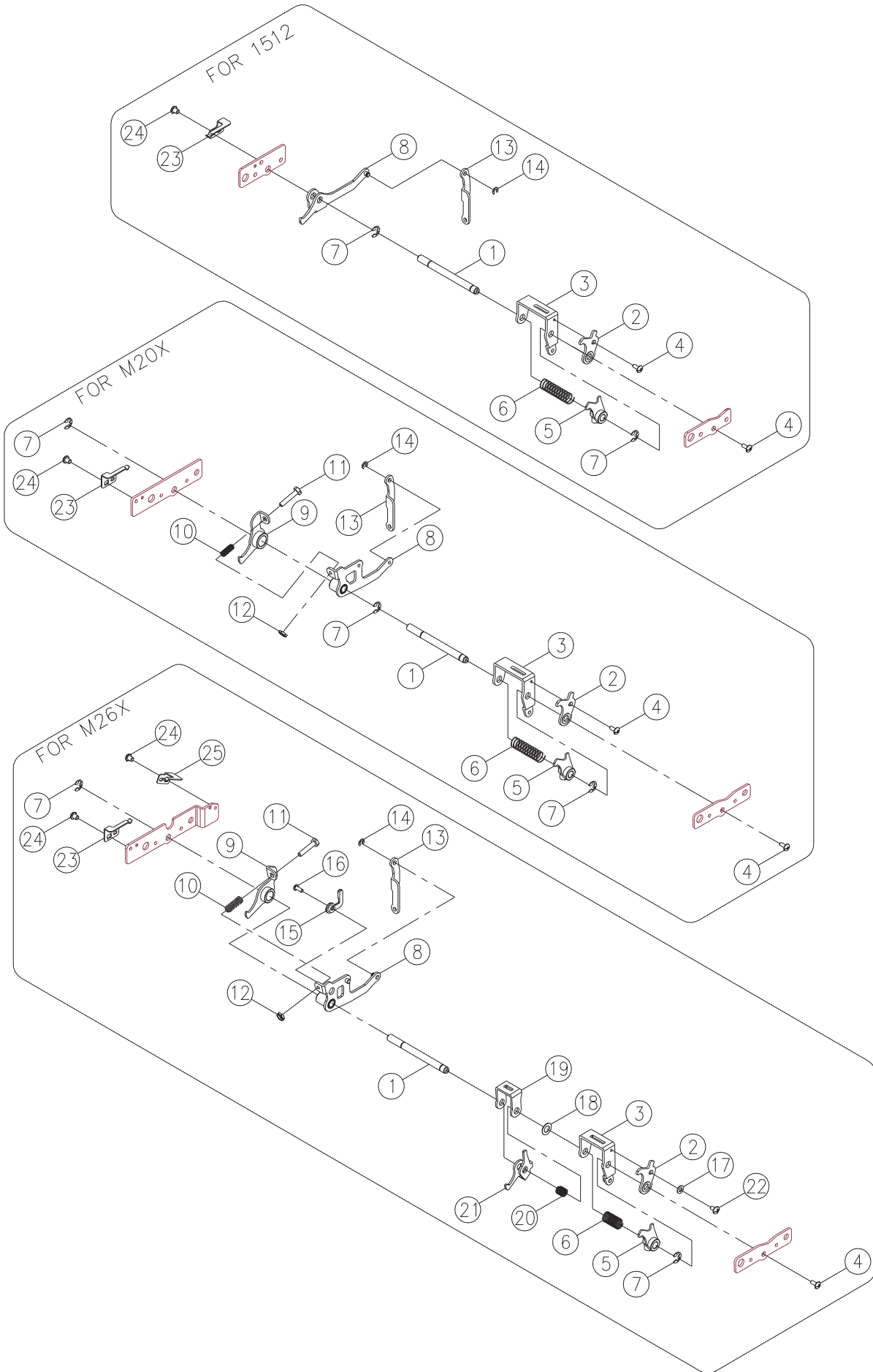
Pos	Part No.	Description
1	416515401	BELT
2	416516101	ARM SHAFT
3	270 V61473000	ARM SHAFT BALANCE
4	416122101	SET SCREW(M4x6 C)
5	416117701	PIN (3.5x24)
6	416125101	ENDURE ATTRITION WASHER (10.2x15x0.5)
7	416156301	ARM SHAFT BUSING
8	416765101	ARM SHAFT COLLAR
9	416121001	SET SCREW (M4x5 C)
10	416515201	ARM SHAFT WORM
11	416122401	SET SCREW (M4x4 C)
12	270 G4A0533000	FEED CAM
13	68013260	CRANK CONNECTING ROD CAM
14	68013260	CRANK CONNECTING ROD
15	68013260	CRANK CONNECTING ROD COVER
16	68013260	SET SCREW (M4x4 B)
17	416126101	WASHER (4.2x7.2x1.2)
18	416118601	SET SCREW (11/64x40x12)
19	416680401	SPRING PIN (3x28)
20	416307201	CLUTCH SLEEVE
21	270 D5A0573003	ARM SHAFT CLUTCH ANNULUS SPRING
22	416515301	ARM SHAFT DRIVER BELT PULLEY
23	270 003010083	E-RING (ETW-8)
24	416680701	SPRING PIN (3x30)
25	416161701	ARM SHAFT BUSHING HOLDER PLATE
26	416121501	SET SCREW (M4x8 A)
27	68016469	THREAD TAKE-UP LEVER CPL. (S)
28	68016470	THREAD TAKE UP LEVER SUPPORTER
29	416116101	E-RING (ETW-4)
30	416162201	THREAD TAKE UP LEVER SUPPORTER SHAFT
31	416158001	ARM SHAFT BALANCE PIN CPL.
32	416524701	ENDURE ATTRITION WASHER (6.2x12x0.25)
33	270 H13093003	SET WASHER
#1	416515601	ARM SHAFT WORM CPL.
#2	416150501	FEED CAM CPL.
#3	68013260	CRANK CONNECTING ROD CPL.
#4	68016470	THREAD TAKE UP LEVER CPL.

# C



Pos	Part No.	Description
1	416516201	PATTERN CAM CONTACT PLATE (FRONT)
2	416516401	PATTERN CAM CONTACT PLATE (BACK)
3	416516601	PATTERN SELECTOR CAM SHAFT
4	416183901	SPRING PIN (2.5x16)
5	416519601	PATTERN SELECTOR CAM SHAFT PLATE
6	416516801	PATTERN SELECTOR CAM
7	270 004235016	SET SCREW (M3.5x8 A)
8	416186501	WASHER (8.2x12x0.5)
9	416517001	PATTERN CAM
10	270 V60673003	PATTERN CAM SPRING
11	416518501	FEED REGULATOR CAM
12		
13		
14	416116401	E-RING (ETW-6)
15		
16		
17	416518401	SET SCREW (M3x8 A)
18		
19		
20		
21		
#1	68016628	PATTERN CAM CONTACT CPL.

# D

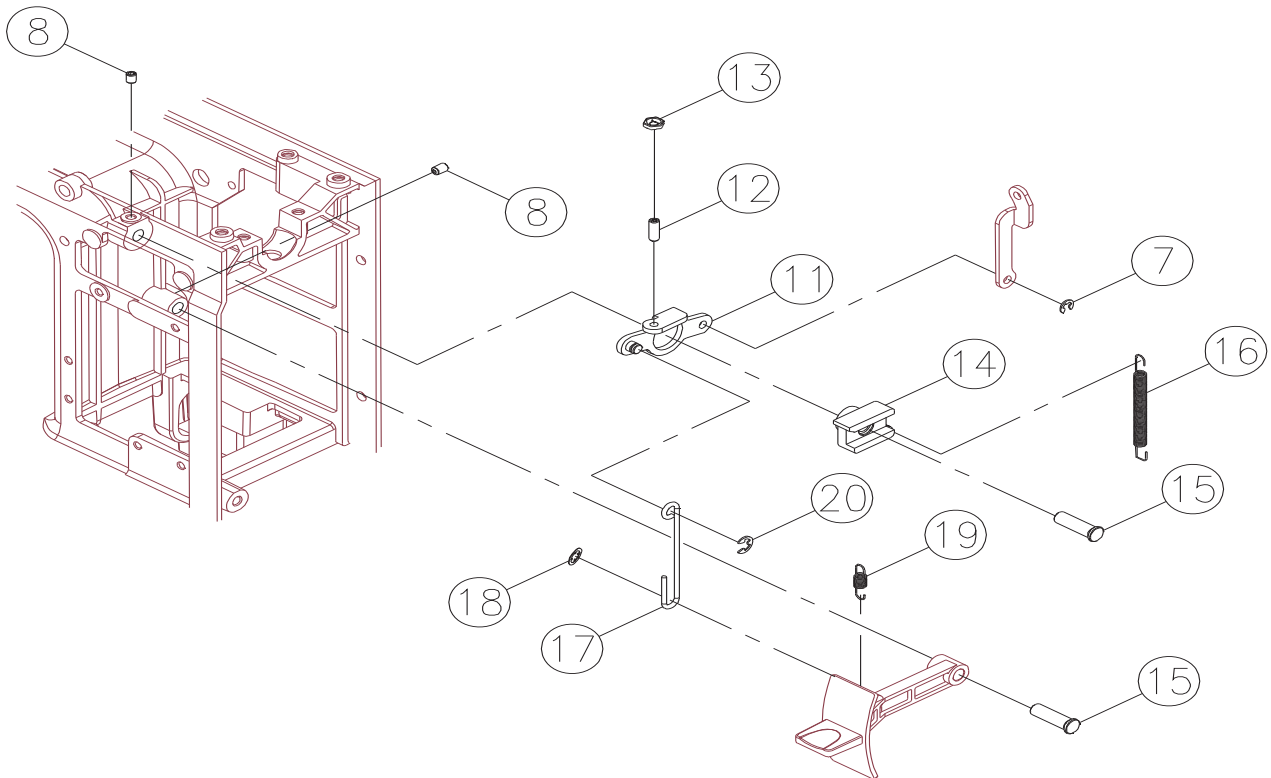
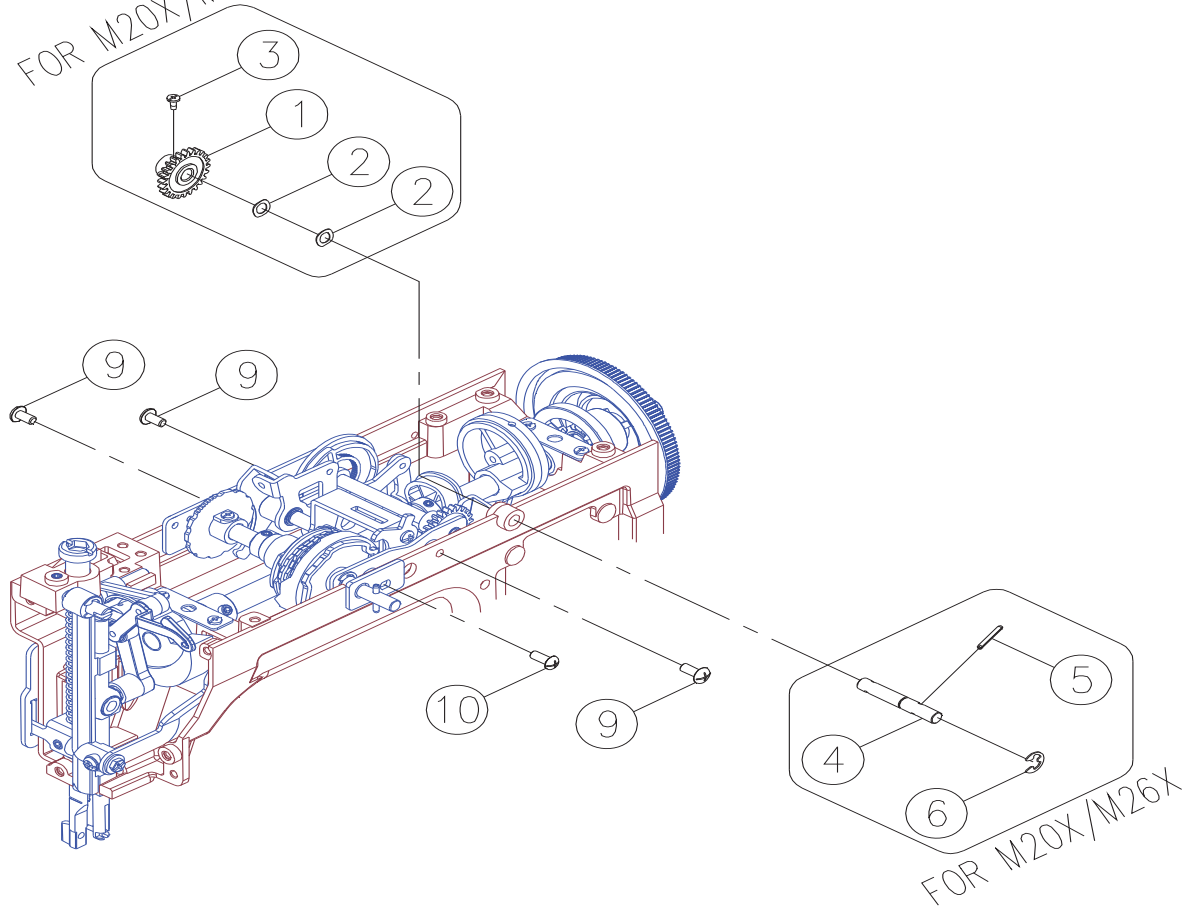




Pos	Part No.	Description
1	416517201	CONTACT SUPPORTER SHAFT
2	416517401	ZIGZAG RELEASE PLATE
3	416517501	ZIGZAG CAM CONTACT SUPPORTER
4	416518401	SET SCREW (M3x8 A)
5	416517701	ZIGZAG CAM CONTACT
6	416517801	ZIGZAG CAM CONTACT SPRING
7	416183801	E-RING (ETW-5)
8	416517901	FEED CRANK
9		
10		
11		
12		
13	416518701	FEED ROD
14	416116001	E-RING (ETW-3)
15		
16		
17		
18		
19		
20		
21		
22		
23	416518801	PATTERN FIX SPRING PLATE
24	416226601	SET SCREW (M4x5 B)
25		

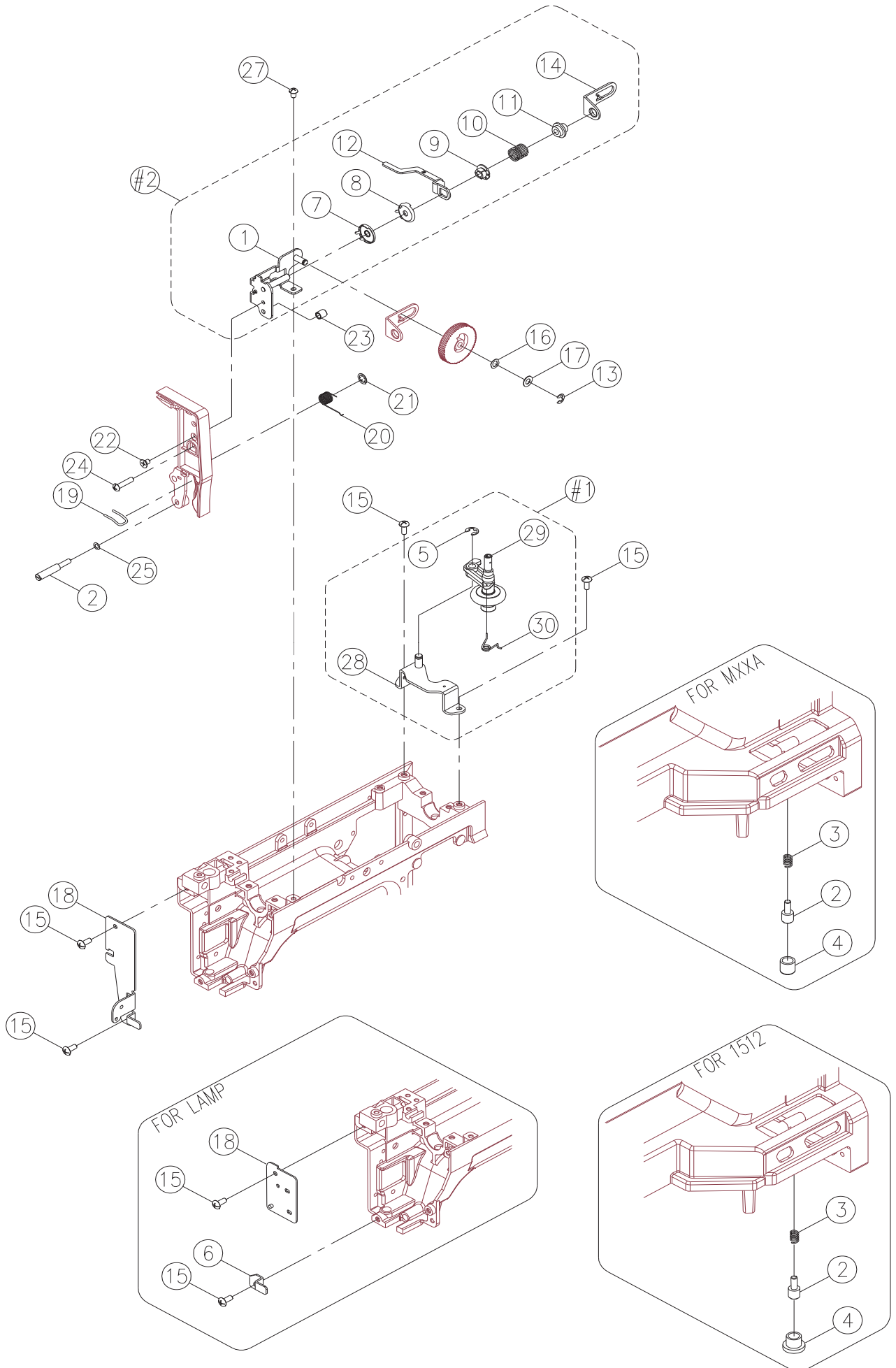
# E

FOR M20X/M26X



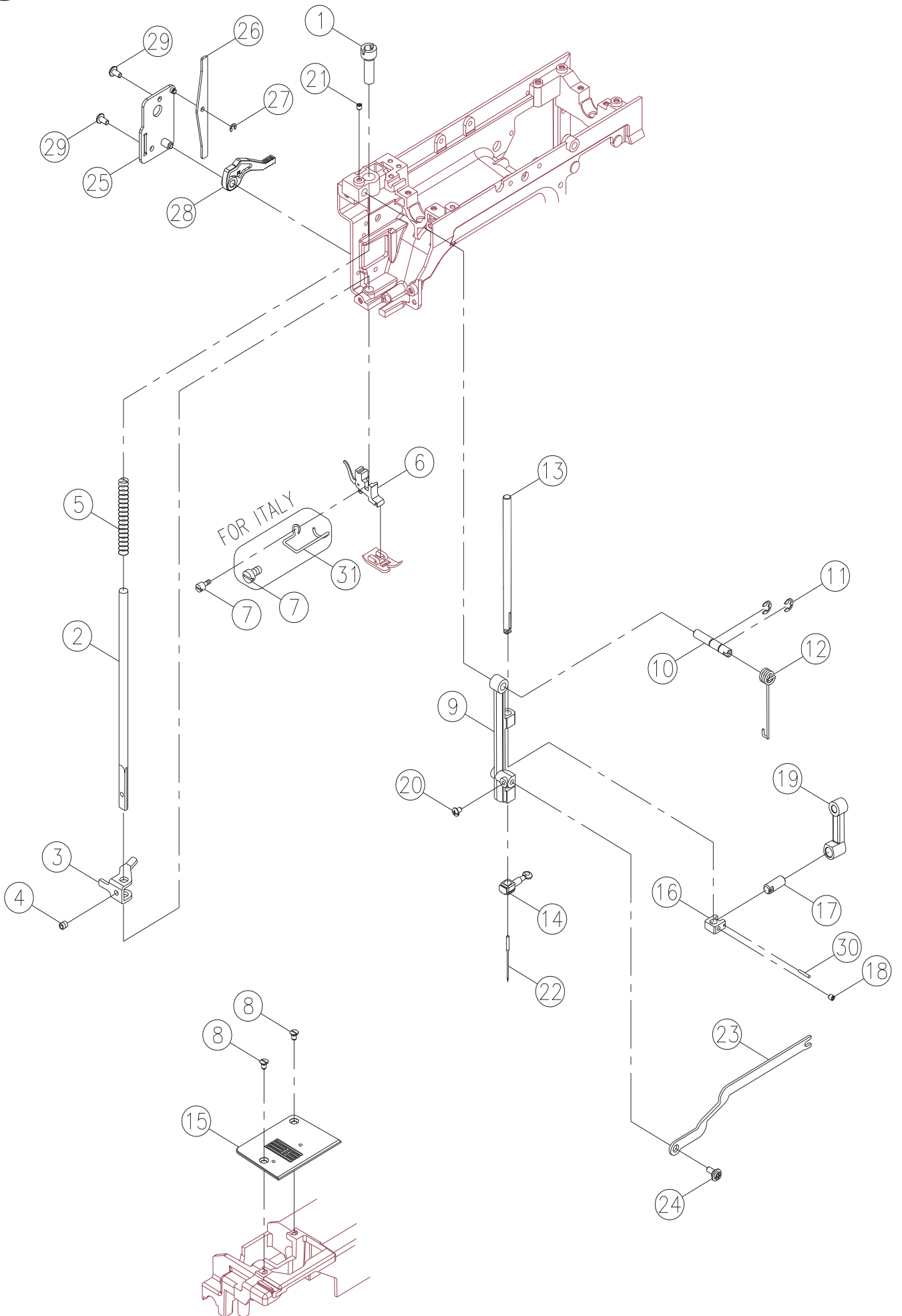
Pos	Part No.	Description
1		
2		
3		
4		
5		
6		
7	416116001	E-RING (ETW-3)
8	416122101	SET SCREW (M4x6 C)
9	416121501	SET SCREW (M4x8 A)
10	416121101	SET SCREW (M4x10 B)
11	416519201	FEED REGULATING PLATE CPL.
12	416122701	SET SCREW (M4x12)
13		
14	416519101	FEED REGULATING
15	270 V60443000	FEED REGULATING SHAFT
16	270 V70063003	FEED REGULATING SPRING
17	416519401	REVERSE ROD
18	416225801	CS-RING (CSTW-4)
19	416155001	AUTO THREADER LEVER SPRING
20	416116201	E-RING (ETW-4)

# F



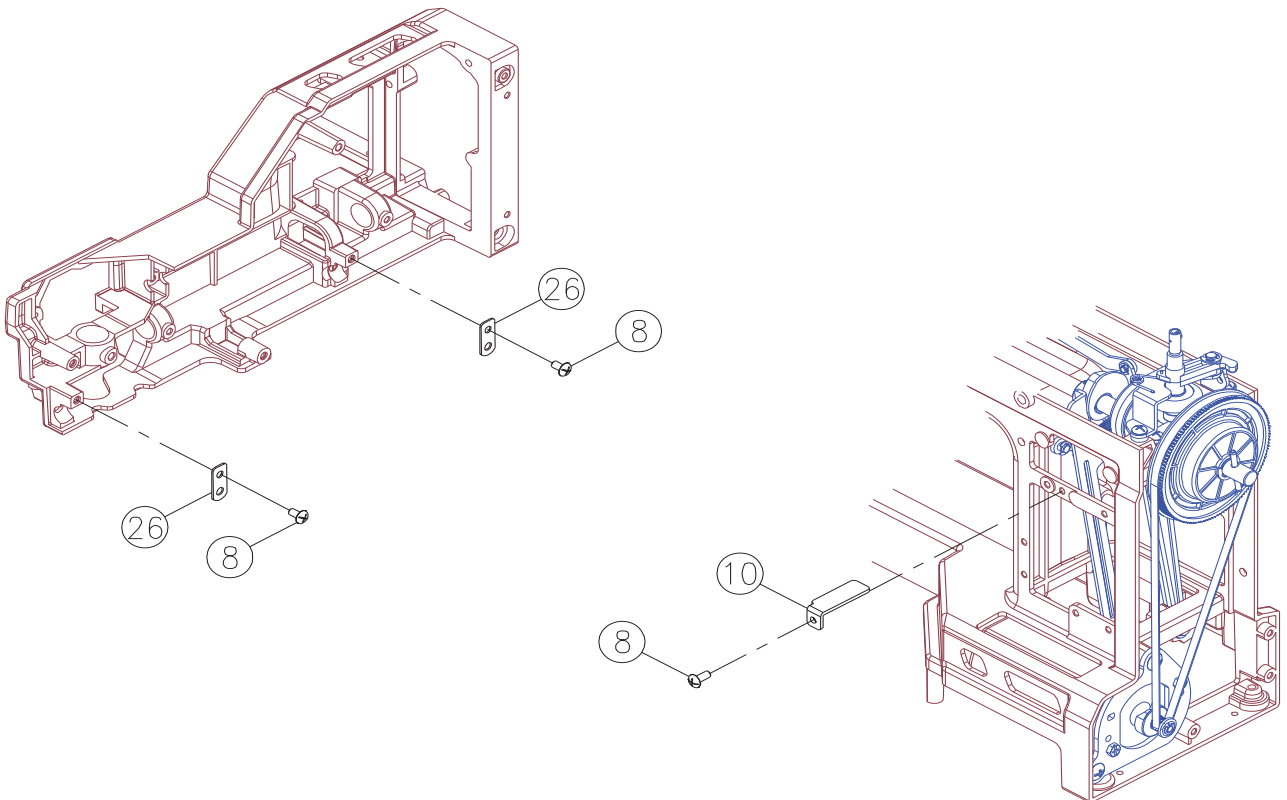
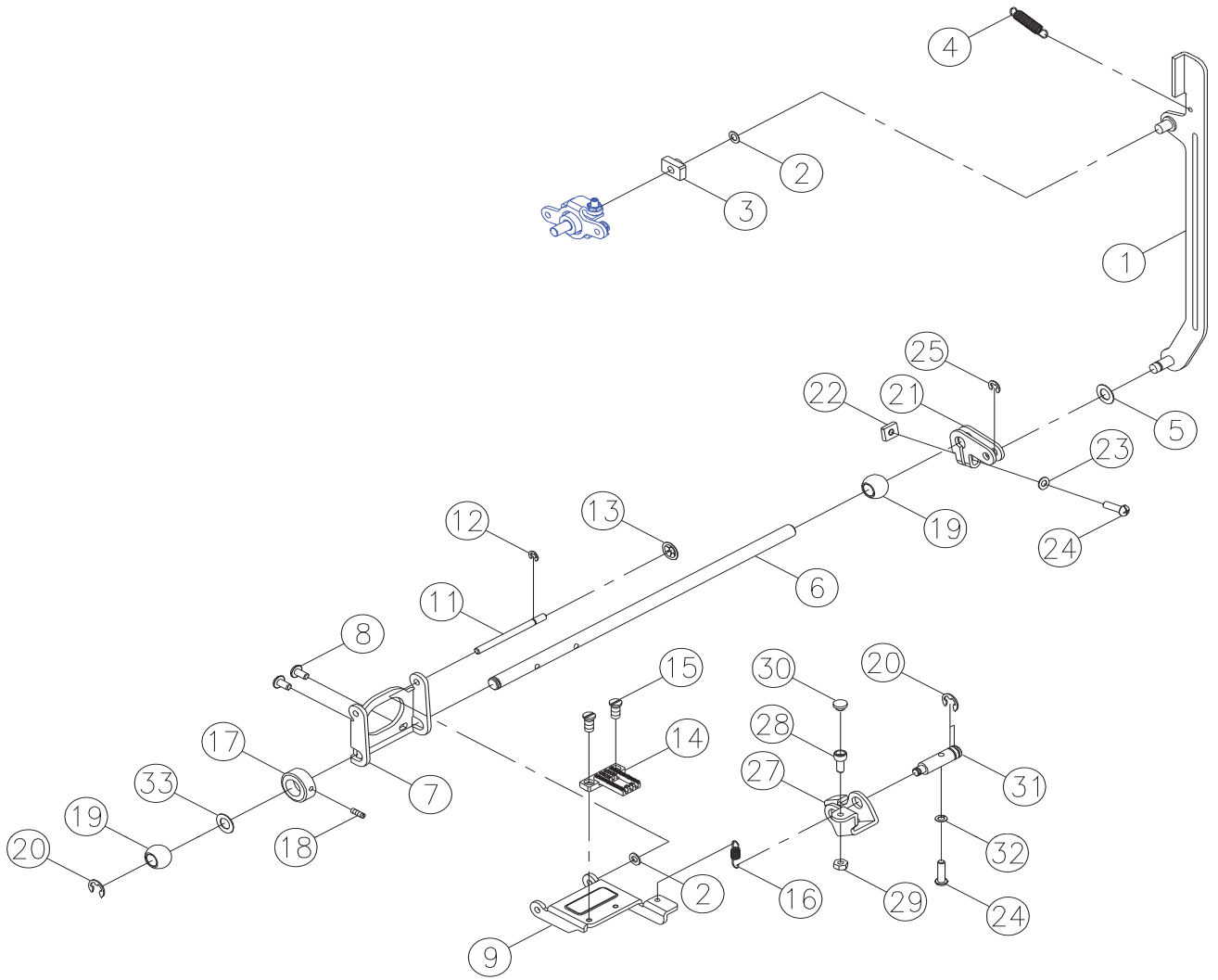
Pos	Part No.	Description
1	416735001	DIAL TENSION SUPPORTER PLATE CPL.
2	416154601	BASE PLATE ADJUSTMENT SCREW
3	416154401	BASE PLATE ADJUSTMENT SCREW SPRING
4	416526001	FREE ARM BASE CUSHION RUBBER
5	416116301	E-RING (ETW-5)
6		
7	416153601	DIAL TENSION DISC (1)
8	416146301	DIAL TENSION DISC
9	416526801	DIAL TENSION SPRING REGULATOR
10	416772201	DIAL TENSION SPRING
11	416153801	DIAL TENSION REGULATOR
12	416772101	DIAL TENSION WAFT PLATE
13	416116101	E-RING (ETW-4)
14	416162501	DIAL TENSION SPRING PLATE
15	416121501	SET SCREW (M4x8 A)
16	416126001	WASHER (WW-5)
17	416124501	WASHER (5.2x10x0.5)
18	68016480	LAMP BRACKET
19	416198701	THREAD GUIDE
20	416162601	THREAD GUIDE SPRING
21	416116701	CS-RING (CSTW-5)
22	416121901	SET SCREW (M4x6 D)
23	416151701	DIAL TENSION GUIDE SPRING TUBE
24	416121701	SET SCREW (M4x15 B)
25	416124101	WASHER (4.2x8x0.8)
26	416123001	SET SCREW (M4x14 L=37)
27	416121201	SET SCREW (M4x6 B)
28	416772601	BOBBIN WINDER FRAME CPL.
29	416772601	BOBBIN WINDER CRANK CPL.
30	270 K6A0573003	BOBBIN WINDER CRANK SPRING
#1	416772601	BOBBIN WINDER CPL.
#2	68013266	DIAL TENSION SUPPORTER PLATE CPL.

# G



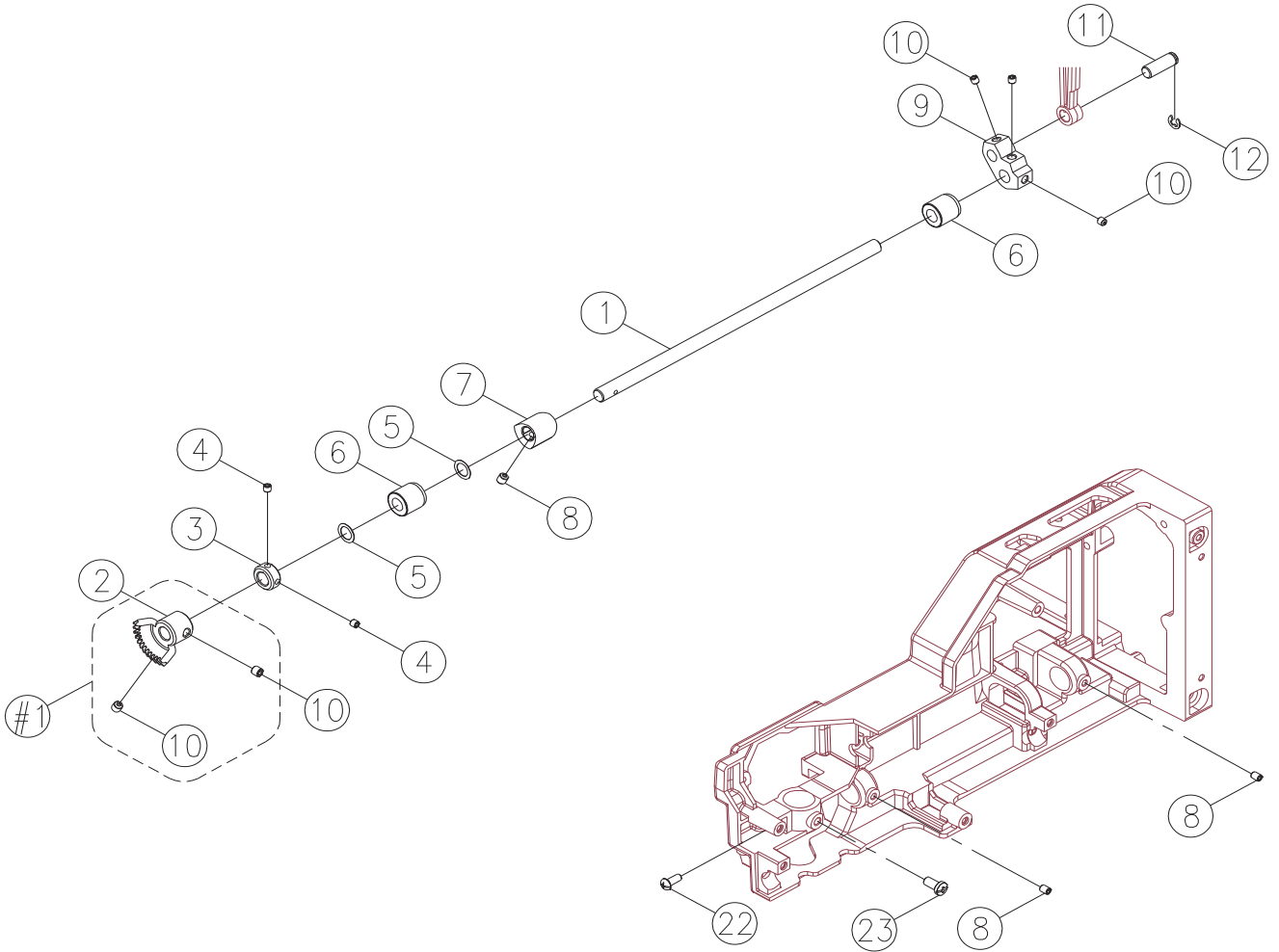
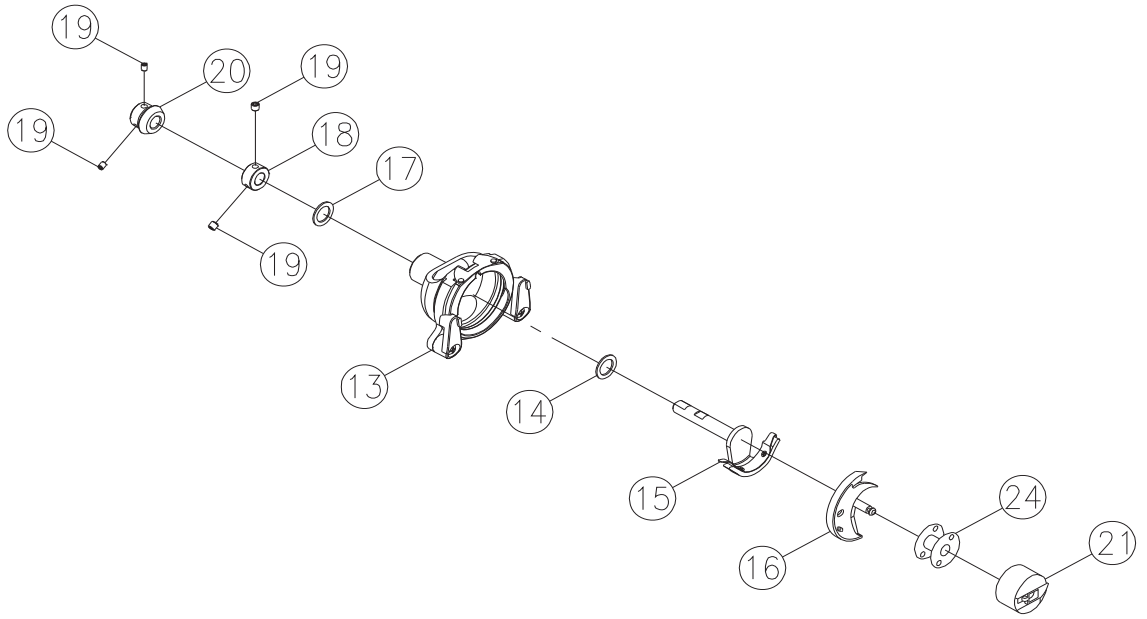
Pos	Part No.	Description
1	68013226	PRESSER BAR REGULATING SCREW
2	416173401	PRESSER BAR
3	68013267	PRESSER BAR BRACKET
4	416122101	SET SCREW (M4x6 C)
5	416146901	PRESSER BAR SPRING
6	416128201	SHANK CPL.
7	416118401	SHANK SCREW (9/64x40x8)
8	416122901	NEEDLE PLATE CPL. SET SCREW
9	270 V61973002	NEEDLE BAR SUPPORTER
10	416515801	NEEDLE BAR SUPPORTER PIN
11	416116301	E-RING (ETW-5)
12	416515901	NEEDLE BAR SUPPORTER SPRING
13	416173601	NEEDLE BAR
14	416245301	NEEDLE CLAMP CPL.
15	416171501	NEEDLE PLATE
16	416638901	NEEDLE BAR BRACKET (1)
17	416638901	NEEDLE BAR BRACKET (2)
18	416122401	SET SCREW (M4x4 C)
19	416639101	NEEDLE BAR CRANK ROD
20	270 004106202	SET SCREW (9/64x40x7 A)
21	416121001	SET SCREW (M4x5 C)
22		NEEDLE (14/90)
23	416516001	NEEDLE BAR DRIVING ROD
24	416801101	NEEDLE BAR DRIVING ROD PIN
25	68013272	CLAMP PLATE
26	68013273	TENSION LEVER LIFTER
27	416116001	E-RING (ETW-3)
28	416771601	PRESSER BAR LIFTER LEVER
29	416121501	SET SCREW (M4x8 A)
30	416572001	PIN (2x12)
31		

# H



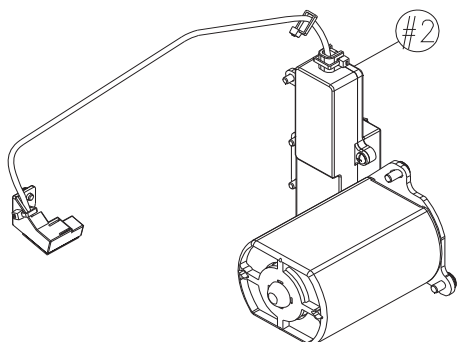
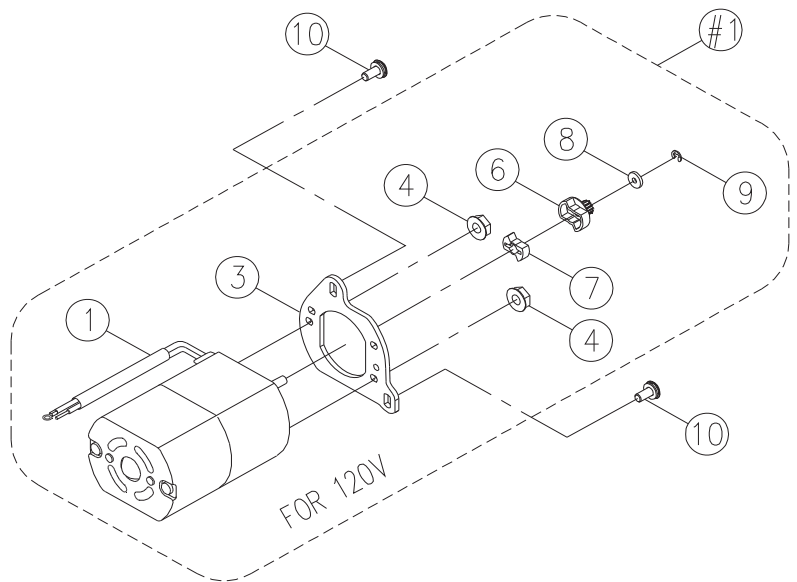
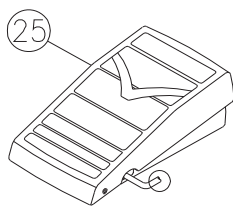
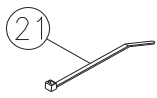
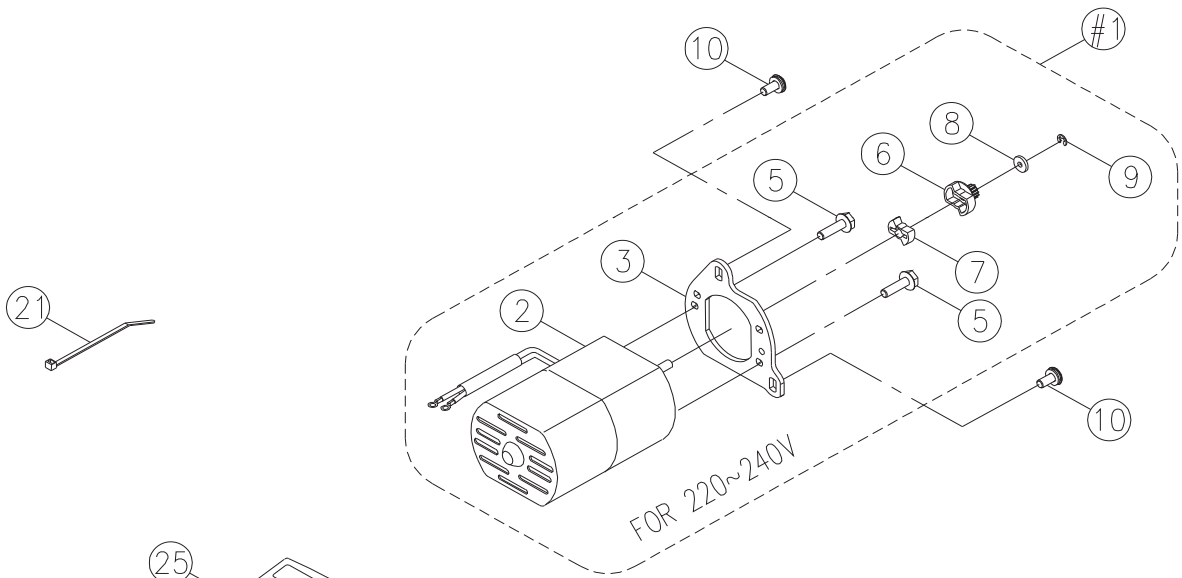
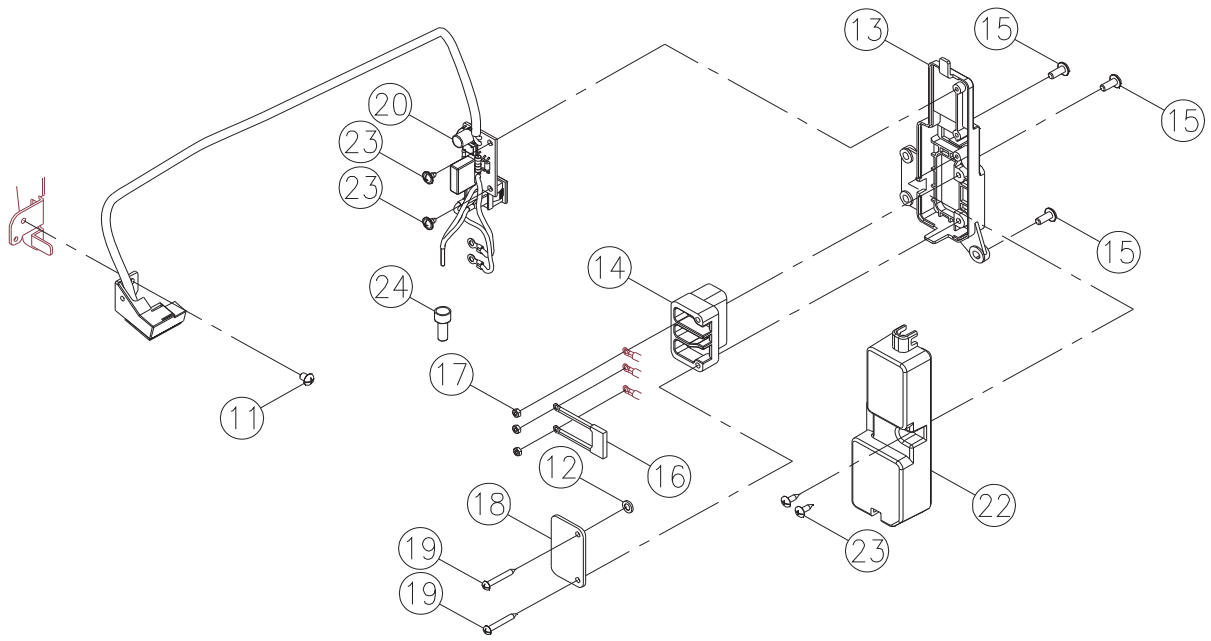


Pos	Part No.	Description
1	270 V60453003	FORK ROD
2	416125201	ENDURE ATTRITION WASHER (5.7x10.2x0.5)
3	416158601	FEED REGULATING BLOCK
4	416795201	FORK ROD SPRING
5	416125501	ENDURE ATTRITION WASHER (5.5x12x0.25)
6	416520501	FEED ROCK SHAFT
7	270 V60493003	FEED ROCK FRAME
8	416121501	SET SCREW (M4x8 A)
9	270 V60503003	FEED DOG FRAME
10	68013274	FORK ROD STOPPTER
11	416164201	FEED DOG FRAME SHAFT
12	416116001	E-RING (ETW-3)
13	270 003090043	NUT (SPN-4)
14	416171601	FEED DOG
15	270 004230056	SET SCREW (M3x5 B)
16	270 V60533003	FEED DOG FRAME SPRING
17	416151801	PATTERN CAM SHAFT COLLAR
18	416122401	SET SCREW (M4x4 C)
19	270 V60343000	FEED ROCK BUSHING
20	416116401	E-RING (ETW-6)
21	270 V60553003	FEED ROCK CRANK
22	270 004840073	FEED ROCK CRANK NUT (M4)
23	416124101	WASHER (4.2x8x0.8)
24	416121701	SET SCREW (M4x15 B)
25	416116101	E-RING (ETW-4)
26	270 V60563003	BUSHING HOLDER PLATE
27	270 V60583003	FEED LIFTING ROCK CRANK
28	270 004250323	SEW SCREW
29	416126501	NUT (M4 t=3)
30	416154301	SEW SCREW KNOB
31	270 V60583003	FEED LIFTING ROCK SHAFT
32	416126101	WASHER (4.2x7.2x1.2)
33	270 004400410	ENDURE ATTRITION WASHER (8.2x12x0.25)



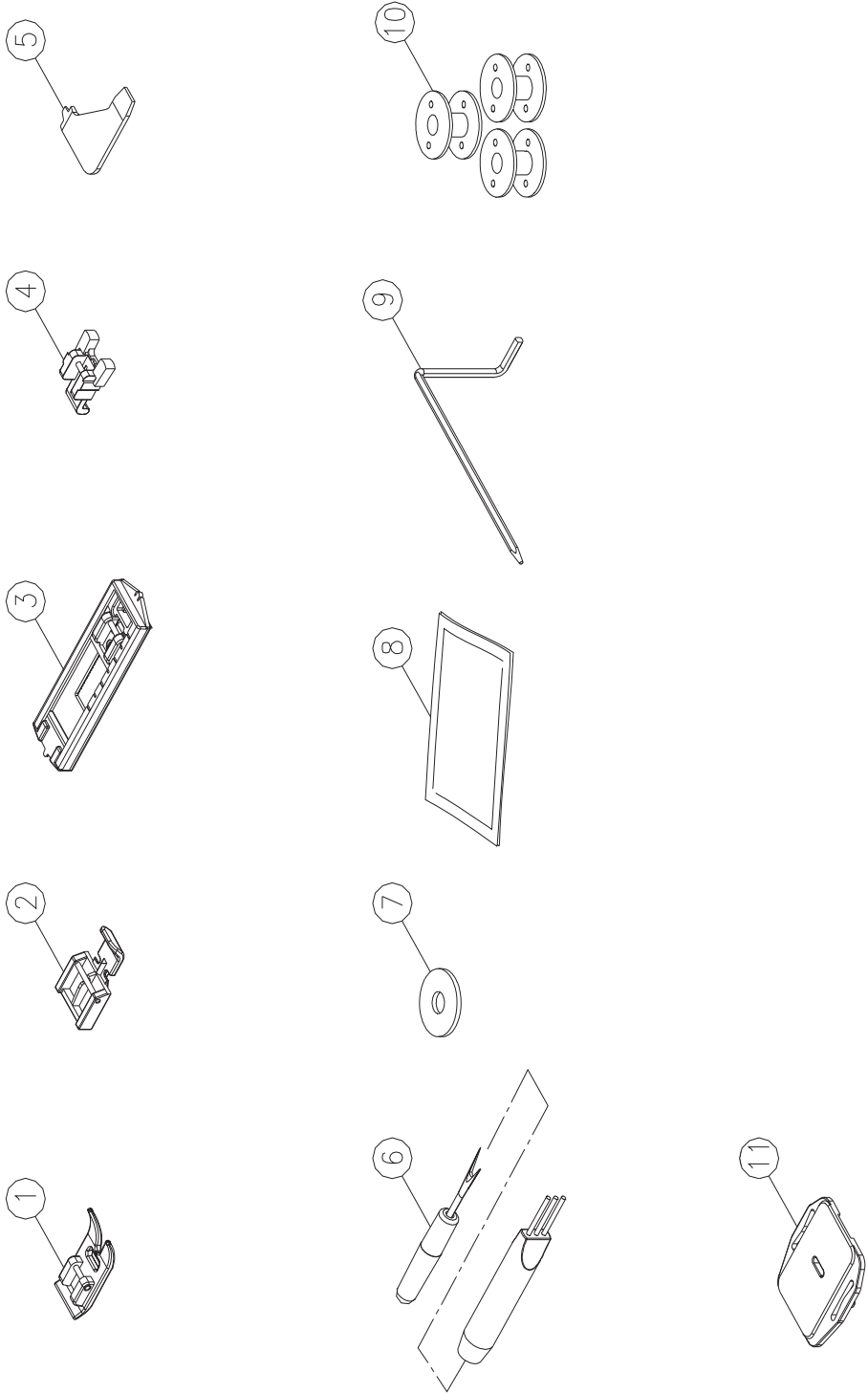
Pos	Part No.	Description
1	416527801	LOWER SHAFT
2	270 G4A1573000	LOWER SHAFT GEAR
3	416158801	LOWER SHAFT COLLAR
4	416122401	SET SCREW(M4x4 C)
5	270 004400410	ENDURE ATTRITION WASHER (8.2x12x0.25)
6	416141701	FEED ROCK BUSHING
7	270 V6E1123000	FEED LIFTING ROCK CAM
8	416122101	SET SCREW (M4x6 C)
9	270 V60354000	CRANK CONNECTING ROD CRANK
10	270 004250203	SET SCREW (M5x5 C)
11	270 V10833003	CRANK CONNECTING ROD CRANK PIN
12	416116301	E-RING (ETW-5)
13	68000176	OPEN SHUTTLE RACE CPL.
14	416125701	ENDURE ATTRITION WASHER (7.6x12x0.13)
15	68000174	SHUTTLE DRIVER CPL.
16	416392101	SHUTTLE HOOK
17	416125301	ENDURE ATTRITION WASHER (8.2x16x0.5)
18	416153101	SHUTTLE DRIVER SHAFT COLLAR
19	270 004107293	SET SCREW (11/64x40x4)
20	270 G4A1583000	SHUTTLE DRIVER SHAFT GEAR
21	416153401	BOBBIN CASE CPL.
22	416121101	SET SCREW (M4x10 B)
23	68013169	SET SCREW (M5x10 B)
24	68000175	BOBBIN
#1	416245801	LOWER SHAFT GEAR CPL.

J



Pos	Part No.	Description
1	68003572	MOTOR
2		
3	68016482	MOTOR BRACKET
4		
5	416521501	SET SCREW (M4x10.2)
6	416428701	BELT WHEEL
7	416129401	CUSHION RUBBER
8	416114501	MOTOR FEED REGULATOR COLLAR
9	416116001	E-RING(ETW-3)
10	68013176	SET SCREW WASTER CPL. (M5x12)
11	416121201	SET SCREW (M4x6 B)
12	68013231	WASHER
13	68016483	RECEPTACLE HOLDER
14	416184701	RECEPTACLE
15	416121501	SET SCREW (M4x8 A)
16		
17	270 004840120	NUT (M3x4)
18	416183601	CONCERT INSULATION PLATE
19	68001407	SET SCREW (M3x22 B)
20	68006122	LED HOLDER CPL.
21	416113901	CORD CLIP
22		
23	416681501	SET SCREW (M3x8.5)
24	416133001	END TERMED
25	68016629	FOOT CONTROLLER BAG CPL.
#1	68016631	MOTOR CPL.
#2	68016632	MOTOR ELECTRIC WIRE CPL.

# K



Pos	Part No.	Description
1	416128401	ALL PURPOSE FOOT
2	416128701	ZIPPER FOOT (I)
3	416128901	BUTTONHOLE FOOT (B)
4	416284501	BUTTON SEWING FOOT
5	68000177	L-SCREWDRIVER
6	416127701	SEAM RIPPER/ BRUSH
7	416127301	SPOOL PIN FELT
8		NEEDLE
9	416127101	SEAM GUIDE
10	68000175	BOBBIN
11	416127901	FELT PAD