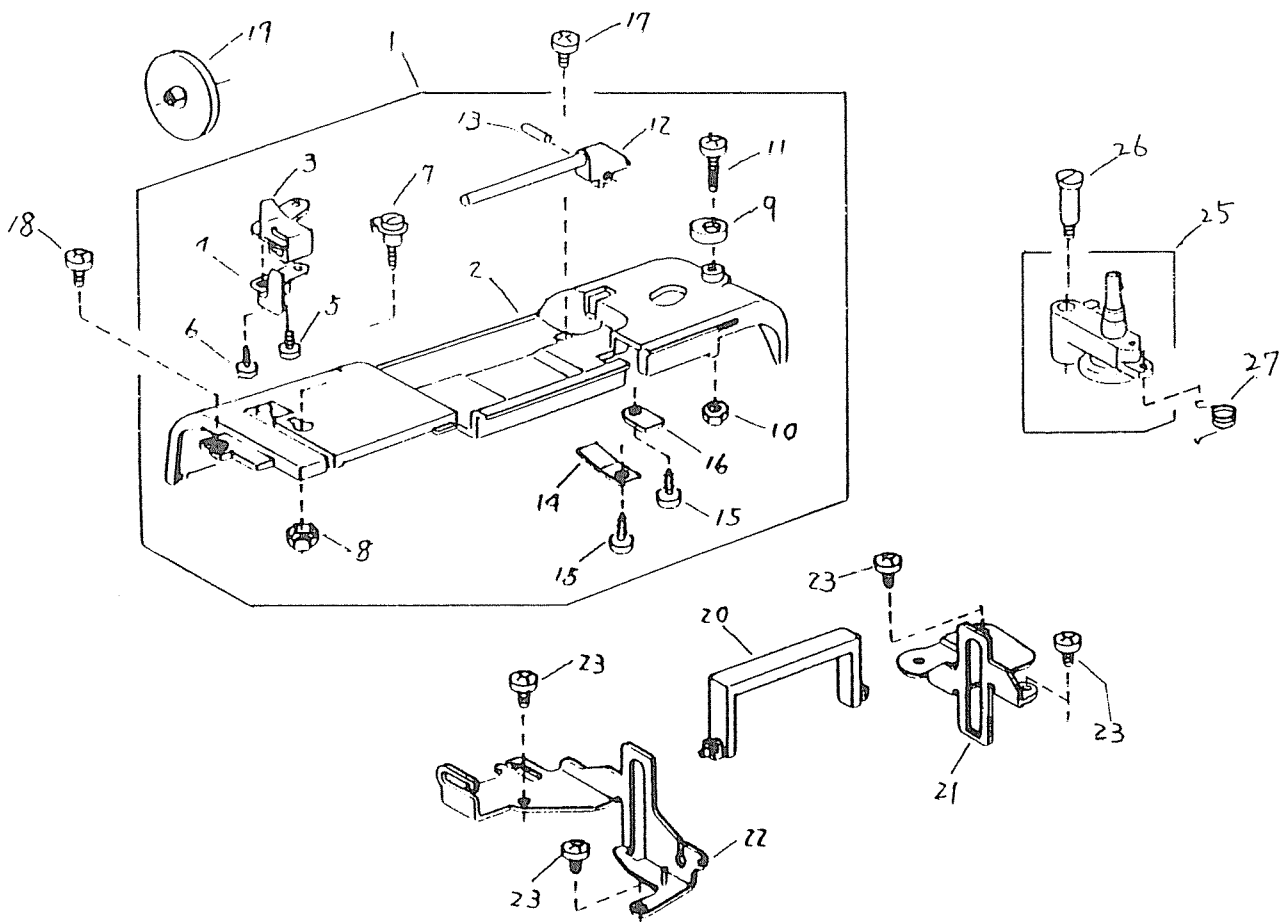
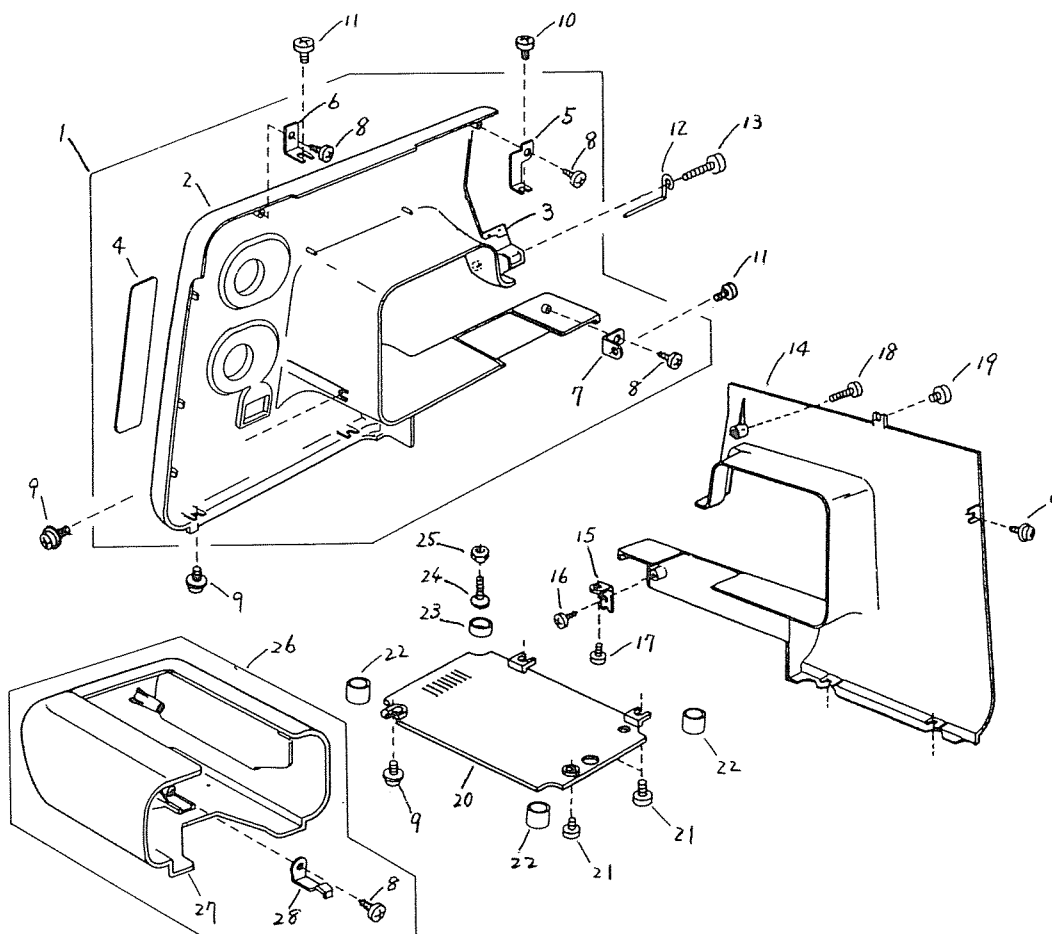


PARTS LIST

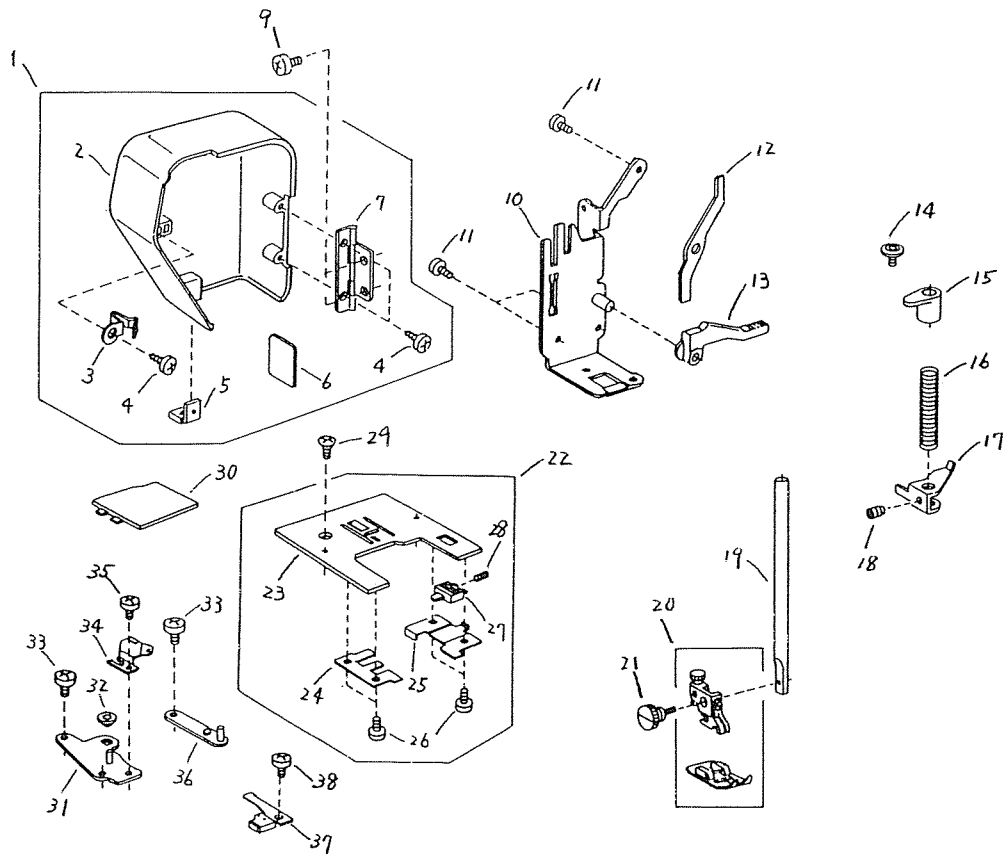
MyExcel 4014



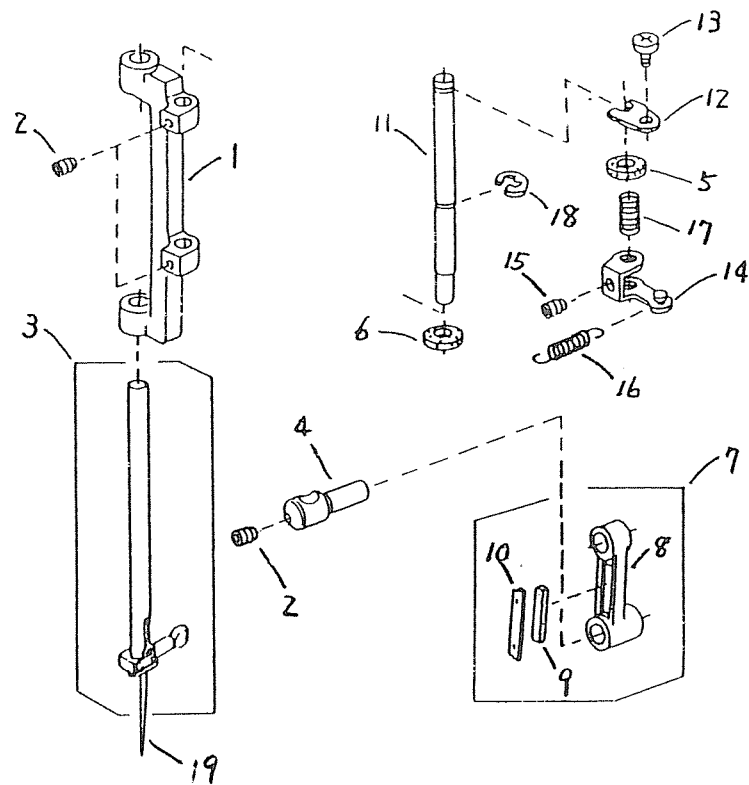
No.	Part No.	Part Name	No.	Part No.	Part Name
1	751604102	Top cover (unit)	24		
2	751011106	Top cover	25	652506000	Bobbin winder (unit)
3	653022000	Top cover thread guide	26	652093009	Setscrew
4	751092008	Pre-tension spring	27	823119008	Bobbin winder arm spring
5	820374004	Setscrew 2 x 2.3			
6	000107905	Tapping screw 3 x 6 (B)			
7	730501011	Thread guide (unit)			
8	000160102	Adjustable lock nut 4			
9	735016307	Bobbin winder stopper			
10	000061205	Hexagon nut 4-3			
11	000101828	Setscrew 4 x 16			
12	724206106	Spool pin			
13	822017002	Pin			
14	724207004	Spring			
15	000120203	Tapping screw 3 x 8 (B)			
16	653075008	Presser foot			
17	000101426	Setscrew 4 x 6			
18	810220003	Setscrew			
19	822020503	Spool holder (large)			
20	751100000	Handle			
21	751076110	Handle supporter (right)			
22	751077018	Handle supporter (left)			
23	000081005	Setscrew 4 x 8			



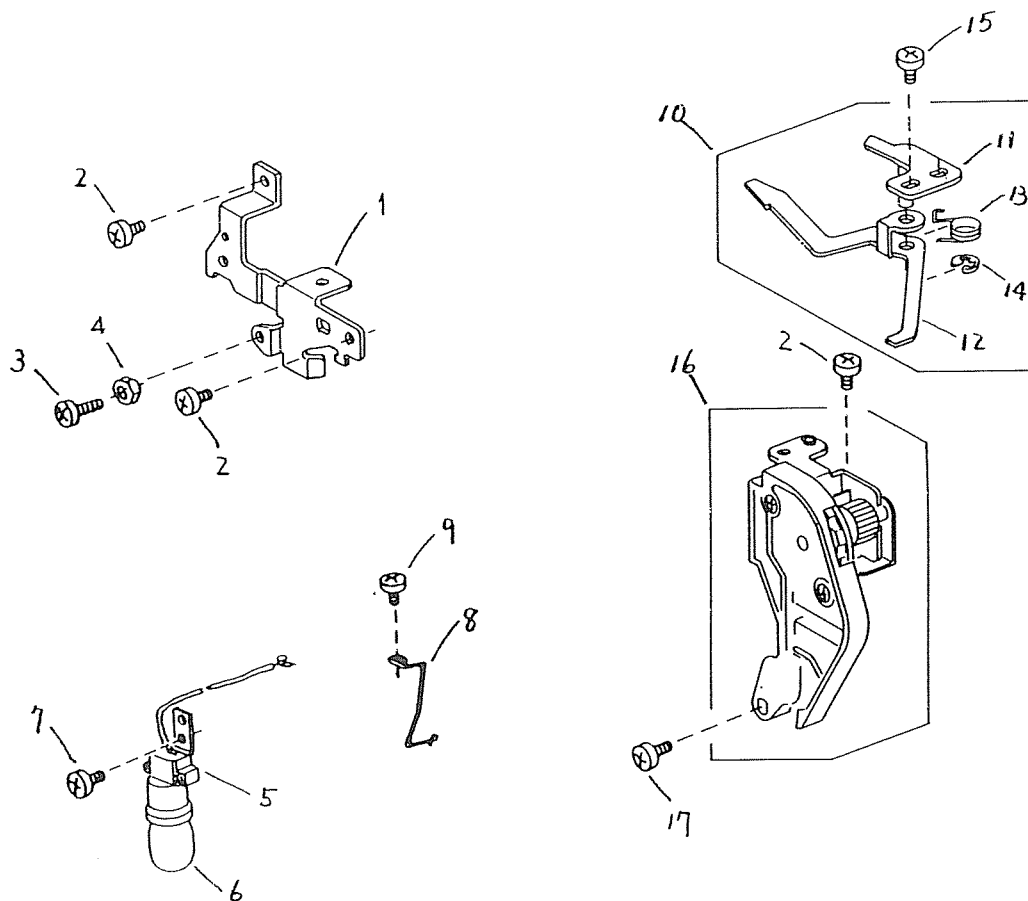
No.	Part No.	Part Name	No.	Part No.	Part Name
1	751670006	Front cover (unit)	24	000192103	Setscrew 5 x 25
2	751184307	Front cover	25	000061412	Hexagon nut
3	753125007	Thread protecting plate	26	751602007	Extension table (unit)
4	751199006	Fancy plate	27	751501005	Extension table (unit)
5	751185009	Front cover retaining plate (front)	28	751096002	Extension table spring
6	751080003	Front cover retaining plate (rear)			
7	827069004	Front cover retaining plate (lower)			
8	000120203	Tapping screw 3 x 8 (B)			
9	000115607	TP screw 4 x 8			
10	000103808	Setscrew 3 x 5			
11	000101404	Setscrew 4 x 6			
12	753126008	Arm thread guide			
13	000093608	Setscrew 3.5 x 30			
14	751005107	Rear cover			
15	827006003	Rear cover retaining plate			
16	000161103	Tapping screw 3 x 6 (B)			
17	000081119	Setscrew 4 x 6			
18	000104119	Setscrew 4 x 20			
19	810220003	Setscrew			
20	751003002	Base			
21	000103509	Setscrew 4 x 10			
22	647009002	Bed rubber seat			
23	735002001	Rubber seat			



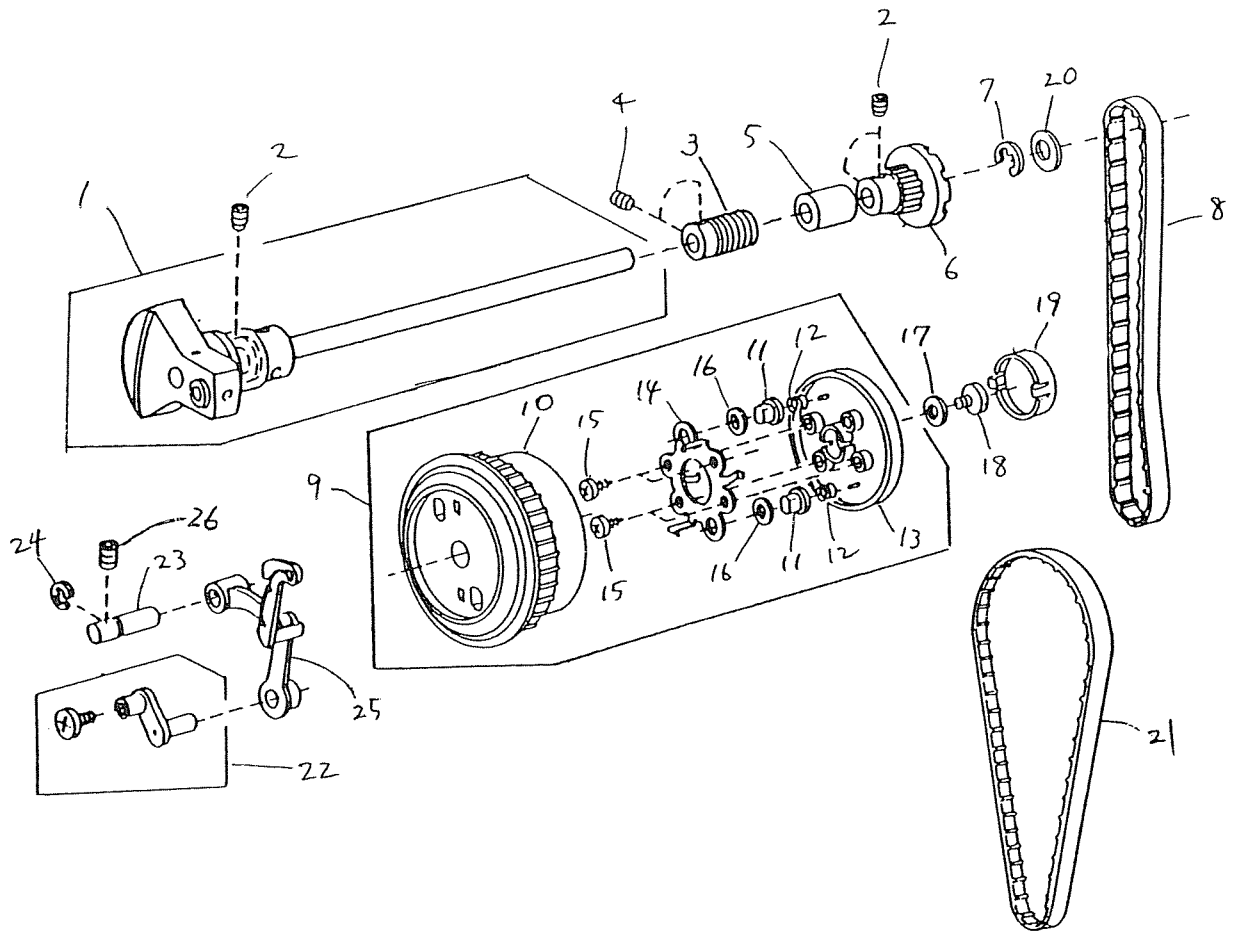
No.	Part No.	Part Name	No.	Part No.	Part Name
1	751658008	Face plate (unit)	24	825014008	Slide plate holder (left)
2	751012004	Face plate	25	825015010	Slide plate holder (right)
3	650025004	Face plate spring	26	820374004	Setscrew 2 x 2.3
4	000076317	Setscrew 3 x 10	27	825016000	Slide plate holder piece
5	822532008	Thread cutter (unit)	28	825017001	Square plate holder piece spring
6	724025006	Face plate reflecting plate (2)	29	820390109	Needle plate setscrew
7	366501009	Face plate hinge (unit)	30	750036001	Slide plate
8			31	751008007	Needle plate adjusting plate (left)
9	000081119	Setscrew 4 x 6	32	822314002	Nut
10	827020014	Presser bar mechanism	33	000066705	Setscrew 3 x 8
11	000081005	Setscrew 4 x 8	34	751186000	Reversing stopper
12	751142004	Thread tension release lever	35	000103808	Setscrew 3 x 5
13	735029004	Presser foot lifter	36	751009008	Needle plate adjusting plate (right)
14	000193001	TP screw (4 x 6)	37	751502006	Rotation stopper (unit)
15	652104004	Presser bar bushing	38	810220003	Setscrew
16	651014003	Presser bar spring			
17	735028014	Presser bar bracket			
18	000111500	Hexagon socket screw 4 x 8			
19	827021004	Presser bar			
20	685503010	Presser foot (unit)			
21	647112009	Thumb screw			
22	751603008	Needle plate complete (unit)			
23	653535001	Needle plate complete			



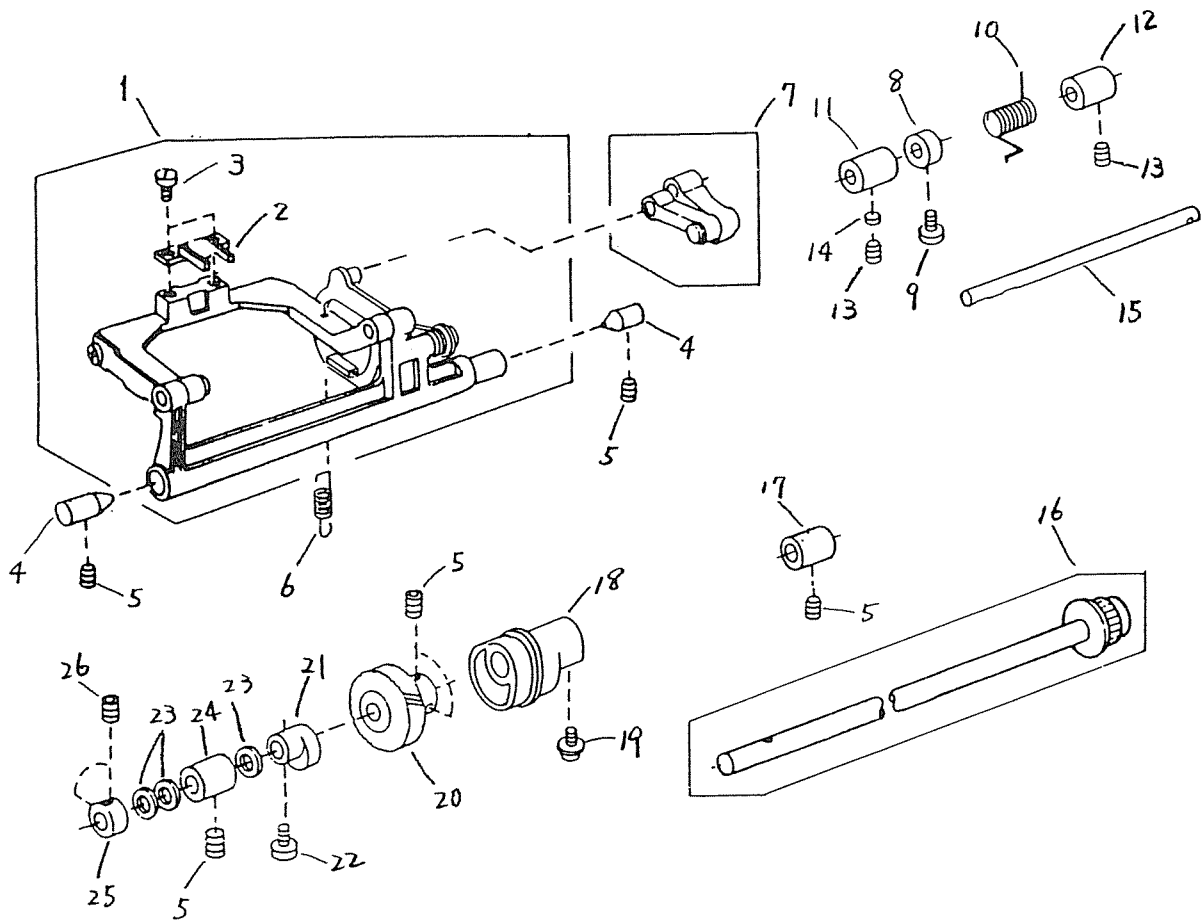
No.	Part No.	Part Name	No.	Part No.	Part Name
1	650038000	Needle bar supporter			
2	000111201	Hexagon socket screw 4 x 4			
3	751503007	Needle bar (unit)			
4	650100004	Needle bar connecting stud			
5	822063003	Felt (1)			
6	652044005	Felt			
7	650607006	Needle bar crank rod (unit)			
8	650039001	Needle bar crank rod			
9	650040005	Felt			
10	650041006	Felt holder spring			
11	650033005	Supporter shaft			
12	650034006	Supporter shaft stopper			
13	000101404	Setscrew 4 x 6			
14	650035007	Zigzag width crank			
15	000111500	Hexagon socket screw 4 x 8			
16	650037009	Supporter spring			
17	650036008	Supporter shaft spring			
18	000001609	Snap ring E-5			
19	102408089	Needle HA1-14			



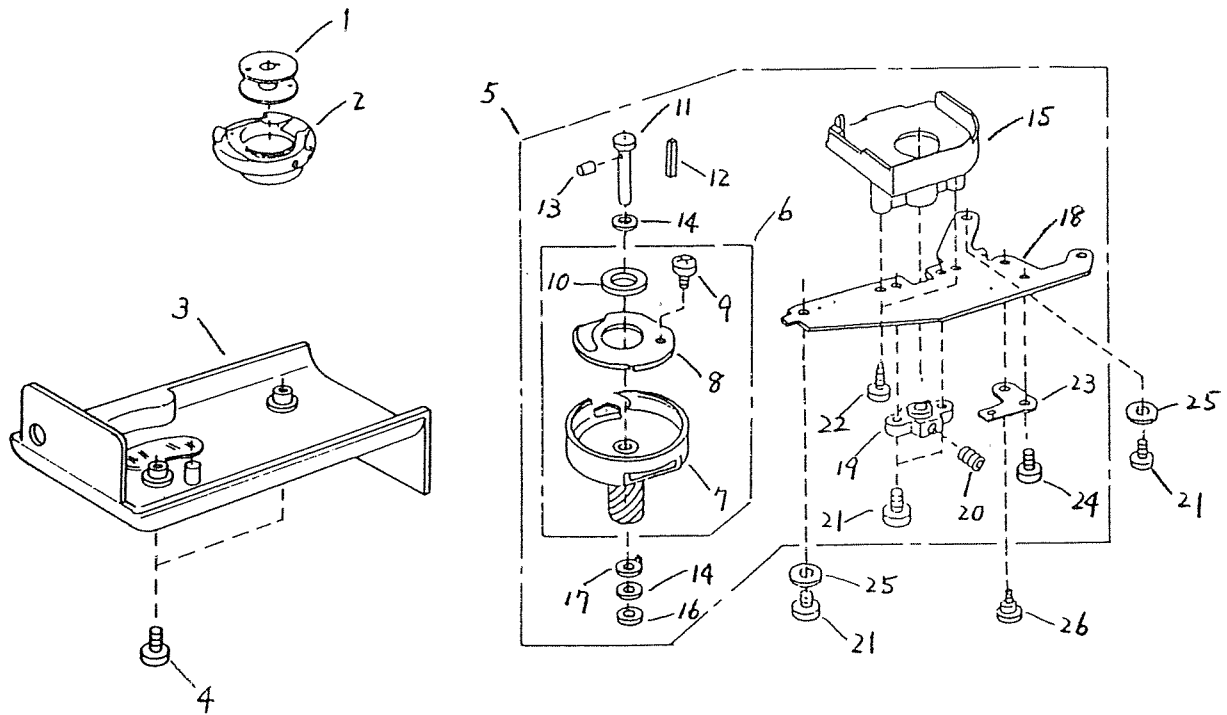
No.	Part No.	Part Name	No.	Part No.	Part Name
1	751188002	Lamp holder plate			
2	000081005	Setscrew 4 x 8			
3	000198006	Setscrew 4 x 40			
4	000160102	Adjustable lock nut 4			
5	652516003	Lamp socket (unit)			
6	000009009	Lamp 240V			
7	000103705	Setscrew 4 x 5			
8	652137006	Arm thread guide (2)			
9	000101404	Setscrew			
10	751662005	Thread tension release arm (unit)			
11	751145007	Thread tension release arm holder			
12	751215009	Thread tension release arm			
13	739019003	Thread tension release spring			
14	000002105	Snap ring E-3			
15	000103808	Setscrew 3 x 5			
16	751661004	Thread tension dial (unit)			
17	000093309	Setscrew 4 x 14			



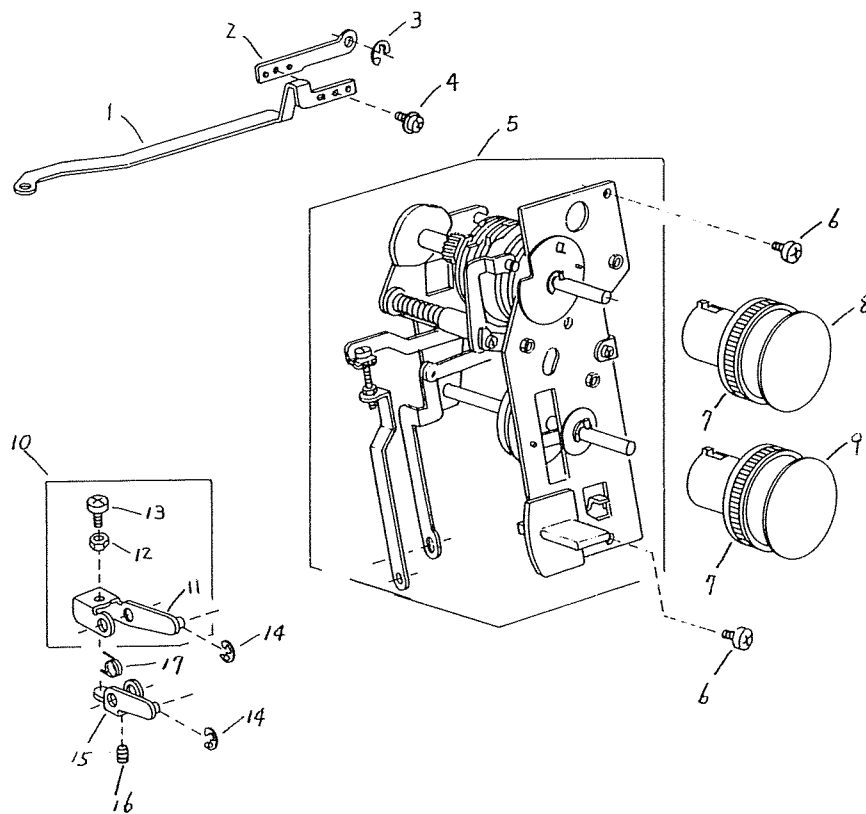
No.	Part No.	Part Name	No.	Part No.	Part Name
1	751520000	Upper shaft (unit)	24	000002806	Snap ring E-6
2	000111304	Hexagon socket screw 5 x 5	25	820511108	Thread take-up lever (unit)
3	751146008	Worm gear	26	000111201	Hexagon socket screw 4 x 4
4	553245008	Hexagon socket screw			
5	673062004	Upper shaft rear metal			
6	650063004	Upper shaft timing wheel			
7	000030205	Snap ring E-8			
8	650071005	Timing belt			
9	751650000	Balance wheel (unit)			
10	751124000	Balance wheel			
11	650065006	Clutch pin			
12	650066007	Clutch pin spring			
13	751125001	Clutch knob			
14	650068009	Clutch spring			
15	000107307	Tapping screw 3 x 8 (B)			
16	000036201	Thrust washer 8-0.5			
17	650174009	Washer			
18	810346006	Cam shaft screw			
19	650070509	Clutch cap			
20	000036706	Thrust washer FT100			
21	653139012	Timing belt			
22	652512009	Needle bar crank pin (unit)			
23	650062003	Thread take-up lever shaft			



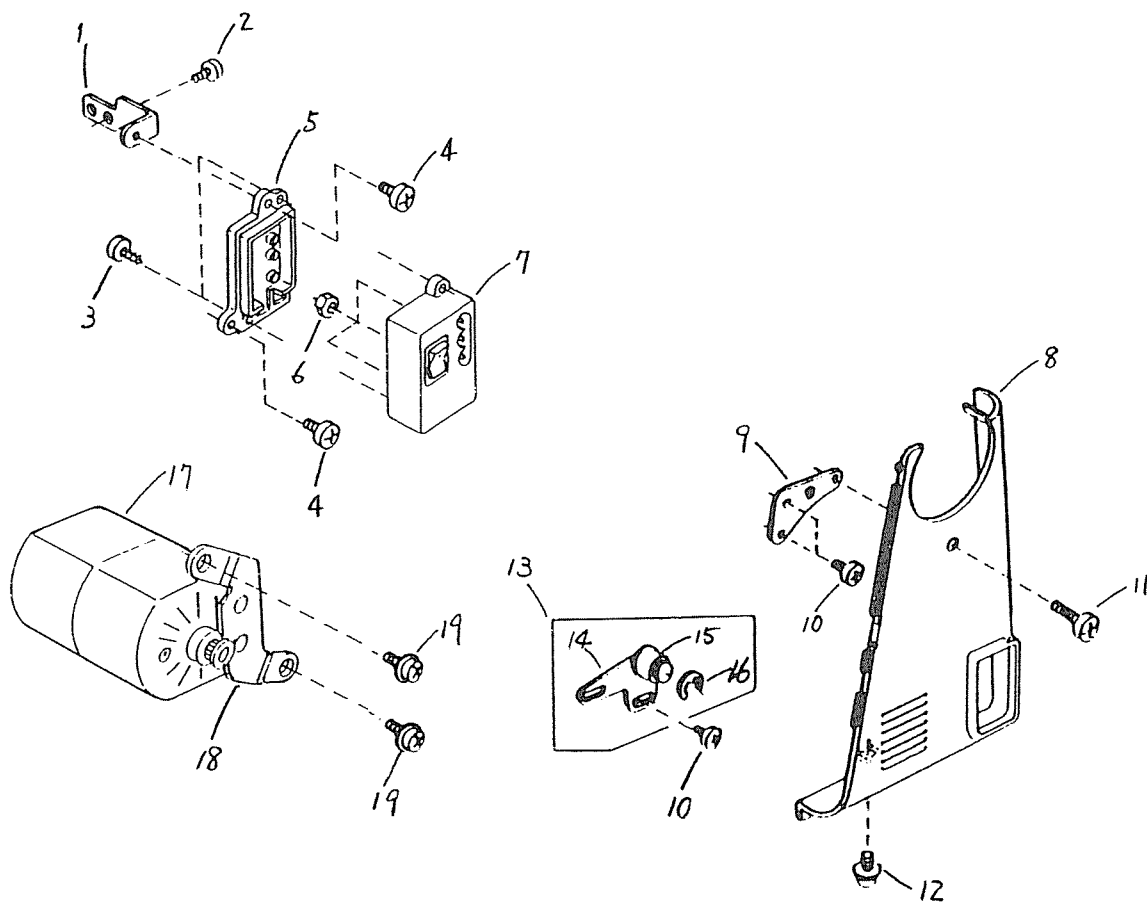
No.	Part No.	Part Name	No.	Part No.	Part Name
1	751666009	Feed rock shaft (unit)	24	650078002	Lower shaft bushing (front)
2	653193003	Feed dog	25	820166001	Ring
3	000104005	Setscrew 3.5 x 8	26	000111201	Hexagon socket screw 4 x 4
4	738055008	Straight pin			
5	000111304	Hexagon socket screw 5 x 5			
6	650085002	Feed bar spring			
7	650612004	Feed regulator (unit)			
8	820387000	Ring			
9	000081005	Setscrew 4 x 8			
10	652050004	Regulator spring			
11	625144002	Feed shaft bushing (front)			
12	650092002	Feed shaft bushing (rear)			
13	000111108	Hexagon socket screw 4 x 6			
14	650175000	Screw seat plate			
15	751156001	Feed shaft			
16	751612103	Lower shaft (unit)			
17	650079003	Lower shaft bushing (rear)			
18	751148000	Feed cam			
19	000115009	TP screw 3 x 8			
20	650076000	Lower shaft gear			
21	650077001	Feed lifting cam			
22	000121606	Tapping screw 3 x 12 (S)			
23	000038502	Washer			



No.	Part No.	Part Name	No.	Part No.	Part Name
1	102261103	Bobbin	24	000101404	Setscrew 4 x 6
2	627569117	Bobbin holder (unit)	25	000070506	Plain washer 4
3	751004209	Bed cover	26	650172007	Setscrew
4	000101703	Setscrew 4 x 12			
5	827614011	Hook complete (unit)			
6	650623008	Hook body (unit)			
7	650952009	Hook body (unit)			
8	627191000	Hook bottom plate			
9	820374004	Setscrew 2 x 2.3			
10	627190009	Hook magnet			
11	820123006	Hook shaft			
12	820124007	Hook shaft oil felt (1)			
13	820125008	Hook shaft oil felt (2)			
14	000038409	Washer			
15	827040009	Hook race cover			
16	625102008	Plain washer			
17	627192001	Hook shaft washer			
18	823106002	Hook holder plate			
19	650094004	Hook shaft base			
20	000111304	Hexagon socket screw 5 x 5			
21	000081005	Setscrew 4 x 8			
22	000107204	Tapping screw 3 x 12 (B)			
23	650171006	Positioning plate			



No.	Part No.	Part Name	No.	Part No.	Part Name
1	751183018	Zigzag width rod			
2	751232002	Zigzag width rod (2)			
3	000002507	Snap ring E-4			
4	000114709	TP screw 3 x 6			
5	751669002	Control mechanism block (unit)			
6	000081005	Setscrew 4 x 8			
7	751167005	Dial			
8	751197004	Pattern plate			
9	751198005	Feed indicating plate			
10	751667000	Feed adjusting arm (unit)			
11	751153008	Feed adjusting arm			
12	000160102	Adjustable lock nut 4			
13	000070001	Setscrew 4 x 14			
14	000002105	Snap ring E-3			
15	751154009	Feed shaft plate			
16	000111500	Hexagon socket screw 4 x 8			
17	751155000	Feed adjusting arm spring			



No.	Part No.	Part Name	No.	Part No.	Part Name
1	751137006	Machine socket holder plate			
2	000101404	Setscrew 4 x 6			
3	000107802	Tapping screw 3 x 10 (B)			
4	000103509	Setscrew 4 x 10			
5	739037007	Machine socket cover			
6	000060802	Hexagon nut			
7	739503009	Machine socket (unit)			
8	751136108	Belt cover			
9	827085017	Belt cover retaining plate			
10	000081005	Setscrew 4 x 8			
11	000080901	Setscrew 4 x 25			
12	000115607	TP screw 4 x 8			
13	753619003	Idler (unit)			
14	753119008	Idler base			
15	625217100	Idler			
16	000002806	Snap ring E-6			
17	M-2076	Motor (unit)			
18	751138008	Motor holder plate			
19	000115504	TP screw 5 x 10			