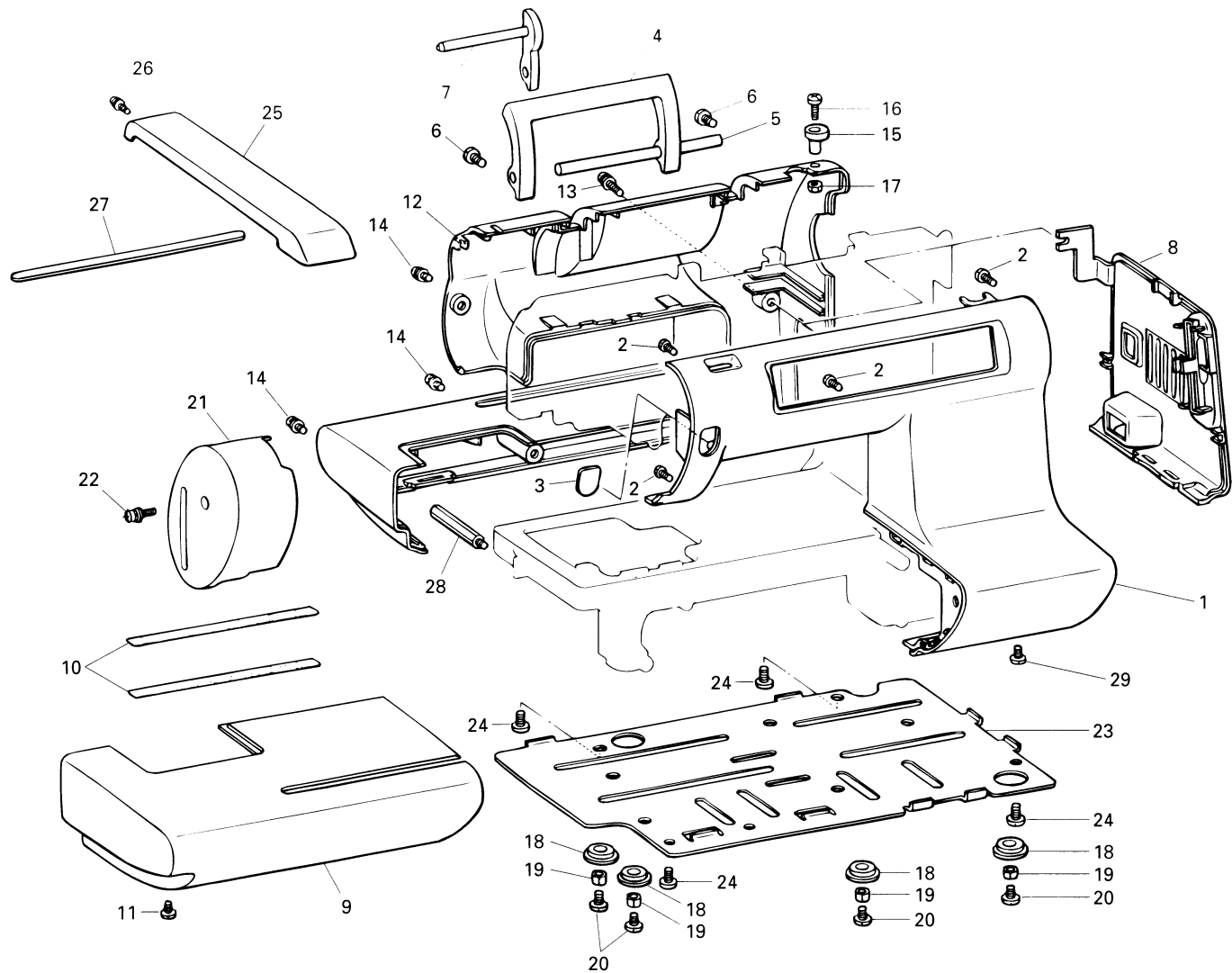


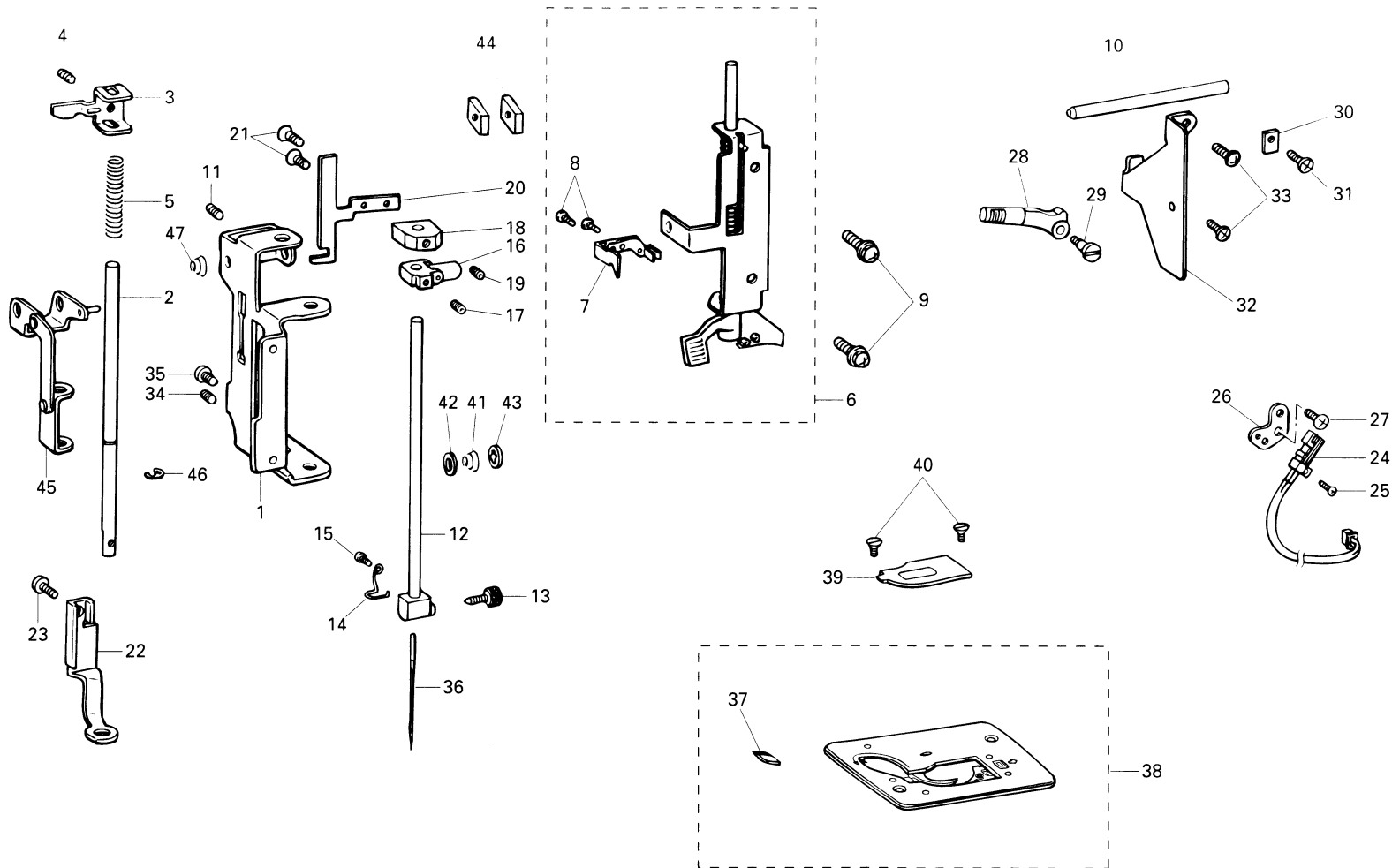
(1) PRINCIPAL PARTS AND DISPLAY

Ref. No.	Parts No.	Parts Name	Ref. No.	Parts No.	Parts Name	Ref. No.	Parts No.	Parts Name
1	XA3613001	Front cover (PE-200)						
2	138444001	Screw 4 × 14						
3	X58645004	SS button (Arrow)						
4	X58643051	Carrying handle						
5	X58644051	Carrying handle shaft						
6	052401406	Screw 4 × 14						
7	X58708001	Spool stand bar						
8	X59537001	Belt cover						
9	X58648101	Main cover						
10	X58649001	Groove cover						
11	085300815	Screw 3 × 8						
12	X59801002	Rear cover (with logo)						
13	052401406	Screw 4 × 14						
14	052400806	Screw 4 × 8						
15	121846001	Bobbin presser						
16	062301616	Screw M3 × 16						
17	021300106	Nut 3						
18	X55942100	Rubber cushion						
19	X56474001	Spacer						
20	X57908051	Screw 4 × 10						
21	X58653001	Face plate						
22	052400806	Screw 4 × 8						
23	X58655001	Base cover						
24	X57908051	Screw 4 × 10						
25	X58657102	X carriage cover						
26	052300606	Screw 3 × 6						
27	X58765001	Slider plate						
28	X59368051	Stud bolt						
29	085300815	Screw 3 × 8						



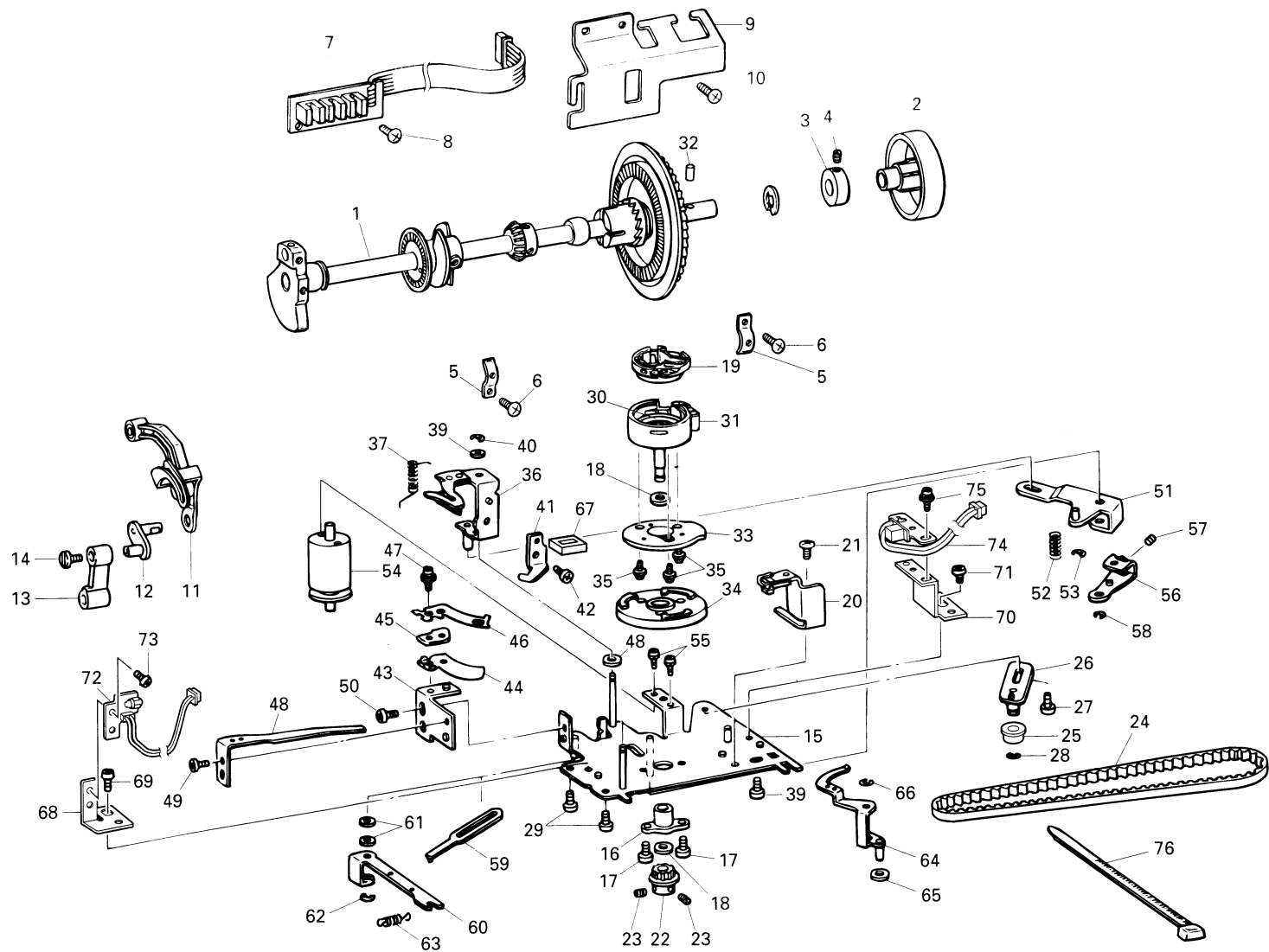
(2) NEEDLE BAR AND PRESSER BAR

Ref. No.	Parts No.	Parts Name	Ref. No.	Parts No.	Parts Name	Ref. No.	Parts No.	Parts Name
1	XA0415001	Presser unit holder	34	012400632	Screw 4 × 6			
2	XA3623051	Presser bar	35	060301216	Screw 3 × 12			
3	XA3626051	Presser bar bracket	36	117914011	Needle			
4	014400632	Screw 4 × 6	37	X56033001	Lower thread cutter			
5	XA3624001	Presser bar spring	38	XA3633001	Needle plate assembly			
6	XA0419001	Thread guide assembly	39	X56828151	Needle plate cover			
7	XA0445101	Hook assembly	40	X50487001	Screw M4			
8	037200416	Screw 2 × 4	41	X57822101	Needle bar presser spring			
9	052300606	Screw 3 × 6	42	X58511100	Washer			
10	X58772151	Thread take-up lever stud	43	109763003	Washer			
11	014400632	Screw 4 × 6	44	XA1298000	Spacer			
12	X55185001	Needle bar assembly	45	XA3627051	Presser link assy			
13	XA4052001	Needle clamp screw	46	048040346	Stop ring E4			
14	X55187100	Needle bar thread guide	47	X57822101	Needle bar presser spring			
15	062020416	Screw 2 × 4						
16	XA0425001	Needle bar block assembly						
17	014400432	Screw 4 × 4						
18	XA0429000	Positioning supporter						
19	012400432	Screw 4 × 4						
20	XA0430051	Needle threader position setter						
21	004260405	Screw 26 × 4						
22	XA3625001	Embroidery presser						
23	060400616	Screw 4 × 6						
24	X59478001	Presser switch assembly						
25	062260516	Screw 2.6 × 5						
26	X58676051	Presser switch holder						
27	X57908051	Screw 4 × 10						
28	X58677051	Presser foot lever						
29	X55168001	Stud screw M4						
30	X50532001	Shaft presser plate						
31	X57908051	Screw 4 × 10						
32	XA0431051	Face plate base plate						
33	X57908051	Screw 4 × 10						



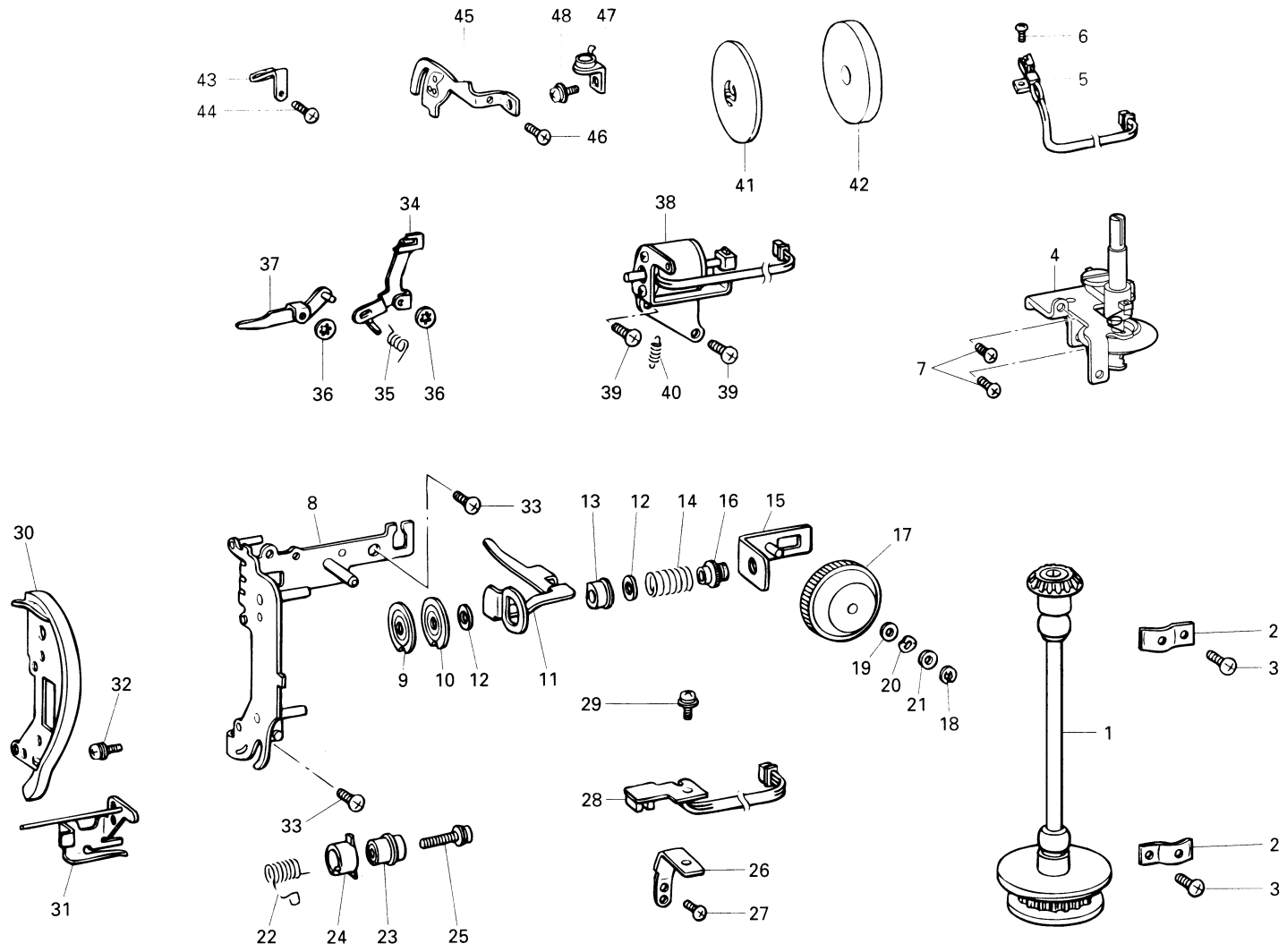
(3) BALANCE, ROTARY HOOK AND UPPER SHAFT

Ref. No.	Parts No.	Parts Name	Ref. No.	Parts No.	Parts Name	Ref. No.	Parts No.	Parts Name
1	XA3719101	Upper shaft assembly	32	X51920001	Needle roller bearing	65	026040236	Washer
2	X55147001	Hand wheel	33	XA3648000	Cam A	66	048030346	Stop ring E3
3	130096151	Collar	34	XA3649000	Cam B	67	XA2189050	rubber
4	014400632	Screw 4 × 6	35	U52594001	Screw 2.6 × 8	68	XA4046051	Photo diode board holder
5	132421001	Lower shaft bushing presser	36	XA3650001	Thread cutting arm assy	69	060400616	Screw 4 × 6
6	060401216	Screw 4 × 12	37	XA3658001	Spring	70	XA4047051	Photo transistor board holder
7	XA0450101	NP PC board assembly	38	026050235	Washer	71	060400616	Screw 4 × 6
8	060400816	Screw 4 × 8	39	137713000	Washer	72	XA4048001	Photo diode assy
9	X58763051	Shutter cover	40	048040346	Stop ring E4	73	060300616	Screw 3 × 6
10	X57908051	Screw 4 × 10	41	XA4055050	Thread Cutter Assist Plate	74	XA4050001	Photo transistor assy
11	X58776151	Thread take-up assembly	42	060300416	Screw 3 × 4	75	052300606	Screw 3 × 6
12	X59571051	Needle bar crank	43	XA3660050	Fixed blade holder	76	124240001	Bind
13	X55197050	Needle bar crank rod	44	XA3661100	Inner rotary hook holder			
14	X59572051	Screw 3.57	45	XA3662050	Fixed blade spacer			
15	XA3637101	Rotary hook shaft frame assembly	46	XA3663001	Fixed blade			
			47	052300606	Screw 3 × 6			
16	XA3644000	Shaft supporter	48	XA3664001	Lower thread guide plate assy			
17	060300616	Screw 3 × 6	49	060300616	Screw 3 × 6			
18	137805001	Spacer	50	060400616	Screw 4 × 6			
19	X57177201	Inner rotary hook assembly	51	XA3667101	Thread cutting lever assy			
20	X59803001	Inner rotary hook bracket assembly	52	XA3670001	Spring			
			53	048040346	Stop ring E4			
21	060400616	Screw M4 × 6	54	X58703001	Solenoid			
22	138417000	Rotary hook shaft pulley	55	X59522001	Screw 2.6 × 4			
23	014400632	Screw 4 × 6	56	XA3672051	Solenoid lever			
24	X58784001	Timing belt 200 XL015	57	014300532	Screw 3 × 5			
25	X50079000	Belt tension pulley	58	048040346	Stop ring E4			
26	XA3645051	Pulley plate assembly	59	X56123051	Bobbin presser lever assy			
27	052300606	Screw 3 × 6	60	XA3673050	Bobbin presser rod			
28	048060346	Stop ring E6	61	025050135	Washer			
29	X57908051	Screw 4 × 10	62	048040346	Stop ring E4			
30	X59310001	Outer rotary hook washer	63	XA3674001	Spring			
31	XA0479001	Outer rotary hook assembly	64	XA3675101	Bobbin presser assy			



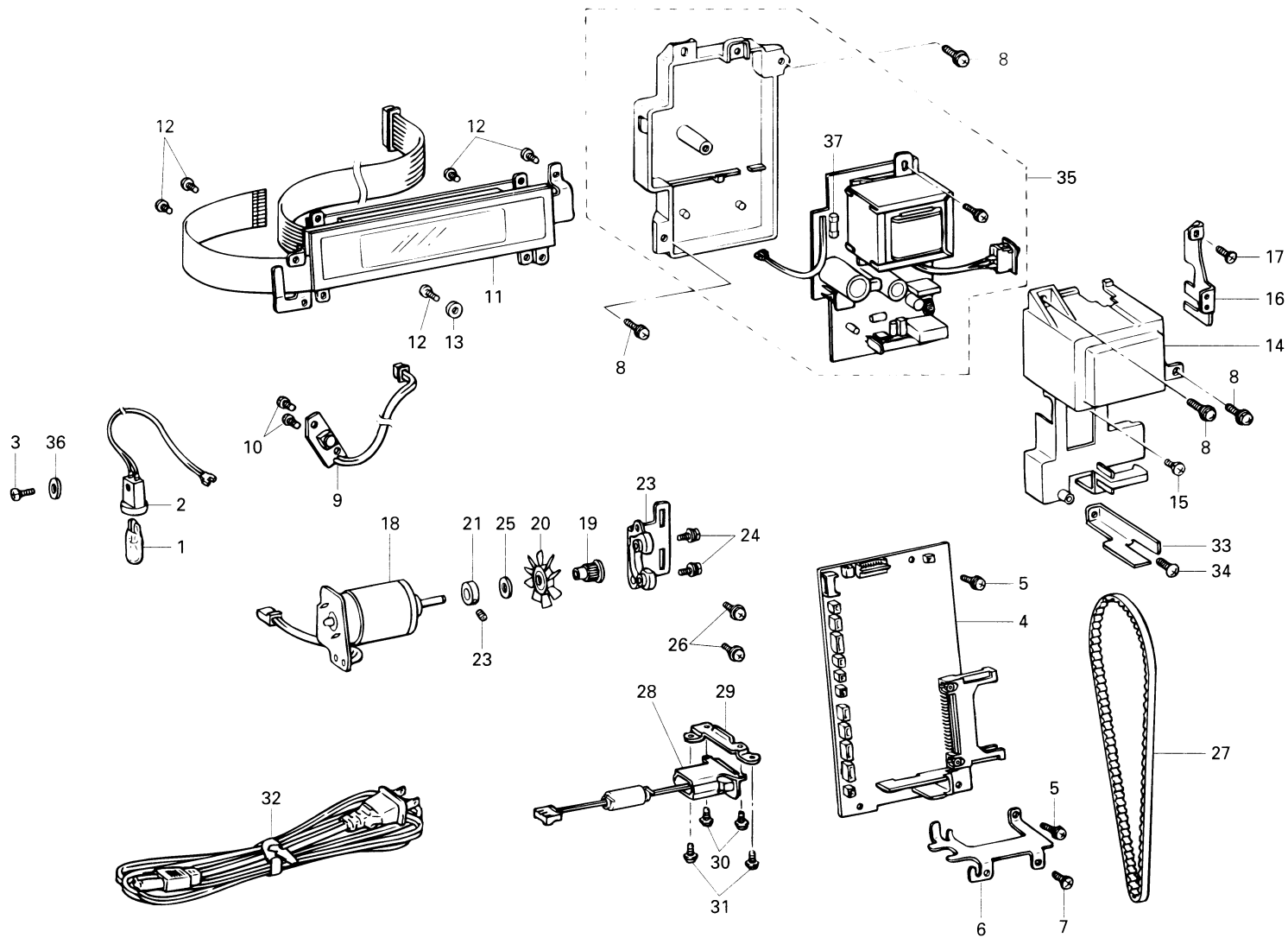
(4) VERTICAL SHAFT, BOBBIN WINDER AND THREADING MECHANISM

Ref. No.	Parts No.	Parts Name	Ref. No.	Parts No.	Parts Name	Ref. No.	Parts No.	Parts Name
1	X58785001	Vertical shaft assembly	29	052300606	Screw 3 × 6			
2	132421001	Lower shaft bushing presser	30	X58694001	Thread guide cover			
3	060401216	Screw 4 × 12	31	X58804051	Arm thread guide assembly			
4	X58787051	Bobbin winder assembly	32	538773001	Screw 3 × 8 DA			
5	X56202001	Bobbin winder switch assembly	33	X57908051	Screw 4 × 10			
			34	X58696151	Thread tension release plate B			
6	062260516	Screw 2.6 × 5	35	X58697151	Spring B			
7	X57908051	Screw 4 × 10	36	120454001	Stop ring CS			
8	X58681051	Thread guide plate sub assembly	37	X58698051	Thread tension release plate C assembly			
9	108263001	Thread tension disc	38	X58701001	Solenoid holder assembly			
10	129376001	Thread tension disc	39	X57908051	Screw 4 × 10			
11	X58686051	Thread tension release plate A	40	X58704051	Spring			
12	109763003	Washer	41	X55260002	Spool presser C			
13	137881001	Spring seat	42	X57045001	Felt			
14	X58687101	Spring	43	X59416001	Thread guide plate A			
15	X58688051	Thread tension plate assembly	44	U22725001	Screw 2.6 × 8			
16	137878051	Thread tension adjusting screw	45	X58706101	Thread guide plate B assembly			
17	X55253003	Thread tension dial	46	085300815	Screw 3 × 8			
18	048030346	Stop ring E3	47	X53252051	Spool guide assembly			
19	137999000	Washer	48	052300606	Screw 3 × 6			
20	137991001	Washer						
21	025040133	Washer 4						
22	X59432051	Thread take-up spring						
23	X53828001	Thread take-up spring case						
24	X58316001	Thread breakage shutter						
25	0A4402005	Screw 4 × 20 DA						
26	X58691051	Thread breakage sensor holder						
27	060300616	Screw 3 × 6						
28	XA0453001	Thread breakage board assembly						



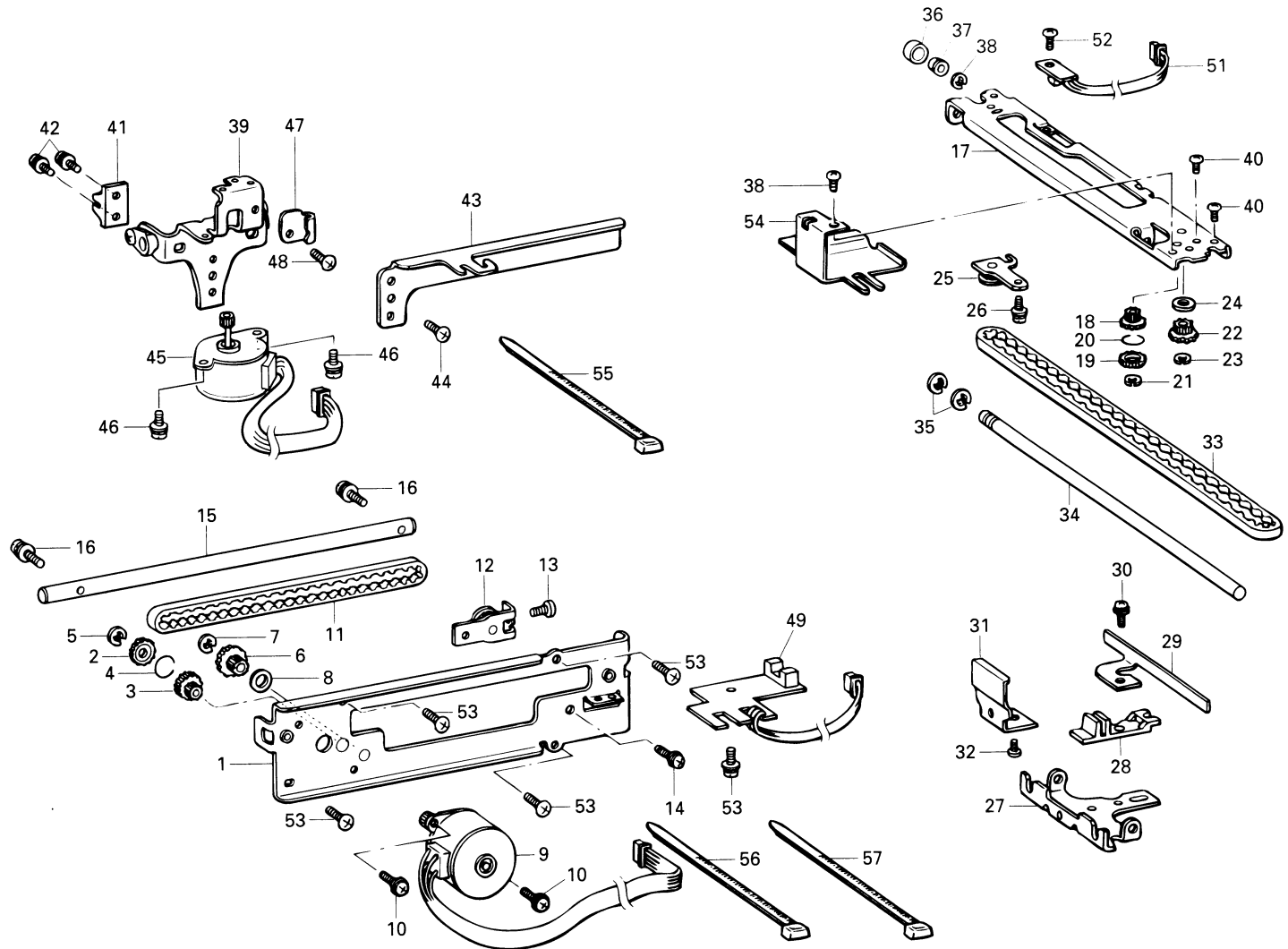
(5) LAMP ELECTRONIC PARTS, MOTOR AND POWER SUPPLY

Ref. No.	Parts No.	Parts Name	Ref. No.	Parts No.	Parts Name	Ref. No.	Parts No.	Parts Name
1	X50228001	Sew-light bulb	16	X59205001	Switch holder	35	XA3702001	Power supply unit assembly for 120V
2	X58710001	Socket assembly	17	X57908051	Screw 4 × 10		XA3705001	Power supply unit assembly for 220V to 240V
3	085301415	Screw 3 × 14	18	XA0462001	Motor unit for 120V			
4	X80983001	Main PC board assembly for U.S.A. and Canada		XA0468001	Motor unit for 220V to 240V			
	X80984001	Main PC board assembly for IRELAND, GERMANY, BELGIUM, U.K., FARNCE, NORWAY, NETHERLANDS, AUSTRIA, GREECE, SWEDEN, SPAIN, PORTUGAL, ITALY, FINLAND, SWITZERLAND, DENMARK, GIBRALTAR, ICELAND, MALTA, MONACO, AUSTRALIA, NEW ZEALAND and SOUTH AFRICA	19	X58759000	Motor pulley	36	025030336	Washer
			20	X58760000	Flange fan	37	X55397001	G Fuse 3.15A for 120V
			21	130676151	Collar		X53477001	G Fuse 3.15A for 220V to 240V
			22	014400632	Screw 4 × 6			
			23	X58761051	Motor holder			
			24	X50020001	Screw 3 × 10 DA			
			25	X53838001	Washer			
			26	138172001	Screw 4 × 10 DA			
			27	X58762001	Driver belt B124 XXL4.8			
			28	XA4068001	Inlet assembly for 120V			
				X59545001	Inlet assembly for 220V to 240V			
			29	X59577001	Inlet installing plate			
			30	052300606	Screw 3 × 6			
	X80985001	Main PC board assembly for KOREA	31	060400816	Screw 4 × 8			
	X80986001	Main PC board assembly for other countries	32	XA2815051	Power supply cord for USA and Canada			
				XA0070051	Power supply cord for Europe (except UK) and South Africa			
5	052300606	Screw 3 × 6		X59328051	Power supply cord for Australia and New Zealand			
6	X58744051	Board installing plate		X57079001	Power supply cord for UK			
7	X57908051	Screw 4 × 10		XA1291051	Power supply cord for KOREA			
8	052401205	Screw 4 × 12						
9	X58746101	SS PC board assembly						
10	087310515	Screw 3 × 5	33	XA0442001	Main motor cover for 220V to 240V			
11	X58749007	LCD module assembly						
12	085300815	Screw 3 × 8						
13	X57005000	Insulating washer 3	34	138173001	Screw 4 × 10			
14	XA0443001	Power supply unit cover						
15	138444001	Screw 4 × 14						



(6) EMBROIDERY MECHANISM

Ref. No.	Parts No.	Parts Name	Ref. No.	Parts No.	Parts Name	Ref. No.	Parts No.	Parts Name
1	X58713151	Main frame assembly	32	060300416	Screw 3 × 4			
2	X56321000	Intermediate gear A	33	X56354001	Y belt 40S2M360			
3	X56322000	Intermediate gear B	34	XA3698051	Y guide shaft			
4	X56323051	Gear spring	35	048040346	Stop ring E4			
5	048020346	Stop ring E2	36	X51657000	Roller rubber			
6	X56352000	Y drive gear pulley	37	X51658000	Roller wheel			
7	048040346	Stop ring E4	38	048025346	Stop ring E2.5			
8	026060235	Washer 6	39	XA3699001	X carriage support assembly			
9	XA3694001	X pulse motor	40	060300516	Screw 3 × 5			
10	052300606	Screw 3 × 6	41	X58729000	X belt presser			
11	X58715001	X belt 40S2M400	42	538773001	Screw 3 × 8 DA			
12	X58716001	X tension pulley plate assembly	43	X58730151	X initial shutter			
13	060300816	Screw M3 × 8	44	060300516	Screw 3 × 5			
14	052300606	Screw M3 × 6	45	XA3701001	Y pulse motor			
15	X58718151	X guide shaft	46	575039003	Screw 3 × 5			
16	052401406	Screw 4 × 14	47	X58731050	Cord guide			
17	X58719101	X carriage assembly	48	060300516	Screw 3 × 5			
18	X56321000	Intermediate gear A	49	XA0470001	X sensor board assembly			
19	X56322000	Intermediate gear B	50	052300606	Screw 3 × 6			
20	X56323051	Gear spring	51	X58259101	Y sensor board assembly			
21	048020346	Stop ring E2	52	060020416	Screw M2 × 4			
22	X56352000	Y drive gear pulley	53	X57908051	Screw 4 × 10			
23	048040346	Stop ring E4	54	XA3700050	Gear Cover			
24	026060235	Washer 6	55	124240001	Bind			
25	XA3695001	Y tension pulley plate assembly	56	124240001	Bind			
26	052300606	Screw 3 × 6	57	124240001	Bind			
27	XA3697001	Y carriage						
28	X58272100	Y slider						
29	X58724001	Y shutter						
30	052300606	Screw 3 × 6						
31	X58725001	Notched spring						



(7) ACCESSORIES, PACKAGES

Ref. No.	Parts No.	Parts Name	Ref. No.	Parts No.	Parts Name	Ref. No.	Parts No.	Parts Name
1	X58739003	Embroidery frame A2 assembly	23	191216011	Instruction manual (English/Spanish)			
2	X56373101	Outside frame screw		191216013	Instruction manual (French/Dutch)			
3	X59422001	Washer 3.1		191216015	Instruction manual (German/French)			
4	021300106	Nut 3		191216017	Instruction manual (Chinese)			
5	XA0181051	Machine cover		191216019	Instruction manual (Italian)			
6	X59351001	Machine cover (Soft type)						
7	128369003	Bag						
8	122992001	Brush						
9	184783001	Scissors						
10	X54243001	Ripper						
11	130012003	Spool presser A						
12	X53666001	Screwdriver						
13	X59535001	Needle set						
14	XA3728001	Embroidery sheet assembly						
15	X80309001	Bobbin						
16	130013003	Spool presser B						
17	130920051	Assist spool stand bar						
18	127610000	Net						
19	X61034001	Carton						
20	X61034002	Carton (with Recycle Stamp)						
21	X60487100	Styro foam						
22	X60484000	Carriage support carton						
	X60614000	Space pad carton						
	163562000	Vinyl bag						

7

