

brother®

**Home Sewing Machine
PARTS REFERENCE LIST**

MODEL: NV1500D/NV1500

MECHANISMS & ELECTRONICS

CONTENTS

(1) PRINCIPAL PARTS.....	2
LCD SUPPLY ASSEMBLY	6
(2) UPPER SHAFT / NEEDLE BAR, PRESSER MECHANISM.....	8
(3) FEED, ROTARY HOOK / SIDE FEED / THREAD CUTTING MECHANISM	10
(4) ROTARY HOOK DRIVE / BOBBIN WINDER MECHANISM	12
(5) THREAD GUIDE MECHANISM / THREAD HOOK MECHANISM	14
(6) ELECTRONIC PARTS / MOTOR UNIT	16
(7) EMBROIDERY UNIT	18
(8) ATTACHMENTS / PACKING MATERIALS / PRINTED MATTER....	22
NEEDLE-PRESSER MODULE.....	26
FEED MODULE	30
THREAD CUTTER MODULE	34

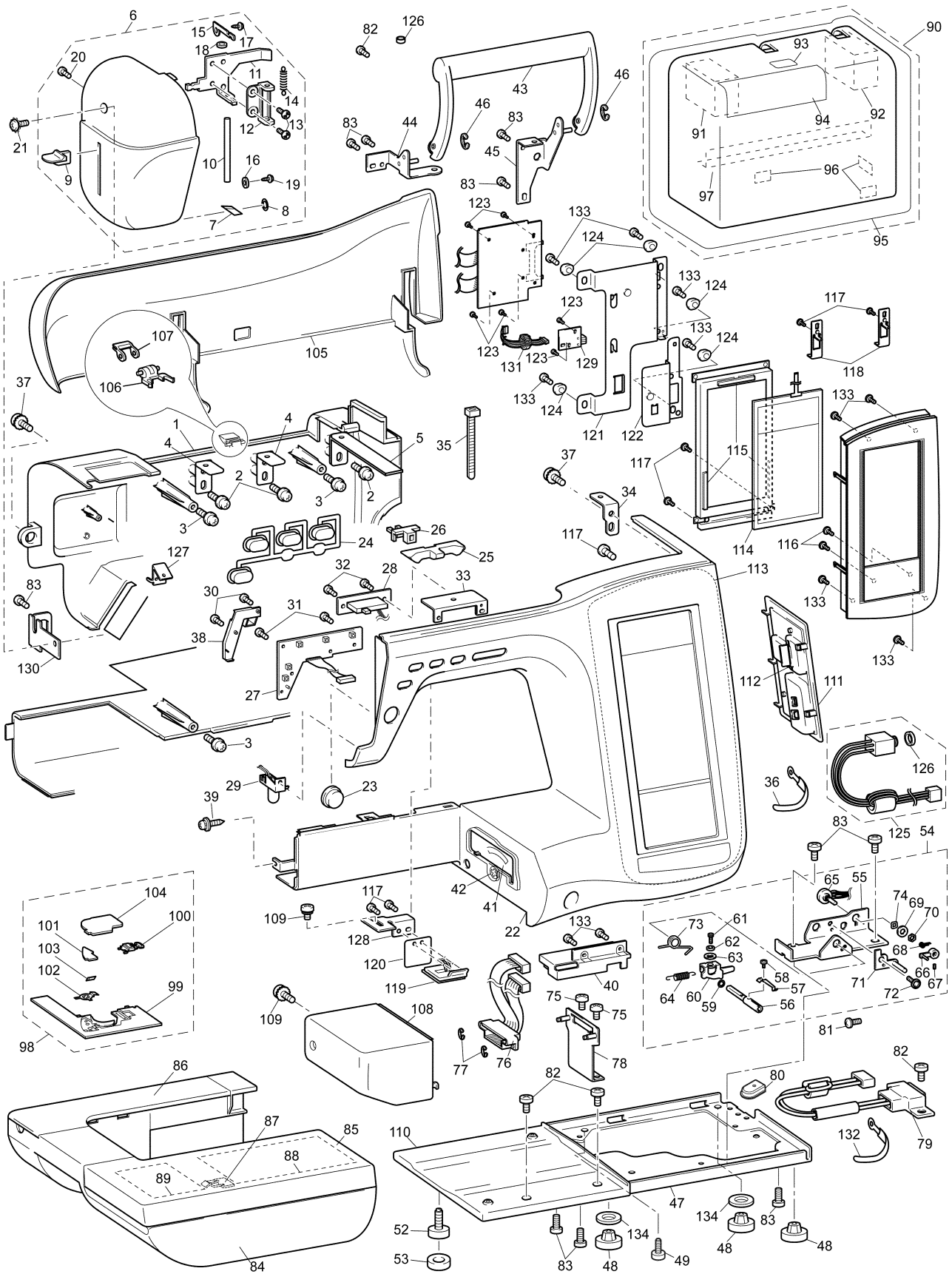
Note on parts:

We keep performance parts for this sewing machine for at least 8 years after this model is discontinued. Performance parts are the necessary parts to maintain the function of the sewing machine.

(1) PRINCIPAL PARTS

No.	CODE	NAME	REMARKS	No.	CODE	NAME	REMARKS
1	XD0304052	REAR COVER		45	XC7733051	HANDLE HOLDER R ASSY	
2	087411016	TAPTITE CUP B M4X10		46	048040346	RETAINING RING E4	1000001451
3	087411416	TAPTITE CUP B M4X14		47	XC7736051	BASE PLATE	
4	XC7717051	PLATE A		48	XA1805051	BASE RUBBER A	1000003764
5	XC7718051	PLATE B		49	XA4687051	ADJUSTING SCREW ASSY	
6	XC9376151	FACE PLATE ASSY		50	XA4689051	BASE-PLATE-RUBBER	1000003764
7	X80321001	NT LOWER THREAD CUTTER		51	XA9387050	BASE-PLATE-RUBBER	1000003764
8	146200051	RETAINING RING, CS4		52	062500816	SCREW PAN M5X8	
9	XC2747051	NEEDLE THREAD LEVER KNOB		53	XA4689051	BASE PLATE RUBBER	
10	XC9386051	NEEDLE THREAD LEVER SHAFT		54	XC7737051	KNEE LIFTER ASSEMBLY	
11	XC9387051	NEEDLE THREAD LEVER		55	XC7738051	LIFTER BASE	
12	XD0119050	NEEDLE THREAD LEVER SLIDER		56	XC7739151	SHAFT	1000009214
13	XA8390051	SCREW		57	XA6215251	SPRING,PLATE	
14	XC9388051	THREAD THROUGH LEVER SPRING		58	060260316	SCREW BIND M2.6X3	
15	XA6320050	SHAFT PRESSER PLATE		59	X51383050	WASHER,THRUST	
16	XA5525051	WASHER,PLAIN		60	XC7740051	LIFTER LINK	
17	138433051	TAPTITE,PAN B M3X6		61	XA6252051	SCREW	
18	XC0508050	RUBBER WASHER		62	028040242	WASHER SPRING 2-4	
19	X59629051	TAPTITE,BIND B M3X10		63	026040236	WASHER PLAIN M 4	
20	0A6401206	SCREW PAN (T WASHER) M4X12		64	XC7741051	SPRING	
21	XC7566051	SCREW, PAN(S/P WASHER)M4X8		65	XC8208051	ASSY:KNEE LIFTER SENSOR	
22	XD0314151	FRONT COVER	050237	66	XA6493051	PT LEVER	
23	XC7723051	SS-BUTTON		67	012300632	SET SCREW SOCKET (FT) M3X6	
24	XC7724051	BUTTON		68	XC7742051	SPRING	
25	XC7728051	SV KEYTOP		69	026060235	WASHER PLAIN M 6	
26	XC7729051	SV JOINT PLATE		70	X52569001	NUT	
27	XC8199051	ASSY:SS PCB D6		71	XC7743051	STOPPER PLATE ASSY	
28	XC8202051	ASSY:VR PCB D6		72	0A5400806	SCREW PAN (S/P WASHER) M4X8	
29	XC7981051	PCB UNIT:LED LAMP-D6R		73	XC8624051	KNEE LIFTER SPRING	
30	085311415	TAPTITE BIND B M3X14		74	XC8573051	WASHER,WAVE SPRING	
31	136681051	TAPTITE, BIND B M3X8		75	060400616	SCREW BIND M4X6	
32	X59629051	TAPTITE,BIND B M3X10		76	XC9511051	LEAD WIRE ASSY MAIN BODY D6M	
33	XC7838051	PLATE C		77	048030346	RETAINING RING E3	1000001451
34	XC7839151	PLATE D	1000000666	78	XC7746051	CONNECTOR HOLDER ASSY	
35	X53169050	BAND		79	XC7632051	INLET ASSY:D6 US (U.S.A., CAN)	
36	137947001	CLIP			XC8419051	INLET ASSY:D6 EU (OTHER)	
37	087411016	TAPTITE CUP B M4X10		80	XE1830001	SAFETY COVER	060198
38	XC8680050	S HOLDER		81	060300616	SCREW BIND M3X6	
39	XC4433051	SCREW,PAN(T WASHER)M3X6		82	060400616	SCREW BIND M4X6	
40	XC8478250	INVERTER COVER		83	X57908052	TAPTITE,BIND S M4X10	1000010516
41	XA9400151	CONNECT COVER		84	XD0529051	ACCESSORY TABLE	
42	146200051	RETAINING RING, CS4		85	XD0697051	ACC TABLE F COVER SUPPLY ASSY	
43	XC7686051	HANDLE		86	XC9398051	ACCESSORY TABLE REAR COVER	
44	XC7731051	HANDLE HOLDER L ASSY		87	138644051	NOTCHED SPRING	

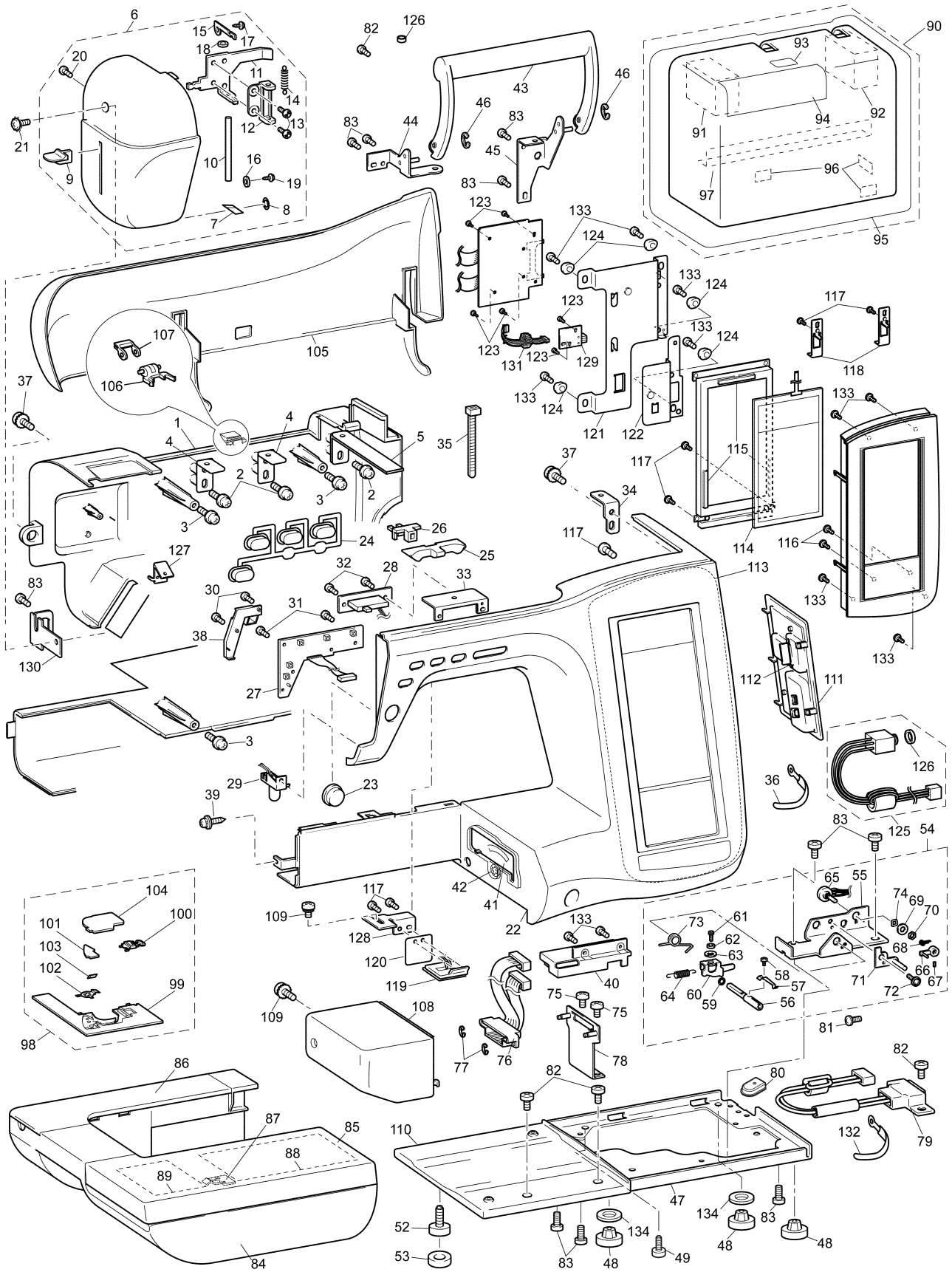
(1) PRINCIPAL PARTS



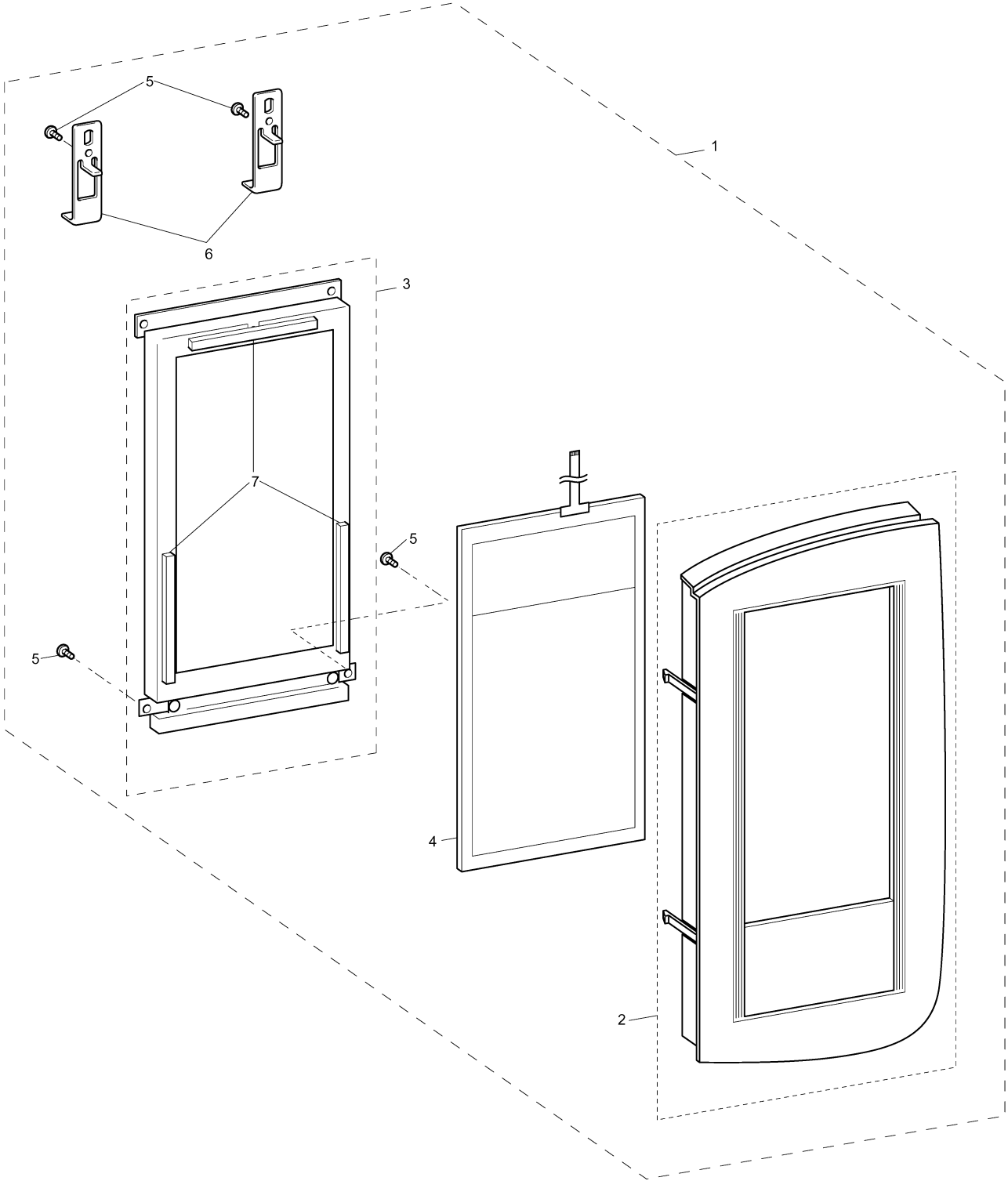
(1) PRINCIPAL PARTS

No.	CODE	NAME	REMARKS	No.	CODE	NAME	REMARKS
88	XD0528050	SPONGE A		130	XC9412151	FACE PLATE HOLDER	060124
89	XD0609050	SPONGE B		131	XD0518151	LEAD WIRE ASSY USB D6M_E	
90	XD1552051	CASE ASSEMBLY	050290	132	137947001	CLIP	
91	XD1471050	UNDER CASE POLYSTYRENE L		133	085311216	TAPTITE,BIND B M3X12	1000004563
92	XD1469050	UNDER CASE POLYSTYRENE R		134	131976050	WASHER,THRUST	1000013347
93	XA3028052	DECORATION PLATE					
94	XD1464051	CASE COVER					
95	XC8613051	BAG 900X600H	1000013225				
96	125440050	CASE FELT					
97	XD1465051	SHEET FOR D6 HARDCASE					
98	XC2364152	NEEDLE PLATE B ASSY	1000007183				
99	XC2365152	NEEDLE PLATE B	1000006517				
100	XC2366152	SLIDE BUTTON					
101	XD1666052	CUTTER COVER	050250				
102	XD1461051	NEEDLE PLATE COVER SPRING	050272				
103	X80321001	NT LOWER THREAD CUTTER					
104	XD1645021	NEEDLE PLATE COVER SUPPLY ASSY	1000001728				
105	XC7690055	TOP COVER					
106	XZ0391051	UPPER COVER HOLDER					
107	XC3286001	UPPER COVER HINGE OEM					
108	XC7691051	FREE ARM COVER					
109	0A6400806	SCREW PAN (T WASHER) M4X8					
110	XC7692051	BASE PLATE COVER					
111	XC9402351	CARD PCB COVER	060118				
112	XC7756051	PEN HOLDER					
113	XD0731051	LCD MODULE SUPPLY ASSY (U.S.A.)					
	XD0732051	LCD MODULE SUPPLY ASSY (OTHER)					
114	XC9408053	ASSY:TOUCH PANEL D6MID (U.S.A.)	1000012568				
	XC9408054	ASSY:TOUCH PANEL D6MID (OTHER)	1000012568				
115	XA6039051	FRONT COVER SPACER B					
116	136681051	TAPTITE, BIND B M3X8					
117	X59629051	TAPTITE,BIND B M3X10	1000004563				
118	XC9410051	LCD PRESSER MID					
119	XD0504051	LED LAMP UNIT WORK AREA D6					
120	XC7759051	INSULATION SHEET					
121	XD0521051	CARD PCB HOLDER					
122	XD0522051	USB PCB HOLDER					
123	060300516	SCREW BIND M3X5					
124	XC4543021	BOARD PRESSER	060193				
125	XC9930051	FC JACK SUPPLY ASSY					
126	XD1973001	NUT F	050333				
127	XZ0407051	ADJUST PLATE A					
128	XC8431051	ADJUST PLATE B					
129	XC9508051	USB PCB ASSY D6M					

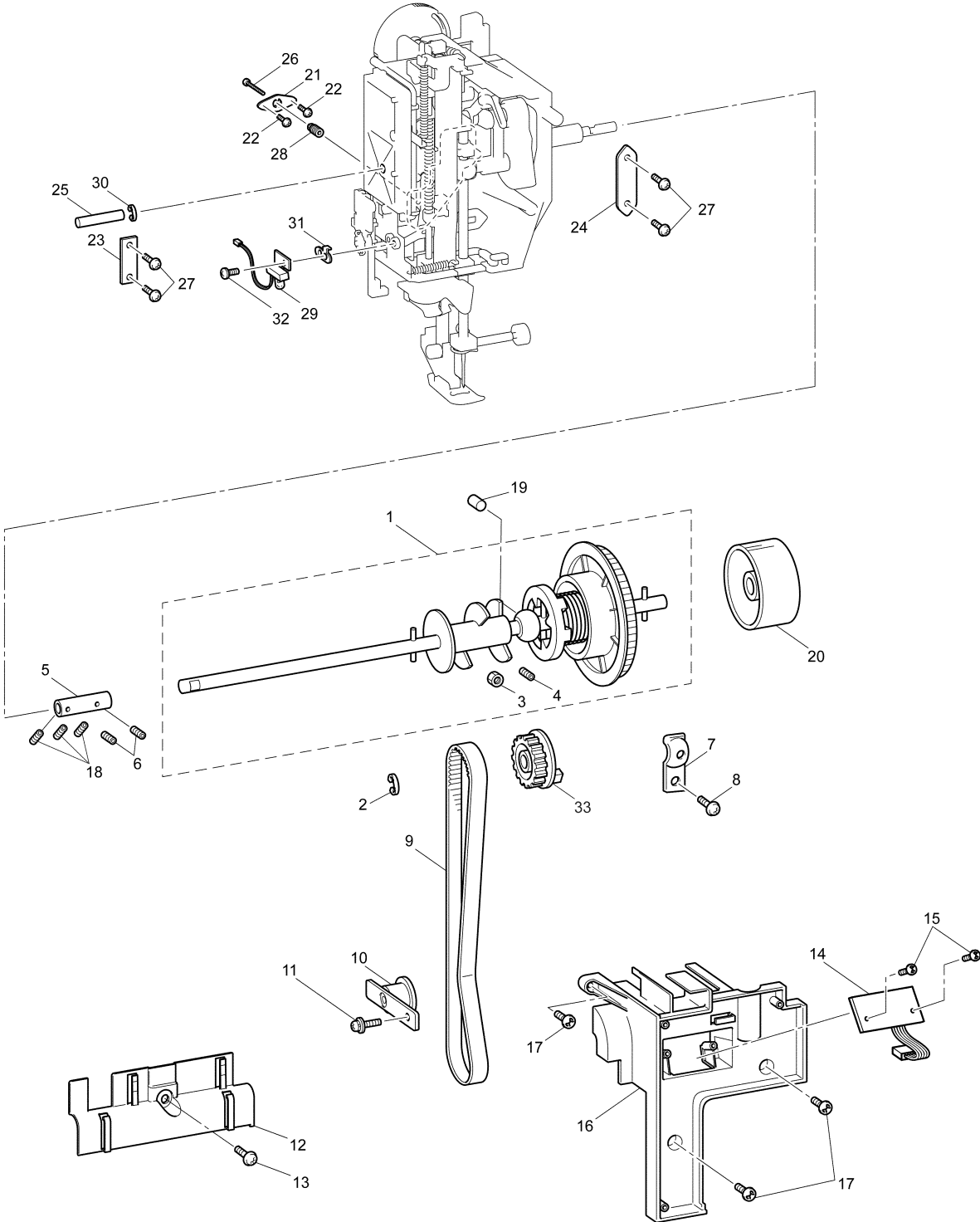
(1) PRINCIPAL PARTS



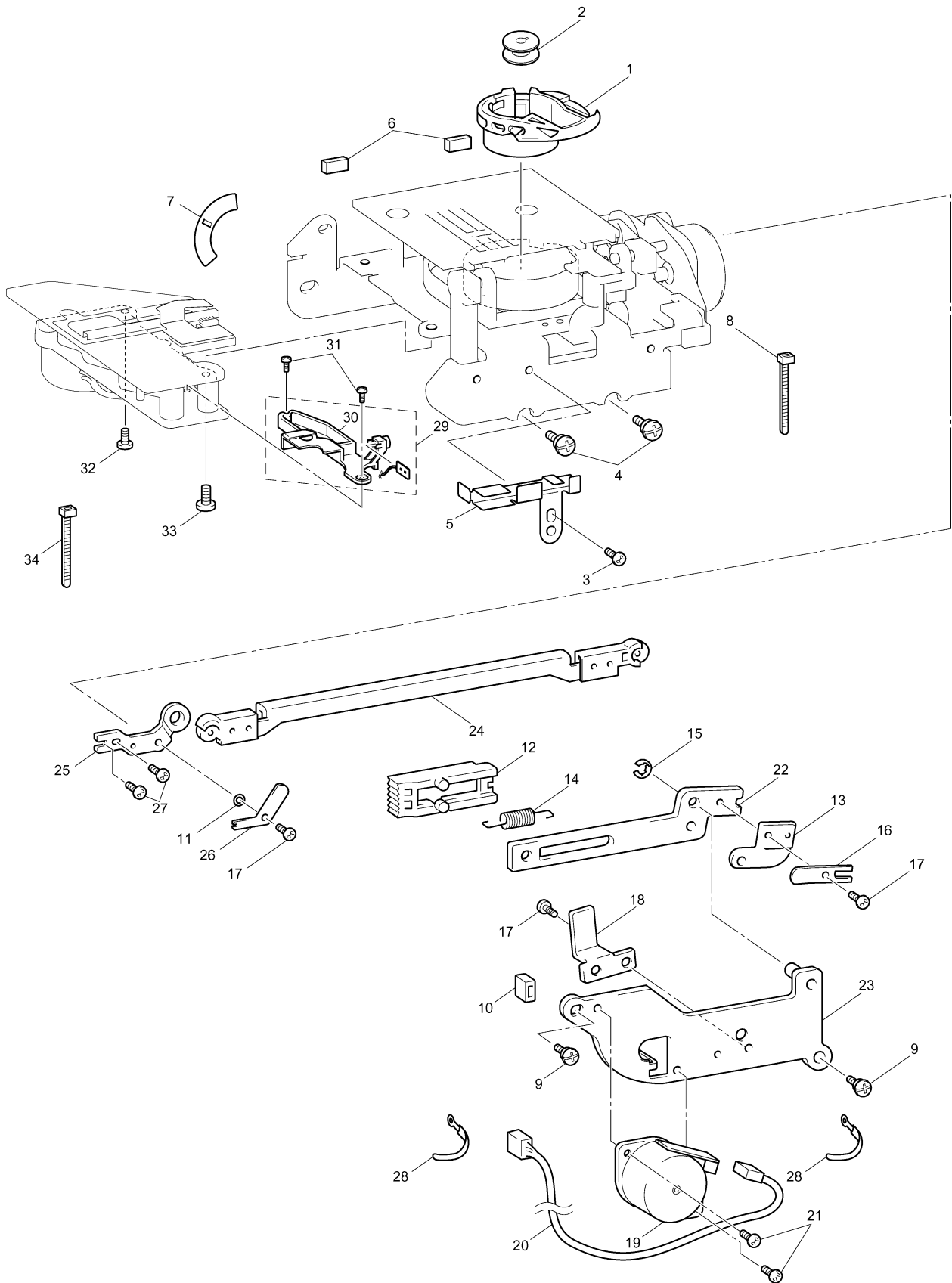
LCD SUPPLY ASSEMBLY



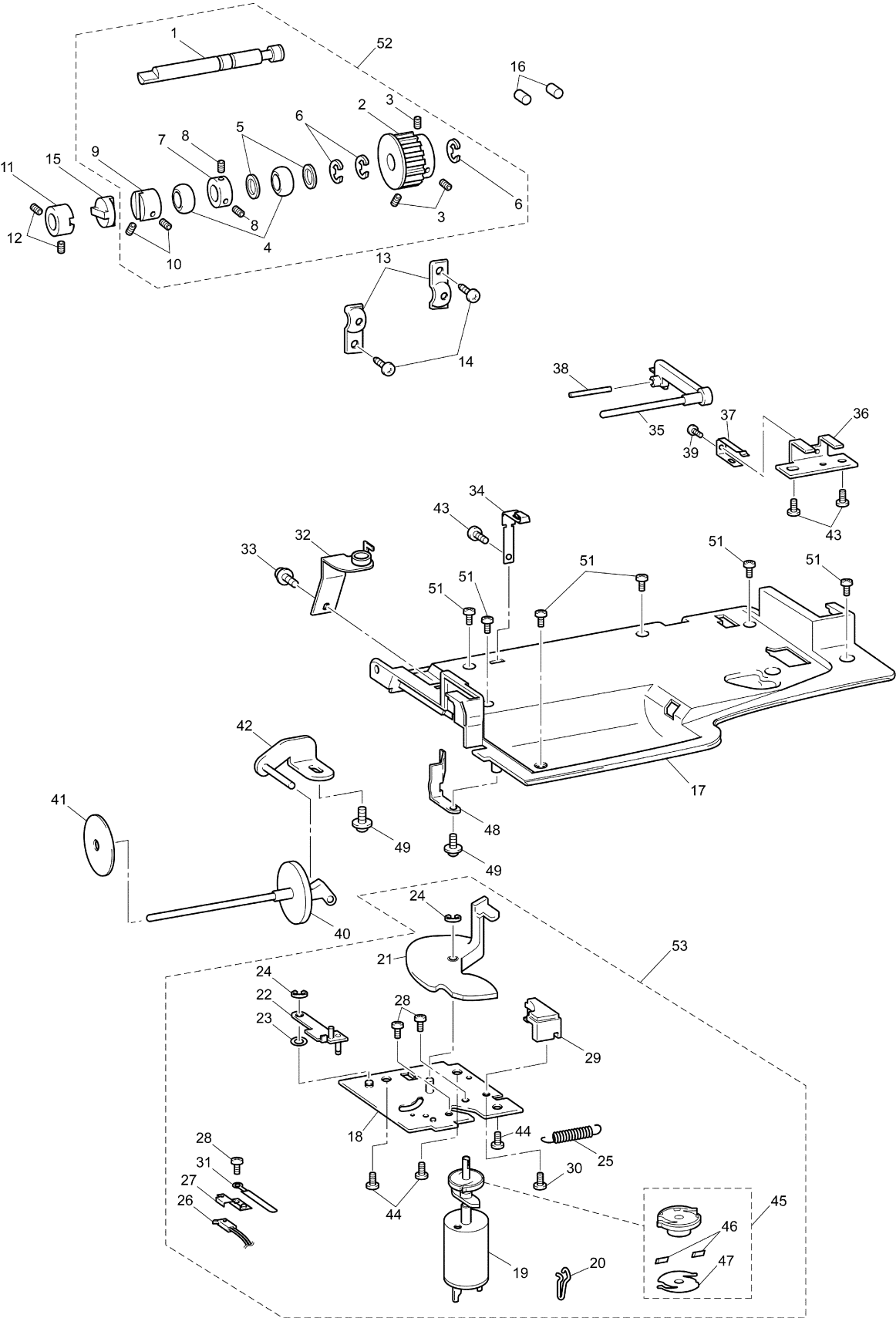
(2) UPPER SHAFT / NEEDLE BAR, PRESSER MECHANISM



(3) FEED, ROTARY HOOK / SIDE FEED / THREAD CUTTING MECHANISM



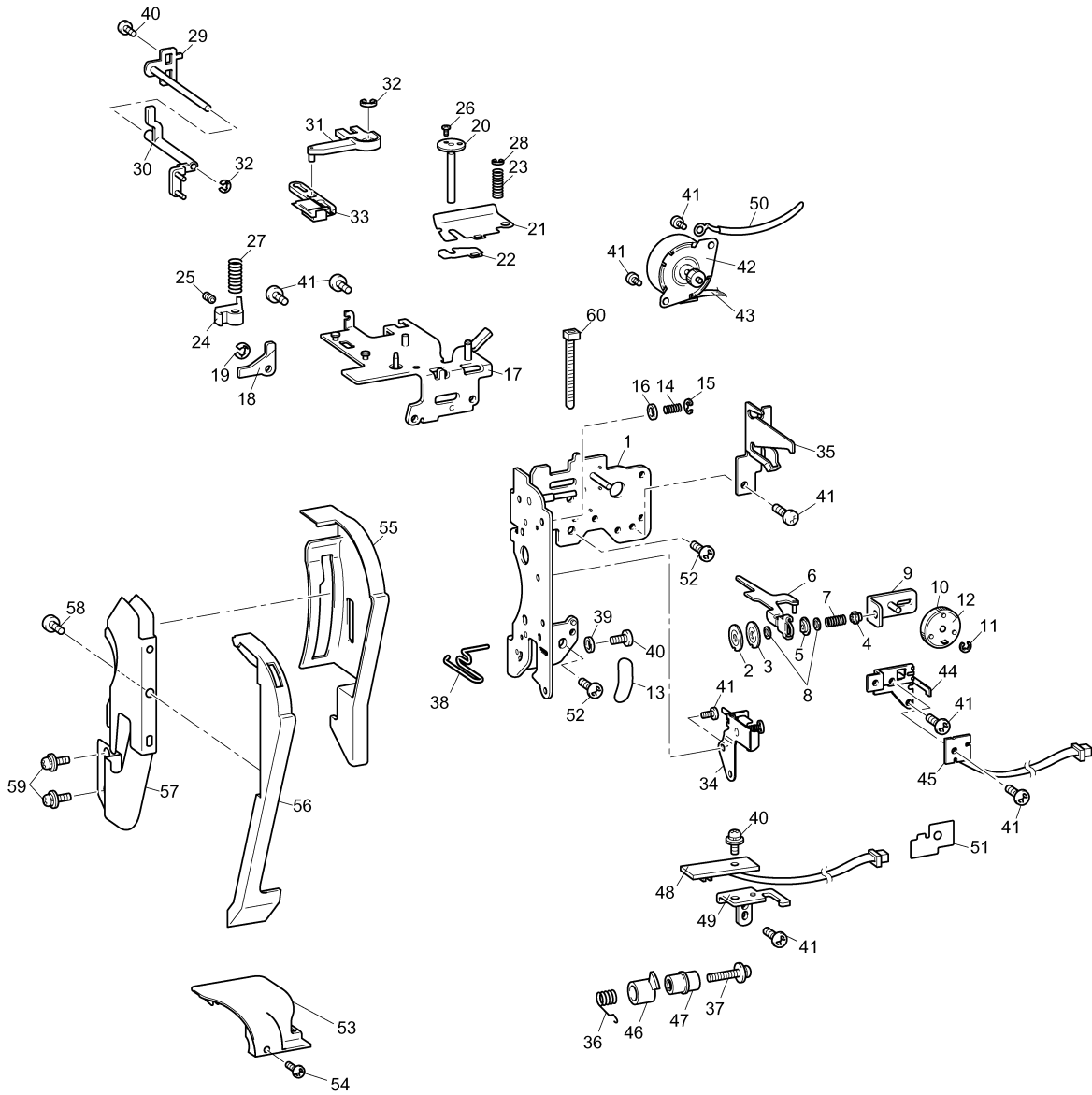
(4) ROTARY HOOK DRIVE / BOBBIN WINDER MECHANISM



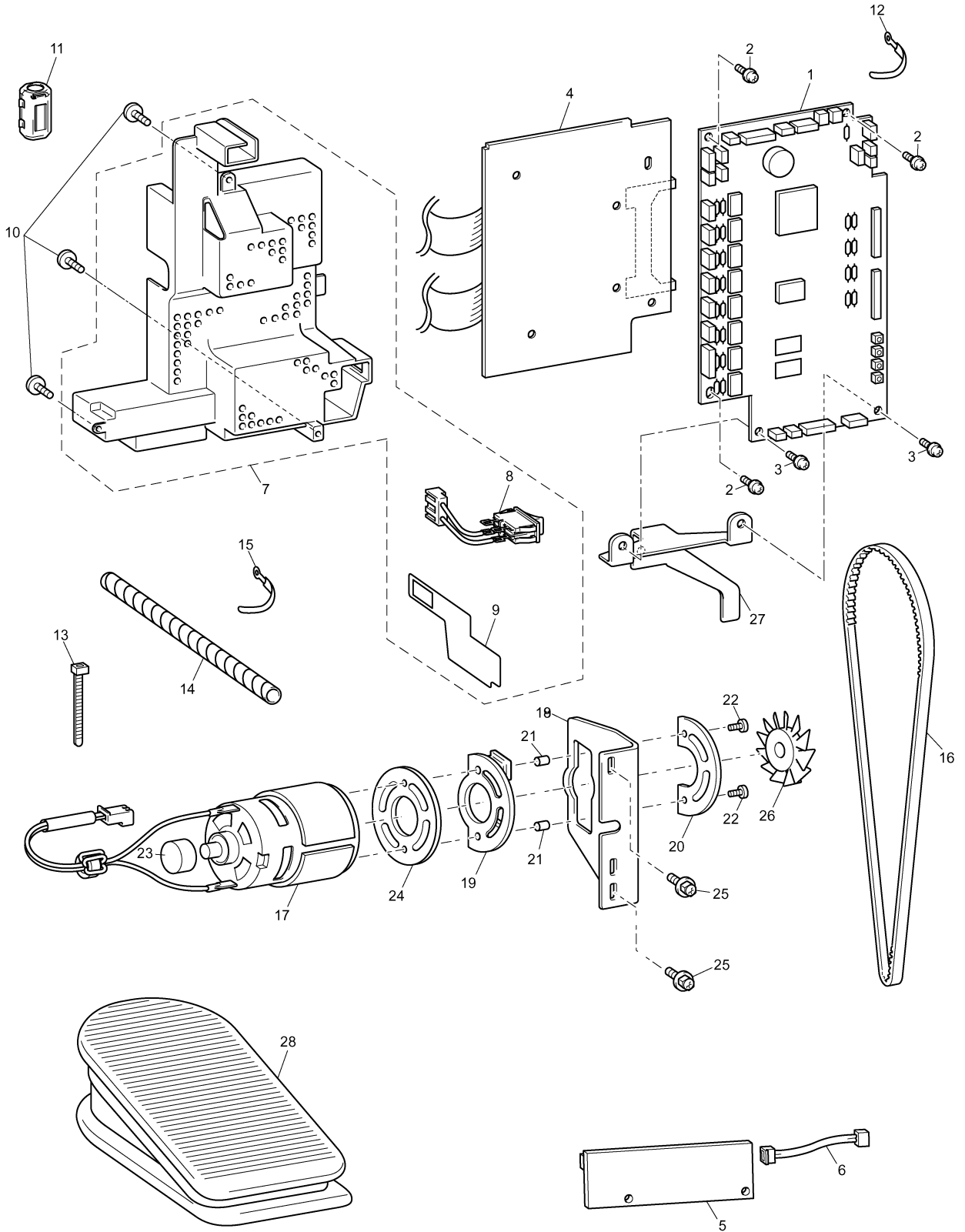
(5) THREAD GUIDE MECHANISM

No.	CODE	NAME	REMARKS	No.	CODE	NAME	REMARKS
1	XC9442151	THREAD GUARD ASSEMBLY		45	XC8260051	ASSY:AT INIT PCB	
2	XA0083151	TENSION DISC A	1000006407	46	X58316051	THREAD CUTTING SHUTTER	
3	XC2626151	TENSION DISC B	1000006407	47	XA9585151	THREAD CATCHING SPRING CASE	
4	XC3437051	TENSION ADJUSTING SCREW		48	XC8262051	ASSY:UPTHREAD PCB	
5	XA1388051	TENSION DISC WASHER		49	XC7934051	THREAD SENSOR HOLDER	
6	XC9444151	DISK WASHER HOLDER	060061	50	137947001	CLIP	
7	XA9900051	THREAD TENSION SPRING		51	XC9271051	INSULATION SHEET FOR TGPM	
8	XD0573051	WASHER		52	085411015	TAPTITE BIND B M4X10	
9	XA9562051	TENSION PLATE ASSY		53	XC9458152	FRONT THREAD GUARD COVER	
10	XC7922050	THREAD TENSION CAM		54	0A5300606	SCREW PAN (S/P WASHER) M3X6	
11	048030346	RETAINING RING E3	1000001451	55	XC9460151	THREAD GUIDE COVER	
12	XC7923051	THREAD TENSION GEAR COVER		56	XC9463151	THREAD GUIDE COVER	
13	XA9935050	SPRING TAPE		57	XC9466151	THREAD GUIDE	
14	X57605051	SPRING		58	138433051	TAPTITE,PAN B M3X6	
15	048020346	RETAINING RING E2	1000001451	59	052300606	SCREW, PAN (S/P WASHER) M3X6	
16	026030136	WASHER PLAIN S 3		60	X53169050	BAND	
17	XC9446151	TENSION RELEASE HOLDER ASSY	1000009259				
18	XA9571051	TENSION RELEASER LINK					
19	048030346	RETAINING RING E3	1000001451				
20	XC2638151	TENSION PRESSURE ASSY	050279				
21	XC9115151	TENSION PLATE	060140				
22	XC7927151	SPACER	060140				
23	XA9577051	SPRING					
24	XC2640051	TENSION RELEASE CAM					
25	012300432	SET SCREW SOCKET (FT) M3X4					
26	X57363051	POWER LOCK 2X3					
27	X57605051	SPRING					
28	048020346	RETAINING RING E2	1000001451				
29	XC9450051	LINK A SHAFT PLATE ASSY					
30	XC9453051	THREAD GUIDE SHUTTER LINK A					
31	XC9454051	THREAD GUIDE SHUTTER LINK B					
32	048030346	RETAINING RING E3	1000001451				
33	XC9456151	THREAD GUIDE SHUTTER					
34	XC2644051	PLATE ASSEMBLY					
35	XC7928051	THREAD GUIDE					
36	XZ0386151	THREAD TAKE UP SPRING	1000010489				
37	0A4301806	SCREW, PAN (S/P WASHE) M3X18					
38	XC7931050	THREAD GUIDE WIRE					
39	XA9996051	WASHER,PLAIN					
40	XC7564051	SCREW, PAN(S/P WASHER)M3X6					
41	060300416	SCREW BIND M3X4					
42	XC8258051	ASSY:AT PULSE MOTOR					
43	XC9515051	LEAD WIRE ASSY ATPM D6M					
44	XC7933051	ATPM SENSOR PLATE					

(5) THREAD GUIDE MECHANISM



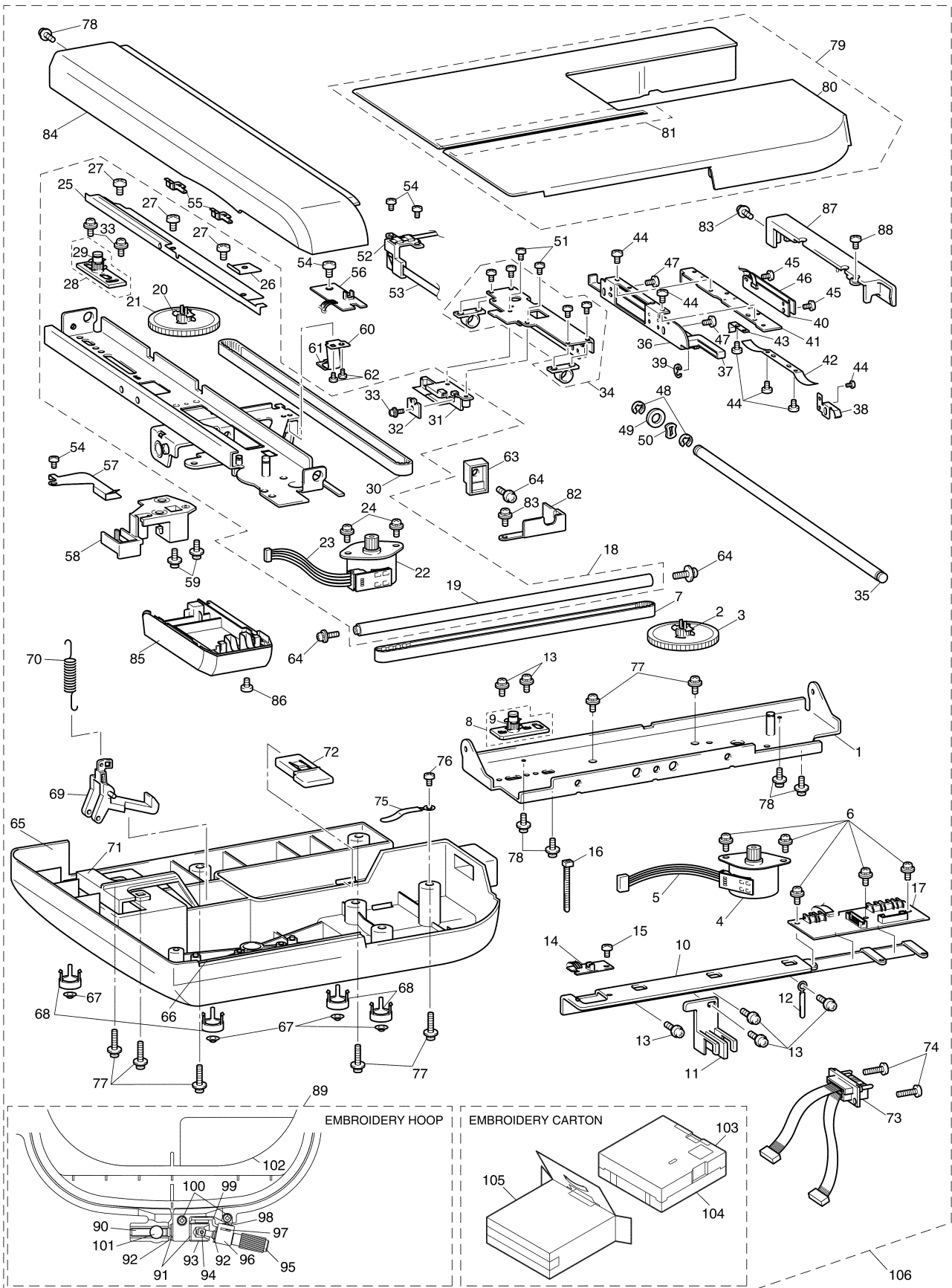
(6) ELECTRONIC PARTS / MOTOR UNIT



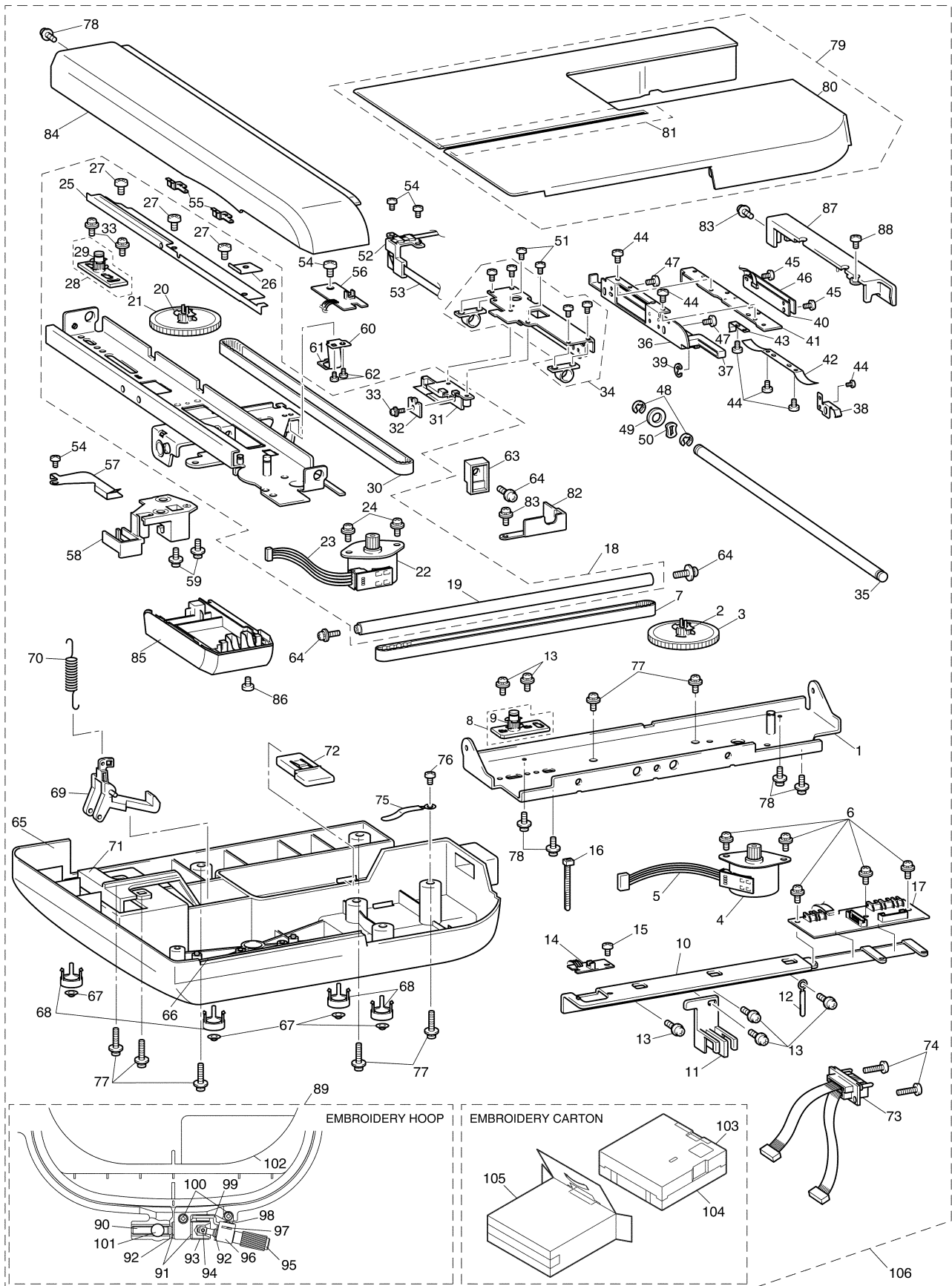
(7) EMBROIDERY UNIT

No.	CODE	NAME	REMARKS	No.	CODE	NAME	REMARKS
1	XC8035051	MAIN FRAME SUD ASSY		46	XC8859051	INSULATOR SHEET	
2	XC8038050	DRIVING PULLEY		47	060400616	SCREW BIND M4X6	
3	XC8039050	DRIVING GEAR		48	XC8080051	STOP RING 10.69	
4	XC8298051	ASSY:XY PULSE MOTOR		49	XC8081051	WASHER	
5	XC8299051	ASSY:XPM LEAD WIRE		50	XC8082050	WASHER,SPRING 12	
6	XA8390051	SCREW		51	085301017	TAPTITE BIND P M3X10	
7	XC8041051	TIMING BELT 40S2M530		52	XC8084050	FFC SUPPORT	
8	XC8042051	TENSION PULLEY ASSY		53	XC8310051	FLEXIBLE FLAT CABLE:SML2CD-6	
9	XC8045050	TENSION PULLEY		54	060300616	SCREW BIND M3X6	
10	XC8046051	X GUIDE PLATE		55	XC8085050	CORD CLIP	
11	XC8047050	E CODE SUPPORTER		56	XC8311051	ASSY:Y SENSOR PCB	
12	T31049001	COATING CLIP CS-6		57	XC8086050	CODE GRIP	
13	XC7566051	SCREW, PAN(S/P WASHER)M4X8		58	XC8087051	X SLIDER	
14	XC8300051	ASSY:X SENSOR PCB		59	XC7566051	SCREW, PAN(S/P WASHER)M4X8	
15	060300616	SCREW BIND M3X6		60	XC8898051	X GUIDE SHAFT PRESSER PLATE	
16	X53169050	BAND		61	XC8899050	X GUIDE SHAFT PRESSER	
17	XC9539051	EMB RELAY PCB ASSY D6M		62	060300416	SCREW BIND M3X4	
18	XC9473051	X CARRIAGE UNIT		63	XC8088051	X BELT PRESSER	
19	XC8050051	X GUIDE SHAFT	1000017176	64	XC7566051	SCREW, PAN(S/P WASHER)M4X8	
20	XC8038050	DRIVING PULLEY		65	XC7697051	ES BASE COVER	
21	XC8039050	DRIVING GEAR		66	XC8093051	GROOVE COVER	
22	XC8298051	ASSY:XY PULSE MOTOR		67	X59853050	RUBBER CUSHION	
23	XC8306051	ASSY:YPM LEAD WIRE		68	XC8094051	RUBBER CUSHION COVER	
24	XA8390051	SCREW		69	XC8095051	LOCK FINGER	
25	XC9478050	FFC CODE GUIDE		70	XC8096051	SPRING	
26	XC8586050	FFC CODE SUPPORTER		71	XC8097051	LOCK RELEASE LEVER	
27	060300616	SCREW BIND M3X6		72	XC9486051	DROP TRIGGER	
28	XC8042051	TENSION PULLEY ASSY		73	XC9540051	LEAD WIRE ASSY EMB UNIT D6M	
29	XC8045050	TENSION PULLEY		74	085301616	TAPTITE BIND P M3X16	060075
30	XC9479051	TIMING BELT 40S2M660		75	T31049001	COATING CLIP CS-6	
31	XC8061051	Y SLIDER		76	085300815	TAPTITE BIND P M3X8	
32	XC8062051	YT BELT PRESSER PLATE		77	087411416	TAPTITE CUP B M4X14	
33	XC7566051	SCREW, PAN(S/P WASHER)M4X8		78	XC7566051	SCREW, PAN(S/P WASHER)M4X8	
34	XC8065151	Y CARRIAGE ASSY	1000006517	79	XC9487052	ES MAIN COVER ASSY	
35	XC9482051	Y GUIDE SHAFT		80	XC9488052	ES MAIN COVER	
36	XC8070151	E HOOP STAY PLATE SUB ASSY		81	XC8093051	GROOVE COVER	
37	XC8074051	E HOOP LOCK LEVER		82	XC8112251	XC SUB COVER	1000008655
38	XC8075051	E HOOP LOCK LEVER SPRING		83	XA8390051	SCREW	
39	048040346	RETAINING RING E4	1000001451	84	XC9490052	X CARRIAGE COVER	
40	XC8307051	ASSY:FRAME PCB		85	XC9492051	YPM COVER	
41	XC8076051	E HOOP PRESSURE PLATE		86	085301017	TAPTITE BIND P M3X10	
42	XC8077051	E HOOP PRESSURE SPRING A		87	XC8089151	E HOOP STAY COVER	1000006517
43	XC8079051	E HOOP PRESSURE SPRING C		88	060300416	SCREW BIND M3X4	
44	060300416	SCREW BIND M3X4		89	XC8137051	EMBROIDERY HOOP ASSY 130D6	
45	XA8390051	SCREW		90	XC8118051	THUMB SCREW	

(7) EMBROIDERY UNIT



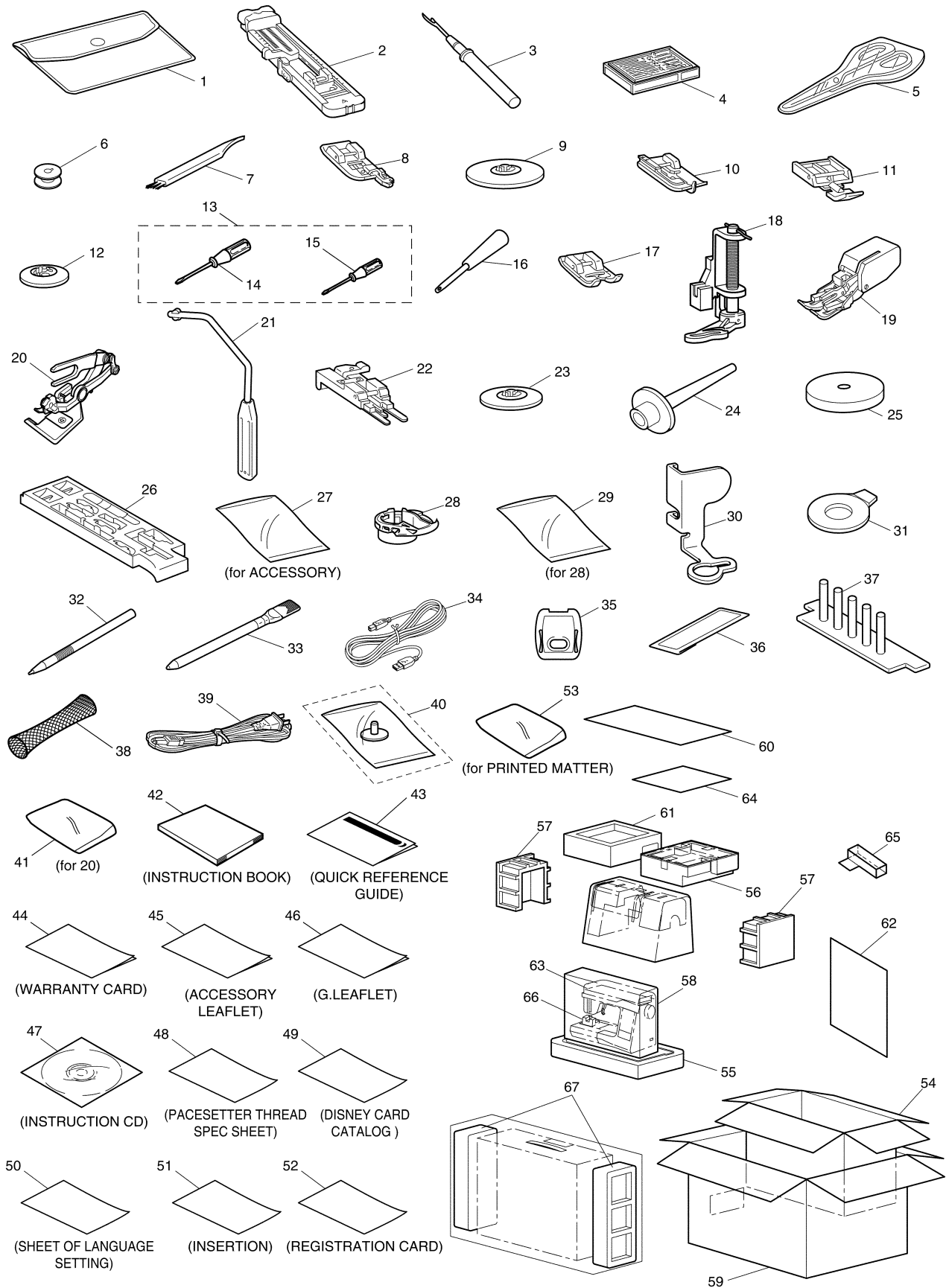
(7) EMBROIDERY UNIT



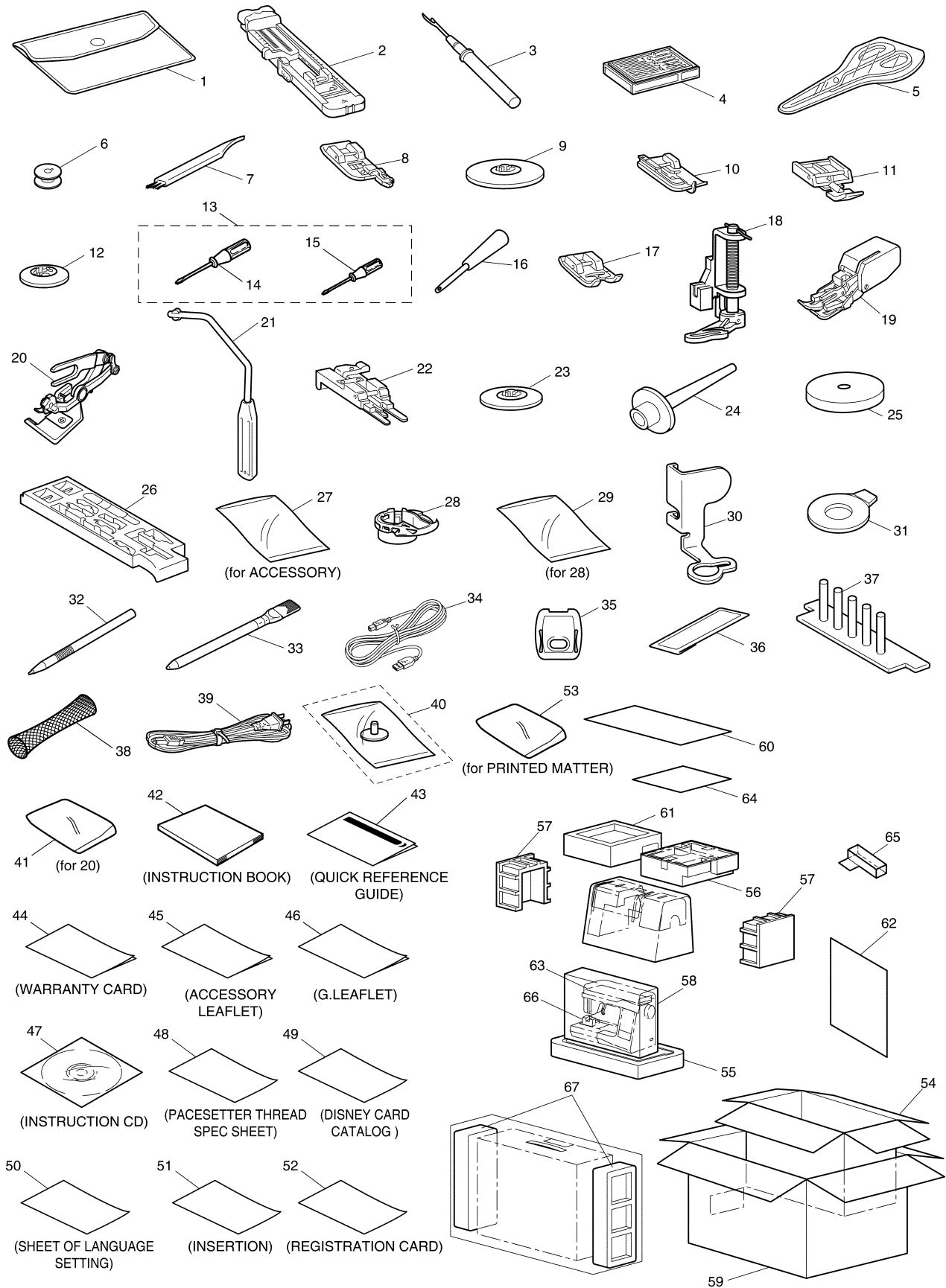
(8) ATTACHMENTS / PACKING MATERIALS / PRINTED MATTER

No.	CODE	NAME	REMARKS	No.	CODE	NAME	REMARKS
ATTACHMENTS				PRINTED MATTER			
1	XC4487021	ACCESSORY BAG		39	XE3210001	POWER SUPPLY CORD: BRZ (BRA)	1000004287
2	X57789151	BH PRESSER FOOT			XD0225051	POWER SUPPLY CORD: TWN (TWN)	1000004240
3	X54243051	SEAM RIPPER		40	XC8661251	BOBBIN GUIDE SET (U.S.A., BRA, TWN)	1000009362
4	X58358051	Z NEEDLE ASSY			XD0897151	BOBBIN GUIDE SET (CAN)	1000009362
5	XC1807121	SCISSORS		41	XZ0126051	BAG, 140X150C	
6	X52800150	BOBBIN		PRINTED MATTER			
7	X59476051	CLEANING BRUSH		42	XD0550051	INSTRUCTION BOOK ENG	
8	XC3098051	OVERCASTING STITCH FOOT ASSY			XD0551051	INSTRUCTION BOOK FRA	
9	130012054	SPOOL PRESSER A			XD0552051	INSTRUCTION BOOK GER	
10	X56409051	BLIND STITCH FOOT ASSY			XD0553051	INSTRUCTION BOOK DUT	
11	X59370051	ZIPPER FOOT			XD0554051	INSTRUCTION BOOK SPA	
12	130013154	SPOOL PRESSER B			XD0555051	INSTRUCTION BOOK ITA	
13	XE0243001	SCREW DRIVER ASSY	060020		XD0823051	INSTRUCTION BOOK RUS	
14	XC8349021	SCREW DRIVER	1000013436		XE3370001	INSTRUCTION BOOK (TAIWAN)	1000004240
15	X55468021	SCREW DRIVER S	1000013436		XE4533001	INSTRUCTION BOOK BR	1000007560
16	135793001	PUNCH			XD0537051	INSTRUCTION BOOK: DISNEY (NV1500D)	
17	X53840351	TRANSPARENCY PRESSER FOOT		43	XD0556051	QUICK REFERENCE GUIDE	
18	XA4322001	QUILTING FOOT			XD1487051	QUICK REFERENCE GUIDE NORDIC (DEN, NEU)	050239
19	XE0054201	WALKING FOOT ASSY H 7MM	1000000446	44	XC8945051	WARRANTY CARD T (U.S.A.)	
20	XC3198101	SIDE CUTTER ASSY	1000009333		UH3851001	WARRANTY CARD EUR (GER, U.K., FRA, ITA, SWI, IRE, EEU)	1000016851
21	XA6941052	KNEE LIFTER LEVER ASSY			XC6402051	WARRANTY CARD UK (U.K.)	
22	130489001	BUTTONING FOOT			XE5609101	WARRANTY CARD 5YEARS ITA	1000013378
23	X55260153	SPOOL PRESSER C			LW3135001	CEE WARRANTY CARD (EEU)	1000016851
24	XC8619051	EXTRA SPOOL PIN			XE4547001	WARRANTY CARD BR HEM (BRA)	1000007560
25	X57045051	SPOOL FELT			XE2010001	WARRANTY CARD BROTHER CANADA	1000001038
26	XC4489051	ACCESSORY TRAY			XE5572001	WARRANTY CARD BROTHER RUS	1000010023
27	XA0188050	BAG			XE5652001	WARRANTY CARD BROTHER ARG	1000011223
28	XC8167551	INNER ROTARY HOOK ASSY	1000017150	45	XE6297001	ACCESSORY LEAFLET 4	1000013826
29	XC6909050	PE BAG 90X100		46	XE3822001	G.LEAFLET NO.1-78	1000005808
30	XD0313051	U PRESSER FOOT			X81264051	G.LEAFLET NO.24 (OTHER)	1000005808
31	XC1074051	DISC-SHAPED SCREWDRIVER	1000011717	47	XE1344101	INSTRUCTION CD (DEN, NEU)	1000004662
32	XA9940051	TOUCH PEN		48	XD0576051	EMBROIDERY THREAD CATALOG	
33	184944001	CHALK PEN		49	XE3823001	DISNEY CARD CATALOG NO.1-24	1000005808
34	XD0745051	USB I/F CORE CABLE		50	XD0794051	SHEET OF LANGUAGE SETTING D6M	
35	XA9939051	NEEDLE PLATE COVER		51	XE2761001	INSERTION	1000004662
36	X59296151	TWIN NEEDLE (1PC)			XE3485001	INSERTION (DEN, NEU, U.K., FRA)	1000004662
37	XC9399051	BOBBIN HOLDER			XE3487001	INSERTION (NV1500: GER, FRA, ITA, IRE, SPA, SWI, EEU)	
38	XA5523050	NET			XD0256151	INSERTION WEEE	1000002031
39	XC6052051	POWER SUPPLY CORD: UL CSA-LF (U.S.A, CAN, CHI)			XC1625051	BOUQUET INSERTION (U.S.A., CAN, BRA)	1000005808
	XA0070151	POWER SUPPLY CORD (OTHER)		52	XE5611001	REGISTRATION CARD ITA	1000010089
	X59354151	POWER SUPPLY CORD -BS (U.K., IRE)		53	130800021	BAG, 230X310H	1000011228
	XC9548051	POWER SUPPLY CORD: SAA-LF (AUS)					
	XD0111151	POWER SUPPLY CORD: IRAM (ARG)	1000008314				

(8) ATTACHMENTS / PACKING MATERIALS / PRINTED MATTER



(8) ATTACHMENTS / PACKING MATERIALS / PRINTED MATTER



NEEDLE-PRESSER MODULE

No.	CODE	NAME	REMARKS	No.	CODE	NAME	REMARKS
1	XC8275051	UPPER SHAFT HOLDER ASSY		45	018301032	BOLT SOCKET M3X10	1000001471
2	XC7568051	SCREW, PAN (S/P WASHER) M4X14		46	XC2748021	SPRING-Z	
3	XC2398020	SHAFT BUSHING A		47	XC7802051	NEEDLE HOLDER BROCK	
4	XC2399021	PRESSER BAR BUSHING		48	XC2437021	SHAFT ASSY	
5	136681051	TAPTITE, BIND B M3X8		49	XC8374051	SHAFT	
6	XC5362050	PLATE SPRING		50	014300532	SET SCREW SOCKET (CP) M3X5	
7	XC7784051	THREAD TAKE-UP COUNTER WEIGHT		51	XC2441021	SPRING	
8	012500532	SET SCREW SOCKET (FT) M5X5		52	XC6239151	THREAD TAKE-UP LEVER ASSY	1000006969
9	XC7785051	UNIT SHAFT		53	XC2443020	THREAD TAKE-UP LEVER LINK	
10	131976050	WASHER, THRUST		54	XC7806051	PRESSER BAR	
11	048080343	RETAINING RING E8	1000001451	55	048050346	RETAINING RING E5	1000001451
12	XC9415351	NEEDLE BAR SUPPORTER ASSY		56	XC7807051	PRESSER BAR CLAMP ASSY	
13	XC9422151	HOOK RELEASE PLATE		57	014501032	SET SCREW SOCKET (CP) M5X10	1000001471
14	060260516	SCREW BIND M2.6X5		58	XC7810051	SPRING	
15	XC3446051	RELEASE LEVER		59	XC7811050	PRESSER FOOT RACK	
16	XC3447051	RELEASE LEVER SHAFT		60	XC3015051	PRESSER FEED HOLDER ASSY	
17	XC3448051	RELEASE LEVER SPRING		61	XA4813051	SCREW	1000004379
18	137977051	POLYESTER SLIDER		62	XC3021051	Z FOOT	
19	0A2300606	SCREW PAN (P WASHER) M3X6		63	XC7812051	PRESSER FOOT LIFTER	
20	XC2417021	SPRING		64	XC2452051	PRESSER LIFT SHAFT	
21	XD1549251	THREADER HOOK ASSY	1000017223	65	XC7813051	SPRING	
22	XD1546051	LINK A ASSY		66	048040346	RETAINING RING E4	1000001451
23	XD1548151	LINK B	1000009134	67	XC2453051	LEVER GUIDE SHAFT	
24	XC9613151	THREAD GUIDE ASSY	1000001978	68	XC9427051	LEVER A ASSY	
25	XC2419021	SHAFT		69	XC9430051	LEVER B	
26	000020416	SCREW BIND M2X4	1000016096	70	XC9618051	CAP	
27	XC2420050	SHAFT		71	XC9431051	TORSION SPRING	
28	XD1488051	PLATE	050228	72	048025346	RETAINING RING E2.5	1000001451
29	060300516	SCREW BIND M3X5		73	XC2461021	SPRING	
30	XC7799151	NEEDLE BAR		74	XC7817051	LEVER SUPPORTER PLATE	
31	XE0011104	NEEDLE BAR THREAD GUIDE Q	1000016793	75	138433051	TAPTITE, PAN B M3X6	
32	X53053052	SCREW SM2.38		76	XC7787051	BH SWITCH ASSY	
33	XC2426020	NEEDLE THREAD PLATE		77	XZ0149051	TAPTITE, PAN B 4X12	
34	XC2427051	NEEDLE BLOCK		78	XC7818150	Z ZIGZAG CAM	
35	XZ0388251	NEEDLE CLAMP SCREW	1000010409	79	XC7819051	Z ZIGZAG LEVER ASSY	
36	014401232	SET SCREW SOCKET (CP) M4X12		80	XC2480020	Z LEVER CUP	
37	X56851051	LOCK NUT		81	XC9547051	LEAD WIRE ASSY ZPM D6M	
38	XC2429021	SPRING		82	X59629051	TAPTITE, BIND B M3X10	
39	XC6300251	NEEDLE BAR CRANK ROD ASSY	1000005717	83	XC2483020	T CAM	
40	132051052	SCREW, FLAT SM3.57-40X7 L		84	XC7822051	TENSION RELEASE ROD ASSY	
41	012500532	SET SCREW SOCKET (FT) M5X5		85	XC5985051	THREAD RELEASE LEVER ASSY D6	
42	XC2434021	NEEDLE THREAD BLOCK		86	XC9432051	ADJUSTING PLATE ASSY	
43	012400432	SET SCREW SOCKET (FT) M4X4		87	XC9434051	SWITCH LEVER	
44	XC2435050	ZIGZAG ADJUSTING NUT	1000003453	88	XC9435051	SPRING	

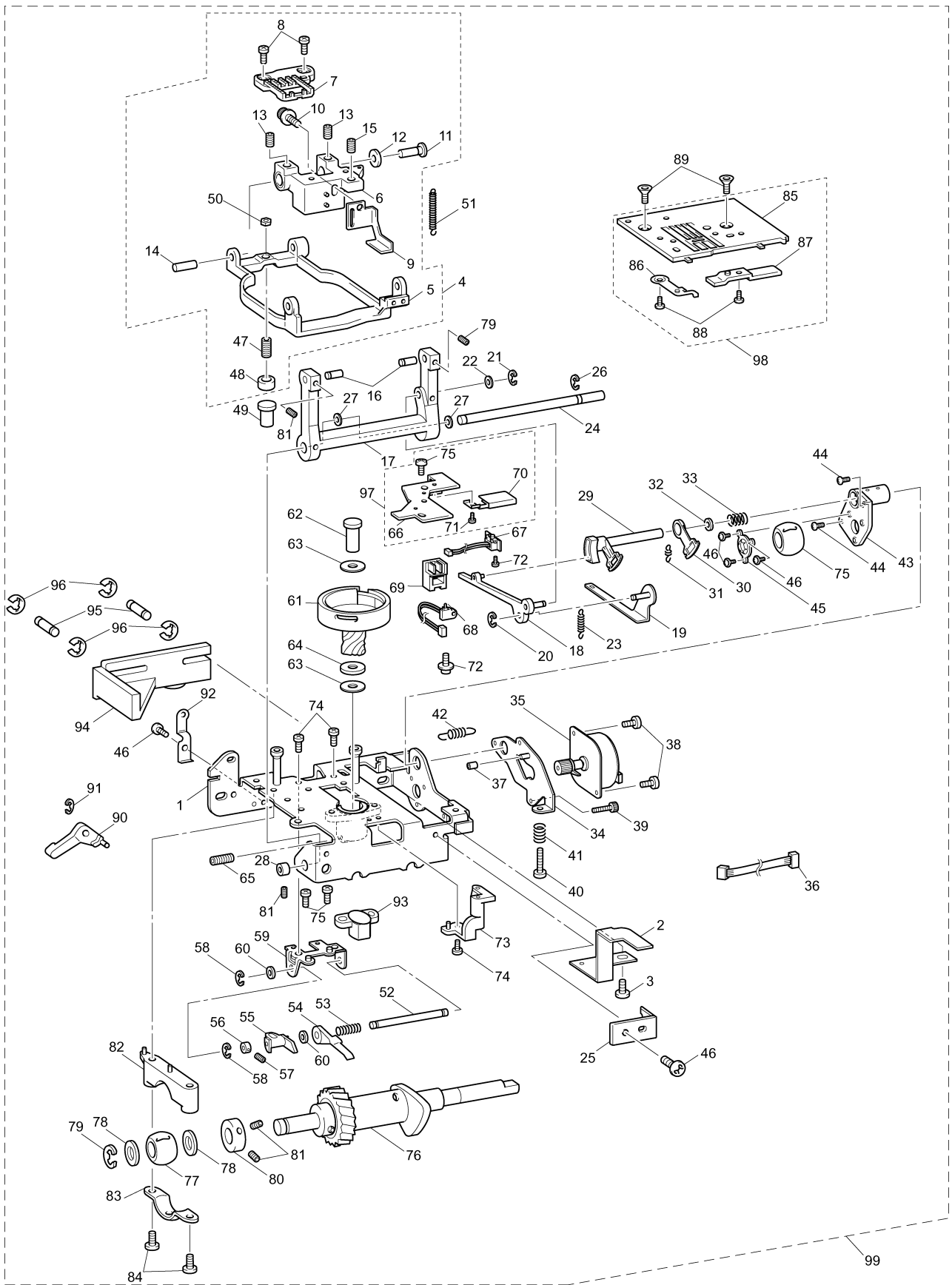
NEEDLE-PRESSER MODULE

No.	CODE	NAME	REMARKS	No.	CODE	NAME	REMARKS
89	XC2641051	PRESSER SWITCH HOLDER		133	XA0362051	WASHER	1000006969
90	XC9514051	PF SWITCH ASSY D6M		134	XD0604050	SPRING GUARD	
91	060300416	SCREW BIND M3X4		135	XC9616051	SPRING	ADD
92	048030346	RETAINING RING E3	1000001451				
93	085411015	TAPTITE BIND B M4X10		136	XC9931751	NEEDLE UNIT SUPPLY ASSY (OTHER)	1000005717
94	XC3037051	SCREW3X10			XC9931752	NEEDLE UNIT SUPPLY ASSY (U.S.A., CAN)	1000005717
95	XC2475051	SHAFT		437	XE0012104	NEEDLE THREAD GUIDE SPRING	1000016793
96	048020346	RETAINING RING E2	1000001451	138	XE5658001	UPPER UNIT SUPPORT PLATE	1000010057
97	XC9436051	THREAD GUIDE PLATE		139	XE7727001	N/B THREAD GUIDE SUPPLY ASSY	1000016793
98	XC7827151	PRESSER DIAL	1000006969				
99	XC8372151	PRESSER DIAL SHAFT ASSY	1000006969				
100	XC7828051	PT HOLDER ASSEMBLY					
101	XA6493051	PT LEVER					
102	012300632	SET SCREW SOCKET (FT) M3X6					
103	XA1894051	SPRING					
104	026060235	WASHER PLAIN M 6					
105	X52569001	NUT					
106	136681051	TAPTITE, BIND B M3X8					
107	XC7830050	PRESSER DIAL GEAR					
108	XC7831151	PRESSER PM HOLDER					
109	XC8228051	ASSY: PF PULSE MOTOR					
110	XC8678051	ZPM INSULATION ASSY					
111	XC9512051	LEAD WIRE ASSY PFPM D6M					
112	060400616	SCREW BIND M4X6					
113	XC8230051	ASSY: ATPF INIT PCB					
114	060300616	SCREW BIND M3X6					
115	XC7644051	SCREW, PAM (S/P WASHER) M3X5					
116	XZ0155051	POLYESTER SLIDER	1000009533				
117	XC6241251	RELEASE PLATE ASSY	1000006838				
118	XC6245151	NEEDLE BAR HOOK STAND ASSY	1000008635				
119	XC6251051	RELEASE GUIDE PLATE					
120	XD1489051	SPRING	050228				
121	XC6253150	RELEASE ADJUSTER	1000011626				
122	XC4433051	SCREW, PAN (T WASHER) M3X6					
123	XC6254051	NEEDLE BAR PRESSER SPRING					
124	XC6255050	WASHER, THRUST					
125	XC7832051	ADJUST PLATE					
126	060260516	SCREW BIND M2.6X5					
127	X53169050	BAND					
128	XA1860150	WASHER					
129	XC9437051	NEEDLE THREADER SWITCH LEVER					
130	XC9438051	SWITCH BASE PLATE					
131	XC9513051	THREADER LEVER SWITCH ASSY					
132	103810052	WASHER, WAVE SPRING					

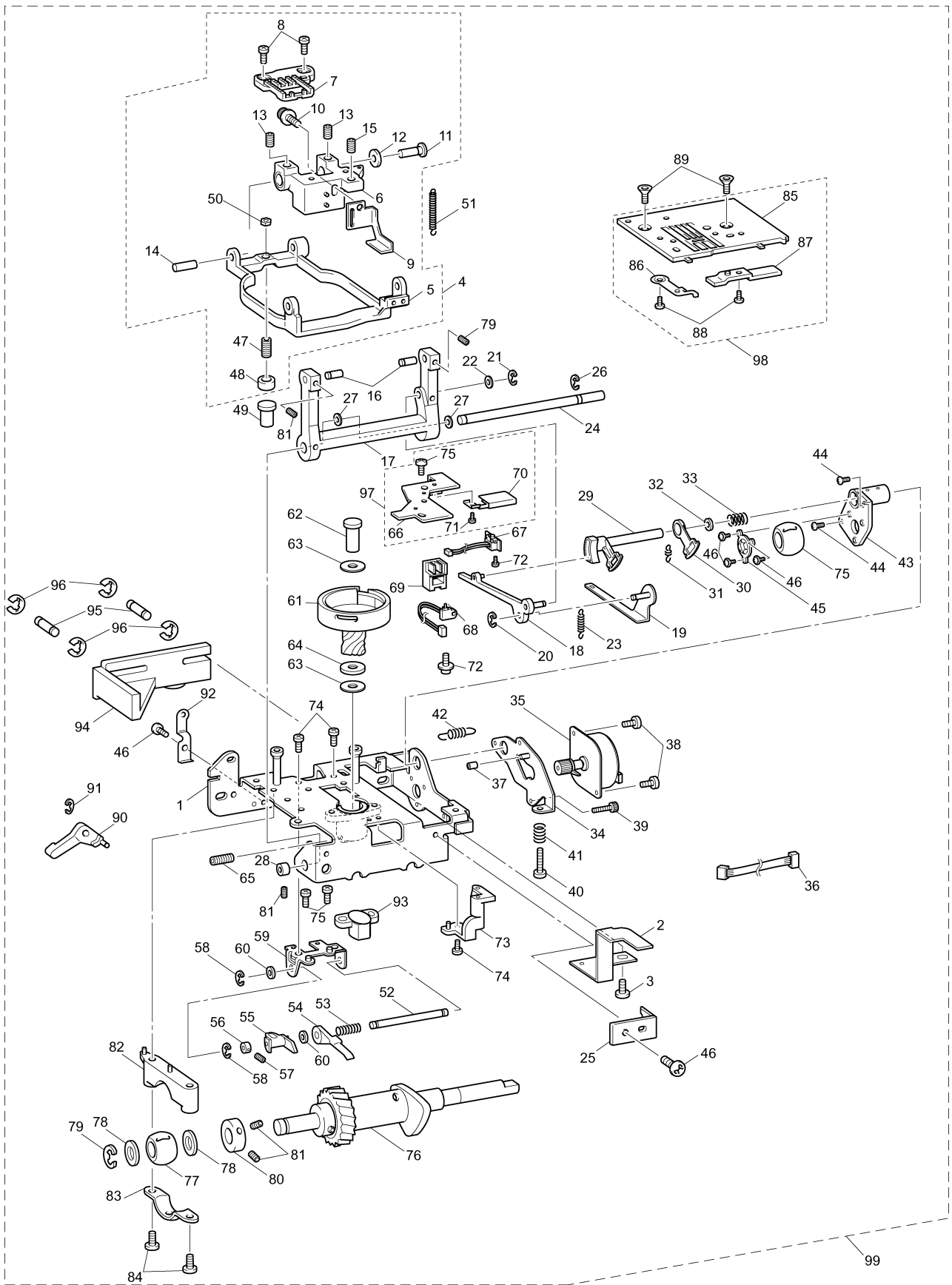
FEED MODULE

No.	CODE	NAME	REMARKS	No.	CODE	NAME	REMARKS
1	XC7638151	BASE PLATE		45	XC2542021	BUSHING PRESSER B	
2	XC7837051	F GEAR STOPPER PLATE		46	060300516	SCREW BIND M3X5	
3	060400416	SCREW, BIND M4X4		47	012401032	SET SCREW SOCKET (FT) M4X10	
4	XC7841151	FEED BAR ASSY		48	XC7853150	CAP	
5	XC7842151	FEED BAR		49	XC7854051	VERTICAL ROD	
6	XC8530051	FEED DOG BASE ASSY		50	X56851051	LOCK NUT	
7	XC7846351	FEED DOG	1000005789	51	XZ0385051	SPRING	
8	060300616	SCREW BIND M3X6		52	XC8361051	VERTICAL FEED SHAFT	
9	XC7847051	FEED DOG CORRECTION PLATE		53	XC7856051	SPRING	
10	XC3338051	SCREW3X8	050231	54	XC7857050	FEED DOG CORRECTION LEVER	
11	XC7848051	FEED DOG BASE SHAFT A		55	XC7858250	VERTICAL LEVER	1000013633
12	137999050	POLYESTER SLIDER		56	XC2552051	SET SCREW COLLAR	
13	014400432	SET SCREW SOCKET (CP) M4X4		57	014400432	SET SCREW SOCKET (CP) M4X4	
14	XC7849051	FEED DOG BASE SHAFT B		58	048030346	RETAINING RING E3	1000001451
15	012400432	SET SCREW SOCKET (FT) M4X4		59	XC7859051	VERTICAL SUPPORTING PLATE	
16	XC2512051	FEED BAR SHAFT A		60	137713050	POLYESTER SLIDER	
17	XC8337021	FEED ARM A		61	XC2210051	OUTER ROTALY HOOK ASSY	
18	XC2517021	FEED ARM B ASSY		62	XC2230051	OUTER ROTARY HOOK SHAFT	
19	XC2521021	FEED SUPPORTING PLATE ASSY		63	137805052	SPACER	
20	048020346	RETAINING RING E2	1000001451	64	137976051	WASHER 6	
21	048030346	RETAINING RING E3	1000001451	65	014400632	SET SCREW SOCKET (CP) M4X6	
22	137999050	POLYESTER SLIDER		66	XC8406351	INNER ROTARY HOOK BRACKET ASSY	1000017150
23	XC9277051	SPRING		67	XC8350051	PHOTO DIODE HOLDER ASSY	
24	XC7835051	HORIZONTAL FEED SHAFT		68	XC8240051	ASSY:PLTSW D6	
25	XC8195051	SHAFT STOPPER PLATE		69	XC7865150	NEEDLE PLATE SW HOLDER	
26	048050346	RETAINING RING E5	1000001451	70	XC7866351	CORD HOLDER	1000012334
27	X50546050	WASHER,THRUST		71	060260316	SCREW BIND M2.6X3	
28	130676151	SET SCREW COLLAR		72	000020416	SCREW BIND M2X4	1000016096
29	XC2527121	FEED ADJUSTER	1000000154	73	XE5384001	STOPPER PLATE BLOCK ASSY	1000009215
30	XC2529020	F GEAR		74	060400516	SCREW BIND M4X5	
31	XC2530021	SPRING		75	060300816	SCREW BIND M3X8	
32	137713050	POLYESTER SLIDER		76	XC7867051	LOWER SHAFT B ASSY	
33	XC2531021	SPRING		77	X52664050	LOWER SHAFT BUSHING	
34	XZ0397051	FPM HOLDER ASSY		78	X51383050	WASHER,THRUST	
35	XC9759051	FPM INSULATION ASSY		79	048060346	RETAINING RING E6	1000001451
36	XC8236051	ASSY:FPM LEAD WIRE		80	137768151	SET SCREW COLLAR	
37	XC2587050	RUBBER		81	014400432	SET SCREW SOCKET (CP) M4X4	
38	060300516	SCREW BIND M3X5		82	XC2566021	BUSHING SUPPORTER A	
39	XC3338051	SCREW3X8	050231	83	XC2567021	BUSHING PRESSER A	
40	018402532	BOLT SOCKET M4X25	1000008615	84	060401616	SCREW BIND M4X16	
41	XC2537021	SPRING		85	XC7872151	NEEDLE PLATE A	
42	XC2538021	SPRING		86	XC2570121	STOPPER PLATE	050293
43	XC2539021	BUSHING SUPPORTER ASSY		87	XC7873151	STOPPER PLATE	1000010090
44	060400616	SCREW BIND M4X6		88	060260316	SCREW BIND M2.6X3	

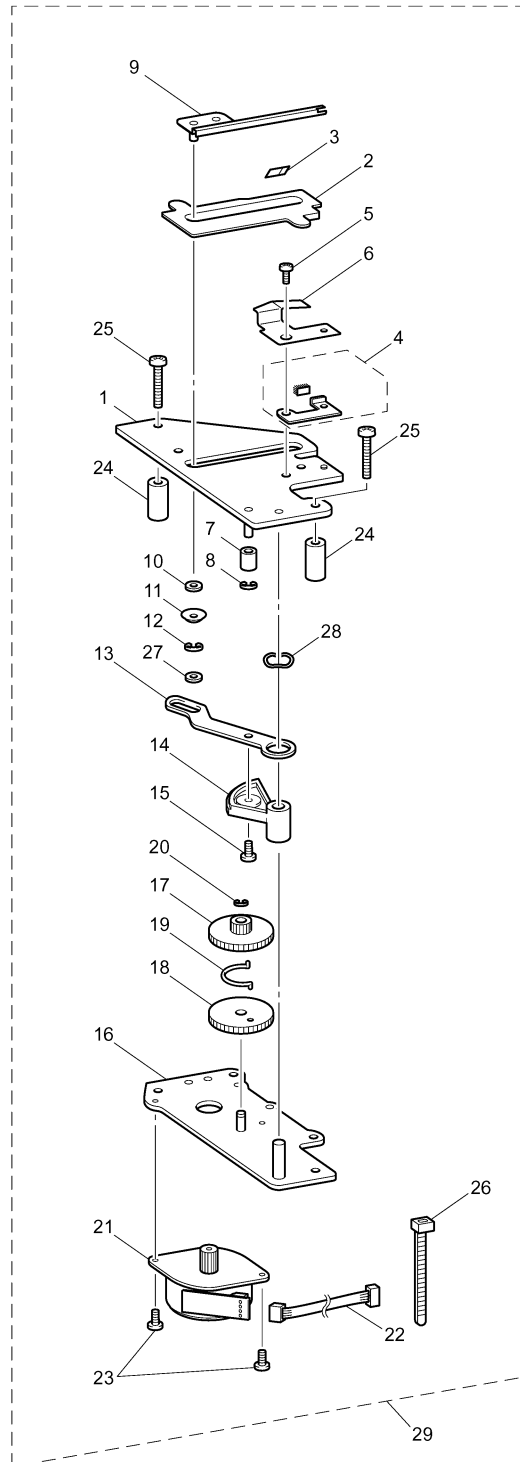
FEED MODULE



FEED MODULE



THREAD CUTTER MODULE



brother®

NV1500D/NV1500
05G05HF882U70

07. 2005.
01. 2010.