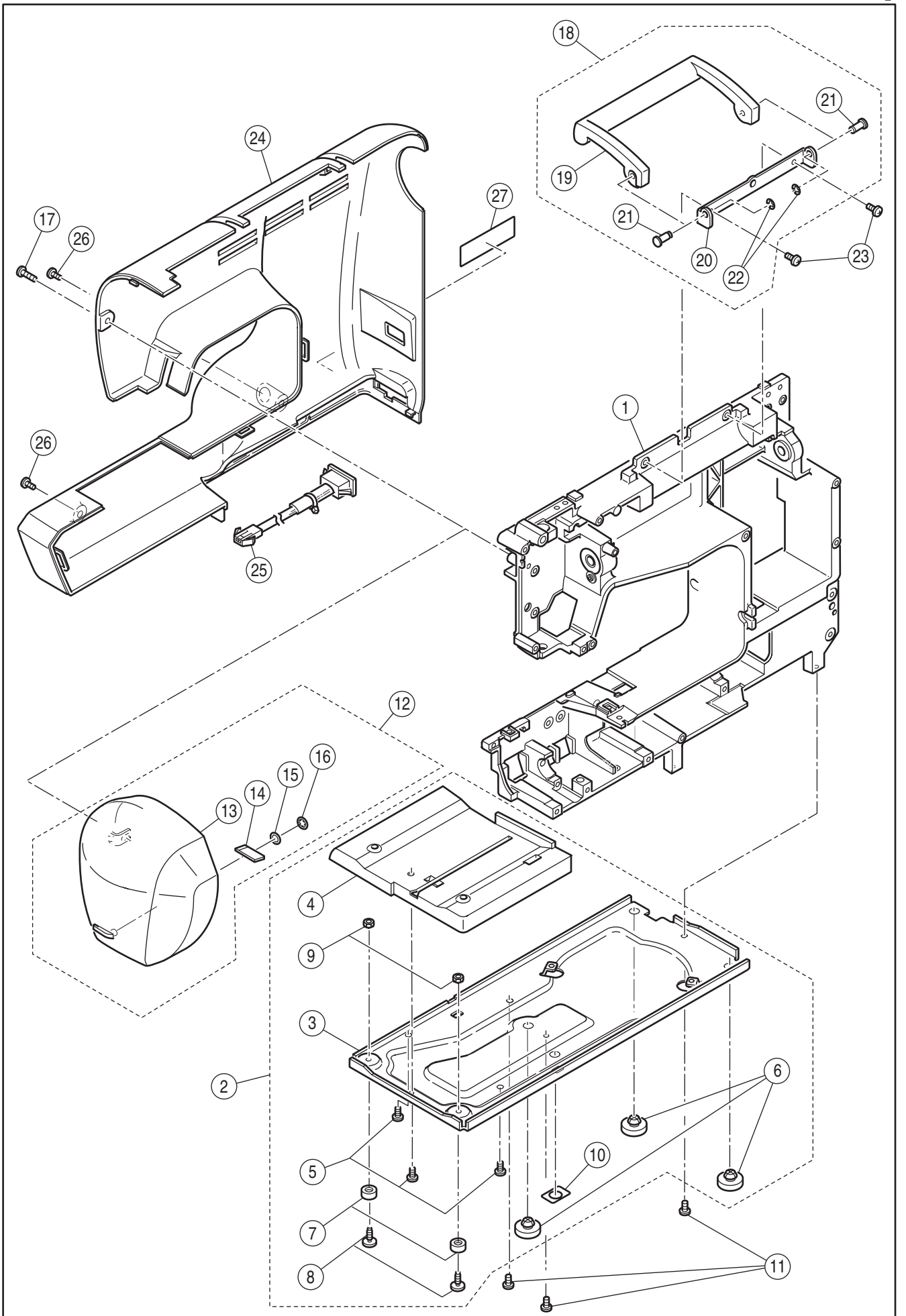

SPARE PARTS LIST

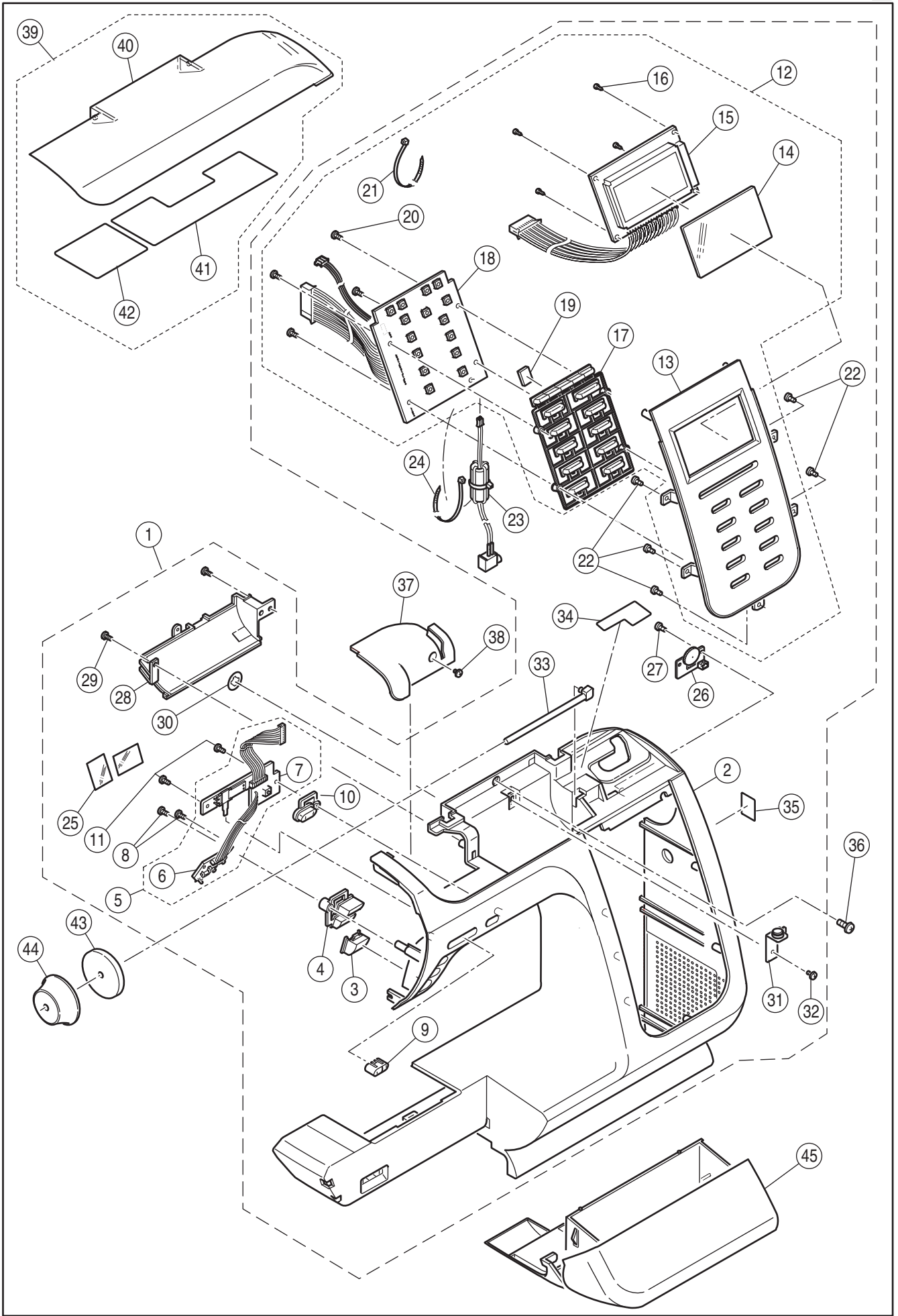
N424E

MODEL N424E

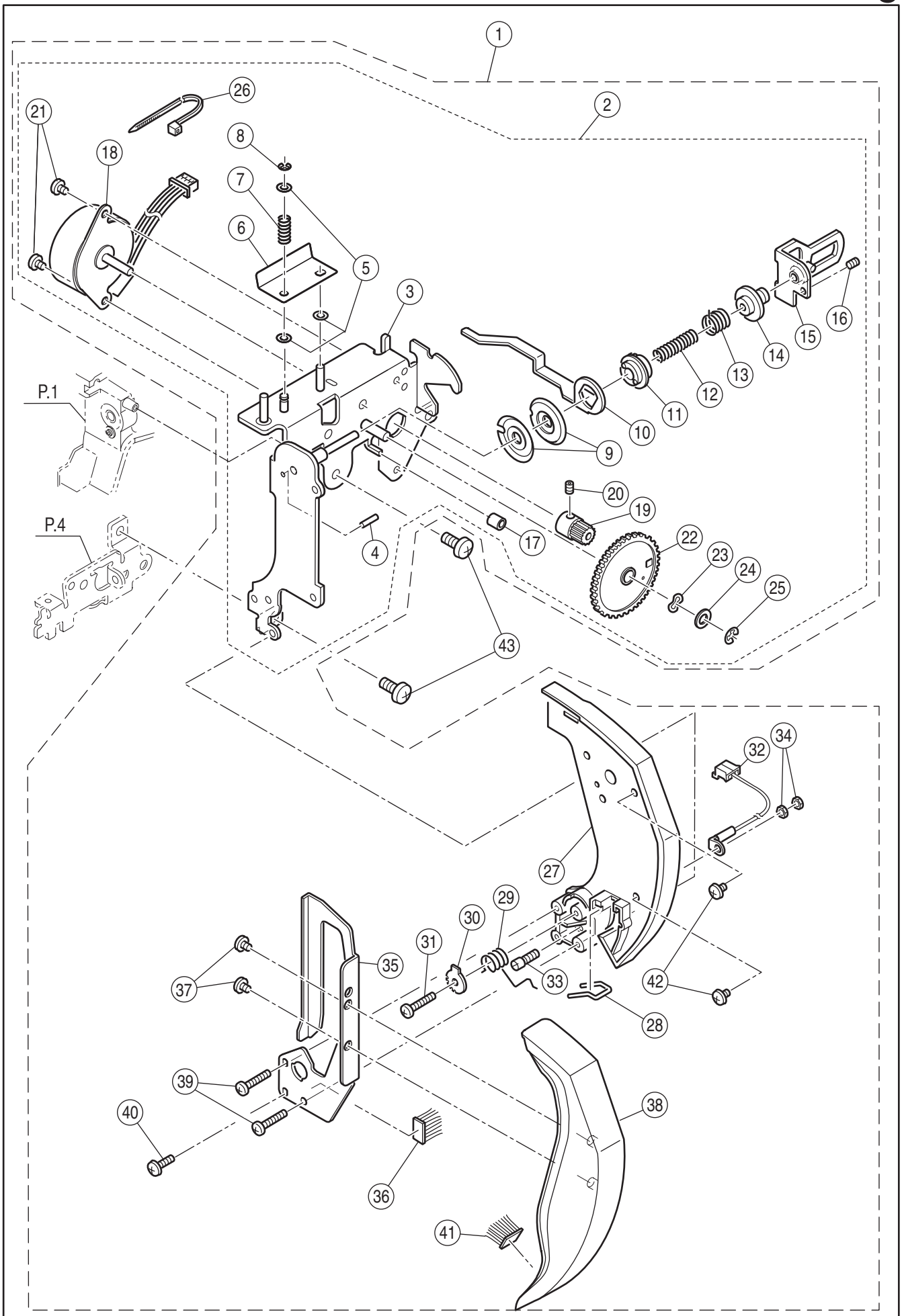
Apr.11.2014
HAPPY INDUSTRIAL CORP.



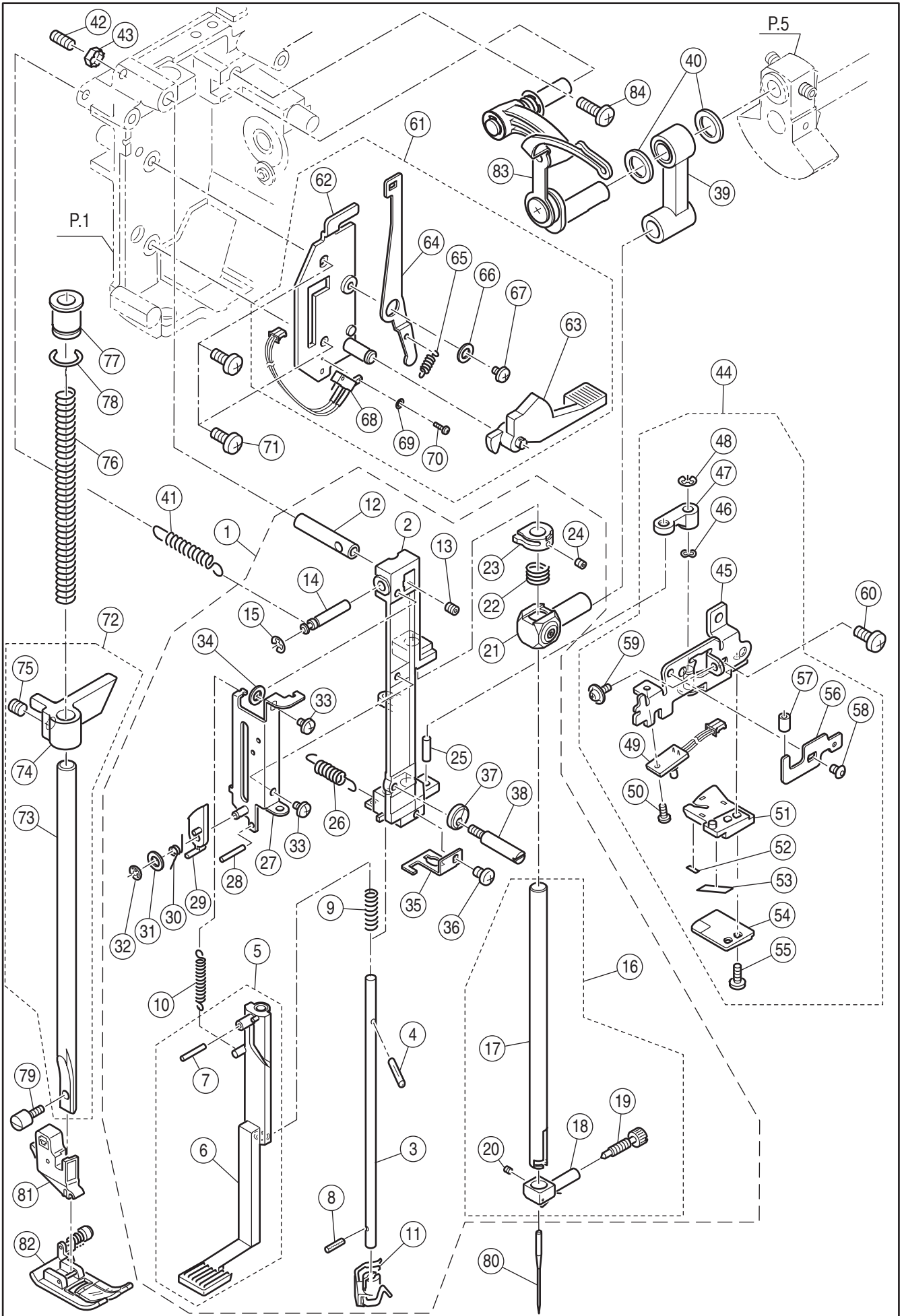
| Ref No | Part No | Part Name |
|--------|---------|--------------------------------|
| 1 | 34390 | Machine Frame |
| 2 | 33131-2 | Base Assy.(Incl.3-10) |
| 3 | 32753 | Base |
| 4 | 32754 | Base Cover |
| 5 | S61041 | Set Screw |
| 6 | 32755 | Rubber Foot (A) |
| 7 | 32756 | Rubber Foot (B) |
| 8 | S32757 | Rubber Foot Adjusting Screw |
| 9 | N91648 | Adjustable Lock Nut |
| 10 | 33323 | Guide Plate for Stitch Balance |
| 11 | S31293 | Set Screw |
| 12 | 33522 | Face Plate Assy. (Incl.13-16) |
| 13 | 33523 | Face Plate |
| 14 | 31967 | Thread Cutter |
| 15 | 30134 | Polyslider |
| 16 | N12772 | Push Nut |
| 17 | S10706 | Set Screw |
| 18 | 32758 | Handle Assy. (Incl.19-22) |
| 19 | 32759 | Handle |
| 20 | 32760 | Handle Bracket |
| 21 | 32761 | Handle Fulcrum Pin |
| 22 | 04993 | Snap Ring |
| 23 | S31293 | Set Screw |
| 24 | 33126 | Rear Cover |
| 25 | 33089 | Terminal Box Assy. |
| 26 | S90810 | Set Screw |
| 27 | 33959-4 | Electrical Rating Label |



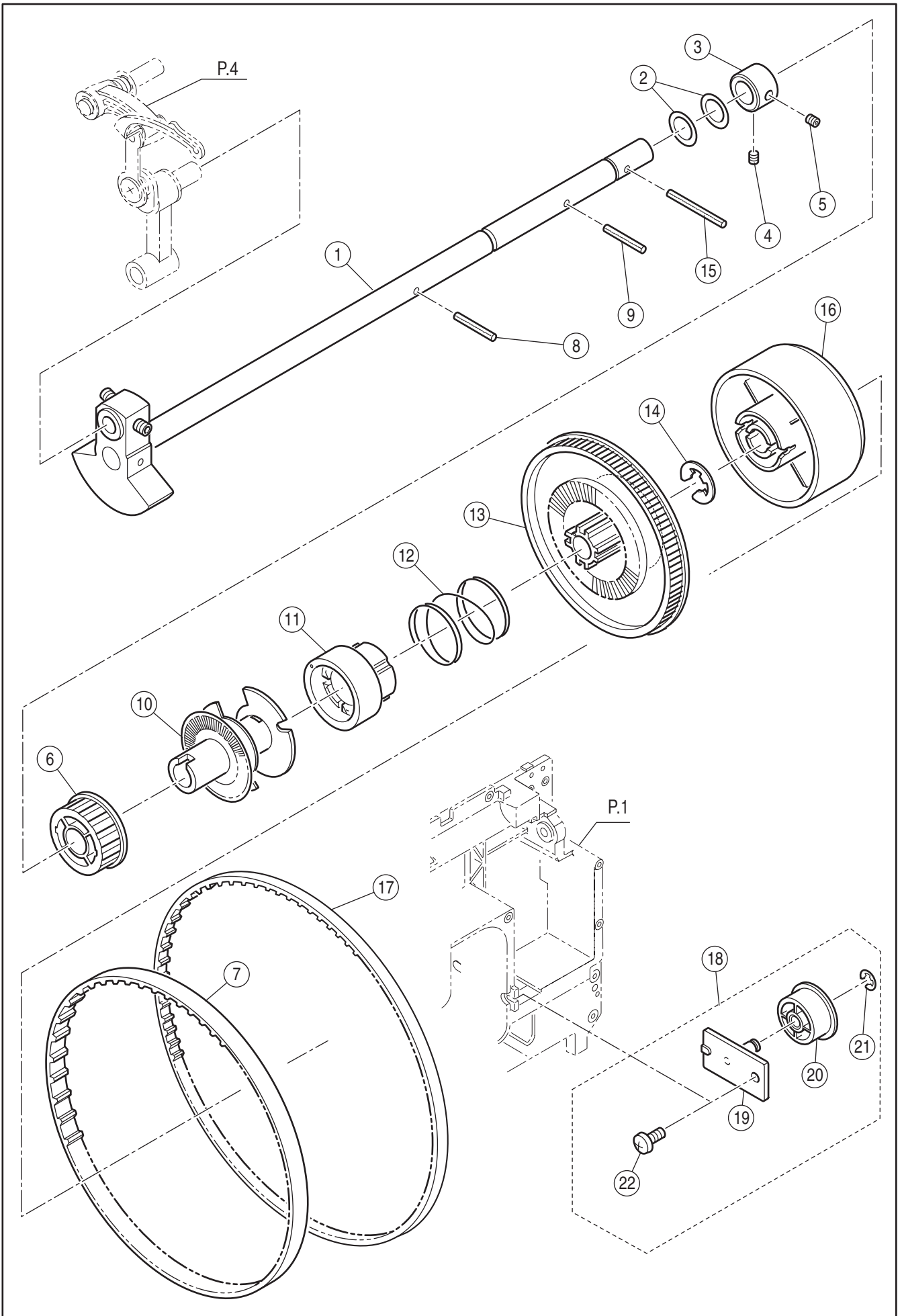
| Ref No | Part No | Part Name |
|--------|----------|--|
| 1 | 34833-5 | Front Cover Assy.(Incl.2-35) |
| 2 | 34842-6 | Front Cover |
| 3 | 34102-2 | Start/Stop Button |
| 4 | 32734-4 | Reverse/Quick Slow Key-Top |
| 5 | 33581 | Circuit Boards(Incl.6-7) |
| 6 | 32766 | Switch Board Assy. |
| 7 | 32767 | Speed Control Board Assy. |
| 8 | S31244 | Set Screw |
| 9 | 32736 | Speed Control Button |
| 10 | 32735 | Needle Up/Down Button |
| 11 | S31244 | Set Screw |
| 12 | 33813-E | Control Panel Assy.(Incl.13-21) |
| 13 | 33525-2 | Control Panel |
| 14 | 33032 | L.C.D.Window |
| 15 | 33117 | L.C.D. Cover Assy. |
| 16 | S31438 | Set Screw |
| 17 | 33526 | Control Panel Key-top |
| 18 | 33805 | Display Board Assy. |
| 19 | 33806 | Key-top Spacer |
| 20 | S31244 | Set Screw |
| 21 | 11380 | Cord Band |
| 22 | S31244 | Set Screw |
| 23 | 33171 | Controller Cord Assy. Jack 1/8 femmina |
| 24 | 11380-2 | Cord Band |
| 25 | 31599 | Filament Tape |
| 26 | 33086 | Contrast Control Board Assy. |
| 27 | S31244 | Set Screw |
| 28 | 33530 | Spool Holder |
| 29 | S31244 | Set Screw |
| 30 | N31418 | Push Nut |
| 31 | 32770 | Bobbin Winder Thread Guide Assy. |
| 32 | S31584 | Set Screw |
| 33 | 32737 | Spool Stand |
| 34 | 32983-2 | Bobbin Winder Sticker |
| 35 | 34392 | Emboidry Unit Connect Sticker |
| 36 | S31841 | Set Screw |
| 37 | 33290 | Thread Tension Cover |
| 38 | S31584 | Set Screw |
| 39 | 33795-10 | Flap Assy.(Incl.40-42) |
| 40 | 33529-9 | Flap |
| 41 | 33796-5 | Pattern Chart Label |
| 42 | 33857-4 | Pattern Chart Label |
| 43 | 33521 | Felt Washer |
| 44 | 30074 | Thread Cap |
| 45 | 32762 | Extension Table Assy. |



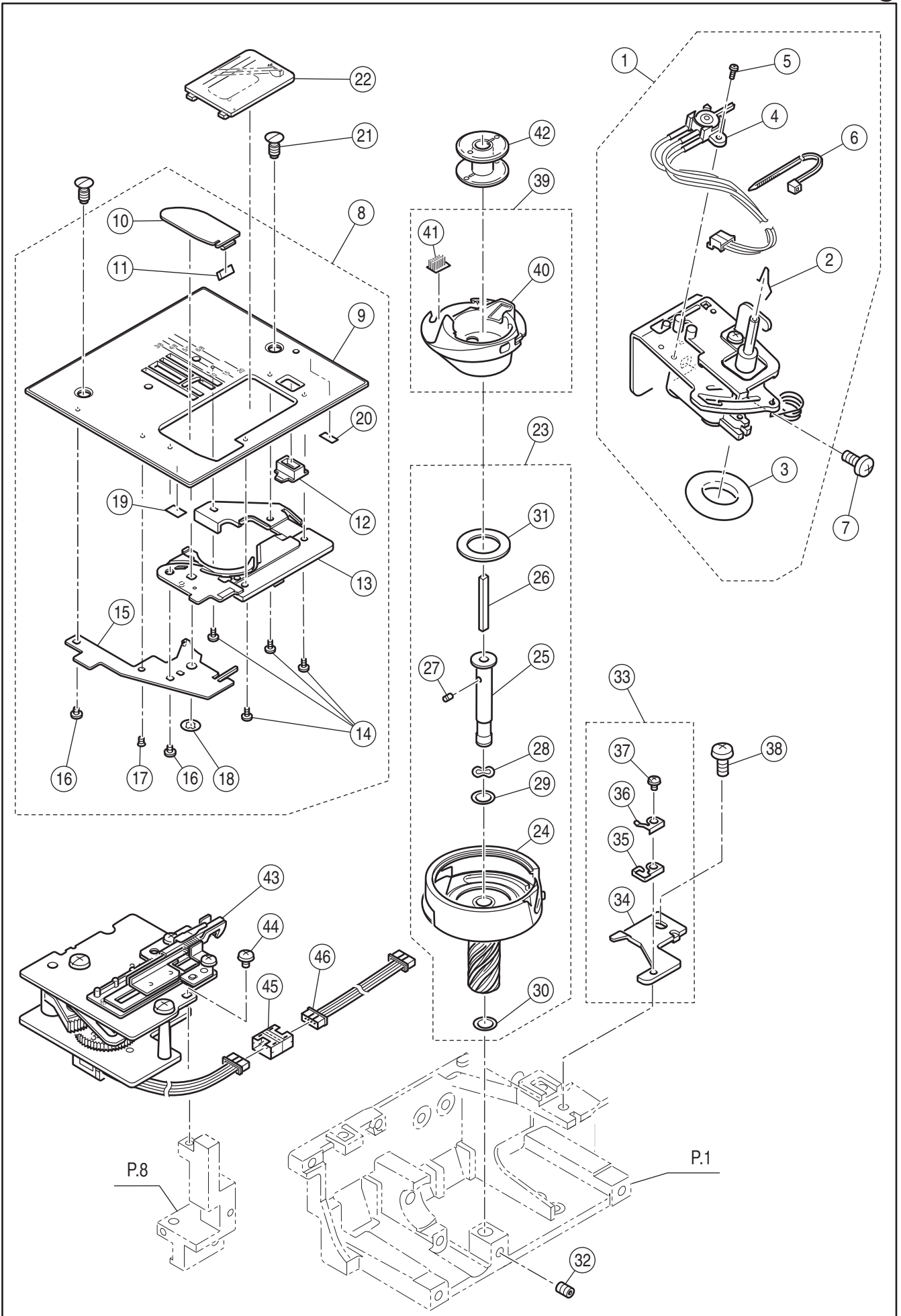
| Ref No | Part No | Part Name |
|--------|---------|--|
| 1 | 34574 | Thread Tension Regulator Unit(Incl.2-42) |
| 2 | 33281 | Thread Tension Assy.(Incl.3-26) |
| 3 | 33282 | Thread Tension Base Assy. |
| 4 | 30261-1 | Spring Pin |
| 5 | 32944 | Polyslider |
| 6 | 32787 | Pre-Tension Plate |
| 7 | 32788 | Pre-Tension Spring |
| 8 | 60018 | Snap Ring |
| 9 | 30928 | Thread Tension Disc |
| 10 | 32775 | Thread Tension Releasing Plate |
| 11 | 30154 | Tension Collar |
| 12 | 33465 | Thread Tension Support Spring |
| 13 | 33283 | Thread Tension Spring |
| 14 | 32777 | Tension Regulating Screw |
| 15 | 33284 | Thread Tension Plate Assy. |
| 16 | S30587 | Set Screw |
| 17 | 33466 | Rubber Cushion |
| 18 | 33288 | Tension Release Pulse Motor |
| 19 | 32911 | Z Pulse Motor Gear |
| 20 | S33374 | Set Screw |
| 21 | S30695 | Set Screw |
| 22 | 33285 | Thread Tension Cam |
| 23 | 12487 | Wave Washer |
| 24 | 03438 | Washer |
| 25 | 07221 | Snap Ring |
| 26 | 11380 | Cord Band |
| 27 | 34575 | Thread Guide Cover |
| 28 | 33278 | Thread Guide |
| 29 | 33335 | Thread Check Spring |
| 30 | 32783 | Check Spring Adjust Plate |
| 31 | S11431 | Set Screw |
| 32 | LD232 | Thread Check Spring Cord |
| 33 | 33432 | Thread Check Spring Shaft |
| 34 | N13189 | Nut |
| 35 | 33277 | Take Up Lever Guide Bracket |
| 36 | 33163 | Brush |
| 37 | S61043 | Set Screw |
| 38 | 33528 | Thread Take Up Lever Cover |
| 39 | S11431 | Set Screw |
| 40 | S30271 | Set Screw |
| 41 | 34295 | Brush |
| 42 | S12786 | Set Screw |
| 43 | S02812 | Set Screw |



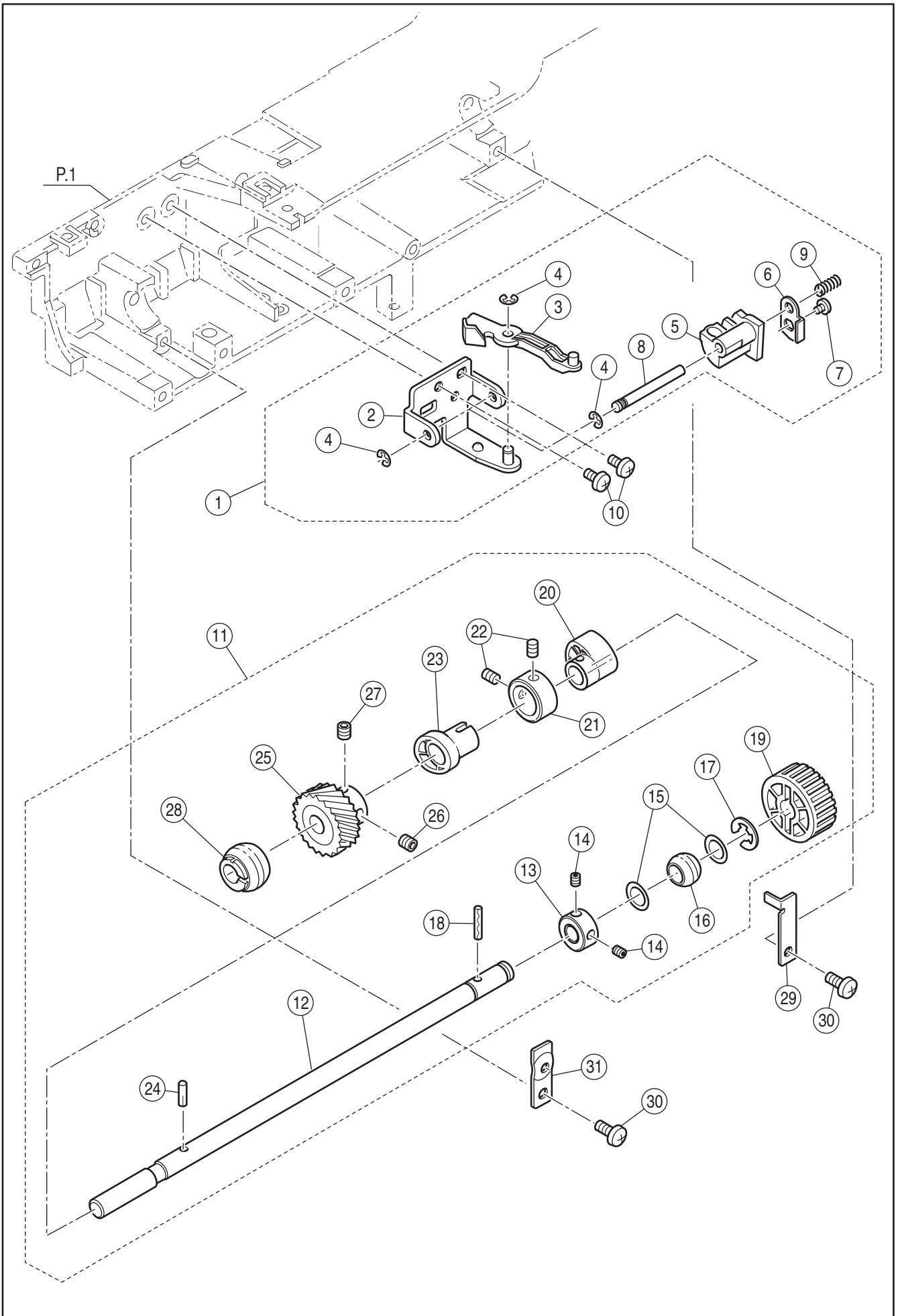
| Ref No | Part No | Part Name | Ref No | Part No | Part Name |
|--------|---------|--|--------|---------|-------------------------------|
| 1 | 33977 | Needle Bar Guide Assy.(Incl.2-38) | 68 | 32953 | Presser Foot Switch Assy. |
| 2 | 32790-2 | Needle Bar Guide | 69 | 33591 | Washer |
| 3 | 32791 | Threader Bar | 70 | S32962 | Set Screw |
| 4 | 32995 | Pin | 71 | S31293 | Set Screw |
| 5 | 33547 | Threader Holder Assy.(Incl.6-7) | 72 | 32809 | Presser Bar Assy.(Incl.73-75) |
| 6 | 33554 | Threader Holder | 73 | 32810 | Presser Bar |
| 7 | 33555 | Threader Holder Pin | 74 | 32811 | Presser Bar Guide Bracket |
| 8 | 30261-1 | Spring Pin | 75 | S30805 | Set Screw |
| 9 | 33550 | Threader Bar Spring | 76 | 32812 | Presser Spring |
| 10 | 34543 | Threader Holder Spring | 77 | 32813 | Presser Bar Bush |
| 11 | 32557 | Threader Hook Assy. | 78 | 32965 | Snap Ring |
| 12 | 32793 | Needle Bar Guide Fulcrum Shaft (A) | 79 | S13064 | Presser Foot Thumb Screw |
| 13 | S30388 | Set Screw | 80 | 01208 | Needle |
| 14 | 32794 | Needle Bar Guide Fulcrum Shaft (B) | 81 | 32968 | Presser Foot Holder |
| 15 | 12149 | Snap Ring | 82 | 32969 | Zigzag Foot |
| 16 | 33772 | Needle Bar Assy.(Incl.17-20) | 83 | 32814 | Thread Take-Up Lever Assy. |
| 17 | 33659 | Needle Bar | 84 | S12785 | Set Screw |
| 18 | 32098-2 | Needle Clamp Assy. | | | |
| 19 | S32100 | Needle Clamp Screw | | | |
| 20 | S32430 | Set Screw | | | |
| 21 | 90800 | Needle Bar Clamp Assy. | | | |
| 22 | 34170 | Needle Bar Clamp Spring | | | |
| 23 | 33549 | Threader Bar Stopper | | | |
| 24 | S02894 | Set Screw | | | |
| 25 | 32964 | Z Link Shaft | | | |
| 26 | 32801 | Z Guide Spring | | | |
| 27 | 33556 | Threader Holder Guide Plate Assy. | | | |
| 28 | 30261 | Spring Pin | | | |
| 29 | 33557 | Threader Holder Stopper | | | |
| 30 | 33558 | Threader Holder Stopper Spring | | | |
| 31 | 31578 | Washer | | | |
| 32 | 33573 | C-type Retaining Ring | | | |
| 33 | S31584 | Set Screw | | | |
| 34 | 12453 | Washer | | | |
| 35 | 33559 | Threader Holder Stopper | | | |
| 36 | S02802 | Set Screw | | | |
| 37 | 33588 | Needle Position Adjusting Collar | | | |
| 38 | 33436 | Needle Point Limiting Shaft | | | |
| 39 | 32932 | Needle Bar Clank Rod Assy. | | | |
| 40 | 32997 | Washer | | | |
| 41 | 32800 | Spring for Needle Bar Guide Assy. | | | |
| 42 | S32742 | Set Screw | | | |
| 43 | N91648 | Adjustable Lock Nut | | | |
| 44 | 33560 | Z Link Bracket Unit(Incl.45-59) | | | |
| 45 | 32803 | Z Link Bracket Assy. | | | |
| 46 | 31838 | Wave Washer | | | |
| 47 | 32804 | Z Link | | | |
| 48 | 07221 | Snap Ring | | | |
| 49 | 32959 | LED Board Assy.(Incl.P2-5/33581) | | | |
| 50 | S33441 | Set Screw | | | |
| 51 | 33561 | Threader Holder | | | |
| 52 | 33563 | Felt | | | |
| 53 | 31967 | Thread Cutter | | | |
| 54 | 33562 | Thread Cutter Fixing Plate | | | |
| 55 | S11167 | Set Screw | | | |
| 56 | 33435 | Needle Position Limiting Plate | | | |
| 57 | 32867 | Rubber Cushion | | | |
| 58 | S33446 | Set Screw | | | |
| 59 | S31582 | Set Screw | | | |
| 60 | S31293 | Set Screw | | | |
| 61 | 32805 | Presser Foot Lifter Bracket Unit(Incl.62-70) | | | |
| 62 | 32806 | Presser Foot Lifter Bracket Assy. | | | |
| 63 | 32807 | Presser Foot Lifter | | | |
| 64 | 32808 | Tension Release Connecting Plate | | | |
| 65 | 32998 | Spring | | | |
| 66 | 12453 | Washer | | | |
| 67 | S11697 | Set Screw | | | |



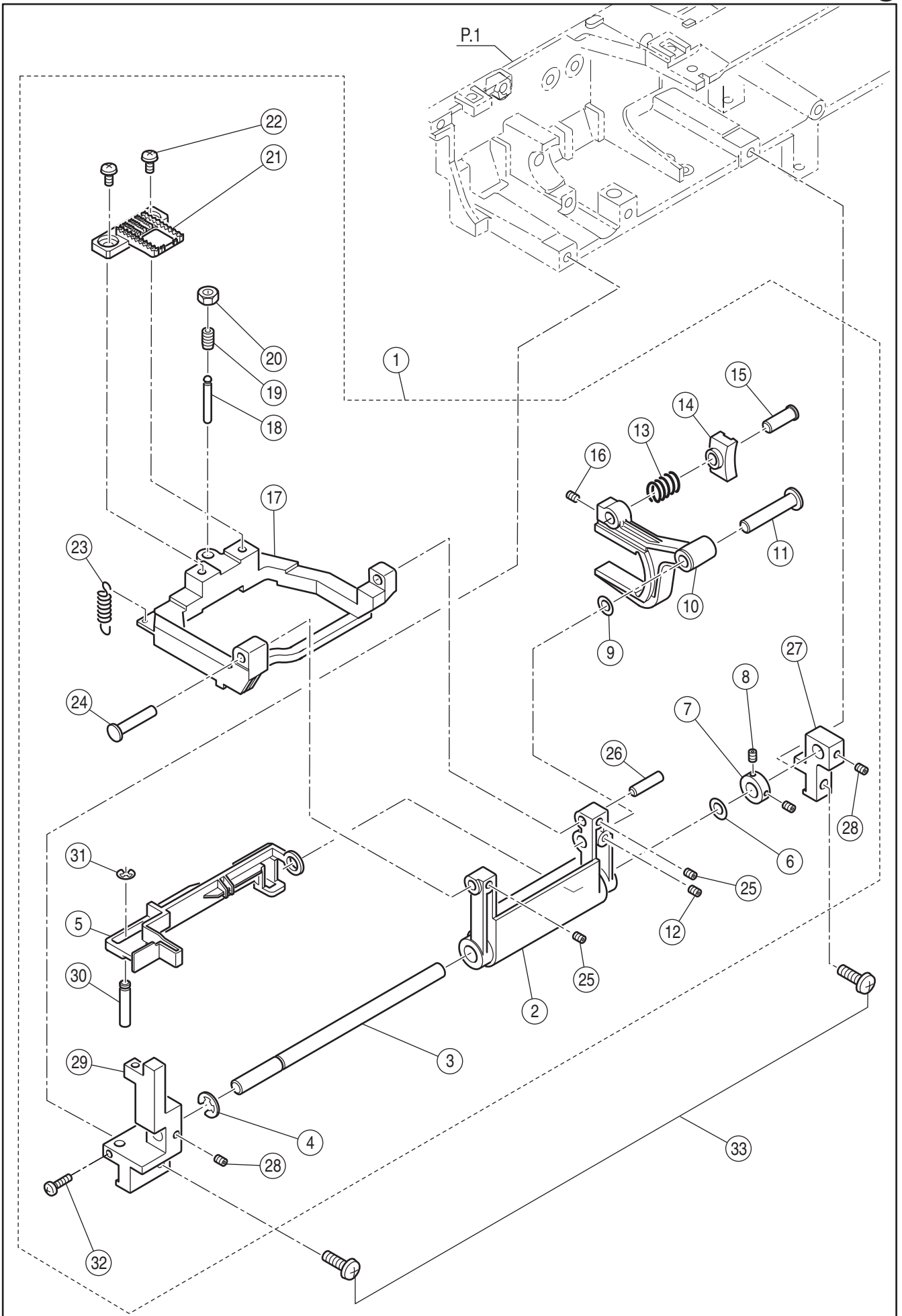
| Ref No | Part No | Part Name |
|--------|---------|--------------------------------|
| 1 | 33665 | Upper Shaft Assy. |
| 2 | 12005 | Polyslider |
| 3 | 32827 | Upper Shaft Collar |
| 4 | S30388 | Set Screw |
| 5 | S12544 | Set Screw |
| 6 | 32825 | Upper Shaft Timing Pulley |
| 7 | 34071 | Timing Belt (Upper Shaft) |
| 8 | 33666 | Spring Pin |
| 9 | 32993 | Spring Pin |
| 10 | 32834 | STS Slit |
| 11 | 32829 | Clutch Change Collar |
| 12 | 32830 | Clutch Change Spring |
| 13 | 32832 | Belt Wheel |
| 14 | 30045 | Snap Ring |
| 15 | 33669 | Spring Pin |
| 16 | 32833 | Hand Wheel |
| 17 | 30090 | Timing Belt (Motor) |
| 18 | 32820 | Belt Tension Assy.(Incl.19-22) |
| 19 | 32821 | Belt Tension Bracket Assy. |
| 20 | 32822 | Tension Pulley |
| 21 | 04993 | Snap Ring |
| 22 | S02812 | Set Screw |



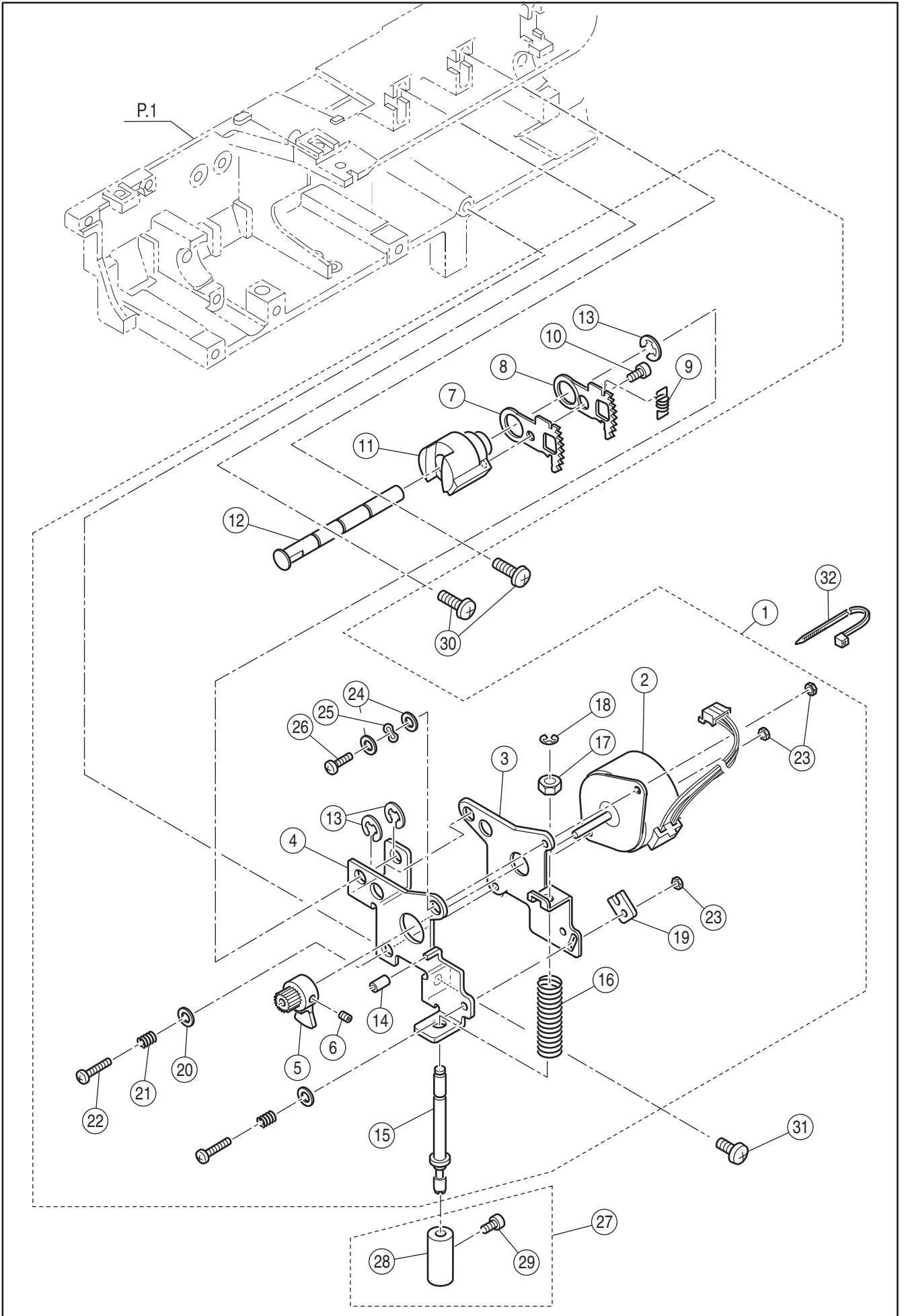
| Ref No | Part No | Part Name |
|--------|---------|---|
| 1 | 32836 | Bobbin Winder Assy(Incl.2-6) |
| 2 | 07414-T | Bobbin Winder Shaft Spring |
| 3 | 01352 | Rubber Ring |
| 4 | 32842 | Bobbin Winder Switch Assy. |
| 5 | S33441 | Set Screw |
| 6 | 11380 | Cord Band |
| 7 | S31293 | Set Screw |
| 8 | 34393 | Needle Plate Assy.(Incl.9-20) |
| 9 | 34209 | Needle Plate |
| 10 | 34210 | Thread Guide Plate |
| 11 | 31967 | Thread Cutter |
| 12 | 31734 | Slide Lever |
| 13 | 34211-2 | Bobbin Cover Plate Holder |
| 14 | S30200 | Set Screw |
| 15 | 34212 | Bobbin Holder Stabilize Plate |
| 16 | S32534 | Set Screw |
| 17 | S34394 | Set Screw |
| 18 | N31418 | Push Nut |
| 19 | 32879 | Rubber Sheet |
| 20 | 33570 | Rubber Sheet |
| 21 | S32743 | Set Screw |
| 22 | 34213 | Bobbin Cover Plate |
| 23 | 32744 | Hook Race Unit (Incl.24-31) |
| 24 | 30113 | Hook Race Assy. |
| 25 | 32848 | Hook Race Shaft |
| 26 | 30135 | Oil Wick (1) |
| 27 | 30136 | Oil Wick (2) |
| 28 | 32454 | Wave Washer |
| 29 | 10995 | Polyslider |
| 30 | 10995-3 | Polyslider |
| 31 | 30118 | Magnet |
| 32 | S90932 | Set Screw |
| 33 | 33265 | Bobbin Holder Stopper Assy.(Incl.34-37) |
| 34 | 33266 | Bobbin Holder Stopper Bracket |
| 35 | 33178 | Bobbin Holder Stopper Spring |
| 36 | 33179 | Stop Spring |
| 37 | S32227 | Set Screw |
| 38 | S02891 | Set Screw |
| 39 | 34556 | Bobbin Holder Unit (Incl.40-41) |
| 40 | 31746 | Bobbin Holder Assy. |
| 41 | 34406 | Bursh |
| 42 | 30222 | Bobbin |
| 43 | 34395 | Thread Cutter Assy. |
| 44 | S12786 | Set Screw |
| 45 | CN101-2 | Connector |
| 46 | LD272 | Thread Cutter Harnes |



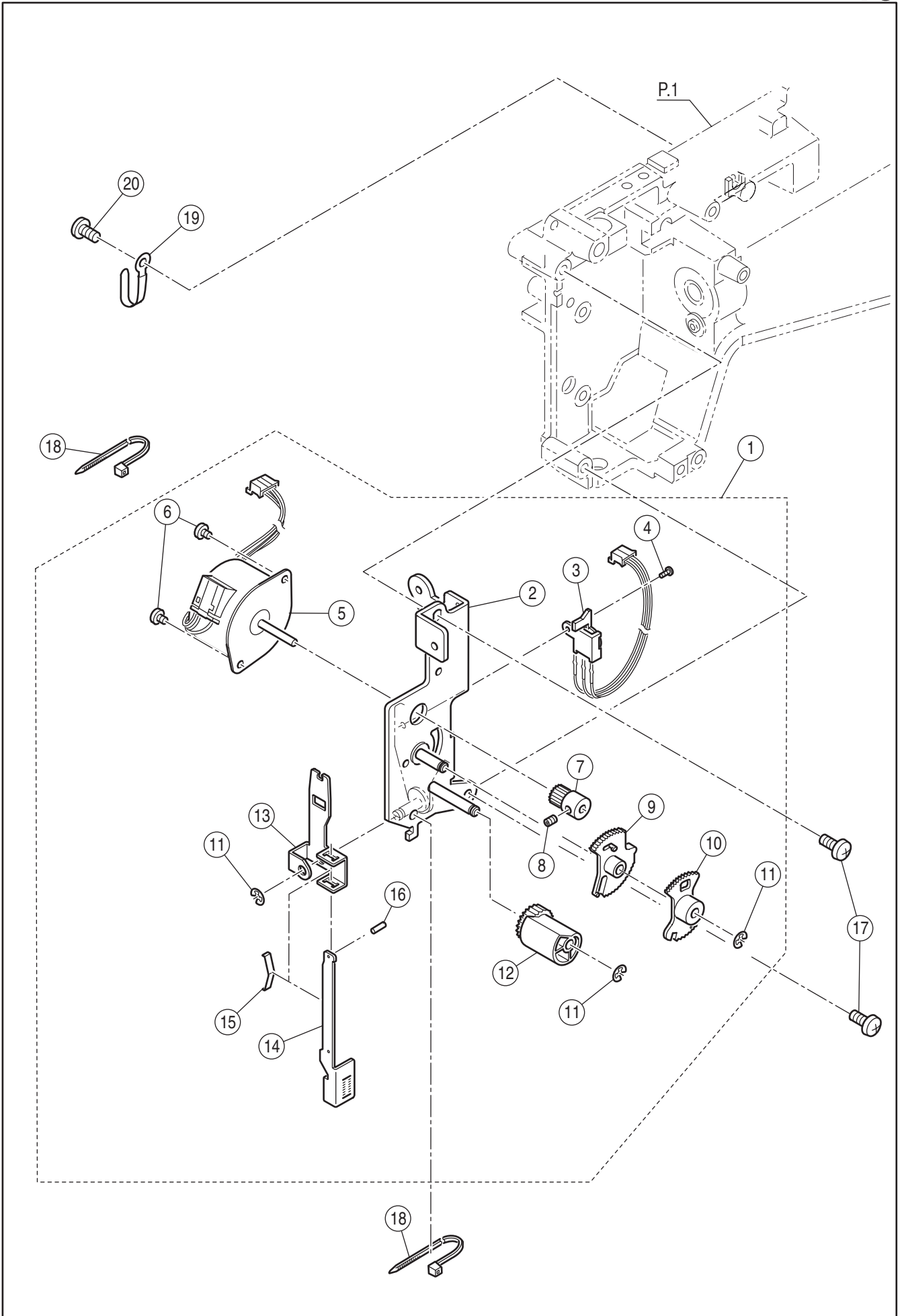
| Ref No | Part No | Part Name |
|--------|---------|---|
| 1 | 33824 | Feed Rocking Cam Follower Assy.(Incl.2-9) |
| 2 | 33825 | Feed Rocking Cam Follower Bracket Assy. |
| 3 | 33810 | Drop Feed Arm |
| 4 | 07221 | Snap Ring |
| 5 | 33696 | Feed Rocking Cam Follower |
| 6 | 33697 | Feed Rocking Cam Follower Plate |
| 7 | S61043 | Set Screw |
| 8 | 33698 | Feed Rocking Cam Follower Shaft |
| 9 | 33699 | Feed Rocking Cam Follower Spring |
| 10 | S2890 | Set Screw |
| 11 | 33682 | Lower Shaft Assy.(Incl.12-28) |
| 12 | 33683 | Lower Shaft |
| 13 | 30178 | Collar |
| 14 | S12544 | Set Screw |
| 15 | 60254 | Polyslider |
| 16 | 30177 | Ball Bush |
| 17 | 60204 | Snap Ring |
| 18 | 32861 | Spring Pin |
| 19 | 32860 | Lower Shaft Timing Pulley |
| 20 | 30184 | Feed Cam |
| 21 | 30183 | Feed Cam Collar |
| 22 | S90932 | Set Screw |
| 23 | 33684 | Feed Rocking Cam |
| 24 | 33858 | Spring Pin |
| 25 | 33686 | Lower Shaft Gear |
| 26 | S30805 | Set Screw |
| 27 | S60466 | Set Screw |
| 28 | 32854 | Lower Shaft Ball Bushing (Left) |
| 29 | 32408 | Ball Bushing Holder |
| 30 | S31293 | Set Screw |
| 31 | 32862 | Ball Bushing Holder (Left) |



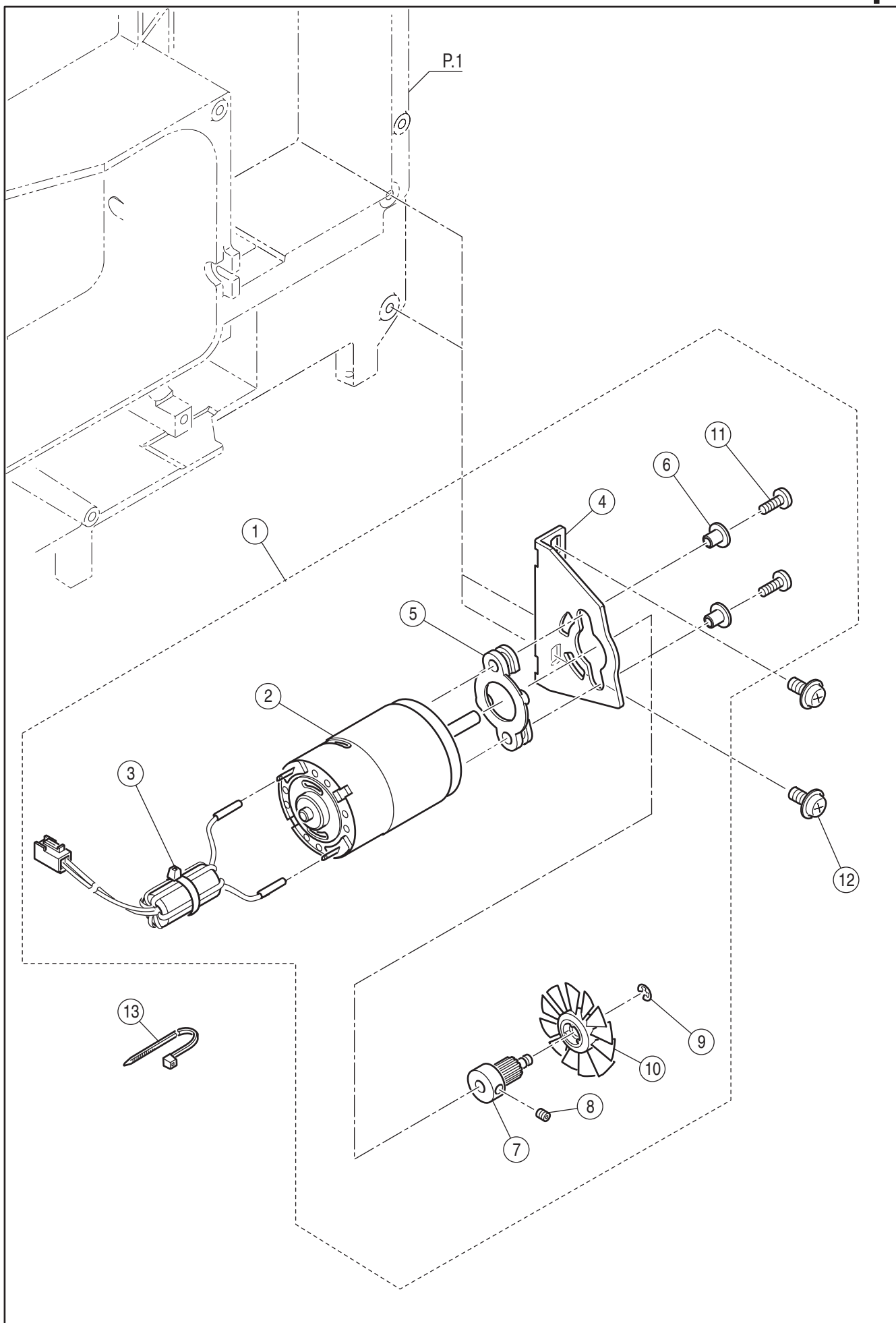
| Ref No | Part No | Part Name |
|--------|---------|----------------------------------|
| 1 | 34425 | Feed Shaft Assy.(Incl.2-32) |
| 2 | 32864-2 | Feed Shaft Guide |
| 3 | 32865 | Feed Shaft |
| 4 | 07492 | Snap Ring |
| 5 | 33811 | Drop Feed Lever |
| 6 | 10995-2 | Polyslider |
| 7 | 33168 | Feed Shaft Coller |
| 8 | S30842 | Set Screw |
| 9 | 33127 | Polyslider |
| 10 | 32880 | Forked Cam Follower |
| 11 | 30170 | Forked Cam Follower Pin |
| 12 | S30842 | Set Screw |
| 13 | 32883 | Feed Slide Block Spring |
| 14 | 32882 | Feed Slide Block |
| 15 | 32881 | Slide Block Shaft |
| 16 | S30842 | Set Screw |
| 17 | 33688 | Feed Base |
| 18 | 33691 | Feed Rocking Connecting Rod |
| 19 | 33689 | Set Screw |
| 20 | N33690 | Adjustable Nut |
| 21 | 33185 | Feed Dog |
| 22 | S02868 | Set Screw |
| 23 | 32873 | Feed Rocking Cam Follower Spring |
| 24 | 33193 | Feed Base Fulcrum Shaft(Left) |
| 25 | S30842 | Set Screw |
| 26 | 33192 | Feed Base Fulcrum Shaft (Right) |
| 27 | 32877 | Feed Shaft Follower (R) |
| 28 | S30842 | Set Screw |
| 29 | 32878-3 | Feed Shaft Follower (L) |
| 30 | 32885 | Drop Feed Fulcrum Shaft |
| 31 | 07221 | Snap Ring |
| 32 | S11984 | Set Screw |
| 33 | S12785 | Set Screw |



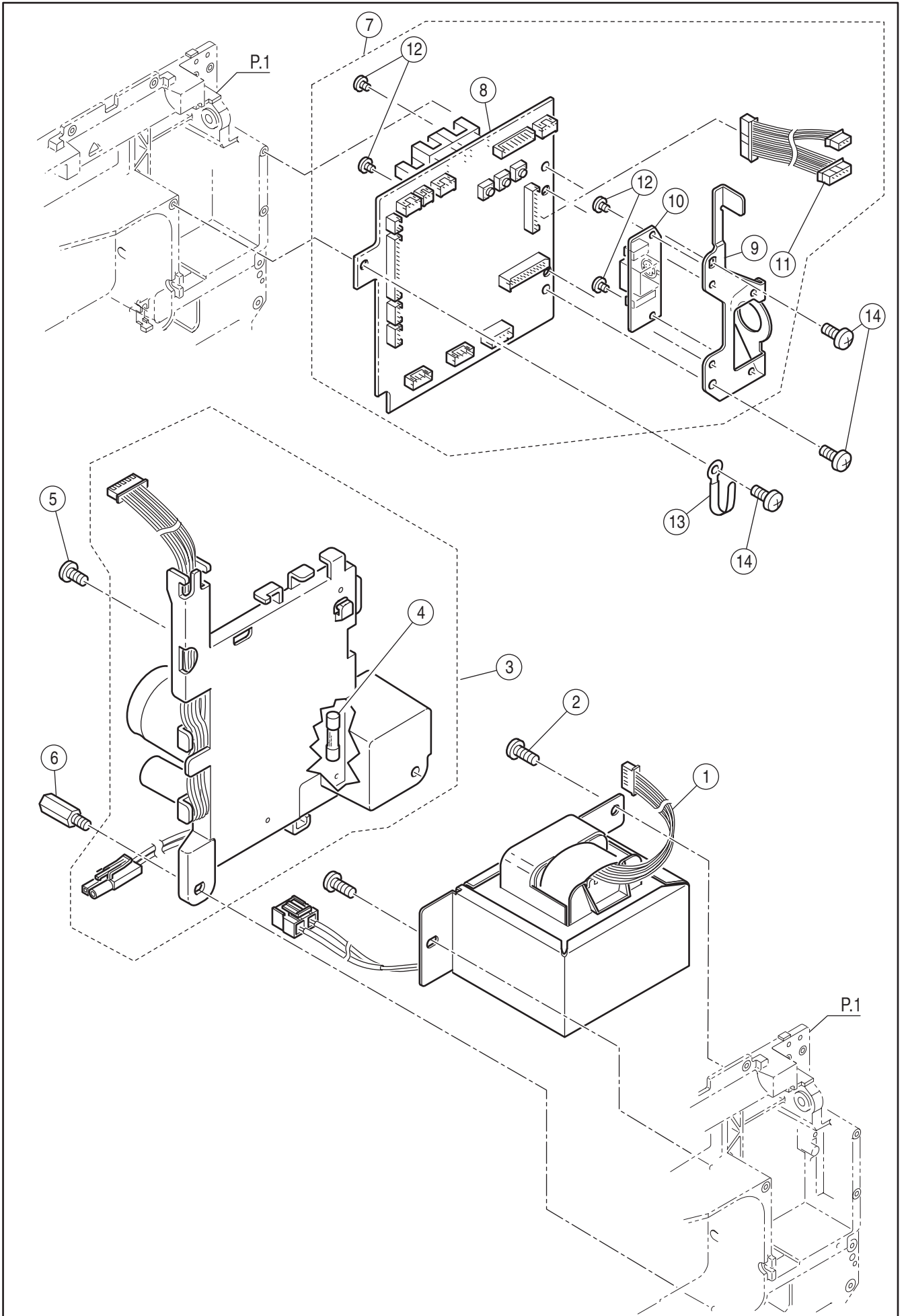
| Ref No | Part No | Part Name |
|--------|---------|---|
| 1 | 33330 | F Pulse Motor Assy. (Incl.2-26) |
| 2 | 32894 | F Pulse Motor |
| 3 | 32901 | Adjusting Plate |
| 4 | 32895 | F Pulse Motor Bracket |
| 5 | 32896 | F Pulse Motor Gear |
| 6 | S30842 | Set Screw |
| 7 | 33190 | Feed Regulator Gear (A) |
| 8 | 33191 | Feed Regulator Gear (B) |
| 9 | 33187 | Feed Regulator Gear Spring |
| 10 | S60800 | Set Screw |
| 11 | 32899 | Feed Regulator |
| 12 | 32900 | Feed Regulator Shaft |
| 13 | 07492 | Snap Ring |
| 14 | 32867 | Rubber Cushion |
| 15 | 33319 | Forward-Reverse Adjustment Shaft |
| 16 | 32903 | Adjusting Spring |
| 17 | N12436 | Nut |
| 18 | 07221 | Snap Ring |
| 19 | 32904 | Nut |
| 20 | 12453 | Washer |
| 21 | 33322 | F Pulse Motor Bracket Spring |
| 22 | S11431 | Set Screw |
| 23 | N13189 | Nut |
| 24 | 12453 | Washer |
| 25 | 12487 | Wave Washer |
| 26 | S11984 | Set Screw |
| 27 | 33455 | Fine Adjustment Shaft Assy.(Incl.28-29) |
| 28 | 33320 | Fine Adjustment Shaft |
| 29 | S60800 | Set Screw |
| 30 | S10706 | Set Screw |
| 31 | S31293 | Set Screw |
| 32 | 11380 | Cord Band |



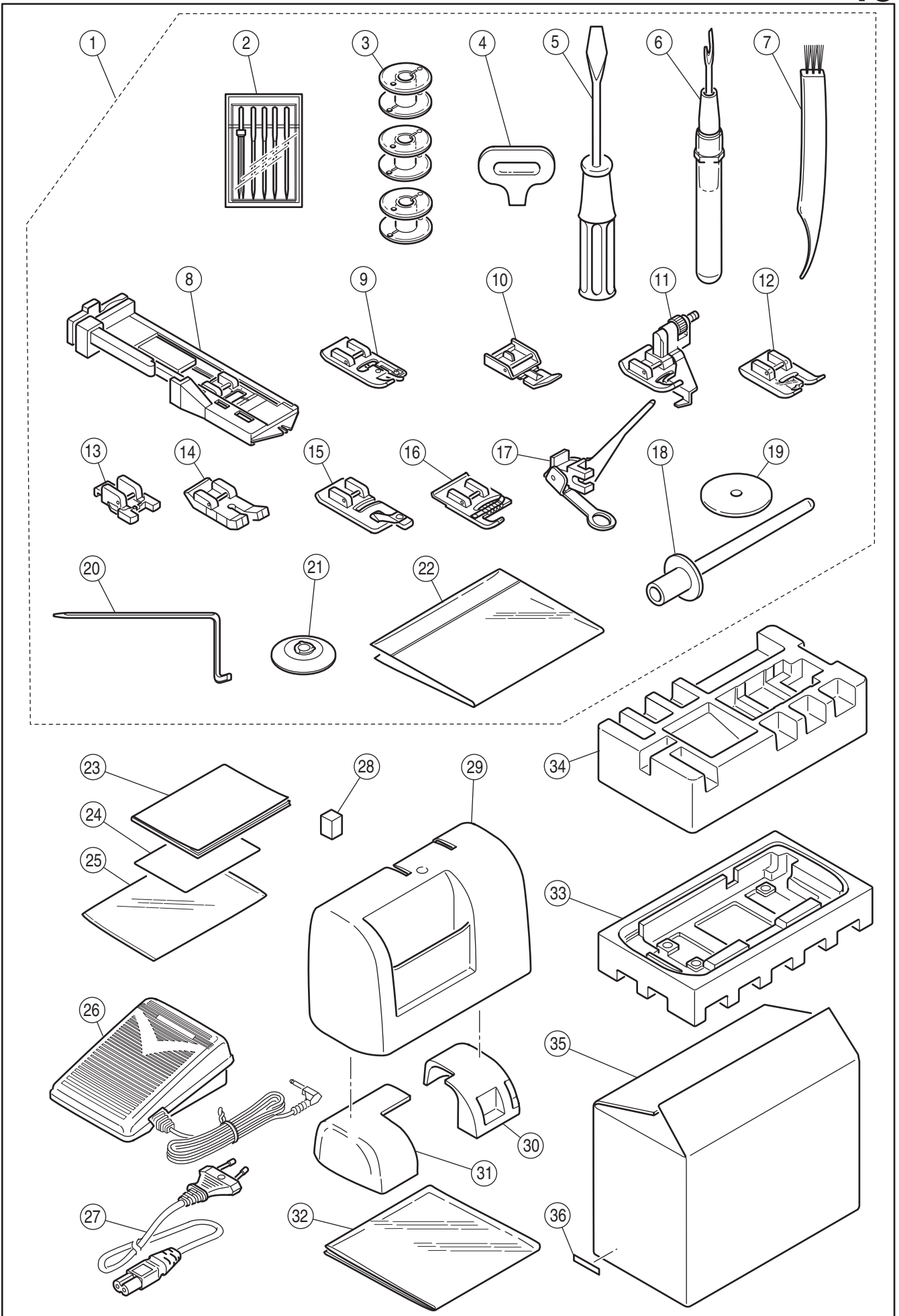
| Ref No | Part No | Part Name |
|--------|---------|--------------------------------|
| 1 | 32905 | Z Pulse Motor Assy.(Incl.2-16) |
| 2 | 32906 | Z Pulse Motor Bracket Assy. |
| 3 | 32910 | BH Switch Assy. |
| 4 | S33441 | Set Screw |
| 5 | 32958 | Z Pulse Motor |
| 6 | S30695 | Set Screw |
| 7 | 32911 | Z Pulse Motor Gear |
| 8 | S30842 | Set Screw |
| 9 | 32912 | Center Gear (A) |
| 10 | 32913 | Center Gear (B) |
| 11 | 07221 | Snap Ring |
| 12 | 32915 | Z Cam |
| 13 | 32916 | BH Plate |
| 14 | 32917 | BH Lever |
| 15 | 32918 | BH Lever Spring |
| 16 | 33213 | Spring pin |
| 17 | S31293 | Set Screw |
| 18 | 11380 | Cord Band |
| 19 | 32955 | Coating Grip |
| 20 | S31293 | Set Screw |



| Ref No | Part No | Part Name |
|--------|---------|-------------------------|
| 1 | 32919 | Motor Assy. (Incl.2-11) |
| 2 | 32920 | Motor |
| 3 | 33136 | Harnes Assy. |
| 4 | 32921 | Motor Bracket |
| 5 | 32922 | Rubber Cushion |
| 6 | 32923 | Motor Collar |
| 7 | 32924 | Motor Pulley |
| 8 | S12544 | Set Screw |
| 9 | 07221 | Snap Ring |
| 10 | 32925 | Motor Fan |
| 11 | S02810 | Set Screw |
| 12 | S02903 | Set Screw |
| 13 | 11380 | Cord Band |



| Ref No | Part No | Part Name |
|--------|---------|-------------------------------|
| 1 | 33829 | Transformer |
| 2 | S31842 | Set Screw |
| 3 | 33985 | Power Circuit Unit (Incl.4) |
| 4 | FU025 | Fuse |
| 5 | S02812 | Set Screw |
| 6 | 31719 | Stud |
| 7 | 34976 | C.P.U. Board Unit (Incl.8-12) |
| 8 | 34977 | C.P.U. Board Assy. |
| 9 | 34409 | M.D.Connector Bracket |
| 10 | 34382 | M.D.Connector Board Assy. |
| 11 | LD273 | M.D.Connector Harnes |
| 12 | S11697 | Set Screw |
| 13 | 32955 | Coating Grip |
| 14 | S02812 | Set Screw |



| Ref No | Part No | Part Name |
|--------|---------|-------------------------------|
| 1 | 33797-3 | Accessory Kit(Incl.2-22) |
| 2 | 33814 | Needle Set |
| 3 | 30222 | Bobbin |
| 4 | 31089 | Screw Driver for Needle Plate |
| 5 | 02000-T | Screw Driver (L) |
| 6 | 02024 | Stitch Ripper |
| 7 | 90903 | Brush |
| 8 | 33592 | Buttonhole Foot |
| 9 | 30244-2 | Overcasting Foot |
| 10 | 90867-2 | Zipper Foot |
| 11 | 30218-2 | Blind Foot |
| 12 | 34445 | Satin Foot |
| 13 | 12928 | Button Sewing Foot |
| 14 | 31461 | Quilting Foot |
| 15 | 30685 | Narrow Hemming Foot |
| 16 | 30686-2 | Cording Foot |
| 17 | 04195 | Darning/Embroidery Foot |
| 18 | 33815 | Extra Spool Stand |
| 19 | 01407 | Felt Washer |
| 20 | 11117 | Quilting Guide |
| 21 | 33109 | Thread Cap |
| 22 | 34949 | Vinyl Bag |
| 23 | 34967 | Instruction Manual |
| 24 | 34107-7 | Pattern Card |
| 25 | 33156 | Vinyl Bag |
| 26 | 31098-2 | Foot Controller |
| 27 | 33981 | Power Cord |
| 28 | 33427 | Styroform |
| 29 | 32975-5 | Dust Cover Assy. |
| 30 | 32963-1 | Styroform (Right) |
| 31 | 32963-2 | Styroform (left) |
| 32 | 33520 | Vinyl Bag |
| 33 | 32952-2 | Styroform |
| 34 | 32952-1 | Styroform |
| 35 | 34968 | Carton Box |
| 36 | 33979 | Serial No.Sticker |