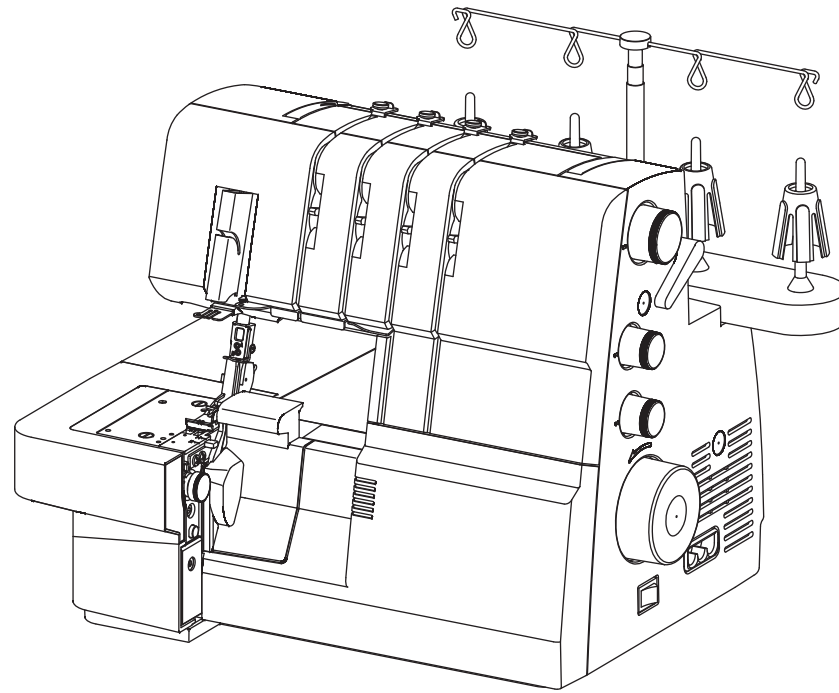


# Parts List

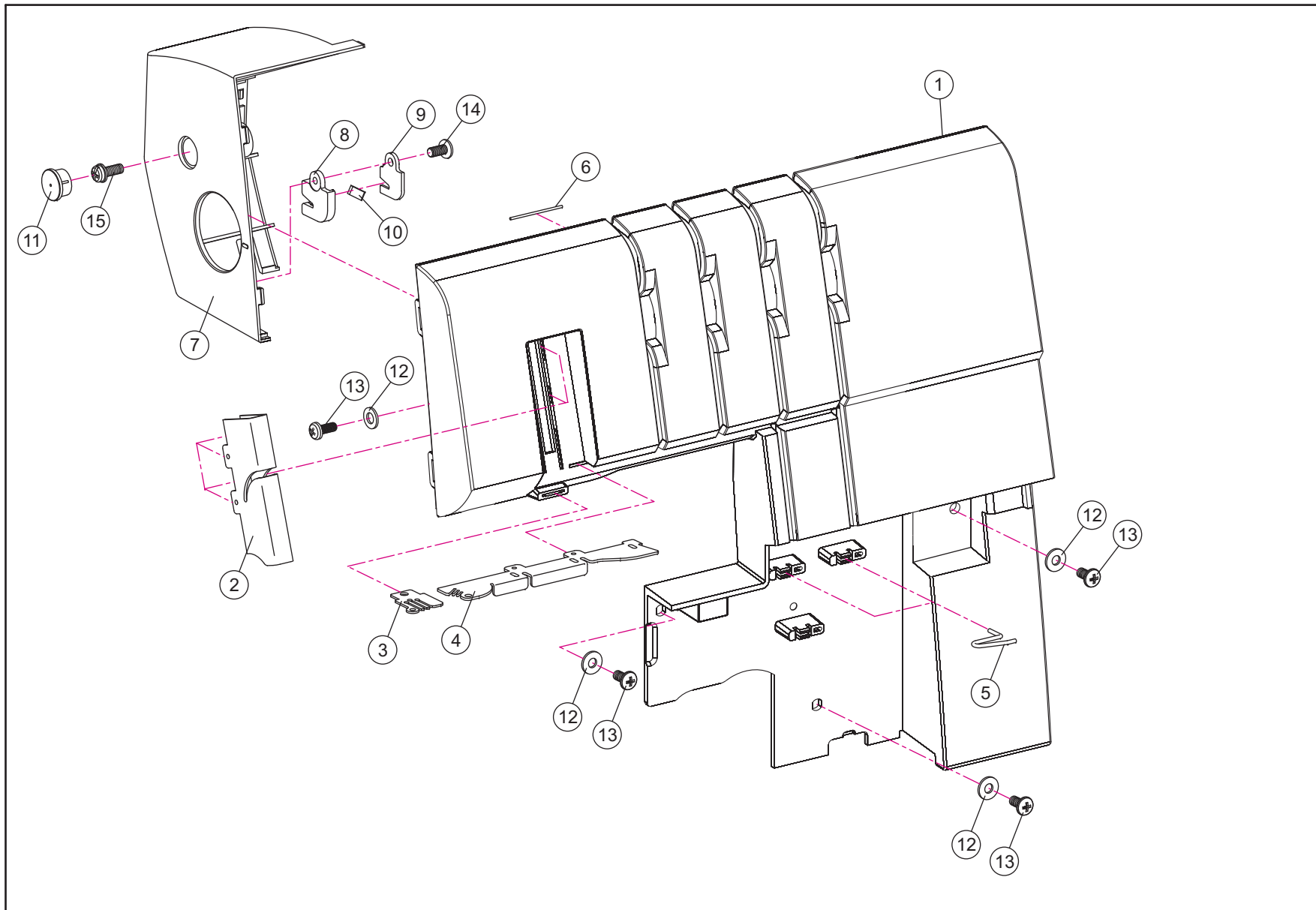
N4035



# CONTENTS

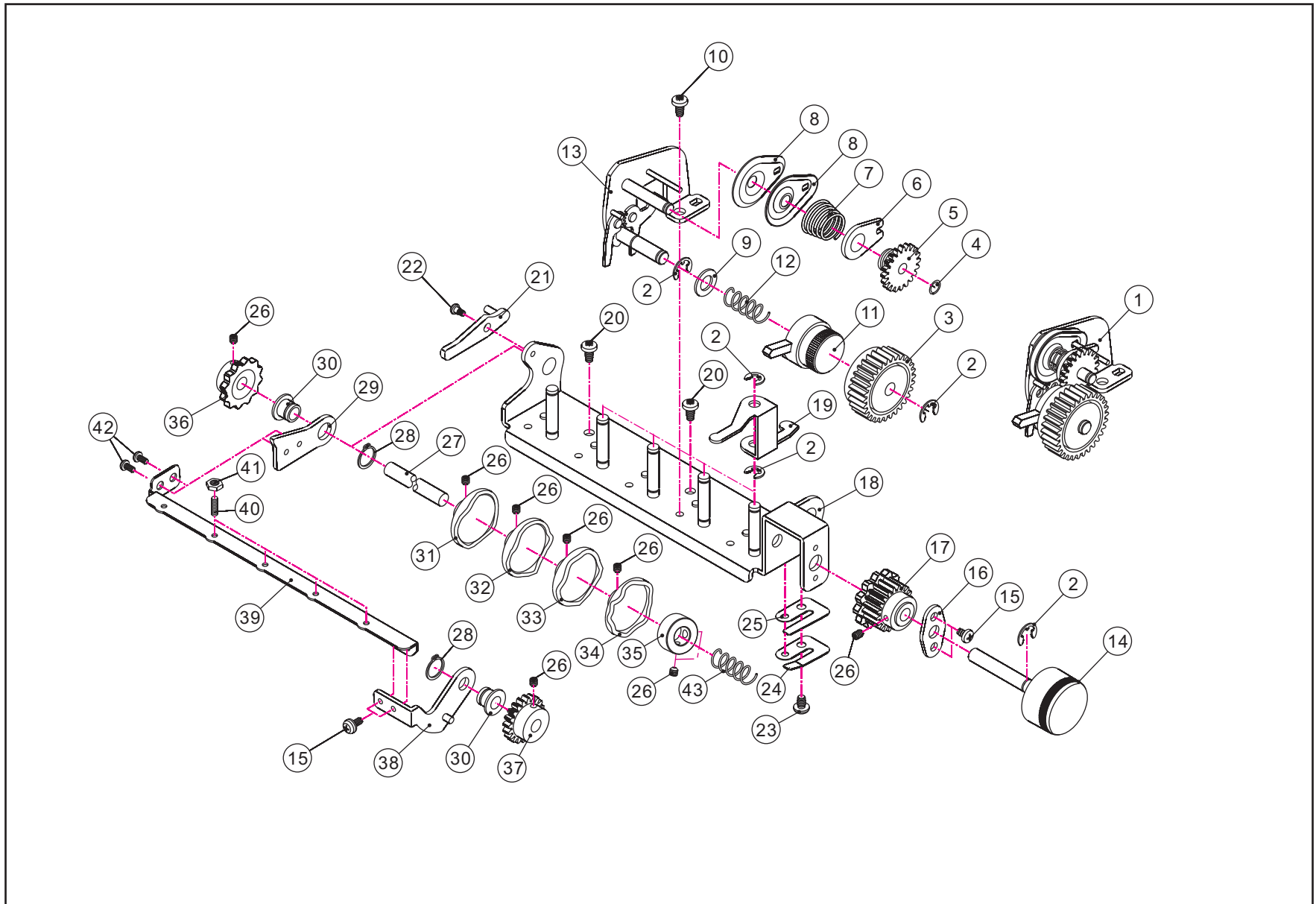
	<b>PAGES</b>
1. Front panel / Bulb cover .....	1 , 2
2. Auto tension dial .....	3 , 4
3. Looper cover/ Base plate .....	5 , 6
4. Side cover/ Flat bed extension/ Back cover/ Thread guide bar/ Spool stand/ Top cover/ Handle .....	7 , 8
5. Machine frame / Lower cutter / Upper cutter/ Stitch plate .....	9,10
6. Main shaft .....	11,12
7. Needle bar connecting arm .....	13,14
8. Stitch length dial .....	15,16
9. Feed dog .....	17,18
10. Differential feed dial .....	19,20
11. Needle bar/ Presser bar/ Presser foot .....	21,22
12. Upper looper.....	23,24
13. Lower looper .....	25,26
14. Electronic parts .....	27,28
15. Accessories.....	29,30

Note : All parts are included in a part set with the “ \* “ mark are part components that cannot be ordered alone.



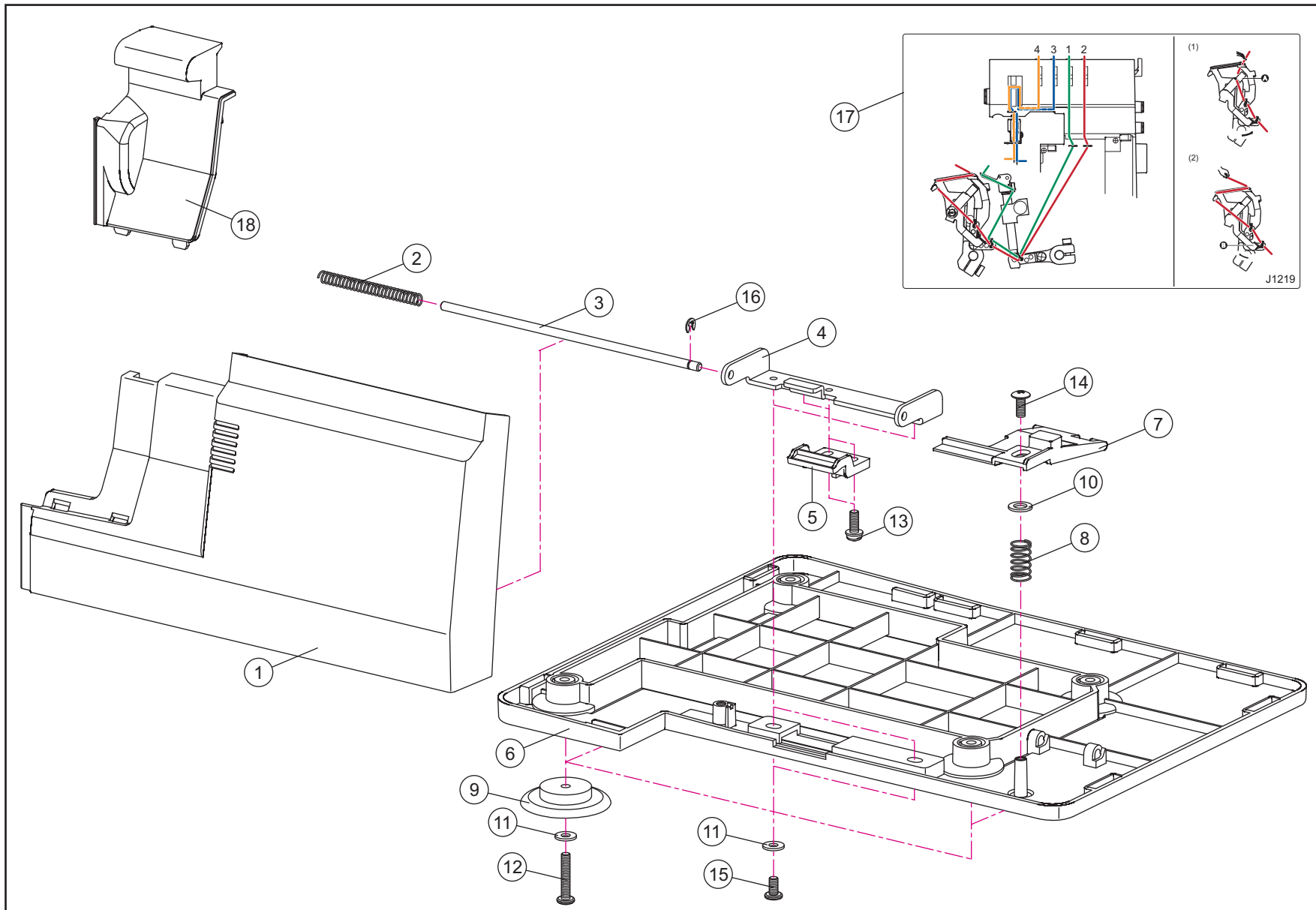
# 1. Front panel / Bulb cover

No.	Parts No.	Parts Name
1	J1197P001	Front panel
2	G2050	Thread take-up cover
3	G7031	Thread guide (C)
4	J1177	Thread guide (B)
5	J1147	Thread guide (A)
6	J1149	Thread guide (C)
7	J1011-111	Bulb cover
8	H1117	Knife holder
9	H1118	Knife holder cap
10	G2073	Knife
11	H1030-111	Screw cap
12	ZW04.3F10J02	Washer
13	ZM04L08A02	Set screw
14	ZM03L10F42	Set screw
15	ZM04L10W02	Set screw
*16	J1197P001A	Front panel set (No.1.2.3.4.5.6.7.17.18 included)
*17	J1011-111A	Bulb cover set (No.8.9.10.11.15 included)



## 2. Auto tension dial

No.	Parts No.	Parts Name	No.	Parts No.	Parts Name
*1	G6010-567A	Tension fine tuning dial set (No.1.2.3.4.5.6.7.8.9.10.11.12.13 included)	30	G6033	Restoring plate bushing
*1	G6010-111A	Tension fine tuning dial set (No.1.2.3.4.5.6.7.8.9.10.11.12.13 included)	31	J1214-01	Tension cam (A)
2	ZE04T06E13	E ring	32	J1215-01	Tension cam (B)
3	G6009	Tension fine tuning gear	33	J1216-01	Tension cam (C)
4	G6032	ring	34	J1217-01	Tension cam (E)
5	G6027	Tension regulate gear	35	G2040	Setting collar
6	G6026	Tension regulate Nut	36	G6034	Restoring gear
7	G6035	Tension spring	37	G6017	Tension gear
8	G6025	Tension disc	38	J11132	Restoring plate (A)
9	ZW06.4F14J02	Washer	39	G6019	Restoring regulate plate
10	ZM04L05A02	Set screw	40	ZM03L07L71	Set screw
11	G6010-567	Tension fine tuning dial	41	ZM03H02.1L12	Nut
11	G6010-111	Tension fine tuning dial	42	ZM03L03A03	Set screw
12	G2020	spring	43	J1180	Spring
13	G6012-A01	Tension dial holder set	*44	G6016S	Tension fixed gear set (No.17.26 included)
14	J1023P001-01 ~J1023Pxxx	Auto tension dial selection	*45	G6017S	Tension gear set (No.26.37 included)
15	ZM03L04A13	Set screw	*46	G6034S	Restoring gear set (No.26.36 included)
16	G6021	Auto tension dial selection shaft holder	*47	J1214-01S	Tension cam set (No.26.31 included)
17	G6016	Tension fixed gear	*48	J1215-01S	Tension cam set (No.26.32 included)
18	J11122	Tension dial holder	*49	J1216-01S	Tension cam set (No.26.33 included)
19	G6013-01	Tension transmitting arm	*50	J1217-01S	Tension cam set (No.26.34 included)
20	ZM04L08C02	Set screw	*51	G2040S	Setting collar set (No.26.35 included)
21	G6036	Tension restoring plate			
22	G6037	Set screw			
23	ZM04L04.5A04	Set screw			
24	G6048	Spring			
25	G6038	Spring			
26	ZM04L04M71	Set screw			
27	G6022	Tension cam shaft			
28	ZC08T0.8G11	C ring			
29	G6020	Restoring plate (B)			

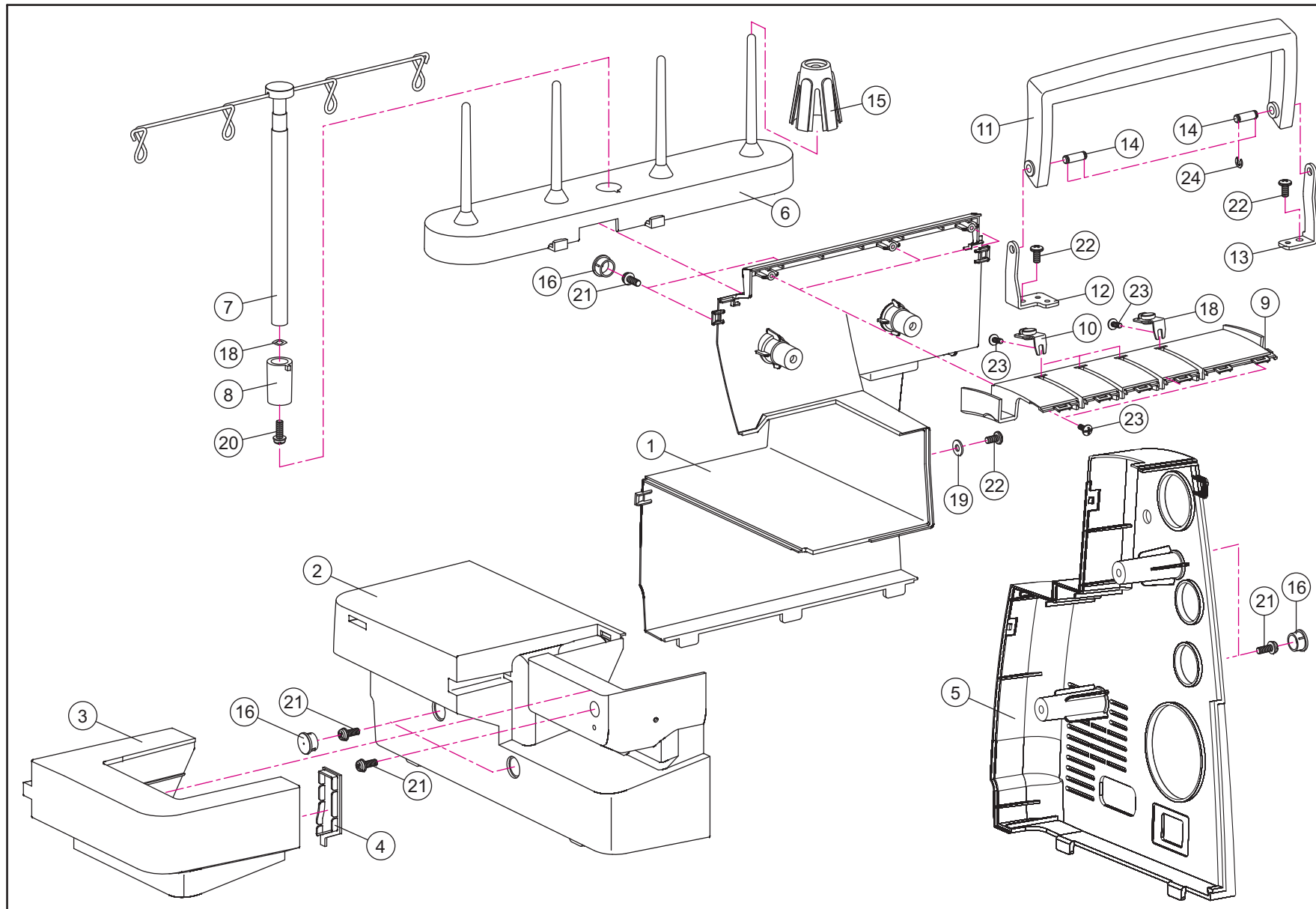


J1219

### 3. Looper cover/ Base plate

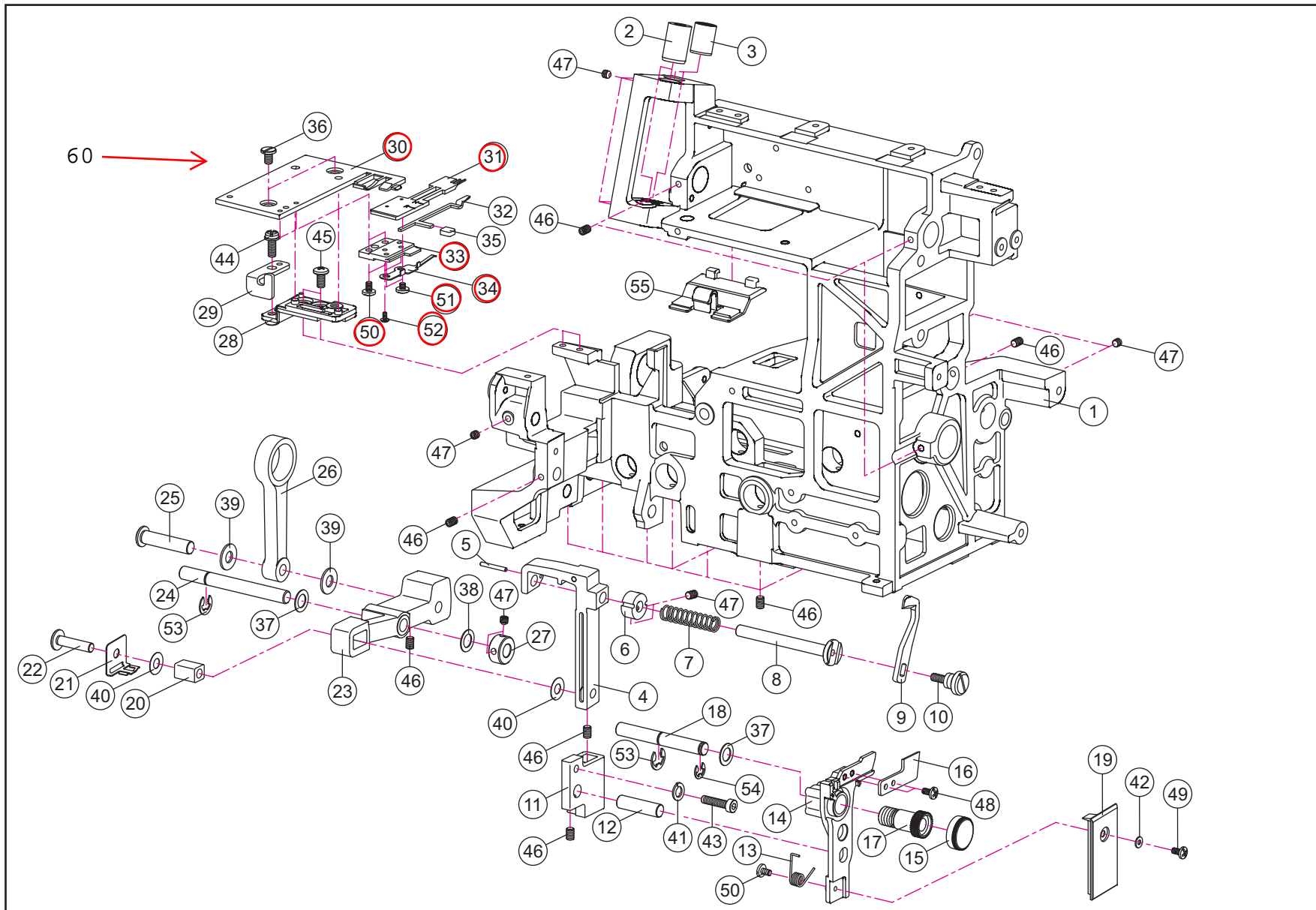
No.	Parts No.	Parts Name
1	J1015P001~X	Looper cover
2	A1106-01	Spring
3	J1129	Looper cover hinge shaft
4	J1075	Looper cover hinge
5	J1025	Looper cover regulate holder
6	J1019-111	Base plate
7	J1026	Micro switch contactor
8	J1146	Spring
9	A11251000	Rubber
10	ZW06.1F11J11	Washer
11	ZW04.3F10J02	Washer
12	ZM04L22C42	Set screw
13	ZM04L10W02	Set screw
14	ZM04L10F42	Set screw
15	ZM04L08A02	Set screw
16	ZE03T06E13	E ring
17	J1219	Thread guide sticker
18	J1016P001-01~X	Cutter cover (A)
*19	J1019-111A	Base plate (No.6.7.8.9.11.15 included)





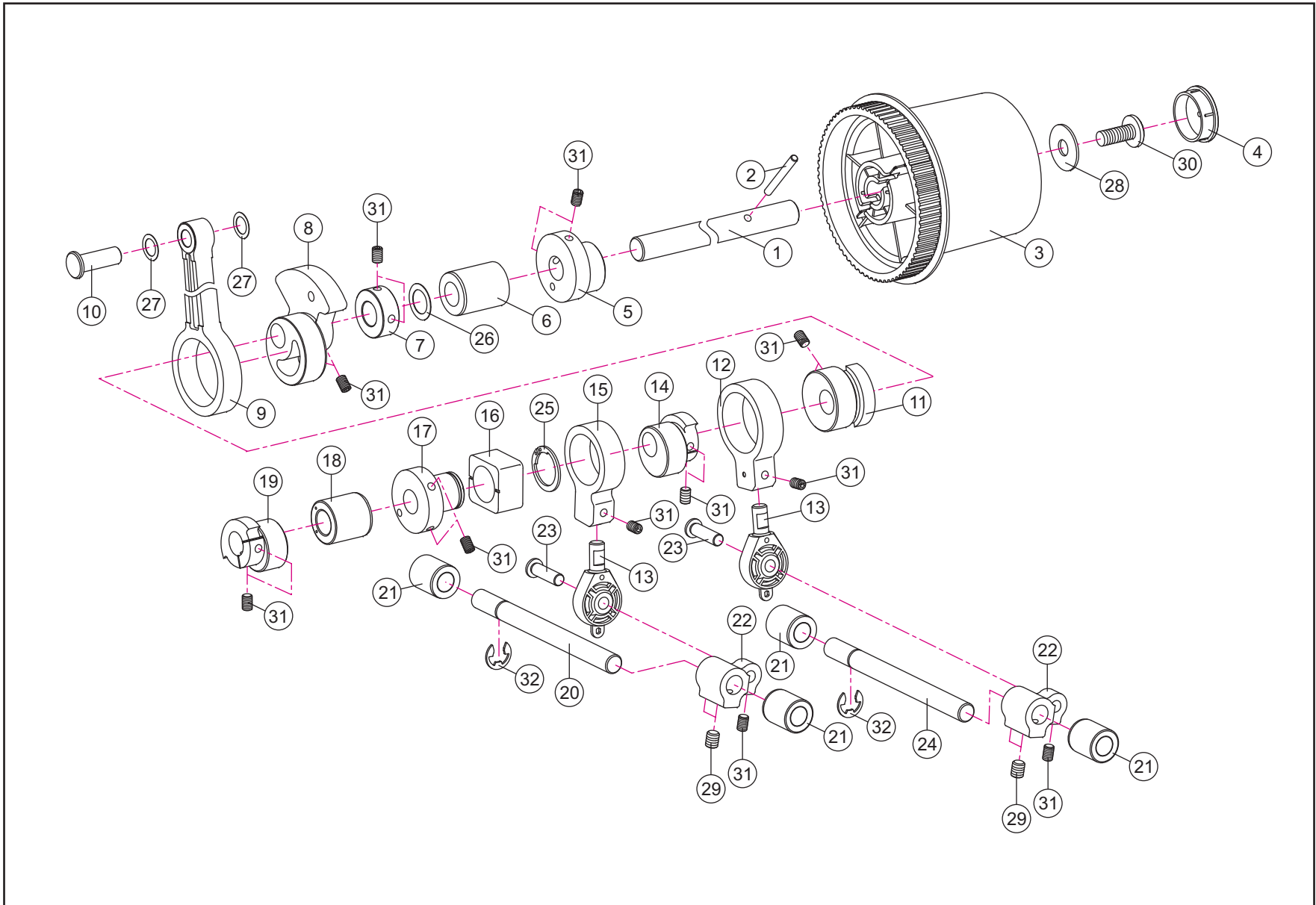
#### 4. Side cover/ Flat bed extension/ Back cover/ Thread guide bar/ Spool stand Top cover/ Handle

No.	Parts No.	Parts Name
1	J1008-111-01~X	Back cover
2	J1012-111~X	Cloth plate
3	J1013-111~X	Attached extension table
4	J1014-111~X	Attached extension table attached plate
5	J1010-111-01	Side cover
6	H1116-111-01	Spool stand
7	H11252	Thread guides and holder
8	H1043	Extension bar setting
9	J1176-111-01	Top cover
10	H11302-01	Thread guide plate
11	J1009-111	Handle
12	J1115	Handle supporter set (A)
13	J1116	Handle supporter set (B)
14	J1150	Handle supporter pin
15	A1V01-111	Spool holder
16	H1030-111	Screw cap
17	G80752	Thread guide plate
18	ZW05.2W09A11	Washer
19	ZW04.3F10J02	Washer
20	ZM04L12W02	Set screw
21	ZM04L10W02	Set screw
22	ZM04L08A02	Set screw
23	ZM03L08F42	Set screw
24	ZE03T06E13	E ring
*25	H11252A	Thread guides and holder set (No.7.8.18.20 included)
*26	J1176-111B	Top cover set (No.9.10.23 included)
*27	J1008P001A~X	Back cover set (No.1.23.26 included)
*28	J1013-111A~X	Attached extension table set (No.3.4 included)



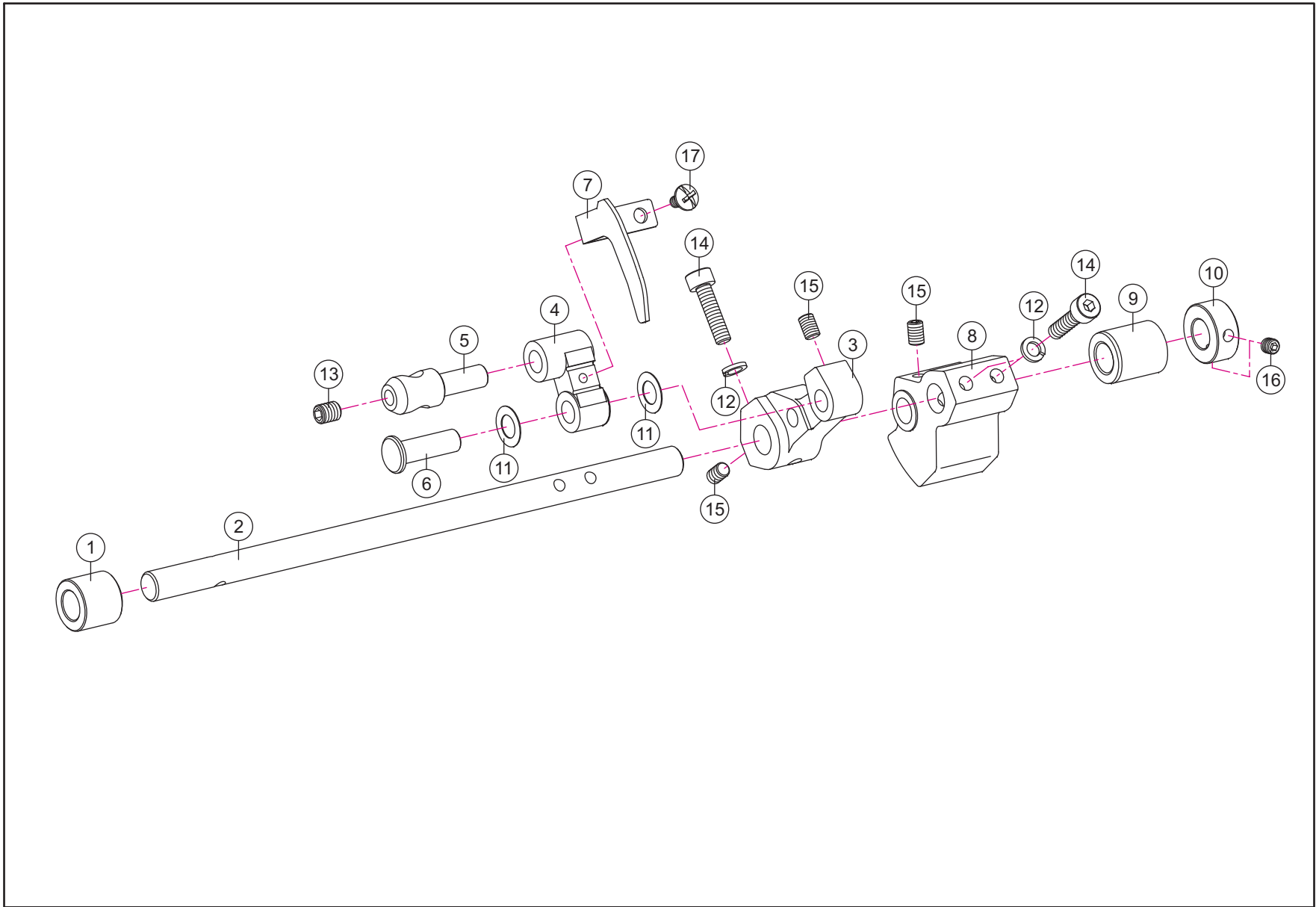
## 5. Machine frame/ Lower cutter/ Upper cutter/ Stitch plate

No.	Parts No.	Parts Name	No.	Parts No.	Parts Name
1	J1002-01	Machine frame	33	J1099	Fixed lever board
2	A1037-01	Needle bar bushing	34	J1100-01	Moving lever slide holder
3	G1265-01	Presser bar bushing	35	B10141567	Moving lever cover
4	J1086	Upper cutter arm	36	G1279	Set screw
5	G1144	Pin	37	ZW07.3F12E01	Washer
6	J1096-01	Upper cutter setting collar	38	ZW07.3N12B00	Washer
7	J1168	Upper cutter spring	39	ZW06.2N11B00	Washer
8	J1138-01	Upper cutter holder	40	ZW05.2N16B00	Washer
9	J1088	Upper cutter	41	ZW04S07J12	Washer
10	G1206	Set screw	42	ZW03.2F07E03	Washer
11	J1087	Upper cutter slide holder	43	ZM04L16Q71	Set screw
12	J1098	Slide shaft holder pin	44	ZM04L10W02	Set screw
13	J1145-01	Lower cutter holder spring	45	ZM04L08A02	Set screw
14	J1091	Lower cutter holder	46	ZM04L06M71	Set screw
15	J1073P001~X	Cutting width knob	47	ZM04L04M71	Set screw
16	G1075	Lower cutter	48	ZM03L06A04	Set screw
17	J1092	Lower cutter regulate screw	49	ZM03L06E04	Set screw
18	J1089	Lower cutter holder shaft	50	ZM03L04A13	Set screw
19	J1018-111	Upper knife set cover	51	ZM03L03A03	Set screw
20	J1094	Upper cutter arm slide block	52	ZM02L04E44	Set screw
21	J1164	Upper knife arm spring	53	ZE06T08E13	E ring
22	J1095	Upper cutter arm slide block pin	54	ZE05T06E13	E ring
23	J1085	Upper cutter drive arm	55	J1235-111	Frame cover
24	J1135	Upper cutter drive arm shaft	* 56	J1086S	Upper cutter arm set (No. 4.46 included)
25	J1090	Upper cutter link pin	* 57	J1087S	Upper cutter slide holder set (No.11.46 included)
26	J1084	Upper cutter link	* 58	J1085S	Upper cutter drive arm set (No. 23.46 included)
27	A10941001	Setting collar	* 59	A1094S	Setting collar set (No. 27.47 included)
28	J1082	Stitch plate setting board	* 60	J1080B	Stitch plate set (No. 30.31.33.34.50.51.52 included)
29	J1083	Front feed dog guide board	* 61	J1096-01S	Upper cutter setting collar set (No. 6.47 included)
30	J1080	Stitch plate	* 62	J10912	Lower cutter holder set (No. 14.17 included)
31	J1179	Fixed lever			
32	J1101	Moving lever			



## 6. Main shaft

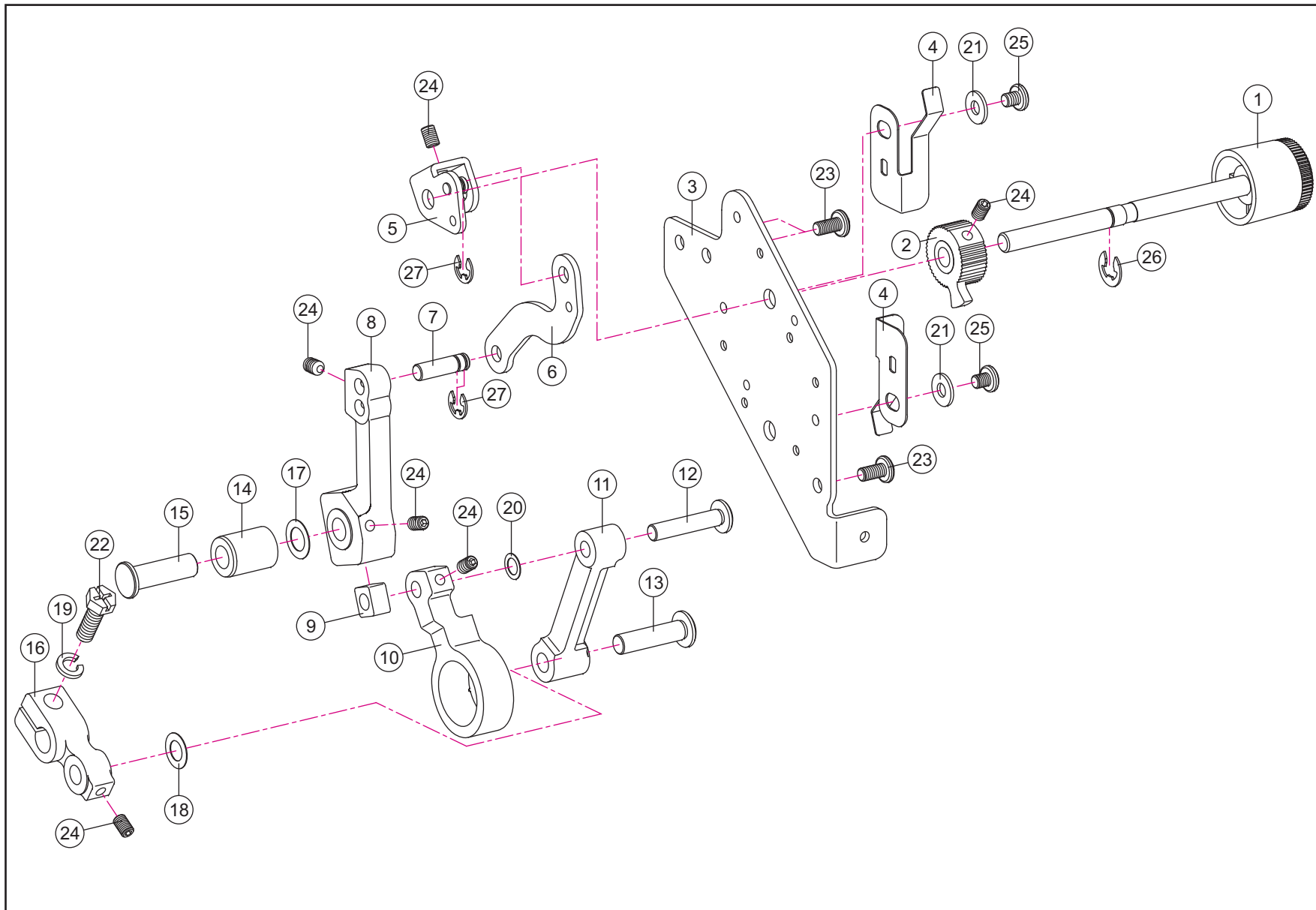
No.	Parts No.	Parts Name	No.	Parts No.	Parts Name
1	J1137	Main shaft	25	ZC15T01I11	Ring
2	M1210	Pin	26	ZW10.2N15B00	Washer
3	J1027-111A~X	Hand wheel	27	ZW07.3N12B00	Washer
4	H1029-111~X	Handwheel cap	28	ZW04.1F14.5H03	Washer
5	A1018-01	Feed cam	29	ZM05L06M71	Set screw
6	A1034-01	Bushing	30	ZM04L10A02	Set screw
7	A10951001	Setting collar	31	ZM04L06M71	Set screw
8	J1050	Needle bar cam	32	ZE06T08E13	E-ring
9	A10081000	Needle bar link	* 33	A1018S	Bushing set (No. 5.31 included)
10	A11201000	Needle bar link pin	* 34	A1095S	Setting collar set (No. 7.31 included)
11	A11571000	Looper cam (A)	* 35	J1050S	Needle bar cam set (No. 8.31 included)
12	J1041	Upper looper shake link	* 36	A1157S	Looper cam (A) set (No. 11.31 included)
13	G12932	Bearing	* 37	J1041S	Upper looper shake link set (No. 12.31 included)
14	G1035-1	Lower looper cam	* 38	G1035-1S	Lower looper cam set (No. 14.31 included)
15	J1042	Lower looper link (A)	* 39	J1042S	Lower looper link (A) set (No. 15.31 included)
16	A40041000	Feed dog supporter slide block	* 40	J1051S	Feed dog cam set (No. 17.31 included)
17	J1051	Feed dog cam	* 41	J1053S	Upper cutter cam set (No. 19.31 included)
18	J1151	Bushing	* 42	G2041S	Looper shaft link (B) set (No. 22.29.31 included)
19	J1053	Upper cutter cam			
20	J1131	Lower looper shaft			
21	G1040-01	Bushing			
22	G2041	Looper shaft link (B)			
23	A10791000	Looper shaft link pin			
24	J1140	Upper looper shaft			



## 7. Needle bar connecting arm

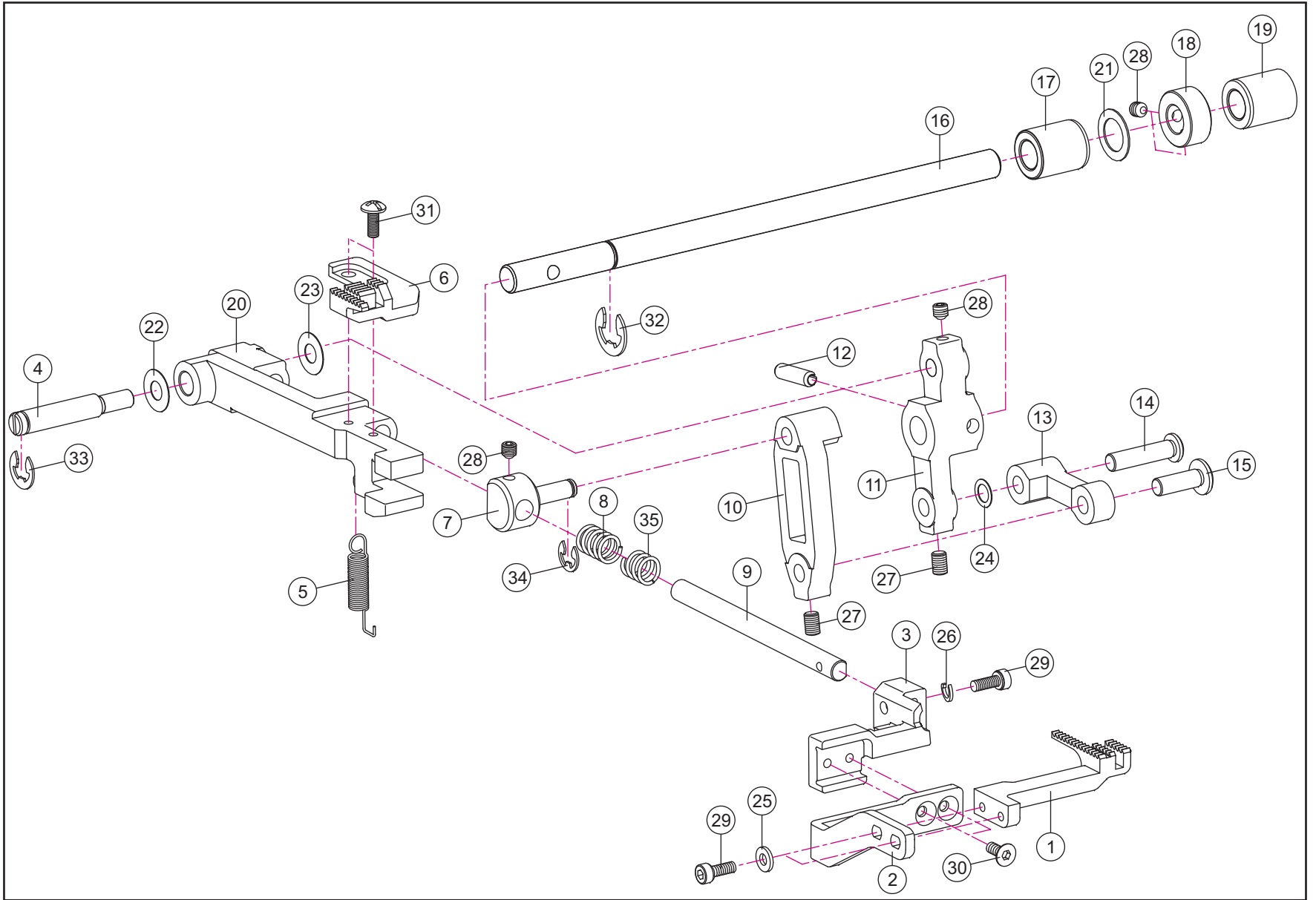
No.	Parts No.	Parts Name
1	H1026-01	Bushing
2	J1134-01	Needle bar drive link shaft
3	J1103-01	Needle bar drive link(L)
4	G1089	Needle bar connecting arm
5	G1088	Needle bar setting link
6	G1383-01	Feed drive link pin (B)
7	G2056	Needle bar thread take-up lever
8	J1104	Needle bar drive link(R)
9	G1040-01	Bushing
10	A10961000	Setting collar
11	ZW06.2N11B00	Washer
12	ZW04S07J12	Washer
13	ZM05L06M71	Set screw
14	ZM04L16Q71	Set screw
15	ZM04L06M71	Set screw
16	ZM04L04M71	Set screw
17	ZM03L06E04	Set screw
* 18	J1103-01S	Needle bar drive link set (L) (No. 3.16 included)
* 19	G1088S	Needle bar setting link set (No. 5.14 included)
* 20	J1104S	Needle bar drive link set ( R ) (No. 8.16 included)
* 21	A1096S	Setting collar set (No. 10.17 included)





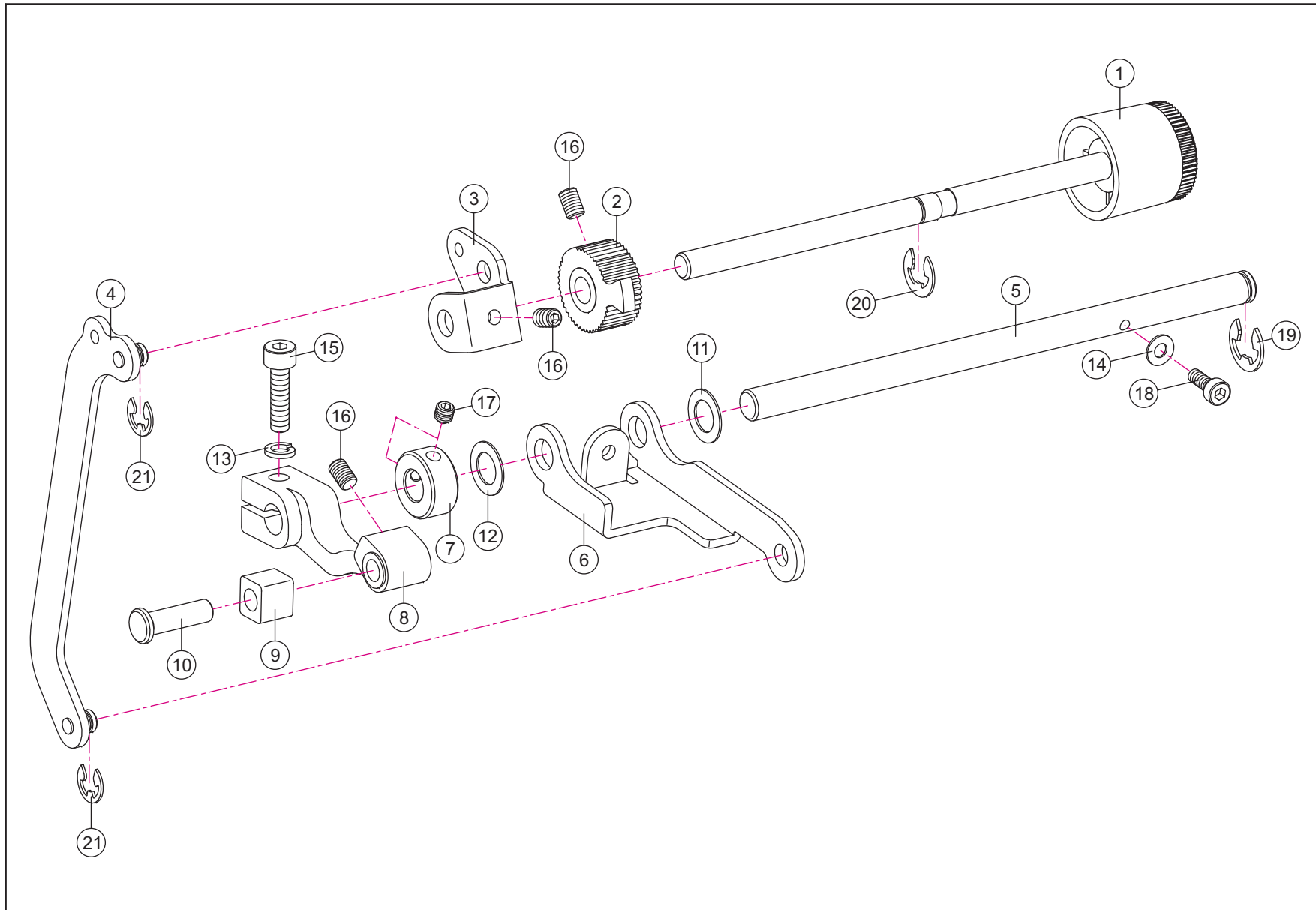
## 8. Stitch length dial

No.	Parts No.	Parts Name
1	J1021P001~X	Stitch length dial
2	J1152	Locating collar
3	J1117	Feed regulate holder
4	J1125	Locating spring
5	J11182	Feed regulate link set
6	J1119	Feed regulate shake link
7	G1344	Feed regulate link pin
8	G1347	Feed slide holder
9	G1099	Feed slide block
10	G1349	Feed driving lever
11	G1351	Feed shake link
12	G1055	Feed dog holder pin
13	G1352	Feed shake link pin
14	A10411000	Bushing
15	A1086-01	Feed regulate holder shaft
16	G1358	Feed link
17	ZW07.3N12B00	Washer
18	ZW06.2N11B00	Washer
19	ZW05.1S08.3L12	Washer
20	ZW05.2N08B00	Washer
21	ZW04.3F10J02	Washer
22	ZM05L15P42	Set screw
23	ZM04L08A02	Set screw
24	ZM04L06M71	Set screw
25	ZM04L04.5A04	Set screw
26	ZE05T06E13	E ring
27	ZE04T06E13	E ring
* 28	J1152S	Locating collar set (No. 2.24 included)
* 29	J1118S	Feed regulate link set (No. 5.24 included)
* 30	G1347S	Feed slide holder set (No. 8.24 included)
* 31	G1349S	Feed driving lever set (No. 10.24 included)
* 32	G1358S	Feed link set (No. 16.19.22.24 included)



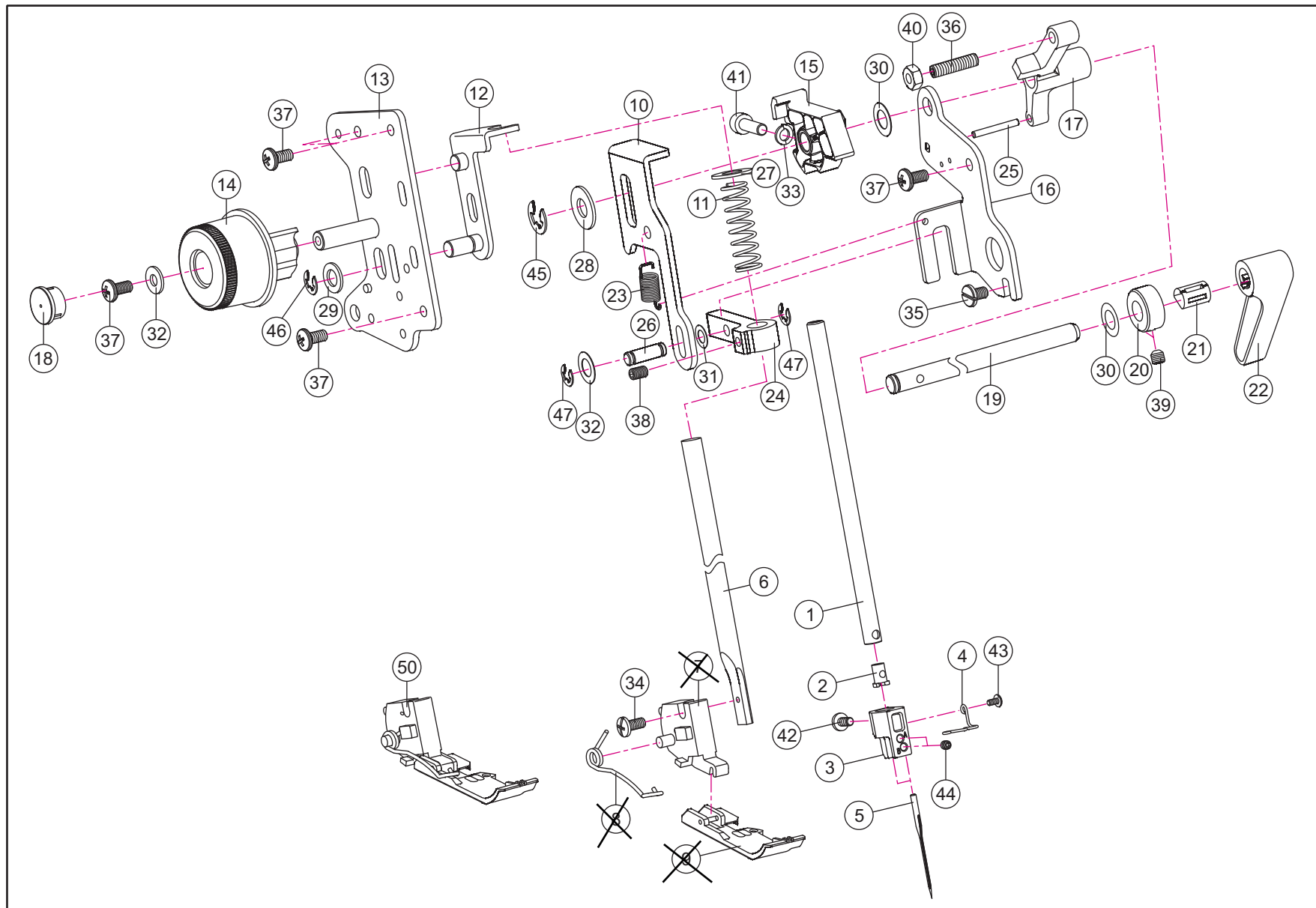
## 9. Feed dog

No.	Parts No.	Parts Name	No.	Parts No.	Parts Name
1	J1037	Feed dog (front)	31	ZM03L08E71	Set screw
2	J1036	Feed dog supporter (front)	32	ZE07T08E13	E ring
3	J1035	Feed dog holder (front)	33	ZE05T06E13	E ring
4	J1038	Eccentric pin	34	ZE04T06E13	E ring
5	J1121	Feed dog holder spring	35	J1192	Spring
6	J1032-01	Feed dog holder (rear)	*36	J1034S	Feed dog driving lever set (No. 7.28 included)
7	J1034	Feed dog driving lever	*37	G1045S	Differential feed slide holder set (No. 10.27 included)
8	J1167	Spring	*38	J1160S	Feed dog shake link set (No. 11.27.28 included)
9	J1033	Feed dog shaft	*39	A1096S	Setting collar set (No. 18.33 included)
10	G1045	Differential feed slide holder			
11	J1160	Feed dog shake link			
12	ZD04L16A11	Spring pin			
13	J1040	Differential feed link			
14	G1050	Differential feed link			
15	J1061	Differential feed link pin			
16	J1123	Differential feed link pin			
17	G1040-1-01	Bushing			
18	A10961001	Setting collar			
19	G1040-01	Bushing			
20	J1031	Feed dog holder			
21	ZW08.2N12B00	Washer			
22	ZW06.5F10E01	Washer			
23	ZW05.5N12B00	Washer			
24	ZW05.2N08B00	Washer			
25	ZW03.2F07J03	Washer			
26	ZW03.1S05G13	Washer			
27	ZM04L06M71	Set screw			
28	ZM04L04M71	Set screw			
29	ZM03L08Q71	Set screw			
30	ZM03L08J71	Set screw			



## 10. Differential feed dial

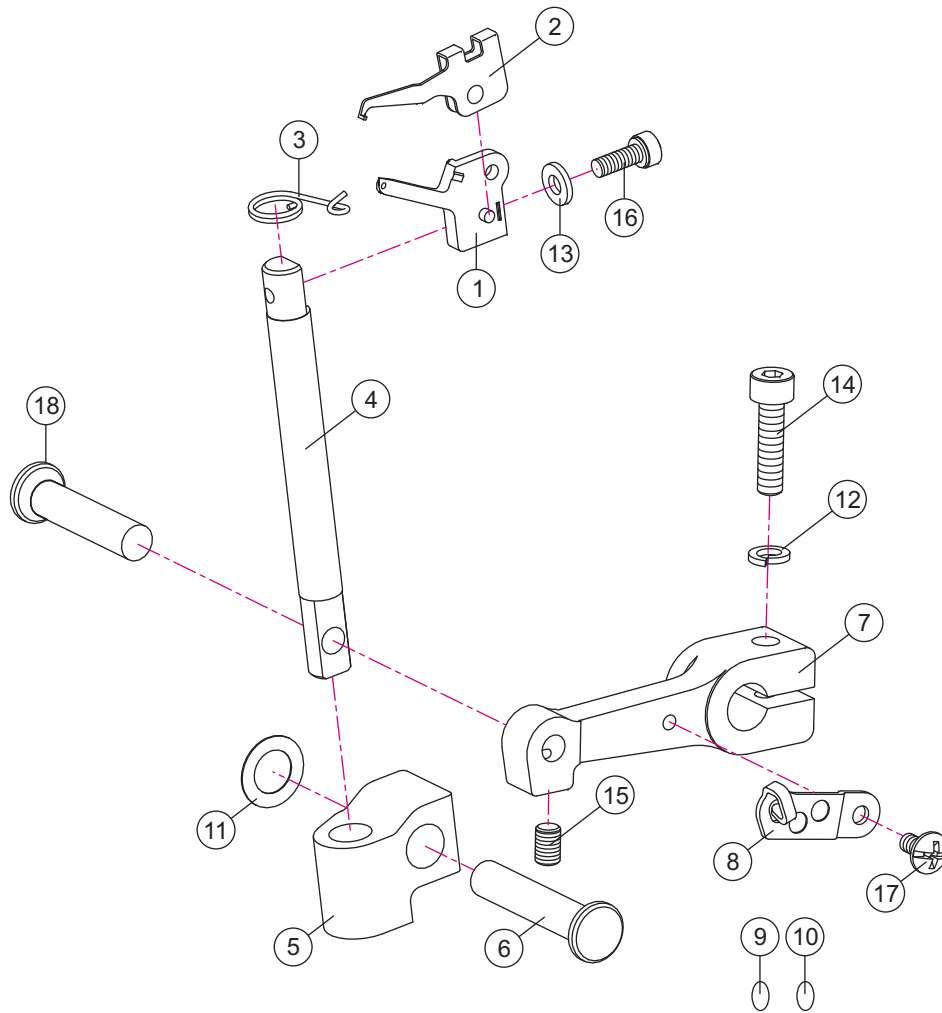
No.	Parts No.	Parts Name
1	J1022-111~X	Differential feed dial
2	J1152	Locating collar
3	J1054	Differential feed regulator (A)
4	J10552	Differential feed regulated link set
5	J1058	Differential feed regulated shaft
6	J1056	Differential feed regulator (B)
7	A10941001	Setting collar
8	J1159	Differential feed regulated holder
9	G1046	Differential feed slide block
10	A10791000	Looper shaft link pin
11	ZW07.3F12E01	Washer
12	ZW07.3N12B00	Washer
13	ZW04S07J12	Washer
14	ZW03.2F07E03	Washer
15	ZM04L16Q71	Set screw
16	ZM04L06M71	Set screw
17	ZM04L04M71	Set screw
18	ZM03L08Q71	Set screw
19	ZE06T08E13	E ring
20	ZE05T06E13	E ring
21	ZE04T06E13	E ring
* 22	J1152S	Locating collar set (No. 2.16 included)
* 23	J1054S	Differential feed regulator (A) set (No. 3.16 included)
* 24	A1094S	Setting collar set (No. 7.17 included)
* 25	J1159S	Differential feed regulated holder set (No. 8.13.15.16 included)



# 11. Needle bar/ Presser bar/ Presser foot

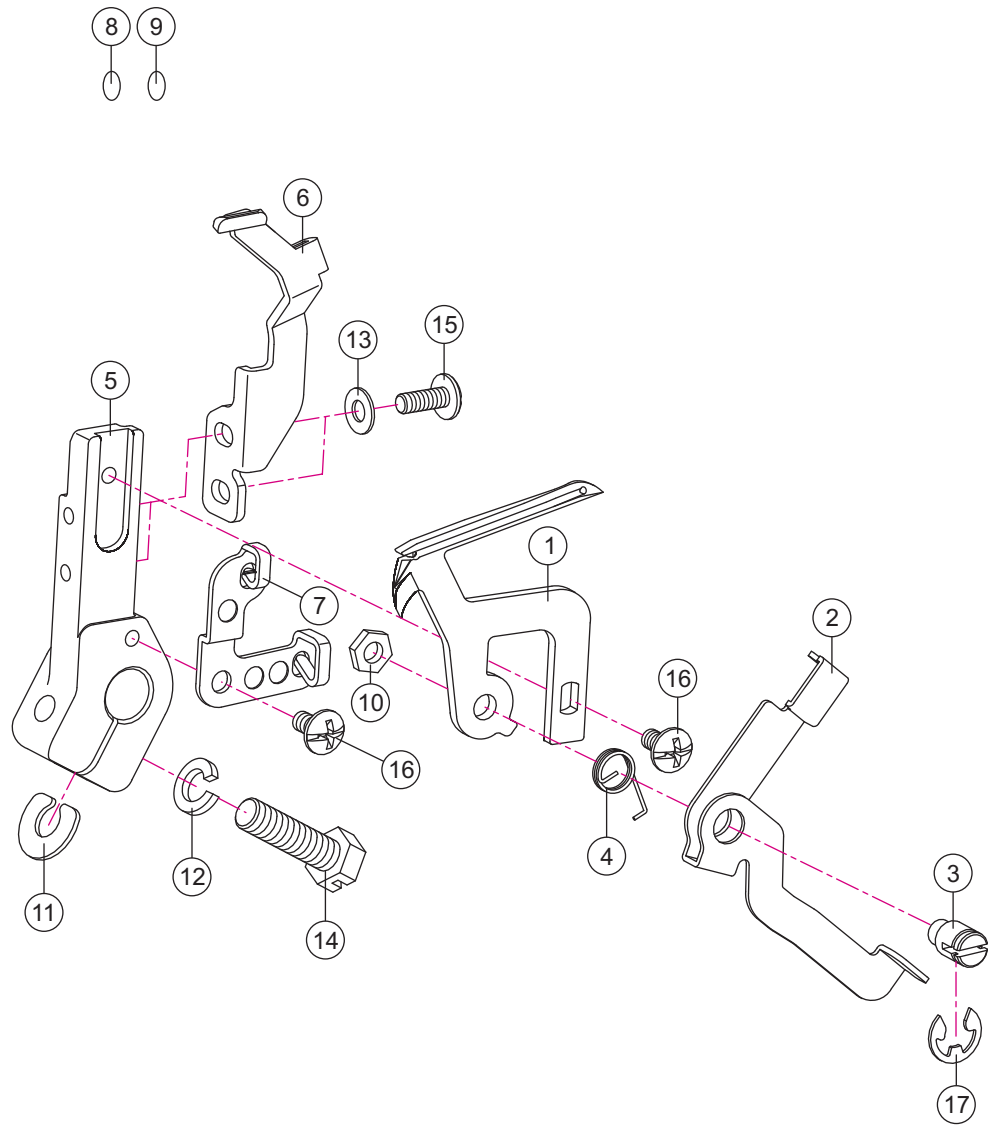
No.	Parts No.	Parts Name	No.	Parts No.	Parts Name
1	G1362	Needle bar	29	ZW06.1F11J11	Washer
2	G1361-01	Needle clamp nut	30	ZW06.2N11B00	Washer
3	E10102	Needle clamp	31	ZW04.1N08B00	Washer
4	A11101000	Needle clamp thread guide	32	ZW04.3F10J02	Washer
5	A1K044000	Needle	33	ZW03.1S05G13	Washer
5	A1K014000	Needle	34	Z0964L08A14	Set screw
5	A1K051000	Needle	35	G1279	Set screw
5	A1K06	Needle	36	ZM04L16L71	Set screw
6	G1266	Presser bar	37	ZM04L08A02	Set screw
7	<del>A1A021004</del>	<del>Presser bar holder</del>	38	ZM04L06M71	Set screw
8	<del>G1022</del>	<del>Spring</del>	39	ZM04L04M71	Set screw
9	<del>G2016</del>	<del>Presser foot</del>	40	ZM04H02.4H03	Set screw
10	J1109	Presser bar lifting plate	41	ZM03L10Q71	Set screw
11	G2066	Presser bar spring	42	ZM03L06A04	Set screw
12	J11102	Pressure regulator	43	ZM02L04E44	Set screw
13	J11082	Needle bar locate support	44	ZM03L05N71	Set screw
14	J1020P001~X	Presser bar dial	45	ZE05T06E13	E ring
15	J1106	Presser bar lifter	46	ZE04T06E13	E ring
16	J1158-01	Presser bar setting bar holder	47	ZE03T06E13	E ring
17	J1105	Release drive link	48	G1362A	Needle clamp set (No.1.2.3.4.42.43.44 included)
18	H1030-111	Screw cap	49	G1362F	Needle clamp set (No. 6.48 included)
19	J1136	Presser bar control shaft	50	G20762	Presser foot (No.7.8.9 included)
20	G2040	Setting collar	51	J1105A	Release drive link set (No.17.25.36.40 included)
21	J1097	Spring	* 52	J1142S	Presser bar setting link swt (No.24.38 included)
22	J1024-111~X	Presser bar handle	53	J1024-111A~X	Presser bar handle set (No.21.22 included)
23	J1144	Presser bar lifting plate spring	* 54	G2040S	Setting collar set (No.20.39 included)
24	J1142	Presser bar setting link			
25	G1144	Pin			
26	J1059	Presser bar setting link pin			
27	ZW07.3F15J03	Washer			
28	ZW06.4F14J02	Washer			





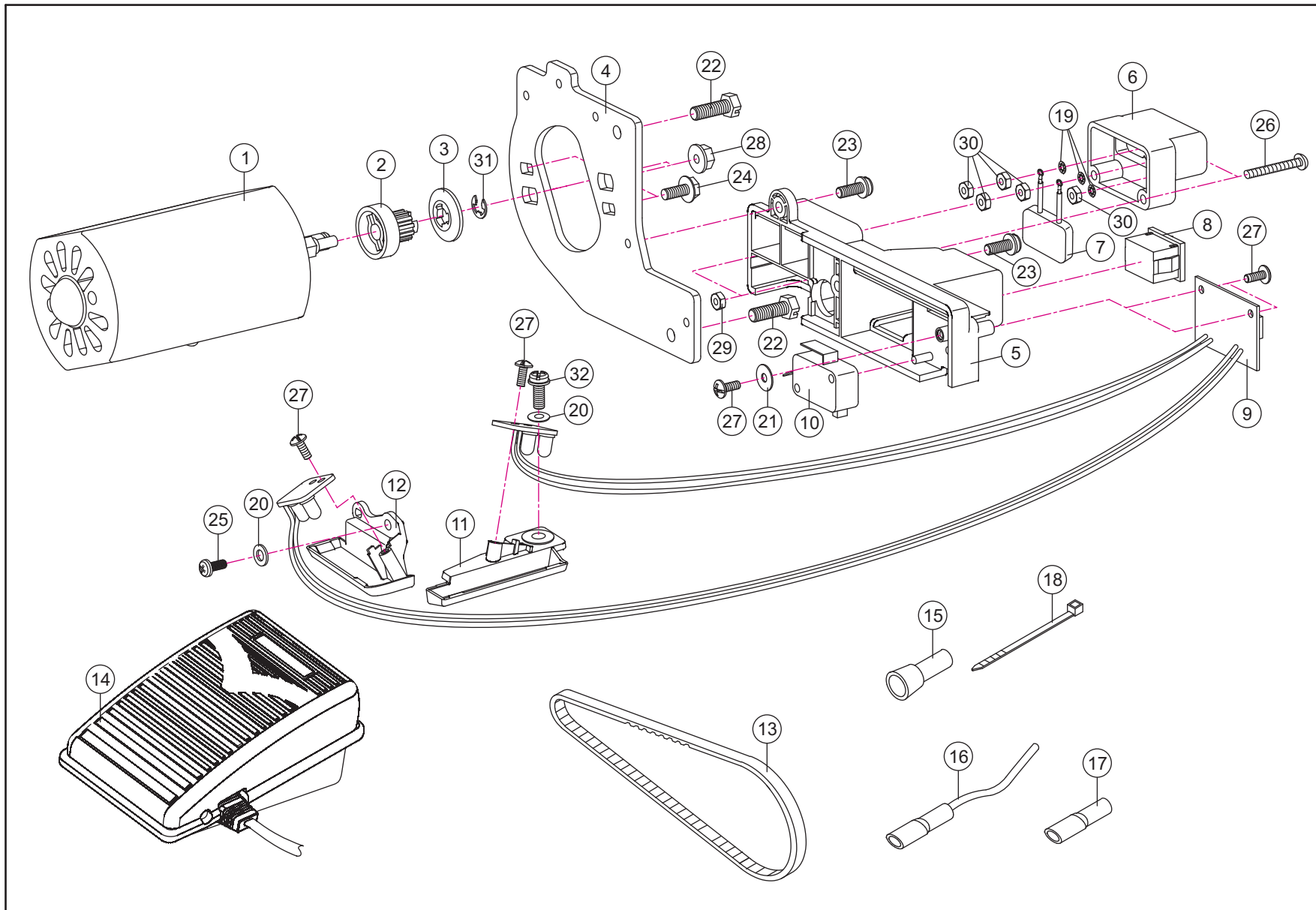
## 12. Upper looper

<u>No.</u>	<u>Parts No.</u>	<u>Parts Name</u>	<u>No.</u>	<u>Parts No.</u>	<u>Parts Name</u>
1	G1261	Upper looper	18	G1296	Slide shaft pin
2	G1303	2-thread converter	*19	G2032S	Upper looper connecting arm set (No. 7.12.14.15 included)
3	G1271	Upper looper threading guide	*20	J1169A	Lower looper thread take-up lever set (No. 8.9.10 included)
4	G1263	Slide shaft			
5	J1102	Slide shaft holder			
6	J1111	Slide shaft holder pin			
7	G2032	Upper looper connecting arm			
8	J1169	Lower looper thread take-up lever			
9	A11481250	Color sticker (green)			
10	A11481235	Color sticker (red)			
11	ZW07.3N12B00	Washer			
12	ZW04S07J12	Washer			
13	ZW03.2F07J03	Washer			
14	ZM04L16Q71	Set screw			
15	ZM04L06M71	Set screw			
16	ZM03L08Q71	Set screw			
17	ZM03L06E04	Set screw			



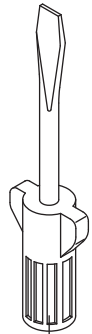
## 13. Lower looper

No.	Parts No.	Parts Name
1	J1064	Lower looper
2	J1072	Auto threader
3	G1149	Auto threader shaft
4	A30051001	Auto threader spring
5	J1063	Lower looper supporter
6	J1065	Lower looper protect board
7	J1155	Lower looper thread guide
8	A11481250	Color sticker (green)
9	A11481235	Color sticker (red)
10	G2069	Nut
11	G1287	Washer
12	ZW05.1S08.3L12	Washer
13	ZW03.2F07E03	Washer
14	ZM05L18P02	Set screw
15	ZM03L08E71	Set screw
16	ZM03L06E04	Set screw
17	ZE04T06E13	E ring
*18	J1063S	Lower looper supporter set (No. 5.12.14 included)
*19	J1155A	Lower looper thread guide set (No. 7.8.9 included )



## 14. Electronic parts

No.	Parts No.	Parts Name	No.	Parts No.	Parts Name
1	<del>3M-803A404</del>	<del>Motor (100V)</del>	14	<del>4C-326G25</del>	<del>Foot controller (240V) U.K.</del>
1	<del>KM-6390U</del>	<del>Motor (115V)</del>	14	<del>4C-326G26</del>	<del>Foot controller (220V) Philippines</del>
1	<del>WM-298I-926</del>	<del>Motor (220V/ 60Hz/ 90W)</del>	14	<del>4C-326G35</del>	<del>Foot controller (240V) Saudi Arabia</del>
1	WM-298I-9	Motor (230V/ 50Hz/ 90W)	14	<del>4C-326G36</del>	<del>Foot controller (240V) India</del>
1	<del>WM-298D-9S</del>	<del>Motor (230V/ 60Hz/ 120W)</del>	15	EE0191000	C4 End terminal
2	A11411000	Timing belt pulley	16	EE0501000	Terminal W/transparent insulation tube
3	A11421000	Timing belt pulley cover	17	EE0511184	Terminal W/un-transparent insulation tube
4	J1128-01	Motor supporter	18	EE0112004	Cord clip
5	J1028-111	Switch supporter	19	M9838	Washer
6	M6834Z	Machine socket	20	ZW04.3F10J02	Washer
6	3SRF-2	Machine socket	21	ZW03.3F10J02	Washer
7	KC98-18	Condenser for 220V~240V	22	ZM05L15P42	Set screw
7	KC98-18S	Condenser for 220V~240V	23	ZM04L10W02	Set screw
8	EE378	Switch	24	ZM04L10R42	Set screw
9	<del>J11302</del>	<del>LED PCB (115V)</del>	25	ZM04L08A02	Set screw
9	J11572	LED PCB (230V)	26	ZM03L20C43	Set screw (M6834Z)
9	<del>J12132</del>	<del>LED PCB (220V)</del>	26	ZM03L22C42	Set screw (3SRF-2)
10	EE619	Micro switch	27	ZM03L08F42	Set screw
11	J1174	LED PCB holder (B)	28	<del>ZM04H05F02</del>	<del>Nut (115V)</del>
12	J1173	LED PCB holder (A)	29	ZM03H02.5H03	Nut (230V)
13	H1011	Timing belt	30	ZM03H02.4H03	Nut (100V*3PCS / 120V*3PCS / 220V~240V*5PCS)
14	<del>4C-315A221</del>	<del>Foot controller (100V) Japan</del>	31	ZE04T06E13	E ring
14	<del>4C-316B22</del>	<del>Foot controller (115V) U.S.A.</del>	32	ZM04L10A02	Set screw
14	<del>4C-316C24</del>	<del>Foot controller (220V) Argentina</del>			
14	<del>4C-316C26</del>	<del>Foot controller (220V) Korea</del>			
14	<del>4C-316C28</del>	<del>Foot controller (220V) The Middle East</del>			
14	<del>4C-316C38</del>	<del>Foot controller (220V) The Middle East Grey</del>			
14	<del>4C-326C22</del>	<del>Foot controller (220V) South Africa</del>			
14	<del>4C-326C23</del>	<del>Foot controller (240V) Aus. &amp; New Zealand</del>			
14	4C-326G22	Foot controller (220V) Europe			
14	<del>4C-326G24</del>	<del>Foot controller (220V) Argentina</del>			



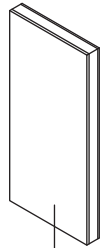
1



2



3



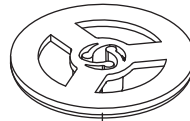
4



5



6



7



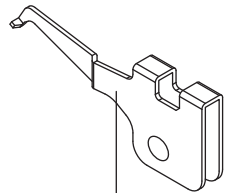
8



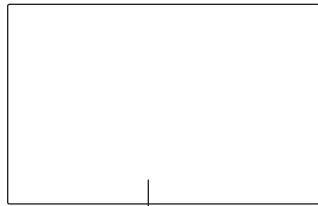
9



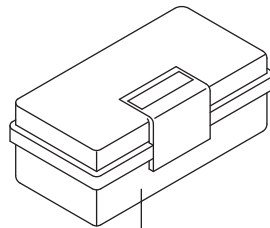
10



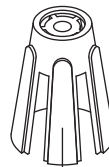
11



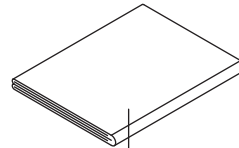
12



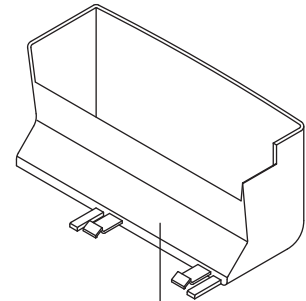
13



14



16



16

## 15. Accessories

No.	Parts No.	Parts Name
1	A1F011211	Flat blade screw driver
2	A1E011000	Oiler
3	A1I011000	Brush
4	<del>A1K053000</del>	<del>Needle set</del>
4	<del>600172-000</del>	<del>Needle set</del>
4	<del>A1K082</del>	<del>Needle set</del>
4	<del>A1J013000</del>	<del>Needle set</del>
5	A1L011000	Anti-spill net
6	J1088	Upper cutter
7	A1C01-111	Thread unwinding spool cap
8	H10422-01	Needle threader
9	A1V011-111	Screw driver
10	H1032	Tweezers
11	G1303	2-thread converter set
12	J1221	Stitch tension sticker
13	G2071	Accessory box
14	A1V011-111	Spool holder
15	J1172	Dust cover
16	G2064-111	Chip box
17	G	A



