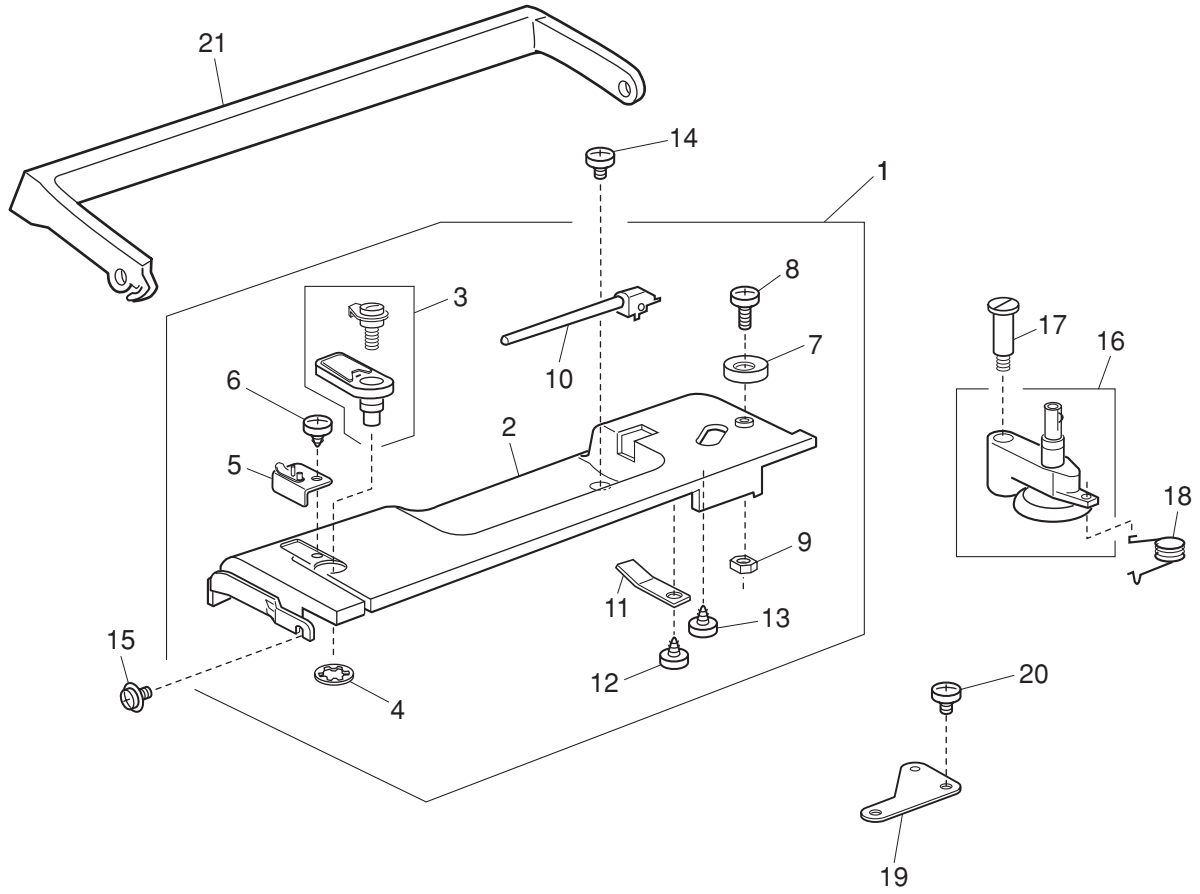


PARTS LIST

MODEL: N360

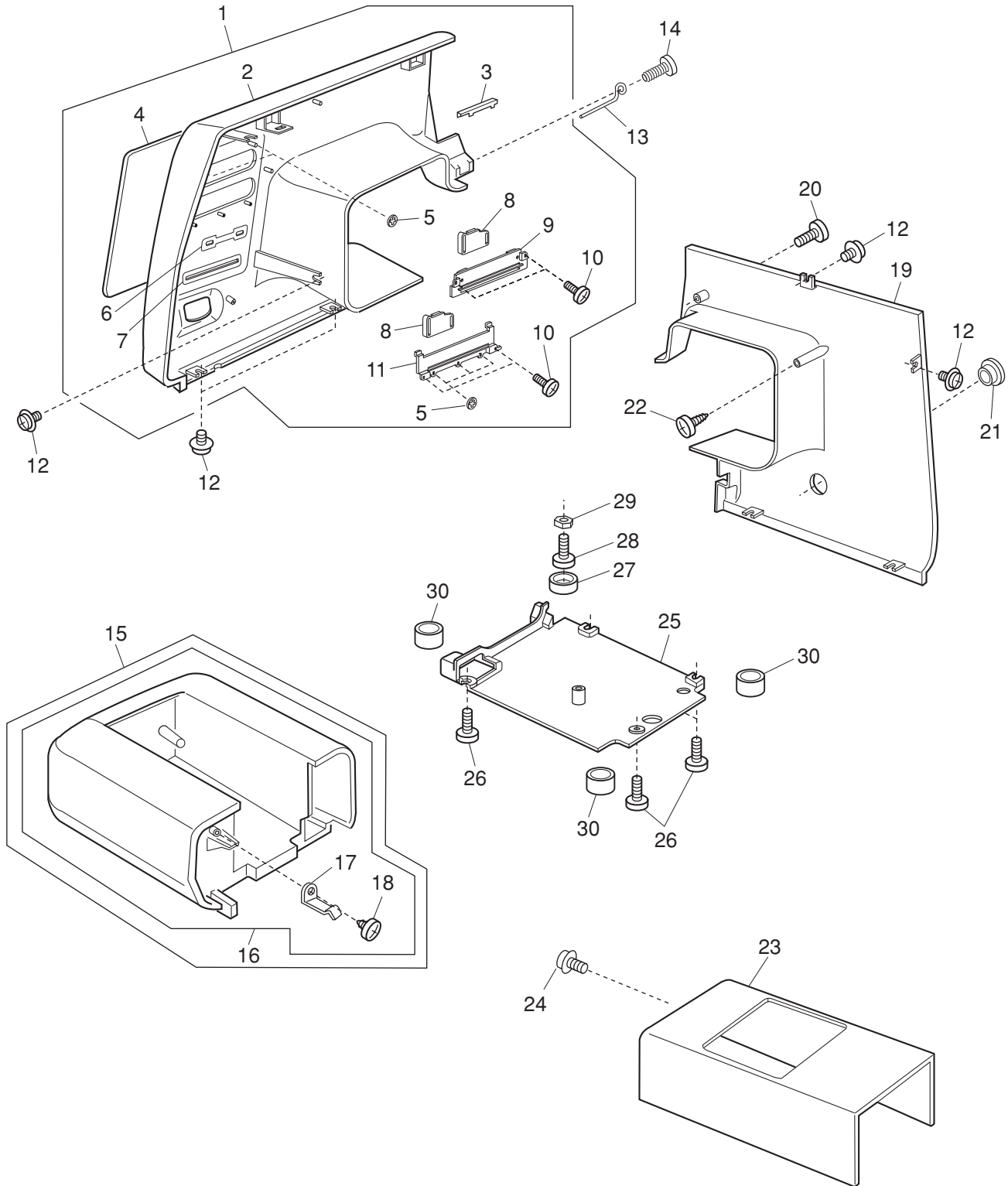
PARTS LIST



PARTS LIST

KEY NO.	PARTS NO.	DESCRIPTION
1	505602008	Top cover (unit)
2	505003106	Top cover
3	650503702	Upper thread guide (unit)
4	000014409	Snap ring CS-8
5	827503005	Top cover thread guide (unit)
6	000162001	Setscrew 2.6x5 (B)
7	505062000	Bobbin winder stopper
8	000104119	Setscrew 4x20
9	000061205	Hexagonal nut 4-3-7
10	505067005	Spool pin
11	724207004	Spring
12	000120203	Setscrew 3x8 (B)
13	000109309	Setscrew 3x10
14	000101426	Setscrew 4x6
15	000115205	Setscrew TP 4x6
16	652506000	Bobbin winder (unit)
17	652093009	Hinge screw
18	505071002	Bobbin winder arm spring
19	505051006	Top cover supporter plate (right)
20	000081005	Setscrew 4x8
21	505006305	Carrying handle

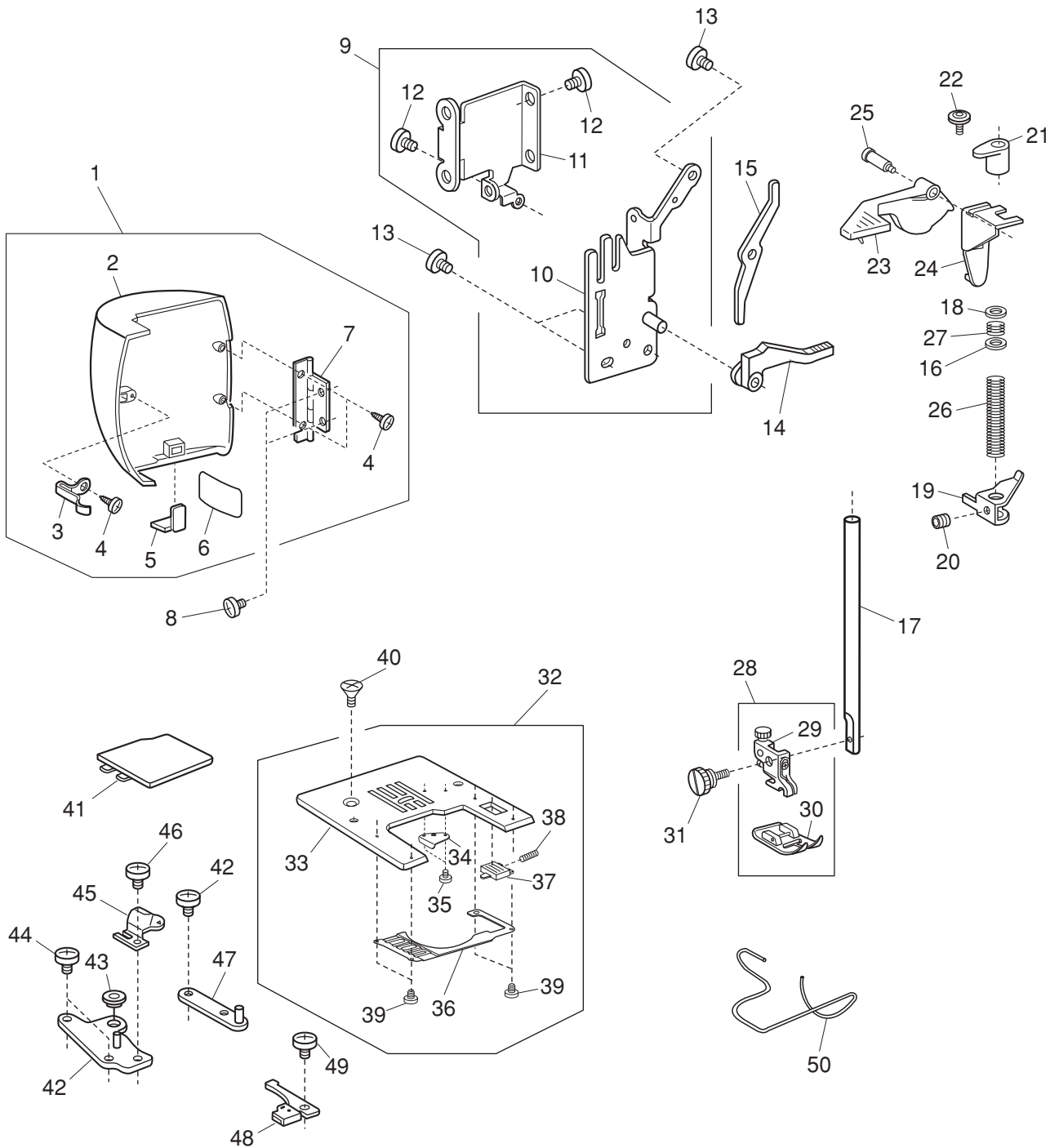
PARTS LIST



PARTS LIST

KEY NO.	PARTS NO.	DESCRIPTION
1	505613079	Front cover (unit)
2	505034298	Front cover
3	753125007	Thread supporting plate
4	505035808	Pattern selection plate
5	000014007	Snap ring CS-4
6	505055000	Indicating window 1
7	505056207	Indicating window 2
8	505036108	Stitch length stitch width control
9	505037006	Button base 1
10	000161206	Setscrew 3x10 (B)
11	505052007	Button base 2
12	000115607	Setscrew TP 4x8
13	753126008	Arm thread guide
14	000092917	Setscrew 3.5x27
15	505601007	Extension table comp (unit)
16	505501006	Extension table (unit)
17	751096002	Extension table spring
18	000120203	Setscrew 3x8 (B)
19	505001403	Back cover
20	000104119	Setscrew 4x20
21	653006101	Cap
22	000121905	Setscrew 4x12 (B)
23	756003100	Free arm cover
24	000101404	Setscrew 4x6
25	756001005	Base lid
26	000103509	Setscrew 4x10
27	735002001	Rubber base
28	000097808	Setscrew 5x25
29	000061412	Hexagonal nut 5-3-8
30	647009002	Bed rubber cushion

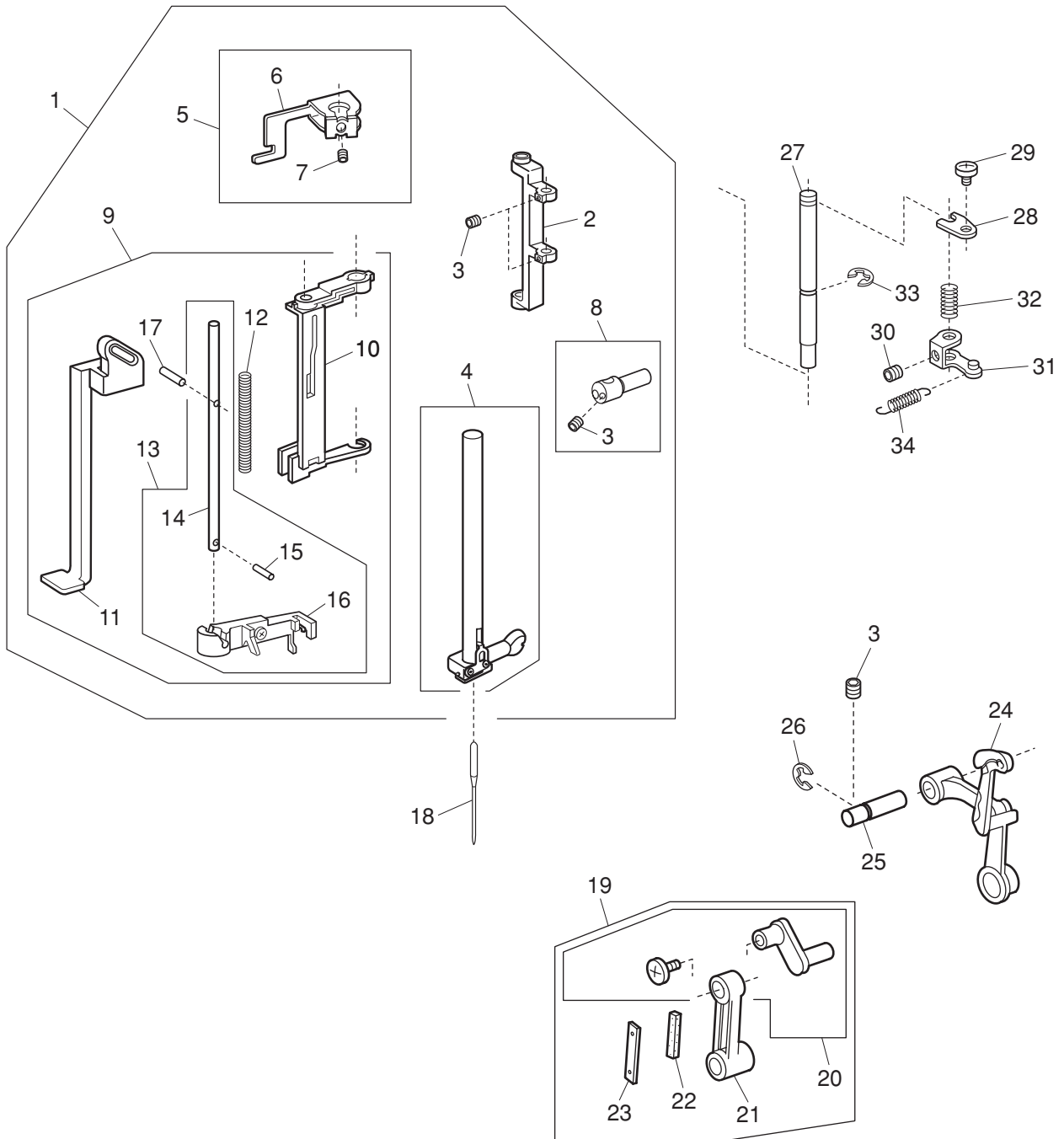
PARTS LIST



PARTS LIST

KEY NO.	PARTS NO.	DESCRIPTION
1	505624109	Face cover (unit)
2	505073200	Face cover
3	731067002	Face cover spring
4	000161206	Setscrew 3x10 (B)
5	840602006	Thread cutter (unit)
6	724025006	Face cover sticker (2)
7	851503103	Face cover hinge (unit)
8	000081119	Setscrew 4x6
9	505616005	Presser base plate (unit)
10	751345010	Presser base plate
11	505008008	Face cover set plate
12	000101404	Setscrew 4x6
13	000081005	Setscrew 4x8
14	735029004	Presser foot lifter
15	751142004	Tension release lever
16	652201002	Washer
17	827021004	Presser bar
18	826055004	Washer
19	735028003	Presser bar supporter
20	000111500	Hexagonal socket screw 4x8
21	652104004	Presser bar bushing
22	000193001	Setscrew TP 4x6
23	505043005	Foot adjusting lever
24	829014000	Foot regulating plate
25	820090003	Hinge screw
26	826006000	Presser bar spring
27	826056005	Presser bar support spring
28	685503010	Zigzag foot (unit)
29	804509000	Foot holder (unit)
30	685502019	Presser foot
31	647112009	Thumbscrew
32	756604509	Needle plate (unit)
33	756008105	Needle plate
34	654078004	Bobbin holder set plate
35	820373003	Setscrew 2x3
36	825016000	Hook cover plate release button
37	825017001	Hook cover plate holder spring
38	820374004	Setscrew 2x2.3
39	751374007	Hook cover plate holder
40	820390109	Needle plate setscrew
41	750036012	Hook cover plate
42	751008007	Needle plate adjusting plate (left)
43	822314002	Nut
44	000066705	Setscrew 3x8
45	822011109	Bobbin holder stopper
46	000103808	Setscrew 3x5
47	751009008	Needle plate adjusting plate (right)
48	751502109	Shuttle hook stopper (unit)
49	810220003	Setscrew
50	687803101	Finger guard

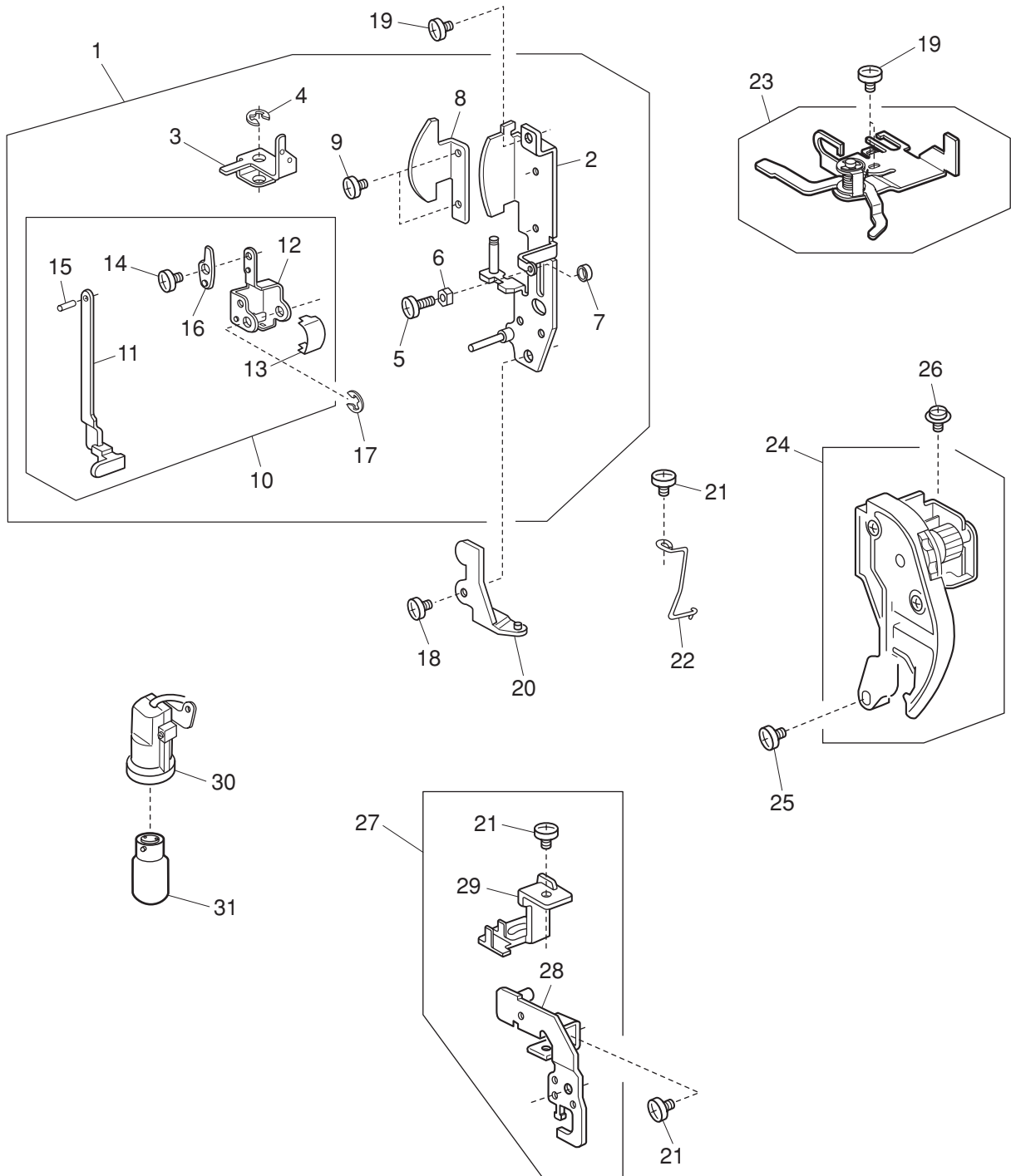
PARTS LIST



PARTS LIST

KEY NO.	PARTS NO.	DESCRIPTION
1	755627011	Needle bar supporter (unit)
2	751014006	Needle bar supporter
3	000111201	Hexagonal socket screw 4x4
4	751630015	Needle bar (unit)
5	807607019	Threader position set plate (unit)
6	807018109	Threader position set plate
7	000111902	Hexagonal socket screw 3x4
8	507521008	Needle bar connecting stud (unit)
9	755626009	Needle threader (unit)
10	755062001	Needle threader frame
11	755063002	Needle threader lever
12	755067006	Needle threader spring
13	755625008	Needle threader shaft (unit)
14	755066005	Needle threader shaft
15	000003508	Spring pin 2x8
16	755643002	Threader plate (unit)
17	000125105	Guide pin E-2x16-CH
18	102408089	Needle
19	846615000	Needle bar crank rod (unit)
20	652512009	Needle bar crank pin (unit)
21	650039001	Needle bar crank rod
22	650040005	Oil felt
23	650041006	Felt holder spring
24	820511108	Thread take up lever (unit)
25	650062003	Thread take up lever pin
26	000002806	Snap ring E-6
27	650033005	Supporter shaft
28	650034006	Supporter shaft set plate
29	000101404	Setscrew 4x6
30	000111108	Hexagonal socket screw 4x6
31	650035007	Zigzag width crank
32	650036008	Spring
33	000001609	Snap ring E-5
34	686085003	Spring

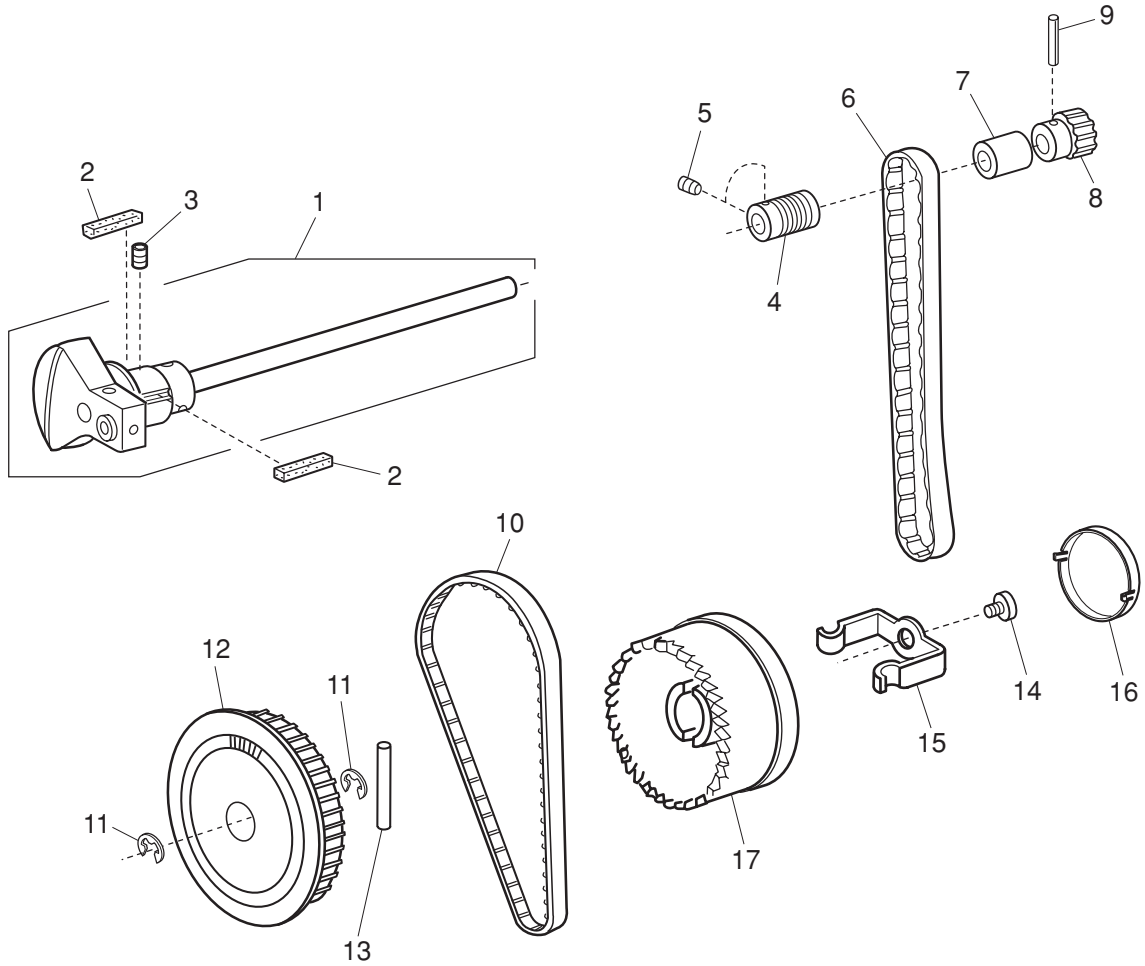
PARTS LIST



PARTS LIST

KEY NO.	PARTS NO.	DESCRIPTION
1	505618007	Front base plate (unit)
2	505061009	Front base plate
3	751022007	Pulling bar link (front)
4	000002105	Snap ring E-3
5	000070001	Setscrew 4x14
6	000160102	Adjustable lock nut 4
7	685042005	Supporter stopper
8	505065003	Switch set plate
9	000103808	Setscrew 3x5
10	751657007	BH lever comp. (unit)
11	751610008	BH lever (unit)
12	753026203	BH lever supporter plate
13	753027008	Friction spring
14	652203004	Setscrew 3x3.5
15	000023009	Spring pin 1.6x4
16	753029000	BH lever adjusting plate
17	000001207	Snap ring E-2.5
18	000103509	Setscrew 4x10
19	000081005	Setscrew 4x8
20	755074006	Threader guide
21	000101404	Setscrew 4x6
22	652137006	Arm thread guide
23	505610009	Tension release arm (unit)
24	505503008	Thread tension regulator (unit)
25	000101703	Setscrew 4x12
26	000115205	Setscrew TP 4x6
27	505625007	Carrying handle supporter plate (front) (unit)
28	505074005	Carrying handle supporter plate (front)
29	751020027	Threader bar guide
30	505626008	Lamp socket (unit)
31	000009009	Light bulb 240V 15W

PARTS LIST

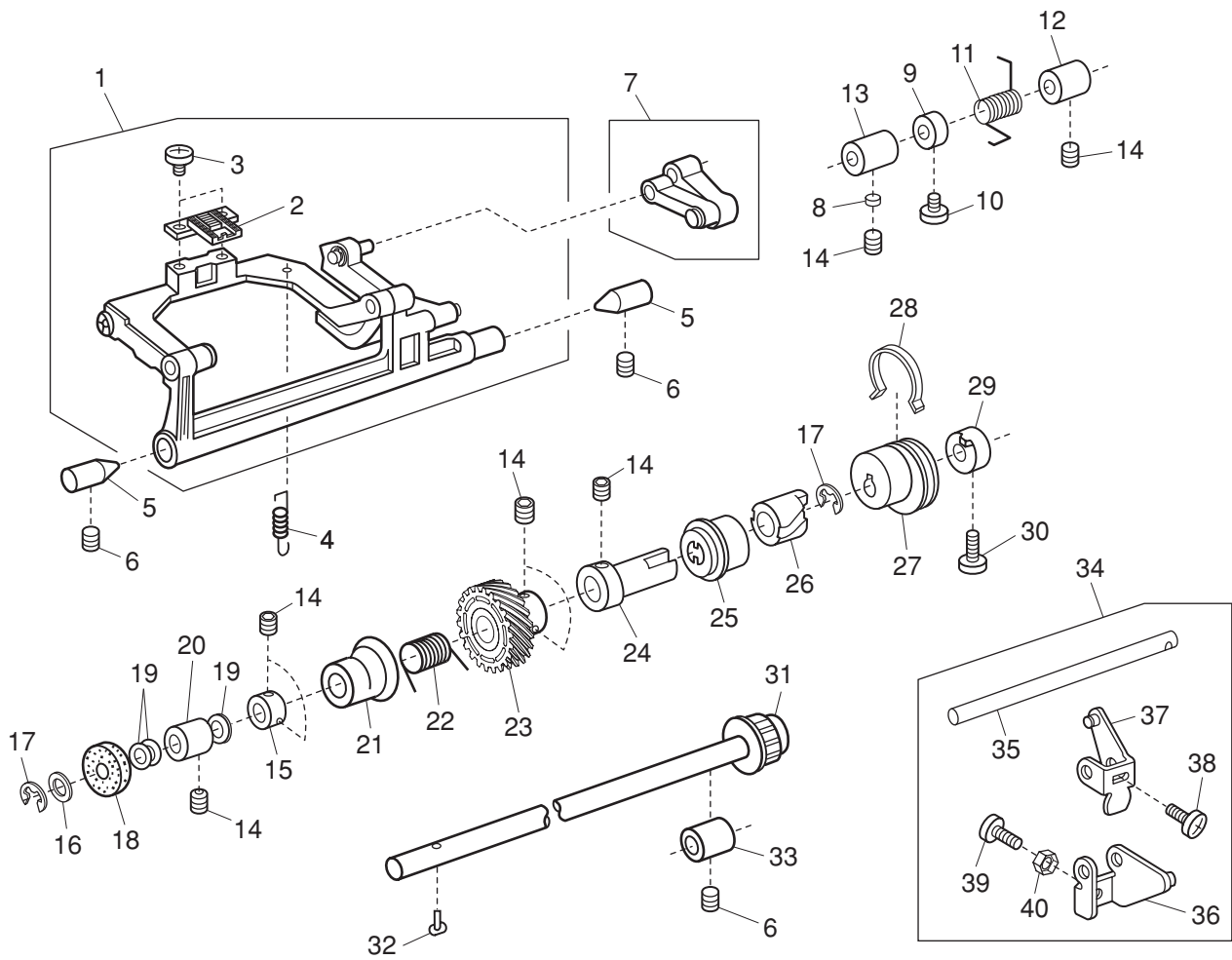


PARTS LIST

KEY NO.	PARTS NO.	DESCRIPTION
1	756504003	Upper shaft (unit)
2	731384008	Felt
3	000111304	Hexagonal socket screw 5x5
4	757072000	Worm
5	000111201	Hexagonal socket screw 4x4
6	650071016	Timing belt
7	673062004	Upper shaft rear bushing
8	756017004	Upper shaft timing gear
9	000020501	Spring pin 3x22
10	653139012	Timing belt
11	000030205	Snap ring E-8
12	756018005	Belt wheel
13	000023803	Spring pin 4x40
14	000081005	Setscrew 4x8
15	639113016	Clutch spring
16	650070509	Clutch cap
17	639097024	Handwheel

PREFISSO "J"

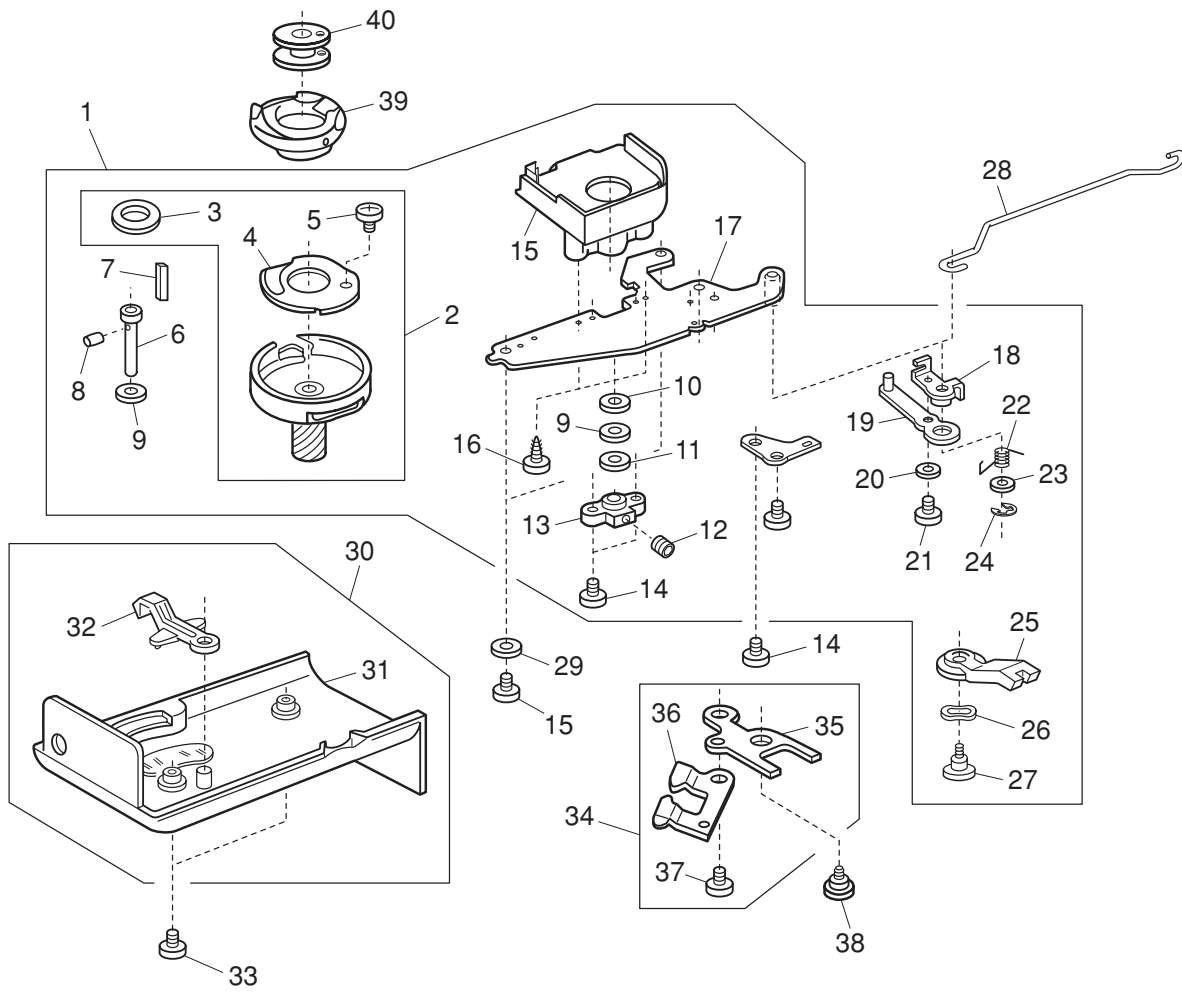
PARTS LIST



PARTS LIST

KEY NO.	PARTS NO.	DESCRIPTION
1	751640306	Feed shaft (unit)
2	840005003	Feed dog
3	000104005	Setscrew 3.5x8
4	650085002	Spring
5	738055008	Straight pin
6	000111304	Hexagonal socket screw 5x5
7	650612004	Feed regulator (unit)
8	650175000	Cushion
9	820387000	Ring
10	000081005	Setscrew 4x8
11	652050004	Regulator spring
12	650092002	Feed shaft bushing (rear)
13	625144002	Bushing (front)
14	000111201	Hexagonal socket screw 4x4
15	820166001	Ring
16	858177002	Washer
17	000002806	Snap ring E-6
18	735143005	Felt
19	000038502	Washer
20	650078002	Lower shaft bushing (front)
21	753183025	Feed lifting cam
22	686035008	Spring
23	808137005	Lower shaft gear
24	756021104	Ring
25	756020000	Reverse feed ring (2)
26	756019006	Reverse feed ring (1)
27	625120105	Feed cam
28	627207000	Spring
29	650074008	Feed cam ring
30	000121606	Setscrew 3x12 (S)
31	756617000	Lower shaft (unit)
32	820161006	Feed lifting pin
33	650079003	Lower shaft bushing (rear)
34	751613001	Feed adjusting shaft arm (unit)
35	751024009	Feed shaft
36	751098004	Feed adjusting shaft arm
37	653078104	Feed shaft plate
38	000100403	Setscrew 3x14
39	000070001	Setscrew 4x14
40	000160102	Adjustable lock nut 4

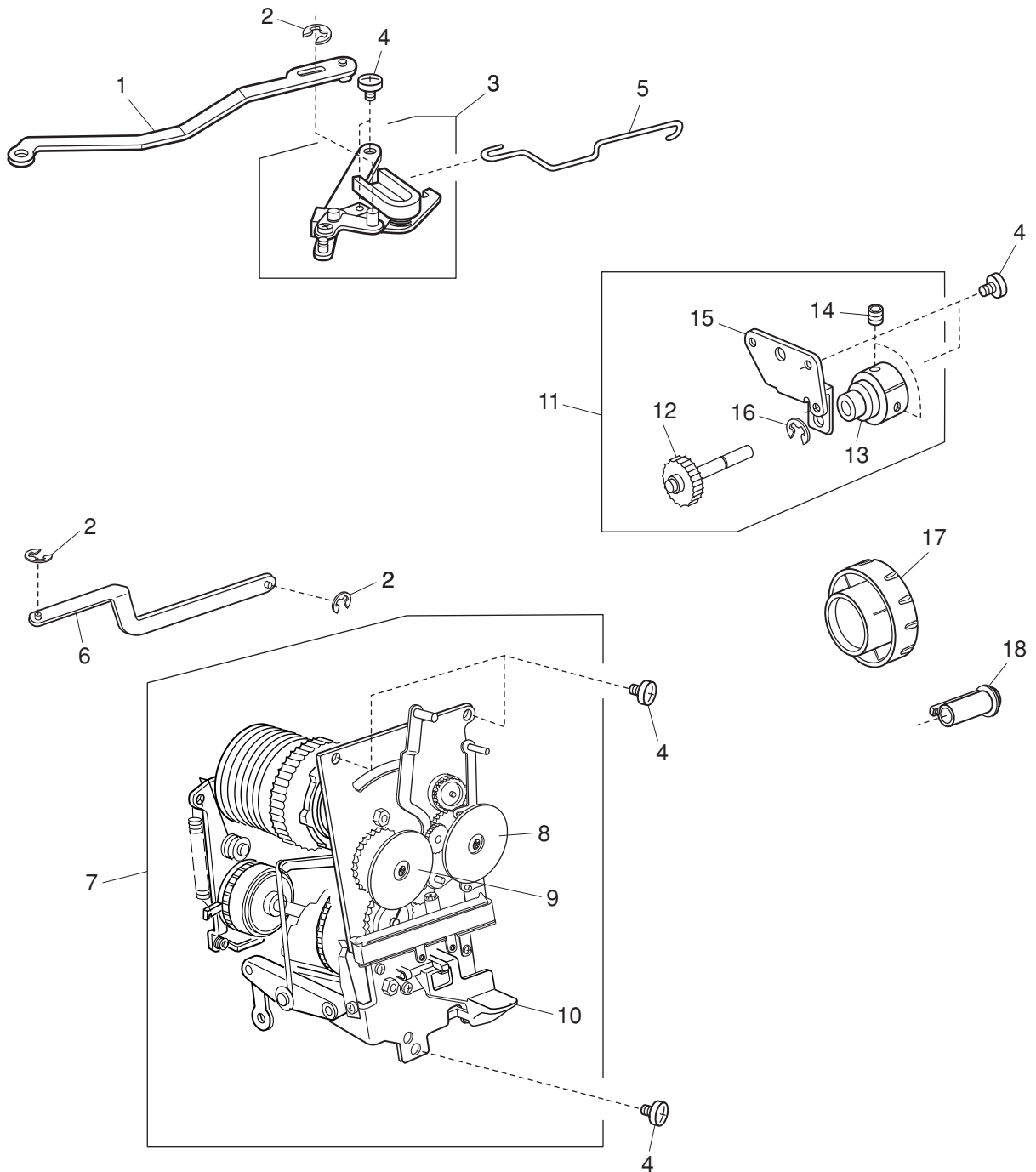
PARTS LIST



PARTS LIST

KEY NO.	PARTS NO.	DESCRIPTION
1	756630308	Hook (unit)
2	652623004	Shuttle body (unit)
3	627190010	Hook race magnet
4	508137006	Hook race bottom plate
5	820374004	Setscrew 2x2.3
6	820123006	Hook driver shaft
7	820124007	Hook shaft oil felt (1)
8	820125008	Hook shaft oil felt (2)
9	000038409	Washer
10	627192001	Washer
11	625102008	Plain washer
12	000111304	Hexagonal socket screw 5x5
13	650094004	Hook shaft base
14	000081005	Setscrew 4x8
15	827040009	Hook gear cover
16	000107204	Setscrew 3x12 (B)
17	756022013	Hook base plate
18	650097007	Feed shift arm
19	650098008	Feed shift plate
20	000070218	Plain washer 3
21	000103808	Setscrew 3x5
22	650099009	Feed shift spring
23	650023002	Washer
24	000002105	Snap ring E-3
25	756028008	BH pitch balance adjusting lever
26	000116206	Wave washer
27	756029009	Hinge screw
28	751025000	Feed transforming rod
29	000070506	Polished plain washer 4
30	756601001	Bed cover (unit)
31	756002006	Bed cover
32	753005000	Drop feed lever
33	000101703	Setscrew 4x12
34	756609009	Shift arm (unit)
35	756025005	Shift arm (1)
36	756026006	Shift arm (2)
37	000101105	Setscrew 3x4
38	756027007	Hinge screw
39	627569106	Bobbin holder (unit)
40	102261103	Bobbin

PARTS LIST

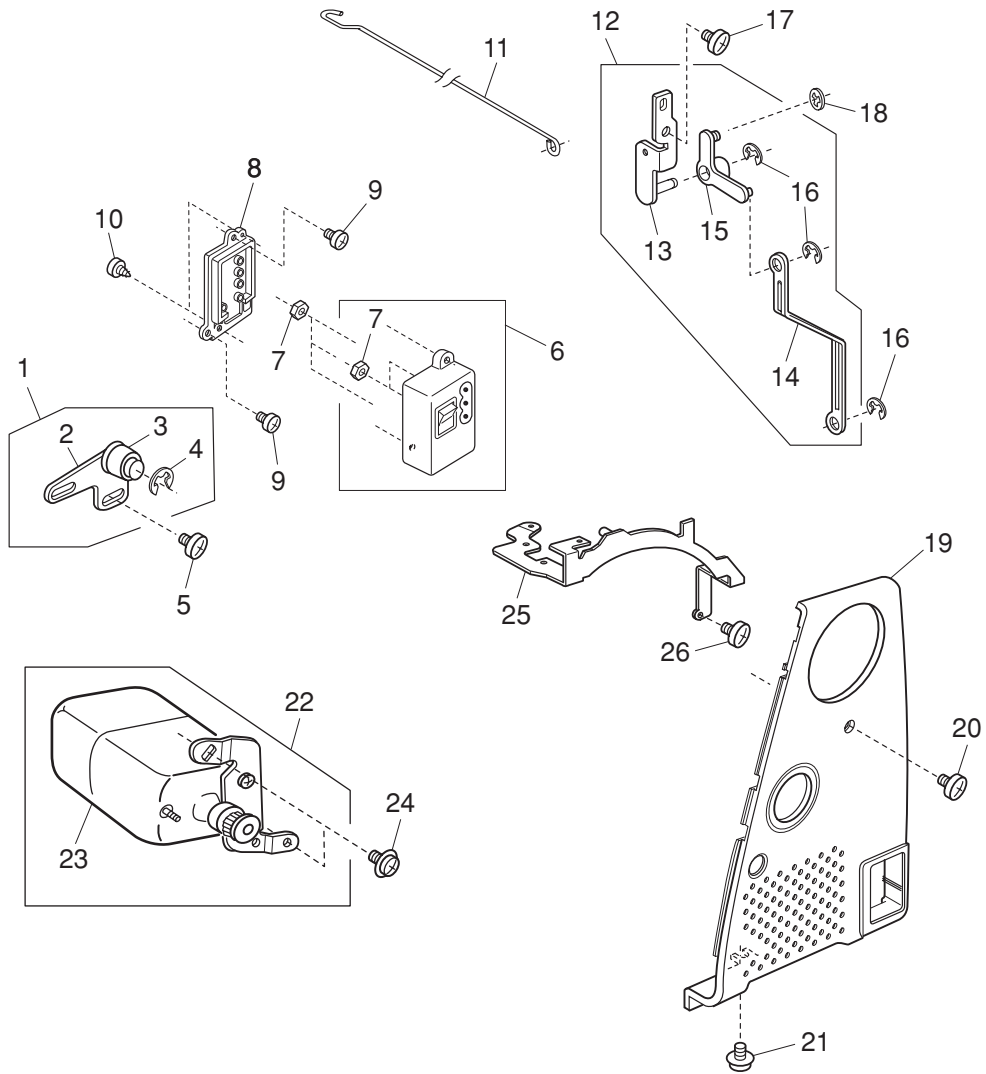


PARTS LIST

KEY NO.	PARTS NO.	DESCRIPTION
1	650156005	Zigzag rod (front)
2	000002105	Snap ring E-3
3	686618104	Zigzag arm (unit)
4	000081005	Setscrew 4x8
5	751058002	ZZ width rod
6	505033002	ZZ width adjusting rod
7	505615705	Cam block (unit)
8	505066613	Indicator plate (width)
9	505066602	Indicator plate (length)
10	505032104	Reverse button
11	505622004	Pattern selector dial shaft (unit)
12	505069007	Pattern selector dial shaft
13	751050004	Pattern selector dial seat
14	000111201	Hexagonal socket screw 4x4
15	751265004	Belt cover set plate
16	000001609	Snap ring E-5
17	503237002	Dial
18	650162509	SS control dial

PREFISSO "J"

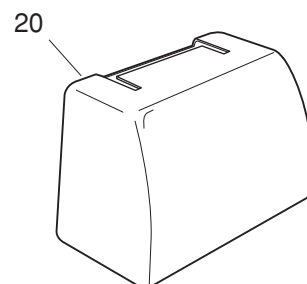
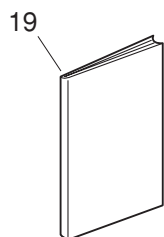
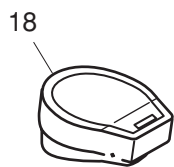
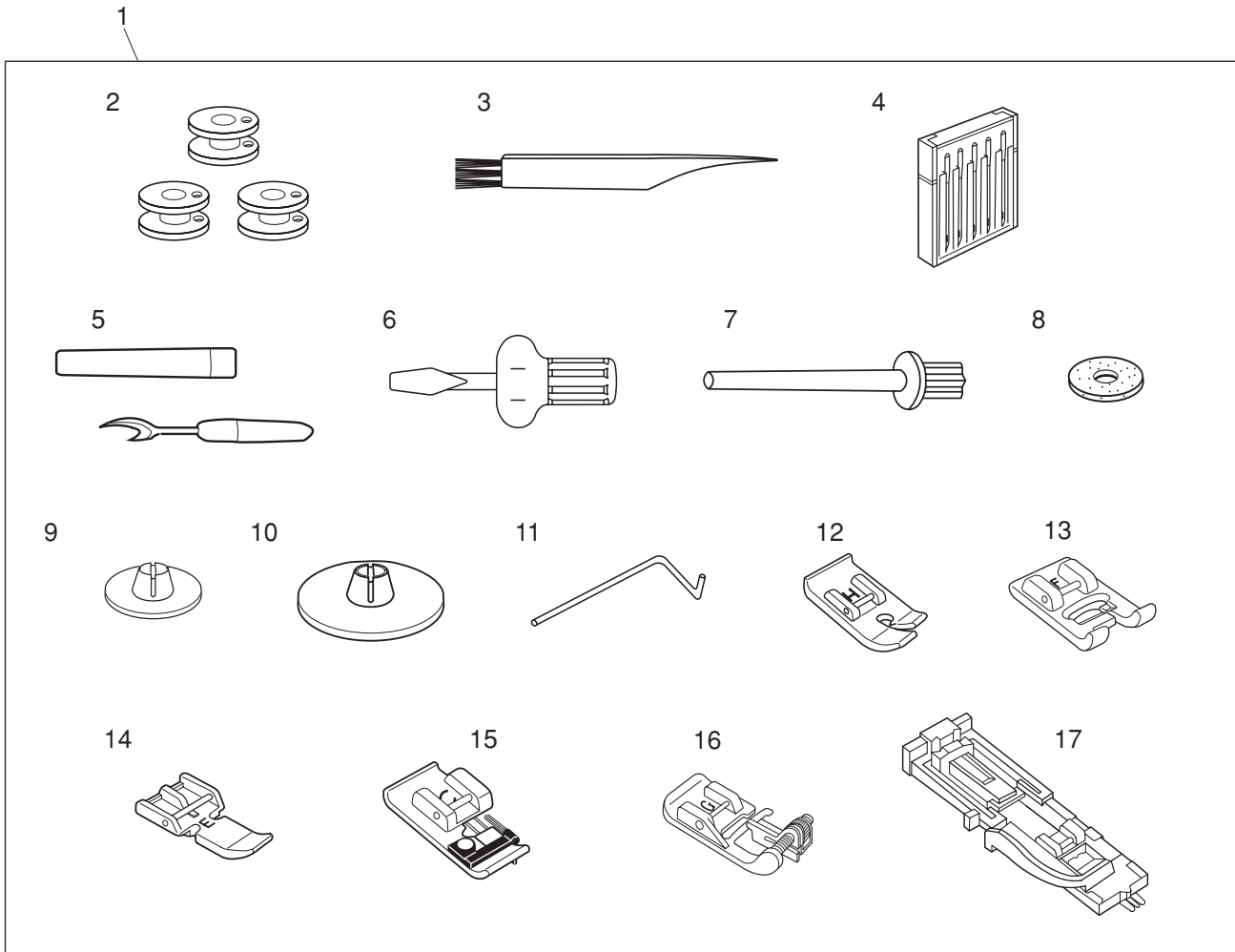
PARTS LIST



PARTS LIST

KEY NO.	PARTS NO.	DESCRIPTION
1	753619003	Idler (unit)
2	753119008	Idler base
3	625217100	Idler
4	000002806	Snap ring E-6
5	000081005	Setscrew 4x8
6	739503308	Machine socket (unit)
7	000060802	Nut 3-1-5.5
8	505064002	Machine socket cover
9	000103509	Setscrew 4x10
10	000107802	Setscrew 3x10 (B)
11	751068016	BH drag rod
12	752674003	Drag rod link holder plate (unit)
13	751066014	Drag rod link holder plate
14	751114018	Drag rod link
15	752040004	BH drag rod (2)
16	000002105	Snap ring E-3
17	000101404	Setscrew 4x6
18	000014306	Snap ring CS-3
19	505041003	Belt cover
20	000080901	Setscrew 4x25
21	000115607	Setscrew TP 4x8
22	752671309	Motor (unit)
23	M-2086A-1	Motor
24	000115504	Setscrew TP 5x10
25	505005108	Carrying handle supporter plate (rear)
26	000081005	Setscrew 4x8

PARTS LIST



PARTS LIST

KEY NO.	PARTS NO.	DESCRIPTION
1	505870010	Accessory set
2	102261103	Bobbin
3	802424004	Lint brush
4	540401026	Needle set
5	647808009	Seam ripper/buttonhole opener
6	820832005	Large screwdriver
7	625031500	Additional spool pin
8	102403202	Spool pin felt
9	822019509	Small spool holder
10	822020503	Large spool holder
11	802422002	Quilter
12	823801107	Straight stitch foot (H)
13	822804118	Satin stitch foot (F)
14	808852003	Zipper foot (E)
15	822801001	Overedge foot (C)
16	820817015	Blind hem foot (G)
17	753801004	Automatic buttonhole foot (R)
18	C-2037-1	Foot control
19	505800363	Instruction book
20	476706206	Hard cover

PREFISSO "J"