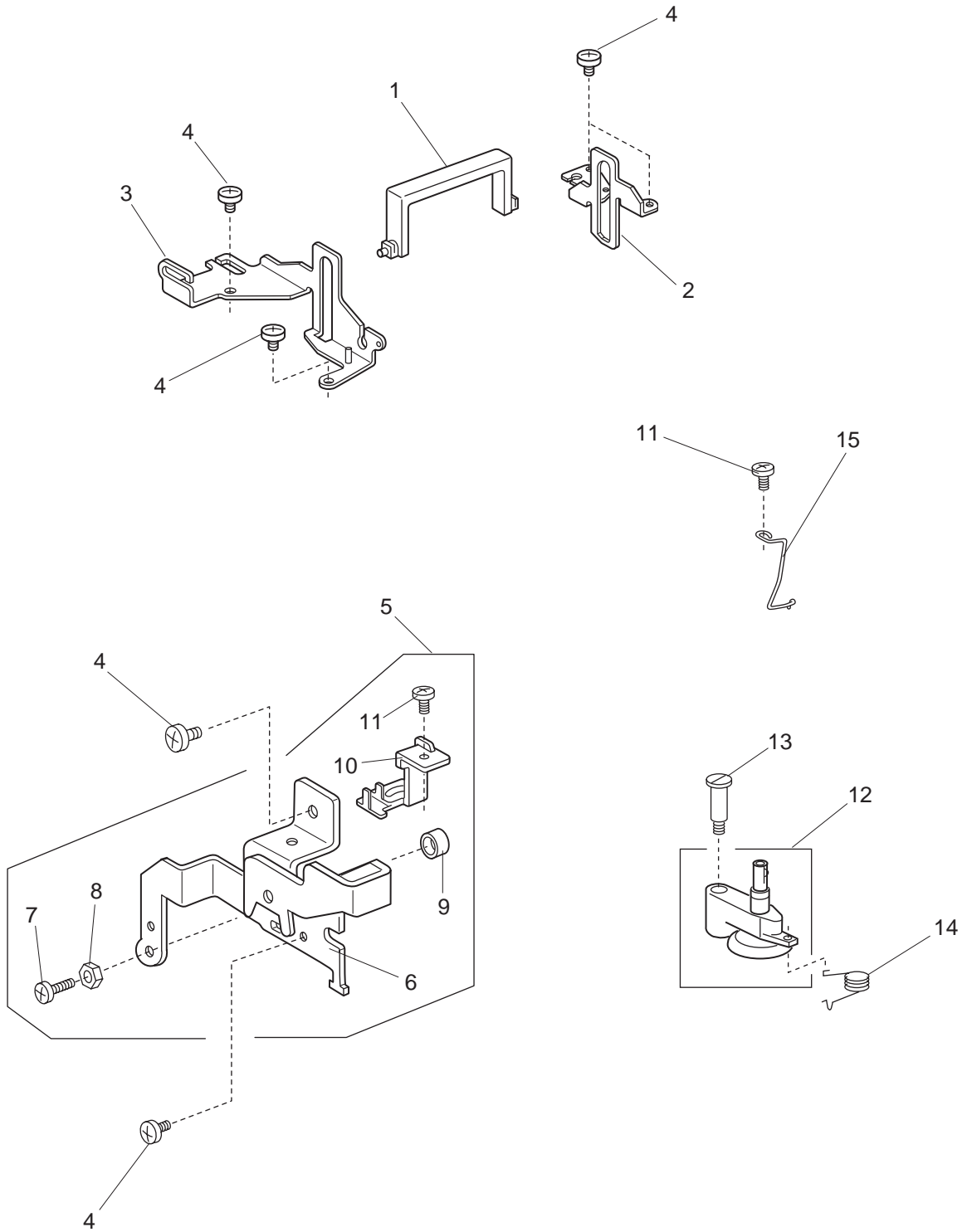


PARTS LIST

MODEL:340 (NECCHI)

N 2800

PARTS LIST

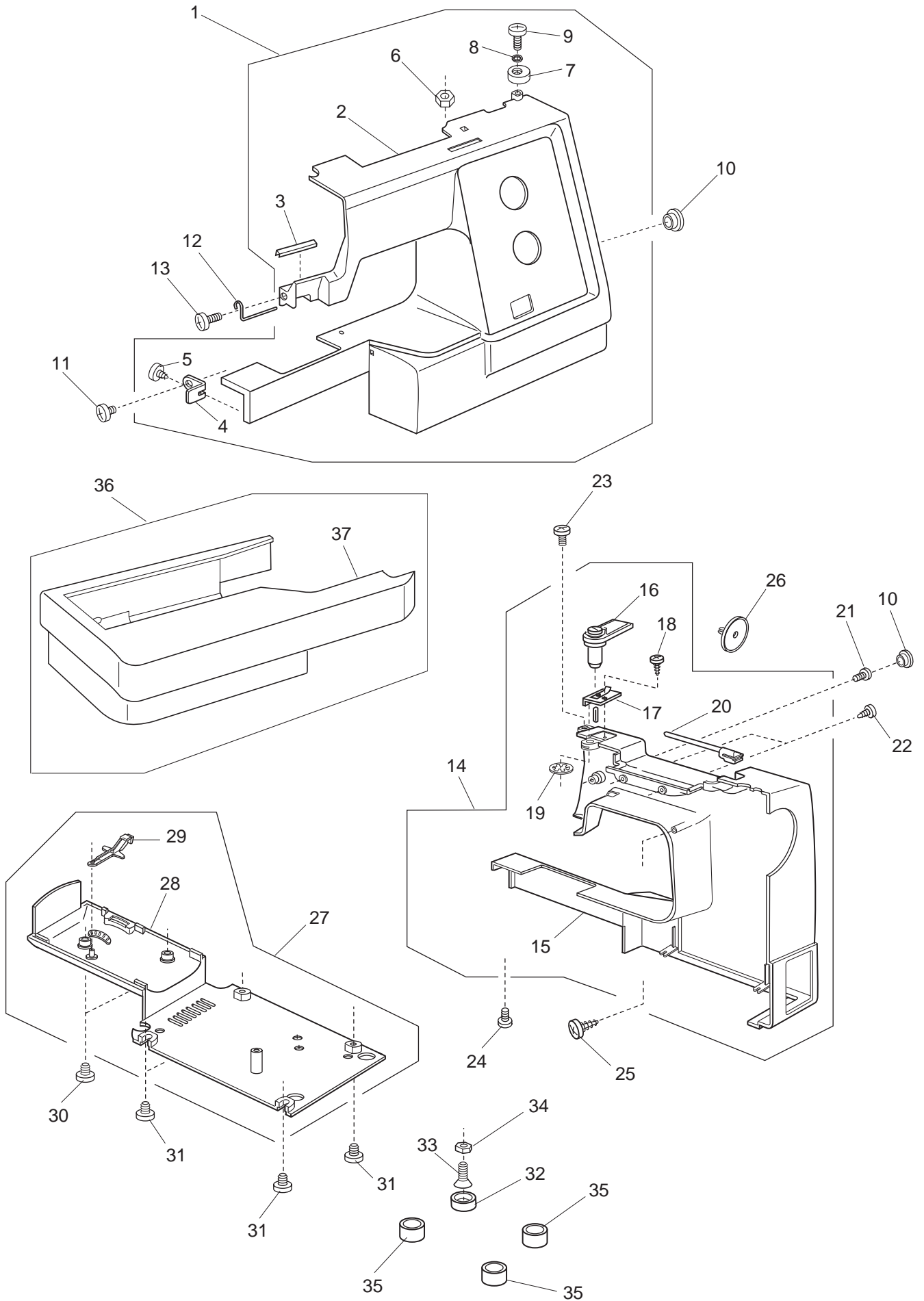


PARTS LIST

KEY NO.	PARTS NO.	DESCRIPTION
1	751100000	Carrying handle
2	507150002	Carrying handle supporter (right)
3	751077029	Carrying handle supporter (left)
4	000081005	Setscrew 4x8
5	507605100	Face plate set plate (unit)
6	507161006	Face plate set plate
7	000105419	Setscrew 4x20
8	000160102	Adjustable lock nut 4
9	685042005	Supporter stopper
10	751020027	Needle thread shaft guide
11	000101404	Setscrew 4x6
12	652506000	Bobbin winder (unit)
13	652093009	Setscrew
14	659034003	Spring
15	652137006	Arm thread guide (2)

PREFISSO "J"

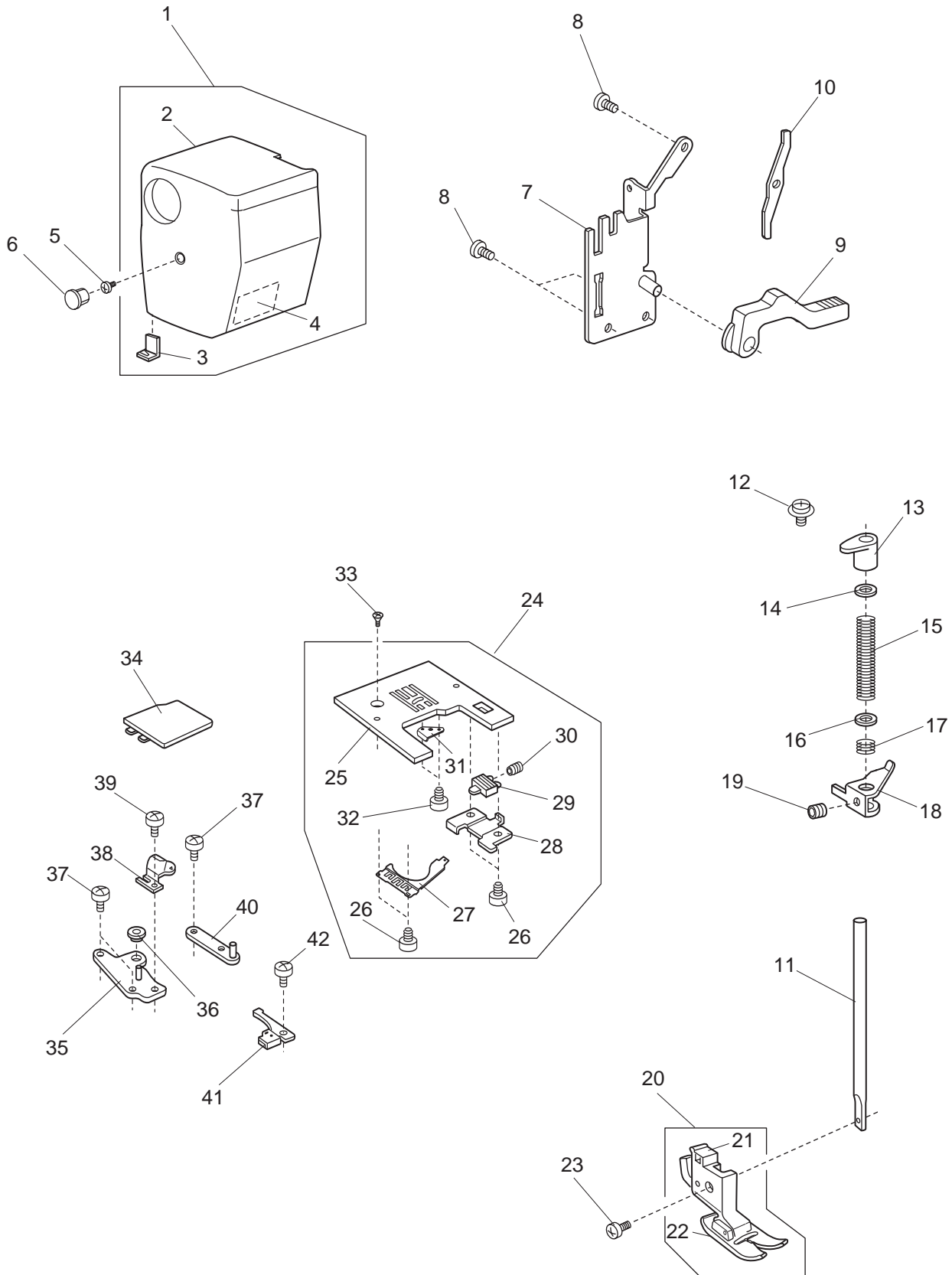
PARTS LIST



PARTS LIST

KEY NO.	PARTS NO.	DESCRIPTION
1	507657174	Front cover (unit)
2	507170905	Front cover
3	753125007	Thread guide
4	827069004	Front cover set plate (lower)
5	000120203	Setscrew 3x8 (B)
6	000061205	Nut 4-3-7
7	735016307	Bobbin winder stopper
8	000071013	Washer 4
9	000103107	Setscrew 4x14
10	653006101	Cap
11	000101404	Setscrew 4x6
12	753126008	Arm thread guide
13	000092917	Setscrew 3.5x27
14	507631149	Rear cover (unit)
15	507102238	Rear cover
16	650503702	Thread guide (unit)
17	827503005	Top cover thread guide (unit)
18	000162001	Setscrew 2.6x5 (B)
19	000014409	Snap ring CS-8
20	659067005	Additional spool pin
21	000101817	Setscrew 4x16
22	000161310	Setscrew 3x12 (B)
23	810220003	Setscrew
24	000115205	Setscrew TP 4x6
25	000121905	Setscrew 4x12 (B)
26	822020503	Spool holder (large)
27	507601003	Base cover (unit)
28	507001007	Base cover
29	753005000	Drop feed lever
30	000101703	Setscrew 4x12
31	000103509	Setscrew 4x10
32	735002001	Rubber foot
33	000097808	Setscrew 5x25
34	000061412	Nut 5-3-8
35	647009002	Bed rubber cushion
36	507637503	Extension table (unit)
37	507503004	Extension table (unit)

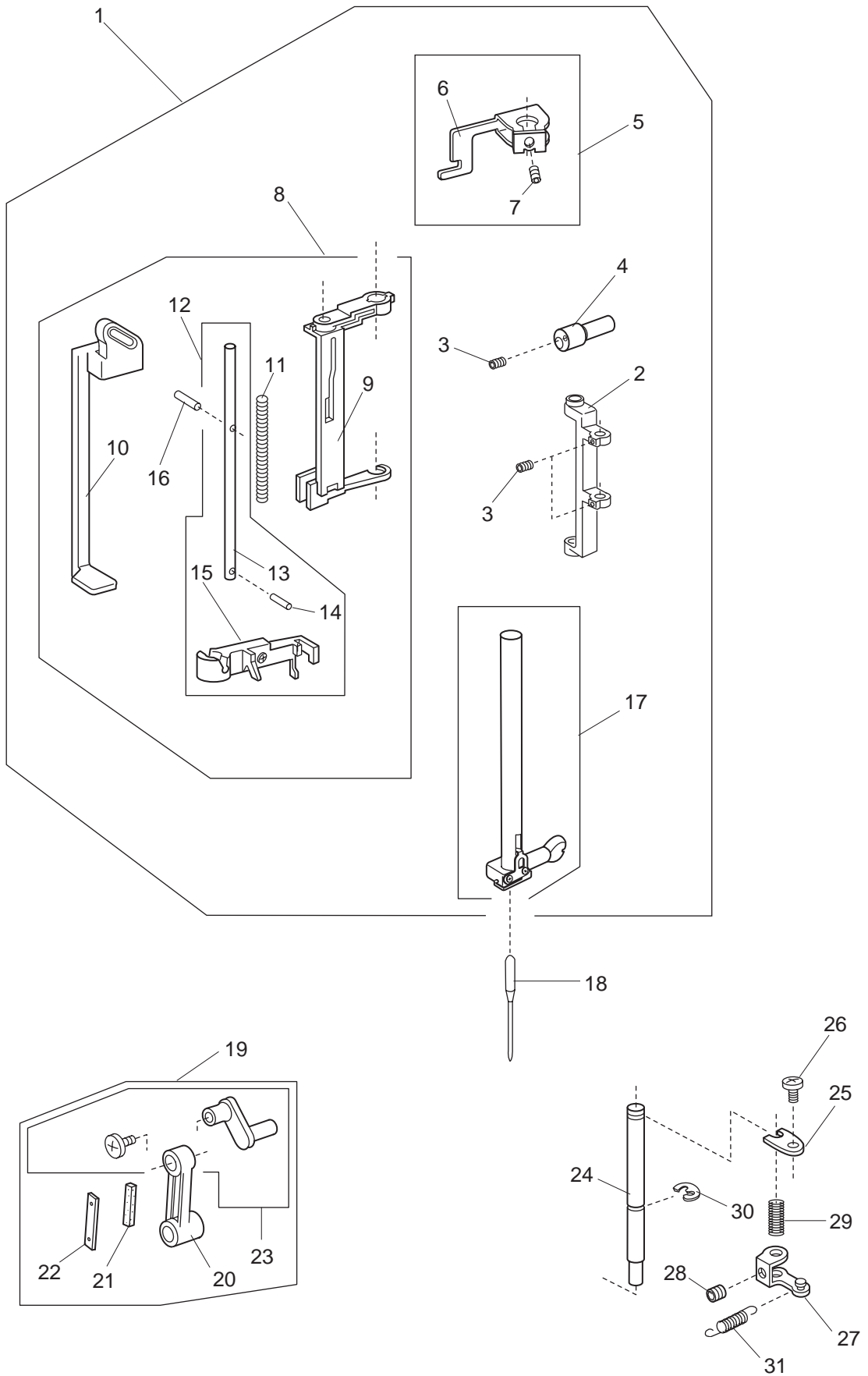
PARTS LIST



PARTS LIST

KEY NO.	PARTS NO.	DESCRIPTION
1	507632184	Face plate (unit)
2	507105183	Face plate
3	840602006	Thread cutter (unit)
4	724025006	Reflecting sticker (2)
5	000101703	Setscrew 4x12
6	653006101	Cap
7	507156008	Presser bar base plate
8	000081005	Setscrew 4x8
9	735029004	Presser foot lifter
10	751142004	Thread tension release lever
11	827021004	Presser bar
12	000193001	Thin-head setscrew TP (HS) 4x6
13	652104004	Presser bar bushing
14	652201002	Washer
15	826006000	Presser bar spring
16	826055004	Washer
17	826056005	Presser foot support spring
18	735028003	Presser bar supporter
19	000111500	Hexagonal socket screw 4x8
20	660508007	Presser foot (unit)
21	660806008	Presser foot holder (unit)
22	685502019	Zigzag foot
23	660106001	Setscrew
24	751603400	Needle plate (unit)
25	653179003	Needle plate
26	820374004	Setscrew 2x2.3
27	832235010	Hook cover plate supporter (left)
28	825015010	Hook cover plate supporter (right)
29	825016000	Hook cover plate release button
30	825017001	Hook cover plate release button spring
31	654078004	Bobbin holder set plate
32	820373003	Setscrew 2x3
33	820390109	Needle plate set screw
34	750036012	Hook cover plate
35	751008007	Needle plate adjusting plate (left)
36	822314002	Nut
37	000066705	Setscrew 3x8
38	822011109	Bobbin holder stopper
39	000103808	Setscrew 3x5
40	751009008	Needle plate adjusting plate (right)
41	751502006	Bobbin holder stopper (unit)
42	810220003	Setscrew

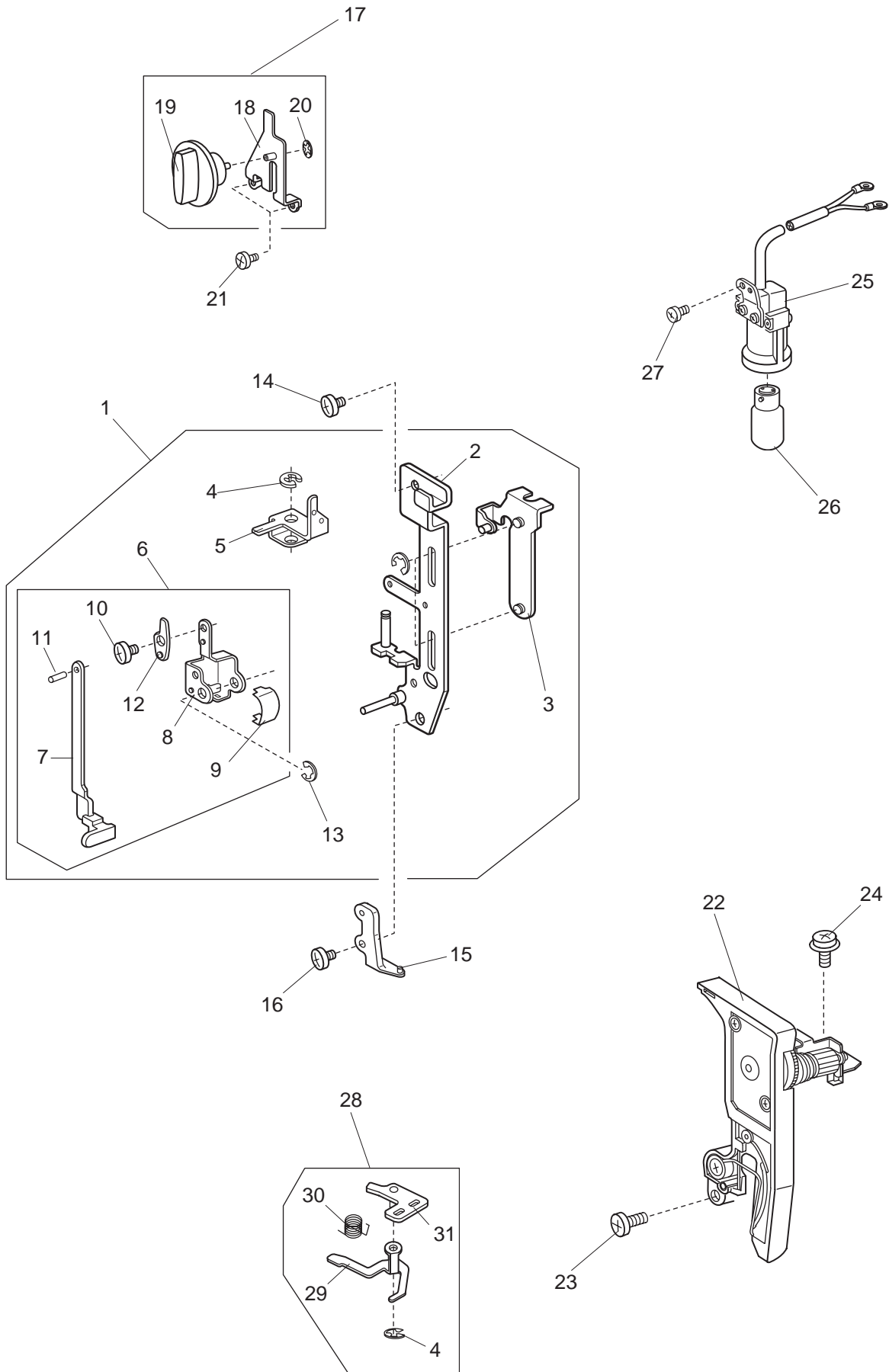
PARTS LIST



PARTS LIST

KEY NO.	PARTS NO.	DESCRIPTION
1	752627103	Needle bar supporter (unit)
2	751014006	Needle bar supporter
3	000111201	Hexagonal socket screw 4x4
4	751047008	Needle bar connecting stud
5	807607019	Threader positioning setting plate (unit)
6	807018109	Threader positioning setting plate
7	000111902	Hexagonal socket screw 3x4
8	659633008	Needle threader (unit)
9	755062001	Threader frame
10	853026011	Threader lever
11	755067006	Needle threader spring
12	755625008	Threader shaft (unit)
13	755066005	Threader shaft
14	000003508	Knock pin 2x8
15	755643002	Threader plate (unit)
16	000125105	Pin E2x16-CH
17	751630015	Needle bar (unit)
18	102408089	Needle HA1-14
19	846615000	Needle bar crank rod (unit)
20	650039001	Needle bar crank rod
21	650040005	Felt
22	650041006	Spring
23	652512009	Needle bar crank pin (unit)
24	650033005	Supporter shaft
25	650034006	Supporter shaft stopper plate
26	000101404	Setscrew 4x6
27	650035007	Zigzag width arm
28	000111108	Hexagonal socket screw 4x6
29	650036008	Supporter shaft spring
30	000001609	Snap ring E-5
31	507094007	Needle bar supporter spring

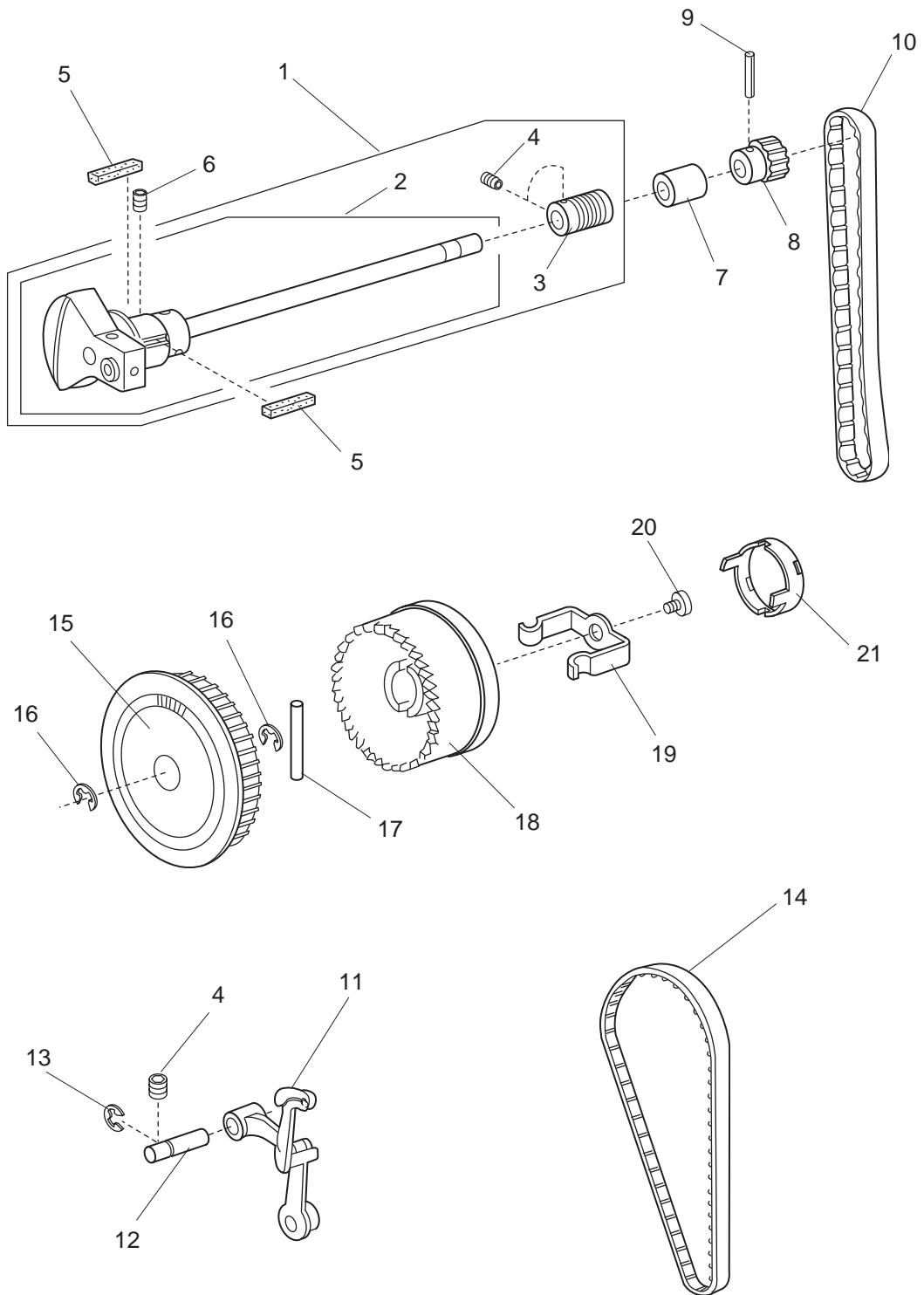
PARTS LIST



PARTS LIST

KEY NO.	PARTS NO.	DESCRIPTION
1	507606008	Front bracket (unit)
2	507007014	Front bracket
3	501009007	Presser foot pressure adjusting plate
4	000002105	Snap ring E-3
5	751022100	Drag rod link
6	751657007	Buttonhole lever (unit)
7	751610008	Buttonhole lever (unit)
8	753026203	Buttonhole lever support plate
9	753027008	Friction spring
10	652203004	Setscrew 3x3.5
11	000023009	Knock pin 1.6x4
12	753029000	Buttonhole lever adjusting plate
13	000001207	Snap ring E-2.5
14	000081005	Setscrew 4x8
15	755074006	Threader guide plate
16	000103509	Setscrew 4x10
17	507607009	Presser foot pressure dial (unit)
18	501008109	Dial set plate
19	507008004	Presser foot pressure dial
20	000014007	Snap ring CS-4
21	000106203	Setscrew 3.5x4
22	507504108	Thread tension (unit)
23	000101703	Setscrew 4x12
24	000115205	Setscrew TP 4x6
25	507611006	Lamp socket (unit)
26	000009009	Lamp
27	000101404	Setscrew 4x6
28	507638009	Thread tension release arm (unit)
29	751215009	Thread tension release arm
30	752056003	Thread tension release spring
31	752055002	Thread tension release arm base

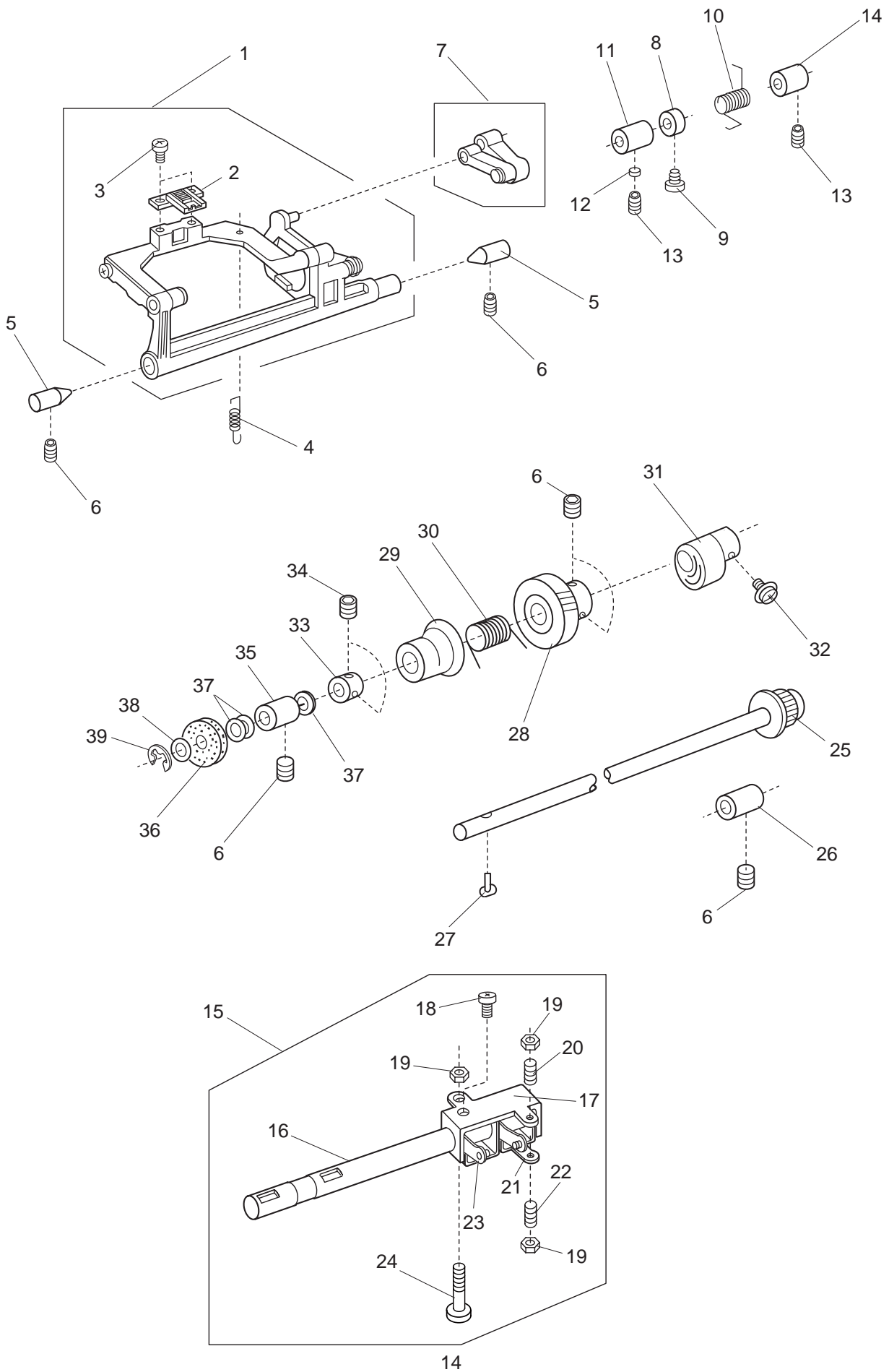
PARTS LIST



PARTS LIST

KEY NO.	PARTS NO.	DESCRIPTION
1	756607100	Upper shaft (unit)
2	756504003	Upper shaft (unit)
3	507059000	Worm
4	000111201	Hexagonal socket screw 4x4
5	731384008	Felt
6	000111304	Hexagonal socket screw 5x5
7	673062004	Upper shaft rear bushing
8	756017004	Upper shaft gear
9	000020501	Knock pin 3x22
10	650071005	Timing belt
11	820511108	Thread take-up lever (unit)
12	650062003	Thread take-up lever pin
13	000002806	Snap ring E-6
14	653139012	Timing belt
15	756018005	Belt wheel
16	000030205	Snap ring E-8
17	000023803	Knock pin 4x40
18	639097024	Handwheel
19	639113016	Clutch spring
20	000081005	Setscrew 4x8
21	650070509	Handwheel cap

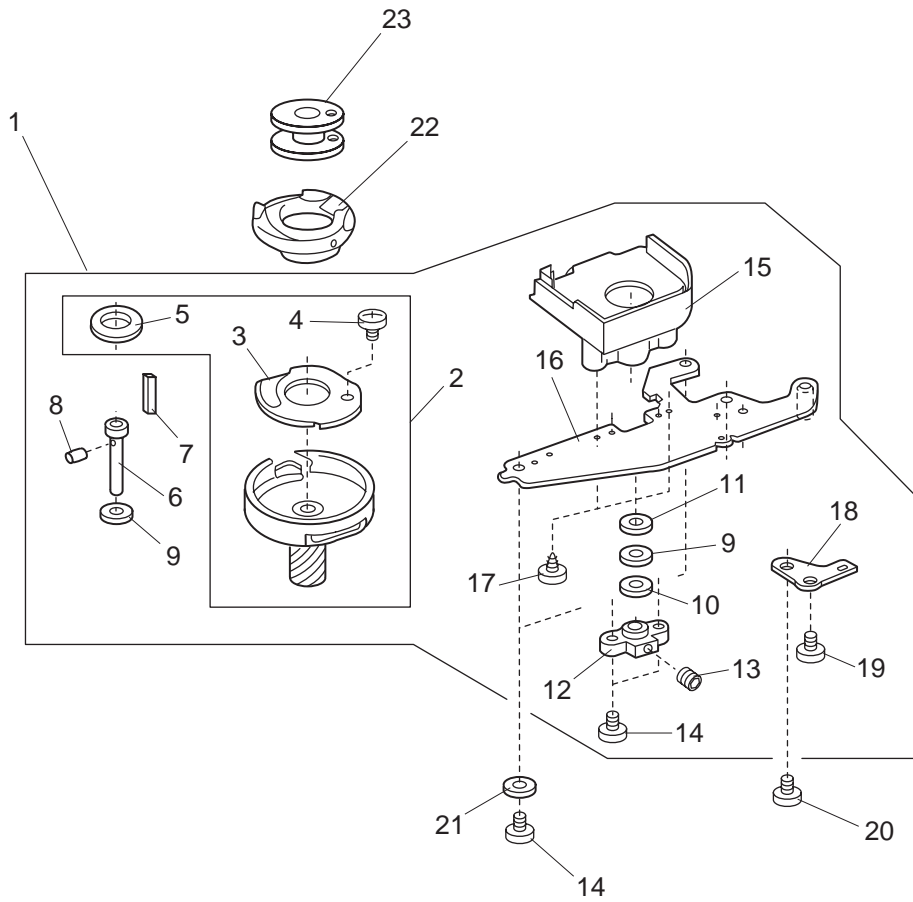
PARTS LIST



PARTS LIST

KEY NO.	PARTS NO.	DESCRIPTION
1	751666504	Feed lock shaft (unit)
2	653193003	Feed dog
3	000104005	Setscrew 3.5x8
4	650085002	Feed base spring
5	738055008	Straight pin
6	000111304	Hexagonal socket screw 5x5
7	650612004	Feed regulator (unit)
8	820387000	Ring
9	000081005	Setscrew 4x8
10	507095008	Feed regulator spring
11	625144002	Feed shaft bushing (front)
12	650175000	Cushion
13	000111108	Hexagonal socket screw 4x6
14	650092002	Feed shaft bushing (rear)
15	507608000	Feed regulating plate (unit)
16	507062006	Feed shaft
17	507011103	Feed shaft set plate
18	000081500	Setscrew 3x12
19	000160102	Adjustable lock nut 4
20	000159201	Setscrew 4x12
21	507063007	Feed regulating plate
22	648010009	Setscrew
23	507064008	SS adjusting plate
24	507087007	Feed adjusting screw
25	751612206	Lower shaft (unit)
26	650079003	Lower shaft bushing (rear)
27	820161006	Feed lifting pin
28	650955002	Lower shaft gear
29	753183025	Feed lifting cam
30	686035008	Feed lifting cam spring
31	751148000	Feed cam
32	000115009	Setscrew TP 3x8
33	820166001	Lower shaft ring
34	000111201	Hexagonal socket screw 4x4
35	650078002	Lower shaft bushing (front)
36	735143005	Felt
37	000038502	Washer
38	858177002	Washer
39	000002806	Snap ring E-6

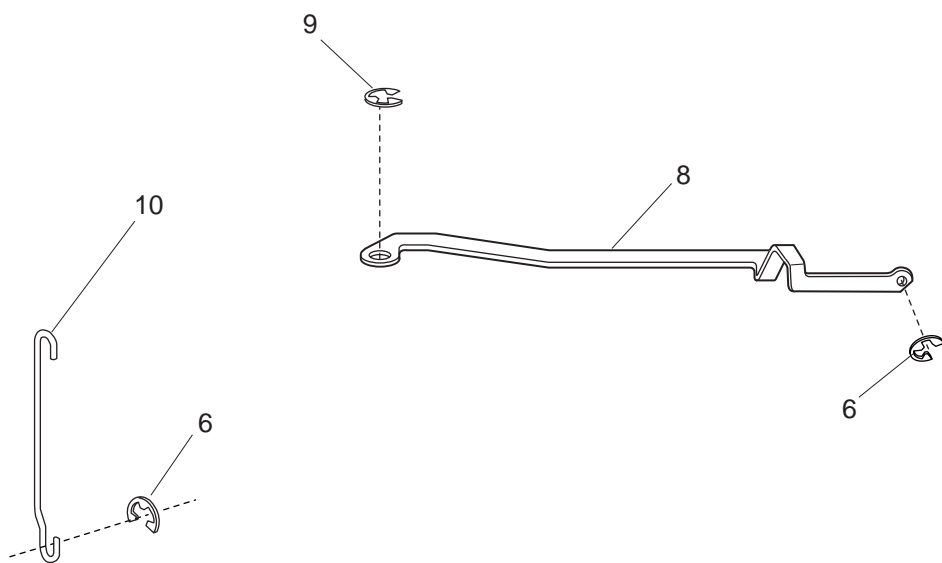
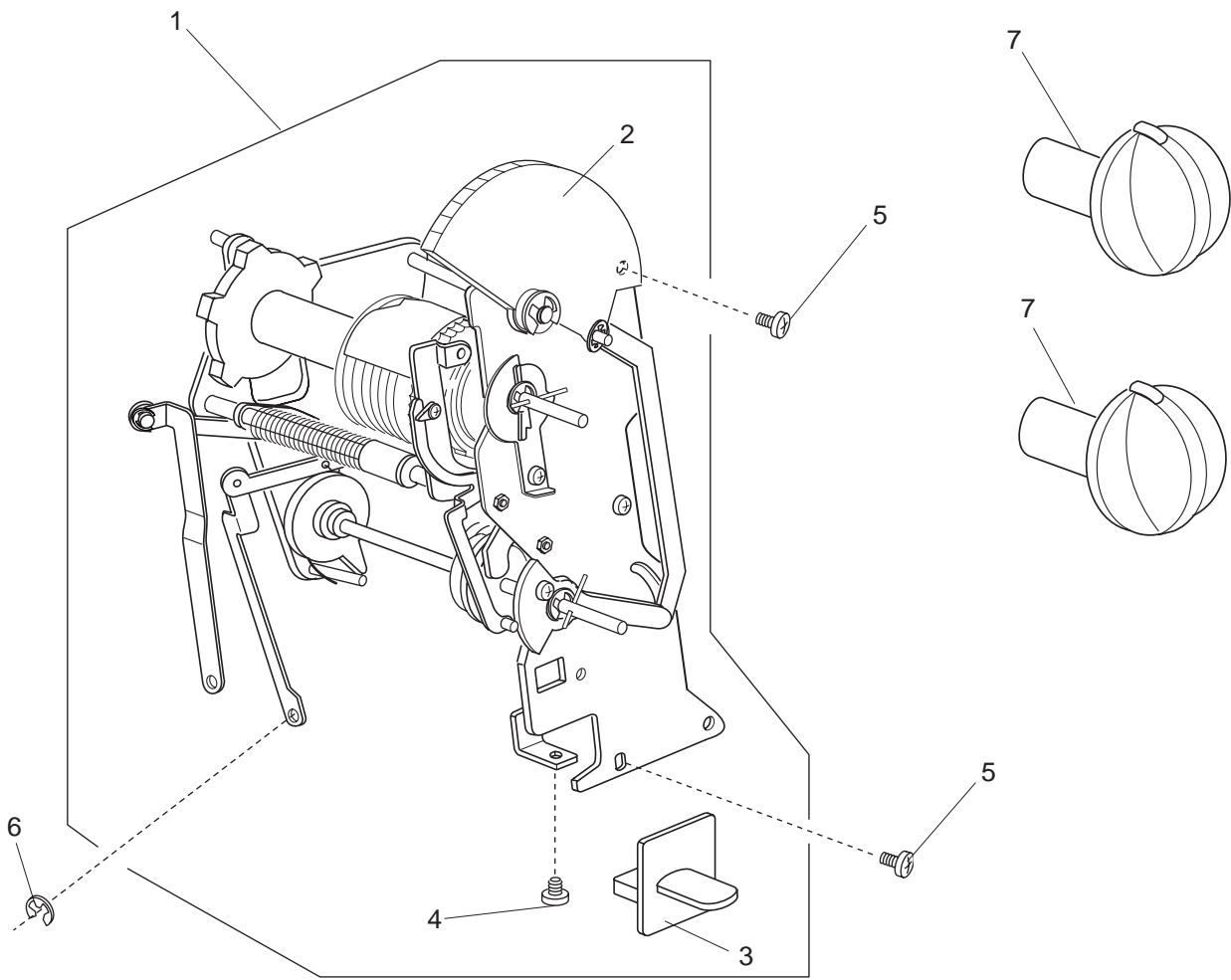
PARTS LIST



PARTS LIST

KEY NO.	PARTS NO.	DESCRIPTION
1	827614022	Hook race (unit)
2	652623004	Hook body (unit)
3	627191000	Hook bottom plate
4	820374004	Setscrew 2x2.3
5	627190010	Magnet
6	820123006	Hook race shaft
7	820124007	Oil string (1)
8	820125008	Oil string (2)
9	000038409	Washer
10	625102008	Washer
11	627192001	Hook race shaft washer
12	650094004	Hook race shaft base
13	000111304	Hexagonal socket screw 5x5
14	000081005	Setscrew 4x8
15	827040009	Cover
16	823106002	Hook race set plate
17	000107204	Setscrew 3x12 (B)
18	650171006	Positioning plate
19	000101404	Setscrew 4x6
20	650172007	Setscrew
21	000070506	Washer 4
22	627569106	Bobbin holder (unit)
23	102261000	Bobbin

PARTS LIST

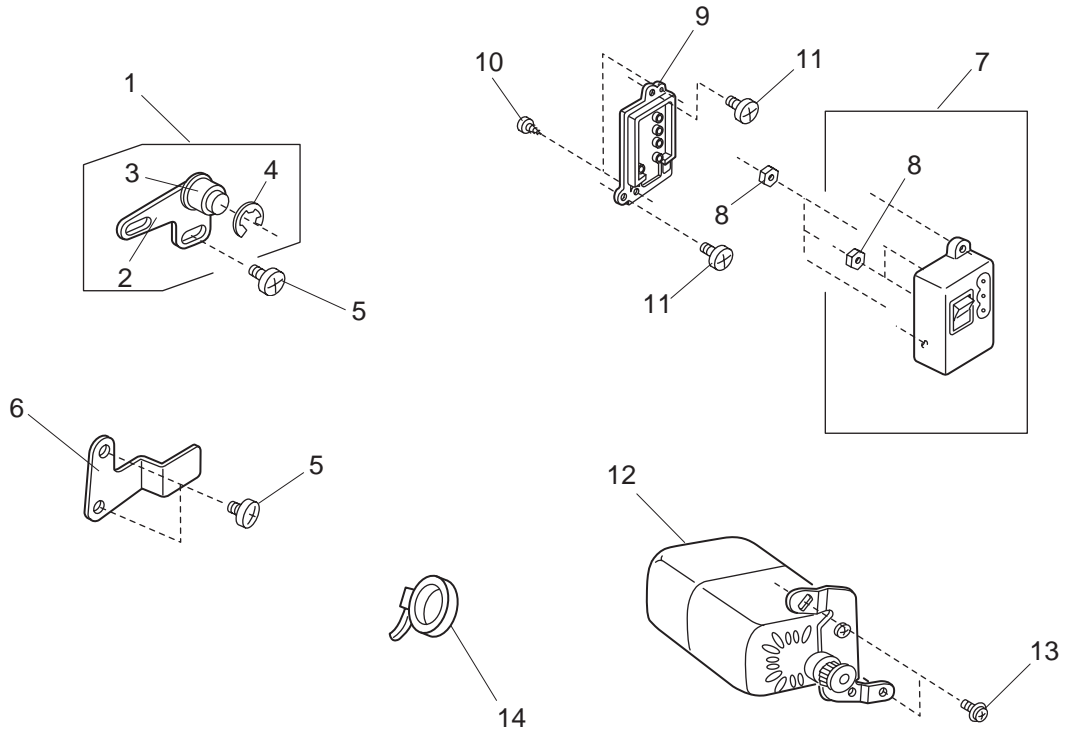


PARTS LIST

KEY NO.	PARTS NO.	DESCRIPTION
1	507636100	Cam block (unit)
2	507041205	Zigzag width dial
3	507109006	R Lever
4	000107307	Setscrew 3x8 (B)
5	000081005	Setscrew 4x8
6	000002105	Snap ring E-3
7	507171009	Dial
8	507066000	Zigzag width rod
9	000002507	Snap ring E-4
10	507047005	Buttonhole rod

PREFISSO "J"

PARTS LIST



PARTS LIST

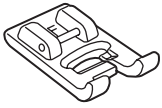
KEY NO.	PARTS NO.	DESCRIPTION
1	753619003	Idler (unit)
2	753119008	Idler base
3	625217100	Idler
4	000002806	Snap ring E-6
5	000081005	Setscrew 4x8
6	507067001	Set plate
7	739503308	Machine socket (unit)
8	000060802	Nut 3-1-5.5
9	505064002	Machine socket cover
10	000107802	Setscrew 3x10 (B)
11	000103509	Setscrew 4x10
12	752671309	Motor (unit)
13	000115504	Setscrew TP 5x10
14	000053709	Cord binder

PREFISSO "J"

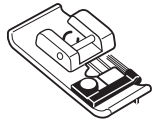
PARTS LIST

1

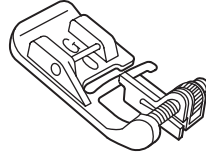
2



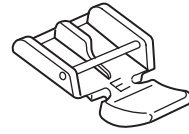
3



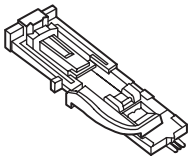
4



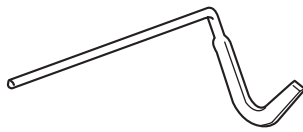
5



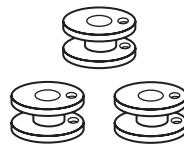
6



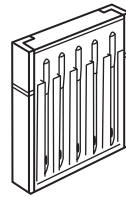
7



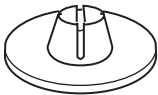
8



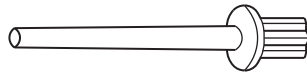
9



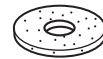
10



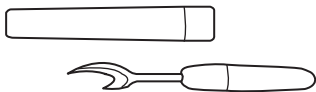
11



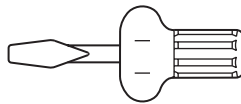
12



13



14



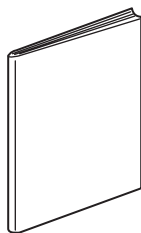
15



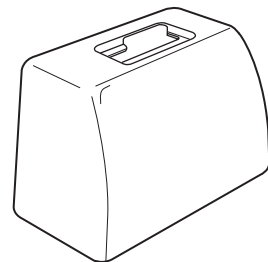
16



17



18



PARTS LIST

KEY NO.	PARTS NO.	DESCRIPTION
1	507878003	Standard accessories (unit)
2	822804118	Satin stitch foot (unit)
3	822801001	Overedge foot (unit)
4	820817015	Blind hem foot (unit)
5	829801002	Zipper foot (unit)
6	753801004	BH foot (unit)
7	802422002	Quilting bar
8	102261000	Bobbin
9	540401026	Needle case (unit)
10	822019509	Spool holder (small)
11	625031500	Additional spool pin
12	102403109	Felt
13	647808009	Seam ripper (buttonhole opener) (unit)
14	820832005	Screwdriver (large)
15	802424004	Lint brush
16	C-2037-2	Foot control (unit)
17	507800716	Instruction book
18	479713504	Cover
		Extra wide table-No available