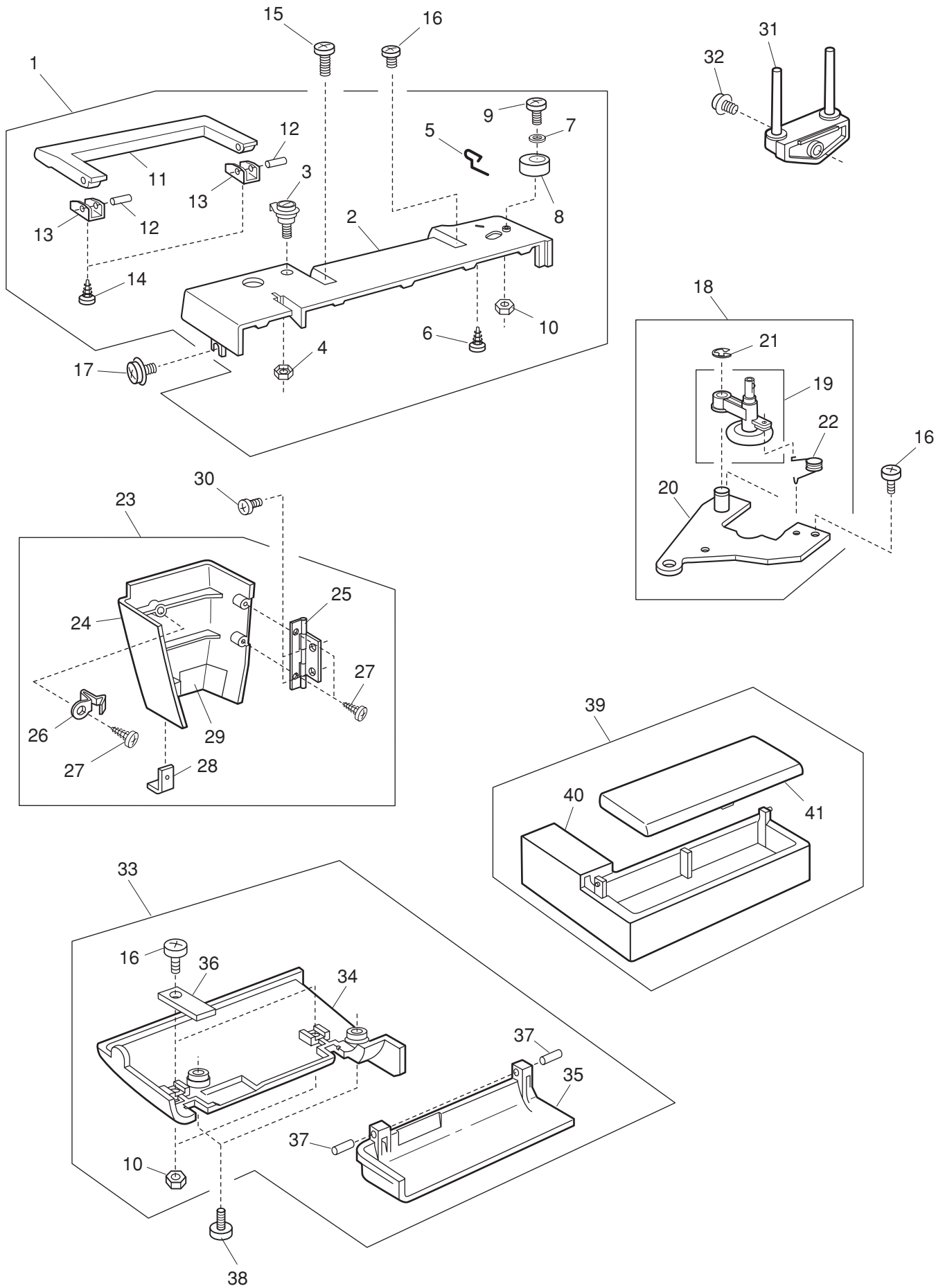


PARTS LIST

MODEL: 296HD

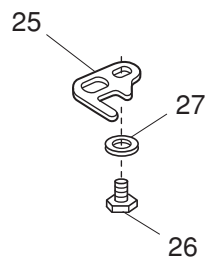
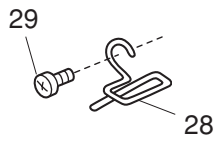
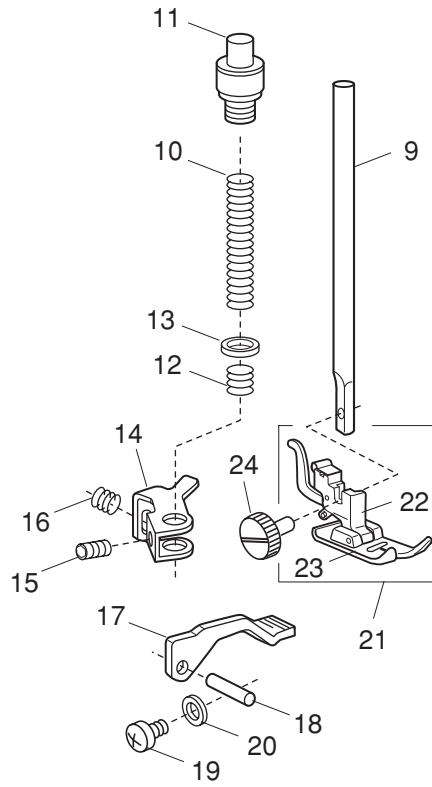
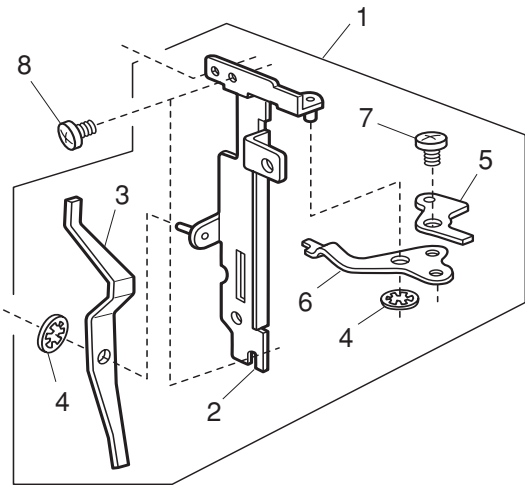
PARTS LIST



PARTS LIST

KEY NO.	PARTS NO.	DESCRIPTION
1	731601602	Top cover (unit)
2	731003206	Top cover
3	730501011	Thread guide plate (unit)
4	000160102	Adjustable lock nut
5	731004001	Top cover thread guide
6	000109000	Setscrew TP 3x6
7	000071013	Washer 4
8	735016307	Bobbin winder stopper
9	000101828	Setscrew 4x16
10	000061205	Nut 4-3-7
11	731005208	Carrying handle
12	730015002	Handle fixing plate pin
13	730016003	Handle fixing plate
14	000107204	Setscrew 3x12 (B)
15	000104108	Setscrew 4x20
16	000101404	Setscrew 4x6
17	000115205	Setscrew TP 4x6
18	730604107	Bobbin winder (unit)
19	730502104	Bobbin winder arm (unit)
20	730018108	Bobbin winder base plate
21	000002806	Snap ring E-6
22	730019006	Bobbin winder spring
23	731602201	Face plate (unit)
24	731007200	Face plate
25	366501102	Face plate hinge (unit)
26	731067002	Face plate spring
27	000161000	Setscrew 3x9 (B)
28	840602006	Thread cutter (unit)
29	366076000	Sticker
30	000081119	Setscrew 4x6
31	731006209	Spool pin base
32	000115700	Setscrew TP 4x10
33	730601300	Bed cover (unit)
34	730004307	Bed cover
35	730005308	Bed lid
36	730006000	Spring
37	000021409	Spring pin 2.5x10 (K)
38	000101703	Setscrew 4x12
39	731502200	Extension table (unit)
40	731050208	Extension table
41	731051209	Extension table lid

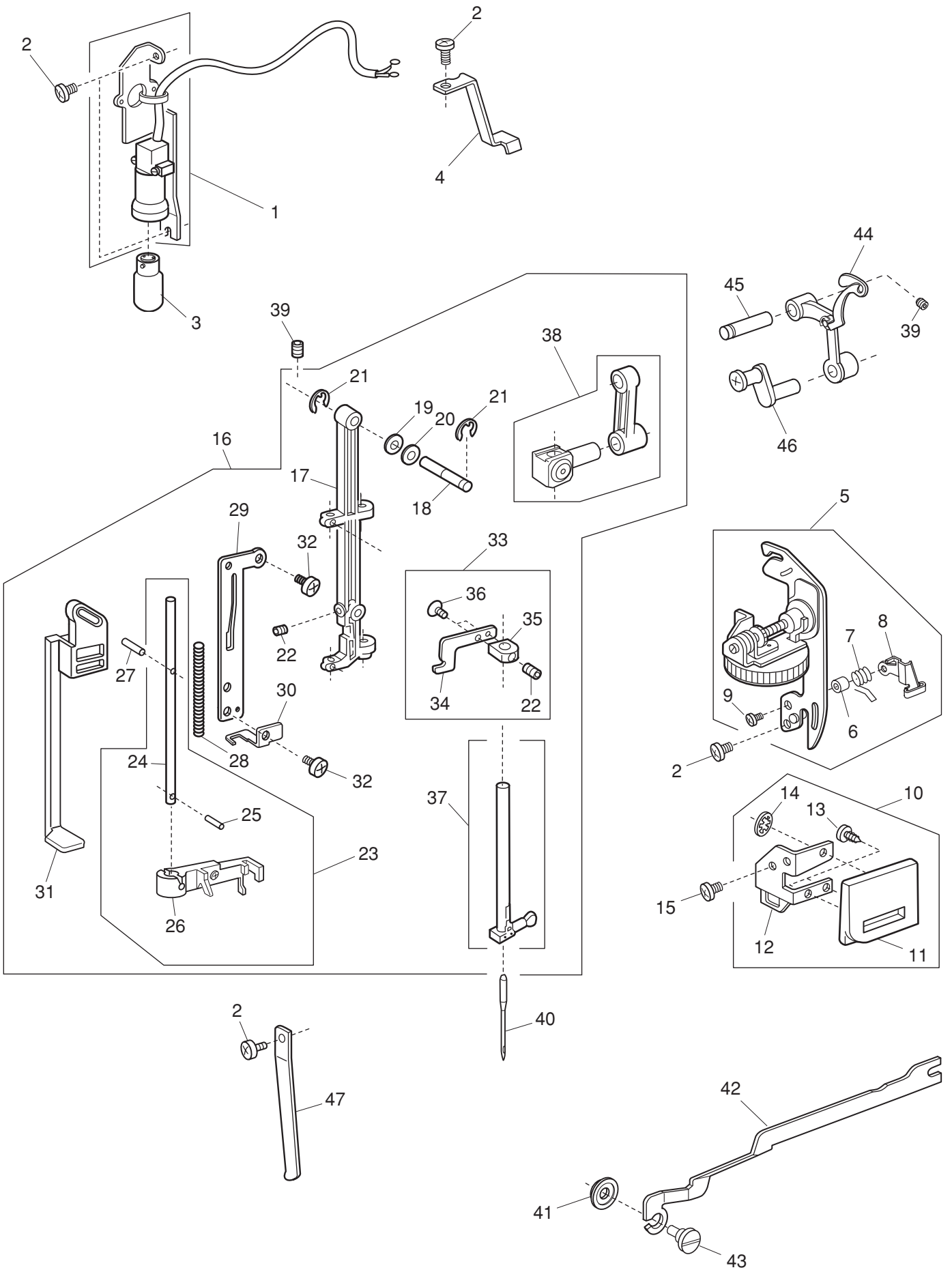
PARTS LIST



PARTS LIST

KEY NO.	PARTS NO.	DESCRIPTION
1	731603006	Front bracket (unit)
2	731010000	Front bracket
3	730029009	Thread tension release lever
4	000013903	Snap ring CS-5
5	731011001	Thread tension release plate (1)
6	730031004	Thread tension release plate (2)
7	000103808	Setscrew 3x5
8	000101404	Setscrew 4x6
9	303017204	Presser bar
10	731063008	Presser bar spring
11	647505117	Pressure regulator (unit)
12	749060000	Pressure regulator spring
13	102061008	Washer
14	822069009	Presser bar guide bracket
15	000111500	Hexagonal socket screw 4x8
16	102222009	Pressure regulator spring
17	822071004	Presser foot lifter
18	822072005	Presser foot lifter pin
19	000103509	Setscrew 4x10
20	000072302	Washer 4
21	611520003	Presser foot (unit)
22	611510000	Presser foot holder (unit)
23	611511001	Zigzag foot (unit)
24	647112009	Thumb screw
25	680036001	Stopper
26	000066303	Hexagonal bolt 4x6
27	000070506	Washer 4
28	731009006	Arm thread guide
29	000100300	Setscrew 3.5x5

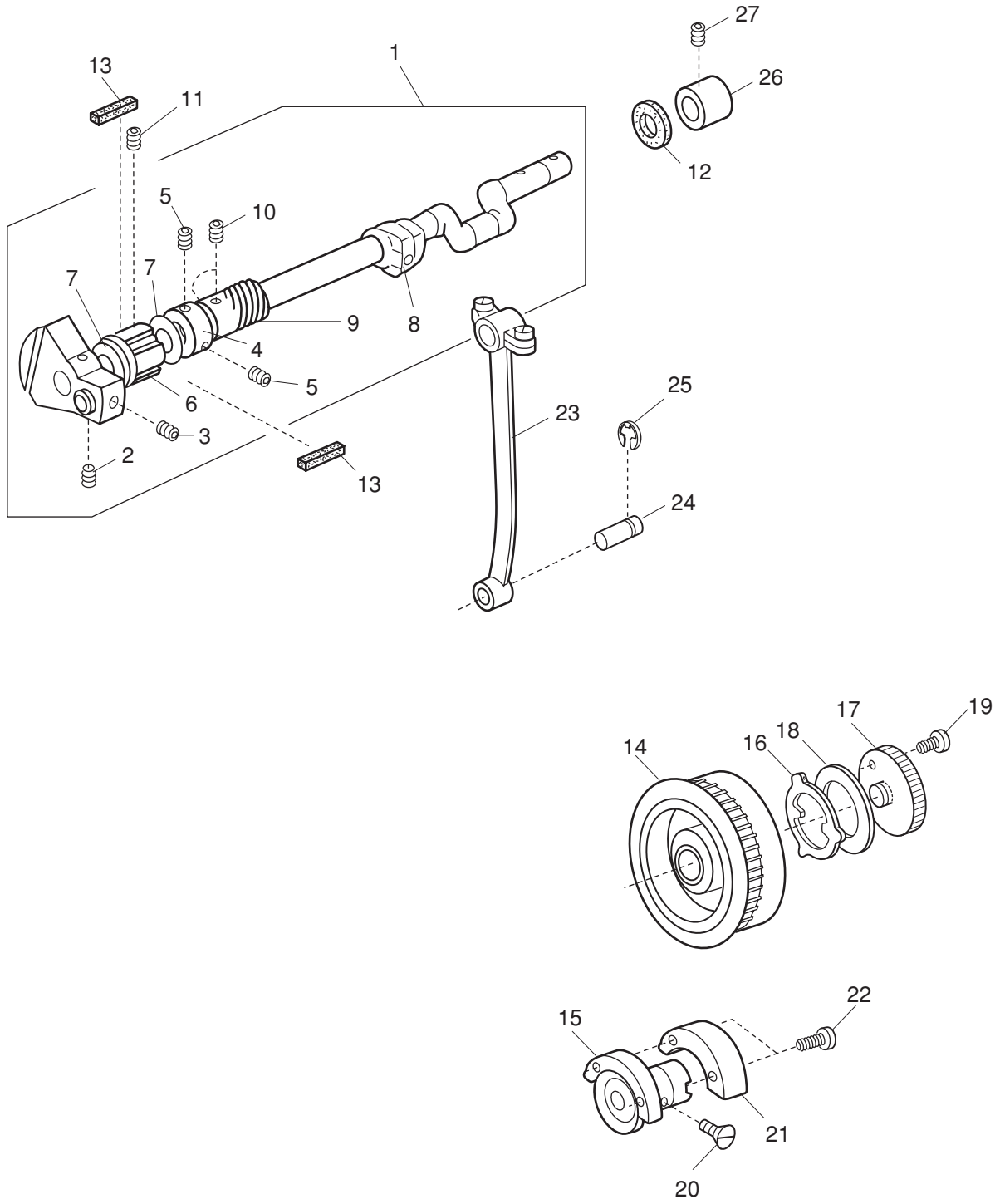
PARTS LIST



PARTS LIST

KEY NO.	PARTS NO.	DESCRIPTION
1	731503005	Lamp socket (unit)
2	000101404	Setscrew 4x6
3	000009009	Lamp 240V 15W BA15D
4	693047005	Cord holder
5	731501405	Thread tension regulator (unit)
6	650043008	Cushion
7	650044009	Check spring
8	650045000	Thread guide
9	000069708	Setscrew 3x10
10	731625462	Front decorative frame (unit)
11	731064353	Front decorative frame
12	731062007	Face cover set plate
13	000120203	Setscrew 3x8 (B)
14	000014007	Snap ring CS-4
15	000101507	Setscrew 3.5x5
16	303604101	Needle bar supporter (unit)
17	303020107	Needle bar supporter
18	730022002	Needle bar supporter pin
19	673022002	Spring washer
20	000070609	Plain washer 6
21	000002507	Snap ring E-4
22	000111902	Hexagonal socket screw 3x4
23	303605009	Needle threader shaft (unit)
24	303016007	Needle threader shaft
25	000003508	Spring pin
26	755643002	Needle threader guard plate (unit)
27	000125105	Grooved pin
28	840035002	Needle threader spring
29	303064000	Needle threader guide plate
30	840037004	Needle threader lever set plate
31	840034001	Needle threader lever
32	000078319	Setscrew 3x6
33	734625003	Threader positioning setting plate (unit)
34	734101008	Threader positioning setting plate
35	734102009	Threader positioning setting base plate
36	000097602	Setscrew 2x4
37	730503013	Needle bar (unit)
38	639516002	Needle bar connecting stud (unit)
39	000111304	Hexagonal socket screw 5x5
40	102408089	Needle HA1-14
41	748021006	Zigzag rod washer
42	730023003	Zigzag rod
43	678084007	Eccentric pin
44	625506109	Thread take-up lever (unit)
45	647040108	Thread take-up lever pin
46	730509008	Needle bar crank pin (unit)
47	730024107	Needle bar supporter spring

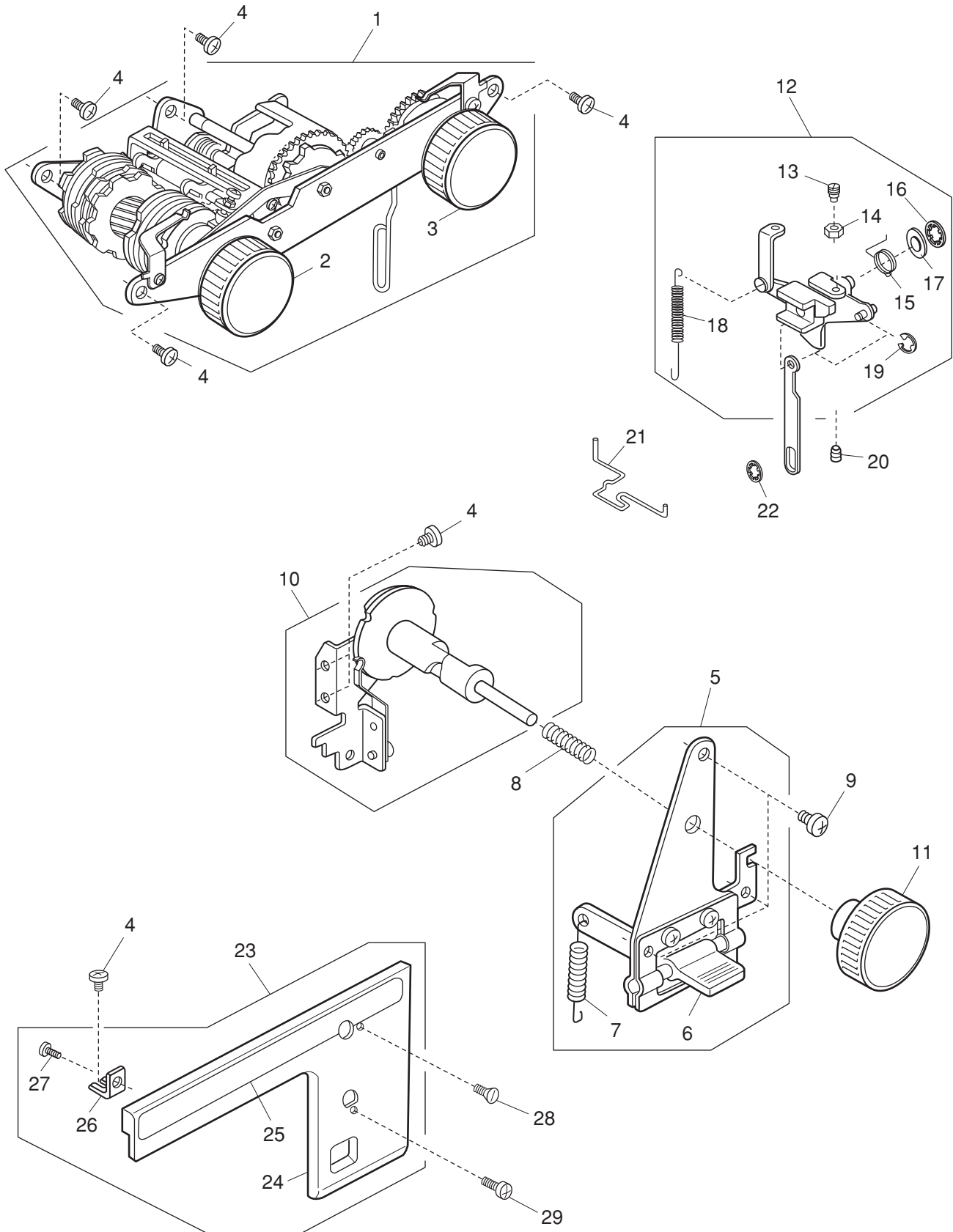
PARTS LIST



PARTS LIST

KEY NO.	PARTS NO.	DESCRIPTION
1	730608008	Upper shaft (unit)
2	102073003	Screw
3	102063000	Screw
4	658019009	Ring
5	000111304	Hexagonal socket screw 5x5
6	670079005	Upper shaft front bushing
7	000037501	Washer
8	365507105	Feed cam (unit)
9	730035008	Worm
10	000111201	Hexagonal socket screw 4x4
11	000110303	Hexagonal socket screw 4x6
12	735143005	Felt
13	731312005	Felt
14	730036308	Handwheel
15	730037000	Handwheel bushing
16	102076006	Motion washer
17	647036400	Motion screw
18	647037009	Washer
19	102078101	Setscrew
20	671106005	Setscrew
21	640008000	Balance weight
22	000105202	Setscrew 3x12
23	738634007	Crank rod (unit)
24	673103008	Foot rock shaft connecting pin
25	000002806	Snap ring E-6
26	671021005	Upper shaft rear bushing
27	000111108	Hexagonal socket screw 4x6

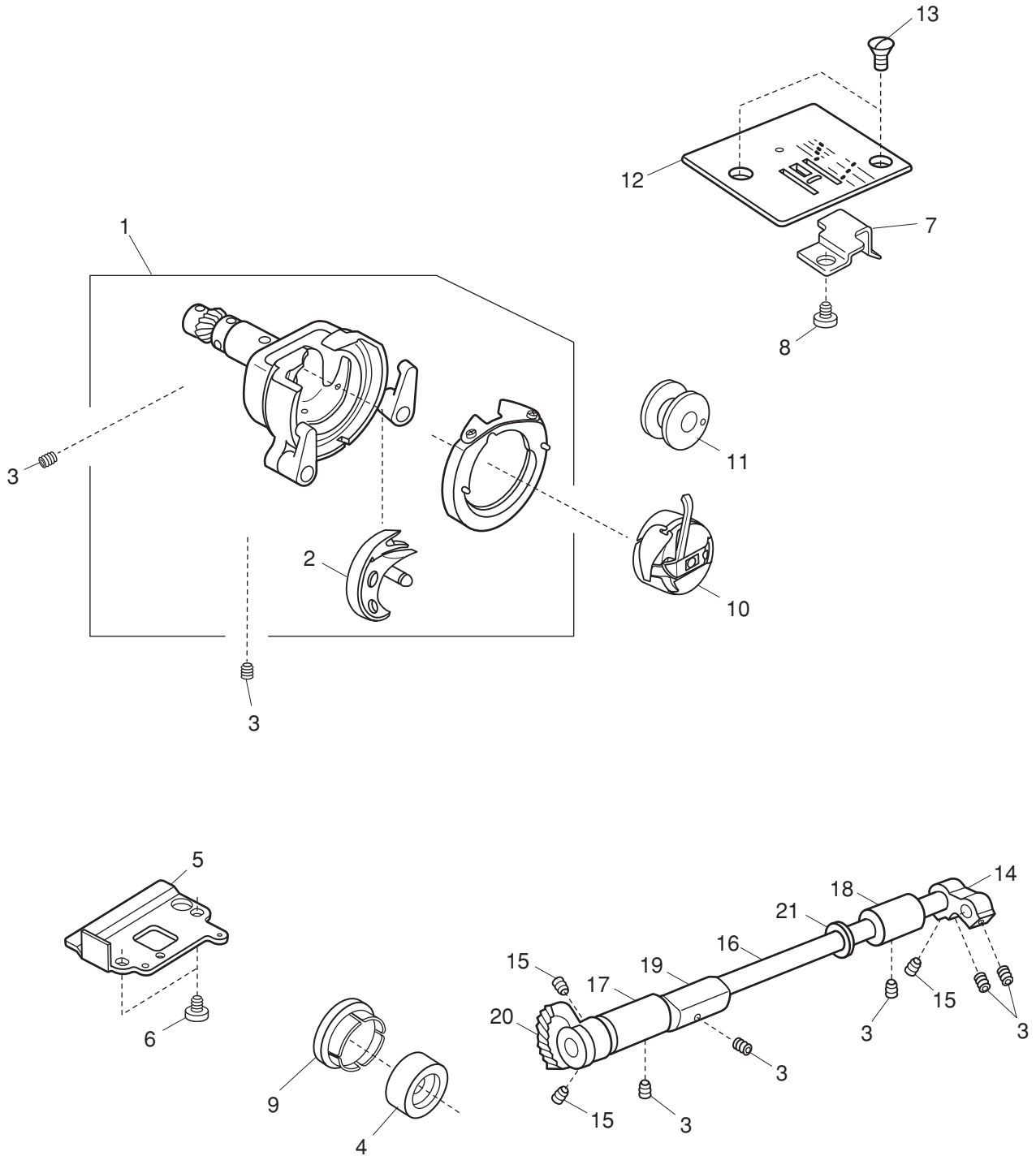
PARTS LIST



PARTS LIST

KEY NO.	PARTS NO.	DESCRIPTION
1	731631461	Zigzag mechanism (unit)
2	731628030	Stitch width dial (unit)
3	731611812	Pattern selector dial (unit)
4	000101404	Setscrew 4x6
5	731608609	Reverse feed lever (unit)
6	731030707	Reverse feed lever
7	731033009	Spring
8	731029002	Spring
9	000081005	Setscrew 4x8
10	731607000	Feed regulator cam (unit)
11	731606308	Stitch length dial (unit)
12	731605101	Feed regulator (unit)
13	648010009	Setscrew
14	000160102	Adjustable lock nut 4
15	803134007	Feed regulating body spring
16	000013800	Snap ring CS-6
17	735073003	Washer
18	670100006	Feed regulator spring
19	000002105	Snap ring E-3
20	802097004	Hexagonal socket screw
21	730041007	Spring sustainer
22	000013903	Snap ring CS-5
23	731609264	Front cover (unit)
24	731035A02	Front cover
25	731422009	Decoration plate
26	731037003	Frame set plate
27	000078319	Setscrew 3x6
28	000069214	Setscrew 3.5x8
29	000103303	Setscrew 3.5x12

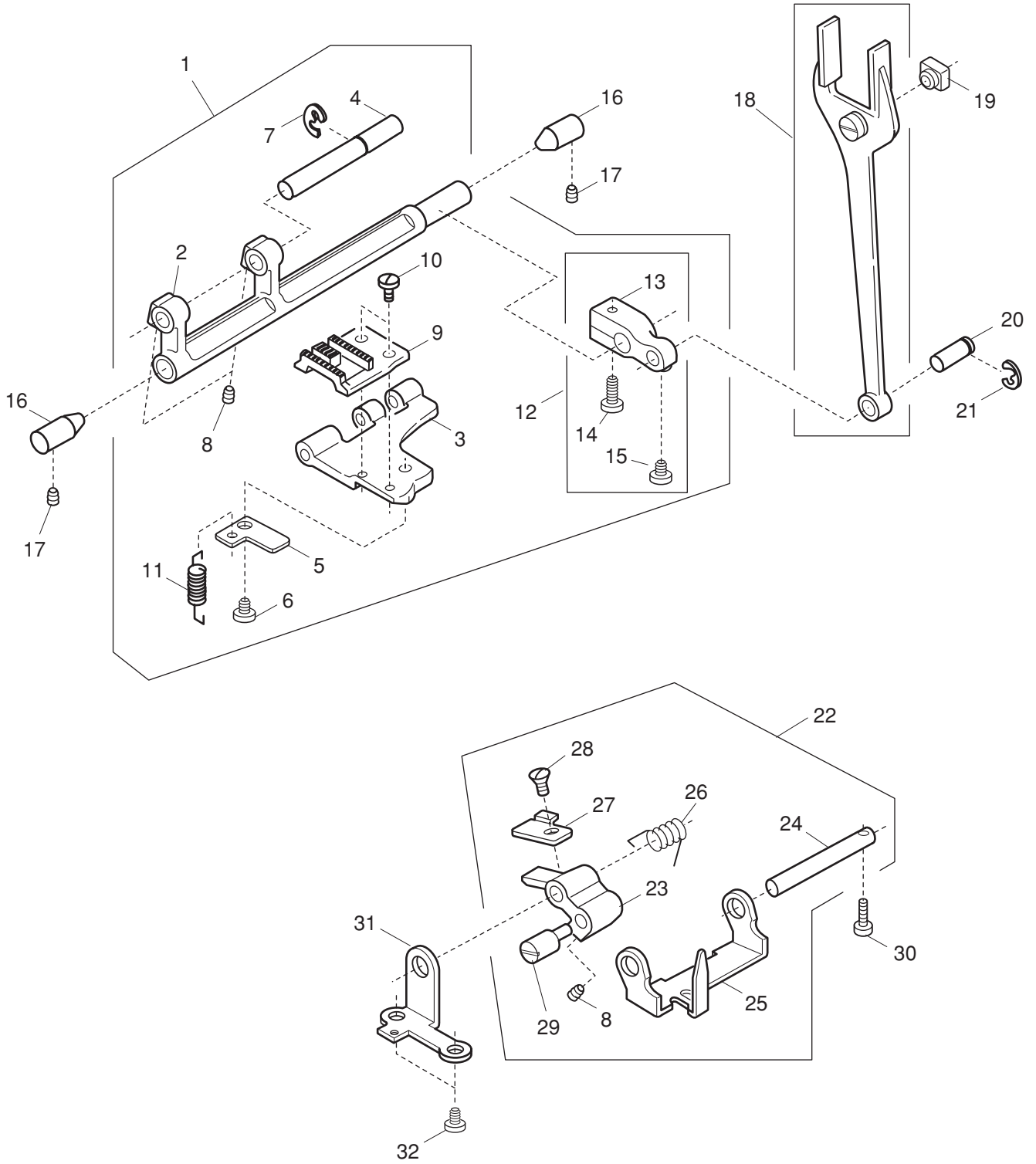
PARTS LIST



PARTS LIST

KEY NO.	PARTS NO.	DESCRIPTION
1	640603104	Hook race (unit)
2	532096007	Hook
3	000111304	Hexagonal socket screw 5x5
4	640018003	Hook driver shaft bushing
5	730109004	Gear box rear cover
6	000101208	Setscrew 5x6
7	730107002	Gear box upper cover
8	000101404	Setscrew 4x6
9	626045407	Cap
10	647515006	Bobbin case (unit)
11	102261000	Bobbin
12	730027007	Needle plate
13	681009101	Flat screw
14	738023007	Lower shaft crank
15	000110107	Hexagonal socket screw 5x5 (WP)
16	647142008	Lower shaft
17	738024008	Lower shaft front bushing
18	640038009	Lower shaft rear bushing
19	647043008	Feed lifting cam
20	730038001	Lower shaft gear
21	822070003	Felt

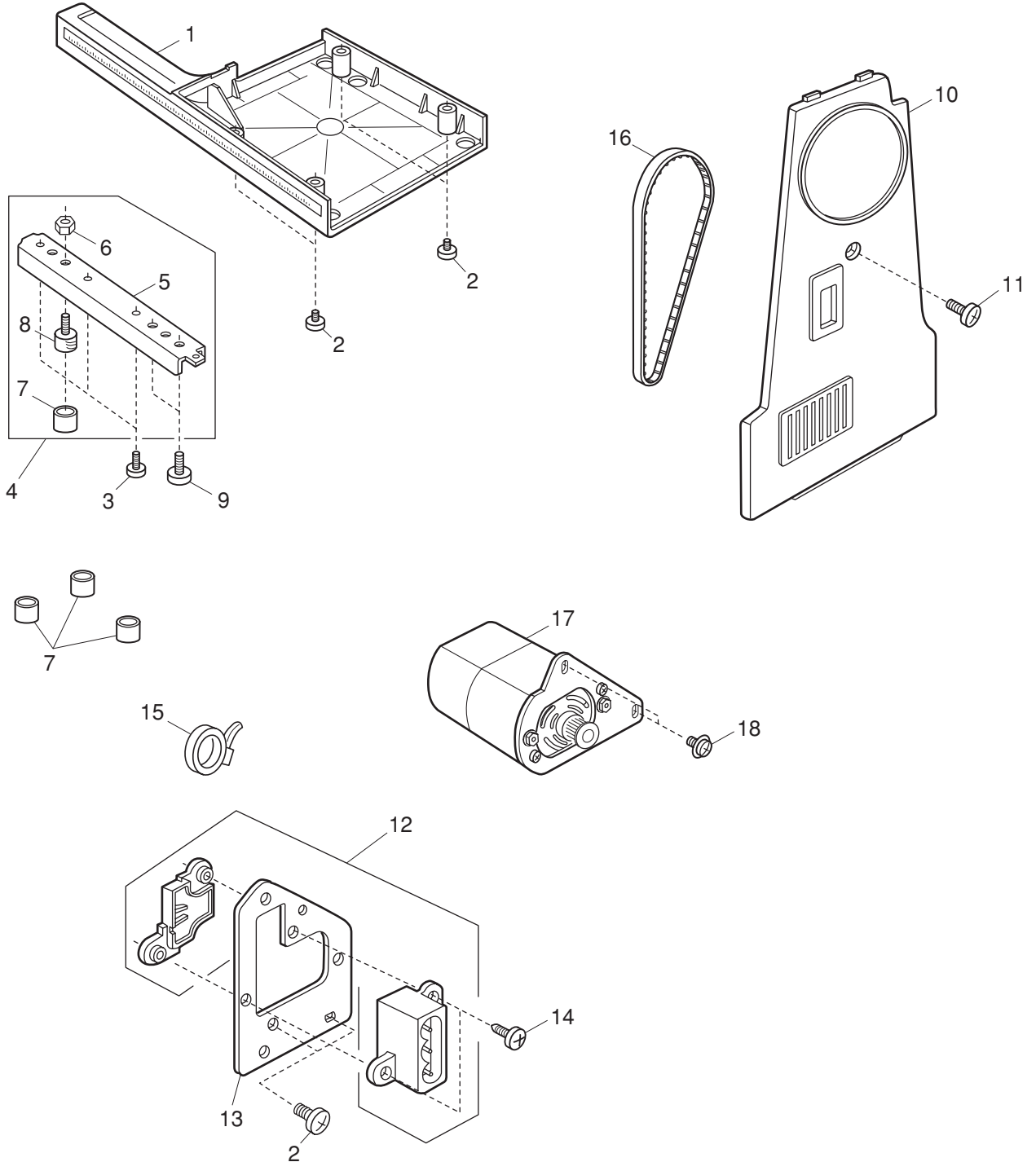
PARTS LIST



PARTS LIST

KEY NO.	PARTS NO.	DESCRIPTION
1	730611004	Feed rock shaft (unit)
2	730057006	Feed rock shaft
3	647066007	Feed dog base
4	647134007	Feed dog base shaft
5	648019008	Feed dog base sliding plate
6	102021202	Setscrew
7	000002507	Snap ring E-4
8	000111108	Hexagonal socket screw 4x6
9	730184003	Feed dog
10	730183002	Setscrew
11	672042005	Feed dog base spring
12	647612015	Feed rock shaft crank (unit)
13	647064005	Feed rock shaft crank
14	102151006	Setscrew
15	102205006	Setscrew
16	738055008	Straight pin
17	000111304	Hexagonal socket screw 5x5
18	647607006	Fork rod (unit)
19	102141003	Feed regulator slide block
20	673103008	Feed rock shaft connecting pin
21	000002806	Snap ring E-6
22	730612005	Feed lifting arm (unit)
23	738028002	Feed lifting arm
24	735090109	Feed lifting shaft
25	730059008	Drop feed selecting plate
26	730061003	Drop feed selecting spring
27	730062004	Sliding plate
28	365032001	Flat screw
29	730063016	Feed lifting crank roller shaft
30	000101703	Setscrew 4x12
31	730064006	Feed lifting arm shaft holder
32	000101404	Setscrew 4x6

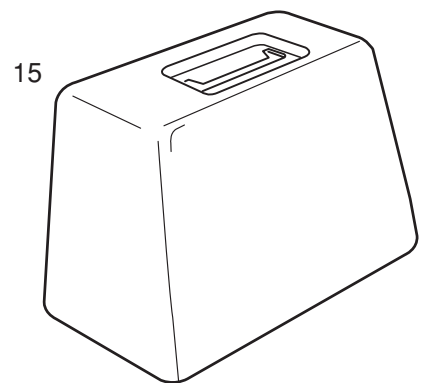
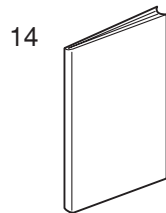
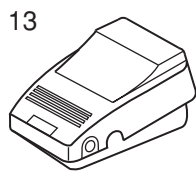
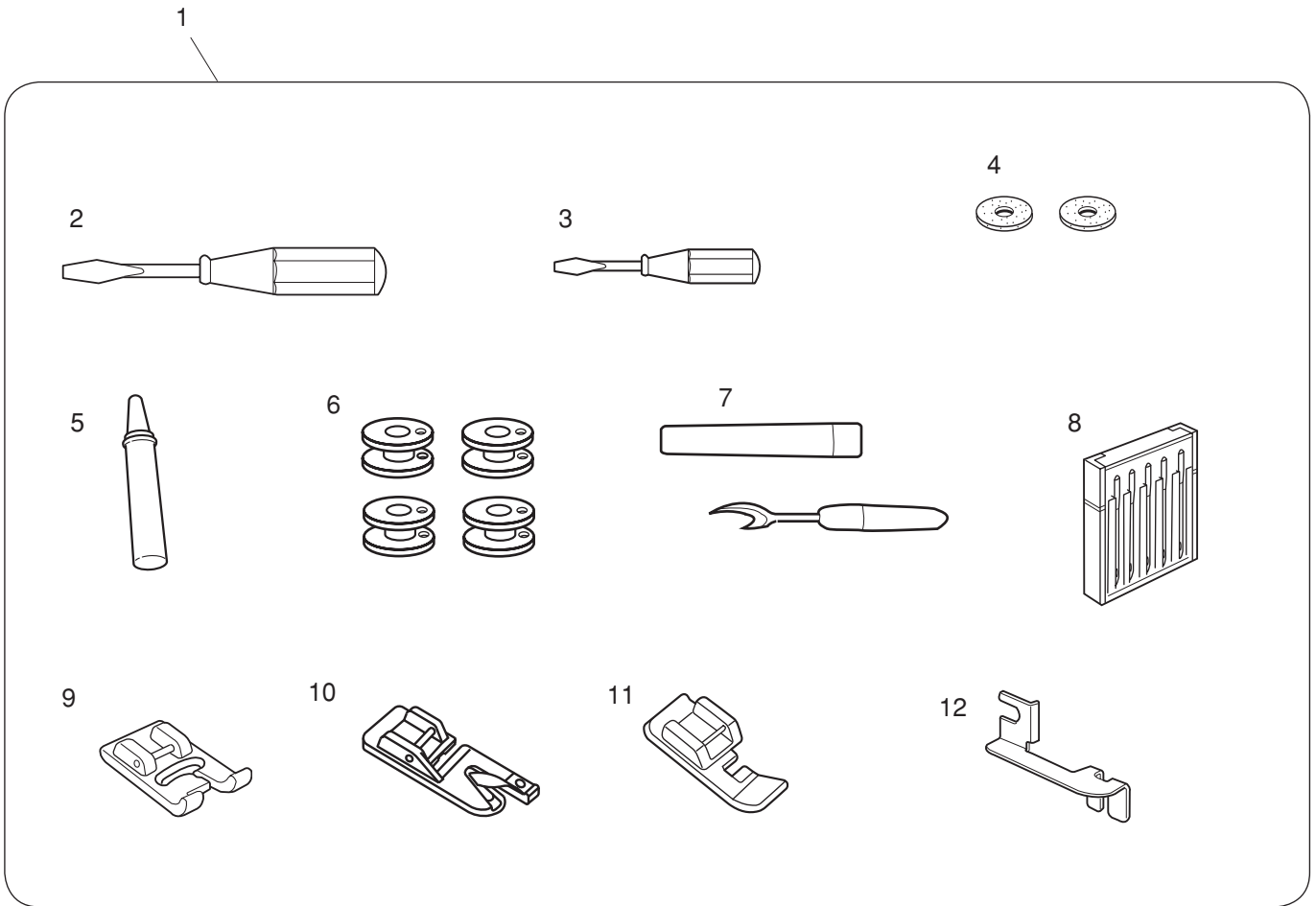
PARTS LIST



PARTS LIST

KEY NO.	PARTS NO.	DESCRIPTION
1	730010904	Bace
2	000081005	Setscrew 4x8
3	000107204	Setscrew 3x12 (B)
4	731668009	Arm leg (unit)
5	730008002	Arm leg
6	000061319	Nut 5-1-8
7	647009002	Bed rubber cushion
8	647010006	Adjusting screw
9	000066808	Setscrew 6x14
10	731002401	Belt cover
11	000104119	Setscrew 4x20
12	730507109	Machine socket (unit)
13	731052004	Machine socket set plate
14	000121400	Setscrew 3x14 (B)
15	000053008	Cord binder
16	624093013	Timing belt
17	023191804	Motor (unit)
18	000115504	Setscrew TP 5x10

PARTS LIST



PARTS LIST

KEY NO.	PARTS NO.	DESCRIPTION
1	721870005	Accessory set
2	647802003	Screw driver (large)
3	647803004	Screw driver (small)
4	102403109	Felt
5	741814003	Oil
6	102261000	Bobbin
7	647808009	Seam ripper/Buttonhole opener
8	540401026	Needle set
9	737801015	Buttonhole foot
10	743815000	Hemmer foot
11	611406002	Zipper foot
12	674401002	Hem guide
13	042870308	Foot control
14	731800131	Instruction book
15	465722101	Cover