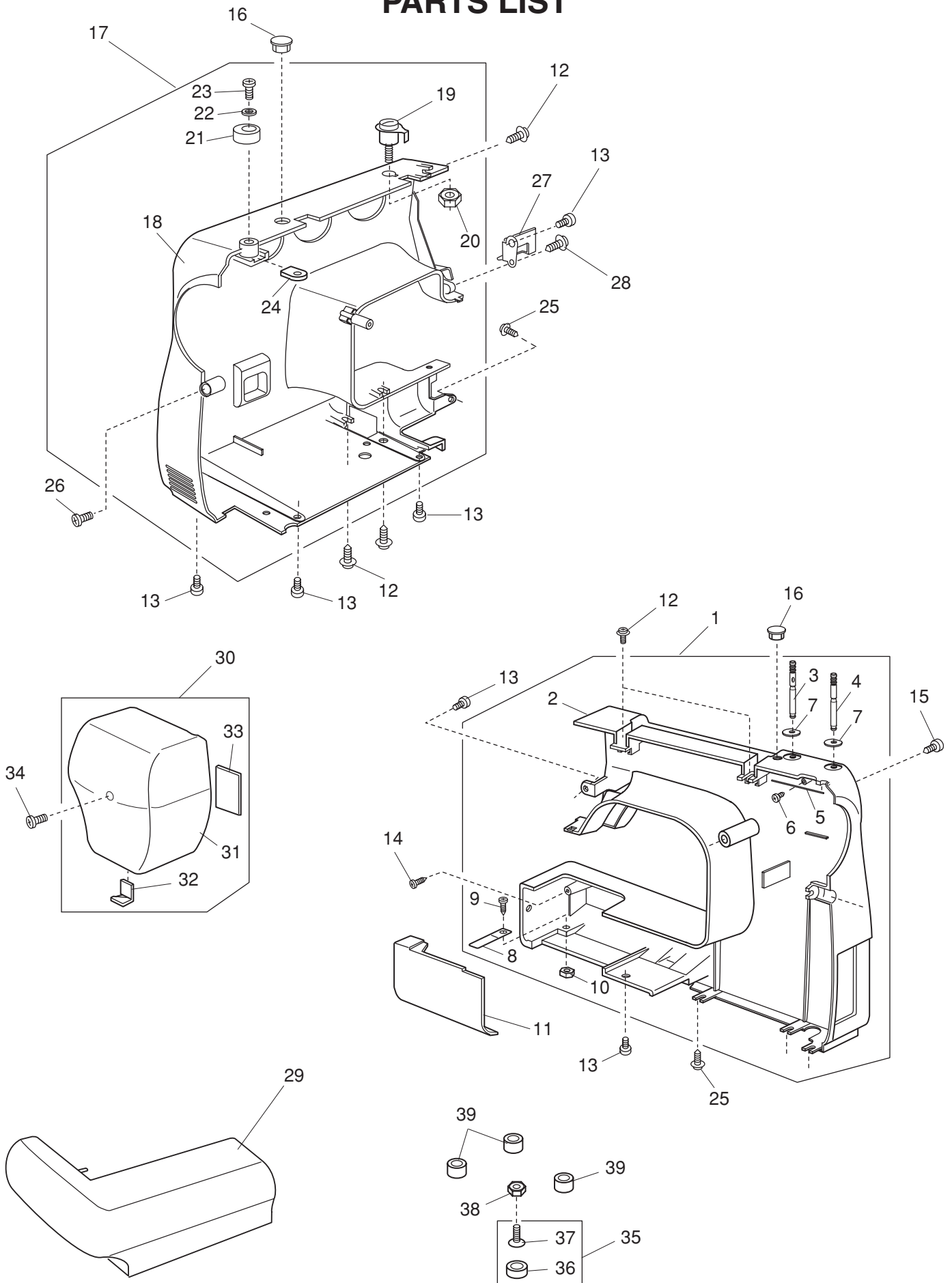


PARTS LIST

MODEL: NECCHI 294

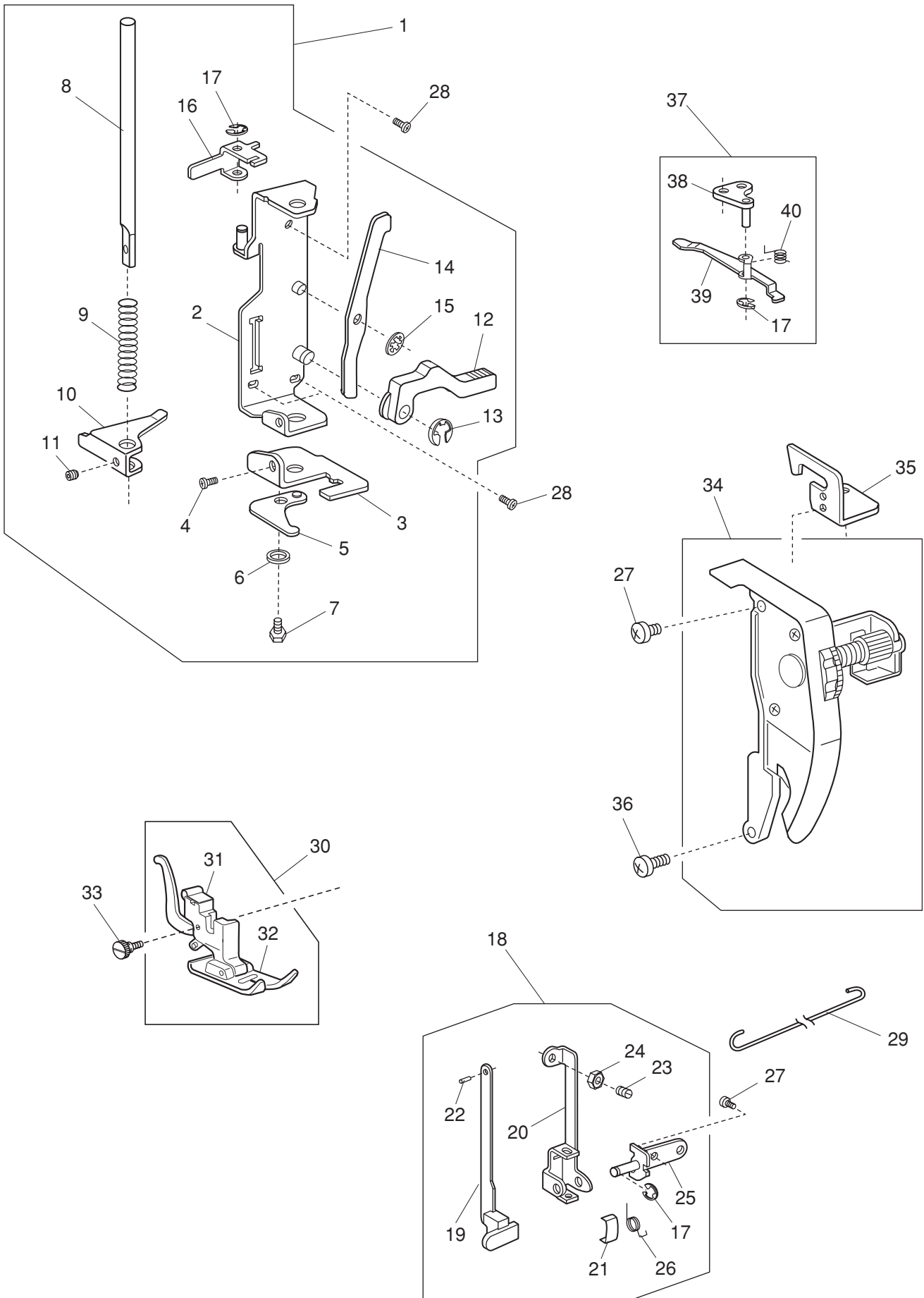
PARTS LIST



PARTS LIST

KEY NO.	PARTS NO.	DESCRIPTION
1	306601185	Rear cover (unit)
2	306101010	Rear cover
3	PREFISSO "J" 652302004	Spool pin
4	652205006	Spool pin
5	736007009	Spool pin spring
6	000076317	Tapping screw 3x10
7	735013005	Spool pin spring base
8	730006000	Spring
9	000101404	Setscrew 4x6
10	000061205	Nut 4-3-7
11	PREFISSO "J" 739004005	Bed cover plate
12	000115205	TP screw 4x6
13	000081005	Setscrew 4x8
14	000121905	Tapping screw 4x12 (B)
15	000198604	Tapping screw 4x14 (B)
16	653006101	Cap
17	PREFISSO "J" 306604834	Front cover (unit)
18	306109867	Front cover
19	730501044	Thread guide plate (unit)
20	000160102	Adjustable lock nut 4
21	735016307	Bobbin winder stopper
22	PREFISSO "J" 000071013	Washer
23	000103107	Setscrew 4x14
24	843014004	Nut
25	PREFISSO "J" 000115607	TP screw 4x8
26	000101703	Setscrew 4x12
27	745031000	Thread guide plate
28	000107307	Tapping screw 3x8 (B)
29	306102000	Extension table
30	PREFISSO "J" 306602175	Face cover (unit)
31	306103137	Face cover
32	PREFISSO "J" 840602006	Thread cutter (unit)
33	724025006	Reflex sticker
34	000080901	Setscrew 4x25
35	735616200	Rubber base (unit)
36	735002001	Rubber base
37	PREFISSO "J" 000097901	Flat screw M5x18
38	000061319	Nut 5-1-8
39	739064003	Bed rubber base

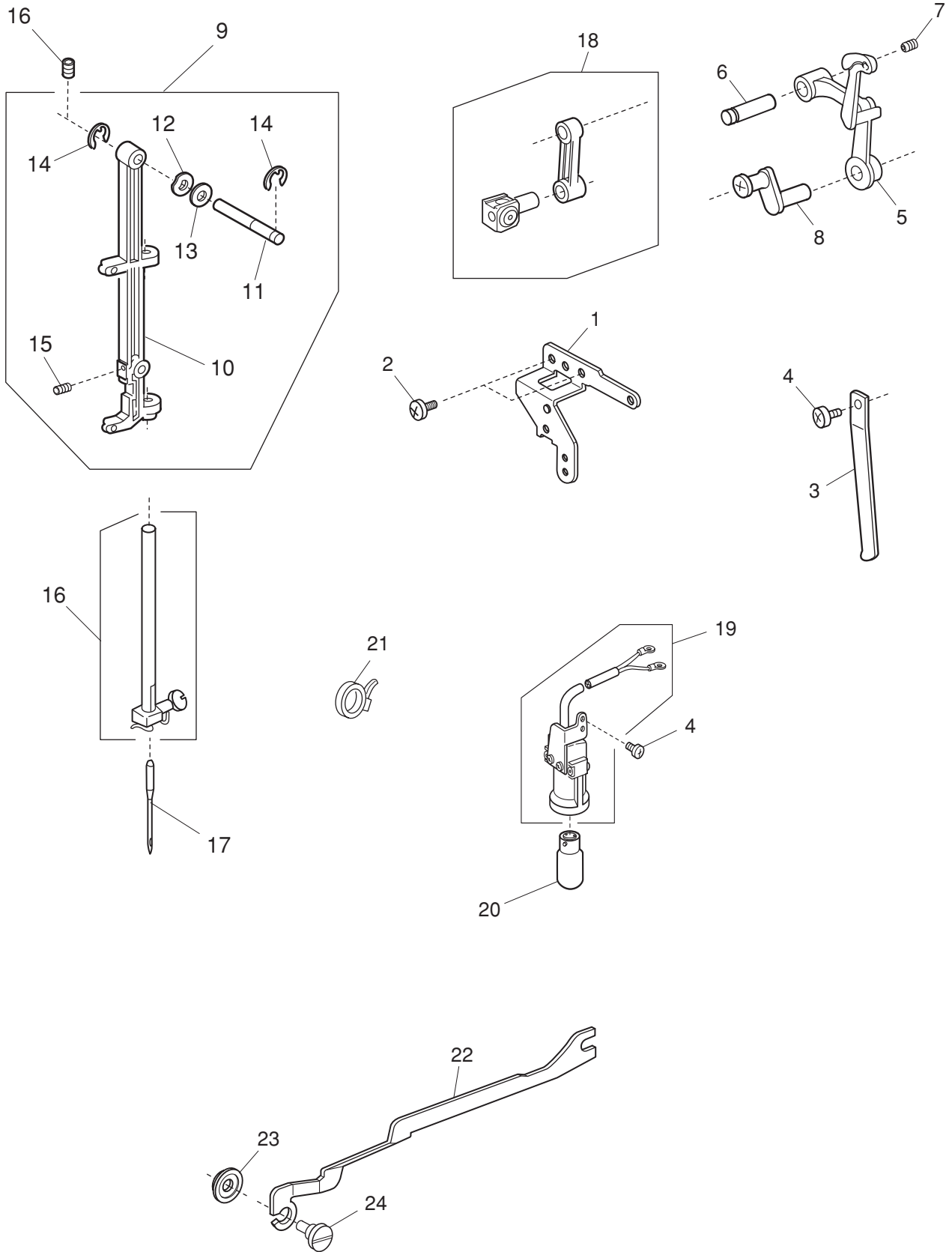
PARTS LIST



PARTS LIST

KEY NO.	PARTS NO.	DESCRIPTION
1	308611003	Presser bar base plate (unit)
2	308060001	Presser bar base plate
3	735222009	Needle drop adjusting plate
4	000101404	Setscrew 4x6
5	735025000	Needle bar supporter stopper
6	000070506	Washer
7	000138307	Bolt 4x8
8	735026001	Presser bar
9	735027002	Presser bar spring
10	735028003	Presser bar bracket
11	000111500	Hexagonal socket screw 4x8
12	735029004	Presser foot lifter
13	000001609	Snap ring E-5
14	735030008	Tension release lever
15	000013903	Snap ring CS-5
16	740051001	BH regulating lever
17	000002105	Snap ring E-3
18	740617001	BH lever (unit)
19	753629109	BH lever (unit)
20	740047004	BH lever supporter
21	753027008	Friction spring
22	000023009	Spring pin
23	000113306	Socket screw 4x10
24	000160102	Adjustable lock nut 4
25	740048005	BH lever base plate
26	740049006	BH lever spring
27	000103808	Setscrew 3x5
28	000081005	Setscrew 4x8
29	740052002	BH shifting rod
30	301612003	Presser foot (unit)
31	611510000	Presser foot holder (unit)
32	301505002	Zigzag foot (unit)
33	660106001	Thumb screw
34	306501106	Tension assembly (unit)
35	739016000	Top cover thread guide
36	000101703	Setscrew 4x12
37	304610000	Tension release arm (unit)
38	739017001	Tension release arm base
39	304045008	Tension release arm
40	739019003	Tension release spring

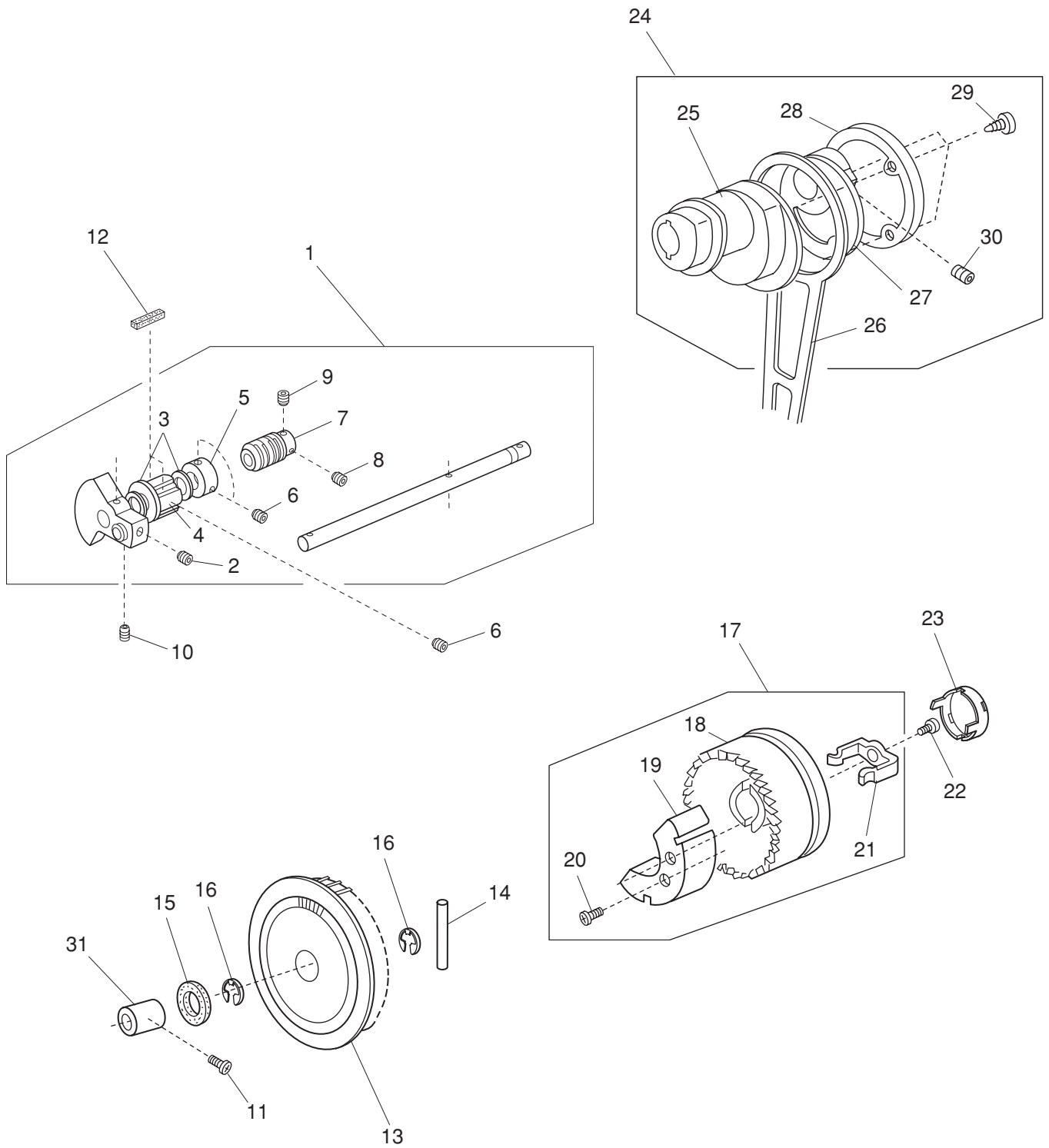
PARTS LIST



PARTS LIST

KEY NO.	PARTS NO.	DESCRIPTION
1	740007105	Face cover set plate (unit)
2	000081005	Setscrew 4X8
3	730024004	Needle bar supporter spring
4	000101404	Setscrew 4X6
5	625506109	Thread take-up lever (unit)
6	731511006	Thread take-up lever pin (unit)
7	000111304	Hexagonal socket screw 5X5
8	735504008	Needle bar crank pin (unit)
9	301610001	Needle bar supporter (unit)
10	301032003	Needle bar supporter
11	730022002	Needle bar supporter pin
12	673022002	Wave washer
13	000070609	Plain washer
14	000002507	Snap ring E-4
15	000111902	Hexagonal socket screw 3x4
16	730503116	Needle bar (unit)
17	102408089	Needle HA1-14
18	680504005	Needle bar connecting stud (unit)
19	743634003	Lamp socket (unit)
20	000009009	Lamp 240V 15W
21	000053709	Cord tie band
22	735119002	Zigzag rod
23	748021006	Zigzag rod plain washer
24	678084007	Eccentric pin

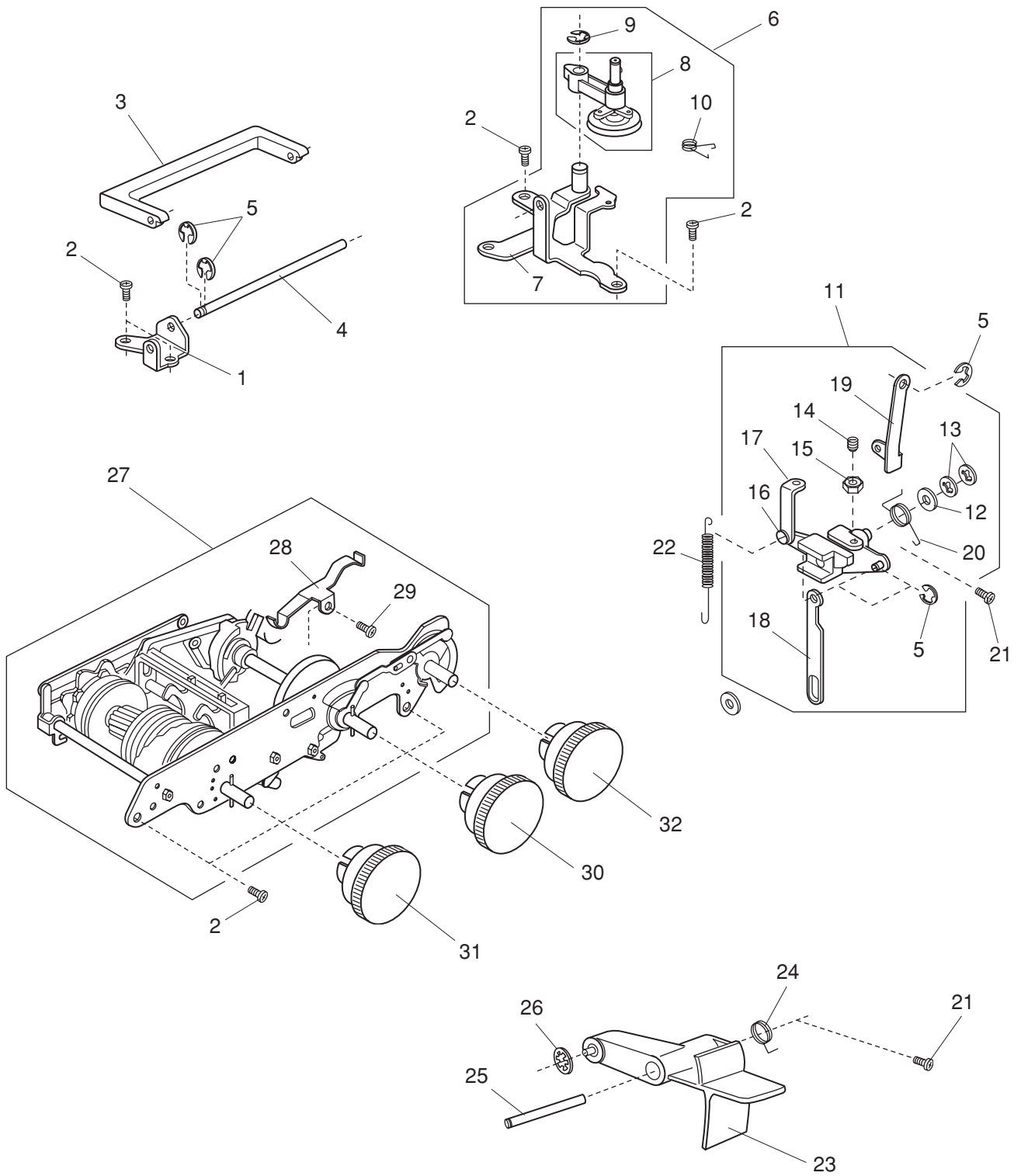
PARTS LIST



PARTS LIST

KEY NO.	PARTS NO.	DESCRIPTION
1	304607004	Upper shaft (unit)
2	102073003	Setscrew
3	000036717	Thrust washer
4	732025001	Upper shaft front bushing
5	639095000	Ring
6	000111304	Hexagonal socket screw 5x5
7	749011109	Worm
8	000111201	Hexagonal socket screw 4x4
9	000112501	Hexagonal socket screw 4x4
10	761052007	Setscrew
11	000172602	Setscrew 5x8
12	731312005	Felt
13	743019006	Belt wheel
14	000023803	Spring pin
15	743029009	Felt
16	000030205	Snap ring E-8
17	306605101	Handwheel (unit)
18	306105014	Handwheel
19	743030003	Balance weight
20	000121400	Tapping screw 3x14 (B)
21	639113016	Clutch spring
22	000081005	Setscrew 4x8
23	650070509	Clutch cap
24	304609006	Crank rod (unit)
25	304042005	Feed cam
26	743011008	Crank rod
27	304044007	Crank cam
28	304043006	Crank cam plate
29	000161309	Tapping screw 3x12 (B)
30	000110107	Hexagonal socket screw 5x5
31	732003003	Upper shaft rear bushing

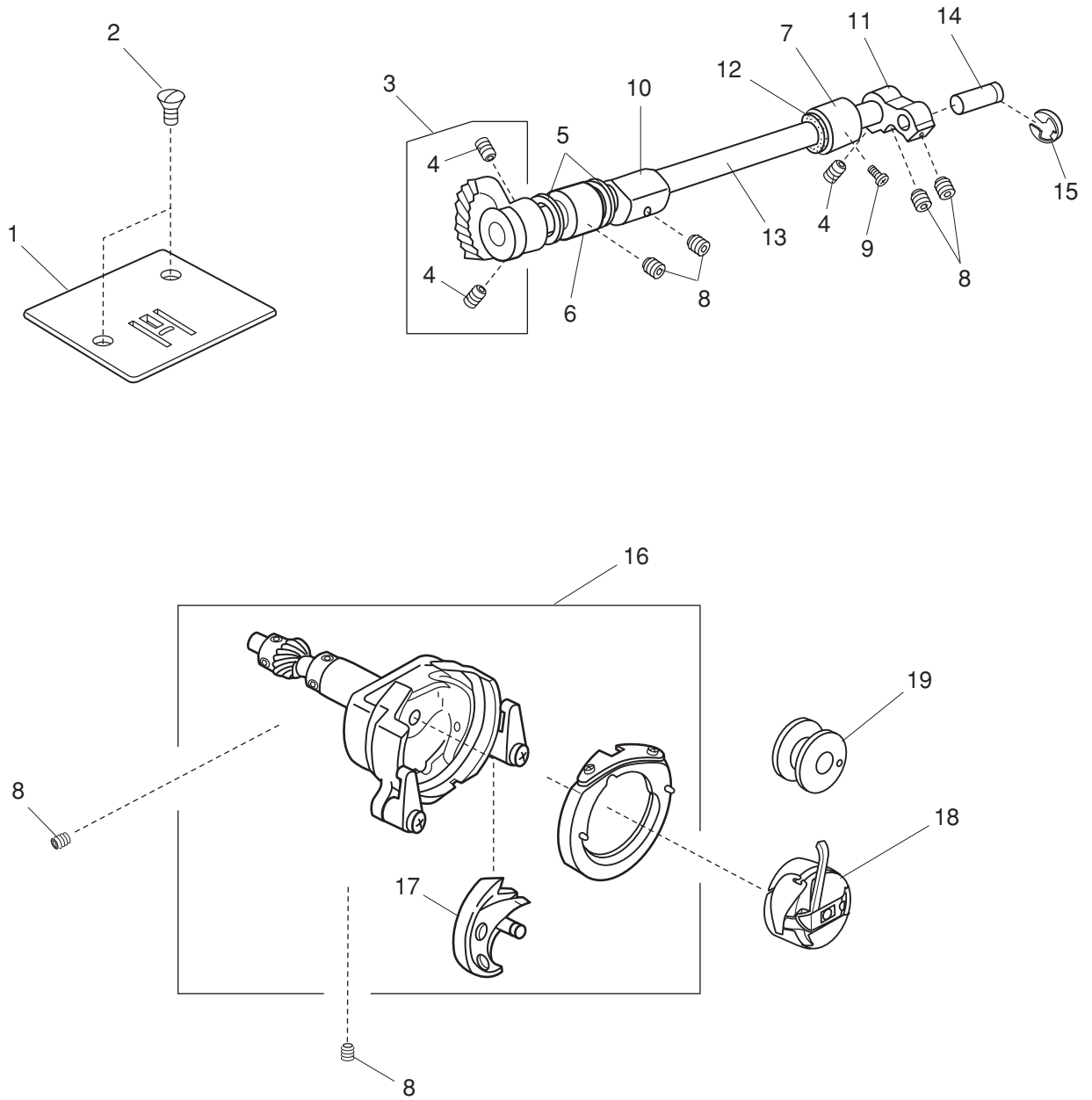
PARTS LIST



PARTS LIST

KEY NO.	PARTS NO.	DESCRIPTION
1	740010008	Handle supporter
2	000081005	Set screw 4x8
3	735017308	Handle
4	740011009	Handle shaft
5	000002105	Snap ring E-3
6	740602209	Bobbin winder base plate (unit)
7	740003101	Bobbin winder base plate
8	735501005	Bobbin winder arm (unit)
9	000002806	Snap ring E-6
10	740042009	Bobbin winder arm spring
11	304611104	Feed regulator (unit)
12	735073003	Plain washer
13	000013800	Snap ring CS-6
14	648010009	Setscrew
15	000160102	Adjustable lock nut 4
16	648012001	Screw
17	734039004	SS rod
18	745052007	Reverse link
19	739020007	Feed regulating rod
20	735077007	Feed regulating body spring
21	000101301	Setscrew 5x10
22	740125007	Feed regulator spring
23	306106004	R button
24	739063002	R button spring
25	736015000	R button shaft
26	000014007	Snap ring CS-4
27	306603006	Zigzag mechanism (unit)
28	737011009	Index spring
29	000103808	Setscrew 3x5
30	306118010	Selector dial (stitch length)
31	306114094	Selector dial (pattern)
32	306114083	Selector dial (width)

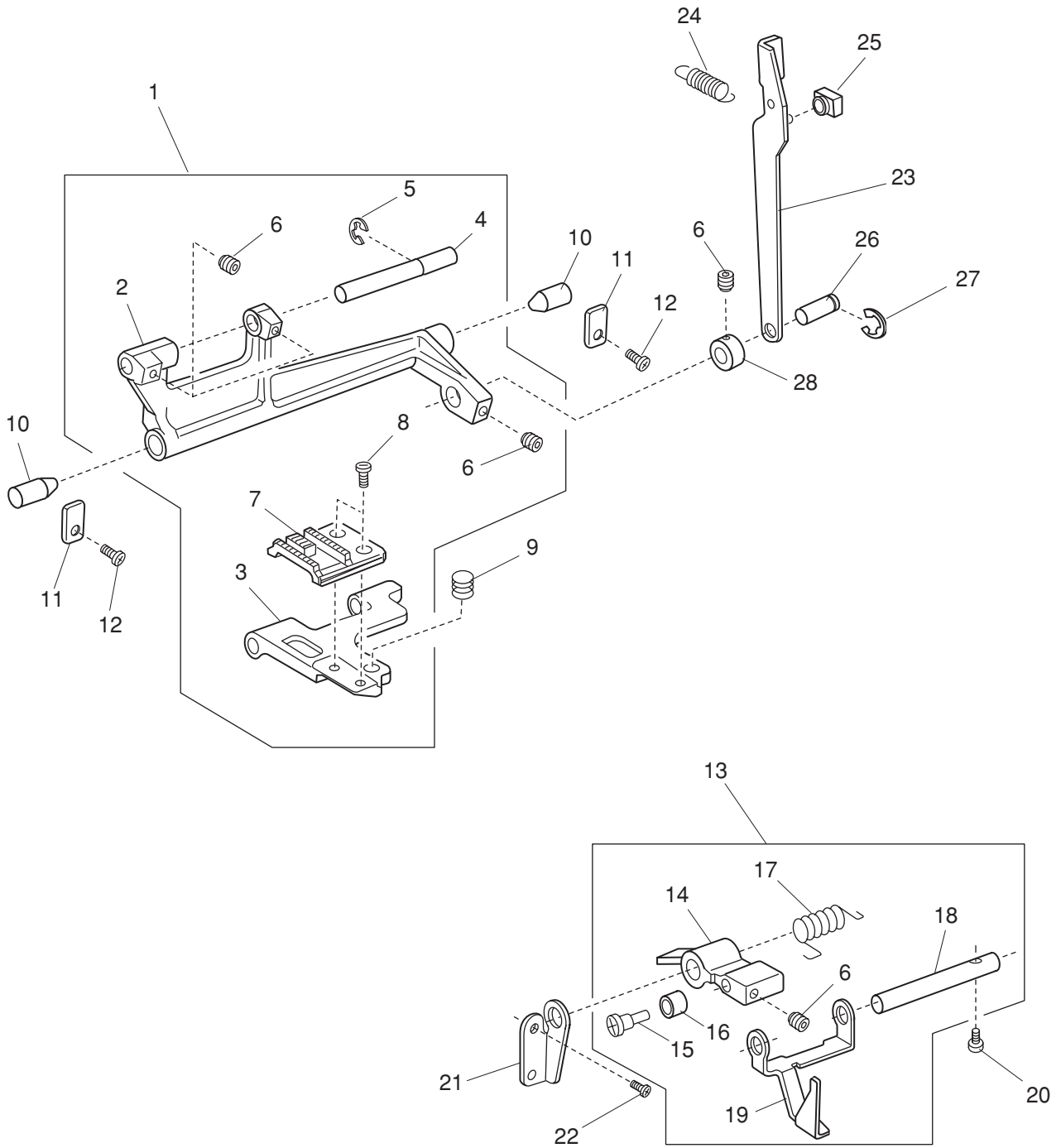
PARTS LIST



PARTS LIST

KEY NO.	PARTS NO.	DESCRIPTION
1	744004001	Needle plate
2	681009101	Setscrew
3	735950003	Lower shaft gear (unit)
4	000110107	Hexagonal socket screw 5x5 (WP)
5	000036201	Washer
6	735233003	Bushing
7	735234004	Bushing
8	000111304	Hexagonal socket screw 5x5
9	000172602	Setscrew 5x8
10	735061008	Feed lifting cam
11	639036003	Lower shaft crank arm
12	822070003	Felt
13	735236006	Lower shaft
14	639037004	Pin
15	000001609	Snap ring E-5
16	735610101	Shuttle race body (unit)
17	532096007	Shuttle hook
18	647515006	Bobbin case (unit)
19	102261000	Bobbin

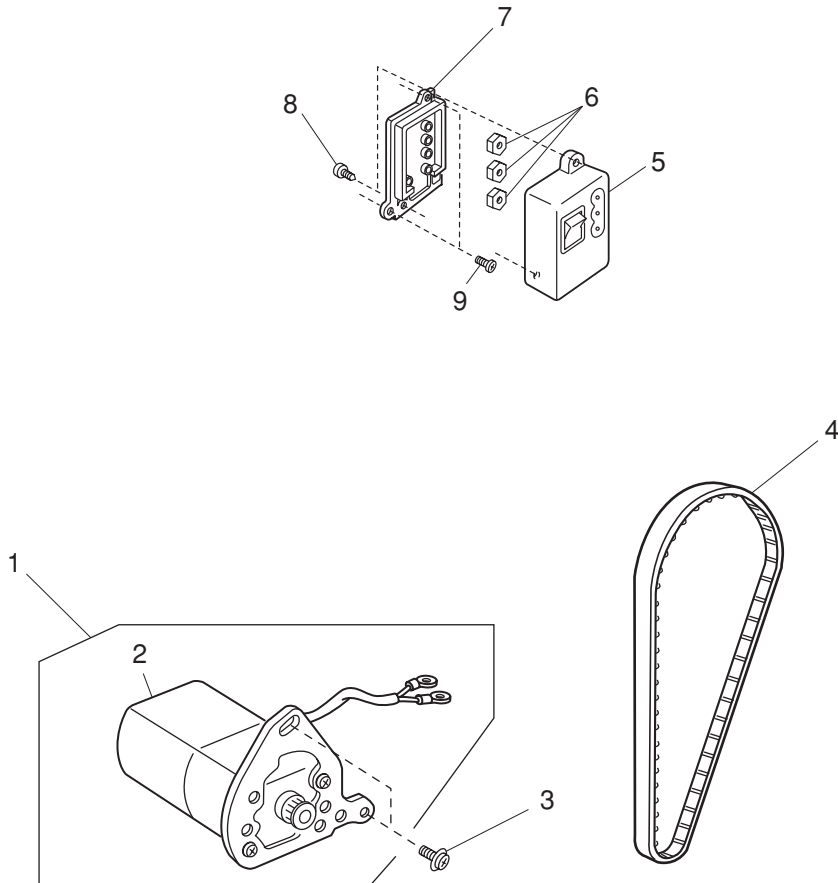
PARTS LIST



PARTS LIST

KEY NO.	PARTS NO.	DESCRIPTION
1	735612000	Feed rock shaft (unit)
2	735078008	Feed rock shaft
3	735079009	Feed bar
4	735080003	Feed bar shaft
5	000002507	Snap ring E-4
6	000111201	Hexagonal socket screw 4x4
7	735081004	Feed dog
8	735082005	Setscrew
9	735083006	Feed bar spring
10	735084007	Feed rock shaft center
11	735085008	Feed rock shaft center plate
12	000101404	Setscrew 4x6
13	301609007	Feed lifting arm (unit)
14	301027005	Feed lifting arm
15	735087000	Feed lifting pin
16	735088001	Feed lifting roller
17	730061003	Feed lifting spring
18	735090006	Feed lifting shaft
19	740013001	Drop feed selecting plate
20	000101703	Setscrew 4x12
21	739022009	Feed lifting shaft holder
22	000081119	Setscrew 4x6
23	743012009	Feed rod
24	743013000	Feed rod spring
25	102141003	Feed regulator slide block
26	735071104	Feed rock shaft connecting pin
27	000002806	Snap ring E-6
28	735276008	Ring

PARTS LIST



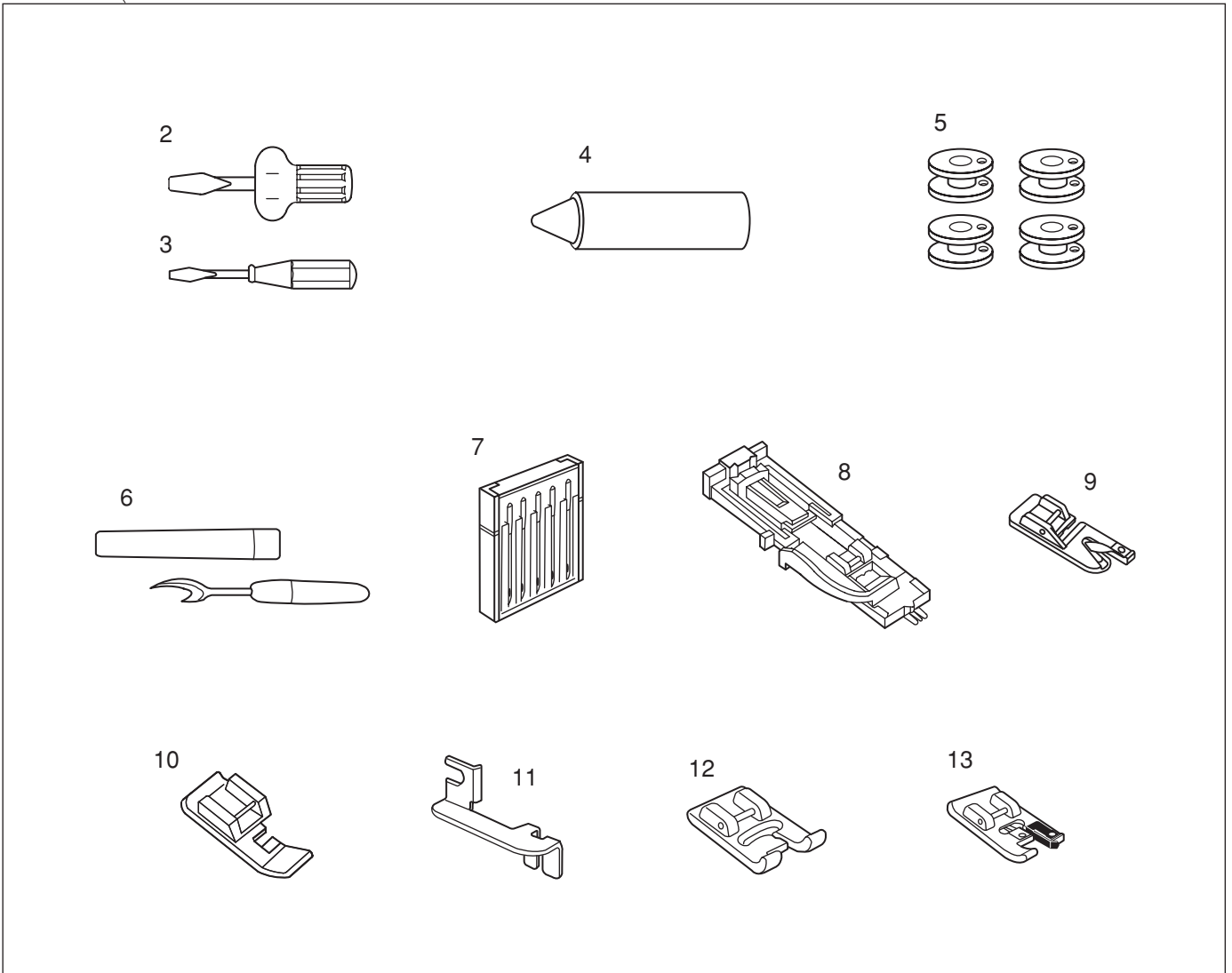
PARTS LIST

KEY NO.	PARTS NO.	DESCRIPTION
1	743611303	Motor (unit)
2	024070407	Motor
3	000201209	TP screw 5x12
4	650166008	Motor timing belt
5	793503308	Machine socket (unit)
6	000060802	Nut 3-1-5.5
7	739037007	Machine socket cover
8	000107802	Setscrew 3x10
9	000103509	Setscrew 4x10

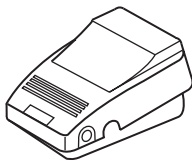
PREFISSO "J"

PARTS LIST

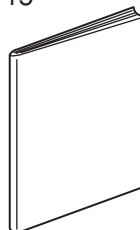
1



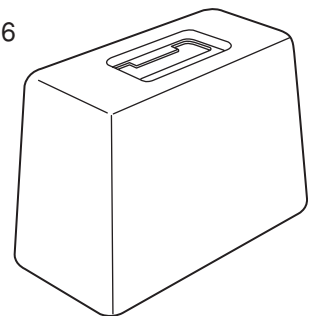
14



15



16



PARTS LIST

KEY NO.	PARTS NO.	DESCRIPTION
1	747870407	Accessory set
2	820832005	Screwdriver (large)
3	647803004	Screwdriver (small)
4	741814003	Oil
5	102261000	Bobbin
6	647808009	Seam ripper (unit)
7	540401026	Needle case (unit)
8	740801004	BH foot (unit)
9	743815000	Hemmer foot (unit)
10	611406002	Zipper foot (unit)
11	674401002	Hemming guide (unit)
12	737801015	Satin stitch foot (unit)
13	620404008	Overedge foot (unit)
14	042870308	Foot control
15	306800957	Instruction book
16	475701105	Cover