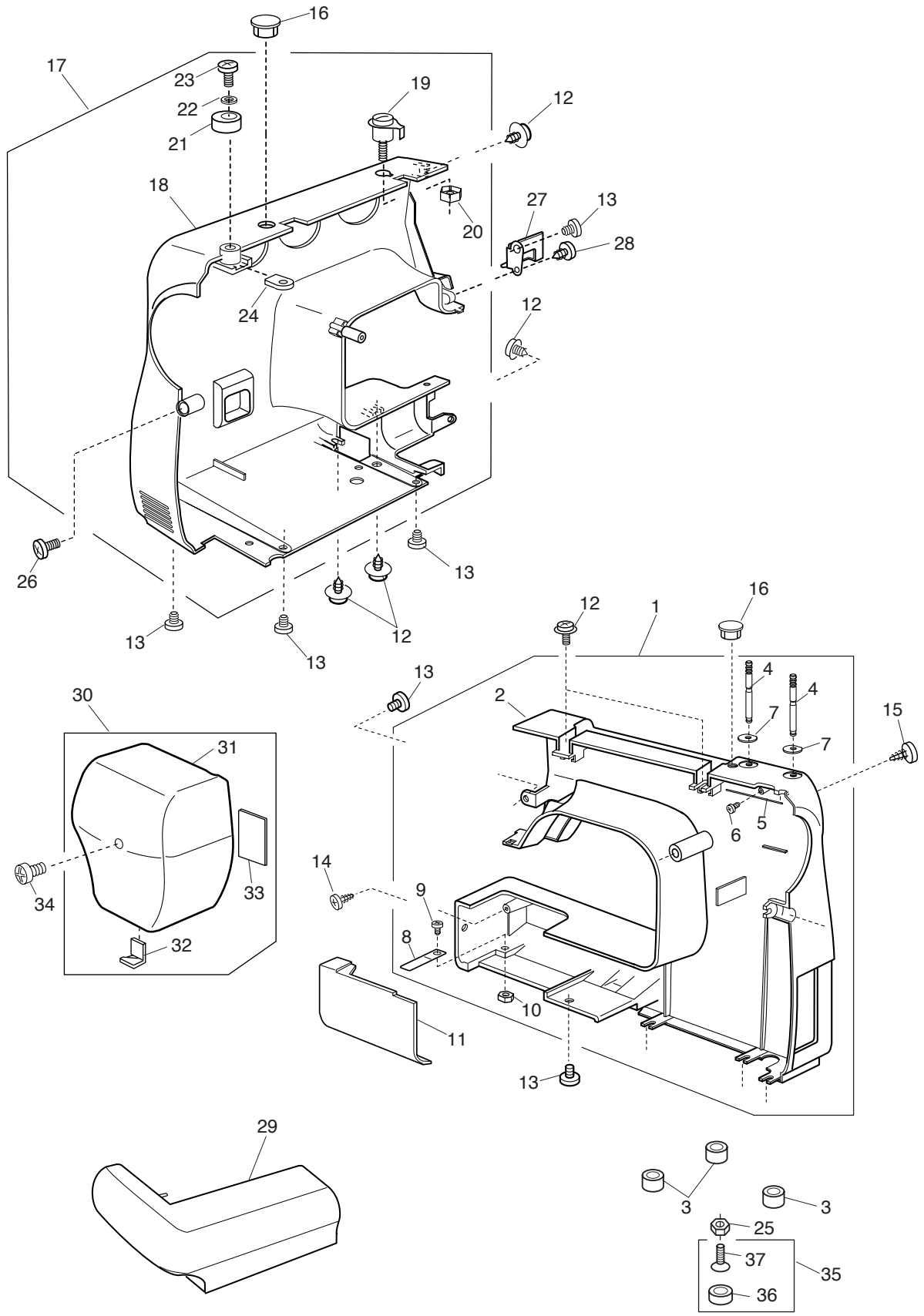


# ***PARTS LIST***

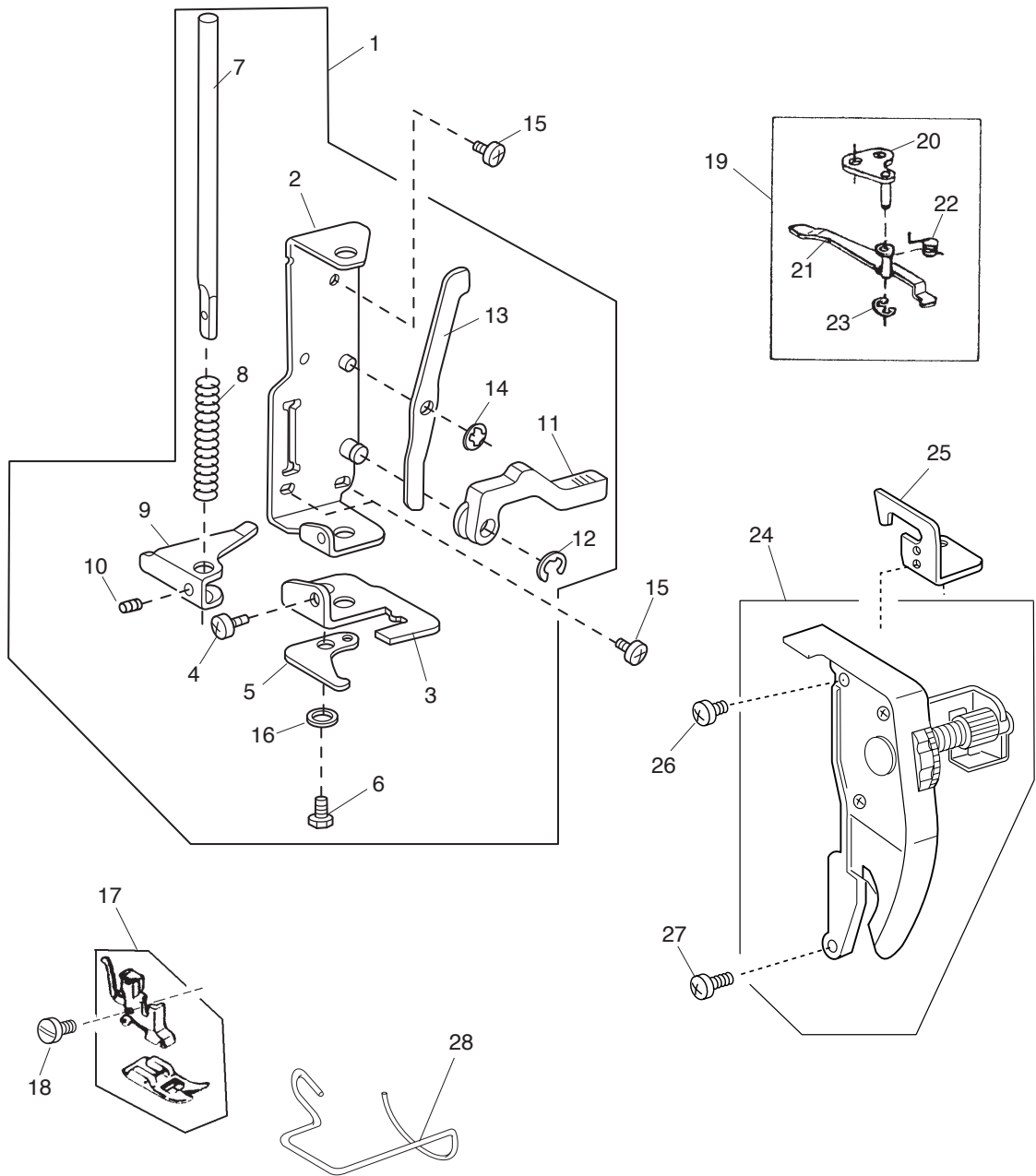
# PARTS LIST



# PARTS LIST

| KEY NO.             | PARTS NO. | DESCRIPTION                         |
|---------------------|-----------|-------------------------------------|
|                     | 1         | 306601048 Rear cover (unit)         |
|                     | 2         | 306101009 Rear cover                |
| <b>PREFISSO "J"</b> | 3         | 739064003 Bed rubber base           |
|                     | 4         | 652205109 Spool pin                 |
|                     | 5         | 736007009 Spool pin spring          |
|                     | 6         | 000076317 Setscrew 3x10             |
|                     | 7         | 735013005 Spool pin spring base     |
|                     | 8         | 730006000 Spring                    |
|                     | 9         | 000101404 Setscrew 4x6              |
|                     | 10        | 000061205 Nut                       |
|                     | 11        | 739004005 Bed cover plate           |
|                     | 12        | 000115205 Setscrew 4x6              |
| <b>PREFISSO "J"</b> | 13        | 000081005 Setscrew 4x8              |
|                     | 14        | 000121905 Setscrew 4x12B            |
|                     | 15        | 000198604 Setscrew 4x14B            |
|                     | 16        | 653006101 Cap                       |
|                     | 17        | 306604410 Front cover (unit)        |
|                     | 18        | 306109443 Front cover               |
|                     | 19        | 730501011 Thread guide plate (unit) |
|                     | 20        | 000160102 Adjustable lock nut 4     |
|                     | 21        | 735016307 Bobbin winder stopper     |
|                     | 22        | 000071013 Washer                    |
| <b>PREFISSO "J"</b> | 23        | 000103107 Setscrew 4x14             |
|                     | 24        | 843014004 Nut                       |
|                     | 25        | 000061319 Nut                       |
|                     | 26        | 000101703 Setscrew 4x12             |
|                     | 27        | 745031000 Thread guide plate        |
|                     | 28        | 000107307 Setscrew 3x8B             |
|                     | 29        | 306102000 Extension table           |
|                     | 30        | 306602072 Face cover (unit)         |
|                     | 31        | 306103056 Face cover                |
|                     | 32        | 840602006 Thread cutter (unit)      |
|                     | 33        | 724025006 Reflex sticker            |
|                     | 34        | 000080901 Setscrew 4x25             |
|                     | 35        | 735616200 Rubber base (unit)        |
|                     | 36        | 735002001 Rubber base               |
|                     | 37        | 000097901 Setscrew M5x18            |

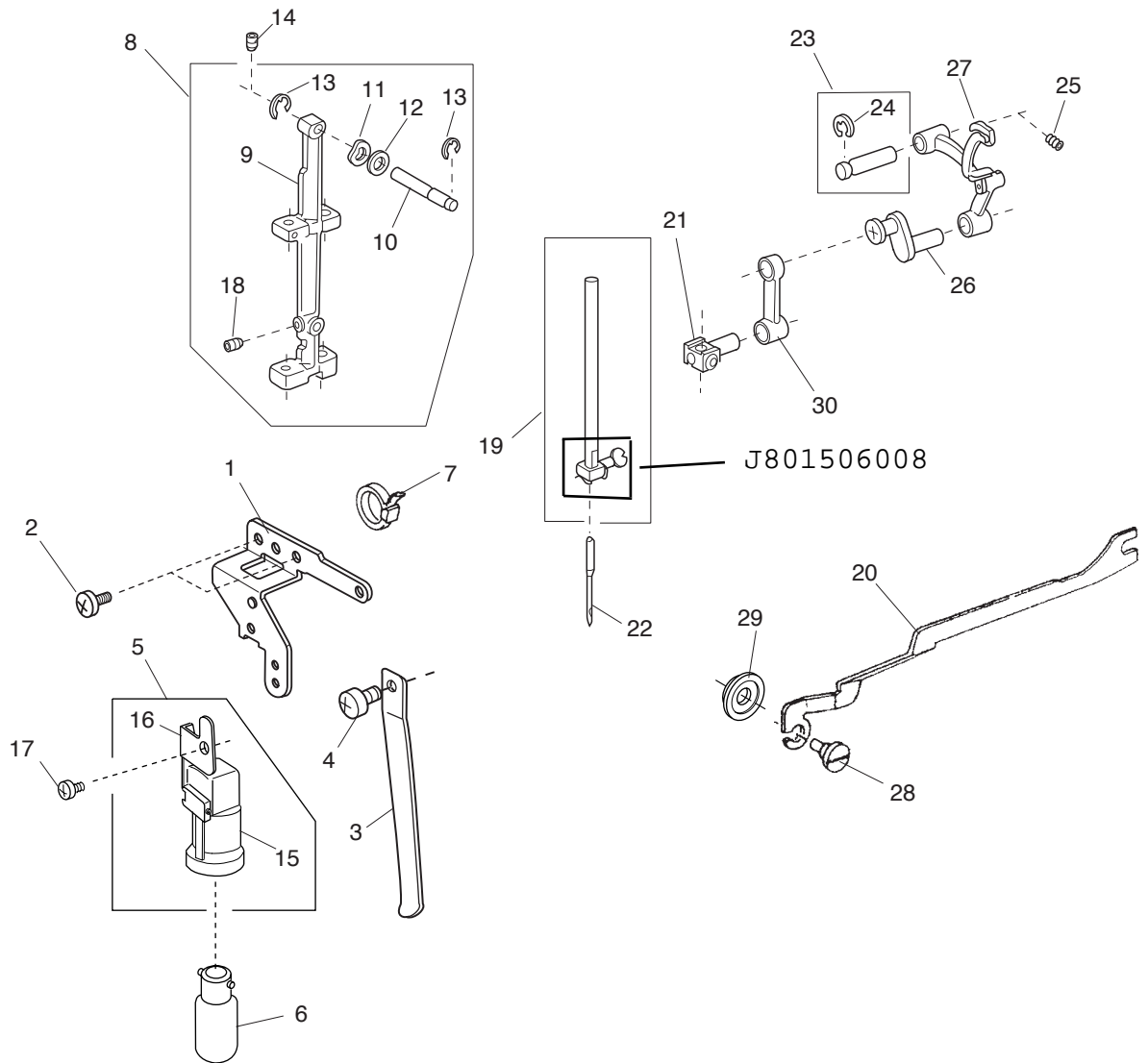
# PARTS LIST



# PARTS LIST

| KEY                 | PARTS     |                            |                               |
|---------------------|-----------|----------------------------|-------------------------------|
| NO.                 | NO.       |                            | DESCRIPTION                   |
|                     | 1         | 305604004                  | Presser bar base plate (unit) |
| <b>PREFISSO "J"</b> | 2         | 735221008                  | Presser bar base plate        |
|                     | 3         | 735222009                  | Needle drop adjusting plate   |
|                     | 4         | 000101404                  | Setscrew 4x6                  |
|                     | 5         | 735025000                  | Needle bar supporter stopper  |
|                     | 6         | 000138307                  | Bolt 4x8                      |
|                     | 7         | 735026001                  | Presser bar                   |
|                     | 8         | 735027002                  | Presser bar spring            |
|                     | 9         | 735028003                  | Presser bar bracket           |
|                     | 10        | 000111500                  | Hexagonal socket screw 4x8    |
| <b>PREFISSO "J"</b> | 11        | 735029004                  | Presser foot lifter           |
|                     | 12        | 000001609                  | Snap ring E-5                 |
|                     | 13        | 735030008                  | Tension release lever         |
|                     | 14        | 000013903                  | Snap ring CS-5                |
|                     | 15        | 000081005                  | Setscrew 4x8                  |
|                     | 16        | 000070506                  | Washer                        |
|                     | 17        | 301612003                  | Presser foot (unit)           |
|                     | 18        | 660106001                  | Thumb screw                   |
| 19                  | 304610000 | Tension release arm (unit) |                               |
| <b>PREFISSO "J"</b> | 20        | 739017001                  | Tension release arm base      |
|                     | 21        | 304045008                  | Tension release arm           |
|                     | 22        | 739019003                  | Tension release spring        |
|                     | 23        | 000002105                  | Snap ring E-3                 |
|                     | 24        | 306501106                  | Tension assembly              |
|                     | 25        | 739016000                  | Top cover thread guide        |
|                     | 26        | 000103808                  | Setscrew 3x5                  |
|                     | 27        | 000101703                  | Setscrew 4x12                 |
|                     | 28        | 687803008                  | Finger guard                  |

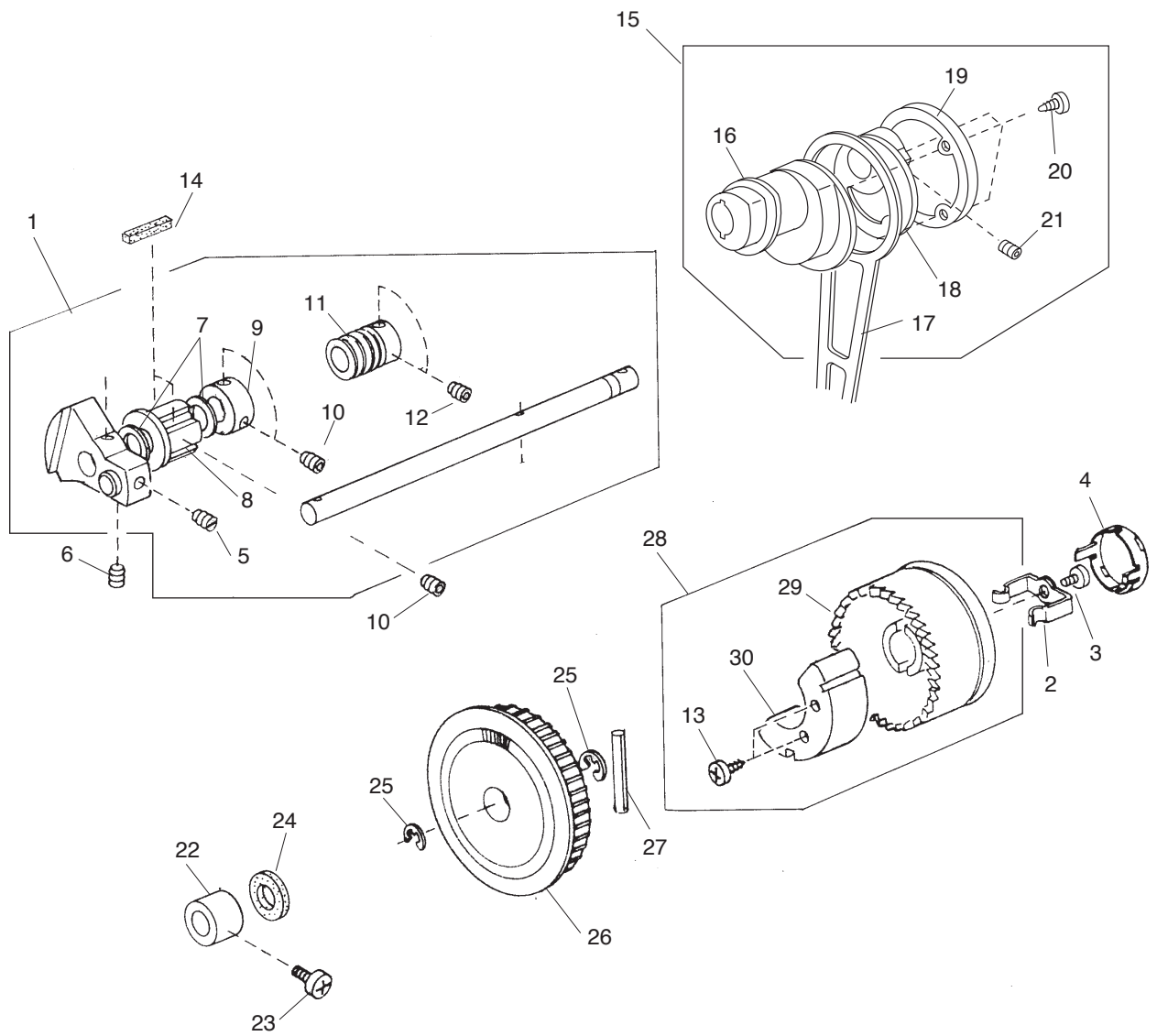
# PARTS LIST



# PARTS LIST

| KEY NO.             | PARTS NO.           | DESCRIPTION                       |
|---------------------|---------------------|-----------------------------------|
|                     | 1 740007105         | Face cover set plate (unit)       |
|                     | 2 000081005         | Setscrew 4x8                      |
| <b>PREFISSO "J"</b> | 3 730024004         | Needle bar supporter spring       |
|                     | 4 000101404         | Setscrew 4x6                      |
|                     | 5 743634003         | Lamp socket (unit)                |
|                     | 6 000009009         | Lamp 240V 15W                     |
|                     | 7 000053008         | Cord tie band                     |
|                     | 8 301610001         | Needle bar supporter (unit)       |
|                     | 9 301032003         | Needle bar supporter              |
|                     | 10 730022002        | Needle bar supporter pin          |
|                     | 11 673022002        | Wave washer                       |
|                     | 12 000070609        | Plain washer                      |
|                     | <b>PREFISSO "J"</b> | 13 000002507                      |
| 14 000111304        |                     | Hexagonal socket screw 5x5        |
| 15 655681009        |                     | Lamp socket (unit)                |
| 16 748026001        |                     | Lamp socket set plate             |
| 17 000101404        |                     | Setscrew 4x6                      |
| 18 000111902        |                     | Hexagonal socket screw 3x4        |
| <b>PREFISSO "J"</b> | 19 730503116        | Needle bar (unit)                 |
|                     | 20 735119002        | Zigzag rod                        |
|                     | 21 639516002        | Needle bar connecting stud (unit) |
|                     | 22 102408089        | Needle HA1-14                     |
|                     | 23 731511006        | Thread take-up lever pin (unit)   |
|                     | 24 000002806        | Snap ring E-3                     |
|                     | 25 000111304        | Hexagonal socket screw 5x5        |
|                     | 26 735504008        | Needle bar crank pin (unit)       |
|                     | 27 625506109        | Thread take-up lever (unit)       |
|                     | 28 678084007        | Eccentric pin                     |
|                     | 29 748021006        | Zigzag rod plain washer           |
|                     | 30 743200006        | Needle bar crank rod              |

# PARTS LIST





# PARTS LIST

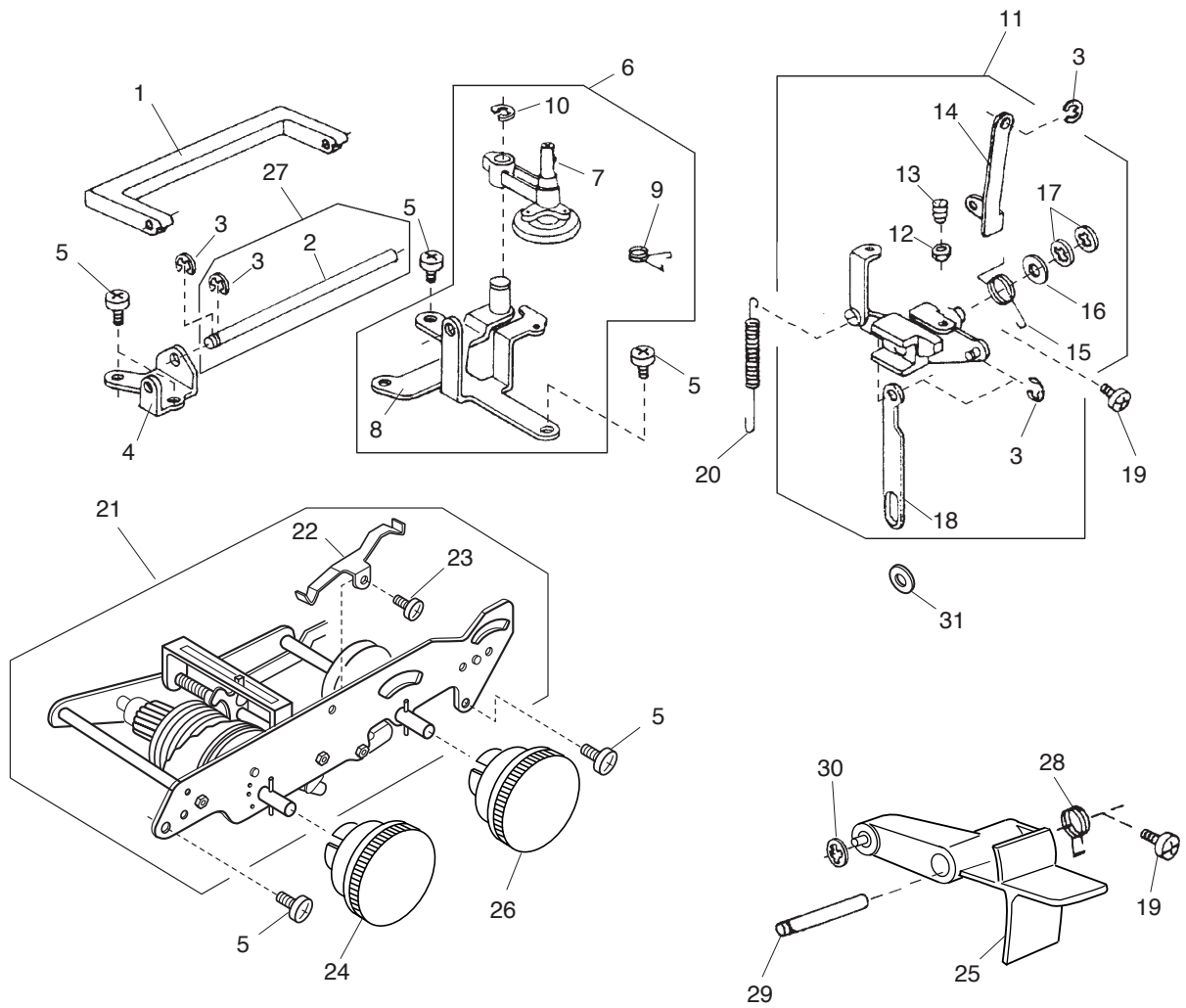
| KEY | PARTS        |                            |
|-----|--------------|----------------------------|
| NO. | NO.          | DESCRIPTION                |
|     | 1 304607004  | Upper shaft (unit)         |
|     | 2 639113016  | Clutch spring              |
|     | 3 000081005  | Setscrew 4x8               |
|     | 4 650070509  | Clutch cap                 |
|     | 5 102073003  | Setscrew                   |
|     | 6 761052007  | Setscrew                   |
|     | 7 000036717  | Thrust washer              |
|     | 8 732025001  | Upper shaft front bushing  |
|     | 9 639095000  | Ring                       |
|     | 10 000111304 | Hexagonal socket screw 5x5 |
|     | 11 749011109 | Worm                       |
|     | 12 000111201 | Hexagonal socket screw 4x4 |
|     | 13 000121400 | Setscrew 3x14B             |
|     | 14 731312005 | Felt                       |
|     | 15 304609006 | Crank rod (unit)           |
|     | 16 304042005 | Feed cam                   |
|     | 17 743011008 | Crank rod                  |
|     | 18 304044007 | Crank cam                  |
|     | 19 304043006 | Crank cam plate            |
|     | 20 000161309 | Setscrew 3x12B             |
|     | 21 000110107 | Hexagonal socket screw 5x5 |
|     | 22 732003003 | Upper shaft rear bushing   |
|     | 23 000172602 | Setscrew 5x8               |
|     | 24 743029009 | Felt                       |
|     | 25 000030205 | Snap ring E-8              |
|     | 26 743019006 | Belt wheel                 |
|     | 27 000023803 | Spring pin                 |
|     | 28 306605101 | Handwheel (unit)           |
|     | 29 306105014 | Handwheel                  |
|     | 30 743030003 | Balance weight             |

**PREFISSO "J"**

**PREFISSO "J"**

**PREFISSO "J"**

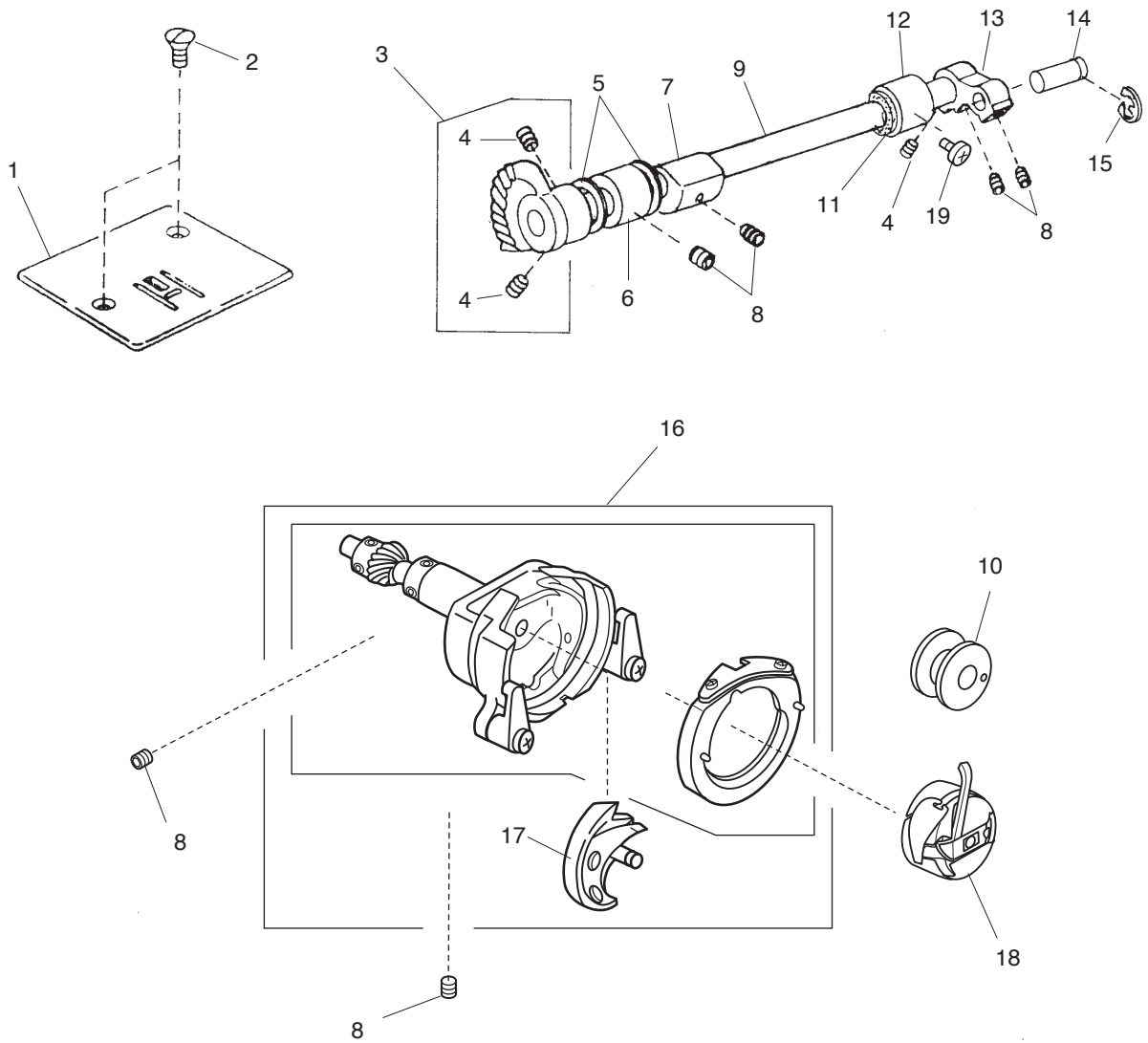
# PARTS LIST



# PARTS LIST

| KEY NO.      | PARTS NO.    | DESCRIPTION                     |
|--------------|--------------|---------------------------------|
|              | 1 735017308  | Handle                          |
| PREFISSO "J" | 2 740011009  | Handle shaft                    |
|              | 3 000002105  | Snap ring E-3                   |
|              | 4 740010008  | Handle supporter                |
|              | 5 000081005  | Setscrew 4x8                    |
|              | 6 740602209  | Bobbin winder base plate (unit) |
|              | 7 735501005  | Bobbin winder arm (unit)        |
|              | 8 740003101  | Bobbin winder base plate        |
|              | 9 740042009  | Bobbin winder arm spring        |
|              | 10 000002806 | Snap ring E-6                   |
| PREFISSO "J" | 11 304611104 | Feed regulator (unit)           |
|              | 12 000160102 | Adjustable lock nut 4           |
|              | 13 648010009 | Setscrew                        |
|              | 14 739020007 | Feed regulating rod             |
|              | 15 735077007 | Feed regulating body spring     |
|              | 16 735073003 | Plain washer                    |
|              | 17 000013800 | Snap ring CS-6                  |
|              | 18 745052007 | Reverse link                    |
|              | 19 000101301 | Setscrew 5x10                   |
| PREFISSO "J" | 20 670100006 | Feed regulator spring           |
|              | 21 307604000 | Zigzag mechanism (unit)         |
|              | 22 737011009 | Index spring                    |
|              | 23 000103808 | Setscrew 3x5                    |
|              | 24 306108545 | Selector dial (pattern)         |
|              | 25 306106004 | R button                        |
|              | 26 306107326 | Selector dial (stitch length)   |
|              | 27 740624001 | Handle shaft (unit)             |
|              | 28 739063002 | R button spring                 |
|              | 29 736015000 | R button shaft                  |
|              | 30 000014007 | Snap ring CS-4                  |
|              | 31 000070609 | Washer 6                        |

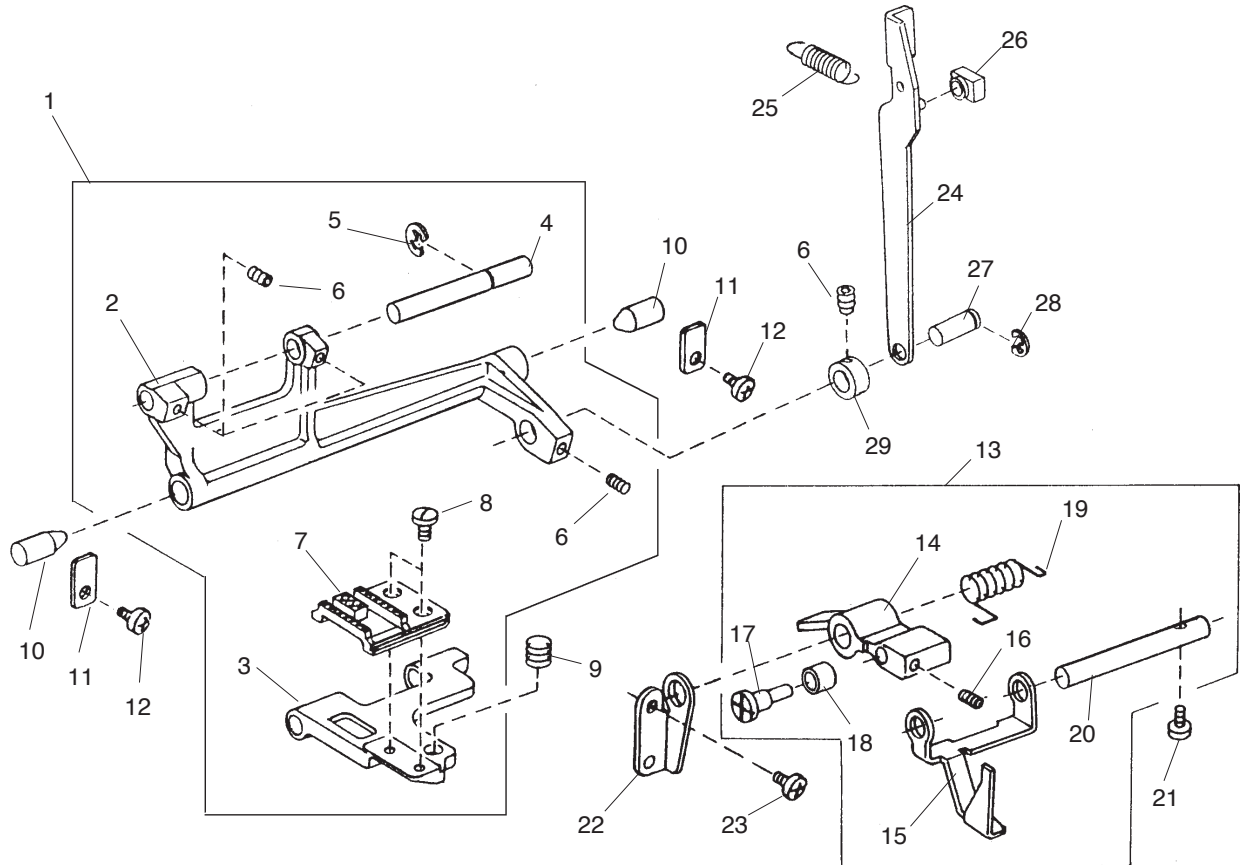
# PARTS LIST



# PARTS LIST

|                     | KEY<br>NO. | PARTS<br>NO. | DESCRIPTION                  |
|---------------------|------------|--------------|------------------------------|
| <b>PREFISSO "J"</b> | 1          | 744004001    | Needle plate                 |
|                     | 2          | 681009101    | Setscrew                     |
|                     | 3          | 735950003    | Lower shaft gear (unit)      |
|                     | 4          | 000110107    | Hexagonal socket screw 5x5WP |
|                     | 5          | 000036201    | Washer                       |
|                     | 6          | 735233003    | Bushing                      |
|                     | 7          | 735061101    | Feed lifting cam             |
| <b>PREFISSO "J"</b> | 8          | 000111304    | Hexagonal socket screw 5x5   |
|                     | 9          | 735236006    | Lower shaft                  |
|                     | 10         | 102261000    | Bobbin                       |
|                     | 11         | 822070003    | Felt                         |
|                     | 12         | 735234004    | Bushing                      |
|                     | 13         | 639036003    | Lower shaft crank arm        |
|                     | 14         | 639037004    | Pin                          |
|                     | 15         | 000001609    | Snap ring E-5                |
|                     | 16         | 735610101    | Shuttle race body (unit)     |
|                     | 17         | 532096007    | Shuttle hook                 |
|                     | 18         | 647515006    | Bobbin case (unit)           |
|                     | 19         | 000172602    | Setscrew 5x8                 |

# PARTS LIST



# PARTS LIST

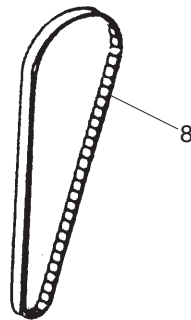
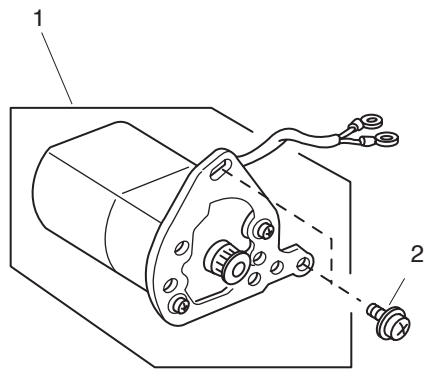
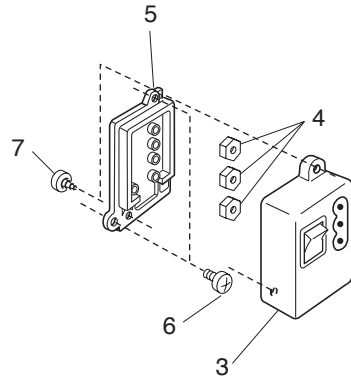
| KEY<br>NO. | PARTS<br>NO. | DESCRIPTION                              |
|------------|--------------|--|
|            | 1            | 735612000 Feed rock shaft (unit)         |
|            | 2            | 735078008 Feed rock shaft                |
|            | 3            | 735079009 Feed bar                       |
|            | 4            | 735080003 Feed bar shaft                 |
|            | 5            | 000002507 Snap ring E-4                  |
|            | 6            | 000111201 Hexagonal socket screw 4x4     |
|            | 7            | 735081004 Feed dog                       |
|            | 8            | 735082005 Setscrew                       |
|            | 9            | 735083006 Feed bar spring                |
|            | 10           | 735084007 Feed rock shaft center         |
|            | 11           | 735085008 Feed rock shaft center plate   |
|            | 12           | 000101404 Setscrew 4x6                   |
|            | 13           | 301609007 Feed lifting arm (unit)        |
|            | 14           | 301027005 Feed lifting arm               |
|            | 15           | 740013001 Drop feed selecting plate      |
|            | 16           | 000111201 Hexagonal socket screw 4x4     |
|            | 17           | 735087000 Feed lifting pin               |
|            | 18           | 735088001 Feed lifting roller            |
|            | 19           | 730061003 Feed lifting spring            |
|            | 20           | 735090006 Feed lifting shaft             |
|            | 21           | 000101703 Setscrew 4x12                  |
|            | 22           | 739022009 Feed lifting shaft holder      |
|            | 23           | 000081119 Setscrew 4x6                   |
|            | 24           | 743012009 Feed rod                       |
|            | 25           | 743013000 Feed rod spring                |
|            | 26           | 102141003 Feed regulator slide block     |
|            | 27           | 735071104 Feed rock shaft connecting pin |
|            | 28           | 000002806 Snap ring E-6                  |
|            | 29           | 735276008 Ring                           |

**PREFISSO "J"**

**PREFISSO "J"**

**PREFISSO "J"**

# PARTS LIST

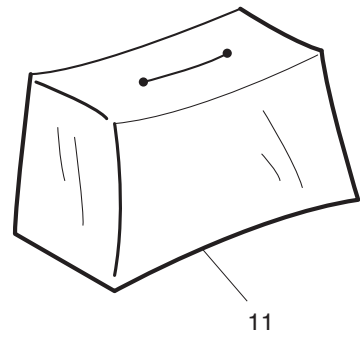
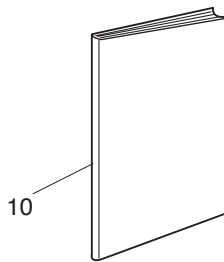
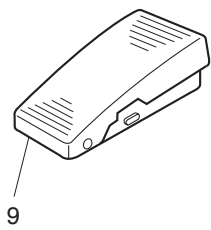
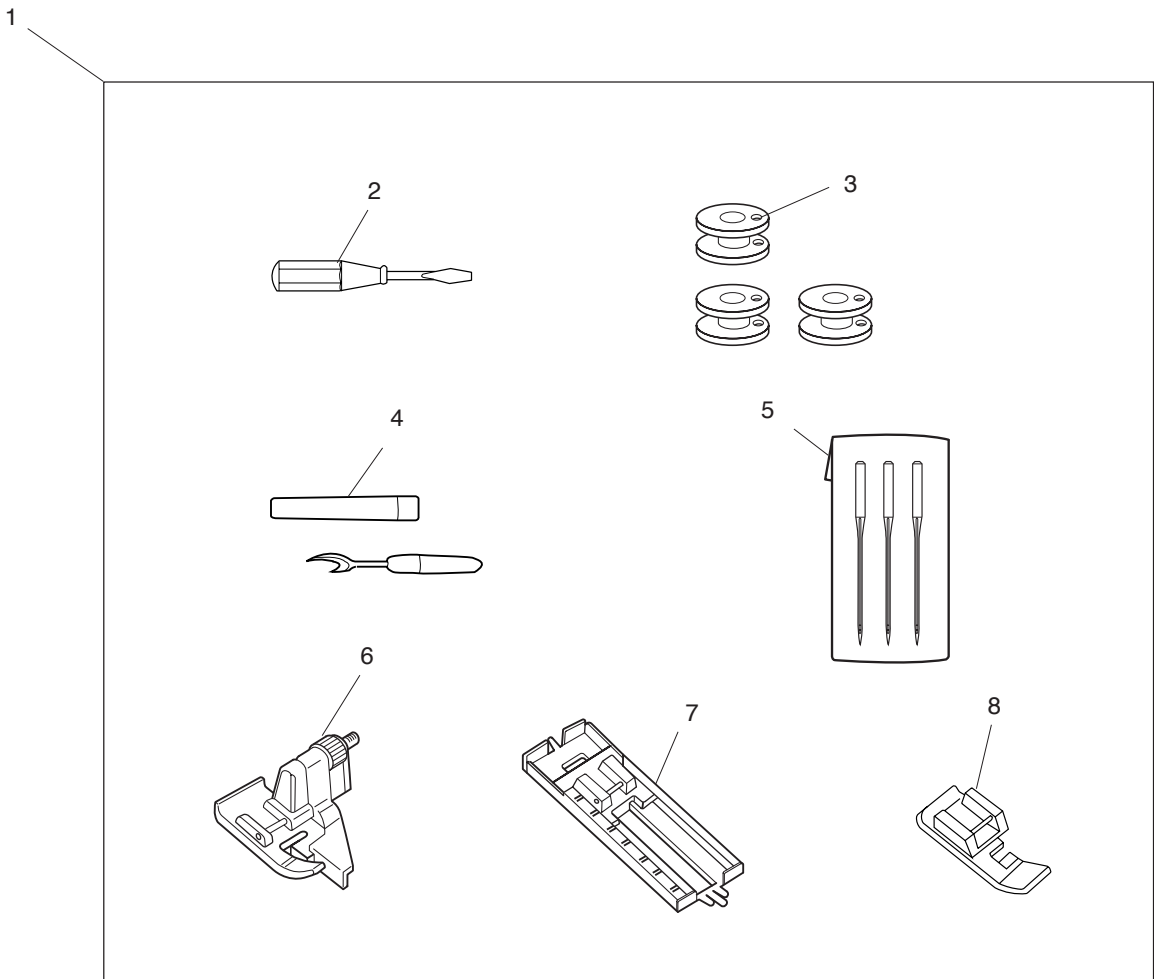




# PARTS LIST

|                     | KEY | PARTS     |                       |
|---------------------|-----|-----------|-----------------------|
|                     | NO. | NO.       | DESCRIPTION           |
| <b>PREFISSO "J"</b> | 1   | 743611303 | Motor (unit)          |
|                     | 2   | 000201209 | Setscrew 5x12         |
|                     | 3   | 739503308 | Machine socket (unit) |
|                     | 4   | 000060802 | Nut                   |
|                     | 5   | 739037007 | Machine socket cover  |
|                     | 6   | 000103509 | Setscrew 4x10         |
|                     | 7   | 000107802 | Setscrew 3x10         |
|                     | 8   | 650166008 | Motor timing belt     |

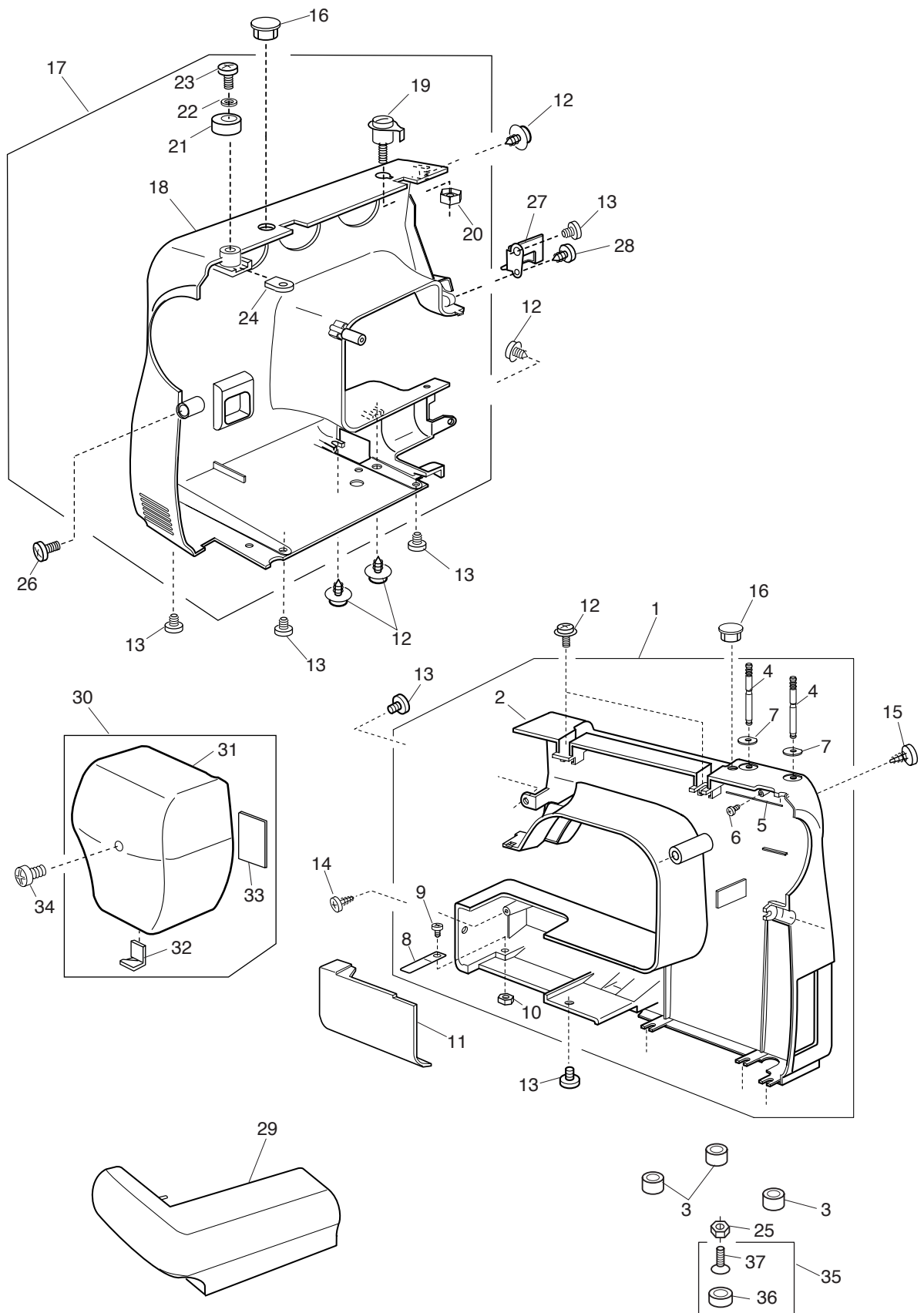
# PARTS LIST



# PARTS LIST

|                     | KEY | PARTS     |                       |
|---------------------|-----|-----------|-----------------------|
|                     | NO. | NO.       | DESCRIPTION           |
|                     | 1   | 302870303 | Accessory set         |
| <b>PREFISSO "J"</b> | 2   | 647803004 | Small screw driver    |
|                     | 3   | 102261000 | Bobbin                |
|                     | 4   | 647808009 | Seam ripper           |
|                     | 5   | 639804000 | Needle set            |
|                     | 6   | 611411000 | Blind foot            |
|                     | 7   | 611413002 | Slide buttonhole foot |
|                     | 8   | 611406002 | Zipper foot           |
|                     | 9   | 042970402 | Foot control          |
|                     | 10  | 306800485 | Instruction book      |
|                     | 11  | 741811000 | Cover                 |

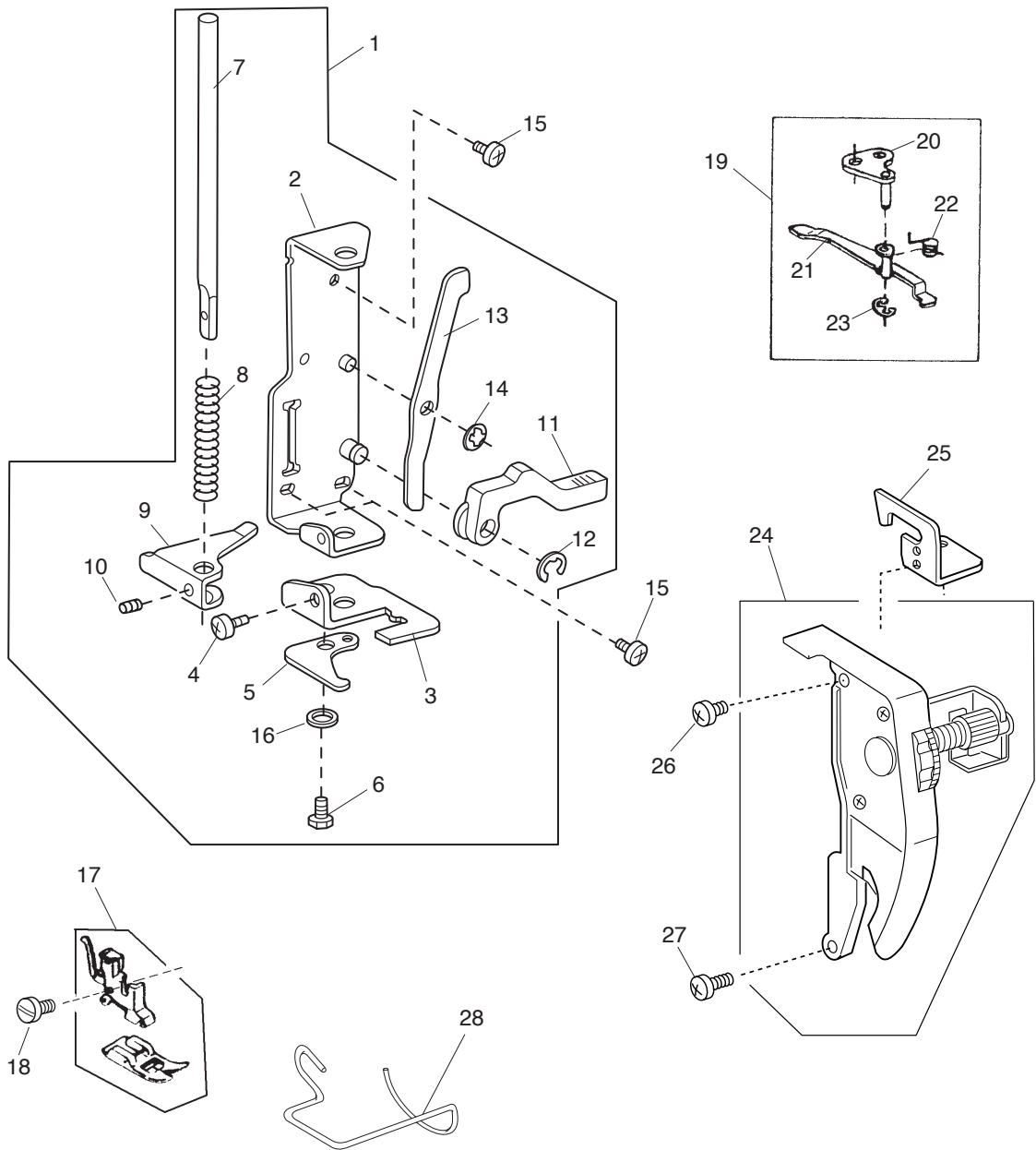
# PARTS LIST



# PARTS LIST

| KEY NO.             | PARTS NO.                      | DESCRIPTION                         |
|---------------------|--------------------------------|-------------------------------------|
|                     | 1                              | 306601048 Rear cover (unit)         |
|                     | 2                              | 306001009 Rear cover                |
| <b>PREFISSO "J"</b> | 3                              | 739064003 Bed rubber base           |
|                     | 4                              | 652205109 Spool pin                 |
|                     | 5                              | 736007009 Spool pin spring          |
|                     | 6                              | 000076317 Setscrew 3x10             |
|                     | 7                              | 735013005 Spool pin spring base     |
|                     | 8                              | 730006000 Spring                    |
|                     | 9                              | 000101404 Setscrew 4x6              |
|                     | 10                             | 000061205 Nut                       |
| <b>PREFISSO "J"</b> | 11                             | 739004005 Bed cover plate           |
|                     | 12                             | 000115205 Setscrew 4x6              |
|                     | 13                             | 000081005 Setscrew 4x8              |
|                     | 14                             | 000121905 Setscrew 4x12B            |
|                     | 15                             | 000198604 Setscrew 4x14B            |
|                     | 16                             | 653006101 Cap                       |
|                     | 17                             | 306604421 Front cover (unit)        |
|                     | 18                             | 306109454 Front cover               |
| <b>PREFISSO "J"</b> | 19                             | 730501011 Thread guide plate (unit) |
|                     | 20                             | 000160102 Adjustable lock nut 4     |
|                     | 21                             | 735016307 Bobbin winder stopper     |
|                     | 22                             | 000071013 Washer                    |
|                     | 23                             | 000103107 Setscrew 4x14             |
|                     | 24                             | 843014004 Nut                       |
|                     | 25                             | 000061319 Nut                       |
|                     | 26                             | 000101703 Setscrew 4x12             |
|                     | 27                             | 745031000 Thread guide plate        |
| 28                  | 000107307 Setscrew 3x8B        |                                     |
| 29                  | 306102000 Extension table      |                                     |
| 30                  | 306602072 Face cover (unit)    |                                     |
| 31                  | 306103056 Face cover           |                                     |
| 32                  | 840602006 Thread cutter (unit) |                                     |
| 33                  | 724025006 Reflex sticker       |                                     |
| 34                  | 000080901 Setscrew 4x25        |                                     |
| 35                  | 735616200 Rubber base (unit)   |                                     |
| 36                  | 735002001 Rubber base          |                                     |
| 37                  | 000097901 Setscrew M5x18       |                                     |

# PARTS LIST



# PARTS LIST

| KEY NO.             | PARTS NO.           | DESCRIPTION                   |
|---------------------|---------------------|-------------------------------|
|                     | 1 305604004         | Presser bar base plate (unit) |
|                     | 2 735221008         | Presser bar base plate        |
| <b>PREFISSO "J"</b> | 3 735222009         | Needle drop adjusting plate   |
|                     | 4 000101404         | Setscrew 4x6                  |
|                     | 5 735025000         | Needle bar supporter stopper  |
|                     | 6 000138307         | Bolt 4x8                      |
|                     | 7 735026001         | Presser bar                   |
|                     | 8 735027002         | Presser bar spring            |
|                     | 9 735028003         | Presser bar bracket           |
|                     | 10 000111500        | Hexagonal socket screw 4x8    |
|                     | 11 735029004        | Presser foot lifter           |
|                     | <b>PREFISSO "J"</b> | 12 000001609                  |
| 13 735030008        |                     | Tension release lever         |
| 14 000013903        |                     | Snap ring CS-5                |
| 15 000081005        |                     | Setscrew 4x8                  |
| 16 000070506        |                     | Washer                        |
| 17 301612003        |                     | Presser foot (unit)           |
| 18 660106001        |                     | Thumb screw                   |
| 19 304610000        |                     | Tension release arm (unit)    |
| 20 739017001        |                     | Tension release arm base      |
| <b>PREFISSO "J"</b> |                     | 21 304045008                  |
|                     | 22 739019003        | Tension release spring        |
|                     | 23 000002105        | Snap ring E-3                 |
|                     | 24 306501106        | Tension assembly              |
|                     | 25 739016000        | Top cover thread guide        |
|                     | 26 000103808        | Setscrew 3x5                  |
|                     | 27 000101703        | Setscrew 4x12                 |
|                     | 28 687803008        | Finger guard                  |

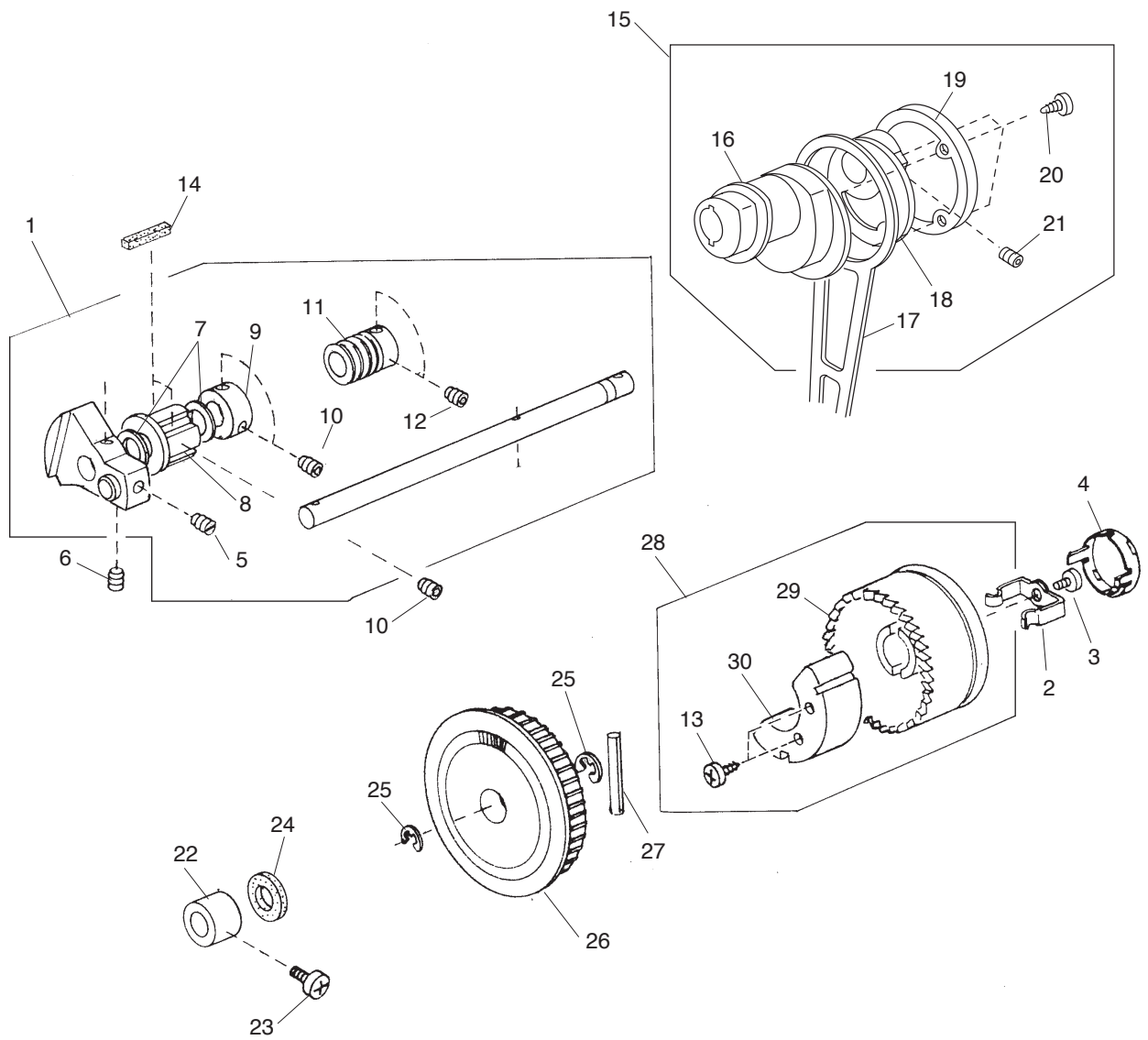




# PARTS LIST

| KEY NO.             | PARTS NO.                          | DESCRIPTION                                 |
|---------------------|------------------------------------|---|
|                     | 1                                  | 740007105 Face cover set plate              |
|                     | 2                                  | 000081005 Setscrew 4x8                      |
| <b>PREFISSO "J"</b> | 3                                  | 730024004 Needle bar supporter spring       |
|                     | 4                                  | 000101404 Setscrew 4x6                      |
|                     | 5                                  | 743634003 Lamp socket (unit)                |
|                     | 6                                  | 000009009 Lamp 240V 15W                     |
|                     | 7                                  | 000053008 Cord tie band                     |
|                     | 8                                  | 301610001 Needle bar supporter (unit)       |
|                     | 9                                  | 301032003 Needle bar supporter              |
| 10                  | 730022002 Needle bar supporter pin |   |
| 11                  | 673022002 Wave washer              |   |
| <b>PREFISSO "J"</b> | 12                                 | 000070609 Plain washer                      |
|                     | 13                                 | 000002507 Snap ring E-4                     |
|                     | 14                                 | 000111304 Hexagonal socket screw 5x5        |
|                     | 15                                 | 655681009 Lamp socket (unit)                |
|                     | 16                                 | 748026001 Lamp socket set plate             |
|                     | 17                                 | 000101404 Setscrew 4x6                      |
|                     | 18                                 | 000111902 Hexagonal socket screw 3x4        |
| 19                  | 730503116 Needle bar (unit)        |   |
| 20                  | 735119002 Zigzag rod               |   |
| <b>PREFISSO "J"</b> | 21                                 | 639516002 Needle bar connecting stud (unit) |
|                     | 22                                 | 102408089 Needle HA1-14                     |
|                     | 23                                 | 731511006 Thread take-up lever pin (unit)   |
|                     | 24                                 | 000002806 Snap ring E-3                     |
|                     | 25                                 | 000111304 Hexagonal socket screw 5x5        |
|                     | 26                                 | 735504008 Needle bar crank pin (unit)       |
|                     | 27                                 | 625506109 Thread take-up lever (unit)       |
|                     | 28                                 | 678084007 Eccentric pin                     |
|                     | 29                                 | 748021006 Zigzag rod plain washer           |
|                     | 30                                 | 743200006 Needle bar crank rod              |

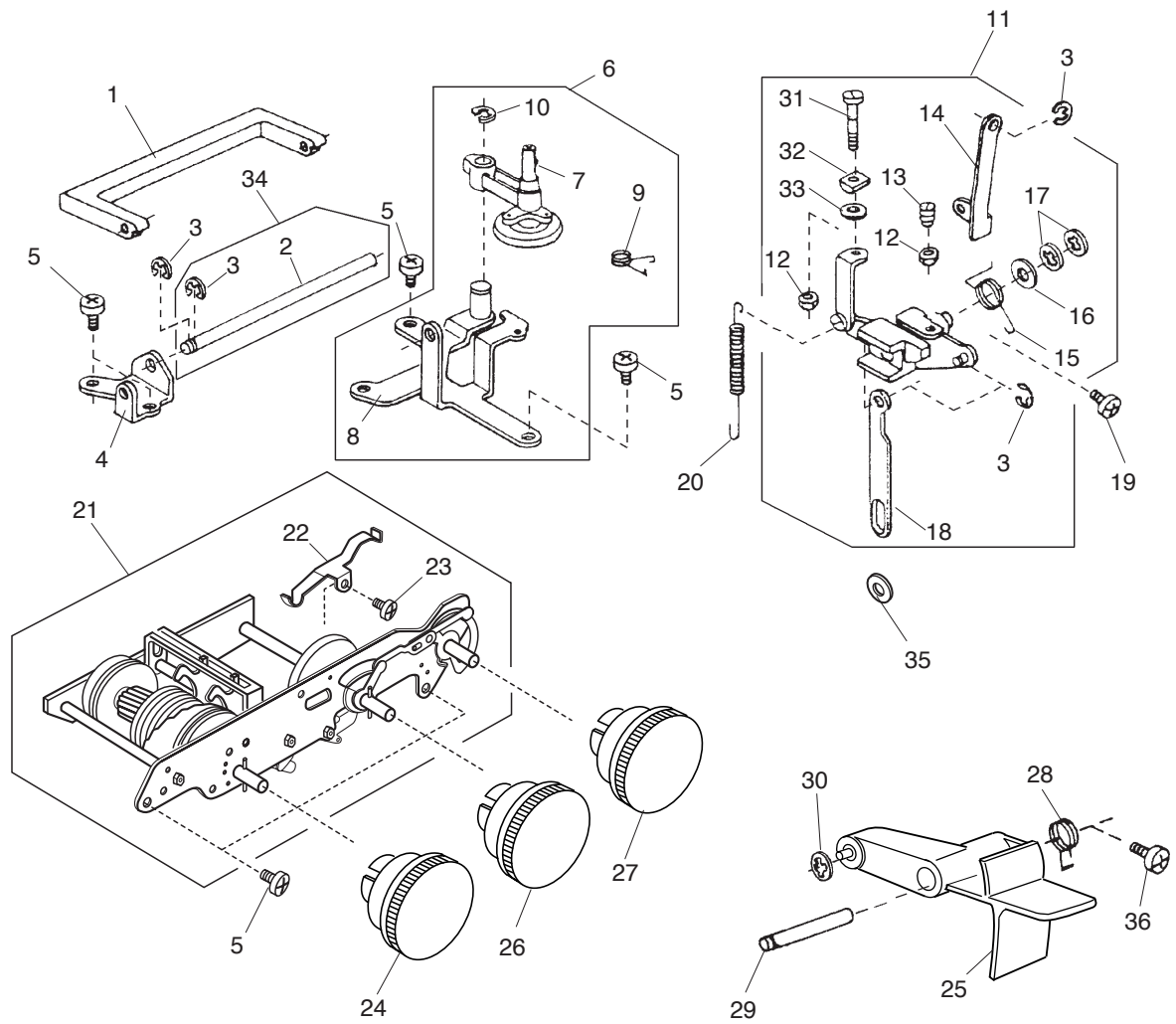
# PARTS LIST



# PARTS LIST

| KEY NO.             | PARTS NO.    | DESCRIPTION                |
|---------------------|--------------|----------------------------|
|                     | 1 304607004  | Upper shaft (unit)         |
|                     | 2 639113016  | Clutch spring              |
| <b>PREFISSO "J"</b> | 3 000081005  | Setscrew 4x8               |
|                     | 4 650070509  | Clutch cap                 |
|                     | 5 102073003  | Setscrew                   |
|                     | 6 761052007  | Setscrew                   |
|                     | 7 000036717  | Thrust washer              |
|                     | 8 732025001  | Upper shaft front bushing  |
|                     | 9 639095000  | Ring                       |
|                     | 10 000111304 | Hexagonal socket screw 5x5 |
|                     | 11 749011109 | Worm                       |
| <b>PREFISSO "J"</b> | 12 000111201 | Hexagonal socket screw 4x4 |
|                     | 13 000121400 | Setscrew 3x14B             |
|                     | 14 731312005 | Felt                       |
|                     | 15 304609006 | Crank rod (unit)           |
|                     | 16 304042005 | Feed cam                   |
|                     | 17 743011008 | Crank rod                  |
|                     | 18 304044007 | Crank cam                  |
|                     | 19 304043006 | Crank cam plate            |
|                     | 20 000161309 | Setscrew 3x12B             |
| <b>PREFISSO "J"</b> | 21 000110107 | Hexagonal socket screw 5x5 |
|                     | 22 732003003 | Upper shaft rear bushing   |
|                     | 23 000172602 | Setscrew 5x8               |
|                     | 24 743029009 | Felt                       |
|                     | 25 000030205 | Snap ring E-8              |
|                     | 26 743019006 | Belt wheel                 |
|                     | 27 000023803 | Spring pin                 |
|                     | 28 306605101 | Handwheel (unit)           |
|                     | 29 306105014 | Handwheel                  |
|                     | 30 743030003 | Balance weight             |

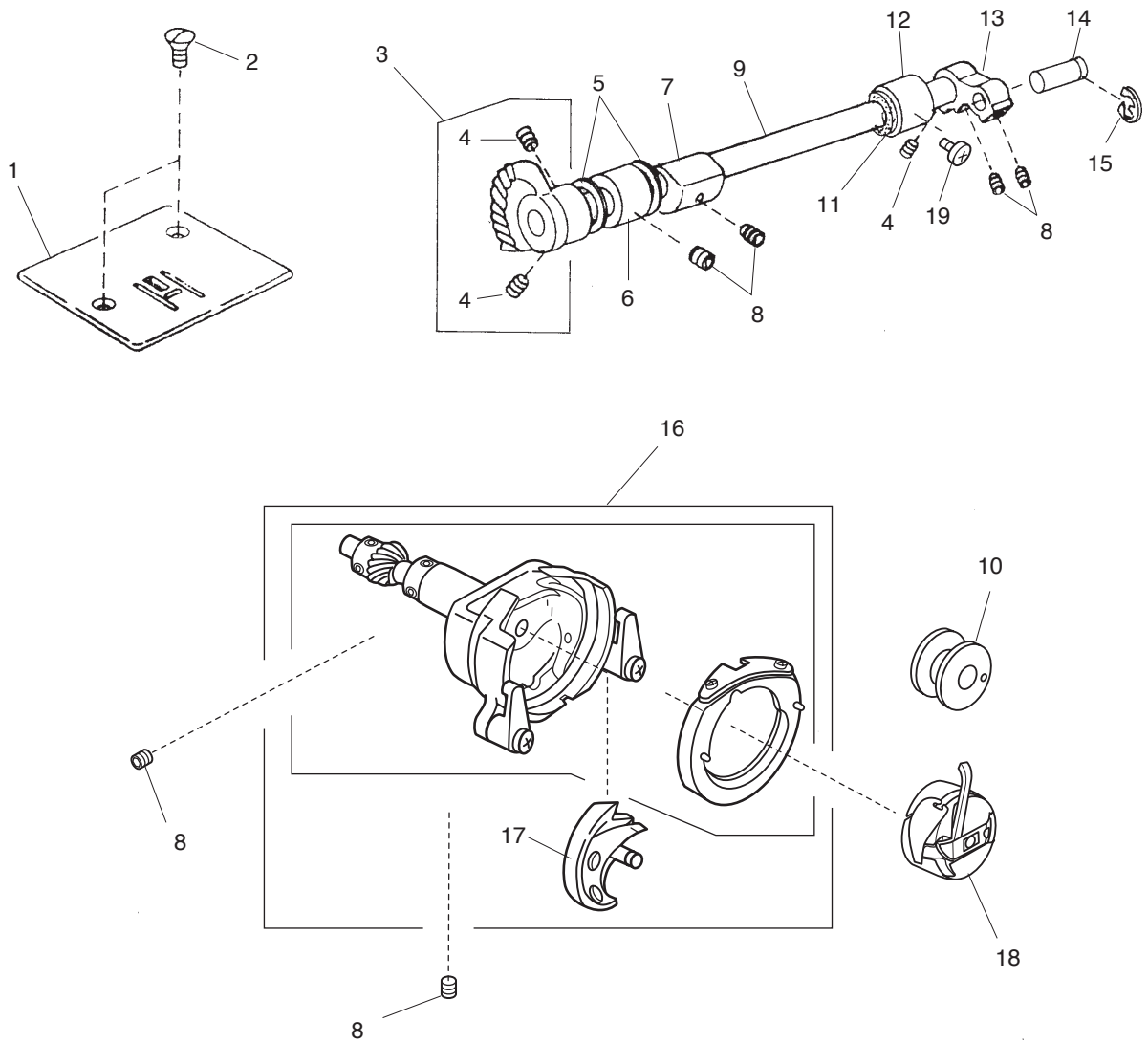
# PARTS LIST



# PARTS LIST

| KEY NO.             | PARTS NO.    | DESCRIPTION                     |
|---------------------|--------------|---------------------------------|
|                     | 1 735017308  | Handle                          |
|                     | 2 740011009  | Handle shaft                    |
|                     | 3 000002105  | Snap ring E-3                   |
|                     | 4 740010008  | Handle supporter                |
| <b>PREFISSO "J"</b> | 5 000081005  | Setscrew 4x8                    |
|                     | 6 740602209  | Bobbin winder base plate (unit) |
|                     | 7 735501005  | Bobbin winder arm (unit)        |
|                     | 8 740003101  | Bobbin winder base plate        |
|                     | 9 740042009  | Bobbin winder arm spring        |
|                     | 10 000002806 | Snap ring E-6                   |
|                     | 11 736604105 | Feed regulator (unit)           |
|                     | 12 000160102 | Adjustable lock nut 4           |
|                     | 13 648010009 | Setscrew                        |
|                     | 14 739020007 | Feed regulating rod             |
| <b>PREFISSO "J"</b> | 15 735077007 | Feed regulating body spring     |
|                     | 16 735073003 | Plain washer                    |
|                     | 17 000013800 | Snap ring CS-6                  |
|                     | 18 745052007 | Reverse link                    |
|                     | 19 000172602 | Setscrew 5x8                    |
|                     | 20 670100006 | Feed regulator spring           |
|                     | 21 305610106 | Zigzag mechanism (unit)         |
|                     | 22 737011009 | Index spring                    |
|                     | 23 000103808 | Setscrew 3x5                    |
|                     | 24 306108556 | Selector dial (pattern)         |
| <b>PREFISSO "J"</b> | 25 306106004 | R button                        |
|                     | 26 306107326 | Selector dial (stitch length)   |
|                     | 27 306108567 | Selector dial (width)           |
|                     | 28 739063002 | R button spring                 |
|                     | 29 736015000 | R button shaft                  |
|                     | 30 000014007 | Snap ring CS-4                  |
|                     | 31 735074004 | SS adjusting screw              |
|                     | 32 735076006 | SS rod block                    |
|                     | 33 000071013 | Washer 4                        |
|                     | 34 740624001 | Handle shaft (unit)             |
|                     | 35 000070609 | Washer 6                        |
|                     | 36 000101301 | Setscrew 5x10                   |

# PARTS LIST



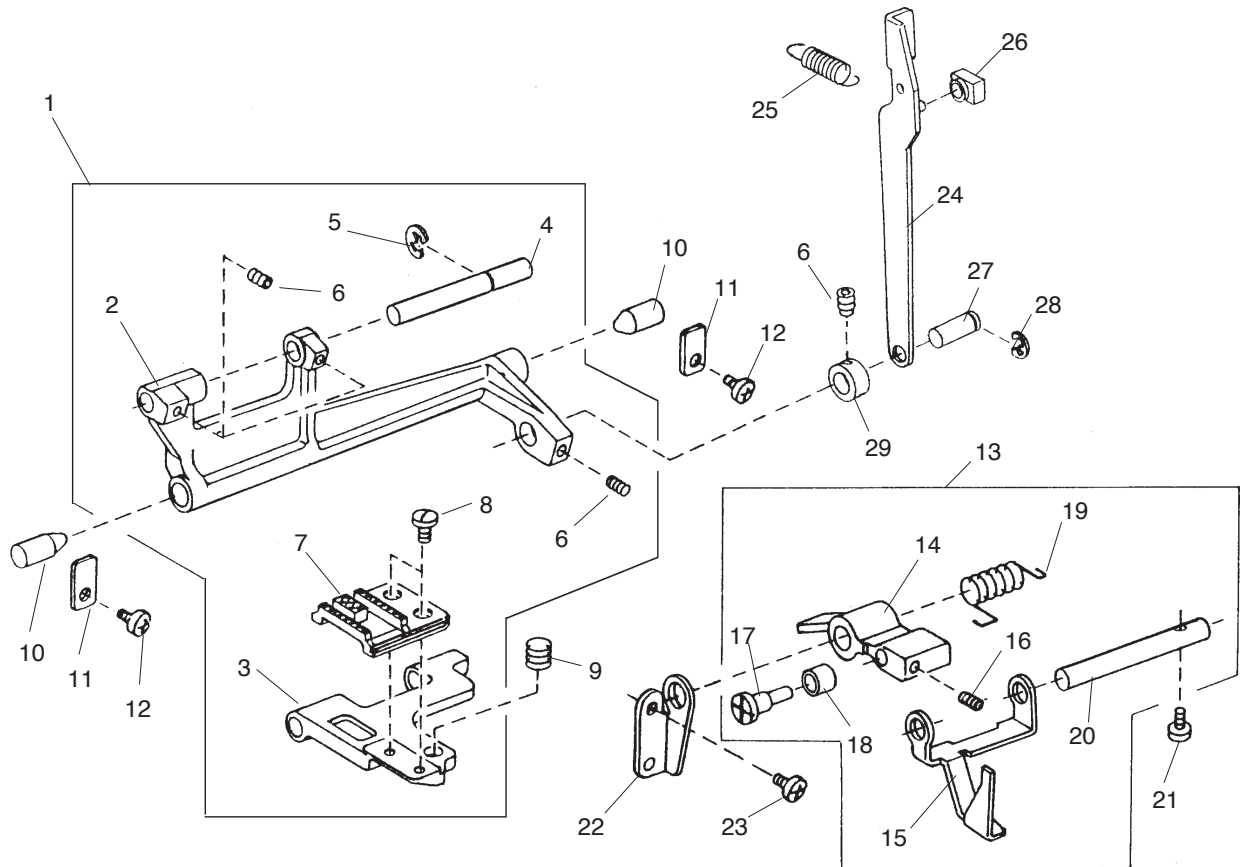
# PARTS LIST

| KEY | PARTS |           |                              |
|-----|-------|-----------|------------------------------|
| NO. | NO.   |           | DESCRIPTION                  |
|     | 1     | 744004001 | Needle plate                 |
|     | 2     | 681009101 | Setscrew                     |
|     | 3     | 735950003 | Lower shaft gear (unit)      |
|     | 4     | 000110107 | Hexagonal socket screw 5x5WP |
|     | 5     | 000036201 | Washer 8-0.5                 |
|     | 6     | 735233003 | Bushing                      |
|     | 7     | 735061008 | Feed lifting cam             |
|     | 8     | 000111304 | Hexagonal socket screw 5x5   |
|     | 9     | 735236006 | Lower shaft                  |
|     | 10    | 102261000 | Bobbin                       |
|     | 11    | 822070003 | Felt                         |
|     | 12    | 735234004 | Bushing                      |
|     | 13    | 639036003 | Lower shaft crank arm        |
|     | 14    | 639037004 | Pin                          |
|     | 15    | 000001609 | Snap ring E-5                |
|     | 16    | 735610101 | Shuttle race body (unit)     |
|     | 17    | 532096007 | Shuttle hook                 |
|     | 18    | 647515006 | Bobbin case (unit)           |
|     | 19    | 000172602 | Setscrew 5x8                 |

**PREFISSO "J"**

**PREFISSO "J"**

# PARTS LIST

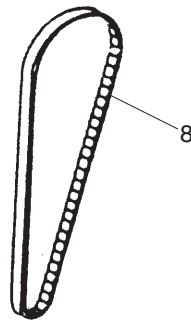
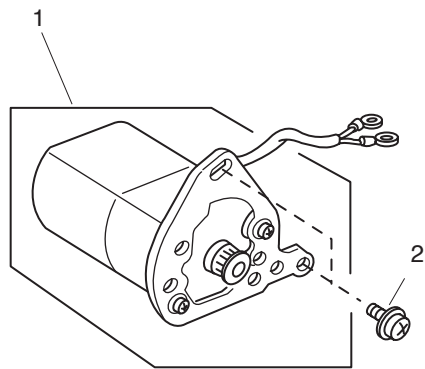
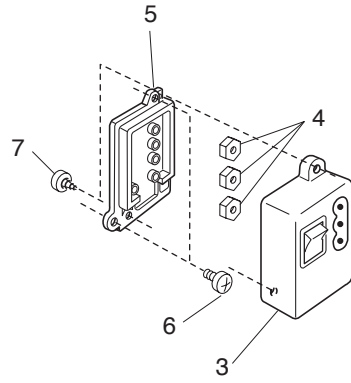




# PARTS LIST

| KEY                 | PARTS |           |                                |
|---------------------|-------|-----------|--------------------------------|
| NO.                 | NO.   |           | DESCRIPTION                    |
|                     | 1     | 735612000 | Feed rock shaft (unit)         |
| <b>PREFISSO "J"</b> | 2     | 735078008 | Feed rock shaft                |
|                     | 3     | 735079009 | Feed bar                       |
|                     | 4     | 735080003 | Feed bar shaft                 |
|                     | 5     | 000002507 | Snap ring E-4                  |
|                     | 6     | 000111201 | Hexagonal socket screw 4x4     |
|                     | 7     | 735081004 | Feed dog                       |
|                     | 8     | 735082005 | Setscrew                       |
|                     | 9     | 735083006 | Feed bar spring                |
|                     | 10    | 735084007 | Feed rock shaft center         |
|                     | 11    | 735085008 | Feed rock shaft center plate   |
| <b>PREFISSO "J"</b> | 12    | 000101404 | Setscrew 4x6                   |
|                     | 13    | 301609007 | Feed lifting arm (unit)        |
|                     | 14    | 301027005 | Feed lifting arm               |
|                     | 15    | 740013001 | Drop feed selecting plate      |
|                     | 16    | 000111201 | Hexagonal socket screw 4x4     |
|                     | 17    | 735087000 | Feed lifting pin               |
|                     | 18    | 735088001 | Feed lifting roller            |
|                     | 19    | 730061003 | Feed lifting spring            |
| <b>PREFISSO "J"</b> | 20    | 735090006 | Feed lifting shaft             |
|                     | 21    | 000097200 | Setscrew 4x12                  |
|                     | 22    | 739022009 | Feed lifting shaft holder      |
|                     | 23    | 000081119 | Setscrew 4x6                   |
|                     | 24    | 743012009 | Feed rod                       |
|                     | 25    | 743013000 | Feed rod spring                |
|                     | 26    | 102141003 | Feed regulator slide block     |
|                     | 27    | 735071104 | Feed rock shaft connecting pin |
|                     | 28    | 000002806 | Snap ring E-6                  |
|                     | 29    | 735276008 | Ring                           |

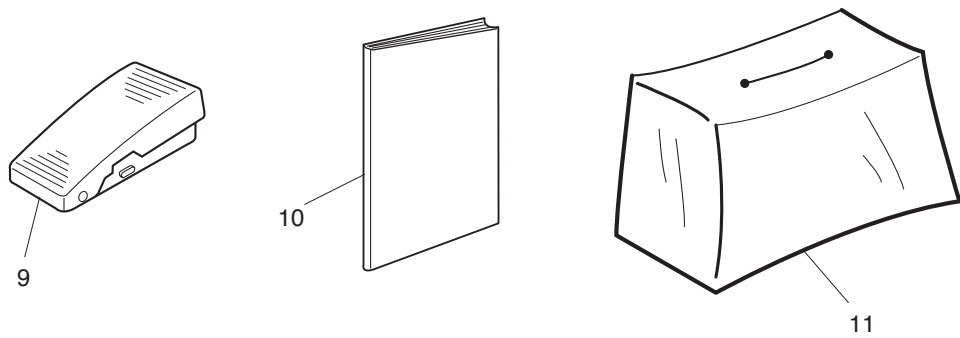
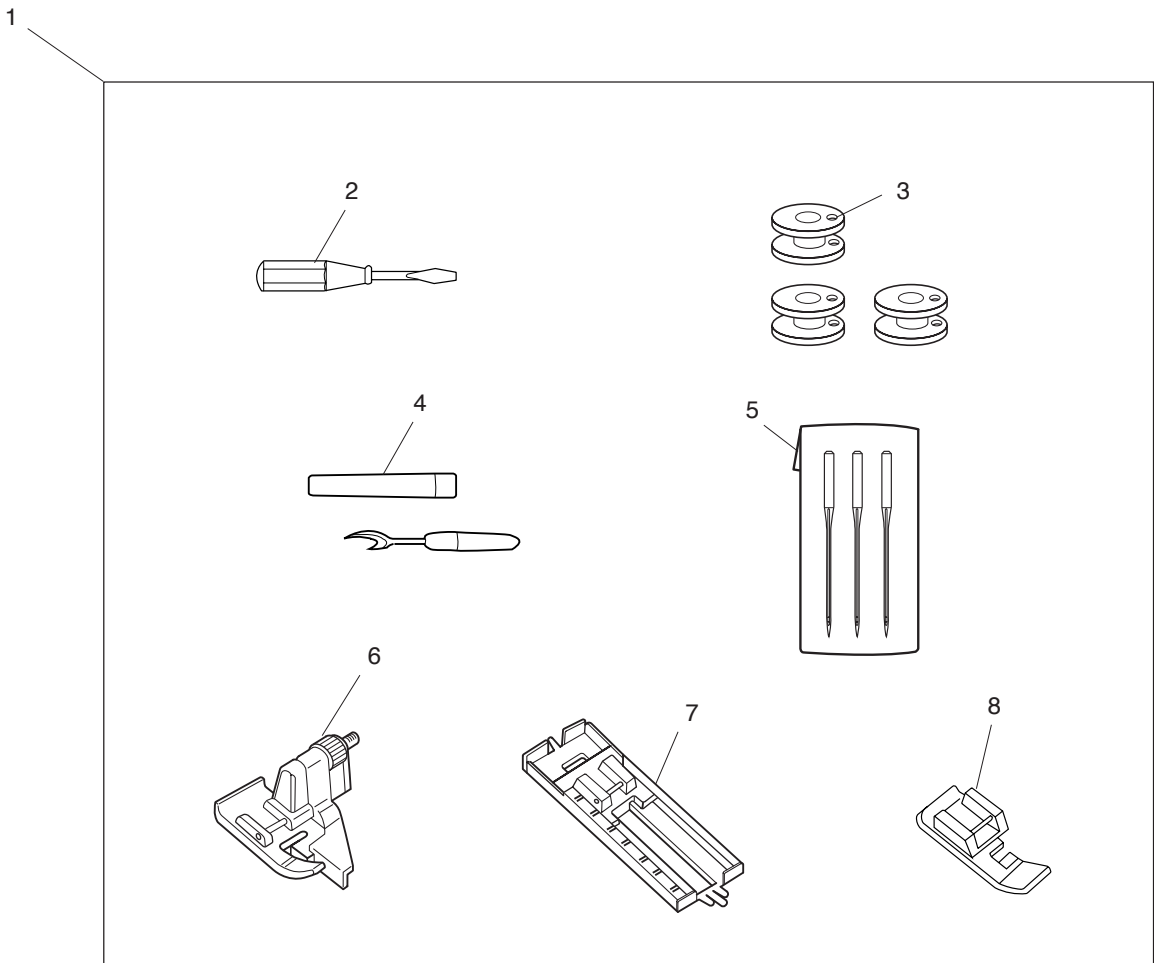
# PARTS LIST



# PARTS LIST

|                     | KEY | PARTS     |                       |
|---------------------|-----|-----------|-----------------------|
|                     | NO. | NO.       | DESCRIPTION           |
| <b>PREFISSO "J"</b> | 1   | 743611303 | Motor (unit)          |
|                     | 2   | 000201209 | Setscrew 5x12         |
|                     | 3   | 739503308 | Machine socket (unit) |
|                     | 4   | 000060802 | Nut                   |
|                     | 5   | 739037007 | Machine socket cover  |
|                     | 6   | 000103509 | Setscrew 4x10         |
|                     | 7   | 000107802 | Setscrew 3x10         |
|                     | 8   | 650166008 | Motor timing belt     |

# PARTS LIST



# PARTS LIST

|  | KEY | PARTS     |                       |
|--|-----|-----------|-----------------------|
|  | NO. | NO.       | DESCRIPTION           |
|  | 1   | 302870303 | Accessory set         |
|  | 2   | 647803004 | Small screw driver    |
|  | 3   | 102261000 | Bobbin                |
|  | 4   | 647808009 | Seam ripper           |
|  | 5   | 639804000 | Needle set            |
|  | 6   | 611411000 | Blind foot            |
|  | 7   | 611413002 | Slide buttonhole foot |
|  | 8   | 611406002 | Zipper foot           |
|  | 9   | 042970402 | Foot control          |
|  | 10  | 306800485 | Instruction book      |
|  | 11  | 741811000 | Cover                 |

**PREFISSO "J"**