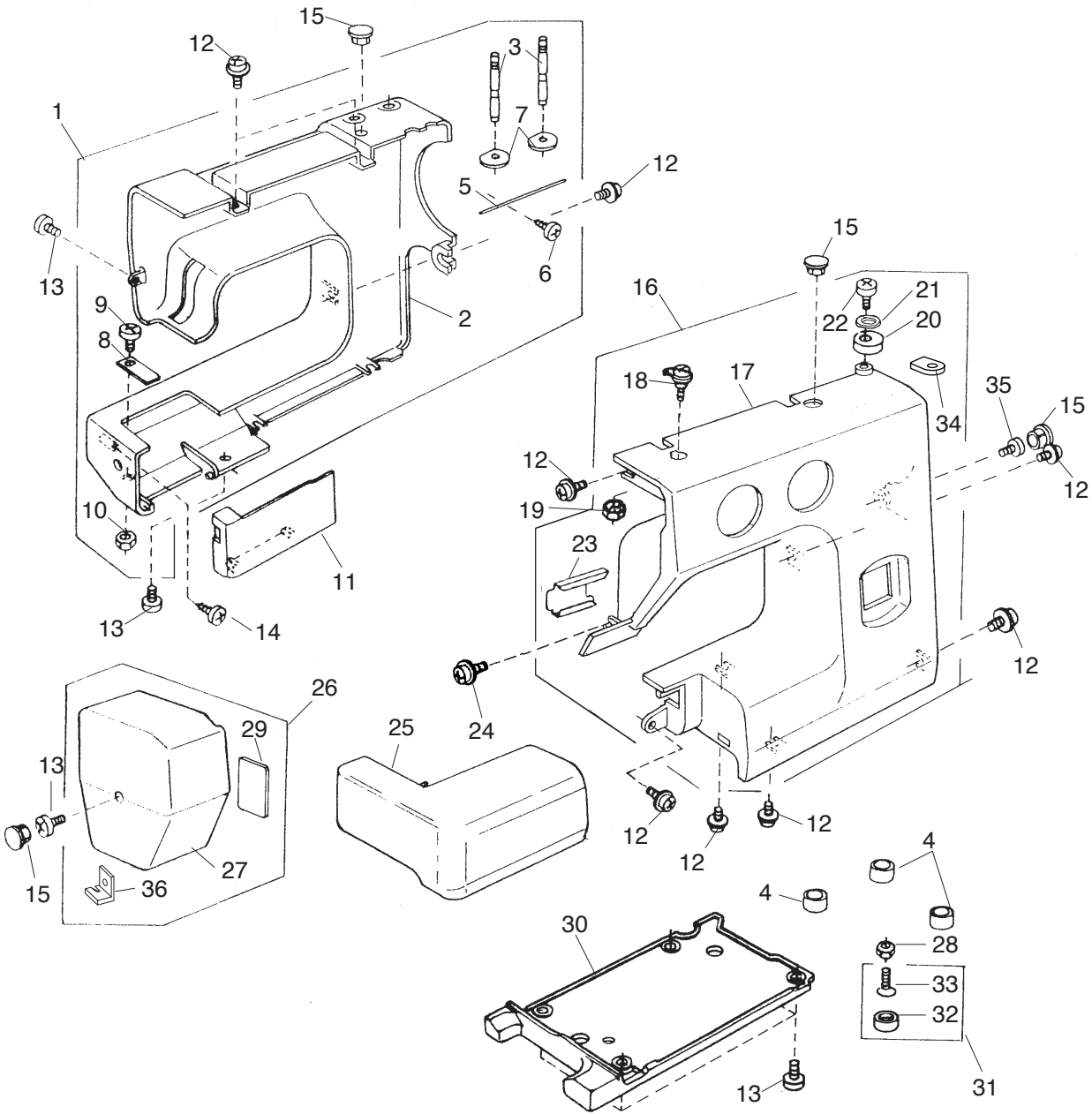


PARTS LIST

MODEL : 280, 281

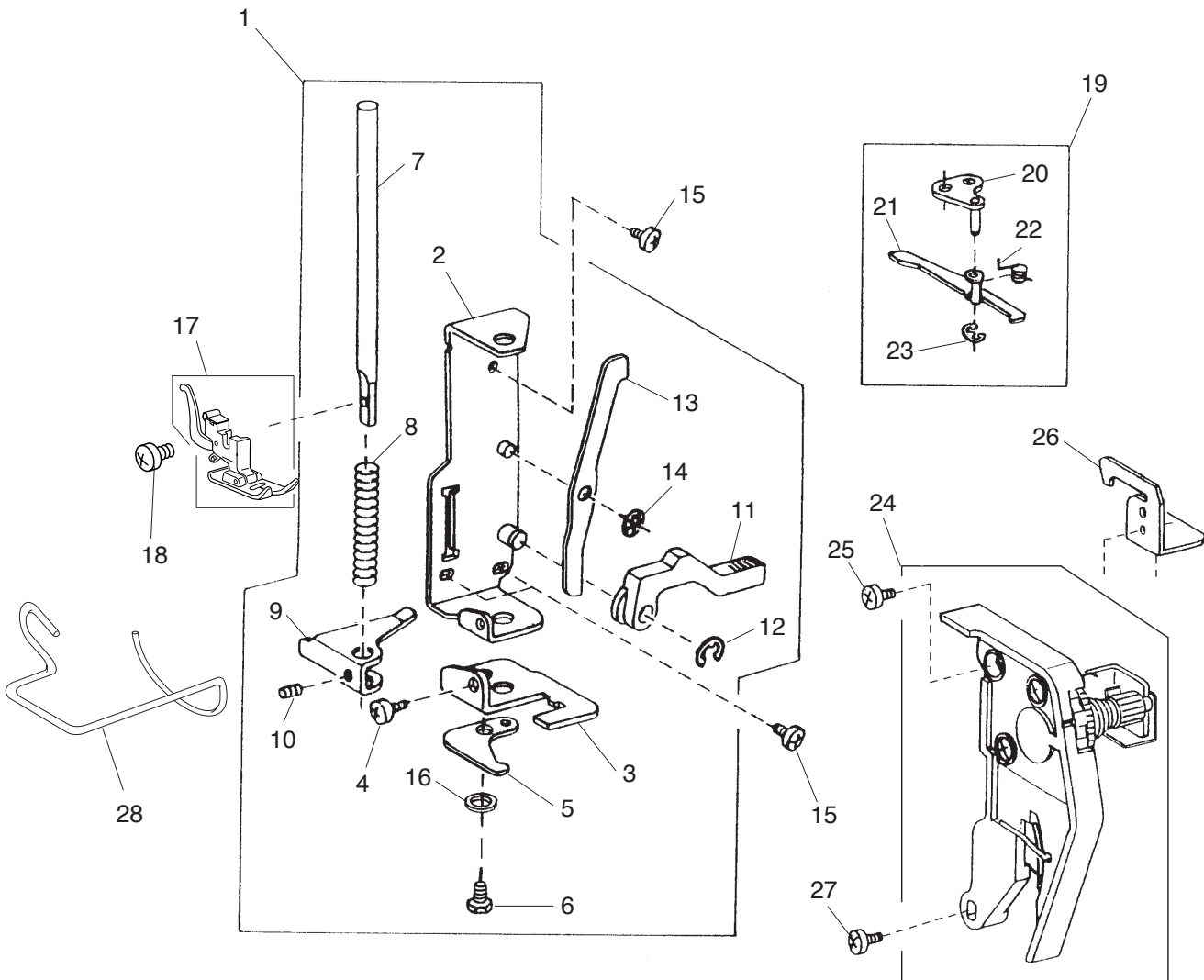
PARTS LIST



PARTS LIST

KEY NO.	PARTS NO.	DESCRIPTION
1	743617033	Rear cover (unit)
2	743003188	Rear cover
3	PREFISSO "J" 652205109	Spool pins
4	739064003	Bed rubber base
5	736007009	Spool pin spring
6	000076317	Tapping screw 3x10
7	PREFISSO "J" 735013005	Spool pin spring base
8	730006000	Spring
9	PREFISSO "J" 000101404	Setscrew 4x6
10	000061205	Nut
11	739004005	Bed cover
12	000115205	TP screw 4x6
13	PREFISSO "J" 000081005	Setscrew 4x8
14	000121905	Tapping screw 4x12 B
15	653006101	Cap
16	PREFISSO "J" 743621096	Front cover (unit) (Model 280)
	743621111	Front cover (unit) (Model 281)
17	PREFISSO "J" 743056511	Front cover (Model 280)
	743056522	Front cover (Model 281)
18	730501011	Thread guide plate (unit)
19	PREFISSO "J" 000160102	Adjustable locl nut 4
20	735016307	Bobbin winder stopper
21	PREFISSO "J" 000071013	Washer
22	000103107	Setscrew 4x14
23	PREFISSO "J" 735123009	Thread guard plate
24	000115607	TP screw 4x8
25	PREFISSO "J" 743004008	Extension table
26	PREFISSO "J" 743636027	Face cover (unit) (Model 280)
	743636038	Face cover (unit) (Model 281)
27	PREFISSO "J" 743198701	Face cover (Model 280)
	743198804	Face cover (Model 281)
28	000061319	Nut
29	PREFISSO "J" 724025006	Reflex sticker
30	739005006	Base plate
31	735616200	Rubber base (unit)
32	735002001	Rubber base
33	000097901	Flat screw 5x18
34	744014004	Nut
35	000103509	Setscrew 4x10
36	840602006	Thread cutter (unit)

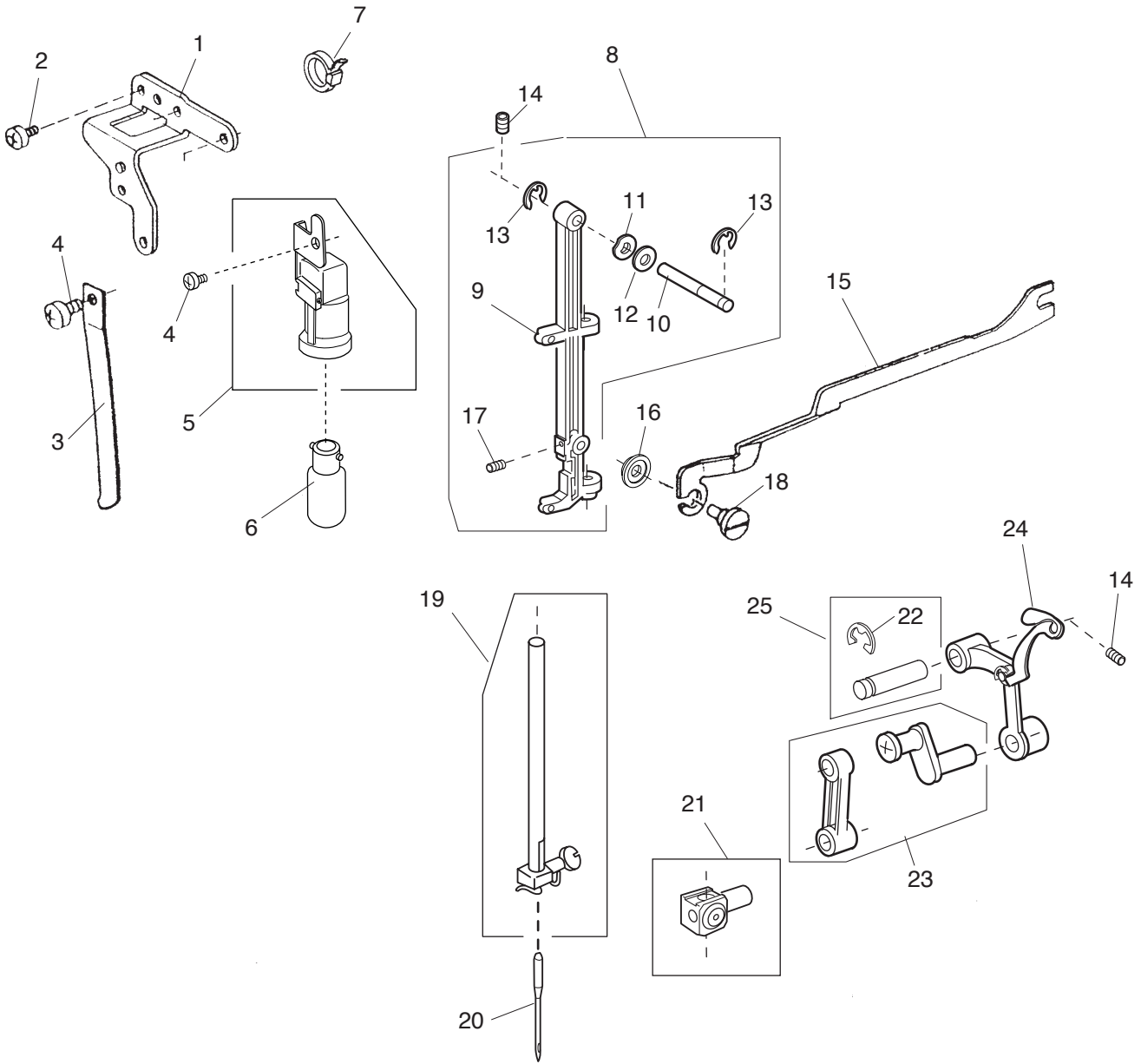
PARTS LIST



PARTS LIST

KEY NO.	PARTS NO.	DESCRIPTION
1	305604004	Presser bar base plate (unit)
2	735221008	Presser bar base plate
3	735222009	Needle drop adjusting plate
4	000101404	Setscrew 4x6
5	735025000	Needle bar supporter stopper
6	000138307	Bolt 4x8
7	735026001	Presser bar
8	735027002	Presser bar spring
9	735028003	Presser bar bracket
10	000111500	Hexagonal socket screw 4x8
11	735029004	Presser foot lifter
12	000001609	Snap ring E-5
13	735030008	Tension release lever
14	000013903	Snap ring CS-5
15	000081005	Setscrew 4x8
16	000070506	Washer
17	301612003	Presser foot (unit)
18	660106001	Thumb screw
19	739605002	Tension release arm (unit)
20	739017001	Tension release arm base
21	739018002	Tension release arm
22	739019003	Tension release spring
23	000002105	Snap ring E-3
24	743503002	Tension assembly (unit)
25	000103808	Setscrew 3x5
26	739016000	Top cover thread guide
27	000101703	Setscrew 4x12
28	687803008	Finger guard

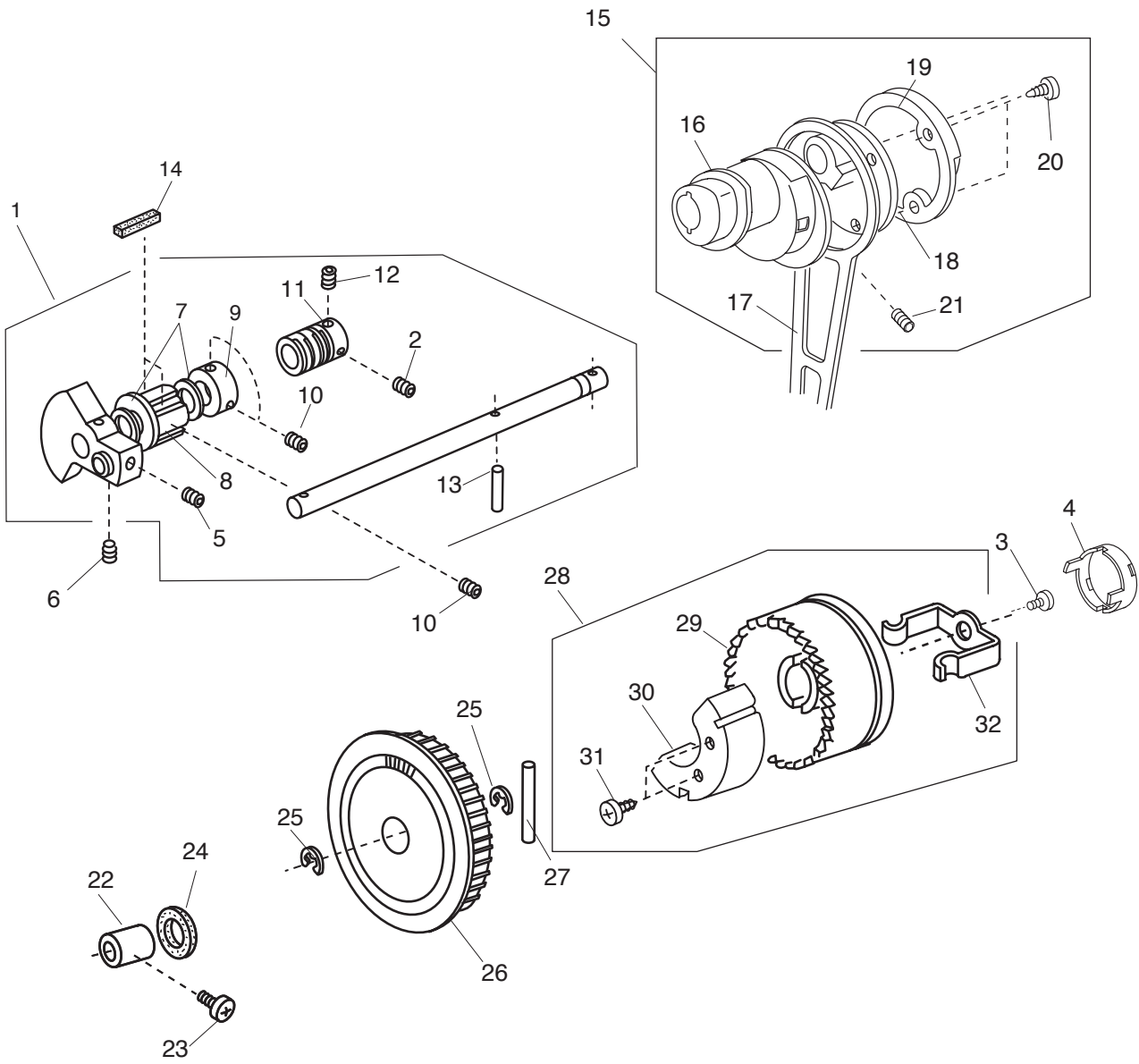
PARTS LIST



PARTS LIST

KEY NO.	PARTS NO.	DESCRIPTION
1	740007013	Face plate set plate
2	000081005	Setscrew 4x8
3	730024004	Needle bar supporter spring
4	000101404	Setscrew 4x6
5	743634003	Lamp socket (unit)
6	000009009	Lamp
7	000053709	Cord tie band
8	301610001	Needle bar supporter (unit)
9	301032003	Needle bar supporter
10	730022002	Needle bar supporter pin
11	673022002	Wave washer
12	000070609	Plain washer
13	000002507	Snap ring E-4
14	000111304	Hexagonal socket screw 5x5
15	735119002	Zigzag rod
16	748021006	Washer
17	000111902	Hexagonal socket screw 3x4
18	678084007	Eccentric pin
19	730503116	Needle bar (unit)
20	102408089	Needle HA 1-14
21	639516002	Needle bar connecting stud (unit)
22	000002806	Snap ring E-6
23	743664105	Needle bar crank pin (unit)
24	625506109	Thread take-up lever (unit)
25	731511006	Thread take-up pin (unit)

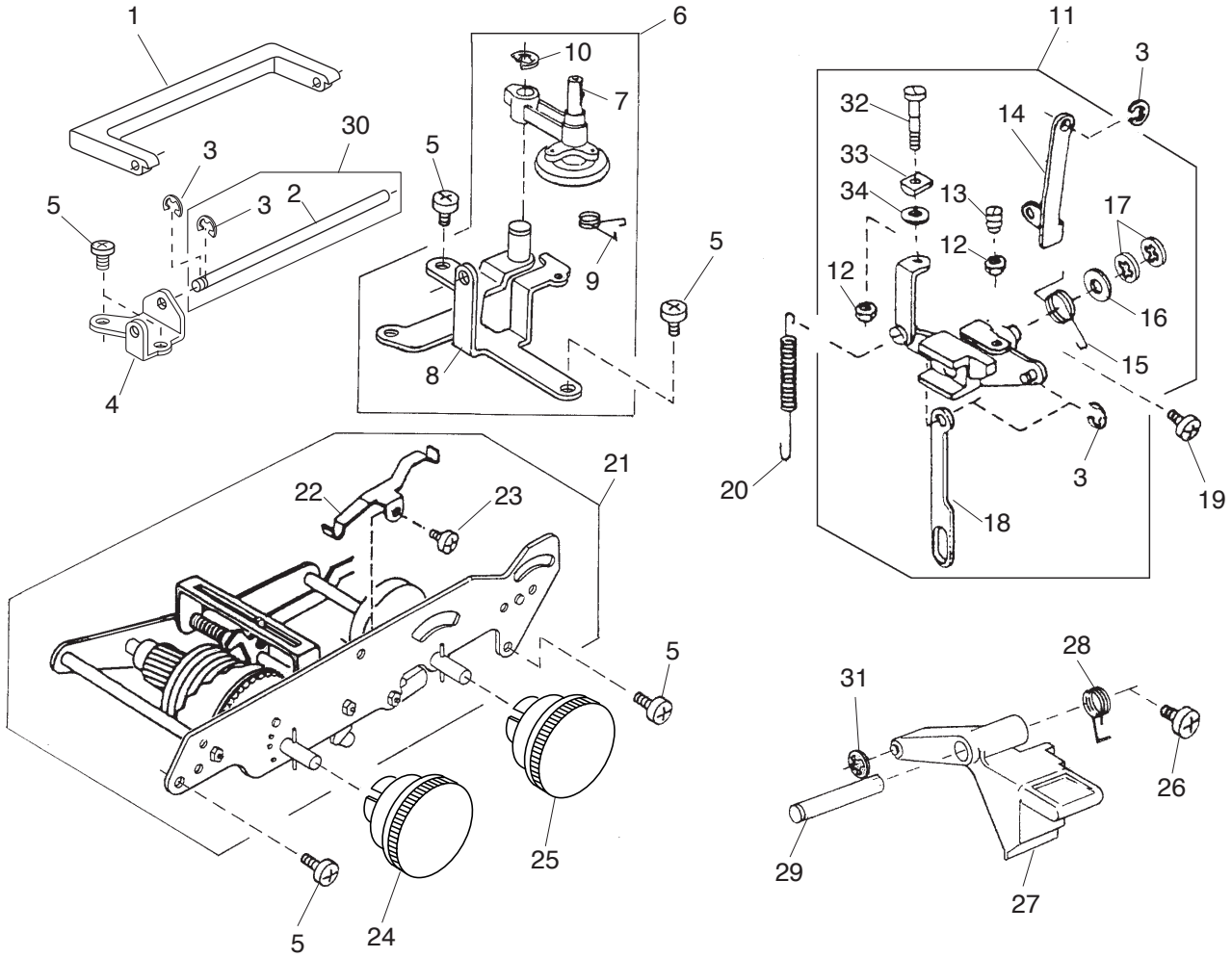
PARTS LIST



PARTS LIST

KEY NO.	PARTS NO.	DESCRIPTION
1	304607200	Upper shaft (unit)
2	PREFISSO "J" 000112501	Hexagonal socket screw 4x4
3	000081005	Setscrew 4x8
4	650070509	Clutch cap
5	102073003	Setscrew
6	761052007	Setscrew
7	PREFISSO "J" 000036717	Thrust washer
8	732025001	Upper shaft front bushing
9	PREFISSO "J" 639095000	Ring
10	000111304	Hexagonal socket screw 5x5
11	751146101	Worm
12	PREFISSO "J" 000111201	Hexagonal socket screw 4x4
13	000022802	Spring pin
14	731312005	Felt
15	PREFISSO "J" 304609006	Crank rod (unit)
16	304042005	Feed cam
17	743011008	Crank rod
18	304044007	Crank cam
19	PREFISSO "J" 304043006	Crank cam plate
20	000161309	Tapping screw 3x12
21	PREFISSO "J" 000110107	Hexagonal socket screw 5x5
22	743002006	Upper shaft rear bushing
23	PREFISSO "J" 000172602	Setscrew 5x8
24	743029009	Felt
25	000030205	Snap ring E-8
26	PREFISSO "J" 743019006	Belt wheel
27	PREFISSO "J" 000023803	Spring pin
28	743630009	Handwheel (unit)
29	639097024	Handwheel
30	743030003	Balance weight
31	PREFISSO "J" 000121400	Tapping screw 3x14 B
32	639113016	Clutch spring

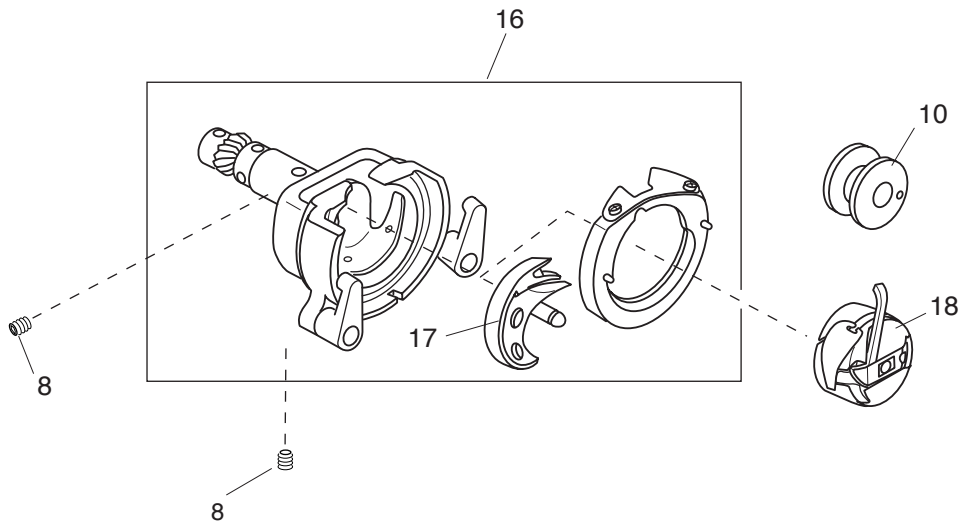
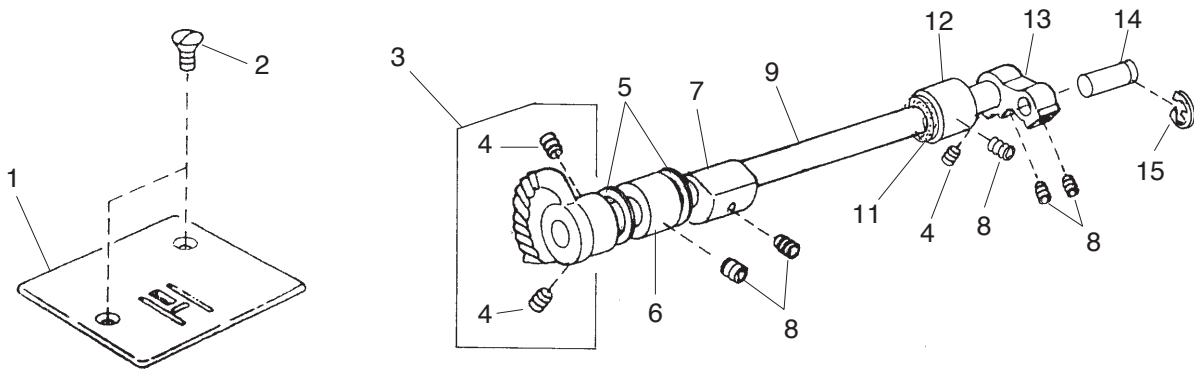
PARTS LIST



PARTS LIST

KEY NO.	PARTS NO.	DESCRIPTION
1	735017308	Handle
2	PREFISSO "J" 740011009	Handle shaft
3	000002105	Snap ring E-3
4	740010008	Handle supporter
5	000081005	Setscrew 4x8
6	PREFISSO "J" 740602209	Bobbin winder base plate (unit)
7	735501005	Bobbin winder arm (unit)
8	PREFISSO "J" 740003101	Bobbin winder base plate
9	740042009	Bobbin winder arm spring
10	000002806	Snap ring E-6
11	736604301	Feed regulator (unit)
12	PREFISSO "J" 000160102	Adjustable lock nut 4
13	648010009	Setscrew
14	PREFISSO "J" 739020007	Feed regulating rod
15	735077007	Feed regulating body spring
16	PREFISSO "J" 735073003	Plain washer
17	000013800	Snap ring CS-6
18	PREFISSO "J" 730045001	Reverse link
19	000172602	Setscrew 5x8
20	PREFISSO "J" 670100006	Feed regulator spring
21	743661009	Zigzag mechanism (unit)
22	PREFISSO "J" 737011009	Index spring
23	000103808	Setscrew 3x5
24	PREFISSO "J" 743189363	Pattern selector dial
25	743189374	Stitch length dial
26	PREFISSO "J" 000101301	Setscrew 5x10
27	742007008	R button
28	PREFISSO "J" 739063002	R button spring
29	736015000	R button shaft
30	PREFISSO "J" 740624001	Handle shaft (unit)
31	000014007	Snap ring CS-4
32	735074004	SS adjusting screw
33	735076006	SS rod block
34	000071013	Washer 4

PARTS LIST

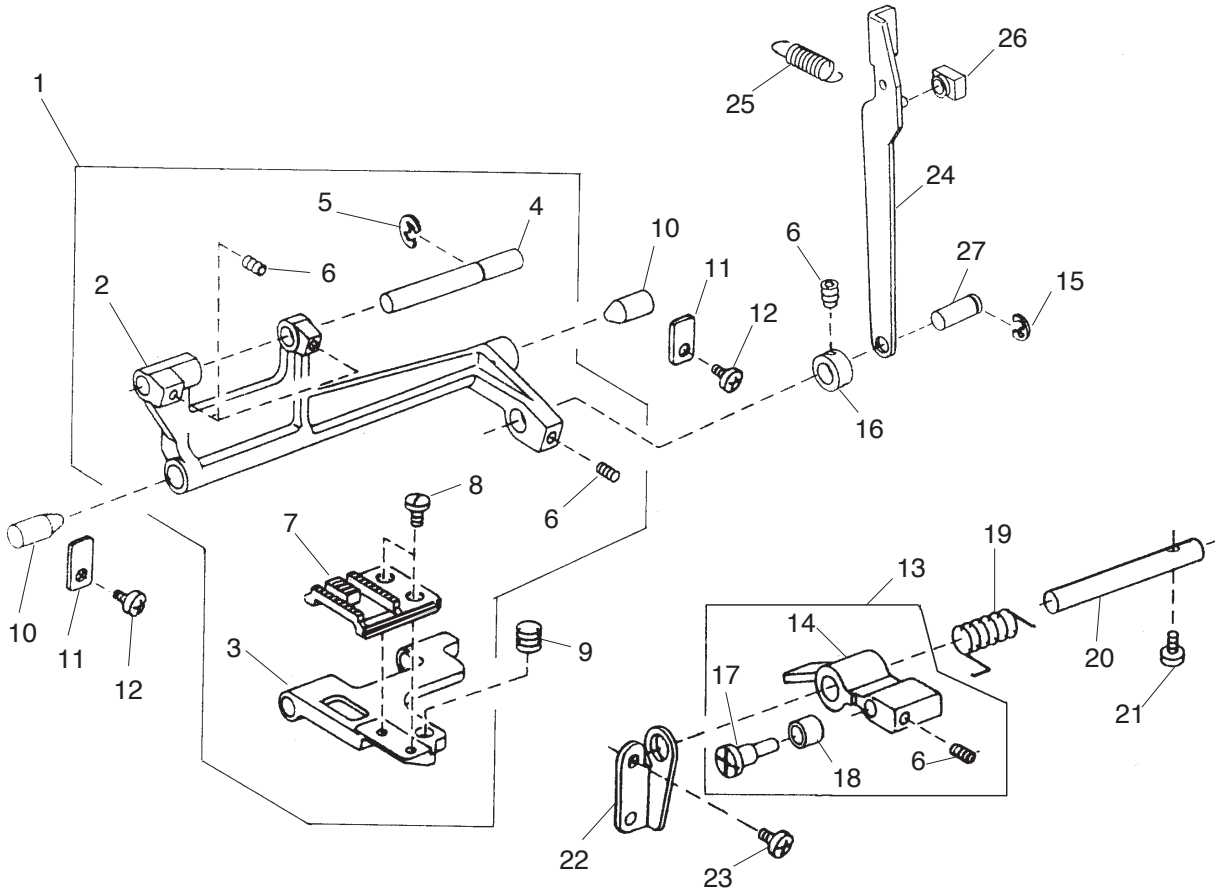


PARTS LIST

KEY NO.	PARTS NO.	DESCRIPTION
1	744004001	Needle plate
2	681009101	Setscrew
3	735950003	Lower shaft gear (unit)
4	000110107	Hexagonal socket screw 5x5 wp
5	000036201	Washer 8-0.5
6	735233003	Bushing
7	735061008	Feed lifting cam
8	000111304	Hexagonal socket screw 5x5
9	735236006	Lower shaft
10	102261000	Bobbin
11	822070003	Felt
12	735234004	Bushing
13	639036003	Lower shaft crank arm
14	639037004	Pin
15	000001609	Snap ring E-5
16	735610101	Shuttle race body (unit)
17	532096007	Shuttle hook
18	647515006	Bobbin case (unit)

PREFISSO "J"
PREFISSO "J"

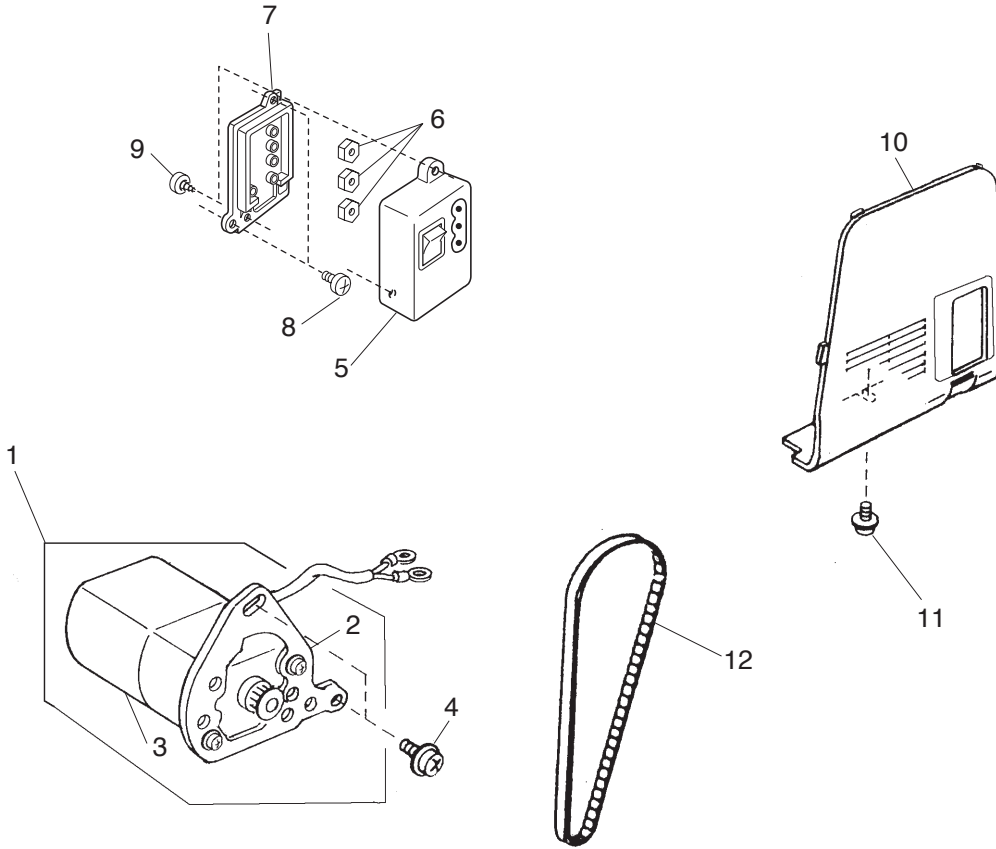
PARTS LIST



PARTS LIST

KEY NO.	PARTS NO.	DESCRIPTION
1	735612000	Feed rock shaft (unit)
2	735078008	Feed rock shaft
3	735079009	Feed bar
4	735080003	Feed bar shaft
5	000002507	Snap ring E-4
6	000111201	Hexagonal socket screw 4x4
7	735081004	Feed dog
8	735082005	Setscrew
9	735083006	Feed bar spring
10	735084007	Feed rock shaft center
11	735085008	Feed rock shaft center plate
12	000101404	Setscrew 4x6
13	301608006	Feed lifting arm (unit)
14	301027005	Feed lifting arm
15	000002806	Snap ring E-6
16	735276008	Ring
17	735087000	Feed lifting pin
18	735088001	Feed lifting roller
19	735089002	Feed lifting spring
20	735090006	Feed lifting shaft
21	000097200	Setscrew 4x12
22	739022009	Feed lifting shaft holder
23	000081119	Setscrew 4x6
24	743012009	Feed rod
25	743013000	Feed rod spring
26	102141003	Feed regulator slide block
27	735071104	Feed rock shaft connecting pin

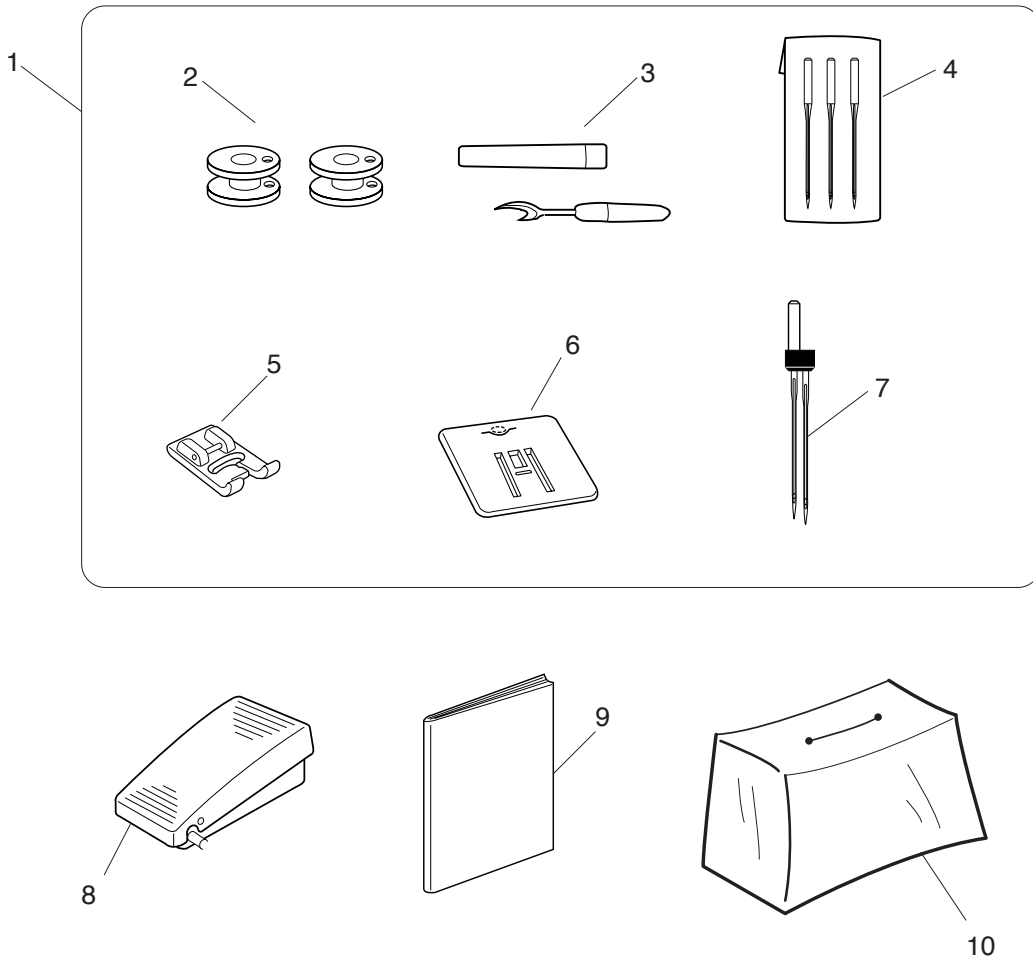
PARTS LIST



PARTS LIST

KEY NO.	PARTS NO.	DESCRIPTION
1	PREFISSO "J" 743611303	Motor assy
2	743025005	Motor set plate
3	024070108	Motor assy
4	000201209	TP screw 5x12
5	739503308	Machine socket (unit)
6	000060802	Nut
7	739037007	Machine socket cover
8	PREFISSO "J" 000103509	Setscrew 4x10
9	000107802	Setscrew 3x10
10	743017004	Belt cover
11	000115205	TP screw 4x6
12	PREFISSO "J" 650166019	Motor timing belt

PARTS LIST



PARTS LIST

KEY NO.	PARTS NO.	DESCRIPTION
1	743870298	Accessory set (Model 280)
	743870379	Accessory set (Model 281)
2	102261000	Bobbin
3	647808009	Seam ripper
4	639804000	Needle set
5	735801008	Darning plate
6	737801015	Buttonhole foot
7	556401003	Twin needle (Model 281)
8	042970402	Foot control
9	743801793	Instruction book
10	741811000	Cover