

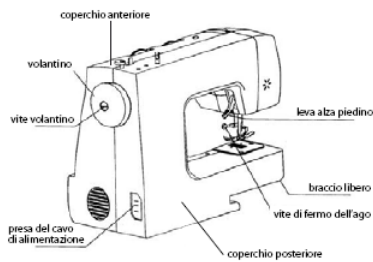
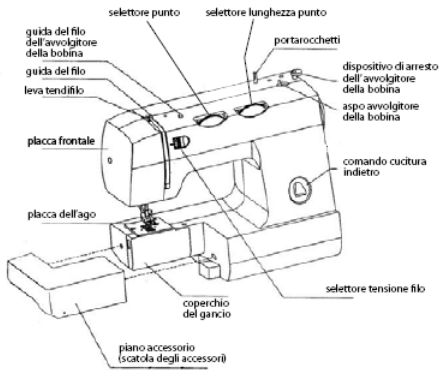
# PARTS LIST

# 零件表

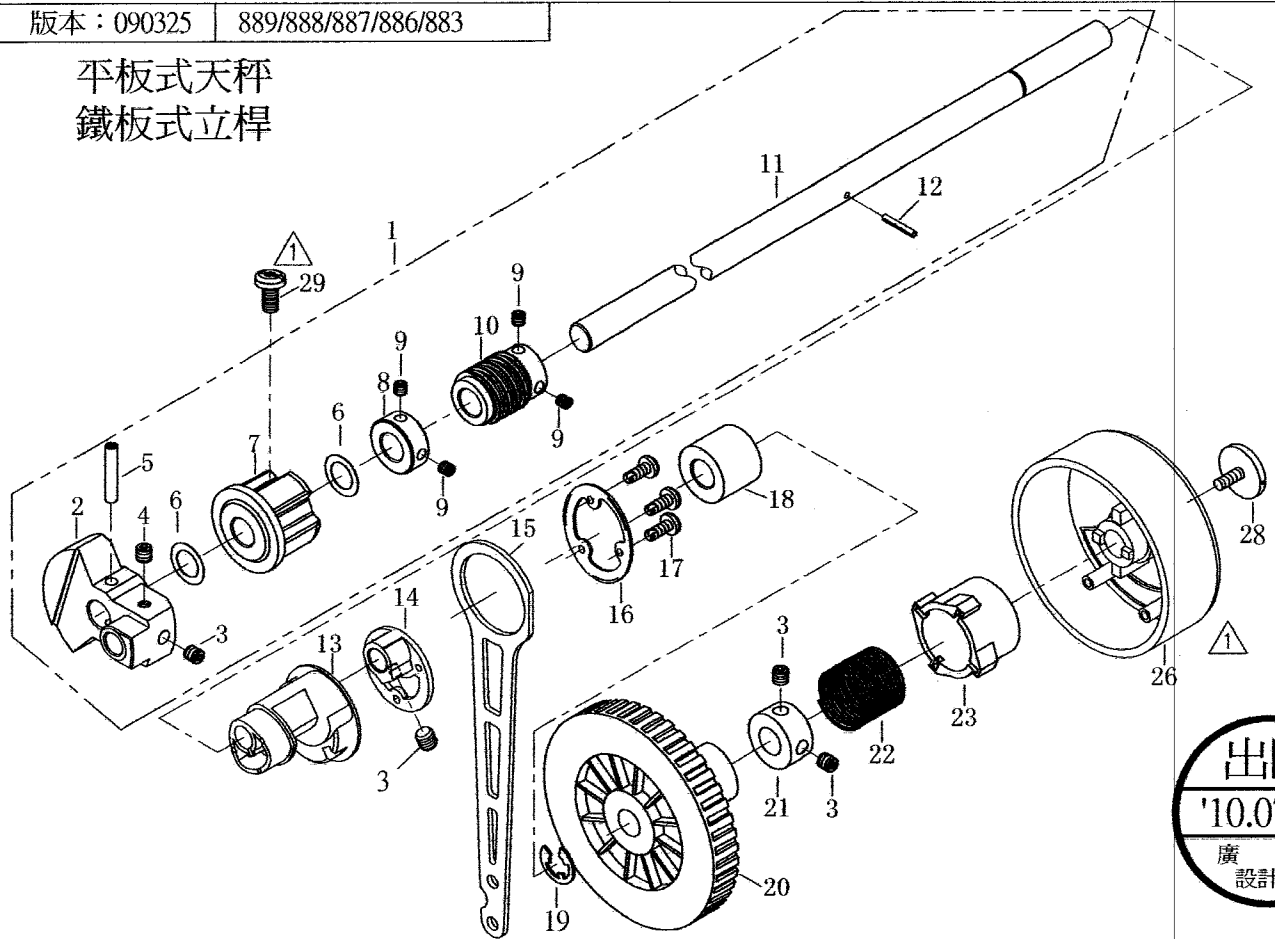
NECCHI 276  
NECCHI 264

## KP883

Nome delle parti



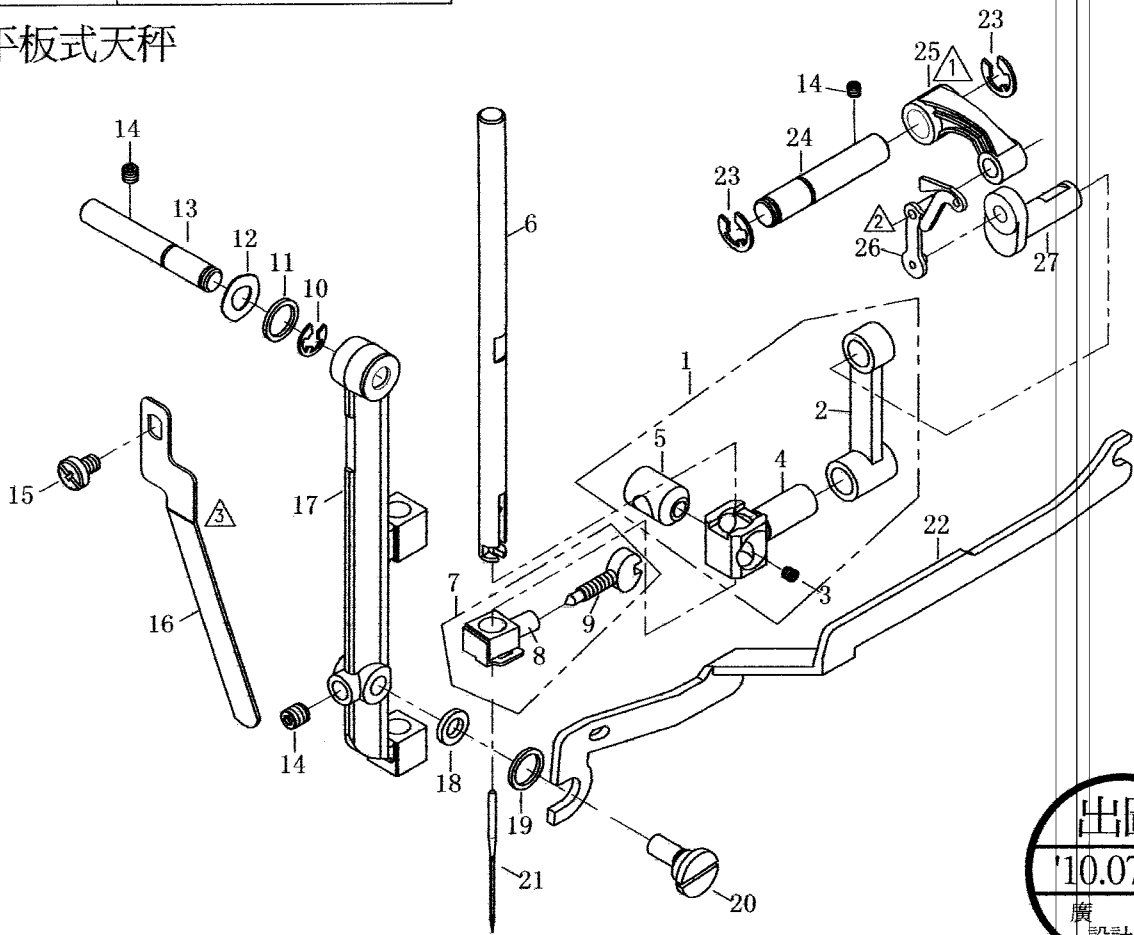
平板式天秤  
鐵板式立桿



出圖  
10.07.22  
廣 詔 設計部

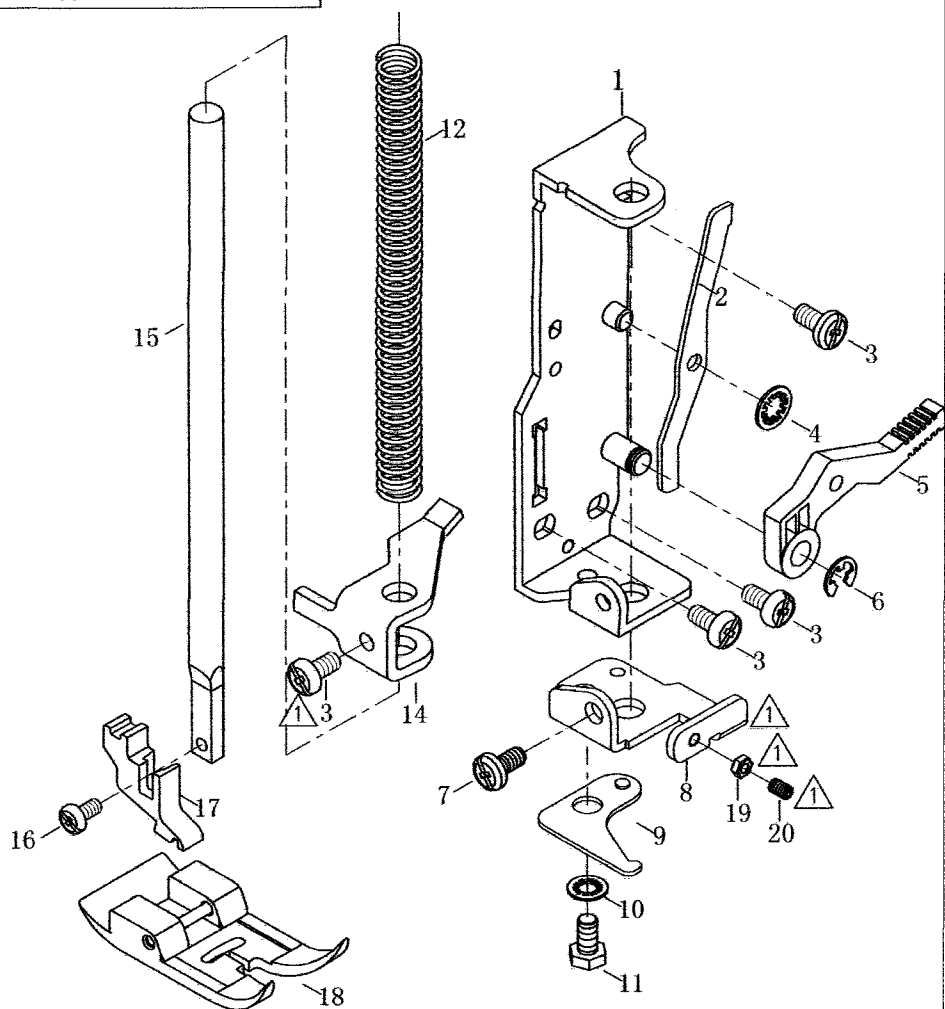
| 序号 | 共用品号       | 专用品号      | 名称               | 英文名称                          | 个数 |
|----|------------|-----------|------------------|-------------------------------|----|
| 1  |            | 808000937 | 上轴组              | upper shaft unit              | 1  |
| 2  |            | 808001309 | 天秤传送体            | thread take-up crank          | 1  |
| 3  | 000009043  |           | 内六角螺丝M5*5        | screw                         | 4  |
| 4  | 000009098  |           | 内六角螺丝M5*5平端面     | screw                         | 1  |
| 5  | 000001104  |           | 弹簧销4*22          | spring pin                    | 1  |
| 6  | 000005245  |           | 电子垫片10.2*15*0.25 | nylon washer                  | 2  |
| 7  |            | 888004011 | 上轴前衬套            | front bushing for upper shaft | 1  |
| 8  |            | 400005007 | 上轴琐环             | upper shaft ring              | 1  |
| 9  | 000009021  |           | 内六角螺丝M4*4        | hexagon socket screw M4*4     | 4  |
| 10 |            | 808001000 | 上轴齿车             | upper shaft gear              | 1  |
| 11 |            | 808000913 | 上轴               | upper shaft                   | 1  |
| 12 | 000001034  |           | 弹簧销2*14          | spring pin                    | 1  |
| 13 |            | 808000100 | 前後傳送凸輪           | feed cam for upper shaft      | 1  |
| 14 |            | 808000202 | 立桿偏心輪            | crank rod cam                 | 1  |
| 15 |            | 808000305 | 立桿               | crank rod                     | 1  |
| 16 |            | 808000408 | 立桿側蓋             | crank rod cover               | 1  |
| 17 |            | S02730127 | 十字割尾自攻螺釘3*12     | tapping screw M3*12           | 3  |
| 18 |            | 888008016 | 上轴后衬套            | rear bushing for upper shaft  | 1  |
| 19 | 000003081  |           | E-9扣环            | snap ring E-9                 | 1  |
| 20 | 888009005  |           | 皮带轮              | belt wheel                    | 1  |
| 21 | 888011000  |           | 皮带轮套环            | bushing for belt wheel        | 1  |
| 22 | 888012001  |           | 弹簧               | spring                        | 1  |
| 23 | 888013002  |           | 弹簧套              | spring bushing                | 1  |
| 24 | 888501002  |           | 手轮组              | hand wheel unit               | 1  |
| 25 | 888015026  |           | 手轮配重             | blance unit                   | 1  |
| 26 | 888014003T |           | 手轮               | hand wheel                    | 1  |
| 27 | 000004026  |           | 止圈M5             | stopp ring                    | 2  |
| 28 | 888016005  |           | 手轮螺丝             | screw for hand wheel          | 1  |
| 29 | 000020224  |           | 螺丝M5*8           | screw M5*8                    | 1  |

平板式天秤



出圖  
10.07.22  
廣 詔  
設計部

| 序号 | 共用品号          | 专用品号          | 名称             | 英文名称                                 | 个数 |
|----|---------------|---------------|----------------|--------------------------------------|----|
| 1  | 888604006     |               | 针棒抱组           | needle bar connecting stud unit      | 1  |
| 2  | 888026008     |               | 活动接本体          | needle bar connecting rod            | 1  |
| 3  | 000009021     |               | M4*4内六角螺丝      | hexagon socket screw M4*4            | 1  |
| 4  | 888024006     |               | 针棒抱            | needle bar connecting stud           | 1  |
| 5  | 888025007     |               | 针棒抱圆筒          | needle bar connecting stud bushing   | 1  |
| 6  | 888023005     |               | 针棒             | needle bar                           | 1  |
| 7  | 888503004     |               | 针留组            | needle clamp unit                    | 1  |
| 8  | 888032007     |               | 针留             | needle clamp                         | 1  |
| 9  | 888033008     |               | 针留螺丝           | needle clamp screw                   | 1  |
| 10 | 000003047     |               | E-4扣环          | snap ring E-4                        | 1  |
| 11 | 000005131     |               | 体止轴平垫圈6*12*1   | plain wahser                         | 1  |
| 12 | 000006006     |               | 波浪形垫片11/64*0.3 | wahser                               | 1  |
| 13 | 888022004     |               | 针棒支持体轴         | needle bar supporter shaft           | 1  |
| 14 | 000009043     |               | 内六角螺丝M5*5      | hexagon socket screw M5*5            | 3  |
| 15 | 000020361 △   |               | 螺丝M4*4 △       | screw M4*4 △                         | 1  |
| 16 | (888035000T)  | △888035019通用  | 针棒连杆弹簧片        | spring for needle bar connecting rod | 1  |
| 17 | 888021003     |               | 针棒支持体          | needle bar supporter                 | 1  |
| 18 | 888030005     |               | 偏心轴平垫圈(小)      | plain washer (small)                 | 1  |
| 19 | 888029001     |               | 偏心轴平垫圈(大)      | plain washer (big)                   | 1  |
| 20 | 888028000     |               | 驱动体调节轴         | eccentric pin                        | 1  |
| 21 | 888198002     |               | 针              | needle                               | 1  |
| 22 | 888031006T    |               | 针棒连杆           | needle bar connecting rod            | 1  |
| 23 | 000003070     |               | E-6扣环          | snap ring E-6                        | 2  |
| 24 |               | 808001401     | 天秤支工轴          | thread take-up lever pin             | 1  |
| 25 | (888018007) △ | 200006022 △   | 天秤支工           | thread take-up lever crank           | 1  |
| 26 |               | 883001020 △ △ | 天秤本体           | thread take-up lever                 | 1  |
| 27 |               | 808001206     | 90°曲轴          | needle bar crank pin                 | 1  |
| 28 |               |               |                |                                      |    |



出圖  
10.07.22  
廣 詔  
設計部

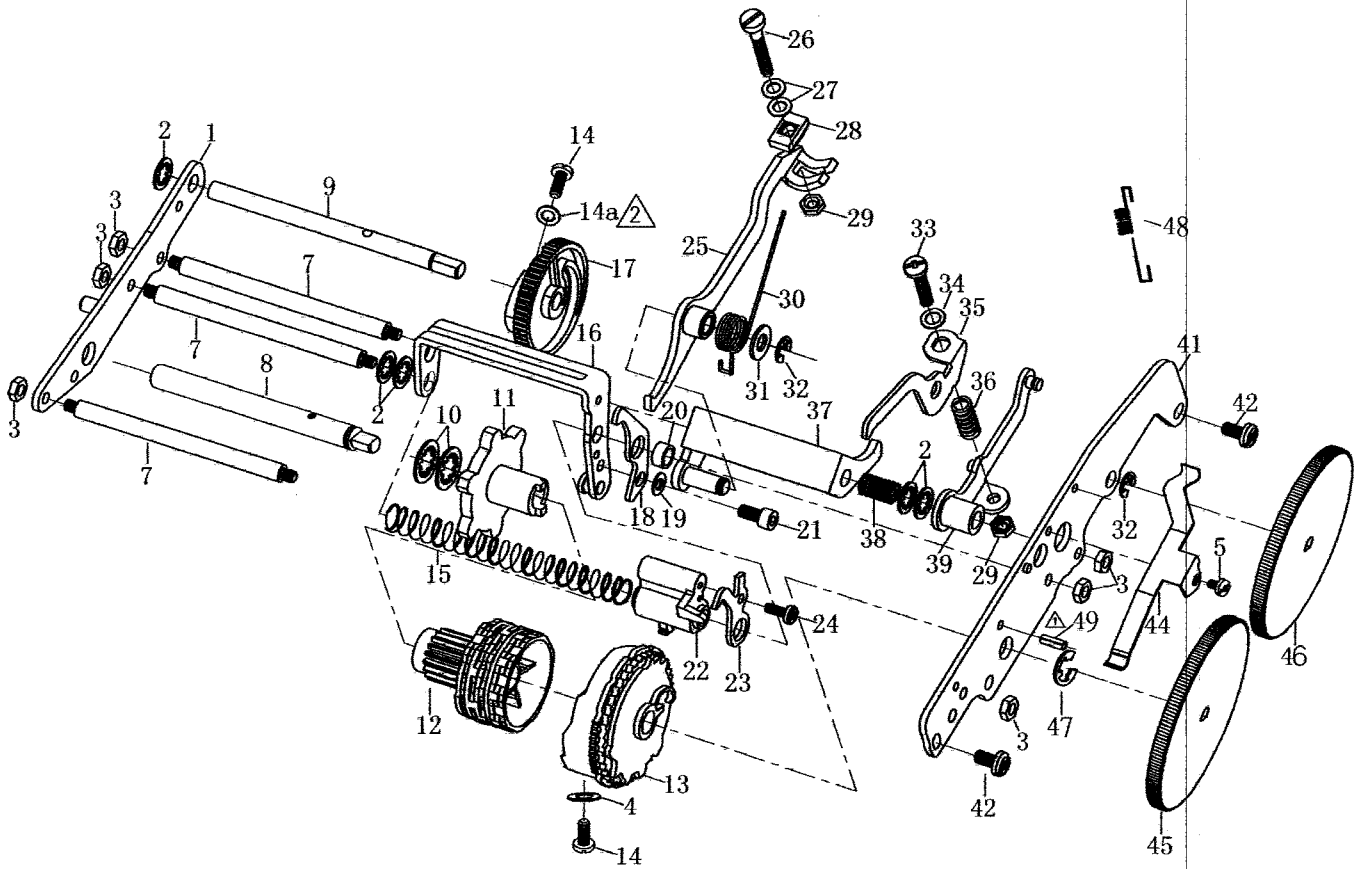
| 序号            | 共用品号                 | 专用品号 | 名称                   | 英文名称                                 | 个数           |
|---------------|----------------------|------|----------------------|--------------------------------------|--------------|
| 1             | 888036001            |      | 押棒组座架                | bracker for presser bar              | 1            |
| 2             | 888041009            |      | 押上下作动腕               | presser bar guide lifter crank       | 1            |
| 3             | 000020109            |      | 螺丝M4*8               | screw M4*8                           | 4            |
| 4             | 000004026            |      | 止圈M5                 | stop ring                            | 1            |
| 5             | 888040008            |      | 押上下                  | presser bar guide lifter             | 1            |
| 6             | 000003047            |      | E-4扣环                | snap ring E-4                        | 1            |
| 7             | 000020084            |      | 螺丝M4*6               | screw M4*6                           | 1            |
| 8             | 888042000T           |      | 针棒支持体固定架             | needle bar supporter holder          | 1            |
| 9             | 888043001            |      | 到位限制板                | position piale                       | 1            |
| 10            | 000004004            |      | 白止圈                  | white stop ring                      | 1            |
| 11            | 000018023            |      | 螺丝M4*8六角頭            | screw                                | 1            |
| 12            | 888037002            |      | 押弹簧                  | presser spring                       | 1            |
| <del>13</del> | <del>000009032</del> |      | <del>内六角螺丝M4*6</del> | <del>hexagon socket screw M4*6</del> | <del>1</del> |
| 14            | 888039004            |      | 押抱                   | presser bar guide bracket            | 1            |
| 15            | 888038003            |      | 押棒                   | presser bar                          | 1            |
| 16            | 000020338            |      | 螺丝9/64*8             | screw                                | 1            |
| 17            | 888044002            |      | 押金上座                 | presser foot holder                  | 1            |
| 18            | 888046004            |      | 押金下座                 | presser foot                         | 1            |
| 19            | 000021007            |      | 螺帽M3                 | nut M3                               | 1            |
| 20            | 000009124            |      | 内六角螺丝M3*5            | hexagon socket screw M3*5            | 1            |
|               |                      |      |                      |                                      |              |
|               |                      |      |                      |                                      |              |
|               |                      |      |                      |                                      |              |
|               |                      |      |                      |                                      |              |

出圖

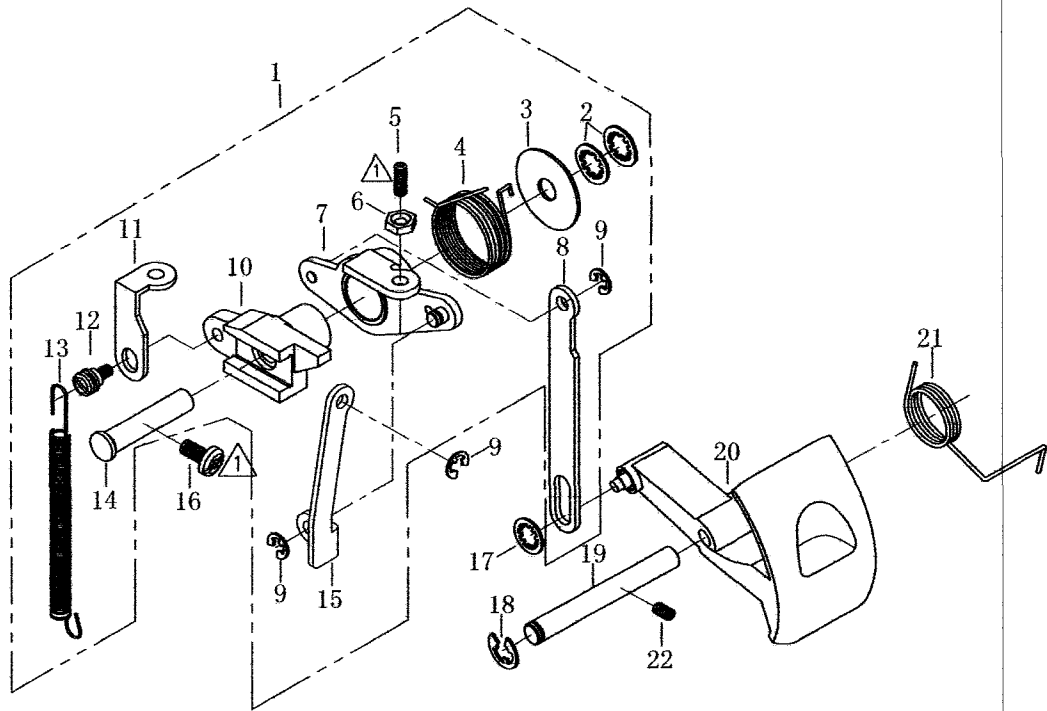
'10.07.22

廣 認  
設計部

| 序号              | 共用品号                  | 专用品号                   | 名称                           | 英文名称  | 个数 |
|-----------------|-----------------------|------------------------|------------------------------|---|----|
| 1               |                       | 808004517B             | 機構組固定板B                      | stretch stitch selector crank B $\triangle$ | 1  |
| 2               | 000004037             |                        | 止圈6                          | stop ring                                   | 5  |
| 3               | 000021029             |                        | 螺母M4*0.7                     | nut M4*0.7                                  | 6  |
| 4               | 000005050             |                        | 垫片4*8*0.8 $\triangle$        | washer                                      | 1  |
| 5               | 000020006             |                        | 螺丝M3*5                       | screw M3*5                                  | 1  |
| 6               |                       |                        |                              |   |    |
| 7               | 888051002             |                        | 机构组固定轴                       | fix shaft for unit                          | 3  |
| 8               |                       | 883003107              | 模样凸轮轴                        | stitch cam shaft                            | 1  |
| 9               |                       | 883003004              | 送料凸轮轴                        | feed cam shaft                              | 1  |
| 10              | 000004048             |                        | 止圈M8                         | stop ring                                   | 2  |
| 11              | 888058009             |                        | SS凸轮                         | SS cam                                      | 1  |
| 12              | 888057008             |                        | 模样凸轮                         | stitch cam                                  | 1  |
| 13              | 888056007             |                        | 模样选择凸轮                       | stitch selector cam                         | 1  |
| 14              | 000017022             |                        | 螺丝M3*8                       | screw M3*8                                  | 2  |
| 14a $\triangle$ | 000005290 $\triangle$ |                        | 平垫片3*6*0.5 $\triangle$       | washer $\triangle$                          | 1  |
| 15              | 888066000             |                        | 模样凸轮弹簧                       | stitch cam spring                           | 1  |
| 16              |                       | 808004141              | 接触子作动腕                       | contacting finger crank                     | 1  |
| 17              | 888082002             |                        | 缝目调节凸轮                       | stitch lenth adjusting cam                  | 1  |
| 18              |                       | 808004130              | 针位限制板                        | limited plate for connecting finger         | 1  |
| 19              | 000005038             |                        | 白垫片4*8*0.8 $\triangle$       | white washer                                | 1  |
| 20              | 888060004             |                        | 垫圈                           | washer                                      | 1  |
| 21              | 000010025             |                        | M4*8内六角螺丝 (有头)               | screw                                       | 1  |
| 22              | 888064008             | (808004153)            | 接触子移动体                       | contacting finger rod                       | 1  |
| 23              |                       | 808004165              | 接触子                          | contacting finger                           | 1  |
| 24              | 888065009             |                        | 十字槽凹端快牙螺钉M3*8                | screw M3*8                                  | 1  |
| 25              |                       | 808004372              | SS作动腕                        | SS feed connecting crank                    | 1  |
| 26              | 888075002             |                        | SS调整螺丝                       | SS adjusting screw                          | 1  |
| 27              | 888076003             |                        | SS调整螺丝平垫片4*8*0.8 $\triangle$ | plain washer                                | 2  |
| 28              | 888077004             |                        | SS作动碗滑块                      | SS slide block                              | 1  |
| 29              | 000022008             |                        | 止滑螺母                         | nut   | 2  |
| 30              | 888074001             |                        | 模样凸轮支架弹簧                     | stitch cam barcket spring                   | 1  |
| 31              | 000005142             |                        | 平垫圈12*6*1                    | washer                                      | 1  |
| 32              | 000003047             |                        | E-4扣环                        | snap ring E-4                               | 2  |
| 33              | 000020165             |                        | BH调整螺丝M4*20                  | BH adjusting screw                          | 1  |
| 34              | 000005108             |                        | BH调整螺丝平垫片4*8*0.8 $\triangle$ | plain washer                                | 1  |
| 35              | 888067001             |                        | BH选择板                        | BH selector plate                           | 1  |
| 36              | 888069003             |                        | BH调整弹簧                       | BH adjusting spring                         | 1  |
| 37              | 888072009             |                        | SS凸轮支架                       | SS cam bracket                              | 1  |
| 38              | 888071008             |                        | SS调整弹簧                       | SS adjusting spring                         | 1  |
| 39              | 888070007             |                        | 送料调节腕                        | feed adjust crank                           | 1  |
| 40              |                       |                        |                              |   |    |
| 41              |                       | 808004013B $\triangle$ | 機構組固定板A                      | stretch stitch selector crank A $\triangle$ | 1  |
| 42              | 000020109             |                        | 螺丝M4*8                       | screw M4*8                                  | 2  |
| 43              |                       |                        |                              |   |    |
| 44              | 888083003             |                        | 宽度凸轮弹簧板                      | spring plate for width cam                  | 1  |
| 45              |                       | 883002000              | 模样选择钮                        | Pattern selector dial                       | 1  |
| 46              |                       | 883002000A             | 缝目选择钮                        | stitch length selector dial                 | 1  |
| 47              | 000003070             |                        | E-6扣环                        | snap ring E-6                               | 1  |
| 48              | 888068002             |                        | BH拉弹簧                        | BH spring                                   | 1  |
| 49              |                       | 000001126 $\triangle$  | 弹簧销2.5*5 $\triangle$         | spring pin                                  | 1  |



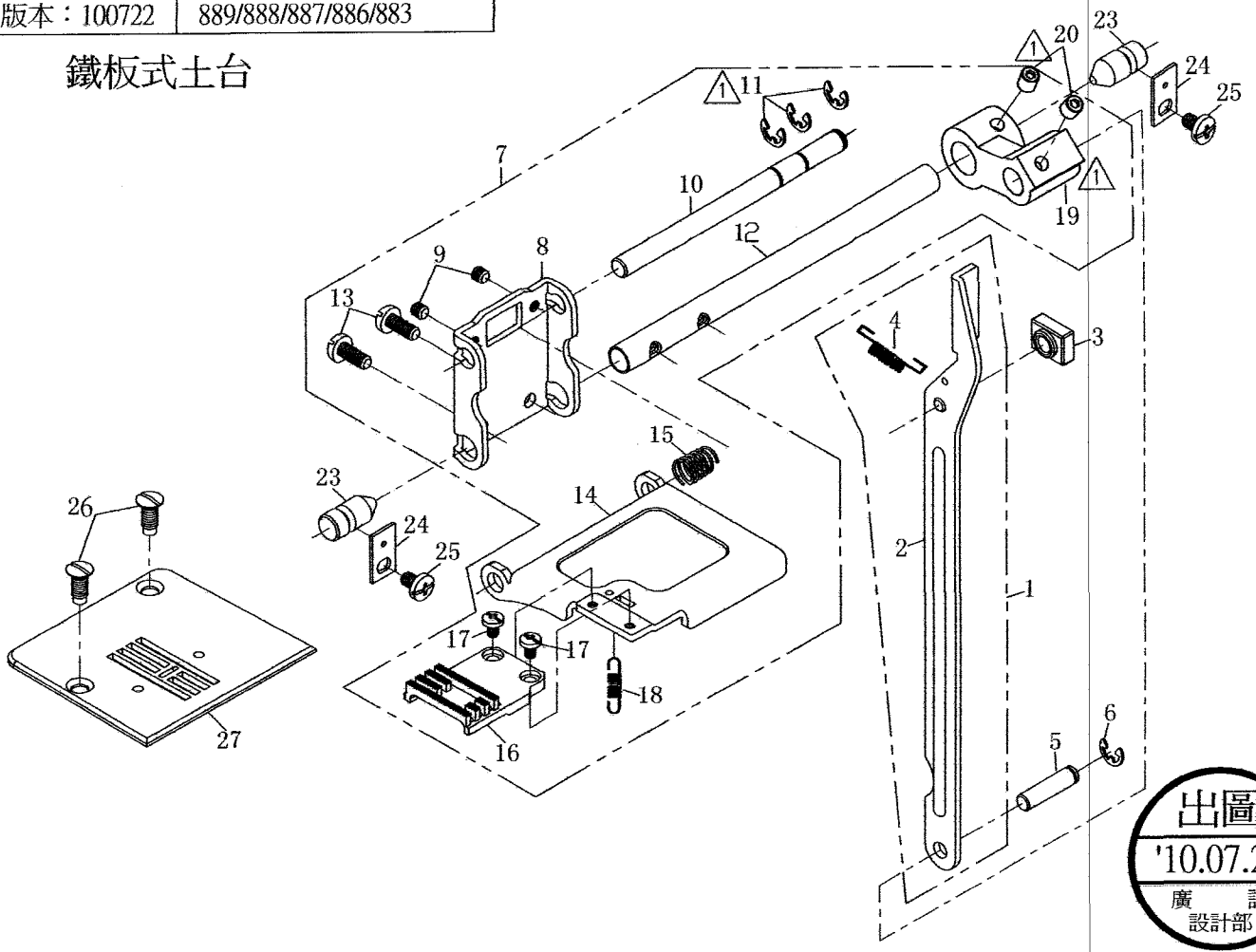
出圖  
'10.07.22  
廣 詔  
設計部



出圖  
'10.07.22  
廣 詔  
設計部

| 序号 | 共用品号        | 专用品号      | 名称          | 英文名称                             | 个数 |
|----|-------------|-----------|-------------|----------------------------------|----|
| 1  | 888609001   |           | 函组          | feed regulator                   | 1  |
| 2  | 000004037   |           | 止圈M6        | stopp ring                       | 2  |
| 3  | 888108005   |           | 函组轴平垫片      | plain washer                     | 1  |
| 4  | 888107004   |           | 函组限制板弹簧     | spring for feed regulating rod   | 1  |
| 5  | 000049135△  |           | 内六角螺丝M4*12△ | hexagon socket screw M4*12△      | 1  |
| 6  | 000020008   |           | 止滑螺母M4      | nut M4                           | 1  |
| 7  | 888101008   |           | 函组限制板       | limited plate for feed regulator | 1  |
| 8  | 888103000   |           | 返缝作动板       | rever stitch rod                 | 1  |
| 9  | 000030025   |           | E-3扣环       | snap ring E-3                    | 3  |
| 10 | 888097000   |           | 函组本体        | feed regulator body              | 1  |
| 11 | 888098001   |           | SS作动板       | stretch stitch rod               | 1  |
| 12 | 888099002   |           | SS作动板螺丝     | screw                            | 1  |
| 13 | 888100007   |           | 函组弹簧        | feed regulator spring            | 1  |
| 14 | 888096009   |           | 函组轴         | feed regulator shaft             | 1  |
| 15 | 808004610   |           | BH作动板       | BH regulating rod                | 1  |
| 16 | 000020224△  |           | 螺M5*8△      | screw M5*8△                      | 1  |
| 17 | 000004026   |           | 止圈M5        | stopp ring                       | 1  |
| 18 | 000003058   |           | E-5扣环       | snap ring E-5                    | 1  |
| 19 | 888105002   |           | 返缝轴         | reverses stitch shaft            | 1  |
| 20 |             | 883004007 | 返缝压钮        | reverse stitch buttom            | 1  |
| 21 | 888106003   |           | 返缝弹簧        | reverse stitch sping             | 1  |
| 22 | 000009043△△ |           | 内六角螺丝M5*5△△ | hexagon socket screw M5*5△△      | 1  |

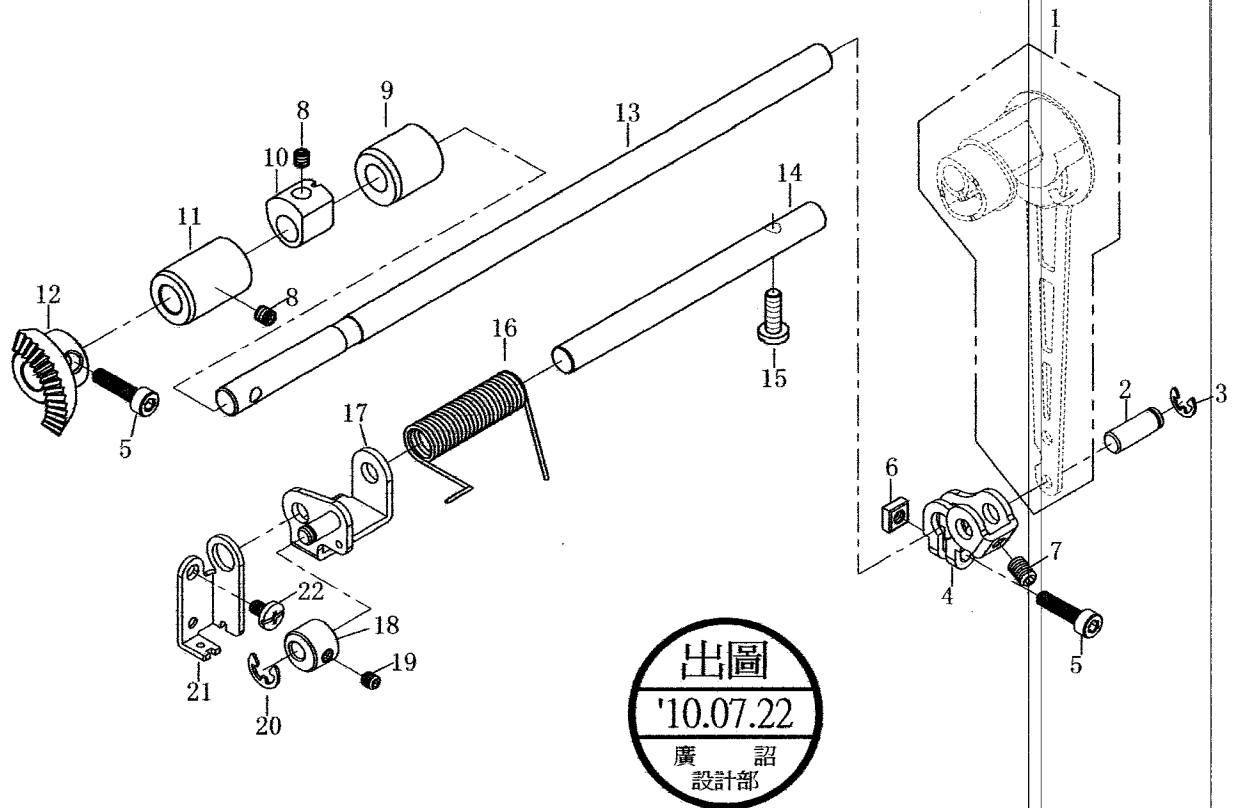
鐵板式土台



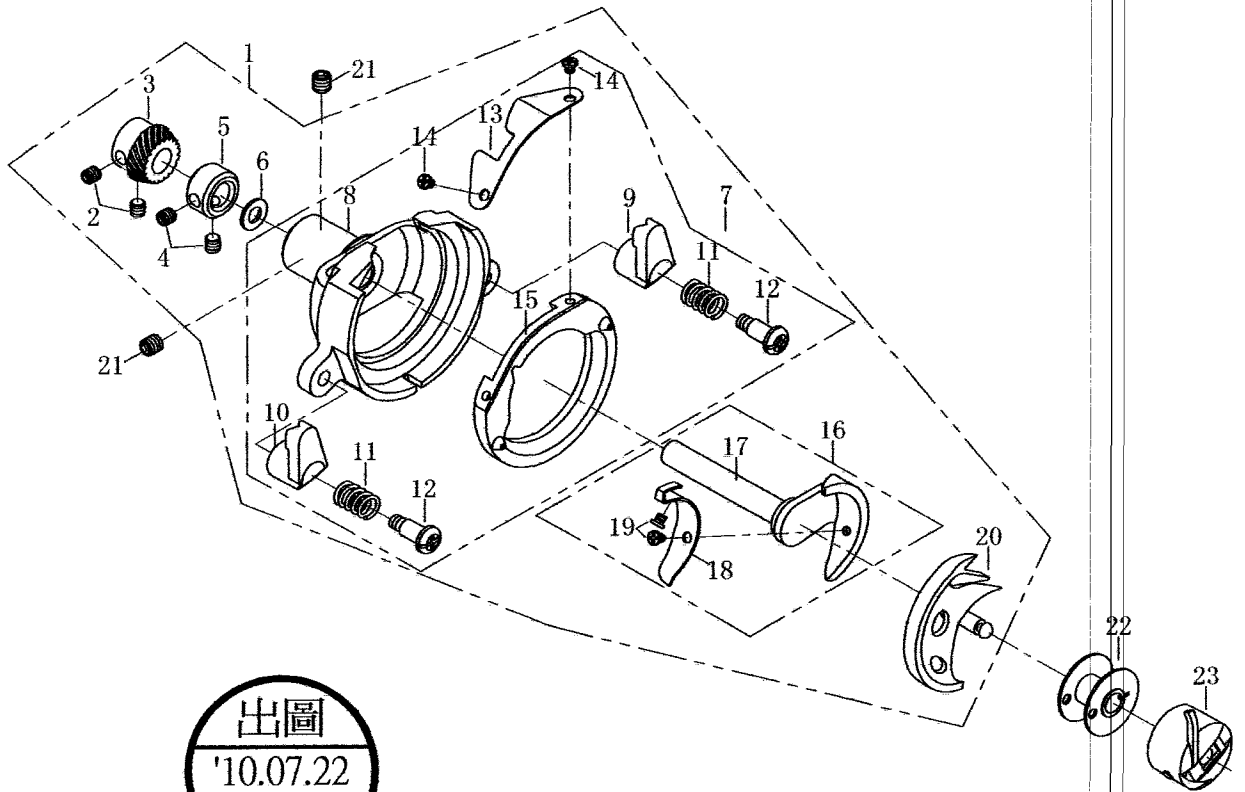
| 序号 | 共用品号       | 专用品号      | 名称            | 英文名称                              | 个数 |
|----|------------|-----------|---------------|-----------------------------------|----|
| 1  | 888608011  |           | 二叉组           | forked rod unit                   | 1  |
| 2  |            | 808002600 | 二叉            | forked rod                        | 1  |
| 3  | 888086006  |           | 涵组滑块          | slide block for feed regulator    | 1  |
| 4  | 888217008  |           | 二叉拉弹簧         | spring                            | 1  |
| 5  | 888087007  |           | 二叉销轴          | forked rod connecting pin         | 1  |
| 6  | 000003070  |           | E-6扣环         | snap ring E-6                     | 1  |
| 7  |            | 808002508 | 水平轴组          | feed rock shaft unit              | 1  |
| 8  |            | 808002510 | 水平支工腕         | feed rock shaft unit              | 1  |
| 9  | 000009021  |           | 内六角螺丝M4*4     | hexagon socket screw M4*4         | 2  |
| 10 |            | 808002715 | 土台轴           | feed dogbase shaft                | 1  |
| 11 | 000003037  |           | E-5扣环         | snap ring E-5                     | 3  |
| 12 |            | 808002521 | 水平轴           | feed rock shaft                   | 1  |
| 13 | 000020121  |           | 螺丝M4*10       | screw M4*10                       | 2  |
| 14 |            | 808002703 | 土台            | feed dog base                     | 1  |
| 15 |            | 808002739 | 土台轴弹簧         | spring for feed dogbase shaft     | 1  |
| 16 | A888092005 |           | 送布齿           | feed dog                          | 1  |
| 17 | 000020349  |           | 送布齿螺丝 1/8"*44 | screw for feed dog                | 2  |
| 18 |            | 808002727 | 土台弹簧          | spring for feed dogbase           | 1  |
| 19 | 888088024  |           | 水平传送腕         | feed rock shaft crank             | 1  |
| 20 | 000009043  |           | 内六角有頭螺丝M5*5   | hexagon socket screw M5*5         | 2  |
| 21 | 000023009  |           | 四角螺帽          | nut                               | 1  |
| 22 | 000009032  |           | 内六角螺丝M4*6     | hexagon socket screw M4*6         | 1  |
| 23 | 888093006  |           | 水平中心销         | feed rock center pin              | 2  |
| 24 | 888094007  |           | 水平轴压板         | presser plate for feed rock shaft | 2  |
| 25 | 000020095  |           | 螺丝M4*6        | screw M4*6                        | 2  |
| 26 | 888048006  |           | 针板螺丝          | needle plate screw                | 2  |
| 27 | A888047005 |           | 针板            | needle plate                      | 1  |



鐵板式立桿  
鐵板式土台

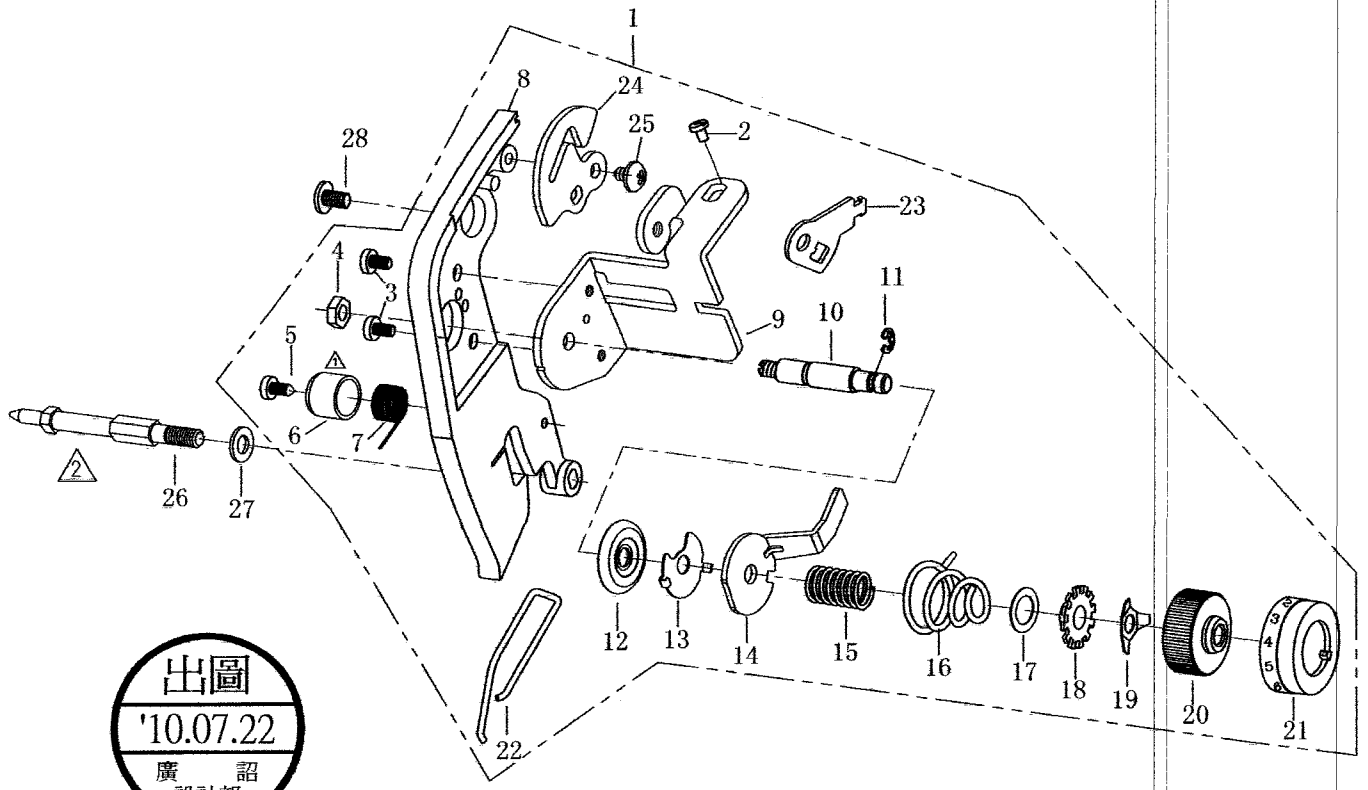


| 序号 | 共用品号      | 专用品号      | 名称           | 英文名称                          | 个数 |
|----|-----------|-----------|--------------|-------------------------------|----|
| 1  |           | 808000317 | 立杆组          | crank rod unit                | 1  |
| 2  |           | 808000500 | 立杆连销         | crank rod pin                 | 1  |
| 3  | 000003058 |           | E-5扣环        | snap ring E-5                 | 1  |
| 4  |           | 808000718 | 下轴作动腕        | lower shaft crank             | 1  |
| 5  | 000010058 |           | 内六角有頭螺丝M4*16 | hexagon socket screw M4*16    | 2  |
| 6  | 000023009 |           | 四角螺帽         | nut                           | 1  |
| 7  | 000009032 |           | 内六角螺丝M4*6    | hexagon socket screw M4*6     | 1  |
| 8  | 000009043 |           | 内六角螺丝M5*5    | hexagon socket screw M5*5     | 2  |
| 9  | 888114004 |           | 下轴后衬套        | rear bushing for lower shaft  | 1  |
| 10 | 888115005 |           | 上下传送凸轮       | feed lifting cam              | 1  |
| 11 | 888116006 |           | 下轴前衬套        | front bushing for lower shaft | 1  |
| 12 | 808003100 |           | 下轴齿车         | lower shaft gear              | 1  |
| 13 | 808003008 |           | 下轴           | lower shaft                   | 1  |
| 14 | 888118008 |           | 上下传送轴        | feed lifting shaft            | 1  |
| 15 | 000020143 |           | 螺丝M4*12      | screw M4*12                   | 1  |
| 16 | 888119009 |           | 上下传送弹簧       | feed lifting spring           | 1  |
| 17 |           | 808002831 | 上下传送腕        | feed lifting crank            | 1  |
| 18 |           | 808002820 | 上下调节偏心輪      | feed lifting crank roller     | 1  |
| 19 | 000009021 |           | 内六角螺丝M4*4    | hexagon socket screw M4*4     | 1  |
| 20 | 000003047 |           | E-4扣环        | snap ring E-4                 | 1  |
| 21 |           | 808002740 | 上下传送腕固定板     | feed lifting crank plate      | 1  |
| 22 | 000020084 |           | 螺丝M4*6       | screw M4*6                    | 1  |



出圖  
10.07.22  
廣 詔  
設計部

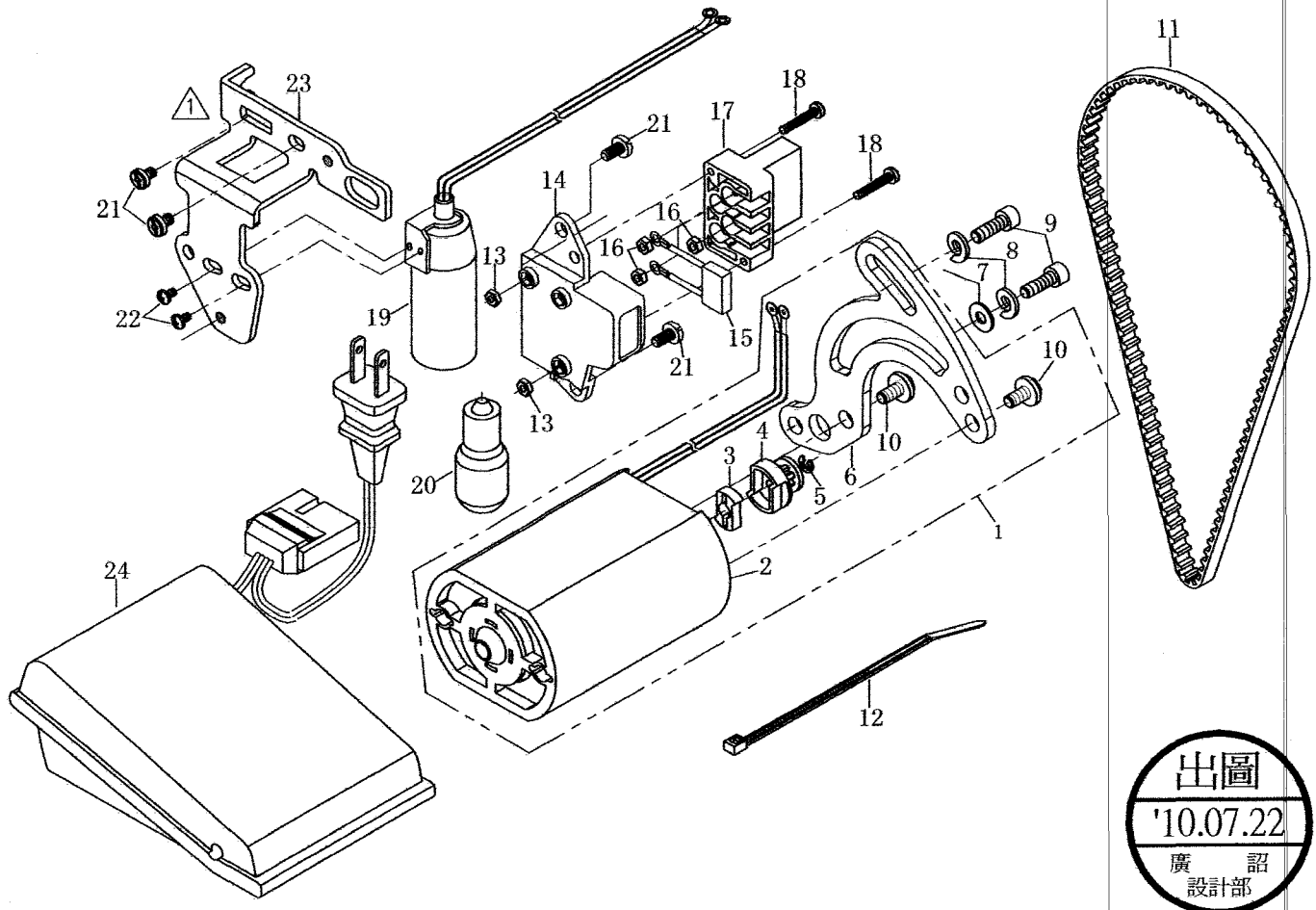
| 序号 | 共用品号      | 专用品号         | 名称             | 英文名称                         | 个数 |
|----|-----------|--------------|----------------|------------------------------|----|
| 1  | 888610005 |              | 大釜传动组          | hook race unit               | 1  |
| 2  | 000009021 | △            | 内六角螺丝M4*4      | hexagon socket screw M4*4    | 2  |
| 3  | 888125008 |              | 牛角齿车           | hook driver shaft bevel gear | 1  |
| 4  | 000009021 |              | 内六角螺丝M4*4      | hexagon socket screw M4*4    | 2  |
| 5  | 888124007 |              | 牛角轴套环          | hook driver shaft ring       | 1  |
| 6  | 000005223 |              | 电子垫片12*8.2*0.3 | nylon washer                 | 1  |
| 7  | 888506007 | (888506018)△ | 大釜组            | hook race body unit          | 1  |
| 8  |           |              | 大釜             | hook race body               | 1  |
| 9  |           |              | 大釜脚 A          | hook race ring clasp(A)      | 1  |
| 10 |           |              | 大釜脚 B          | hook race ring clasp(B)      | 1  |
| 11 |           |              | 大釜脚弹簧          | hook race ring clasp spring  | 2  |
| 12 |           |              | 大釜脚螺丝          | hinge screw                  | 2  |
| 13 |           |              | 大釜盖弹簧片         | hook race ring cap spring    | 1  |
| 14 |           |              | 大釜盖弹簧片螺丝       | set screw                    | 2  |
| 15 |           |              | 大釜盖            | hook race ring               | 1  |
| 16 | 888507008 | (888507019)△ | 牛角组            | hook driver body unit        | 1  |
| 17 |           |              | 牛角             | hook driver body             | 1  |
| 18 |           |              | 牛角弹簧片          | hook driver spring           | 2  |
| 19 |           |              | 牛角弹簧片螺丝        | flat head set screw          | 1  |
| 20 | 888126009 |              | 月眉             | hook                         | 1  |
| 21 | 000009043 |              | 内六角螺丝M5*5      | hexagon socket screw M5*5    | 2  |
| 22 | 888128001 |              | 梭芯             | bobbin                       | 1  |
| 23 | 888127000 |              | 梭壳             | bobbin case                  | 1  |



出圖  
'10.07.22  
廣 詔  
設計部

| 序号 | 共用品号      | 专用品号      | 名称            | 英文名称                                | 个数 |
|----|-----------|-----------|---------------|-------------------------------------|----|
| 1  | 888508049 |           | 上系调节器组        | thread tension regulator unit       | 1  |
| 2  | 000020109 |           | 螺丝M4*8        | screw M4*8                          | 1  |
| 3  |           | 000016010 | M3*5平头螺丝      | screw M3*5                          | 2  |
| 4  |           | 000021029 | M4*0.7螺母      | nut M4*0.7                          | 1  |
| 5  |           | 000014018 | M3*10自攻螺丝     | screw M3*10                         | 1  |
| 6  |           | 883012029 | 吊线弹簧盖         | spring cap                          | 1  |
| 7  |           | 400170004 | 吊线弹簧          | spring                              | 1  |
| 8  |           | 883007007 | 导线板           | thread tension holder               | 1  |
| 9  |           | 883009005 | 系台板           | thread tension regulator bracket    | 1  |
| 10 |           | 883008002 | 系调子轴          | thread tension regulator shaft      | 1  |
| 11 |           | 000003025 | E-3扣环         | snap ring E-3                       | 1  |
| 12 | 888137003 |           | 线盘            | threading way plate                 | 1  |
| 13 | 888138004 |           | 上系调节器垫片(三)    | washer for thread tension regulator | 1  |
| 14 |           | 883010007 | 上系调节器垫片(二)    | washer for thread tension regulator | 1  |
| 15 |           | 883008026 | 上系调节器小弹簧      | small spring for tension            | 1  |
| 16 |           | 883008038 | 上系调节器锥弹簧      | spring for tension                  | 1  |
| 17 |           | 000005278 | 平垫圈8*12*0.4t  | washer                              | 1  |
| 18 |           | 400164005 | 上系调节器螺帽       | nut of position adjusting           | 1  |
| 19 |           | 400165006 | 上系调节器弹片       | thread tension regulator spring     | 1  |
| 20 |           | 400166007 | 上系调节器内套       | bushing                             | 1  |
| 21 |           | 400167020 | 上系调节钮(白)      | dial                                | 1  |
| 22 |           | 400172006 | 系调子护线         | protection spring                   | 1  |
| 23 |           | 883012005 | 系调子轴固定板       | adjusting plate                     | 1  |
| 24 |           | 883013009 | 上系挂           | top cover thread guide              | 1  |
| 25 |           | 000014007 | M3*6自攻螺丝      | tapping screw M3*6                  | 1  |
| 26 |           | 883012017 | 导线板固定螺丝       | screw for thread tension holder     | 1  |
| 27 | 000005289 |           | 平垫圈4.3*8*0.8t | washer                              | 1  |
| 28 | 888177005 |           | 垫片螺丝M4*6      | screw M4*6                          | 1  |





| 序号 | 共用品号       | 专用品号         | 名称            | 英文名称                       | 个数  |
|----|------------|--------------|---------------|----------------------------|-----|
| 1  | A888611006 |              | 马达组           | motor unit                 | 1   |
| 2  | 888158000  |              | 马达            | motor                      | 1   |
| 3  | 888161006  |              | 联接块           | plastic washer             | 1   |
| 4  | 888162007  |              | 马达带轮          | middle pulley              | 1   |
| 5  | 000003025  |              | E-3扣环         | snap ring E-3              | 1   |
| 6  | 888157009  |              | 马达架           | motor bracket              | 1   |
| 7  | 000005120  |              | 垫片5*12*1      | washer                     | 2   |
| 8  | 000007007  |              | 弹簧垫M6         | spring washer              | 2   |
| 9  | 000010036  |              | 内六角有頭螺丝M5*12  | hexagon socket screw M5*12 | 2   |
| 10 | 888159001  |              | 螺钉 (厂家配)      | screw                      | 2   |
| 11 | 888163008  |              | 皮带            | belt                       | 1   |
| 12 |            |              | 扎带            | tape                       | 3   |
| 13 | 000021007  | △            | 螺帽M3 △        | nut △                      | △ 2 |
| 14 | 888164010  | △            | 插座固定板 △       | socket bracket             | 1   |
| 15 |            |              | 電容器 (厂家配) △   | condenser △                | 1   |
| 16 | 000021007  |              | 螺帽M3          | nut                        | 3   |
| 17 | 888166001  |              | 插座            | socket                     | 1   |
| 18 |            |              | 螺丝M3*18 (厂家配) | screw M3*18                | 2   |
| 19 | 888510015  |              | 灯头组           | lamp holder unit           | 1   |
| 20 | 888168003  |              | 灯泡            | bulb                       | 1   |
| 21 | 000020084  |              | 螺丝M4*6        | screw M4*6                 | 4   |
| 22 | 000020006  |              | 螺丝M3*5        | screw M3*5                 | 2   |
| 23 | 888167015  | 808003409通用△ | 灯架            | lamp holder bracket        | 1   |
| 24 | A888203001 |              | 控制器           | foot contpoller            | 1   |





