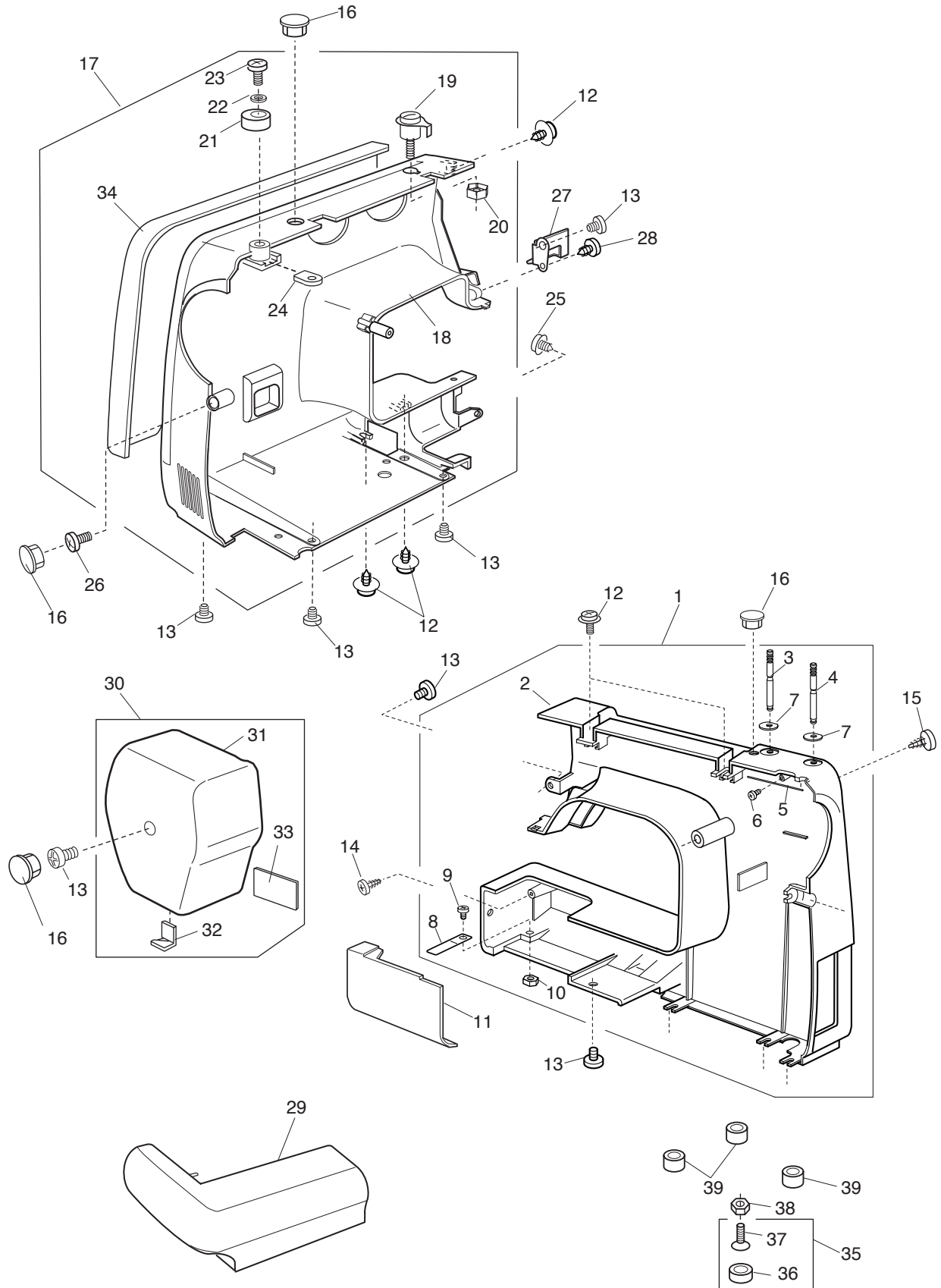


# ***PARTS LIST***

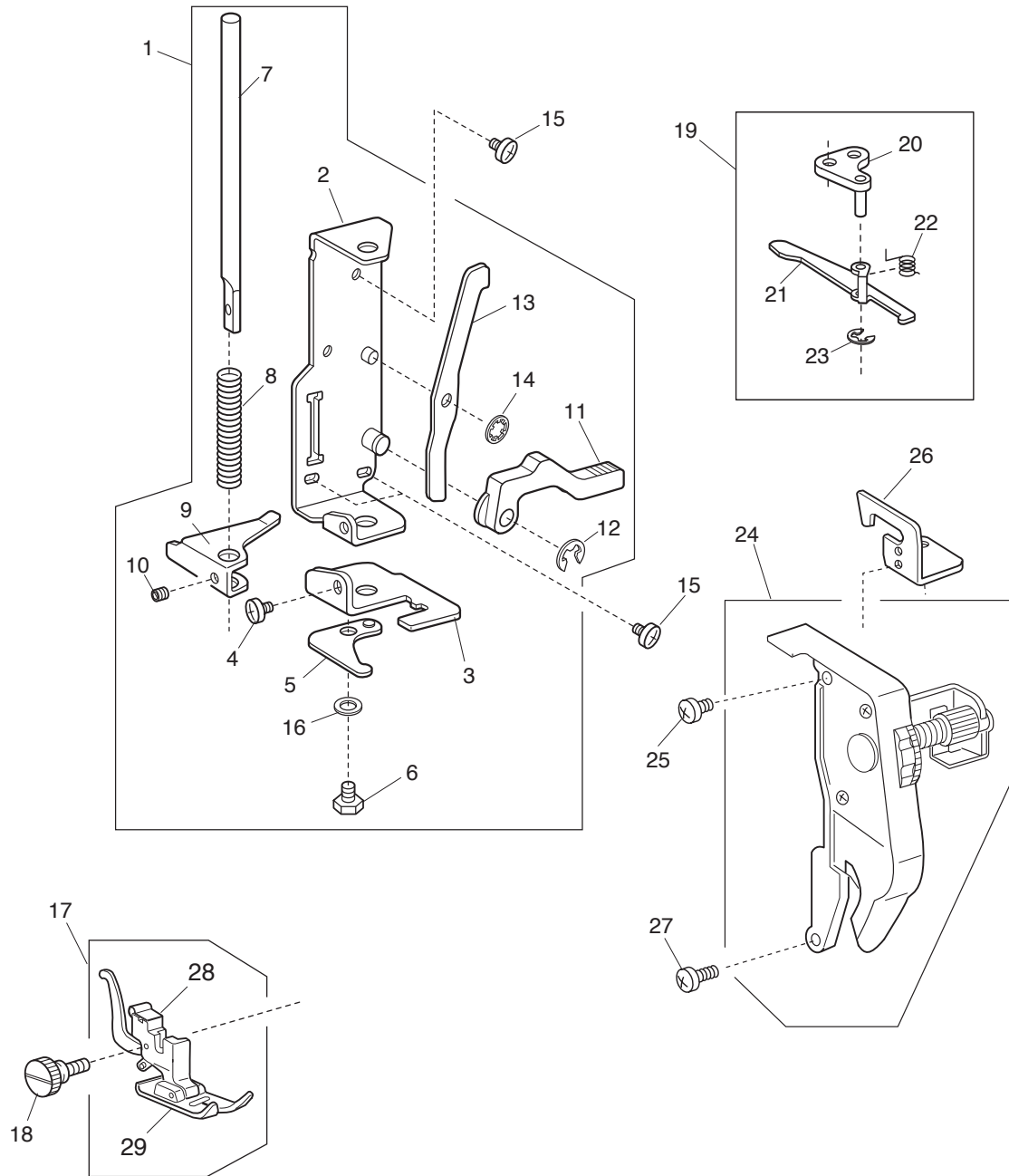
# PARTS LIST



# PARTS LIST

KEY NO.	PARTS NO.	DESCRIPTION
1	305601403	REAR COVER (UNIT)
2	305001407	REAR COVER
3	652302004	SPOOL PIN
4	652205006	SPOOL PIN
5	736007009	SPOOL PIN SPRING
6	000161206	TAPPING SCREW 3X10 B
7	735013005	SPOOL PIN SPRING BASE
8	730006000	SPRING
9	000101404	SETSCREW 4X6
10	000061205	NUT
11	739004005	BED COVER PLATE
12	000115205	TP SCREW 4X6
13	000081005	SETSCREW 4X8
14	000121905	TAPPING SCREW 4X12B
15	000198604	TAPPING SCREW 4X14B
16	653006101	CAP
17	307602444	FRONT COVER (UNIT)
18	307005108	FRONT COVER
19	730501011	THREAD GUIDE PLATE (UNIT)
20	000160102	ADJUSTABLE LOCK NUT 4
21	735016307	BOBBIN WINDER STOPPER
22	000071013	WASHER
23	000103107	SETSCREW 4X14
24	843014004	NUT
25	000115607	TP SCREW 4X8
26	000101703	SETSCREW 4X12
27	745031000	THREAD GUIDE PLATE
28	000107307	TAPPING SCREW 3X8B
29	307001001	EXTENSION TABLE (UNIT)
30	307601708	FACE COVER (UNIT)
31	307002105	FACE COVER
32	840602006	THREAD CUTTER (UNIT)
33	724025006	REFLEX STICKER
34	307006545	FRONT COVER PANEL
35	735616200	RUBBER BASE (UNIT)
36	735002001	RUBBER BASE
37	000097901	FLAT SCREW M5X18
38	000061319	NUT
39	739064003	BED RUBBER BASE

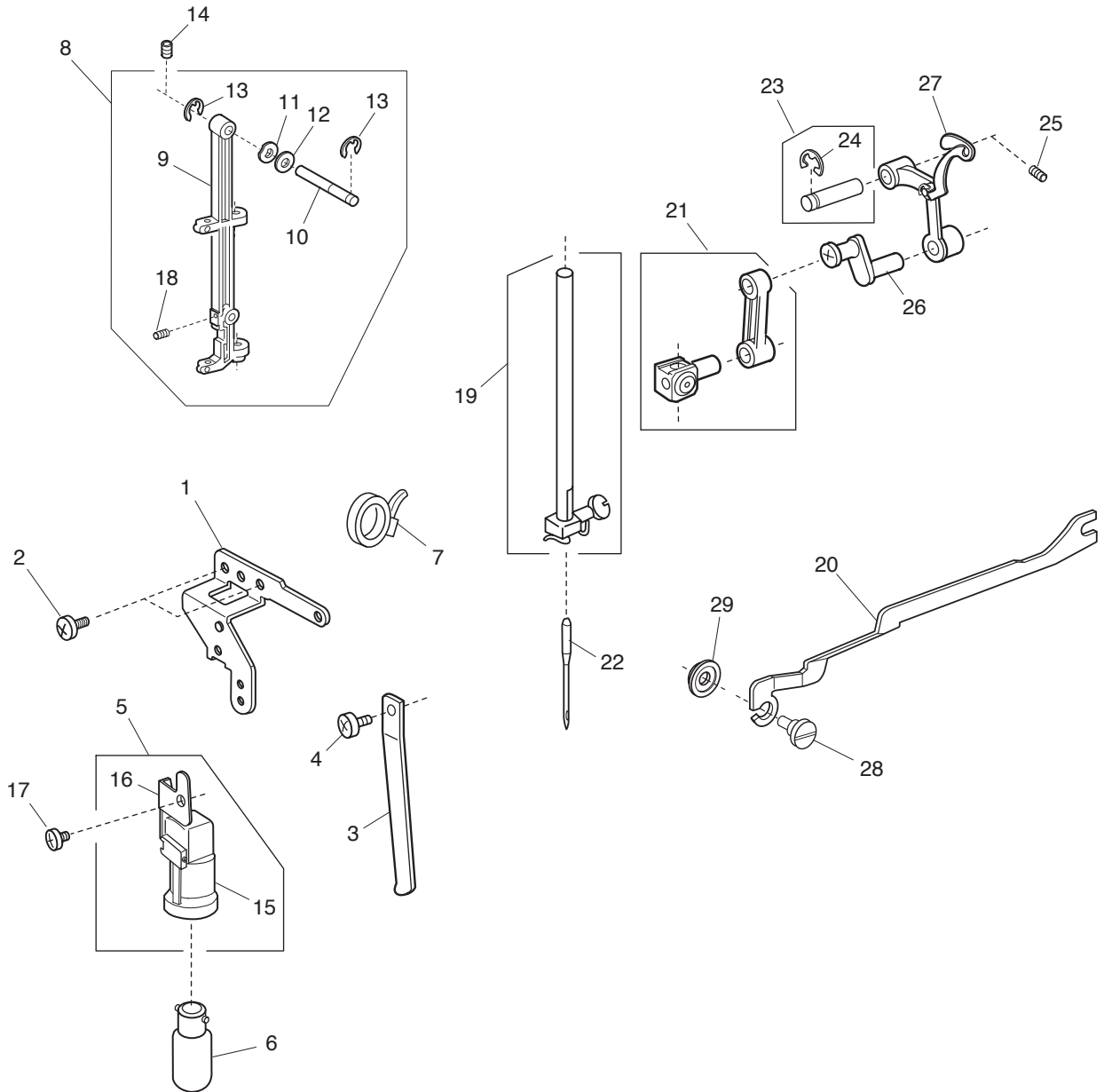
# PARTS LIST



# PARTS LIST

KEY NO.	PARTS NO.	DESCRIPTION
1	305604004	PRESSER BAR BASE PLATE (UNIT)
2	735221008	PRESSER BAR BASE PLATE
3	735222009	NEEDLE DROP ADJUSTING PLATE
4	000101404	SETSCREW 4X6
5	735025000	NEEDLE BAR SUPPORTER STOPPER
6	000138307	BOLT 4X8
7	735026001	PRESSER BAR
8	735027002	PRESSER BAR SPRING
9	735028003	PRESSER BAR BRACKET
10	000111500	HEXAGONAL SOCKET SCREW 4X8
11	735029004	PRESSER FOOT LIFTER
12	000001609	SNAP RING E-5
13	735030008	TENSION RELEASE LEVER
14	000013903	SNAP RING CS-5
15	000081005	SETSCREW 4X8
16	000070506	WASHER
17	301612003	PRESSER FOOT (UNIT)
18	660106001	SETSCREW
19	739605002	TENSION RELEASE ARM (UNIT)
20	739017001	TENSION RELEASE ARM BASE
21	739018002	TENSION RELEASE ARM
22	739019003	TENSION RELEASE SPRING
23	000002105	SNAP RING E-3
24	307603009	TENSION ASSEMBLY
25	000103808	SETSCREW 3X5
26	739016000	TOP COVER THREAD GUIDE
27	000114802	TP SCREW 4X12
28	611510000	FOOT HOLDER (UNIT)
29	301505002	ZIGZAG FOOT (UNIT)

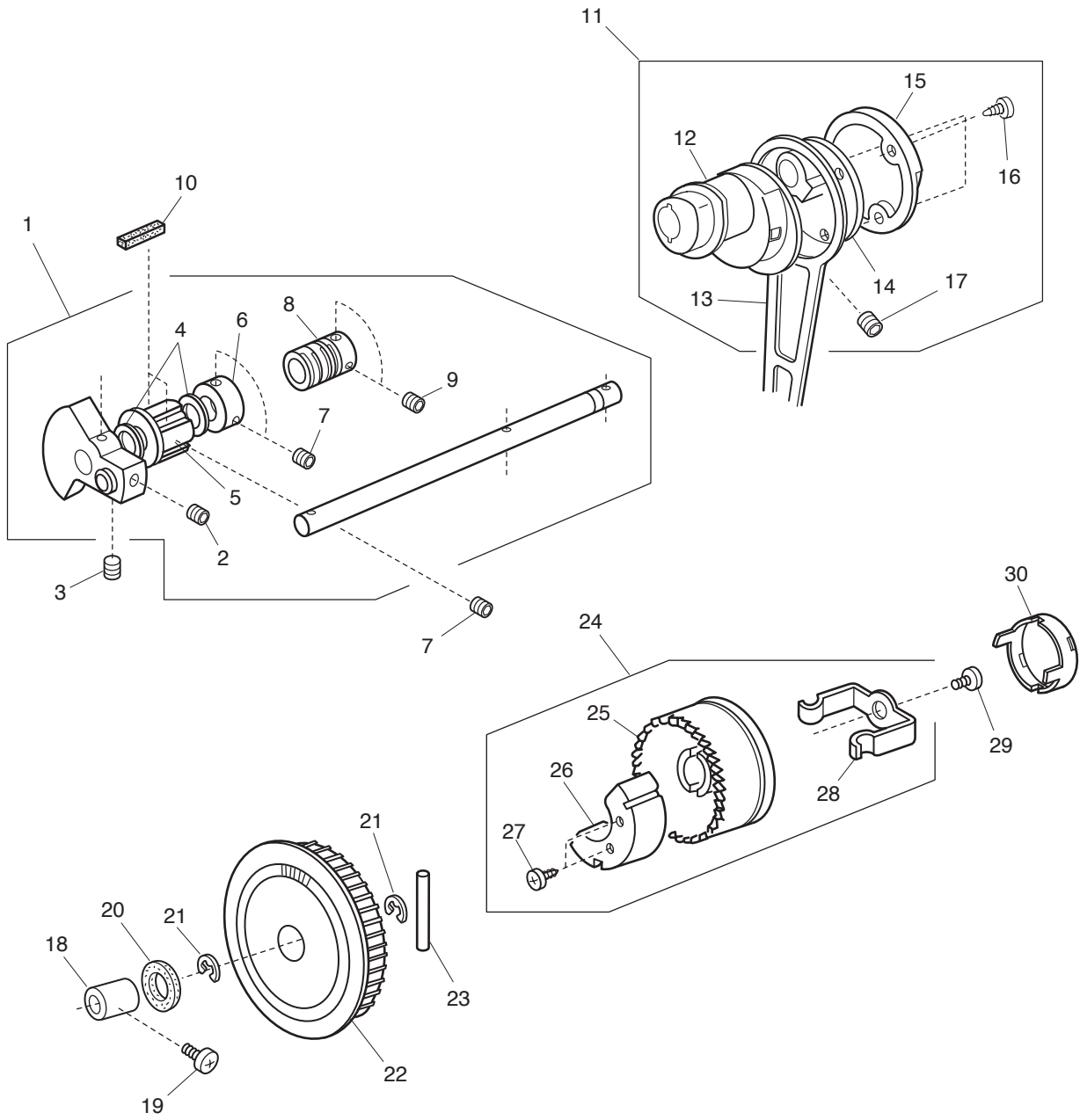
# PARTS LIST



# PARTS LIST

KEY NO.	PARTS NO.	DESCRIPTION
1	740007105	FACE COVER SET PLATE (UNIT)
2	000081005	SETSCREW 4X8
3	730024004	NEEDLE BAR SUPPORTER SPRING
4	000101404	SETSCREW 4X6
5	743634003	LAMP SOCKET (UNIT)
6	000009009	LAMP 240V 15W
7	000053709	CORD TIE BAND
8	301610001	NEEDLE BAR SUPPORTER (UNIT)
9	301032003	NEEDLE BAR SUPPORTER
10	730022002	NEEDLE BAR SUPPORTER PIN
11	673022002	WAVE WASHER
12	000070609	PLAIN WASHER
13	000002507	SNAP RING E-4
14	000111304	HEXAGONAL SOCKET SCREW 5X5
15	655681009	LAMP SOCKET (UNIT)
16	784026001	LAMP SOCKET SET PLATE
17	000107802	TAPPING SCREW 3X8
18	000111902	HEXAGONAL SOCKET SCREW 3X4
19	730503116	NEEDLE BAR (UNIT)
20	735119002	ZIGZAG ROD
21	680504201	NEEDLE BAR CONNECTING STUD (UNIT)
22	102408089	NEEDLE HA1-14
23	731511006	THREAD TAKE-UP LEVER PIN (UNIT)
24	000002806	SNAP RING E-3
25	000111304	HEXAGONAL SOCKET SCREW 5X5
26	735504008	NEEDLE BAR CRANK PIN (UNIT)
27	625506109	THREAD TAKE-UP LEVER (UNIT)
28	678084007	ECCENTRIC PIN
29	748021006	ZIGZAG ROD PLAIN WASHER

# PARTS LIST

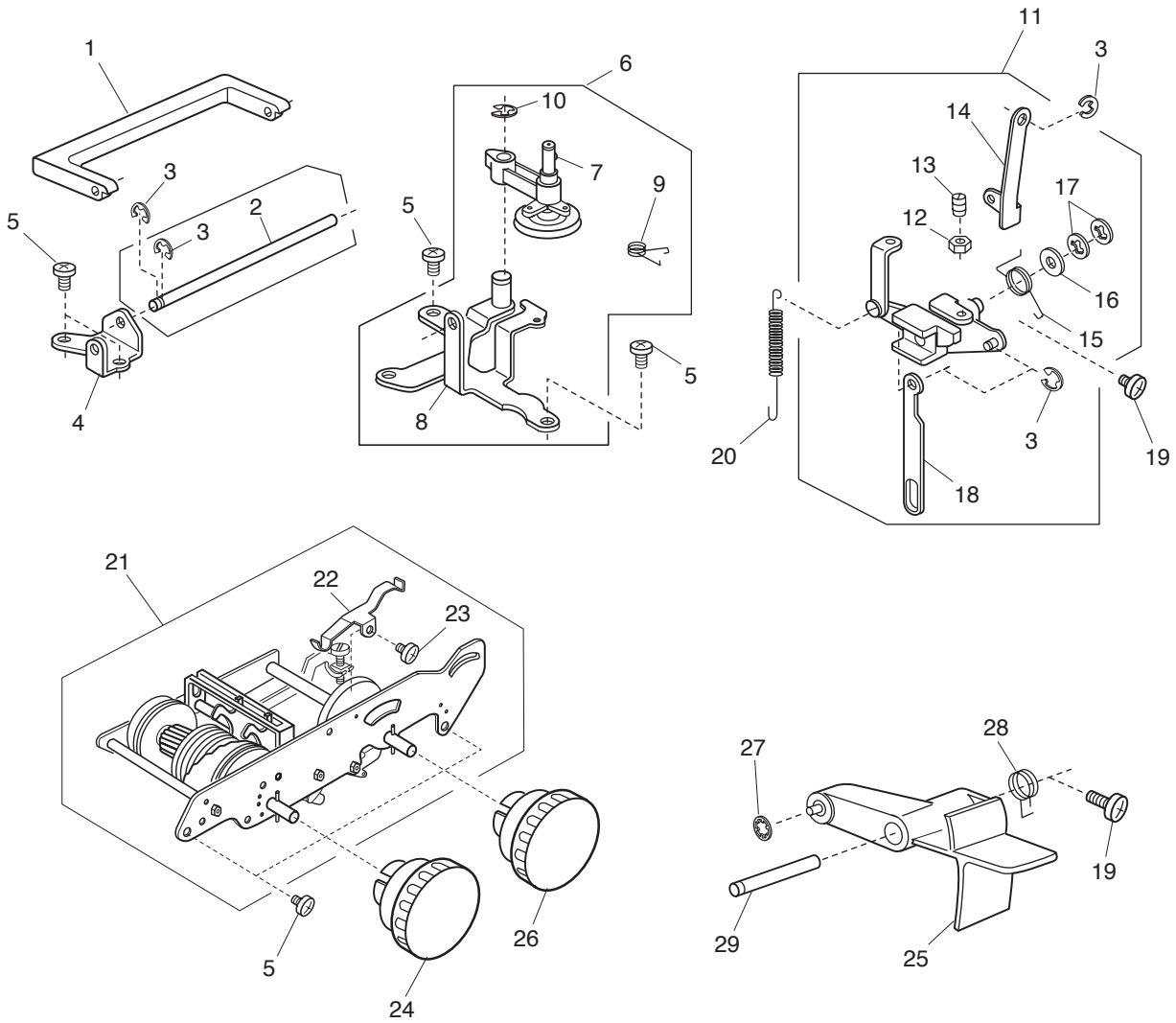




# PARTS LIST

KEY NO.	PARTS NO.	DESCRIPTION
1	304607200	UPPER SHAFT (UNIT)
2	102073003	SETSCREW
3	761052007	SETSCREW
4	000036717	THRUST WASHER
5	732025001	UPPER SHAFT FRONT BUSHING
6	639095000	RING
7	000111304	HEXAGONAL SOCKET SCREW 5X5
8	751146101	WORM
9	553245008	HEXAGONAL SOCKET SCREW 4X4
10	731312005	FELT
11	304609006	CRANK ROD (UNIT)
12	304042005	FEED CAM
13	743011008	CRANK ROD
14	304044007	CRANK CAM
15	304043006	CRANK CAM PLATE
16	000161309	TAPPING SCREW 3X12
17	000110107	HEXAGONAL SOCKET SCREW 5X5
18	732003003	UPPER SHAFT REAR BUSHING
19	000172602	SETSCREW 5X8
20	743029009	FELT
21	000030205	SNAP RING E-8
22	743019006	BELT WHEEL
23	000023803	SPRING PIN
24	743630205	HANDWHEEL (UNIT)
25	639097264	HANDWHEEL
26	743030003	BALANCE WEIGHT
27	000121400	TAPPING SCREW 3X14B
28	639113016	CLUTCH SPRING
29	000081005	SETSCREW 4X8
30	650070417	CLUTCH CAP

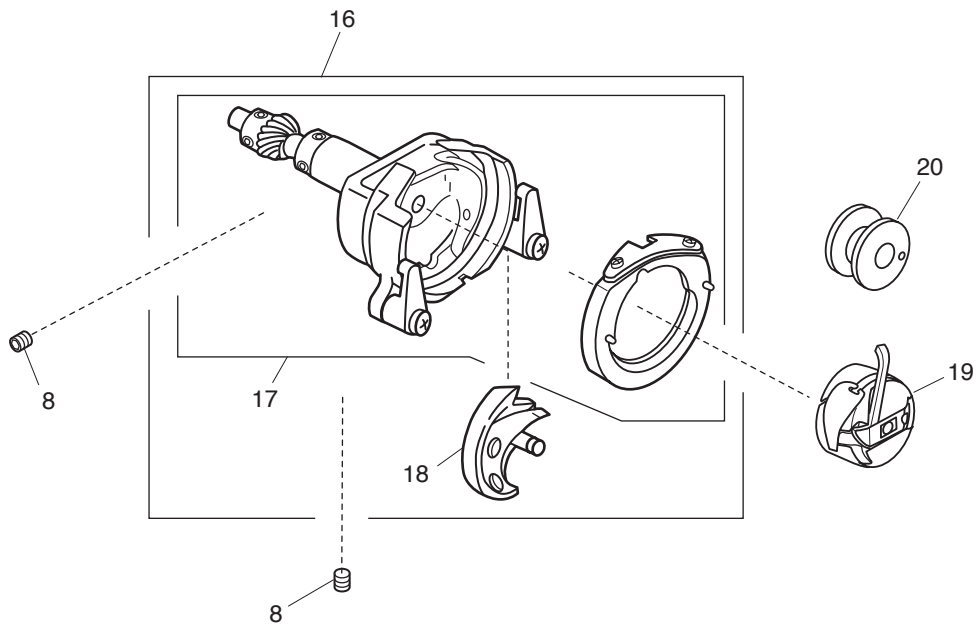
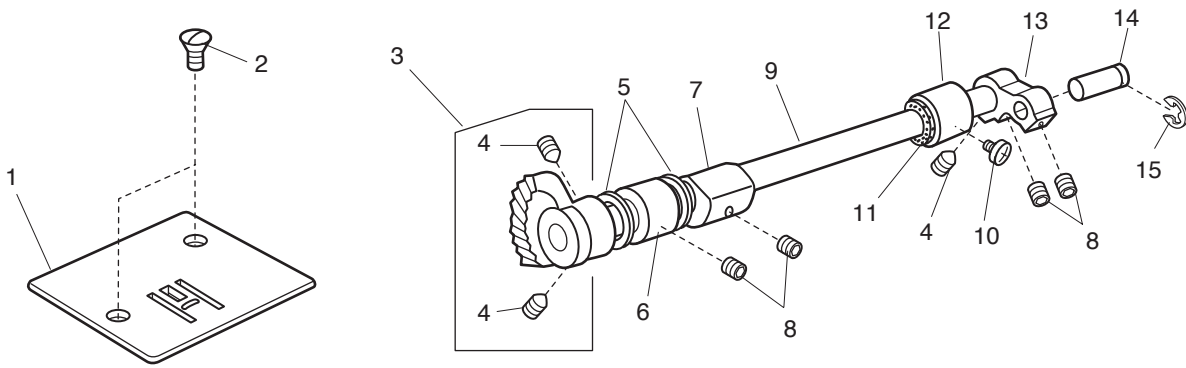
# PARTS LIST



# PARTS LIST

KEY NO.	PARTS NO.	DESCRIPTION
1	735017308	HANDLE
2	740011009	HANDLE SHAFT
3	000002105	SNAP TING E-3
4	740010008	HANDLE SUPPORTER
5	000081005	SET SCREW 4X8
6	740602209	BOBBIN WINDER BASE PLATE (UNIT)
7	735501005	BOBBIN WINDER ARM (UNIT)
8	740003101	BOBBIN WINDER BASE PLATE
9	740042009	BOBBIN WINDER ARM SPRING
10	000002806	SNAP RING E-6
11	304611104	FEED REGULATOR (UNIT)
12	000160102	ADJUSTABLE LOCK NUT 4
13	648010009	SETSCREW
14	739020007	FEED REGULATING ROD
15	735077007	FEED REGULATING BODY SPRING
16	735073003	PLAIN WASHER
17	000013800	SNAP RING CS-6
18	745052007	REVERSE LINK
19	000101301	SETSCREW 5X10
20	740125007	FEED REGULATOR SPRING
21	745606105	ZIGZAG MECHANISM (UNIT)
22	737011009	INDEX SPRING
23	000103808	SETSCREW 3X5
24	305011547	SELECTOR DIAL (PATTERN)
25	307004004	R BUTTON
26	305010362	SELECTOR DIAL (STITCH LENGTH)
27	000014007	SNAP RING CS-4
28	739063002	R BUTTON SPRING
29	736015000	R BUTTON SHAFT

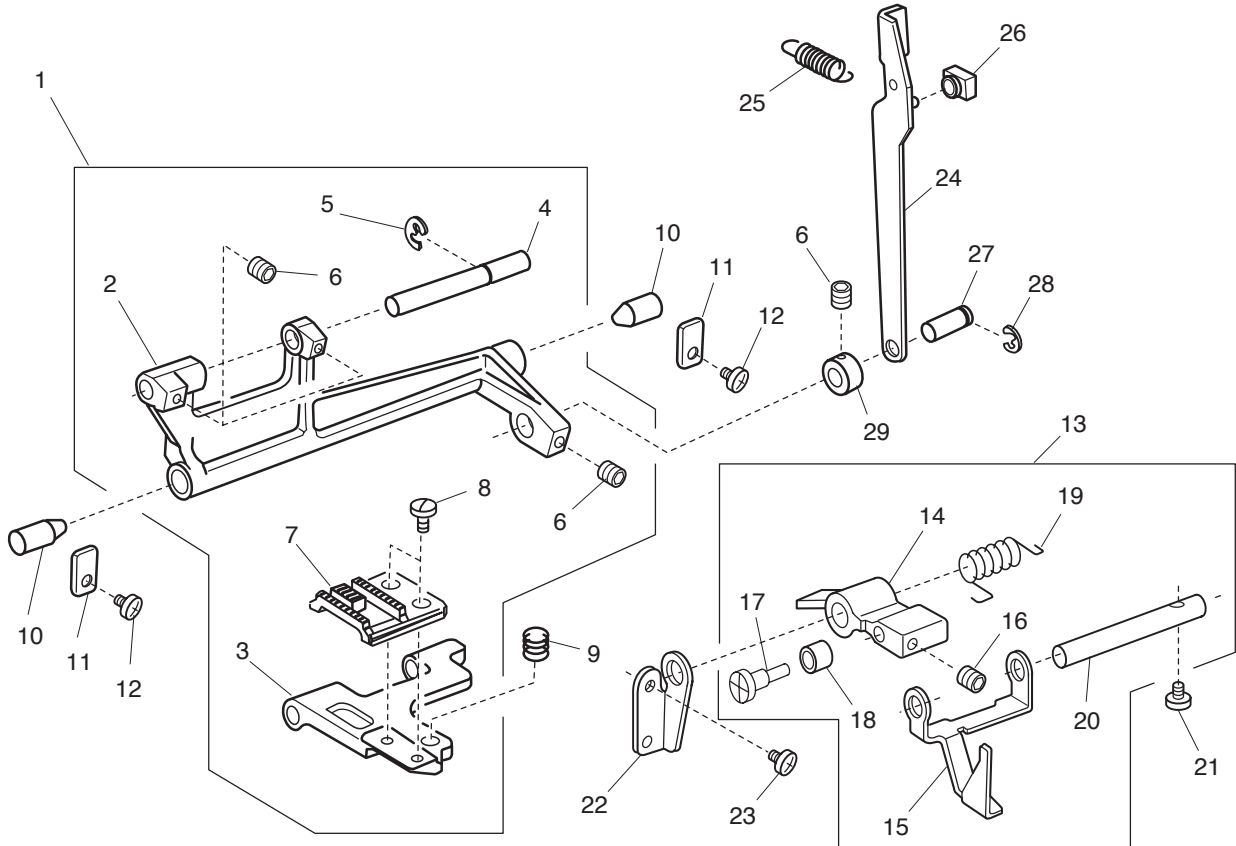
# PARTS LIST



# PARTS LIST

KEY NO.	PARTS NO.	DESCRIPTION
1	744004001	NEEDLE PLATE
2	681009101	SETSCREW
3	735950003	LOWER SHAFT GEAR (UNIT)
4	000110107	HEXAGONAL SOCKET SCREW 5X5WP
5	000036201	WASHER 8-0.5
6	735233003	BUSHING
7	735061101	FEED LIFTING CAM
8	000111304	HEXAGONAL SOCKET SCREW 5X5
9	735236006	LOWER SHAFT
10	000172602	SETSCREW 5X8
11	822070003	FELT
12	735234004	BUSHING
13	639036003	LOWER SHAFT CRANK ARM
14	639037004	PIN
15	000001609	SNAP RING E-5
16	735610101	SHUTTLE RACE BODY (UNIT)
17	532096007	SHUTTLE HOOK
18	647515006	BOBBIN CASE (UNIT)
19	102261000	BOBBIN
20	735508105	SHUTTLE RACE BODY (UNIT)

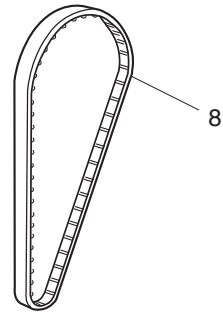
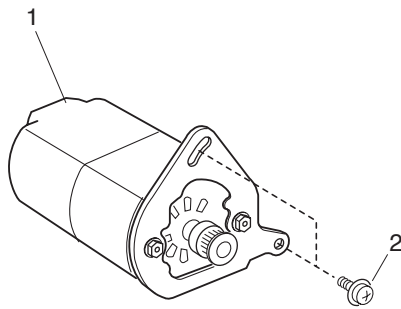
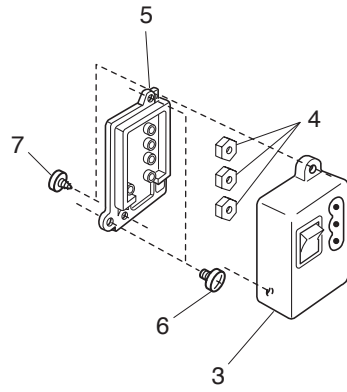
# PARTS LIST



# PARTS LIST

KEY NO.	PARTS NO.	DESCRIPTION
1	735612000	FEED ROCK SHAFT (UNIT)
2	735078008	FEED ROCK SHAFT
3	735079009	FEED BAR
4	735080003	FEED BAR SHAFT
5	000002507	SNAP RING E-4
6	000111201	HEXAGONAL SOCKET SCREW 4X4
7	735081004	FEED DOG
8	735082005	SETSCREW
9	735083006	FEED BAR SPRING
10	735084007	FEED ROCK SHAFT CENTER
11	735085008	FEED ROCK SHAFT CENTER PLATE
12	000101404	SETSCREW 4X6
13	301609007	FEED LIFTING ARM (UNIT)
14	301027005	FEED LIFTING ARM
15	740013001	DROP FEED SELECTING PLATE
16	000111201	HEXAGONAL SOCKET SCREW 4X4
17	735087000	FEED LIFTING PIN
18	735088001	FEED LIFTING ROLLER
19	730061003	FEED LIFTING SPRING
20	735090006	FEED LIFTING SHAFT
21	000101703	SETSCREW 4X12
22	739022009	FEED LIFTING SHAFT HOLDER
23	000081119	SETSCREW 4X6
24	743012009	FEED ROD
25	743013000	FEED ROD SPRING
26	102141003	FEED REGULATOR SLIDE BLOCK
27	735071104	FEED ROCK SHAFT CONNECTING PIN
28	000002806	SNAP RING E-6
29	735276008	RING

# PARTS LIST





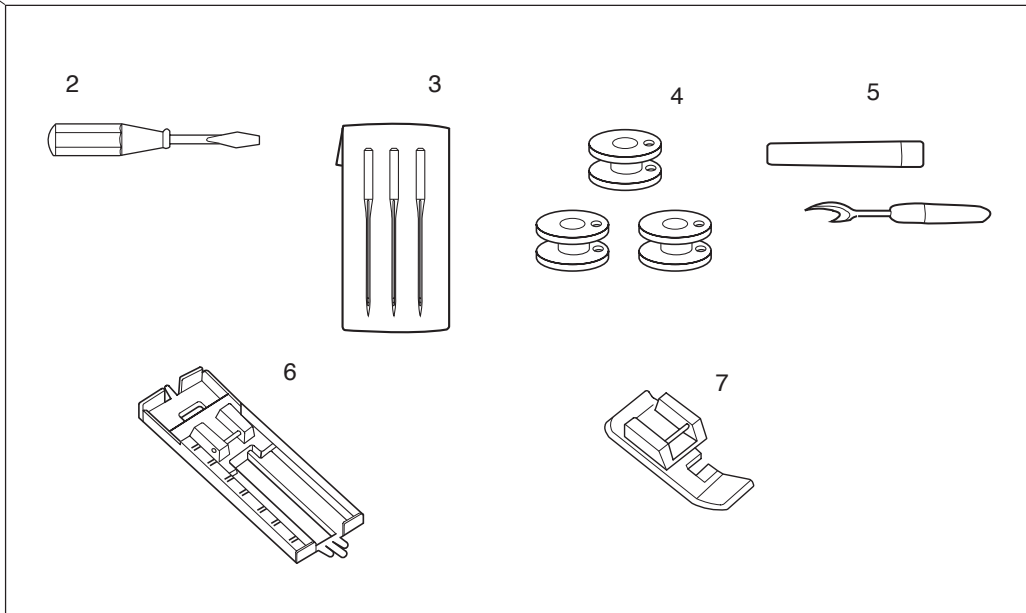
# PARTS LIST

KEY NO.	PARTS NO.	DESCRIPTION
1	743611303	MOTOR ASSY
2	000201209	SETSCREW 5X12
3	739503308	MACHINE SOCKET (UNIT)
4	000060802	NUT
5	739037007	MACHINE SOCKET COVER
6	000103509	SETSCREW 4X10
7	000107802	SETSCREW 3X10
8	650166008	MOTOR TIMING BELT

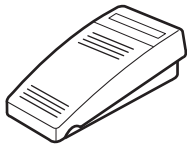
**PREFISSO "J"**

# PARTS LIST

1



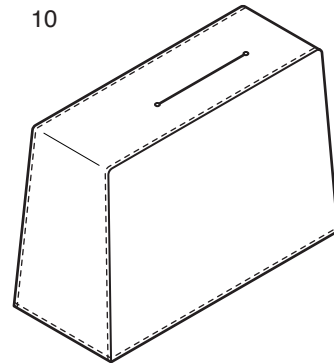
8



9



10



## PARTS LIST

KEY NO.	PARTS NO.	DESCRIPTION
1	307870054	ACCESSORY SET
2	647803004	SMALL SCREWDRIVER
3	639804000	NEEDLE SET
4	102261000	BOBBIN
5	647808009	SEAM RIPPER
6	611413002	BUTTONHOLE FOOT
7	611406002	ZIPPER FOOT
8	042970402	FOOT CONTROL
9	307800352	INSTRUCTION BOOK
10	741811000	DUST COVER

**PREFISSO "J"**