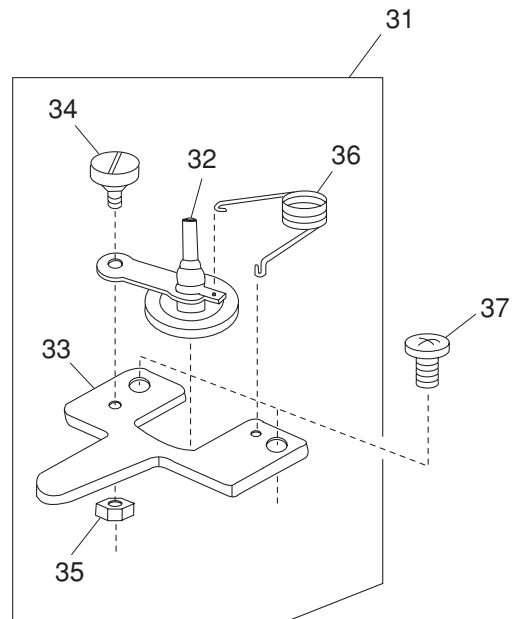
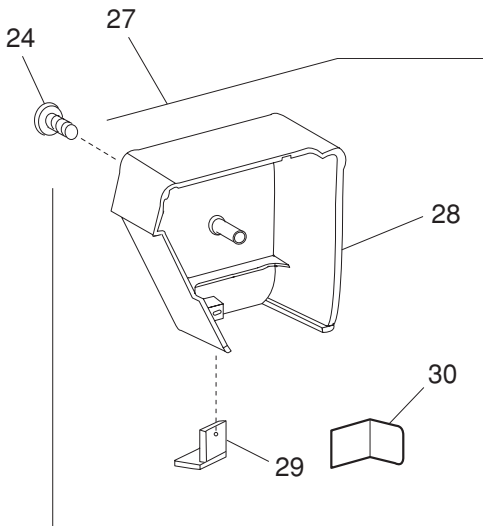
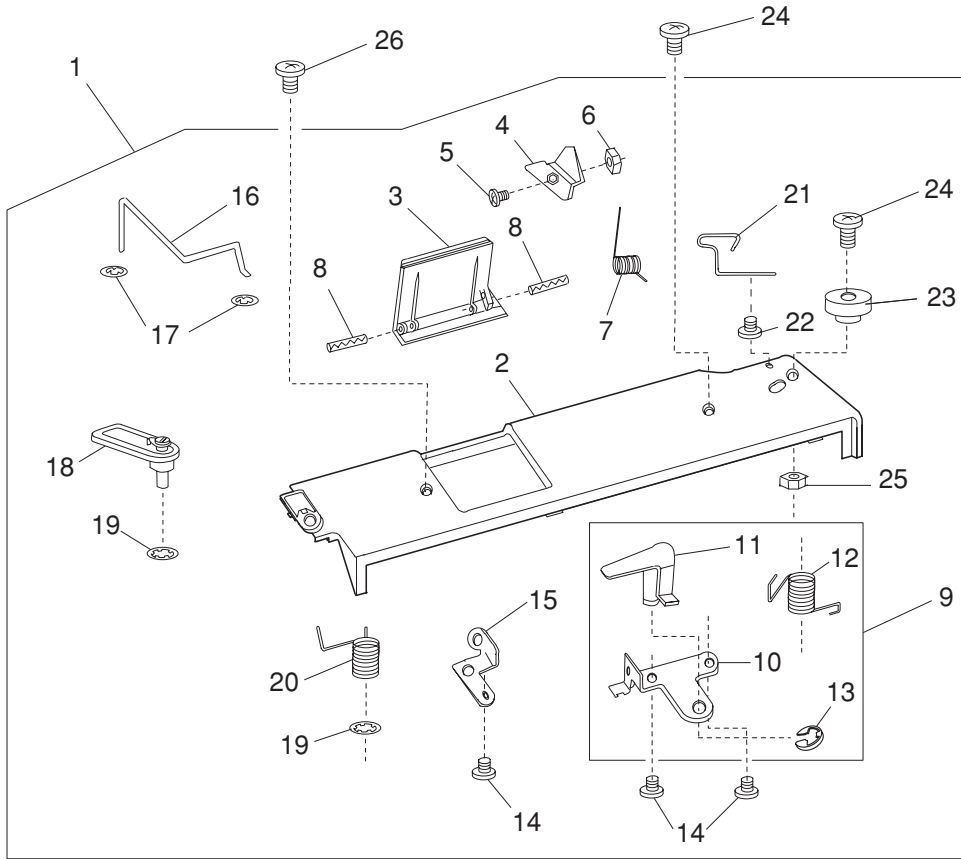


PARTS LIST

MODEL: NECCHI 208

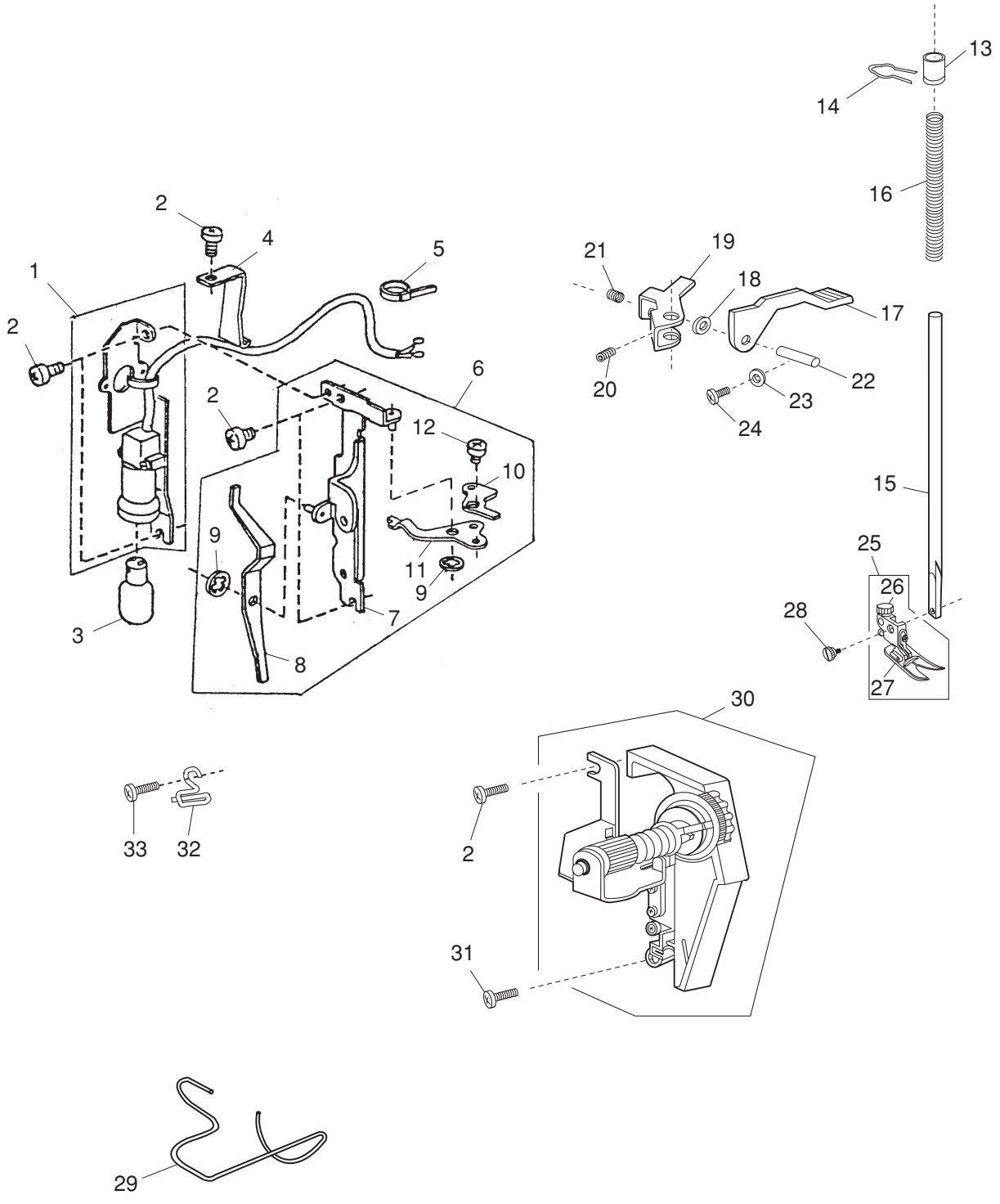
PARTS LIST



PARTS LIST

KEY NO.	PART NO.	DESCRIPTION
1	803601309	Top cover (unit)
2	803002038	Top cover
3	PREFISSO "J" 803003028	Top cover lid
4	673009003	Top cover lid set plate
5	000101507	Setscrew 3.5x5
6	000062701	Nut 3.5-3-6
7	670011009	Top cover lid spring
8	PREFISSO "J" 000005603	Spring pin 3-14
9	803615007	Lid hinge (right) (unit)
10	PREFISSO "J" 803075009	Lid hinge (right)
11	803056015	Lid release lever
12	672009000	Lid release lever spring
13	000002507	Snap ring E-4
14	000149002	Setscrew 3x10
15	PREFISSO "J" 803004007	Lid hinge (left)
16	803090000	Top cover thread guide
17	000014100	Snap ring CS-2
18	PREFISSO "J" 650503702	Top cover thread guige (unit)
19	000014409	Snap ring CS-8
20	803005008	Spring
21	PREFISSO "J" 731004001	Top cover thread guide
22	000109000	Tapping screw 3x6
23	652016101	Bobbin winder stopper
24	000104119	Setscrew 4x20
25	PREFISSO "J" 000061205	Nut 4-3-7
26	000103222	Setscrew 4x30
27	803603024	Face plate (unit)
28	803007022	Face plate
29	PREFISSO "J" 840602006	Thread cutter (unit)
30	366076000	Face plate sticker
31	803602001	Bobbin winder (unit)
32	803507005	Bobbin winder arm (unit)
33	803006009	Bobbin winder base plate
34	535037009	Hinge screw
35	553088104	Nut
36	730019006	Bobbin winder arm spring
37	000081005	Setscrew 4x8

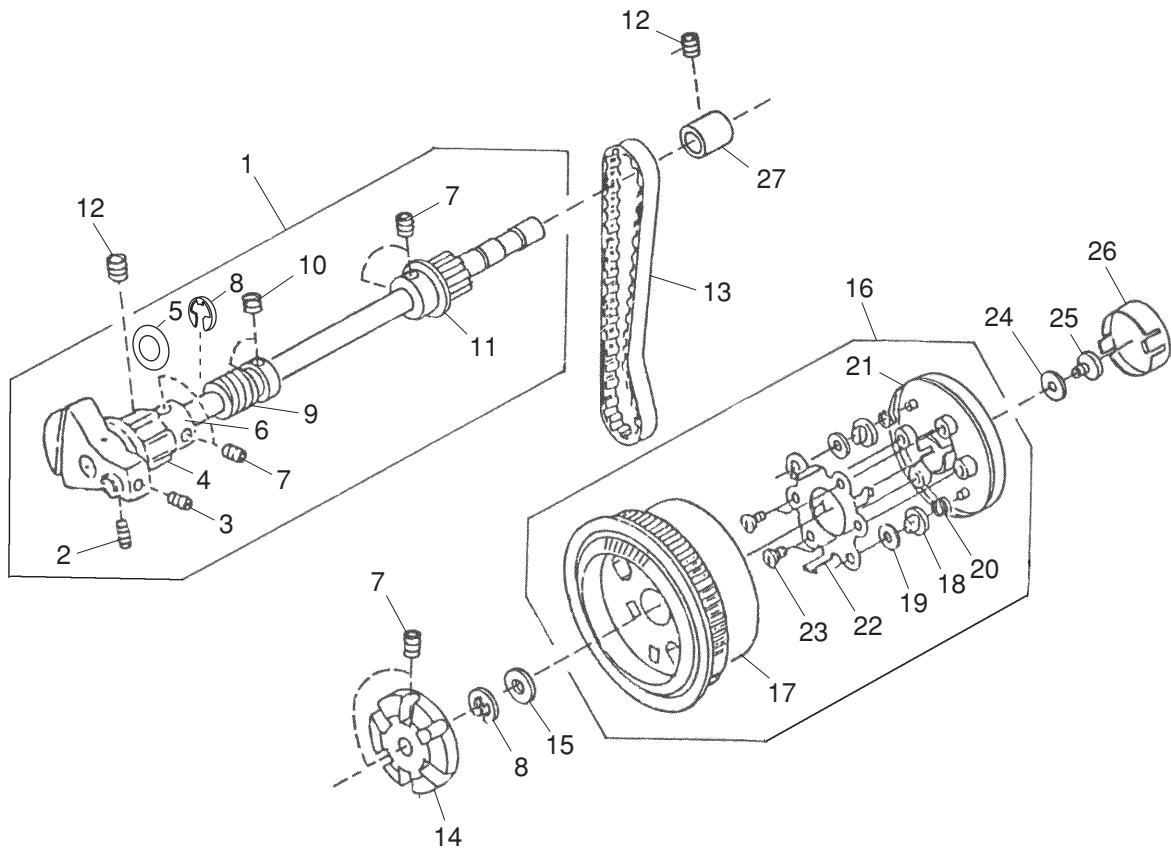
PARTS LIST



PARTS LIST

KEY NO.	PART NO.	DESCRIPTION
1	731503108	Lamp socket (unit)
2	000101404	Setscrew 4x6
3	000009009	Light bulb 240V 15W
4	803072006	Cord holder
5	000053008	Cord binder
6	803614006	Front base plate (unit)
7	731099003	Front base plate
8	730029009	Tension release lever
9	000013903	Snap ring CS-5
10	803054002	Tension release plate(1)
11	734014003	Tension release plate(2)
12	000103808	Setscrew 3x5
13	802021007	Presser bar bushing (upper)
14	802022008	Snap retainer
15	102801008	Presser bar
16	730026006	Presser bar spring
17	822071004	Presser bar lifter
18	822064004	Felt holder (2)
19	822069009	Presser bar bracket
20	000111500	Hexagonal socket screw 4x8
21	102222009	Darner spring
22	822072005	Presser bar lifter pin
23	000072302	Washer 4
24	000103509	Setscrew 4x10
25	685503010	Presser foot (unit)
26	804509000	Presser foot holder (unit)
27	685502019	Zigzag foot (unit)
28	647112009	Thumb screw
29	687803008	Finger guard
30	803503207	Thread tension (unit)
31	000101703	Setscrew 4x12
32	731009006	Arm thread guide
33	000100300	Setscrew 3.5x5

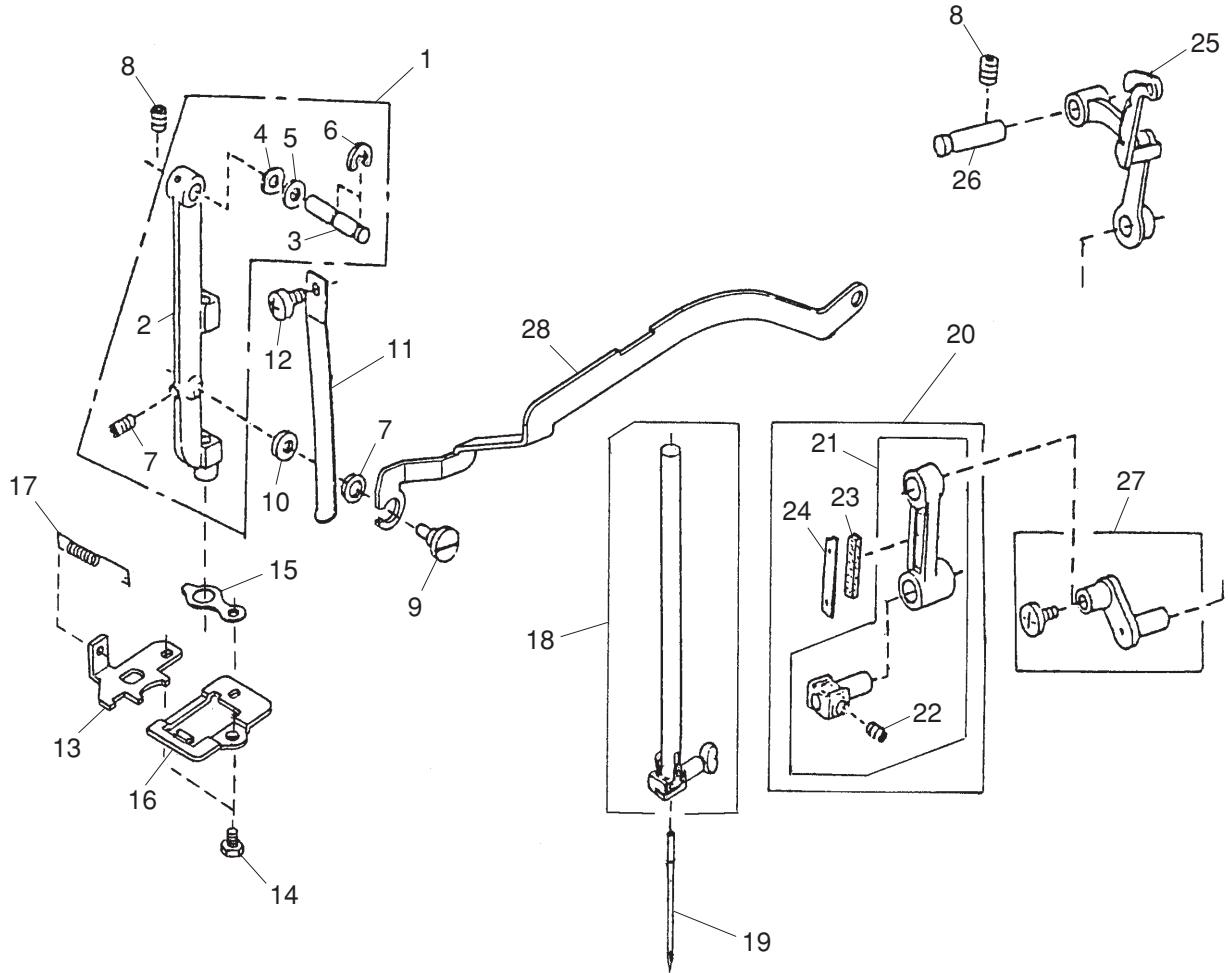
PARTS LIST



PARTS LIST

KEY NO.	PART NO.	DESCRIPTION
1	803605004	Upper shaft (unit)
2	102073003	Setscrew
3	PREFISSO "J" 102063000	Setscrew
4	732025001	Upper shaft front bushing
5	000038605	Washer
6	673063016	Ring
7	000111304	Hexagonal socket screw 5x5
8	PREFISSO "J" 000030205	Snap ring E-8
9	673064006	Worm
10	PREFISSO "J" 553245008	Hexagonal socket screw
11	756017004	Upper shaft gear
12	000111108	Hexagonal socket screw 4x6
13	733008012	Timing belt
14	732027003	Balance wheel bushing
15	PREFISSO "J" 000036706	Thrust washer FT-100
16	803621109	Balance wheel (unit)
17	803078105	Balance wheel
18	PREFISSO "J" 650065006	Clutch pin
19	000036201	Thrust washer FT-80
20	650066007	Clutch pin spring
21	650067503	Clutch knob
22	PREFISSO "J" 650068009	Clutch spring
23	000107307	Tapping screw 3x8 (B)
24	000070609	Washer
25	000101608	Setscrew 5x6
26	650070509	Clutch cap
27	732003003	Uppershaft rear bushing

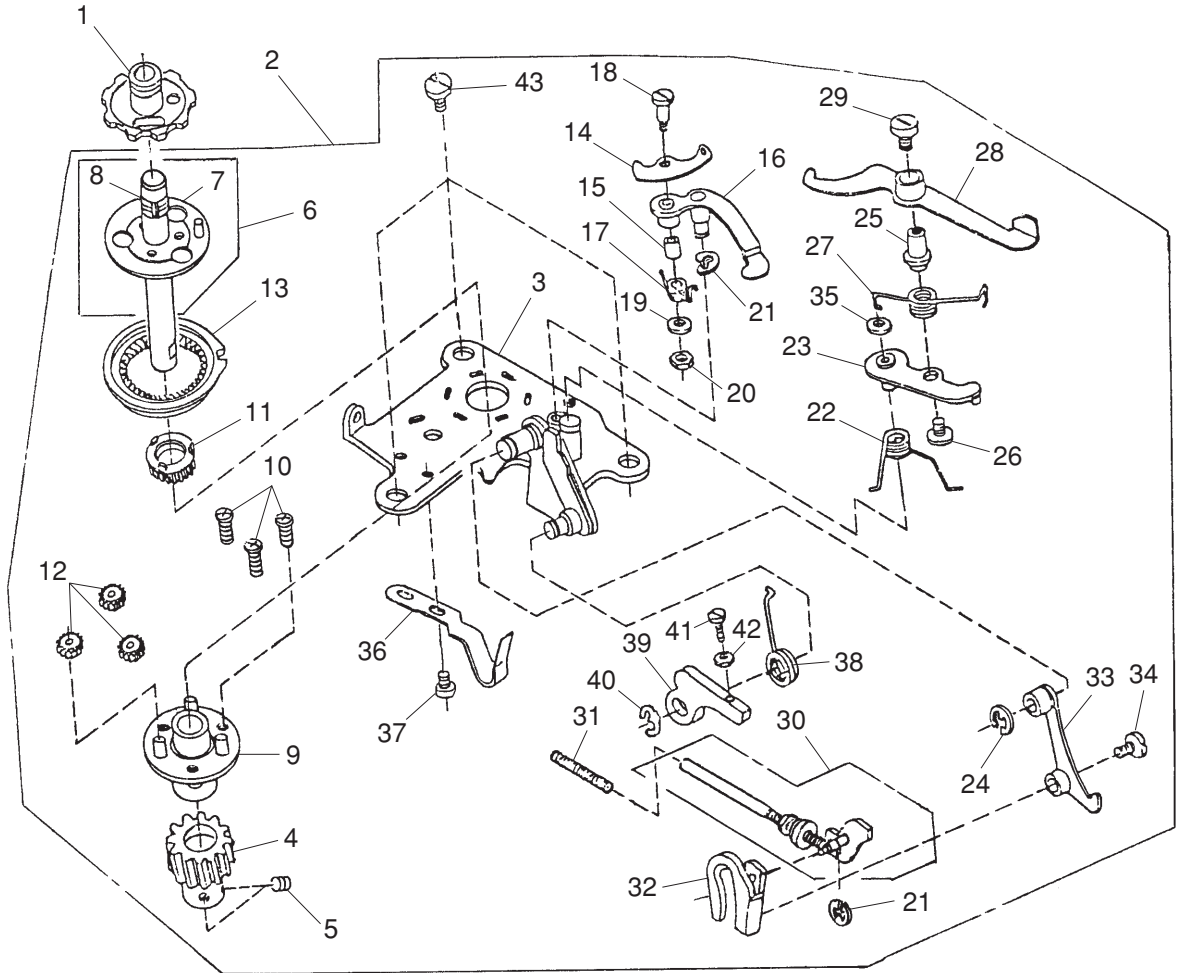
PARTS LIST



PARTS LIST

KEY NO.	PART NO.	DESCRIPTION
1	749646006	Needle bar supporter (unit)
2	749075008	Needle bar supporter
3	730022002	Needle bar supporter pin
4	673022002	Waving washer
5	000070609	Plain washer 6
6	000002507	Snap ring E-4
7	000111902	Hexagonal socket screw 3x4
8	000111304	Hexagonal socket screw 5x5
9	678084007	Eccentric pin
10	748021006	Plain washer
11	730024004	Needle bar supporter spring
12	000101404	Setscrew 4x6
13	803008001	Needle bar supporter stopper
14	000066303	Bolt 4x6
15	803009002	Needle bar supporter guide plate
16	803069000	Needle bar supporter adjusting plate
17	732064002	Needle bar supporter stopper spring
18	803622007	Needle bar (unit)
19	102408089	Needle HA-1-14
20	803613005	Needle bar connecting stud (unit)
21	803504002	Needle bar connecting stud (unit)
22	000111201	Hexagonal socket screw 4x4
23	650040005	Felt
24	650041006	Felt holder spring
25	822512105	Take-up lever unit
26	647040108	Take-up lever pin
27	732505000	Needle bar crank pin (unit)
28	803047002	Zigzag connecting rod

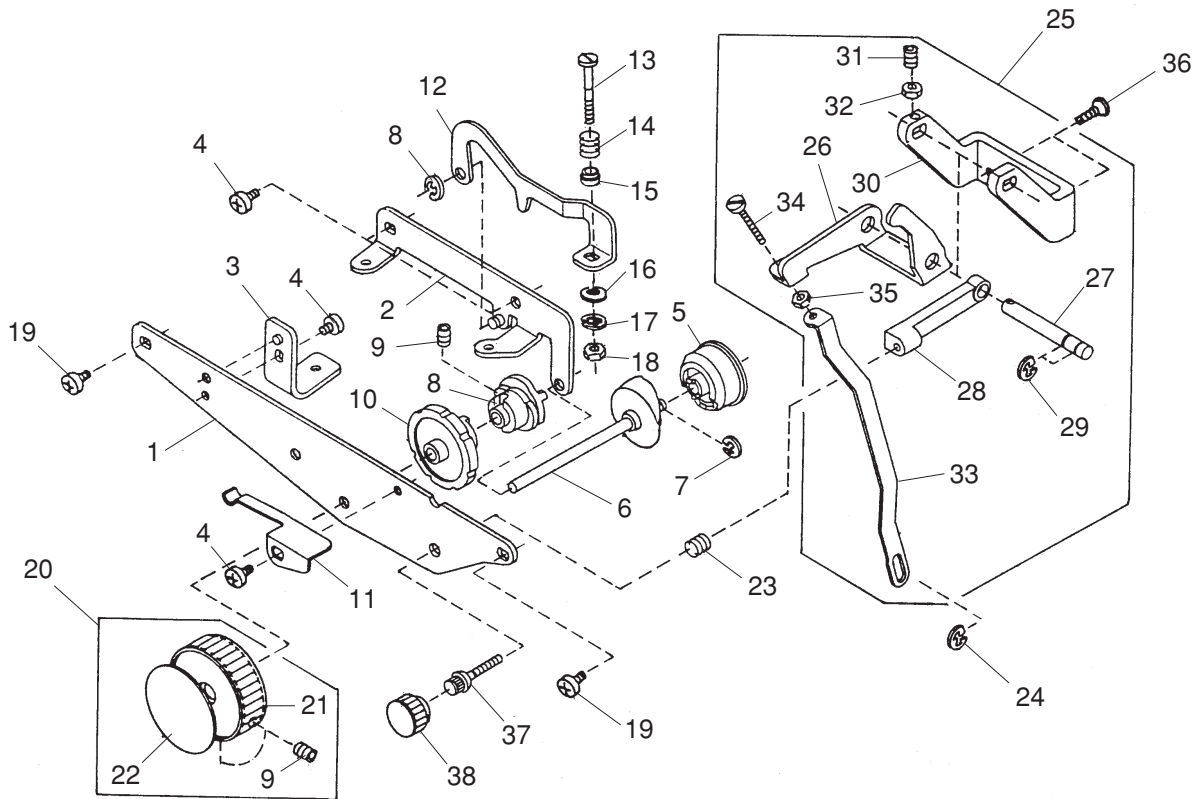
PARTS LIST



PARTS LIST

KEY NO.	PART NO.	DESCRIPTION
1	670143001	Basic cam
2	803611003	Zigzag mechnism (unit)
3	PREFISSO "J" 803505025	Zigzag mechanism base (unit)
4	672065004	Cam shaft gear
5	553245008	Setscrew
6	802643xxx	Cam shet (unit)
7	802544012	Cam shaft (unit)
8	PREFISSO "J" 802164003	Cam shaft ring
9	802545013	Cam shaft bushing (unit)
10	PREFISSO "J" 000068006	Setscrew 3x8
11	802157003	Gear
12	802158004	Gear
13	802159005	Gear
14	673143000	Cam follower
15	PREFISSO "J" 672070002	Cam follower ring
16	673305002	Cam follower holder
17	672069008	Cam follower spring
18	PREFISSO "J" 672071003	Hinge screw
19	672072004	Plain washer
20	553143005	Nut
21	000002507	Snap ring E-4
22	PREFISSO "J" 672075007	Cam follower holder spring
23	673303000	Cam follower holder
24	000002806	Snap ring E-6
25	PREFISSO "J" 672079001	Cam follower holder pin
26	672086001	Setscrew
27	672077009	Cam follower spring
28	803058006	Cam follower
29	672080005	Setscrew
30	PREFISSO "J" 802530004	ZZ connecting rot (unin)
31	670151002	ZZ connecting spring
32	PREFISSO "J" 802116000	ZZ connecting arm
33	803067008	Needle position reg. arm
34	553069006	Setscrew
35	000014409	Snap ring CS-8
36	672088003	Needle position reg. spring
37	PREFISSO "J" 000115401	Setscrew
38	672090008	Lever arm spring
39	672091009	BH stopper arm
40	000001609	Snap ring E-5
41	672093001	Setscrew
42	553143005	Nut
43	672062001	Setscrew

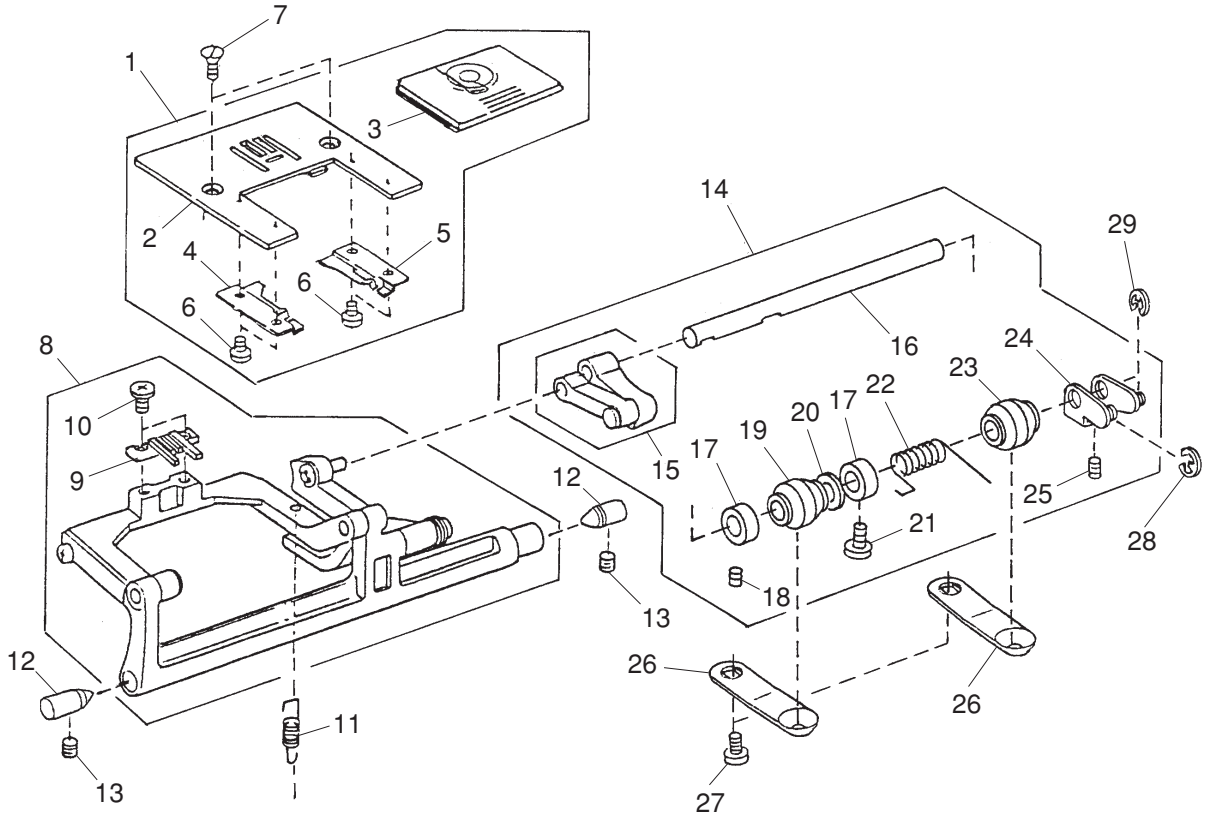
PARTS LIST



PARTS LIST

KEY NO.	PART NO.	DESCRIPTION
1	803029008	Stitch control base (1)
2	803030002	Stitch control base (2)
3	803071005	Stitch control base (3)
4	000081119	Setscrew 4x6
5	803033005	BH width regulating cam
6	803034006	SS selecting cam
7	000002507	Snap ring E-4
8	803035007	Needle position reg. cam
9	000111201	Hexagonal socket screw 4x4
10	803036008	Selector index cam
11	803037009	Selector index spring
12	803038000	BH feed regulating arm
13	589039008	BH feed adjusting screw
14	598040002	BH feed spring
15	560197006	BH feed spring holder
16	000071013	Plain washer 4
17	000001207	Snap ring E-2.5
18	532126007	Nut
19	000101404	Setscrew 4x6
20	803620016	Selector dial (unit)
21	803017003	Dial
22	803128008	Dial indicating plate
23	803126006	BH feed spring
24	000000309	Snap ring E -40
25	803612004	Feed regulator arm (unit)
26	803040005	Feed regulator arm
27	803041006	Feed regulator arm shaft
28	803076000	Feed regulating rod
29	000001609	Snap ring E-5
30	803043008	Feed regulator arm base
31	000111809	Hexagonao socket screw 3x10
32	000063104	Nut 3-2-5.5
33	803045000	SS rod
34	734076003	SS adjusting screw
35	000160102	Adjustable lock nut 4
36	000069432	Setscrew 4x10
37	673162005	Feed balance lead screw
38	803046126	Feed balancing dial

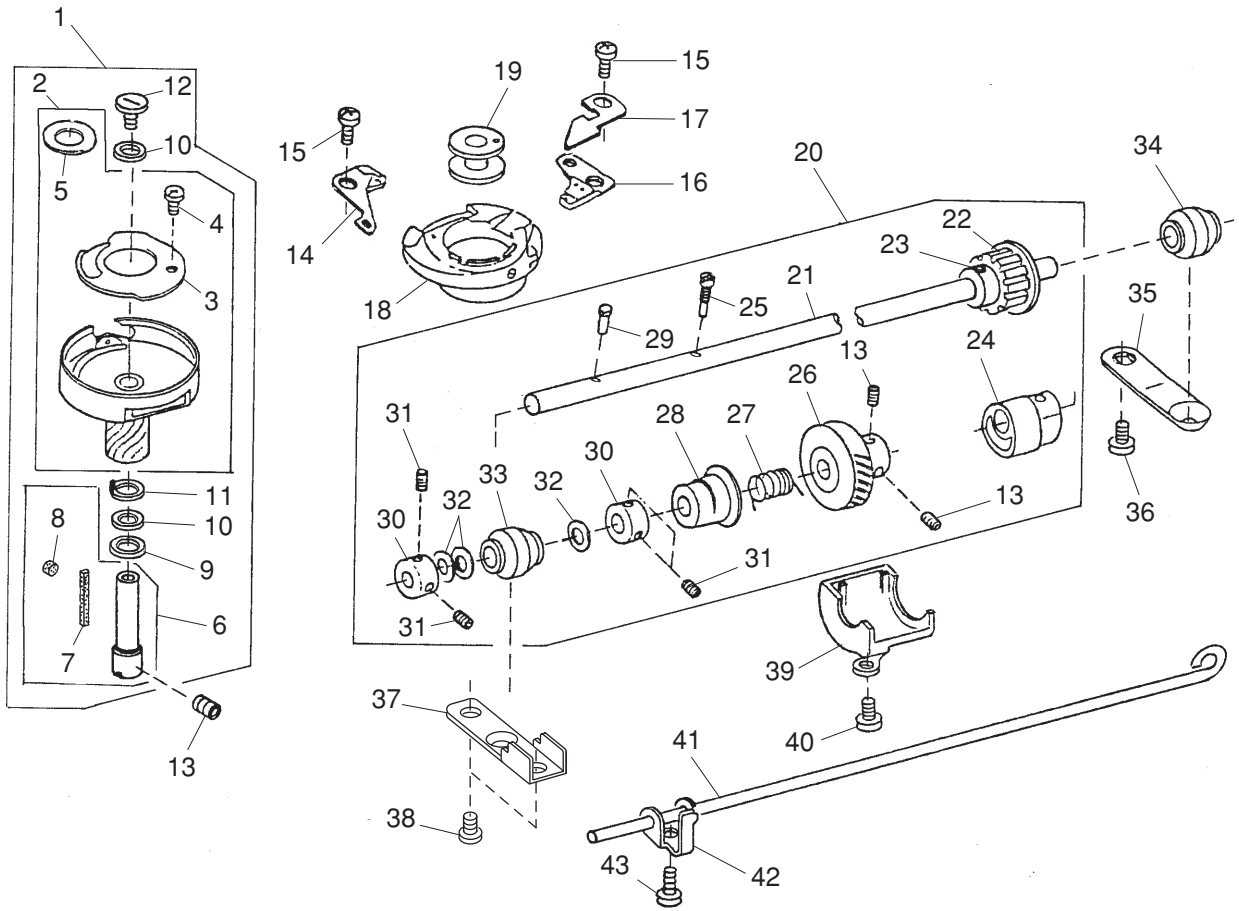
PARTS LIST



PARTS LIST

KEY NO.	PART NO.	DESCRIPTION
1	803604003	Needle plate (unit)
2	803010109	Needle plate
3	PREFISSO "J" 732013202	Slide plate
4	732014007	Slide plate holder (left)
5	732015008	Slide plate holder (right)
6	820374004	Setscrew 2x2.3
7	681009101	Setscrew
8	PREFISSO "J" 803609008	Feed rock shaft (unit)
9	652109009	Feed dog
10	PREFISSO "J" 000104005	Setscrew 3.5x8
11	650085002	Feed bar spring
12	738055008	Center screw
13	PREFISSO "J" 000111304	Hexagonal socket screw 5x5
14	803607006	Feed regulating shaft (unit)
15	650612004	Feed regulator (unit)
16	PREFISSO "J" 732037006	Feed regulating shaft
17	820387000	Ring
18	PREFISSO "J" 000111201	Hexagonal socket screw 4x4
19	732039008	Feed reg. Shaft bushing (front)
20	625102008	Plain washer
21	000069605	Setscrew 4x8
22	PREFISSO "J" 507095008	Feed regulator spring
23	732040002	Feed reg. Shaft bushing(rear)
24	803014000	Feed reg. Shaft plate
25	000111108	Hexagonal socket screw 4x8
26	732035004	Bushing holding plate
27	000101208	Setscrew 5x6
28	000000309	Snap ring E-40 (I)
29	000002105	Snap ring E-3

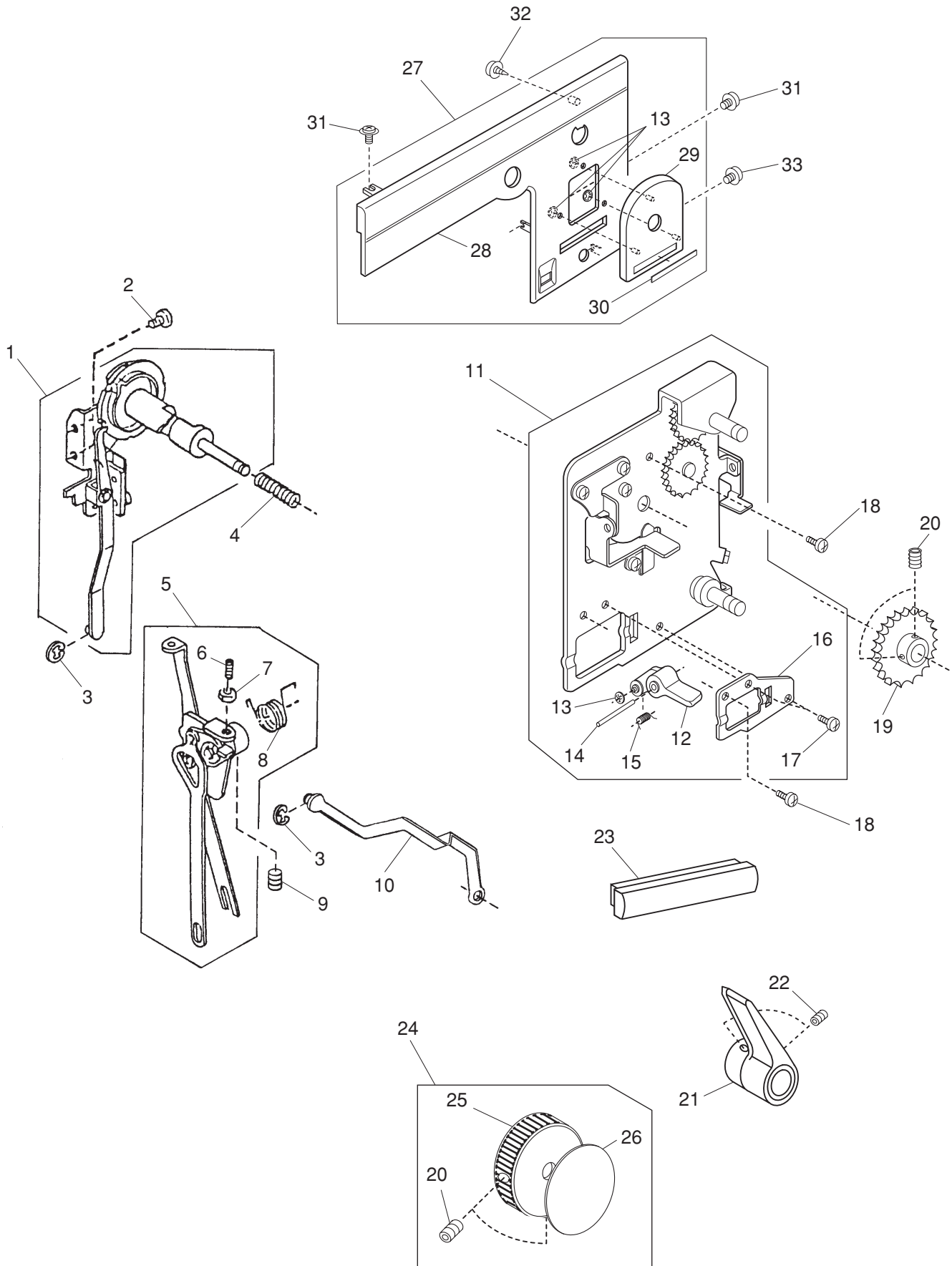
PARTS LIST



PARTS LIST

KEY NO.	PART NO.	DESCRIPTION
1	732611103	Hook (unit)
2	652623004	Hook unit
3	PREFISSO "J" 627191000	Hook bottom plate
4	820374004	Setscrew 2x2.3
5	627190010	Magnet
6	625613100	Hook deiver shaft (unit)
7	625101007	Hook driver shsft oil felt
8	820125008	Oil felt (2)
9	625102008	Plain washer
10	000038409	Washer
11	PREFISSO "J" 627192001	Hook driver shaft wasjer (1)
12	625103009	Hook deiver shaft lid
13	000111304	Hexagonal socket screw 5x5
14	627179013	Bobbin holder stopper
15	810220003	Setscrew
16	PREFISSO "J" 627567001	Bobbin holder stopper (unit)
17	732099006	Stopper cover plate
18	627569106	Bobbin holder (unit)
19	102261000	Bobbin
20	PREFISSO "J" 732610009	Lower shaft (unit)
21	732032001	Lower shaft
22	650073007	Lower shaft timing gear
23	000004200	Spring pin 3x18
24	PREFISSO "J" 823026111	Feed cam
25	000149600	Setscrew 3x14
26	PREFISSO "J" 650076000	Lower shaft gear
27	686035008	Feed lifting cam spring
28	753183025	Feed lifting cam
29	820161006	Feed lifting pin
30	820166001	Ring
31	PREFISSO "J" 000111201	Hexagonal socket screw 4x4
32	000038502	Washer
33	732034003	Lower shaft bushing
34	PREFISSO "J" 732034003	Lower shaft bushing (rear)
35	732035004	Bushing holding plate
36	000101208	Setscrew 5x6
37	749014009	Bushing holding plate
38	000198202	Setscrew 5x5
39	PREFISSO "J" 732036005	Gear box lid
40	000081005	Setscrew 4x8
41	732051006	Plunger rod
42	732052007	Drop feed selecting plate
43	000078319	Setscrew 3x6

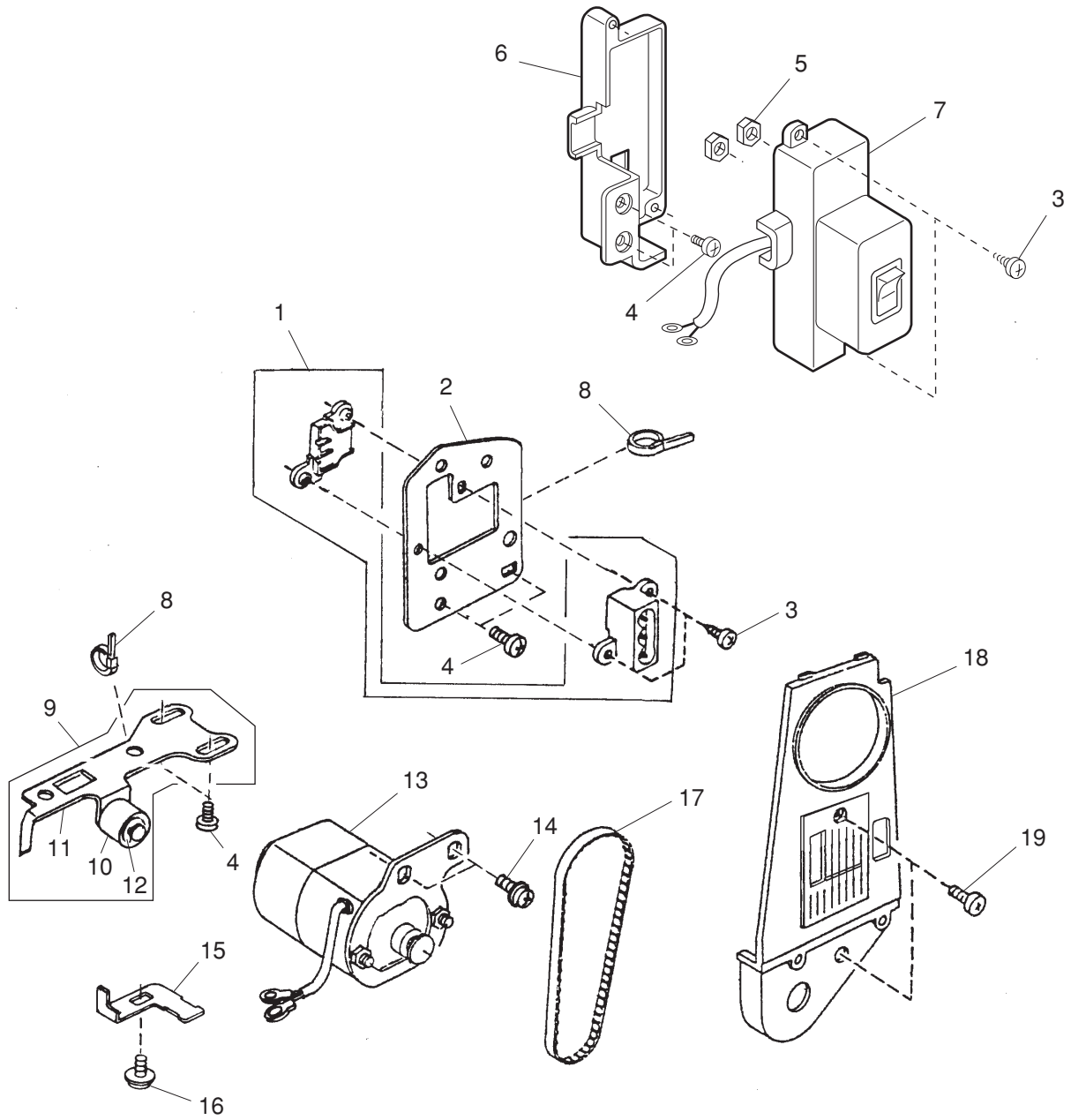
PARTS LIST



PARTS LIST

KEY NO.	PART NO.	DESCRIPTION
1	803617102	Feed adjusting cam (unit)
2	000101404	Setscrew 4x6
3	000002105	Snap ring E-3
4	731029002	Feed dial spring
5	803608100	Feed adjusting arm (unit)
6	000177308	Hexagonal socket screw 4x6
7	000160102	Adjustable lock nut 4
8	803134007	Feed regulating body spring
9	000111304	Hexagonal socket screw 5x5
10	803118005	Zigzag width adjusting rod
11	803624009	Zigzag width adjusting base (unit)
12	803115002	R button
13	000014007	Snap ring CS-4
14	730015002	Handle shaft
15	803116003	R button spring
16	803117004	R button supporter
17	000103808	Setscrew 3x5
18	000081005	Setscrew 4x8
19	803103100	Gear
20	000111201	Hexagonal socket screw 4x4
21	803119006	Zigzag width adjusting lever
22	000110107	Hexagonal socket screw 5x5
23	803120000	Button
24	803616019	Stitch length dial (unit)
25	803017003	Dial
26	803127007	Stitch length indication plate
27	803626001	Front cover (unit)
28	803121403	Front cover
29	803122002	Stitch length dial frame
30	803129009	Zigzag width indication plate
31	000115205	TP setscrew 4x6
32	000149002	Setscrew 3x10
33	000114709	TP setscrew 3x6

PARTS LIST



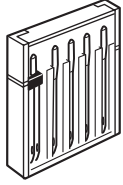
PARTS LIST

KEY NO.	PART NO.	DESCRIPTION
1	730507109	Machine socket (unit)
2	803125005	Machine socket base
3	000121400	Setscrew 3x14 (B)
4	000081005	Setscrew 4x8
5	000060802	Nut
6	731399006	Switch cover
7	803513107	Power supply switch case (unit)
8	000053008	Cord bander
9	732609016	Idler (unit)
10	625217100	Idler
11	732030010	Idler base
12	000002806	Snap ring E-4
13	M-2111	Motor (unit)
14	000115504	TP setscrew 5x10
15	803073007	Motor holding plate
16	000115607	TP setscrew 4x8
17	803079003	Timing belt
18	733002522	Belt cover
19	000104119	Setscrew 4x20

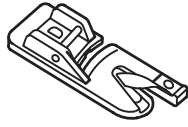
PARTS LIST

1

2



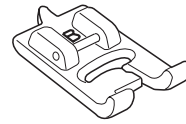
3



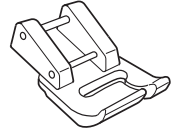
4



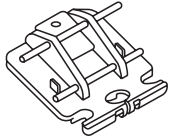
5



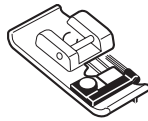
6



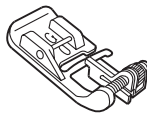
7



8



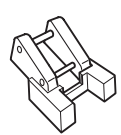
9



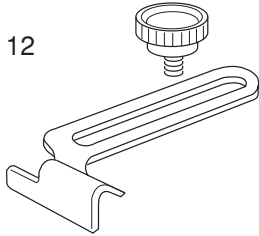
10



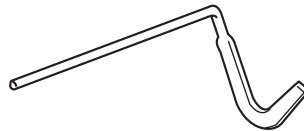
11



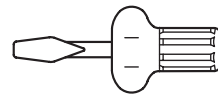
12



13



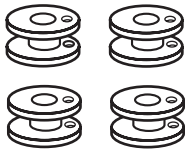
14



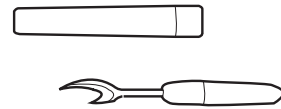
15



16



17



18



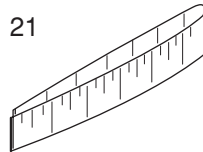
19



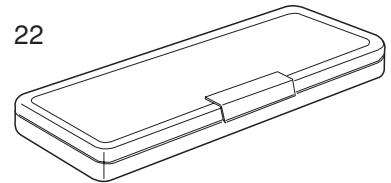
20



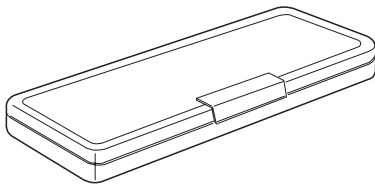
21



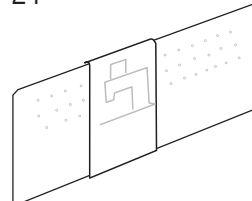
22



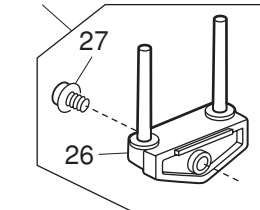
23



24



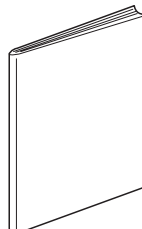
25



28



29



PARTS LIST

KEY NO.	PART NO.	DESCRIPTION
1	803870013	Accessory sey
2	820827007	Needle set (unit)
3	820809014	Hemmer foot (unit)
4	820819006	Cording foot (unit)
5	820801016	Button hole foot (unit)
6	820815002	Applique foot (unit)
7	820811008	Zipper foot (unit)
8	820804019	Overedge foot (unit)
9	820817015	Blind hem foot (unit)
10	822804118	Satin stitch foot (unit)
11	802406011	Button foot (unit)
12	102420009	Ruler
13	802422002	Quilter
14	820832005	Screw driver (large)
15	647803004	Screw driver (small)
16	102261000	Bobbin
17	647808009	Seam ripper
18	102403109	Felt
19	802424004	Lint brush
20	822814007	Scissors
21	803808009	Tape measure
22	802454003	Cam case (unit)
23	802466019	Cam case (unit)
24	803809000	Quick chart (unit)
25	803869008	Spool stand (unit)
26	731006209	Spool stand
27	000115700	TP setscrew 4x10
28	C-2037-1	Foot control
29	803800506	Instruction book