

# N178

---

拟制日期: 2019.08.13

版本编号: A

---

△4x

---

△3x

---

△2x

---

△1x

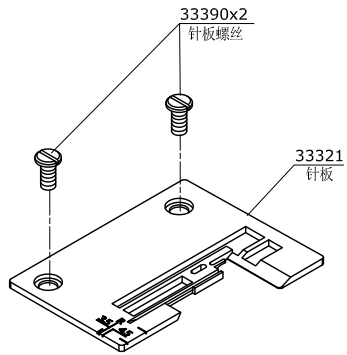
---

修订处数    修订编号    担当    日期

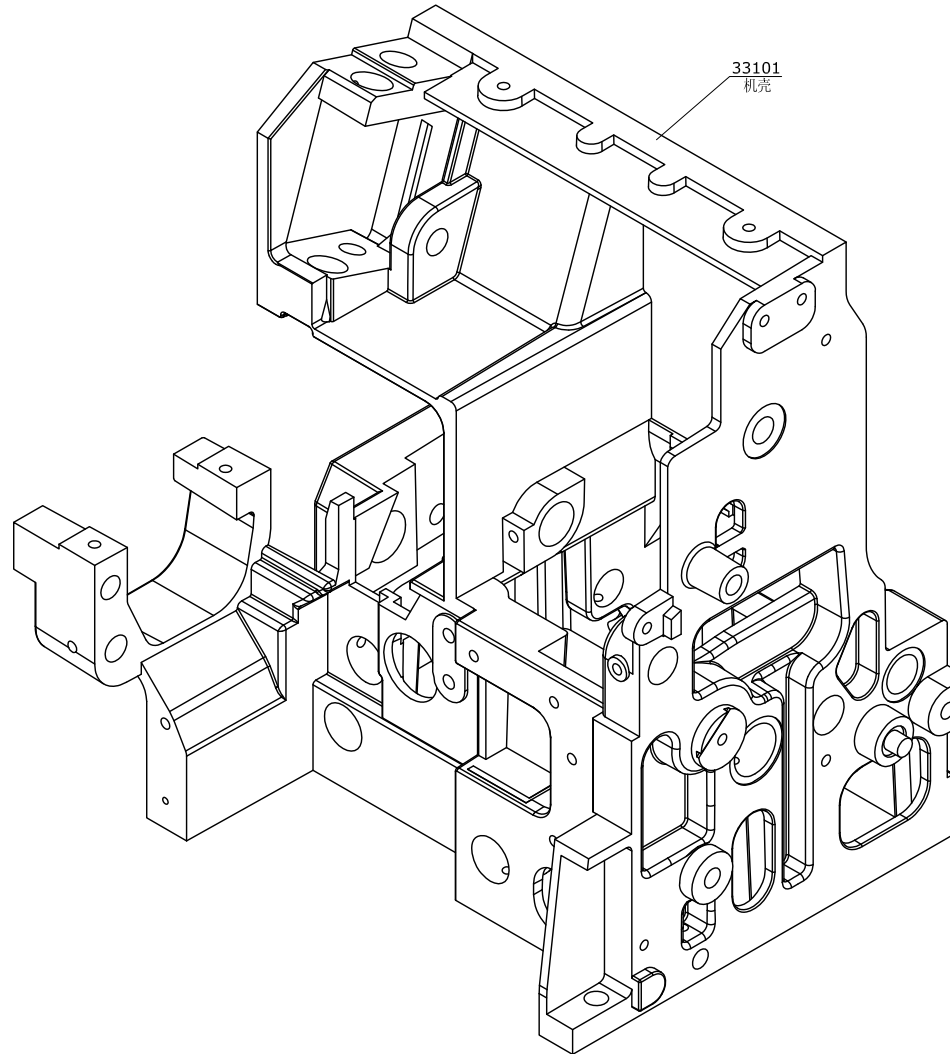
---

**(Usare prefisso AC ai codici sotto)**

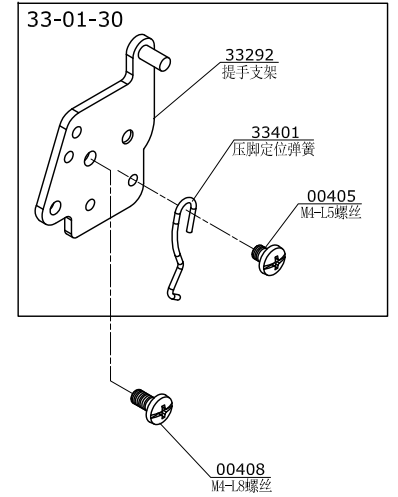
33-01-10-00



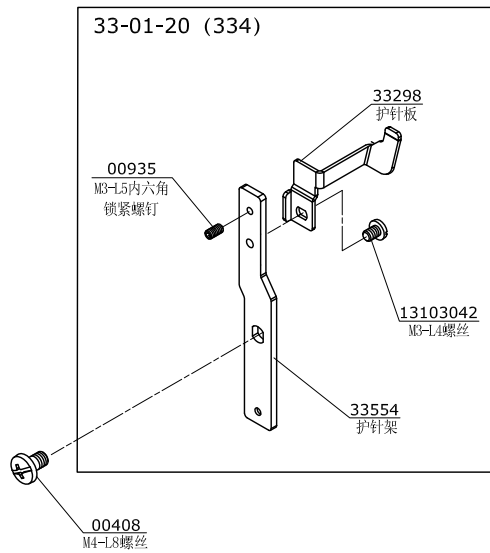
33-01-00-00



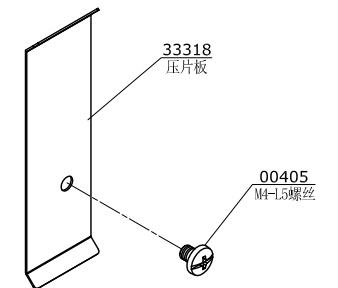
33-01-30-00



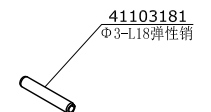
33-01-20-00 (334)



33-01-40-00

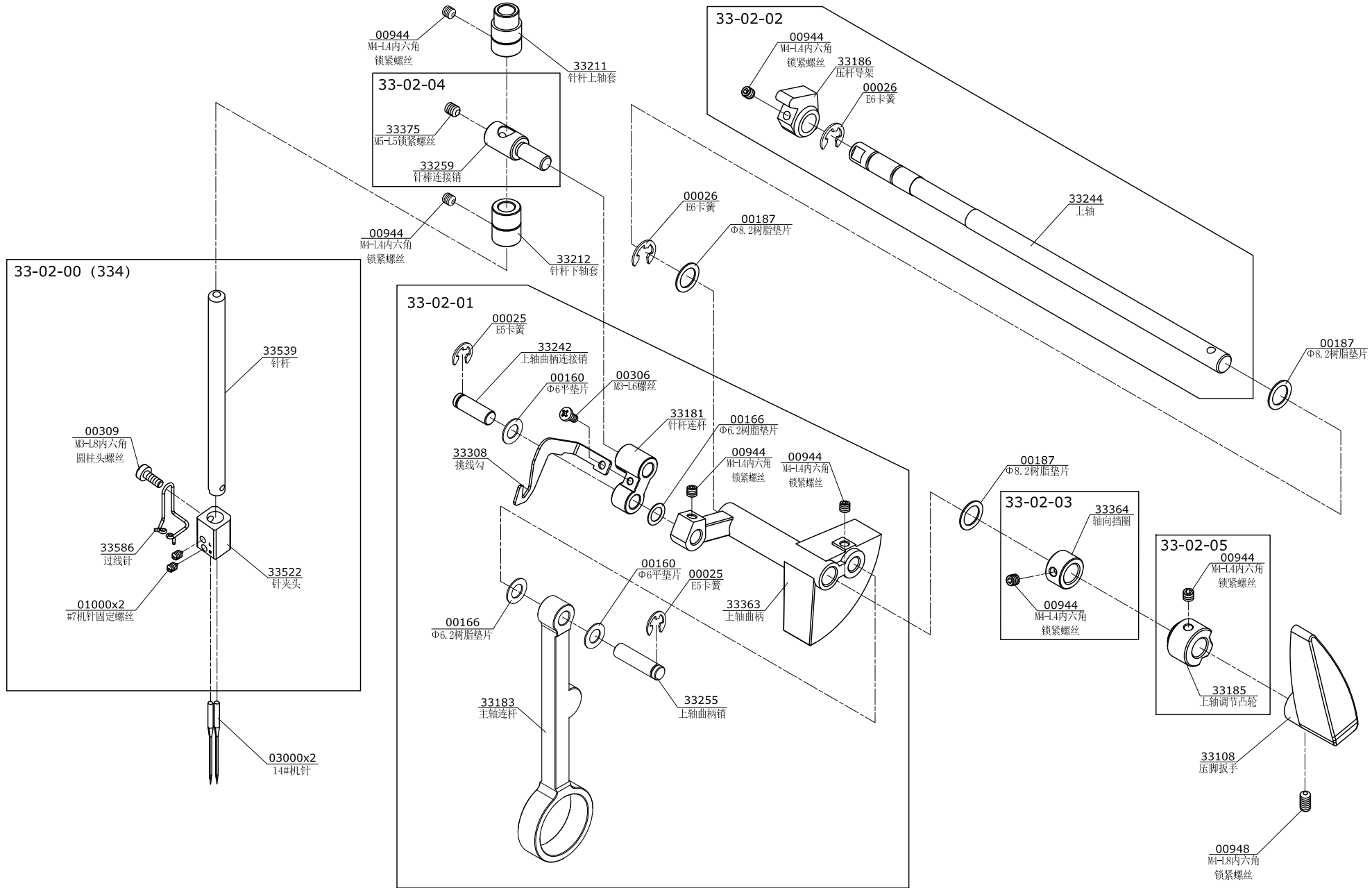


33-01-50-00



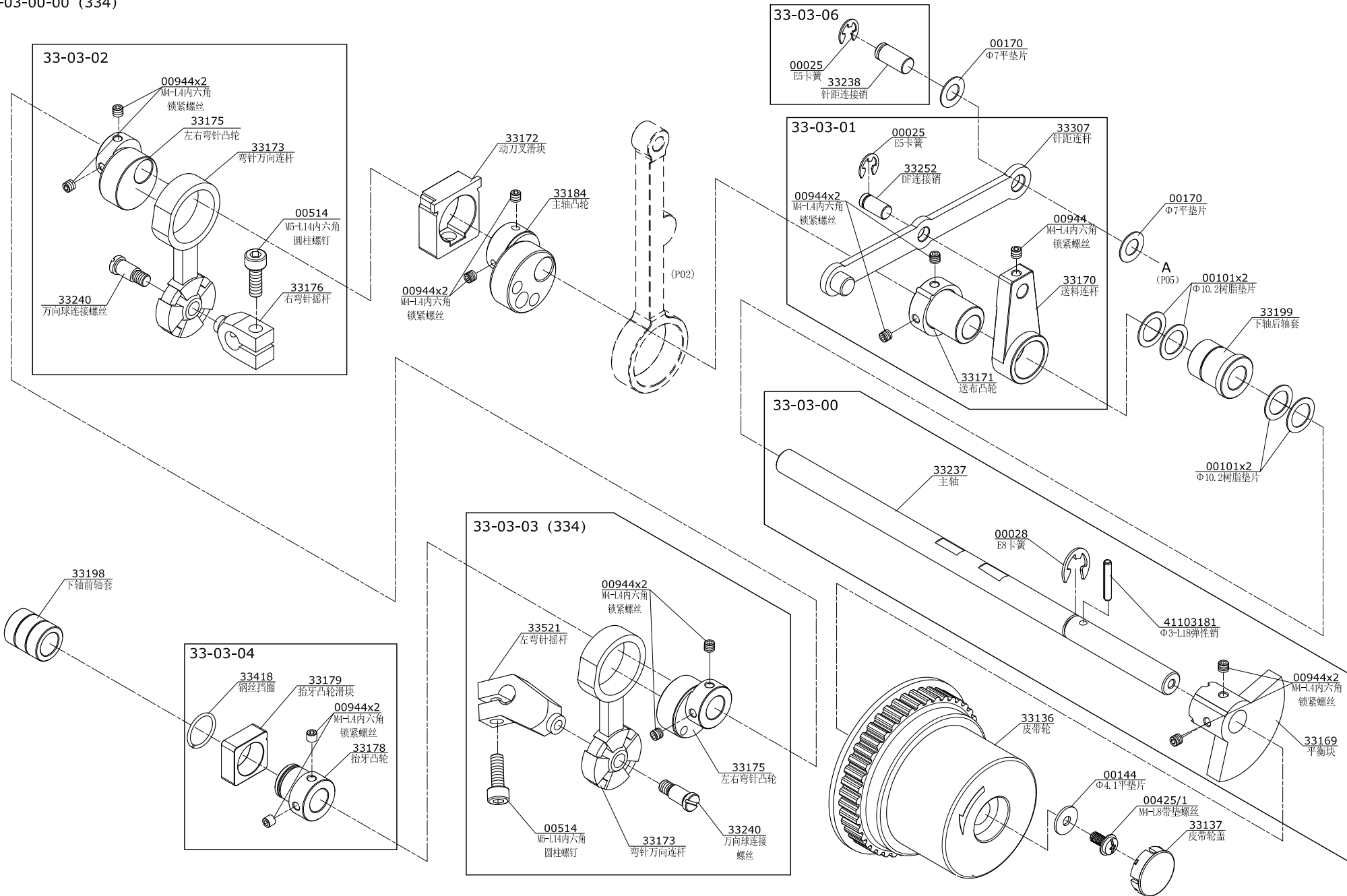


33-02-00-00 (334)



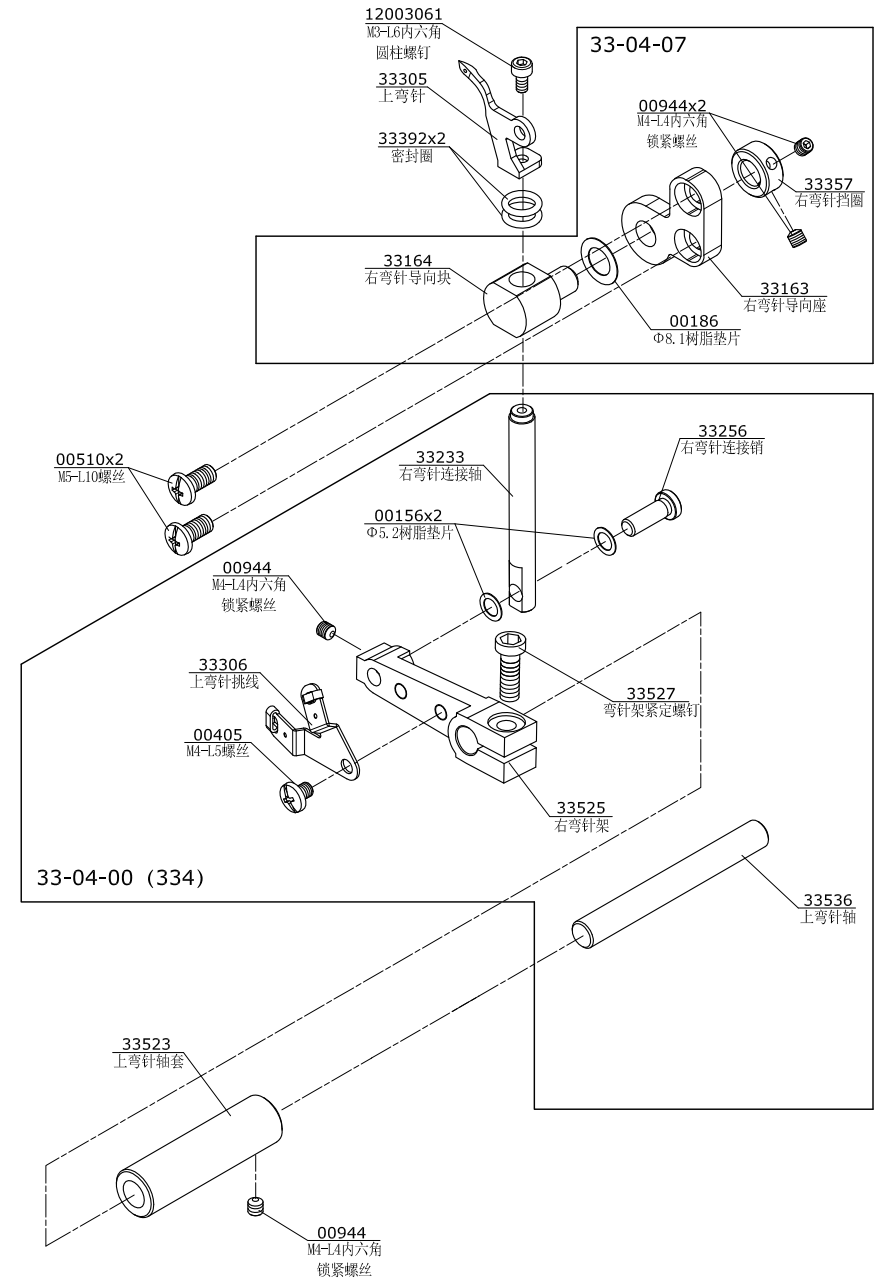
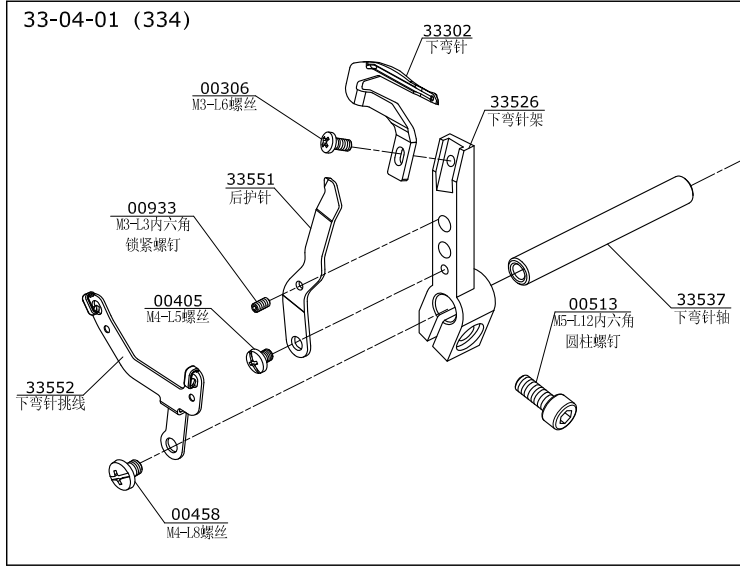


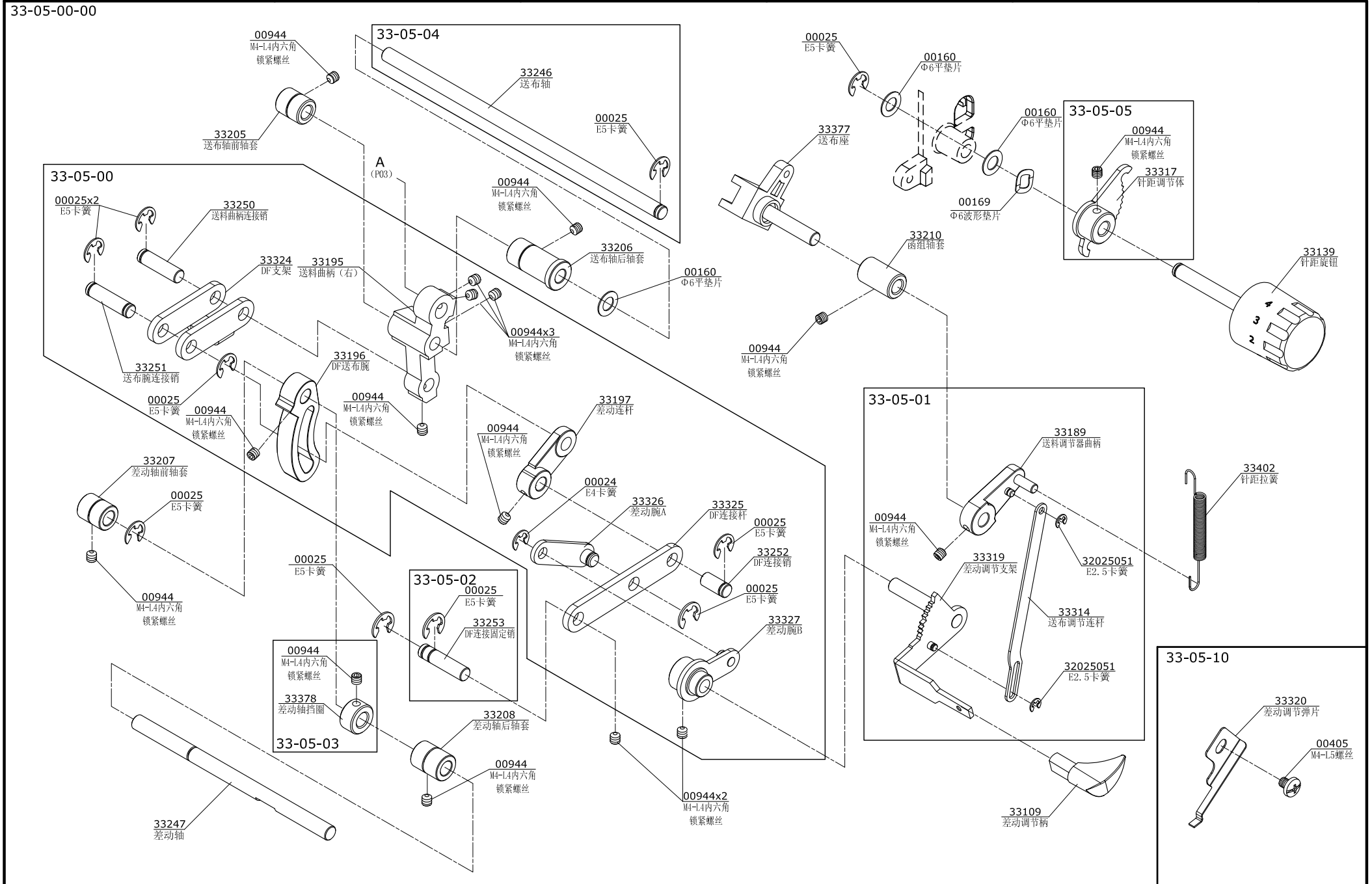
33-03-00-00 (334)





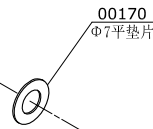
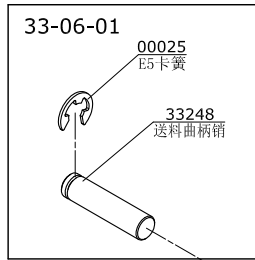
33-04-00-00 (334)



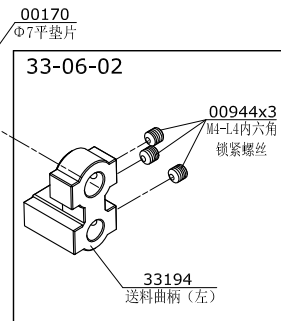
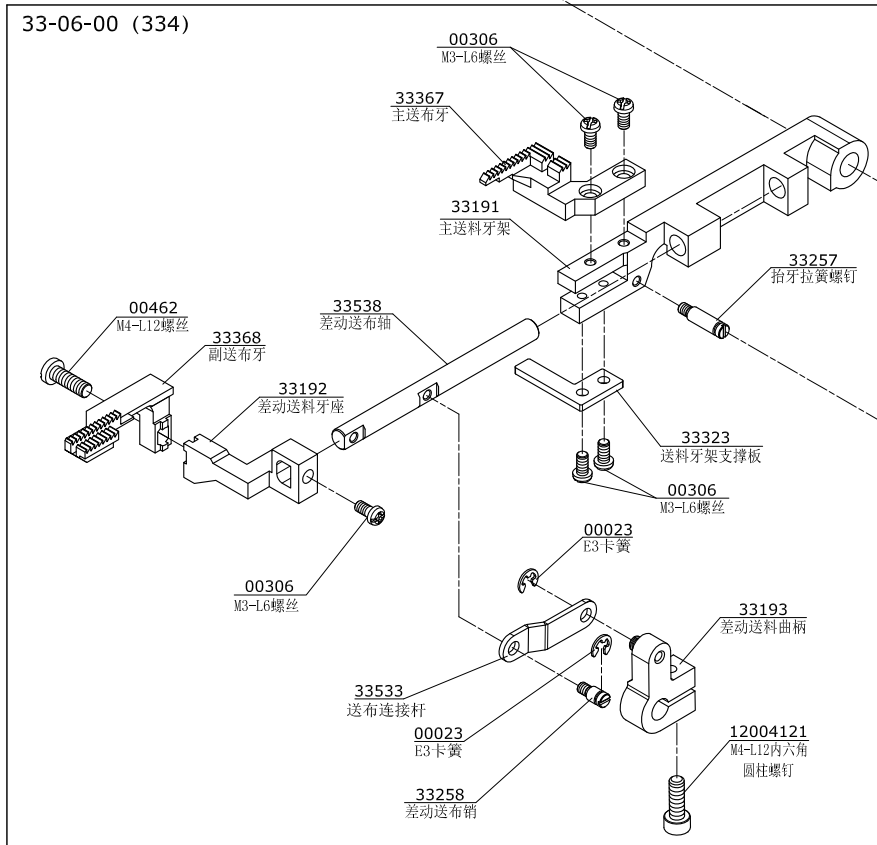




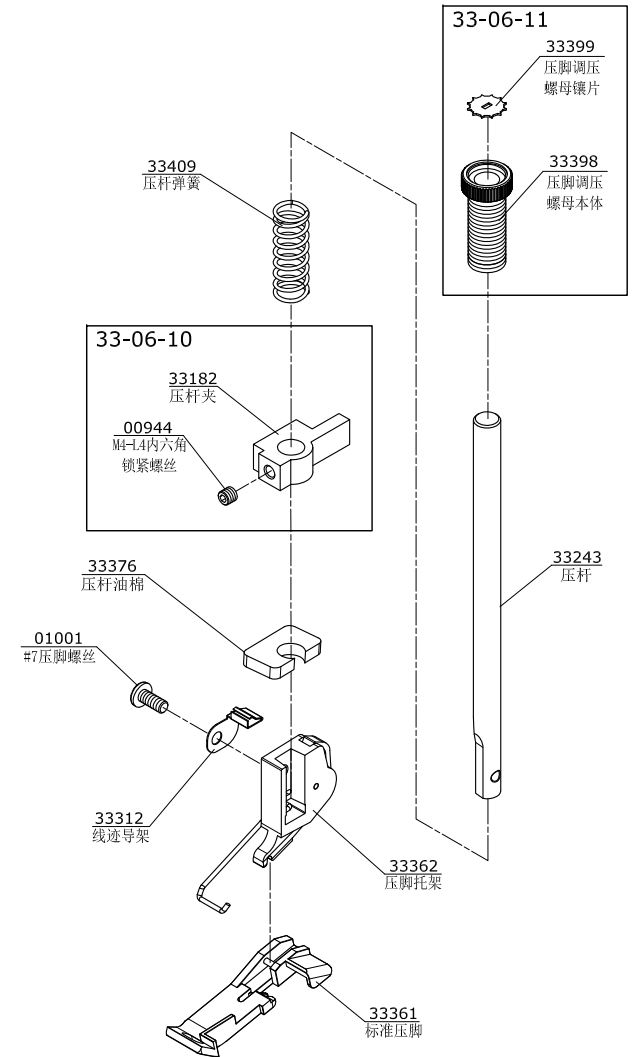
33-06-00-00 (334)



33-06-00 (334)

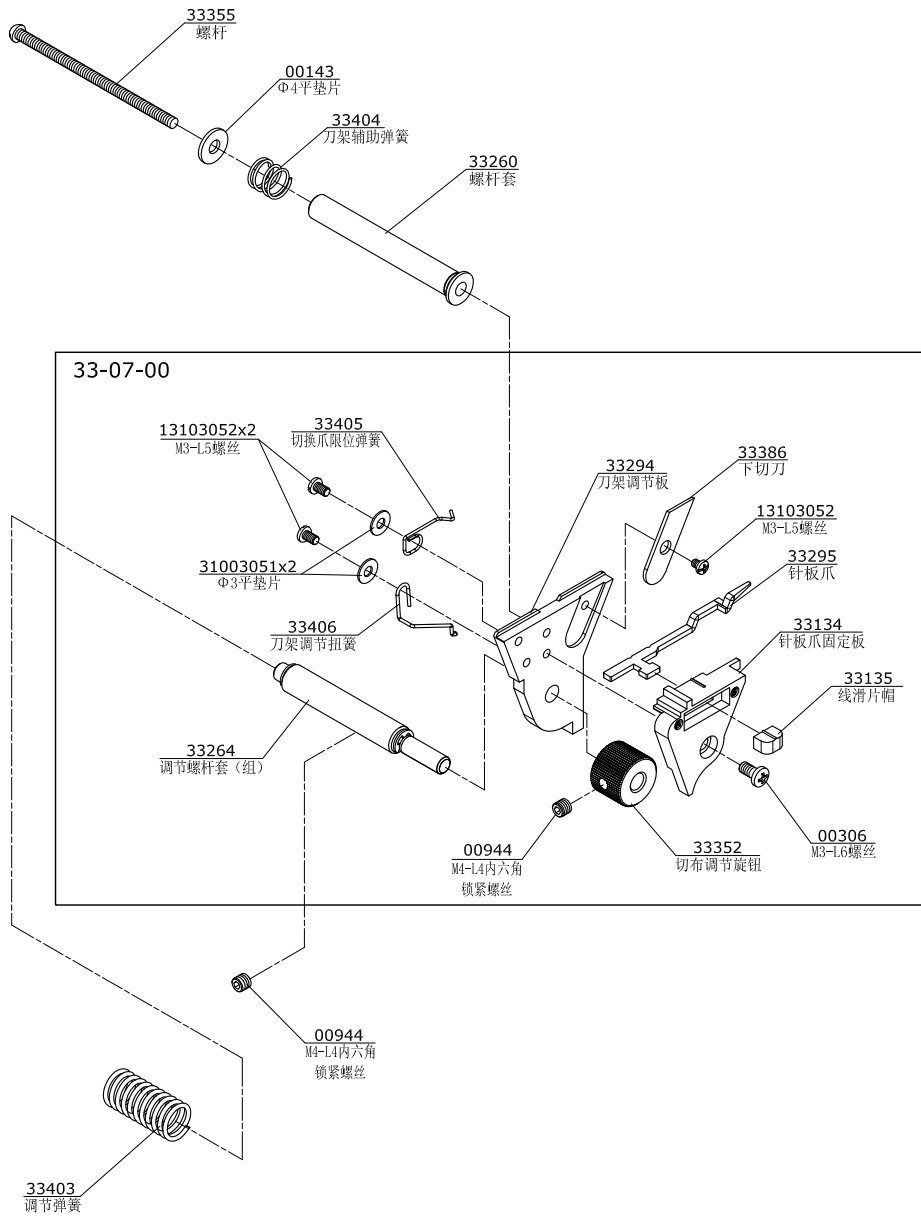


33-06-10-00

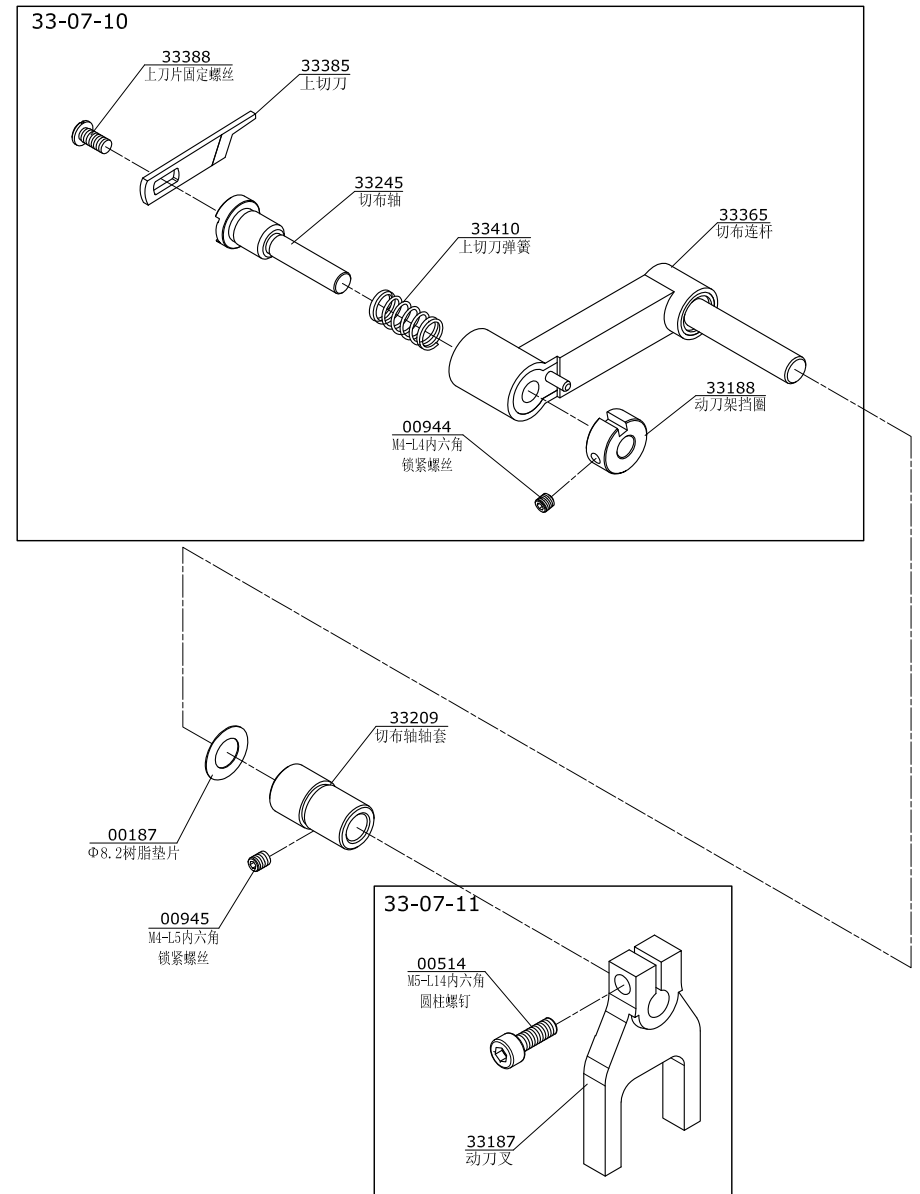




33-07-00-00

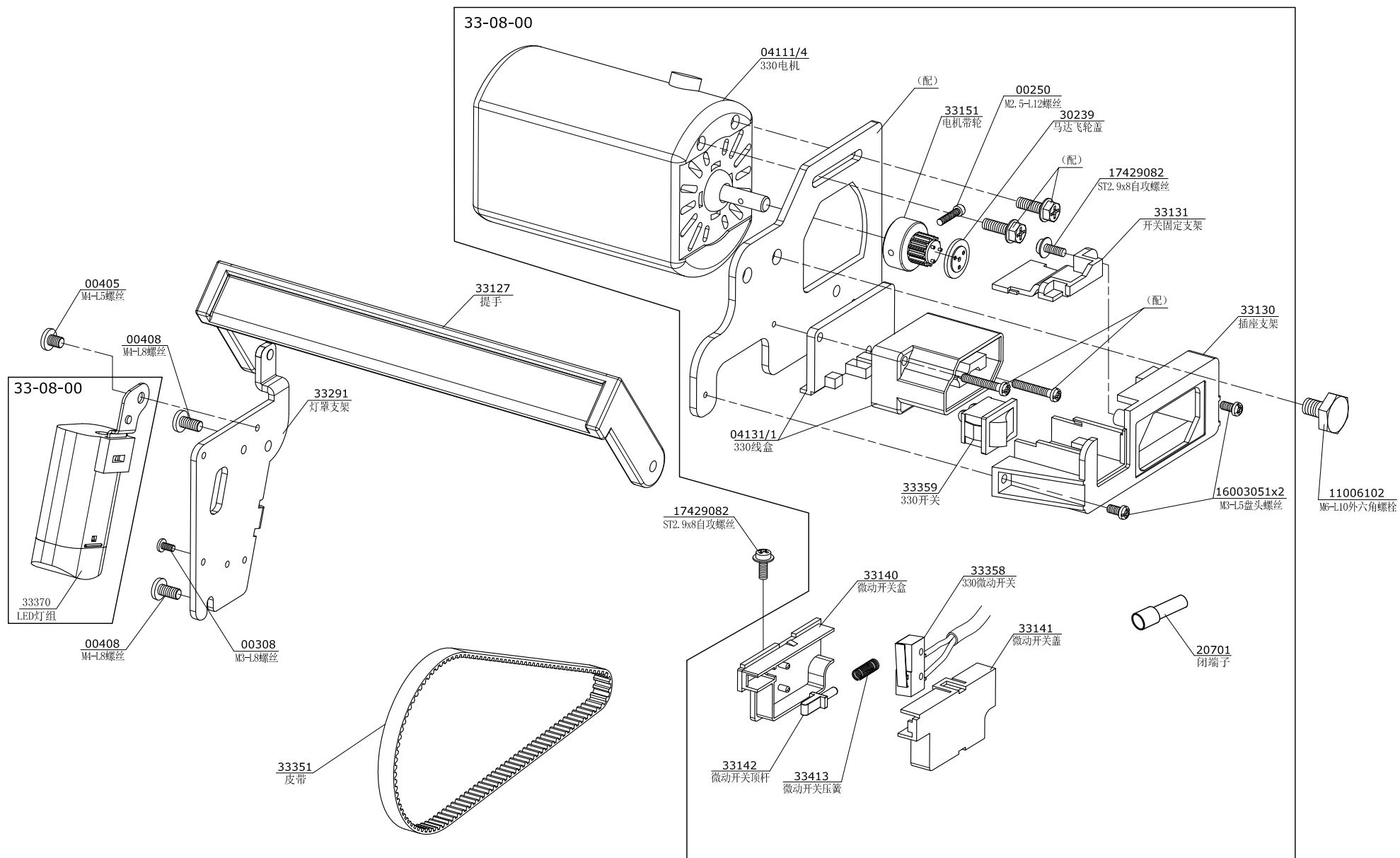


33-07-10-00





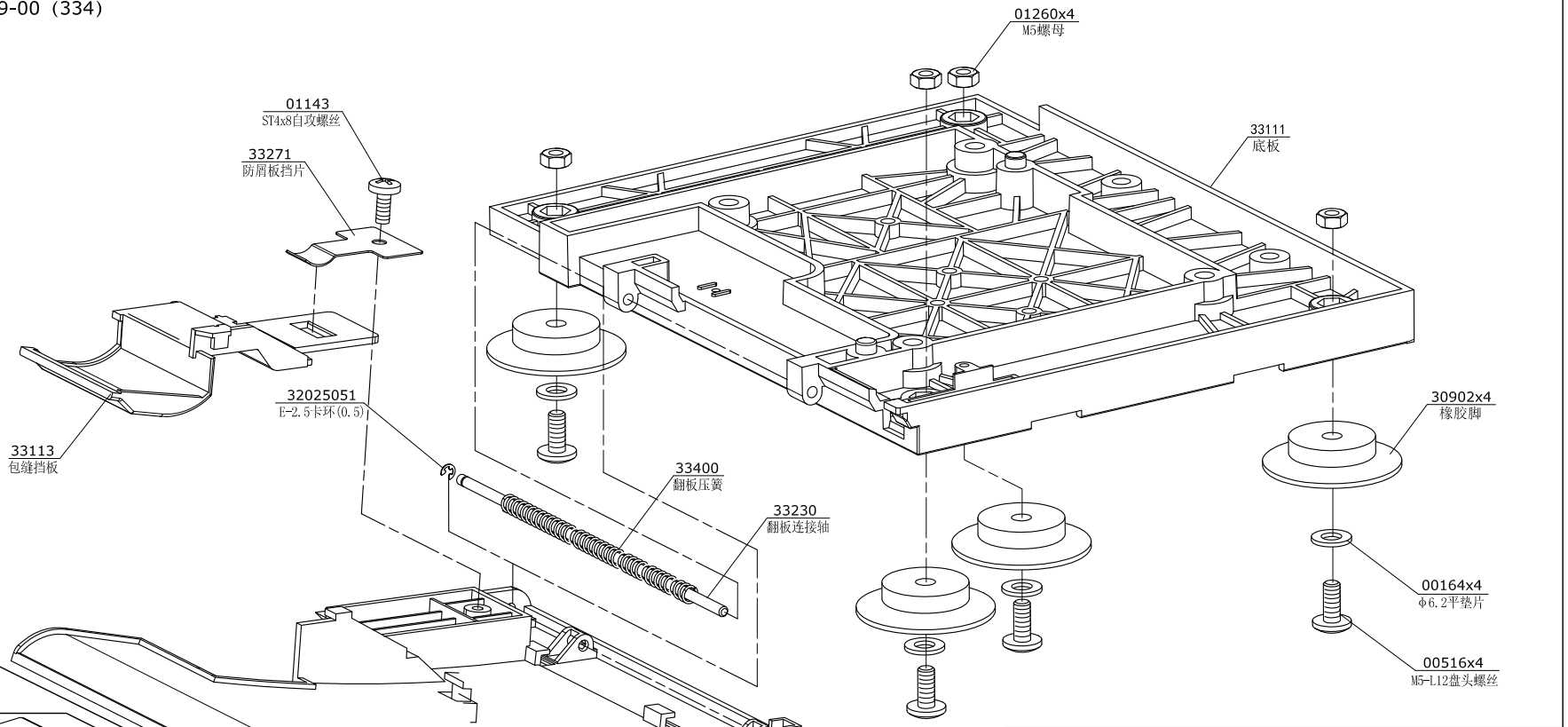
33-08-00-00



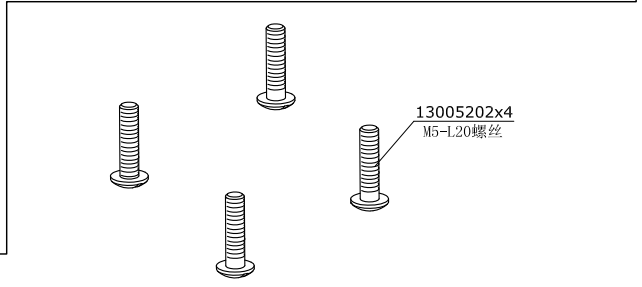
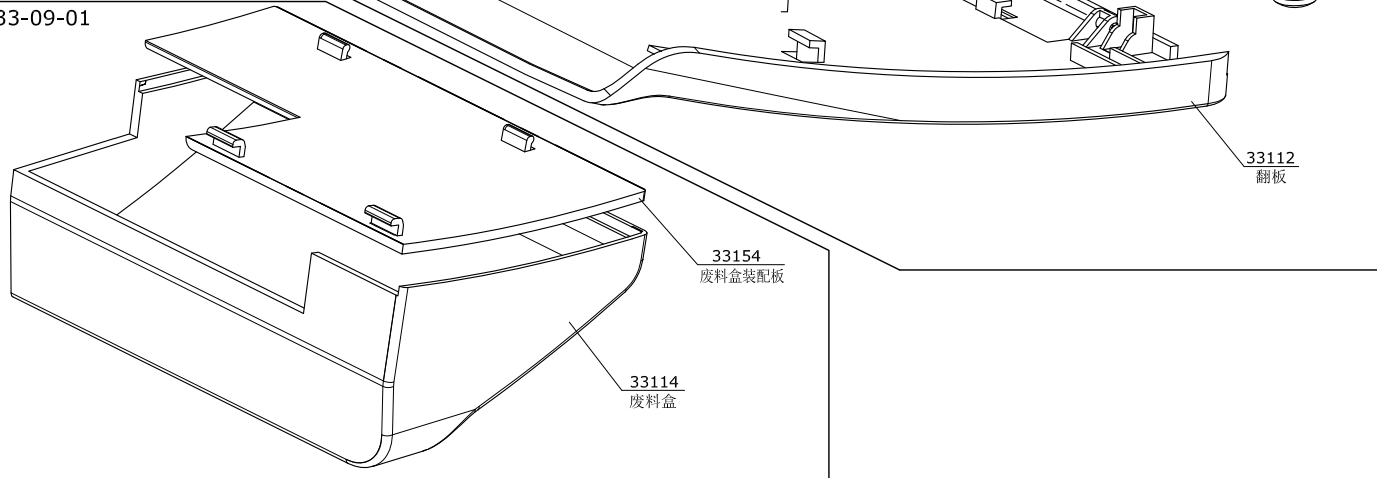


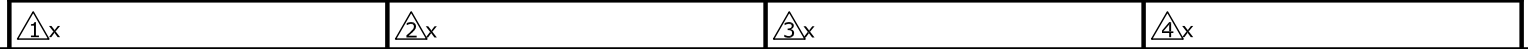
33-09-00-00 (334)

33-09-00 (334)



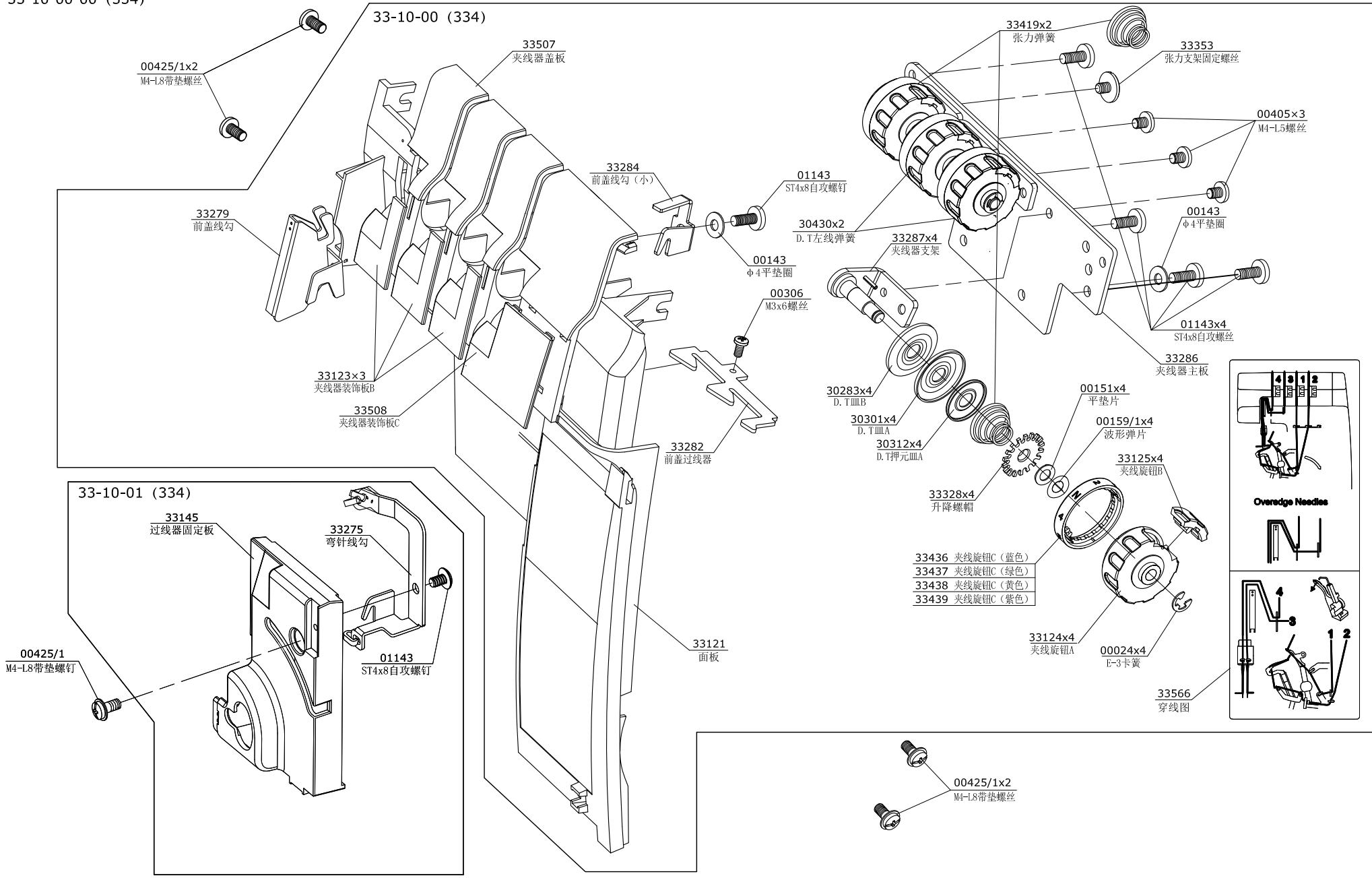
33-09-01





33-10-00-00 (334)

33-10-00 (334)



33-10-01 (334)

334 Structure Draw

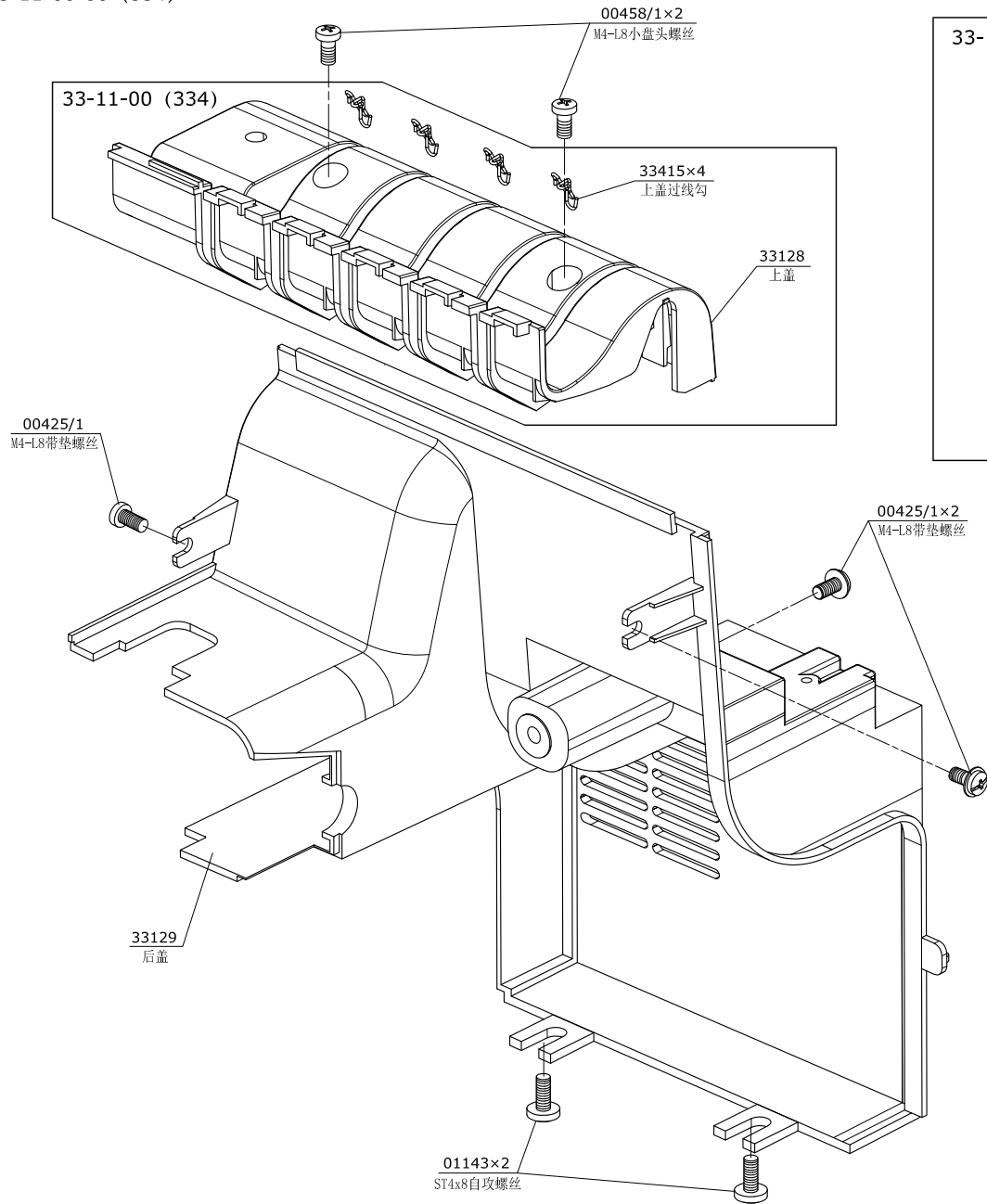
1x

2x

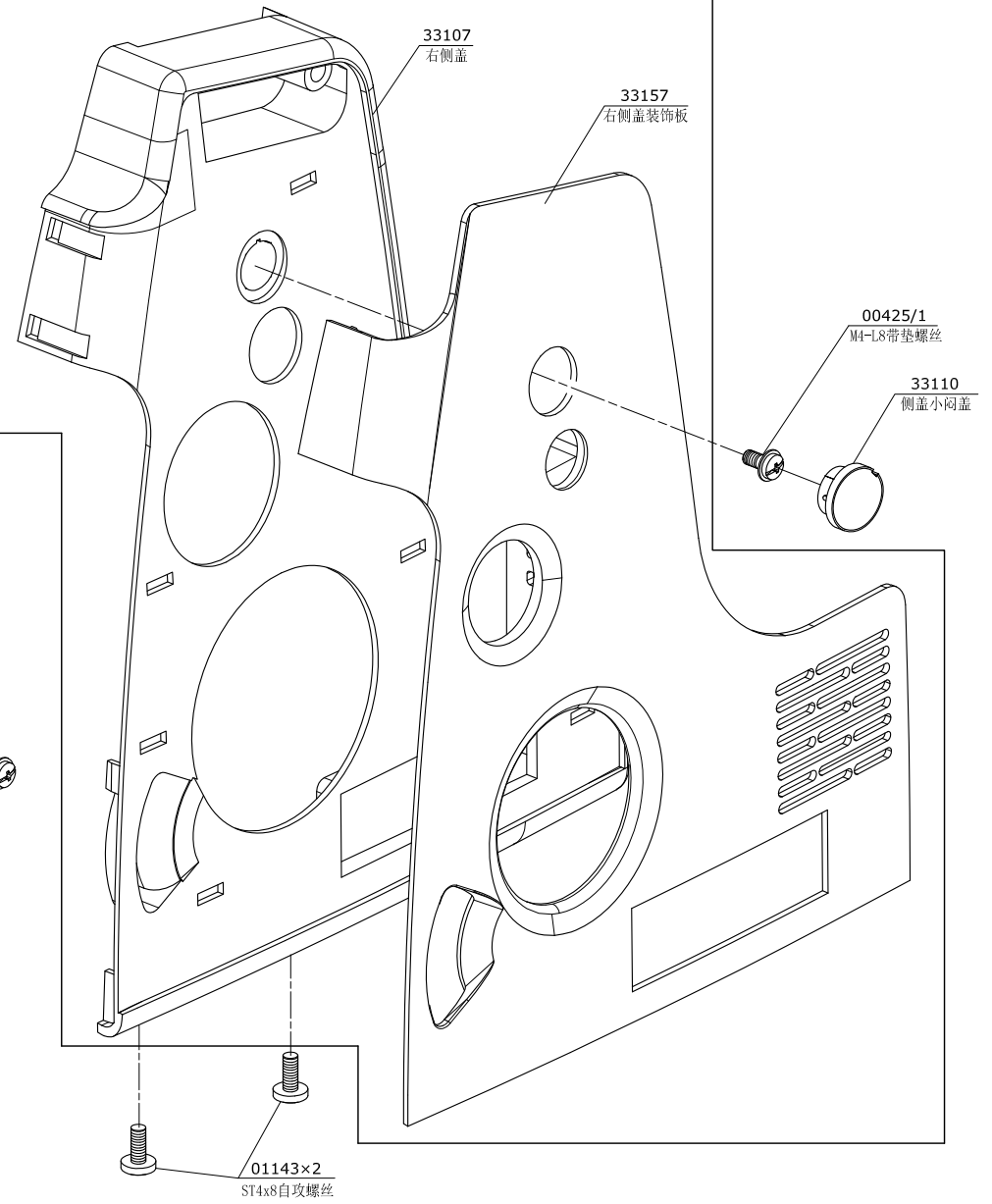
3x

4x

33-11-00-00 (334)



33-11-01



334 Structure Draw

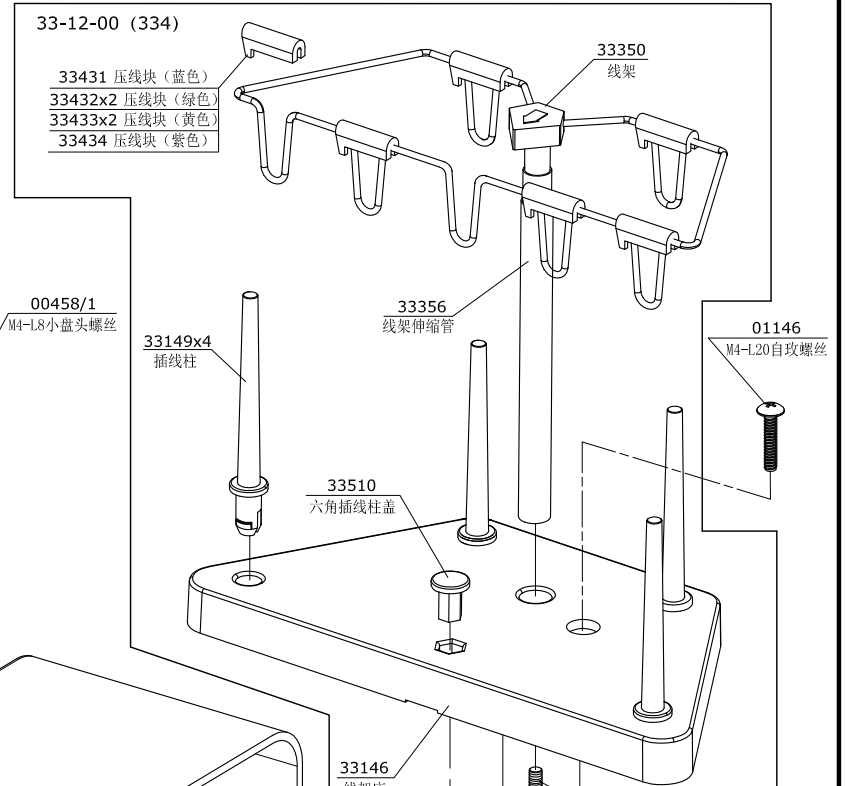
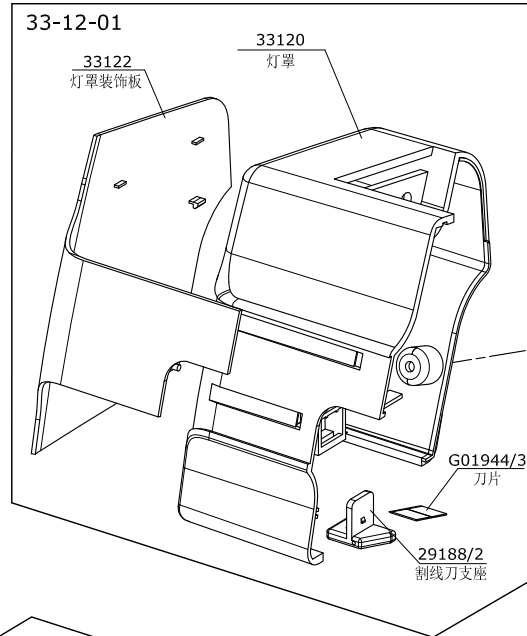
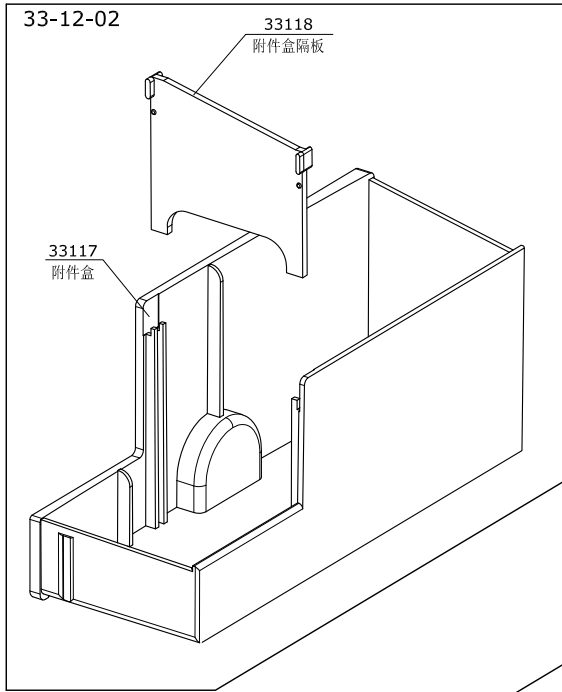
1x

2x

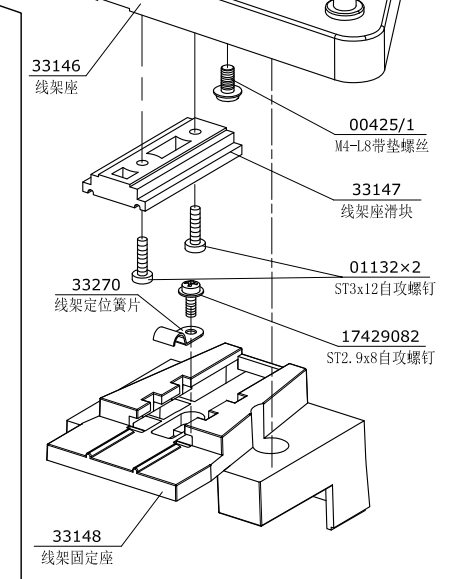
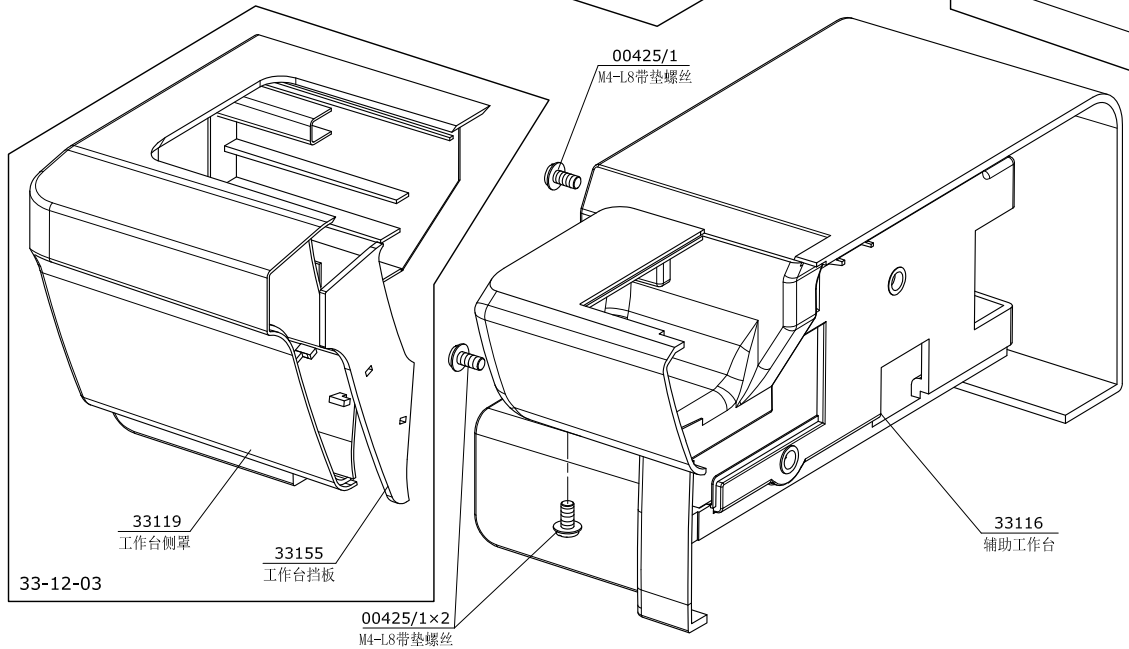
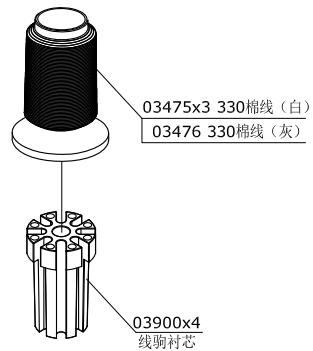
3x

4x

33-12-00-00 (334)



33-12-10-00 (334)



334 Structure Draw

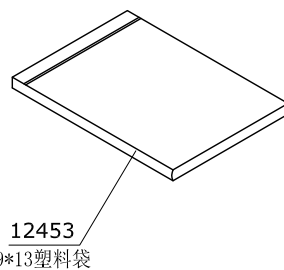
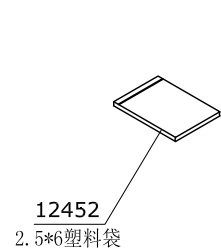
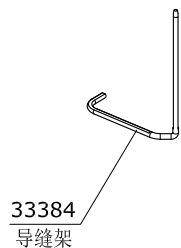
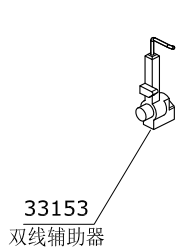
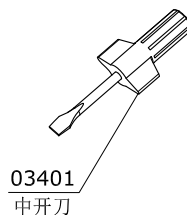
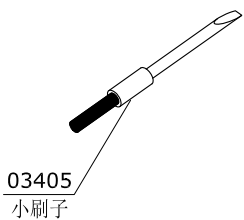
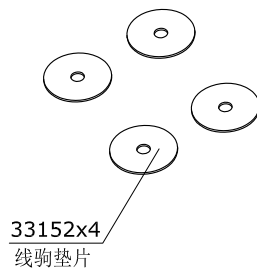
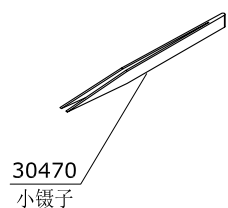
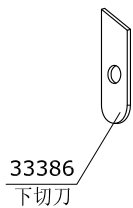
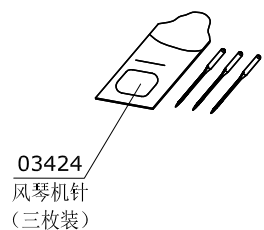
1x

2x

3x

4x

33-13-00-00 (334)



33-13-10-00

