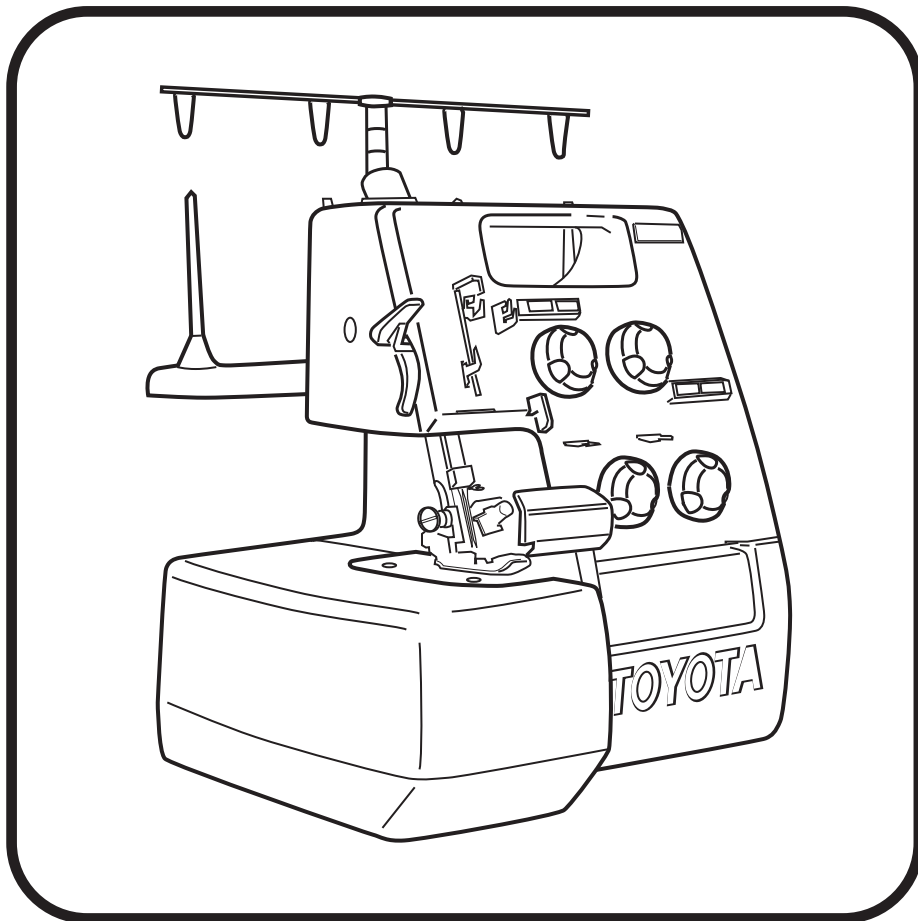


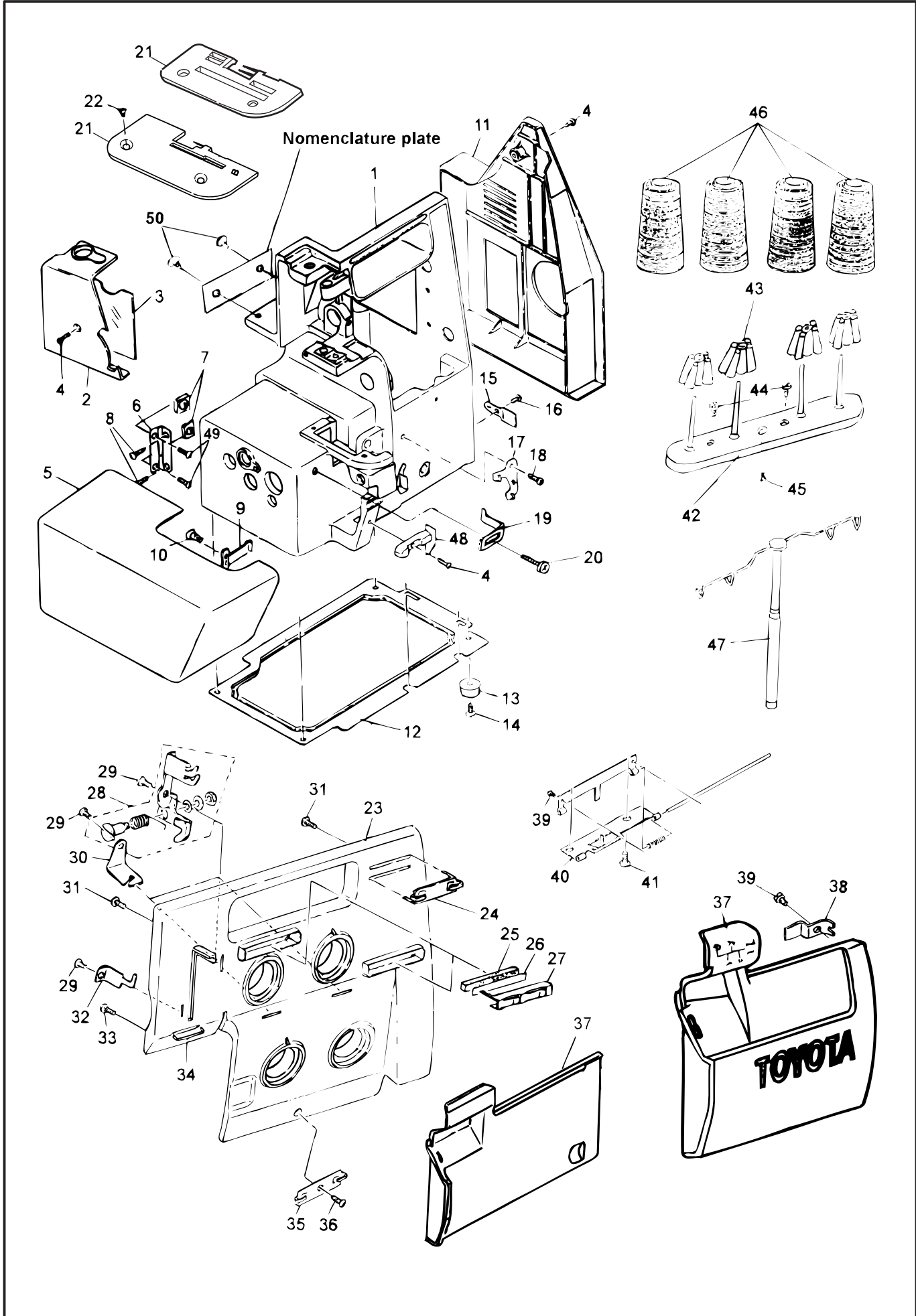
Sewing Machines

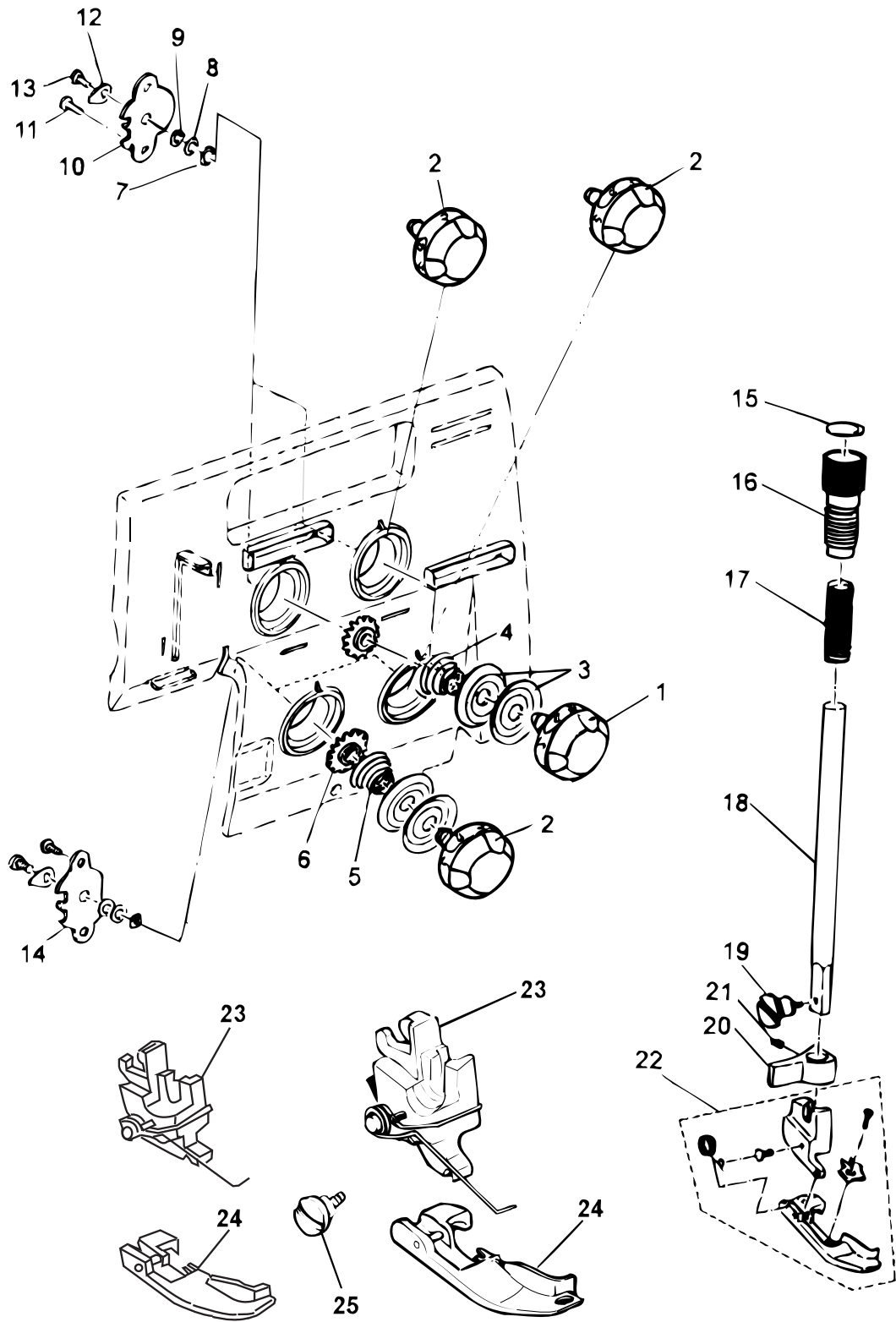
Parts catalogue

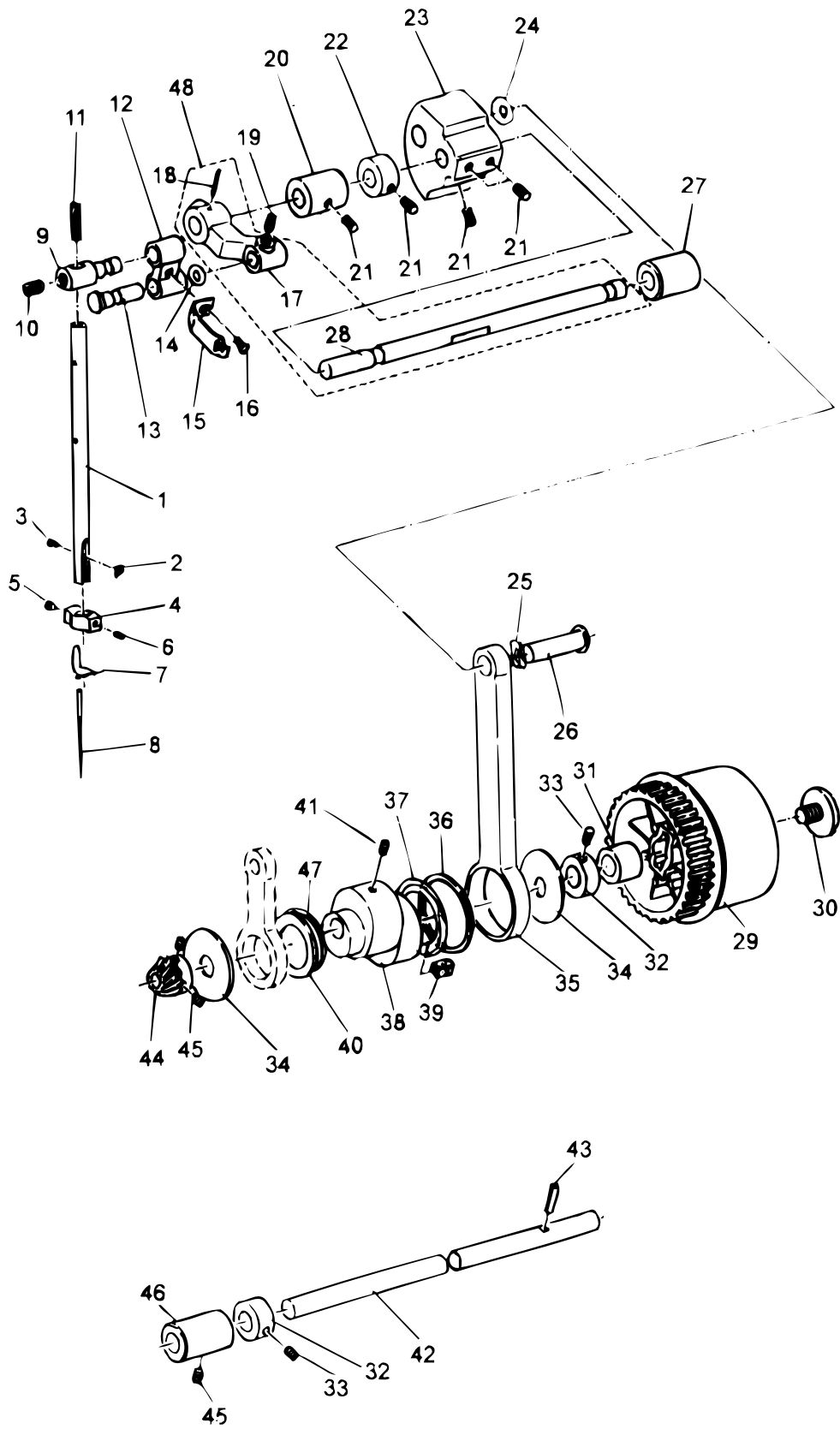


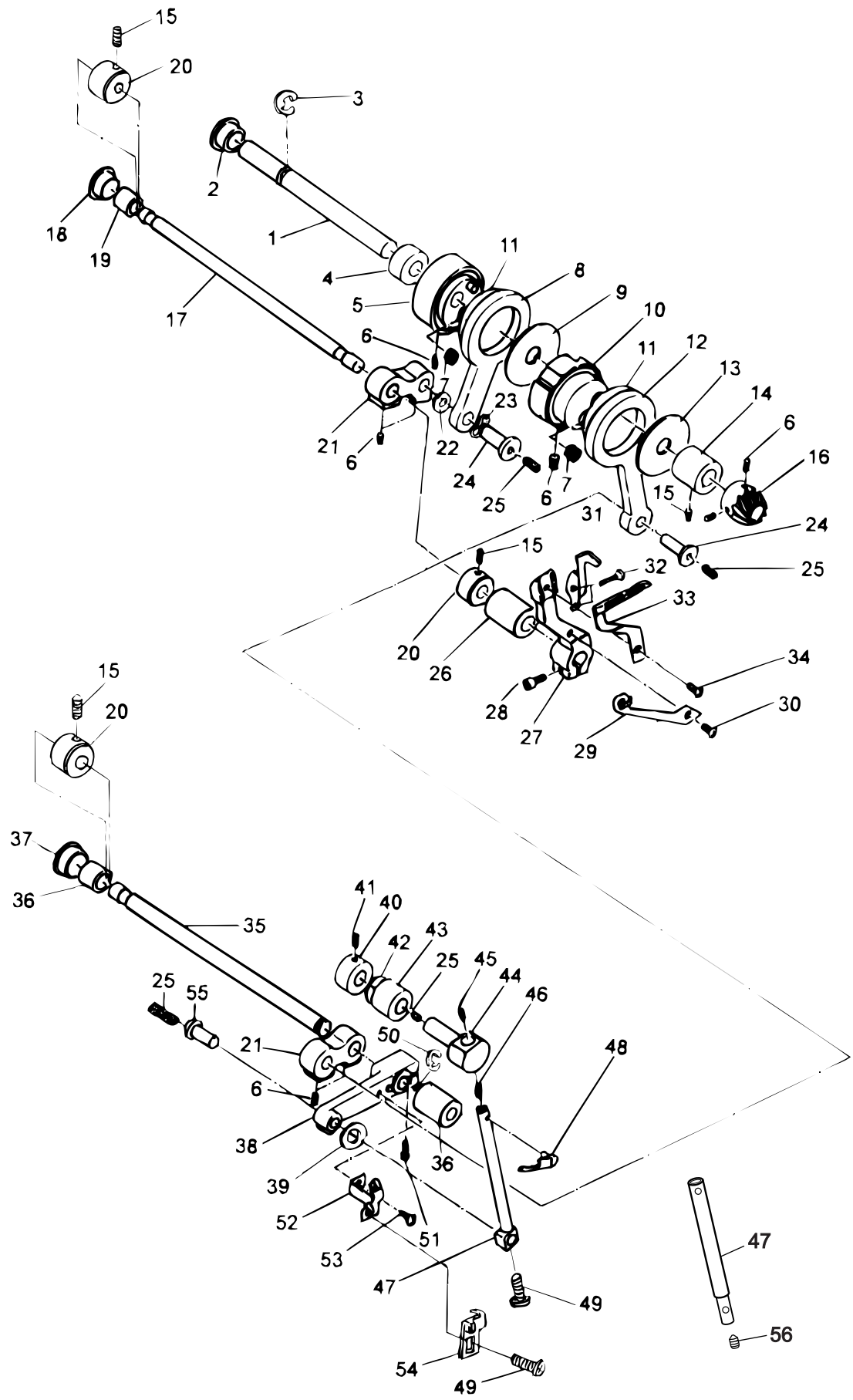
SL1-T SERIES

Modelli SL3314/SL3335/N162

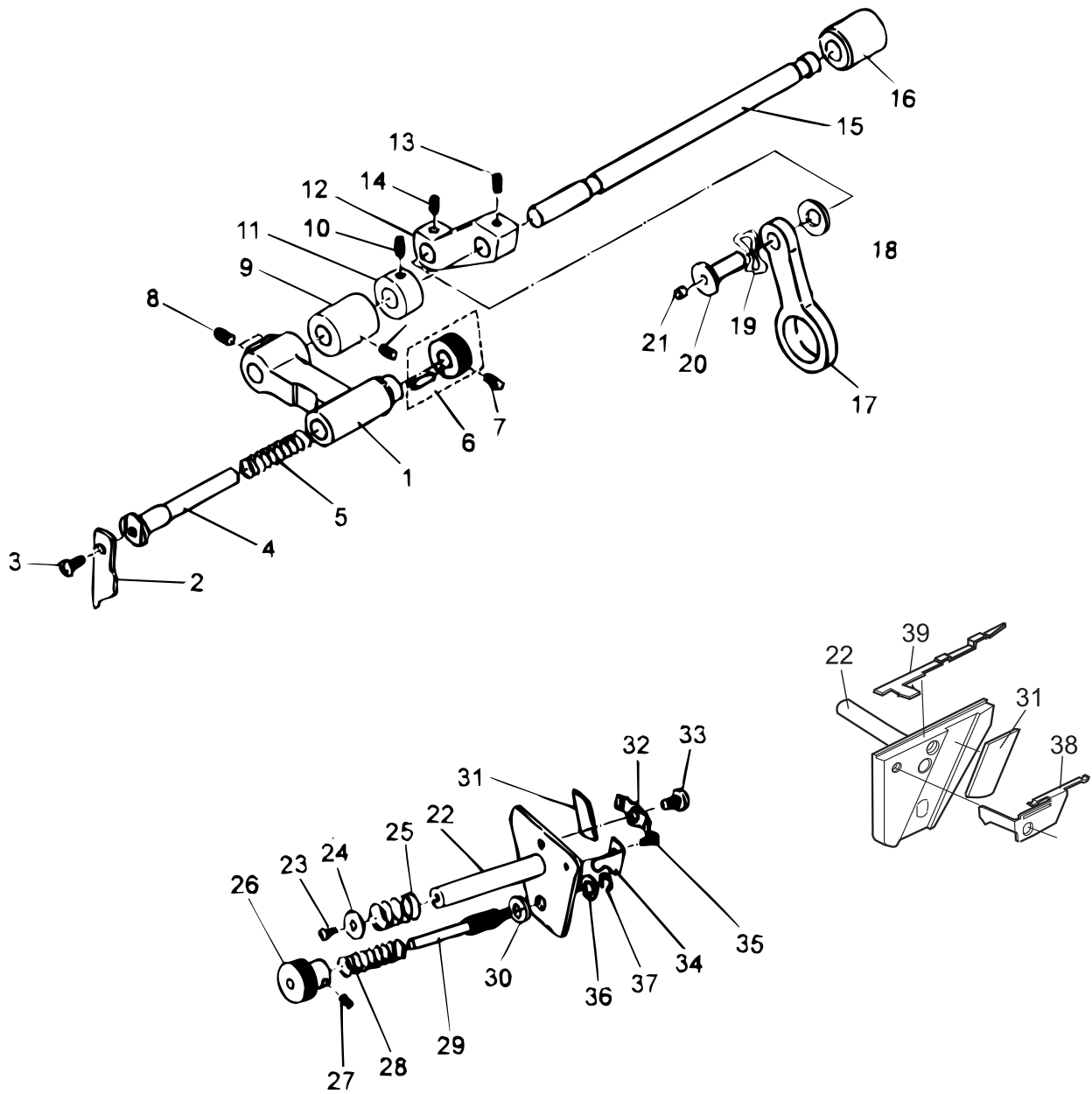


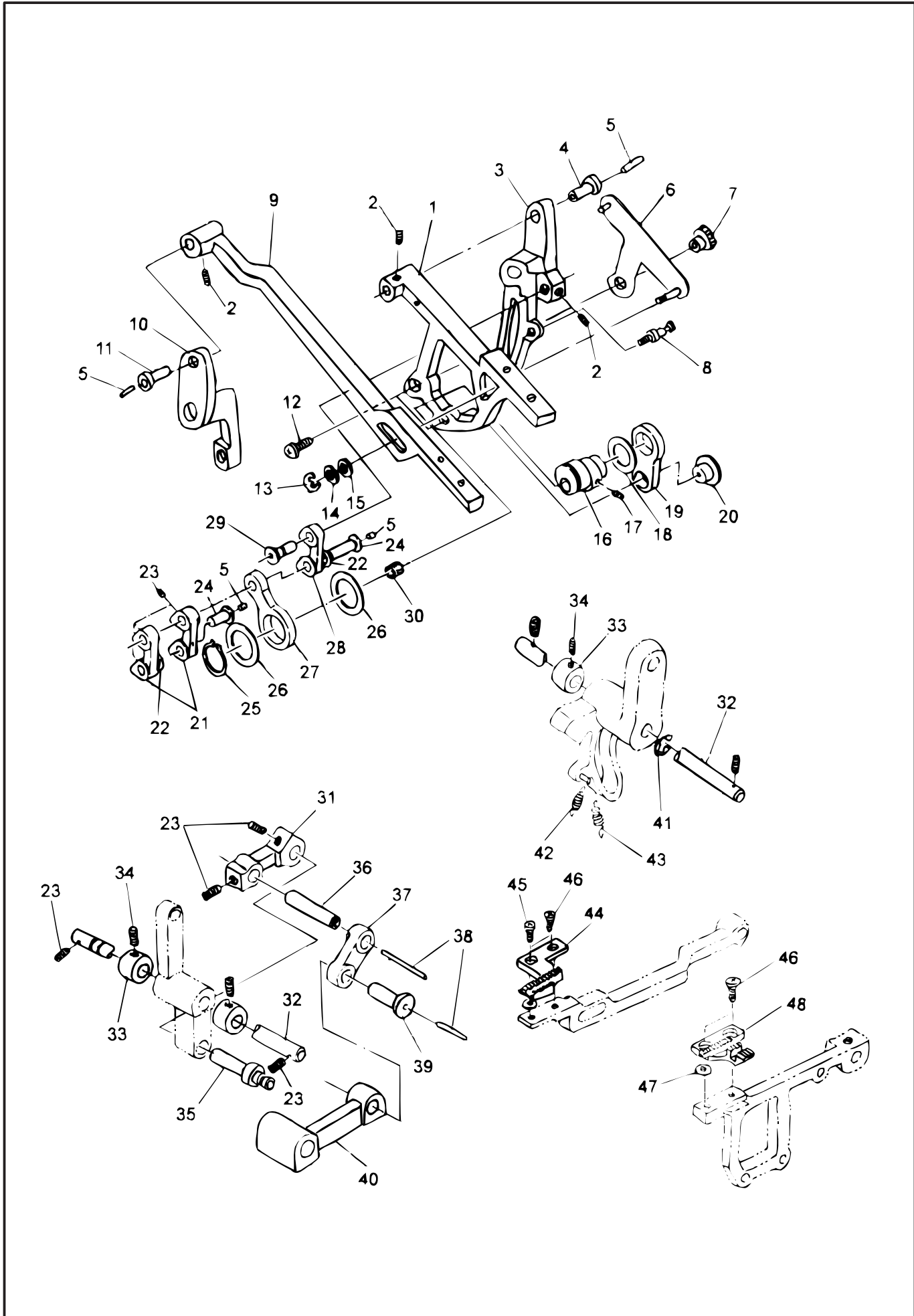


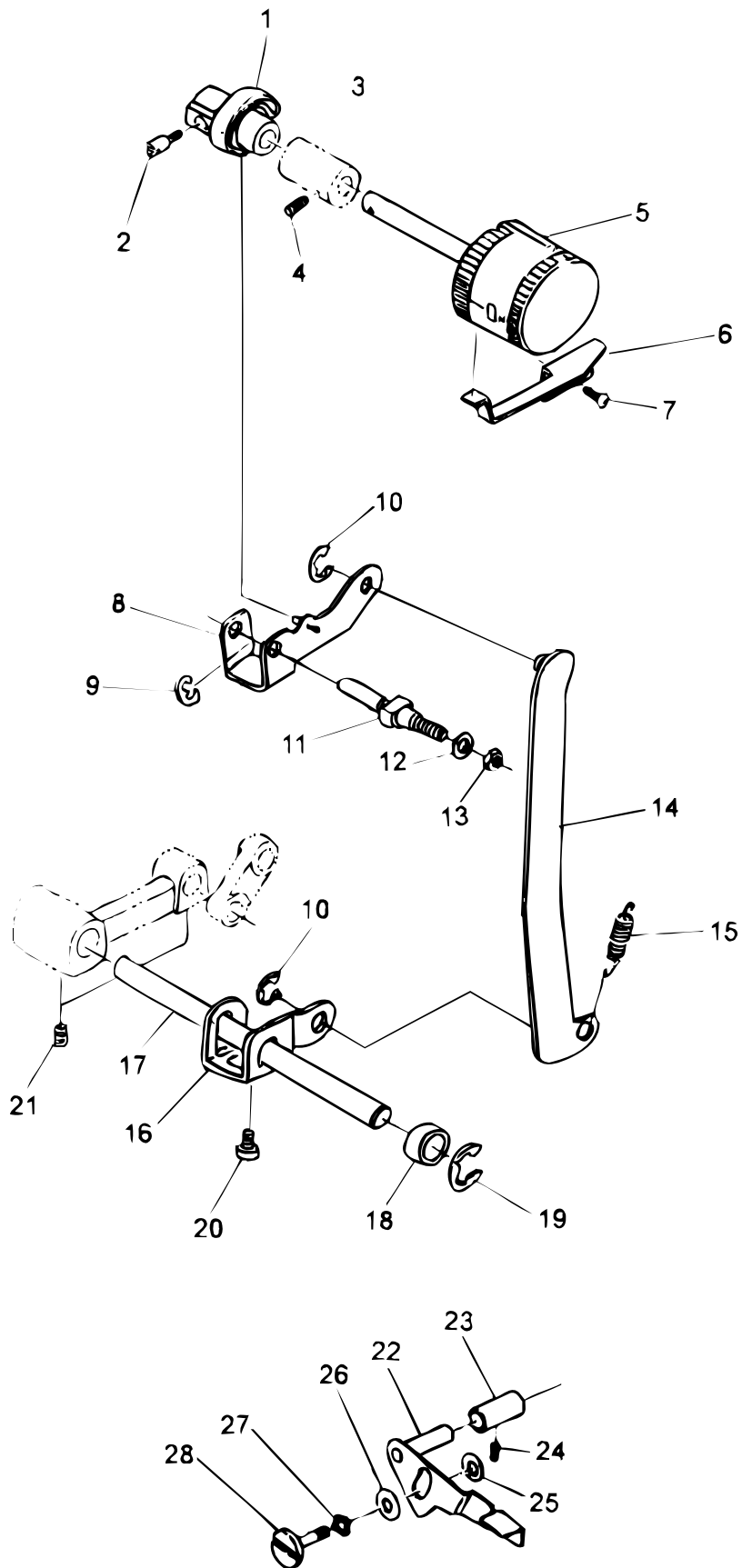


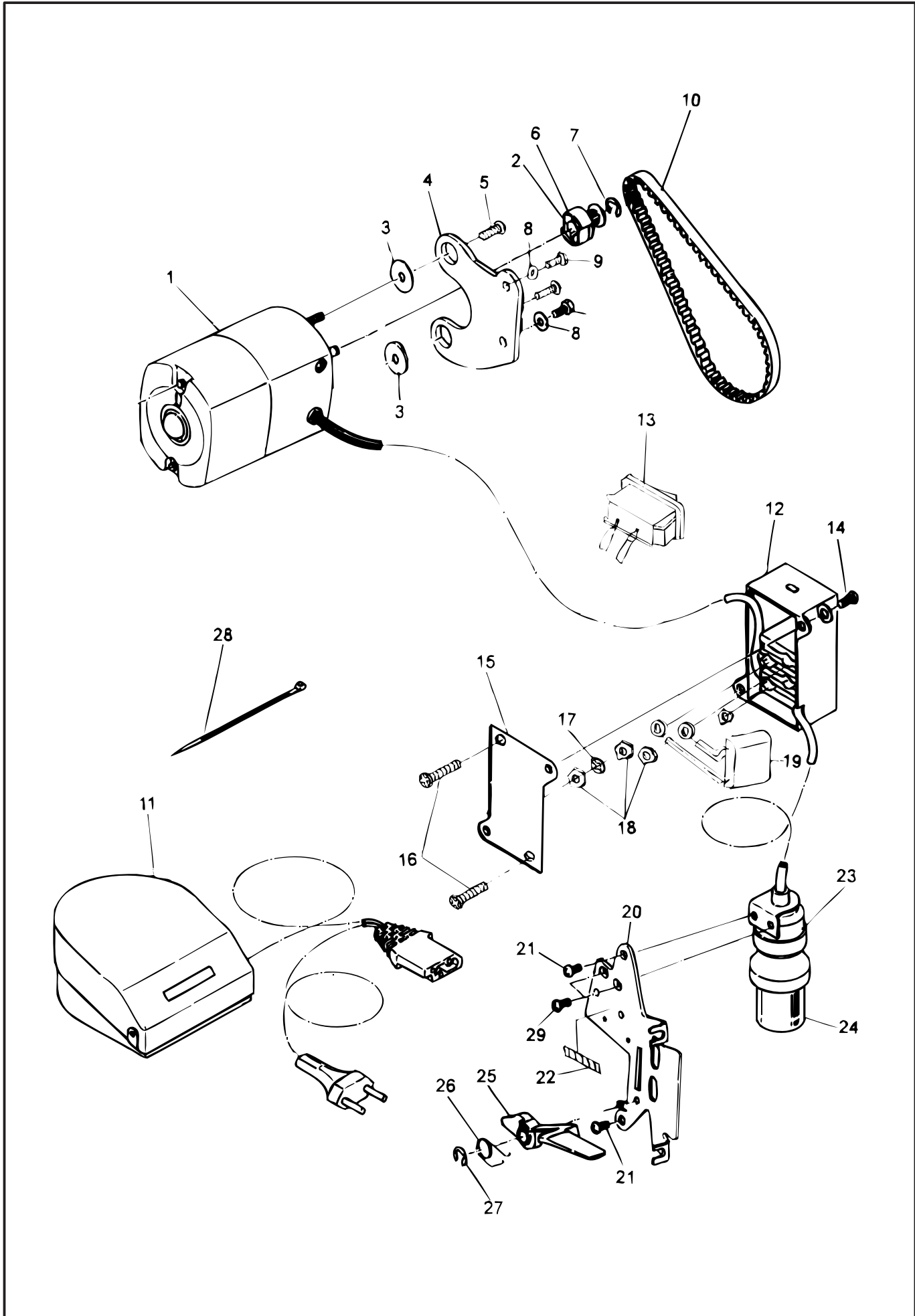


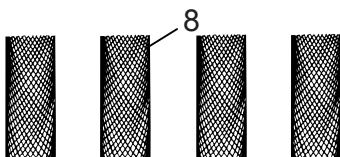
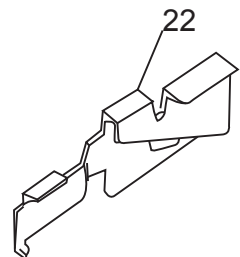
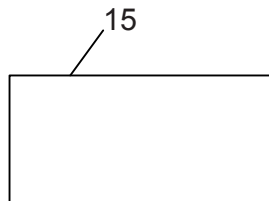
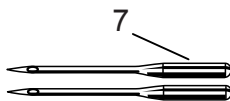
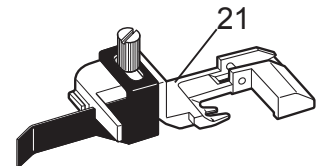
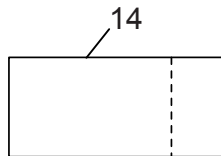
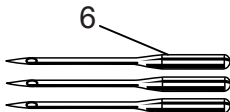
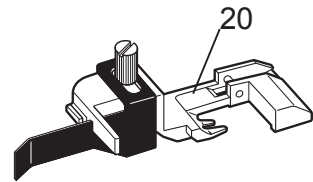
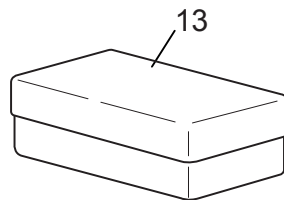
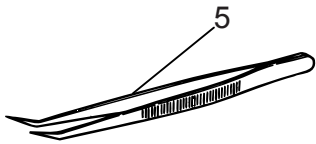
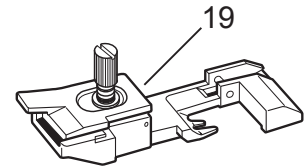
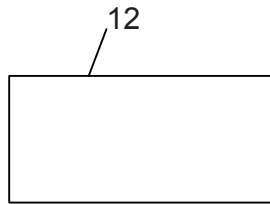
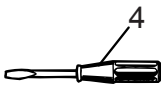
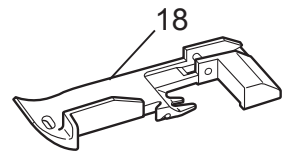
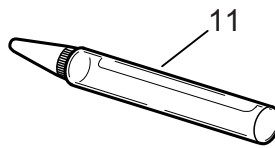
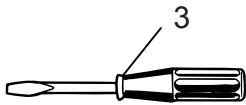
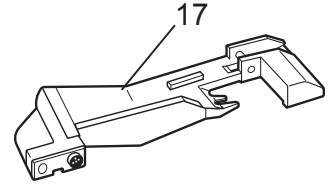
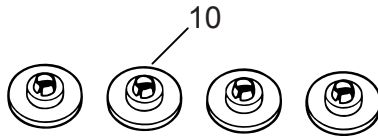
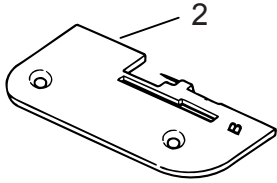
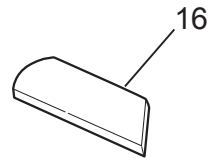
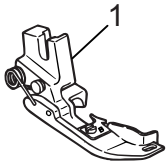
INDEX NO.	REF.NO.	PART NAME	QTY	MODEL NO. N162							
				SL430D	SL4000	SL2234	SL3314EU	SL1134EU	SL2234EU	TL432DE	3334 / 5
1	1250003-511-D	Drive shaft	1	0	0	0	0	0	0	0	0
2	1250003-512-651-A	Drive shaft cap	1	0	0	0	0	0	0	0	0
3	40101-B	E-Ring	1	0	0	0	0	0	0	0	0
4	950003-542	Bushing	1	0	0	0	0	0	0	0	0
5	1250003-432-E	Lower looper drive cam	1	0	0	0	0	0	0	0	0
6	10132-A	Set screw	13	0	0	0	0	0	0	0	0
7	1250004-153	Felt	2	0	0	0	0	0	0	0	0
8	1250003-334-E	Drive link	1	0	0	0	0	0	0	0	0
9	60177-A	Washer	1	0	0	0	0	0	0	0	0
10	1250003-431-G	Upper looper drive cam	1	0	0	0	0	0	0	0	0
11	60176-A	Washer	2	0	0	0	0	0	0	0	0
12	1250003-334-E	Drive link	1	0	0	0	0	0	0	0	0
13	60131	Washer	1	0	0	0	0	0	0	0	0
14	1650003-543-B	Bushing	1	0	0	0	0	0	0	0	0
15	10126	Set screw	2	0	0	0	0	0	0	0	0
16	1250003-528-D	Drive shaft gear	1	0	0	0	0	0	0	0	0
17	1250003-425-G	Lower looper drive shaft	1	0	0	0	0	0	0	0	0
18	1250003-429-651-B	Lower shaft cap	1	0	0	0	0	0	0	0	0
19	1250003-421-D	Looper shaft bushing-R	1	0	0	0	0	0	0	0	0
20	1250003-423-A	Collar	4	0	0	0	0	0	0	0	0
21	1250003-333-B	Drive link lever	2	0	0	0	0	0	0	0	0
22	60157-A	Washer	2	0	0	0	0	0	0	0	0
23	60409	Wave washer	2	0	0	0	0	0	0	0	0
24	1250003-413-C	Drive link pin	2	0	0	0	0	0	0	0	0
25	1250003-416-B	Felt	5	0	0	0	0	0	0	0	0
26	1250003-421-D	Looper shaft bushing-F	1	0	0	0	0	0	0	0	0
27	1650003-424	Lower looper stand	1	0	0	0	0	0	0	0	0
28	10137	Hexagon screw	1	0	0	0	0	0	0	0	0
29	1250003-442	Lower looper thread guide	1	0	0	0	0	0	0	0	0
30	10965	Set screw	1	0	0	0	0	0	0	0	0
31	1650002-465	Needle guide	1	0	0	0	0	0	0	0	0
32	20206	Hexagon screw	2	0	0	0	0	0	0	0	0
33	1270003-441-A	Lower looper	1	0	0	0	0	0	0	0	0
34	10972	Set screw	1	0	0	0	0	0	0	0	0
35	1250003-415-D	Upper looper drive shaft	1	0	0	0	0	0	0	0	0
36	1250003-421-D	Looper shaft bushing-R	1	0	0	0	0	0	0	0	0
37	1250003-429-651-B	Looper shaft cap	1	0	0	0	0	0	0	0	0
38	1650003-417	Looper drive cap	1	0	0	0	0	0	0	0	0
39	60167	Washer	1	0	0	0	0	0	0	0	0
40	1250003-414-E	Collar	1	0	0	0	0	0	0	0	-
	2150003-414	Collar	1	-	-	-	-	-	-	-	0
41	10135	Set screw	1	0	0	0	0	0	0	0	0
42	60178-A	Washer	1	0	0	0	0	0	0	0	0
43	1250003-411	Bushing	1	0	0	0	0	0	0	0	0
44	1250013-426	Upper looper fulcrum	1	0	0	0	0	0	0	0	-
	1250023-426-A	Upper looper fulcrum	1	-	-	-	-	-	-	-	0
45	10124	Set screw	1	0	0	0	0	0	0	0	0
46	1250003-427	Felt	1	0	0	0	0	0	0	0	0
47	1650003-412	Upper looper stand shaft	1	0	0	0	0	0	0	0	-
	1650013-412-A	Upper looper stand shaft	1	-	-	-	-	-	-	-	0
48	1651003-433-A0	Upper looper	1	0	0	0	0	0	0	0	-
	2141003-433-E	Upper looper	1	-	-	-	-	-	-	-	0
49	10940	Set screw	1	0	0	0	0	0	0	0	0
50	40106	E-Ring	1	0	0	0	0	0	0	0	0
51	20204	Set screw	1	0	0	0	0	0	0	0	0
52	1250003-419-F	Looper take-up lever	1	0	0	0	0	0	0	-	-
	1650063-419	Looper take-up lever	1	-	-	-	-	-	-	0	-
	1650053-419	Looper take-up lever	1	-	-	-	-	-	-	-	0
53	10941-C	Set screw	1	0	0	0	0	0	0	0	0
54	1250003-428	Looper take-up lever (2)	1	0	0	0	0	0	0	0	0
55	1250003-418-A	Upper looper stand shaft pin	1	0	0	0	0	0	0	0	0
56	10131	Set screw	1	-	-	-	-	-	-	-	0











1271009-892-D
PRINTED IN TAIWAN 2002.08