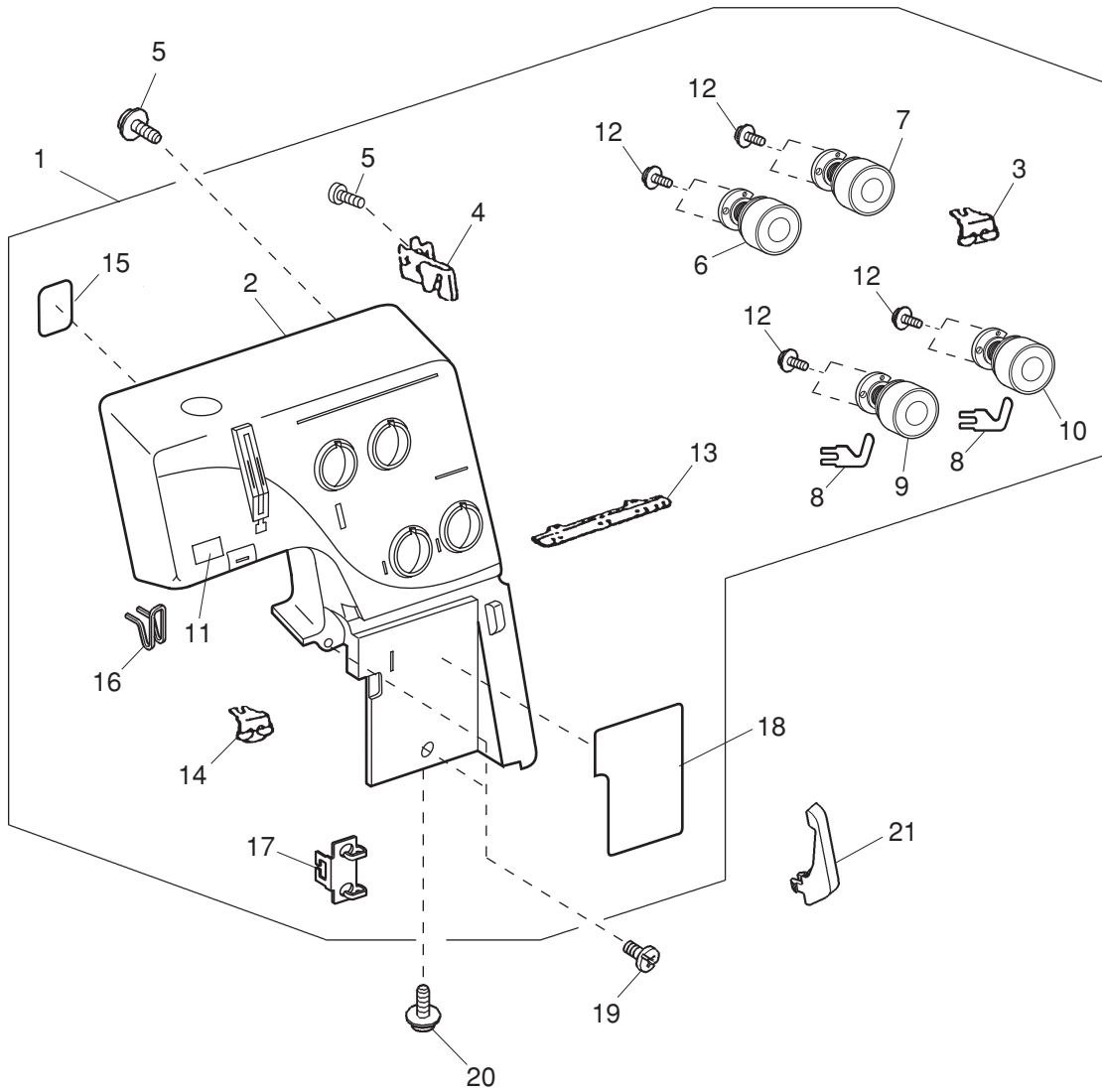


PARTS LIST N161

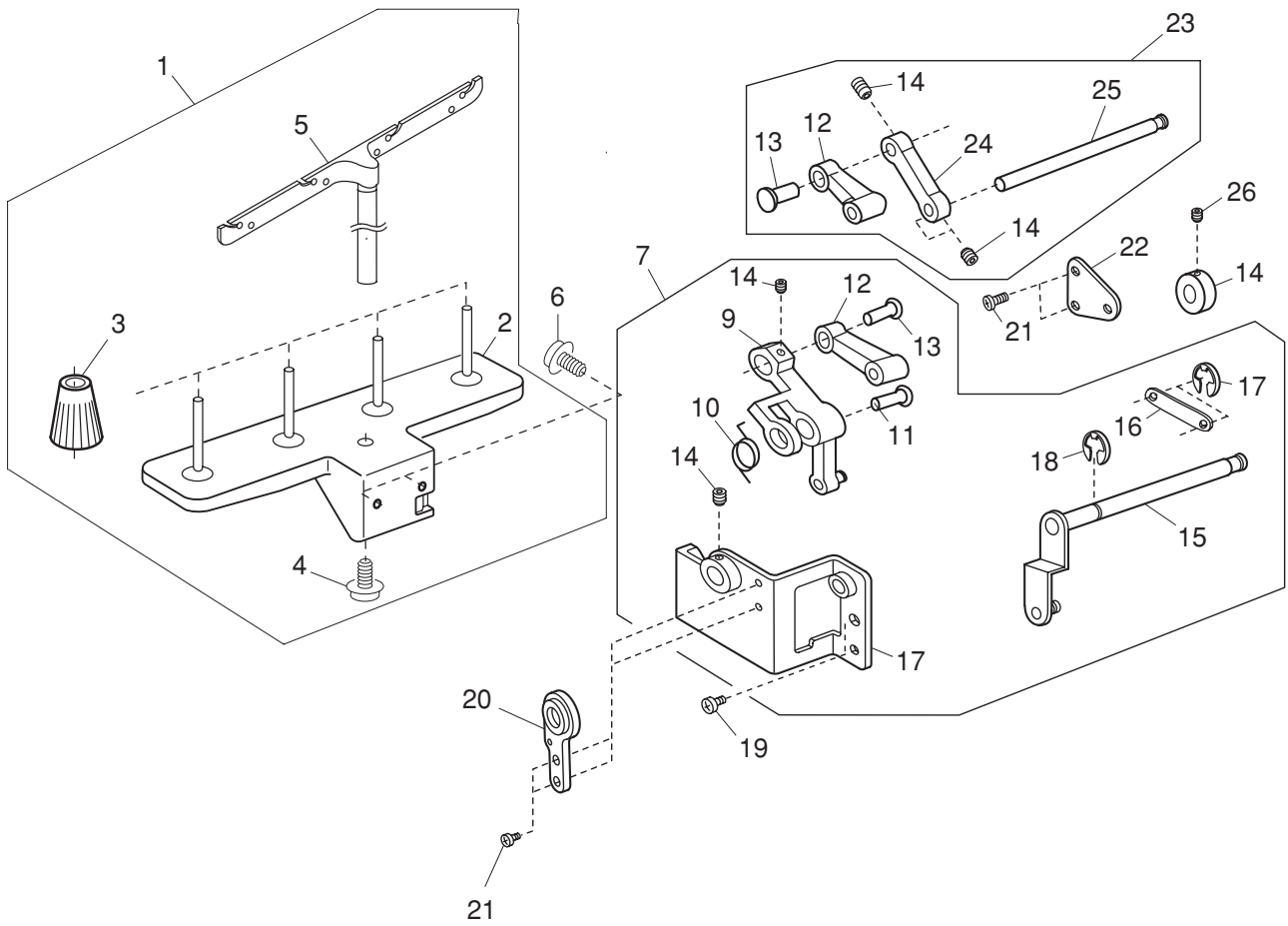
PARTS LIST



PARTS LIST

KEY NO.	PARTS NO.	DESCRIPTION
1	792624219	Front cover (unit)
2	792051507	Front cover
3	785232007	Looper thread guide
4	792612007	Check spring cover (unit)
5	000120203	Tapping screw 3x8 (B)
6	785552154	L. needle tension (unit)
7	785553144	R. needle tension (unit)
8	792019008	Thread guide
9	785554215	U. looper tension (unit)
10	785555191	L. looper tension (unit)
11	888261007	Sticker
12	000114709	TP screw 3x6
13	787363004	Thread guide plate
14	785015002	Needle thread guide 2
15	724025006	Sticker
16	787392002	Thread guide
17	792020002	U.looper thread guide
18	792052003	Sticker
19	000081016	Setscrew 4x8
20	000198305	Tapping screw 4x10 (B)
21	787394004	Take-up lever cover

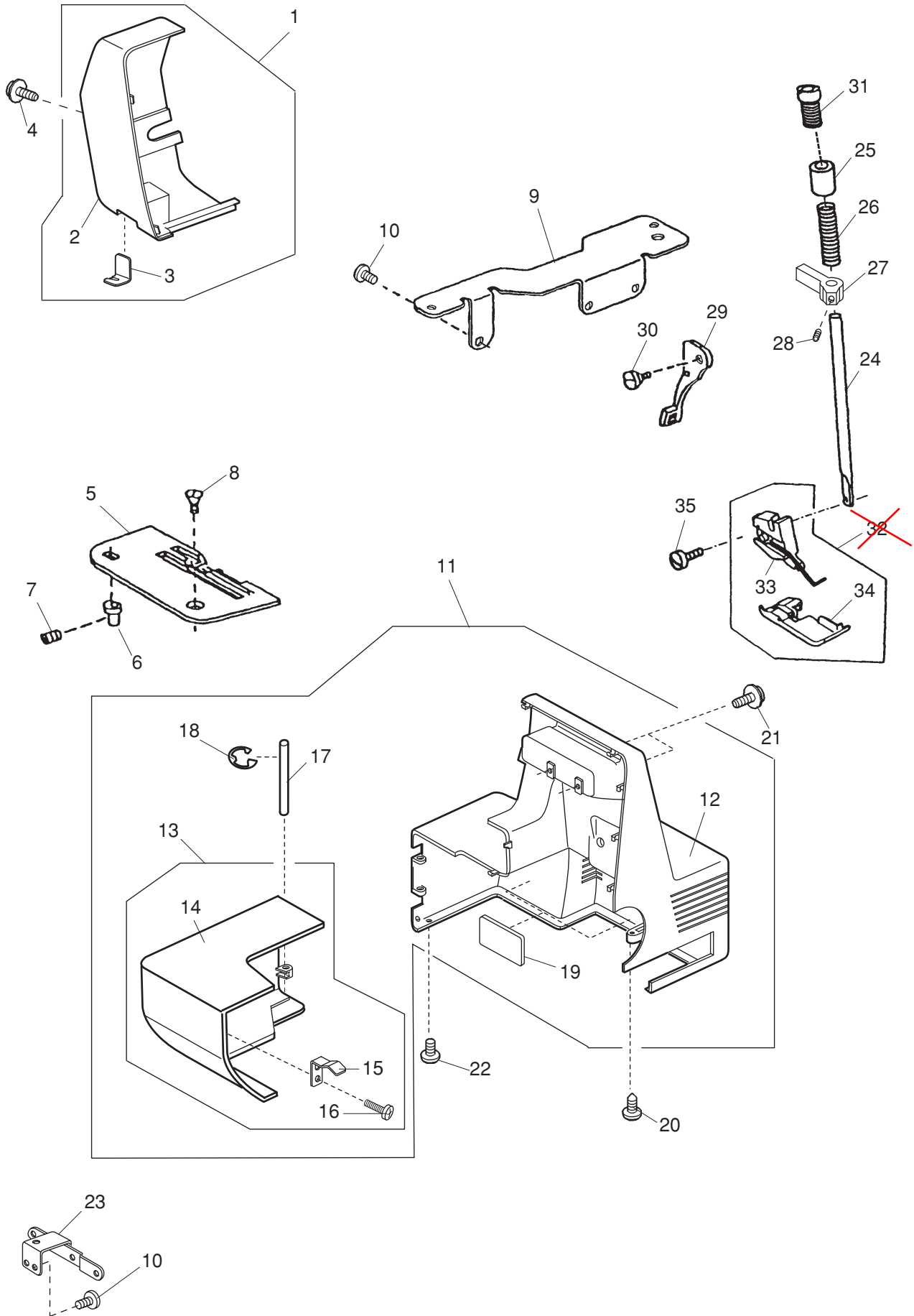
PARTS LIST



PARTS LIST

KEY NO.	PARTS NO.	DESCRIPTION
1	789606008	Spool stand (unit)
2	777011003	Spool stand
3	784223105	Spool holder
4	000115700	TP screw 4x10
5	789607009	Thread guide bar (unit)
6	000114802	TP screw 4x12
7	792611202	Feed adjusting base (unit)
8	793119002	Feed adjusting base
9	787194002	Sub feed connecting arm 3
10	798059008	Spring
11	787195014	Feed connecting pin
12	787067005	Feed link
13	787195003	Feed connecting pin
14	000111201	H. socket screw 4x4
15	792034308	S. feed con arm shaft
16	787081005	Feed con. arm link
17	000002105	Snap ring E-3
18	000001609	Snap ring E-5
19	000103509	Setscrew 4x10
20	793118001	Main shaft set plate (C)
21	000081005	Setscrew 4x8
22	787077008	Con. arm support
23	787637002	Main feed con. arm (unit)
24	787197005	Main feed con. arm 2
25	787198006	Main feed con. shaft
26	650136009	RIng

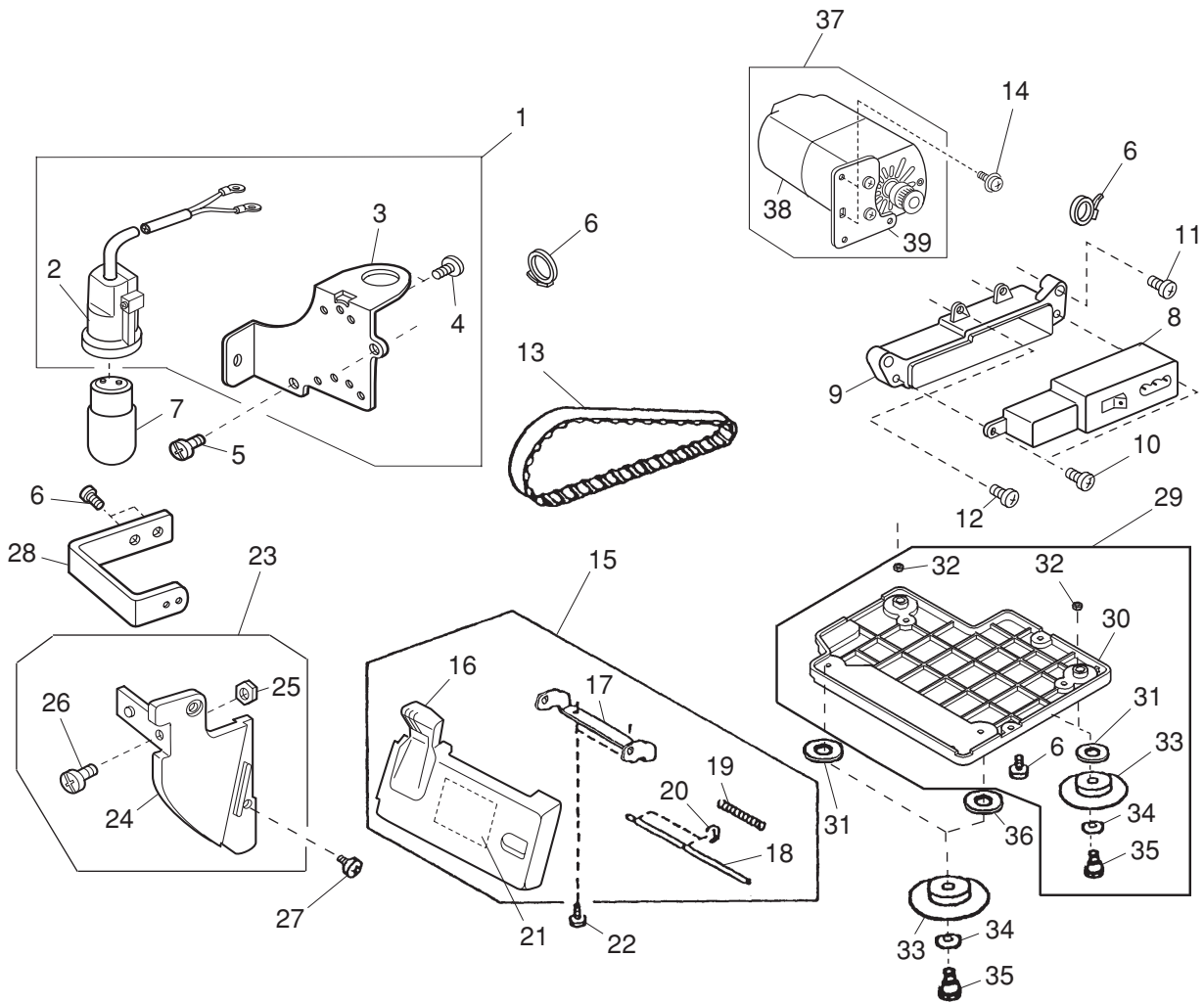
PARTS LIST



PARTS LIST

KEY NO.	PARTS NO.	DESCRIPTION
1	792623012	Face plate (unit)
2	792050001	Face plate
3	840602006	Thread cutter (unit)
4	000115700	TP screw 4x10
5	788601000	Needle plate (unit)
6	789100007	Eccentric pin
7	000111902	H. socket screw 3x4
8	681009101	Flat screw
9	787370004	Handle set plate
10	000081005	Setscrew 4x8
11	792615228	Rear cover (unit)
12	792022163	Rear cover
13	792608505	Side cover (unit)
14	792023201	Side cover
15	787163002	Side cover spring
16	000120203	Tapping screw 3x8 (B)
17	792024006	Side cover shaft
18	000002105	Snap ring E-3
19	794110006	Rubber
20	000198305	Tapping screw 4 x 10 (B)
21	000115618	TP screw 4x8
22	000115607	TP screw 4x8
23	787294003	Rear cover set plate
24	787019002	Presser bar
25	777002001	Bushing
26	787020006	Presser bar spring
27	789117007	Presser bar bracket
28	000111304	H. socket screw 5x5
29	650032015	Presser lifter
30	810431009	Hinge screw
31	777013108	Pressure adjusting screw
32	788501009	Presser foot (unit)
33	787541008	Foot holder (unit)
34	788502000	Presser foot (unit)
35	660106001	Setscrew

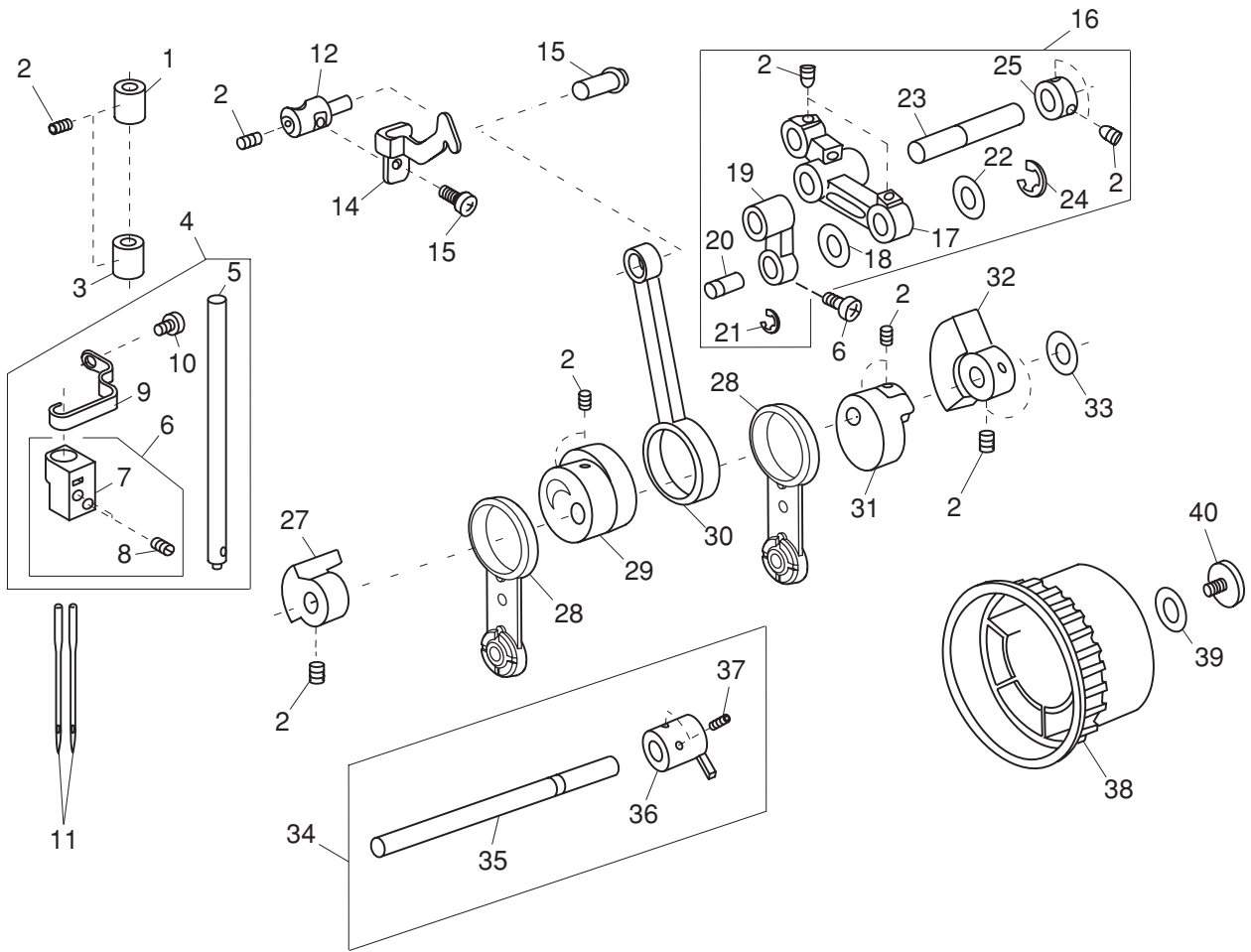
PARTS LIST



PARTS LIST

KEY NO.	PARTS NO.	DESCRIPTION
1	791620108	Lamp socket com. (unit)
2	655681456	Lamp socket
3	789105002	Lamp socket set plate
4	000120203	Setscrew 3x8
5	000101404	Setscrew 4x6
6	000053008	Cord bind
7	000009009	Lamp 240V 15W
8	777502109	Plug con. rec. (unit)
9	784128028	Plug. con. receptacle cover
10	000121905	Tapping screw 4x12 (B)
11	000104108	Setscrew 4x20
12	000081005	Setscrew 4x8
13	793125001	Timing belt
14	000115504	TP screw 5x10
15	792609377	Looper cover (unit)
16	792025340	Looper cover
17	792026008	Looper cover supporter
18	792027009	Looper cover shaft
19	792028000	Looper cover spring
20	000002105	Snap ring E-3
21	789028000	Sticker
22	000115205	TP screw 4x6
23	792610005	Looper cover guide (unit)
24	792029001	Looper cover guide
25	000062402	Nut M4
26	000103510	Setscrew 4x10
27	000078320	Setscrew 3x6
28	787153009	L. cover guide supporter
29	789610049	Base plate (unit)
30	789034009	Base plate
31	787204006	Washer (2)
32	000061205	Nut 4
33	784135006	Rubber cushion
34	000070300	Washer
35	784169009	Hinge screw
36	785260004	Washer
37	792618405	Motor (unit)
38	793503007	Motor
39	788130003	Motor set plate

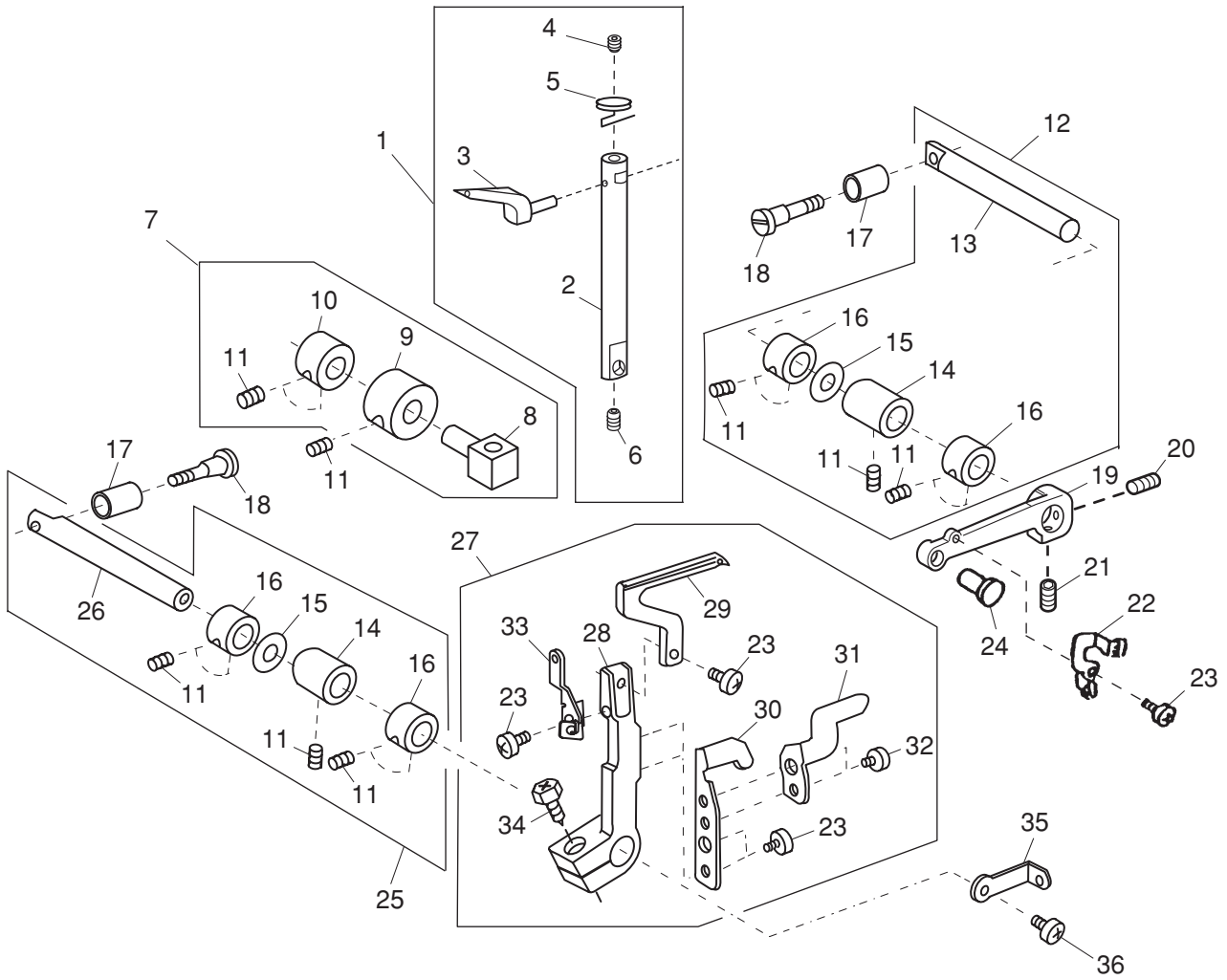
PARTS LIST



PARTS LIST

KEY NO.	PARTS NO.	DESCRIPTION
1	784027004	Needle bar upper bushing
2	000111201	H. socket screw 4x4
3	PREFISSO "J" 784028005	Needle bar lower bushing
4	792601003	Needle bar (unit)
5	792001007	Needle bar
6	792501002	Needle clamp (unit)
7	792002008	Needle clamp
8	888264000	Needle clamp screw
9	792003009	Needle bar thread guide
10	PREFISSO "J" 000078320	Setscrew 3x6
11	784157015	Needle HAx1 SP-14
12	784024001	Needle bar bracked
13	787348003	Take-up lever
14	000078320	Setscrew 3x6
15	PREFISSO "J" 793606001	Needle bar balancer pin (unit)
16	789612007	Needle bar crank (unit)
17	789104001	Needle bar crank
18	PREFISSO "J" 000039905	Washer
19	789007003	Needle bar link
20	784022009	Link pin
21	000001609	Snap ring E-5
22	000038502	Washer
23	PREFISSO "J" 789008004	Needle bar crank shaft
24	000002909	Snap ring E-7
25	PREFISSO "J" 624245001	Ring
26	000101703	Setscrew 4x12
27	792037002	Balance weight (left)
28	792951001	Looper cam ring (unit)
29	793121007	Needle bar cam
30	PREFISSO "J" 793120006	Needle bar crank rod
31	787004107	Upper looper cam
32	787176101	Balance weight (right)
33	000038605	Washer 10x0.5
34	792619015	Main shaft (unit)
35	789001007	Main shaft
36	792041021	Balance ring
37	000111304	H. socket screw 5x5
38	793102002	Handwheel
39	556047007	Washer
40	618070004	Screw

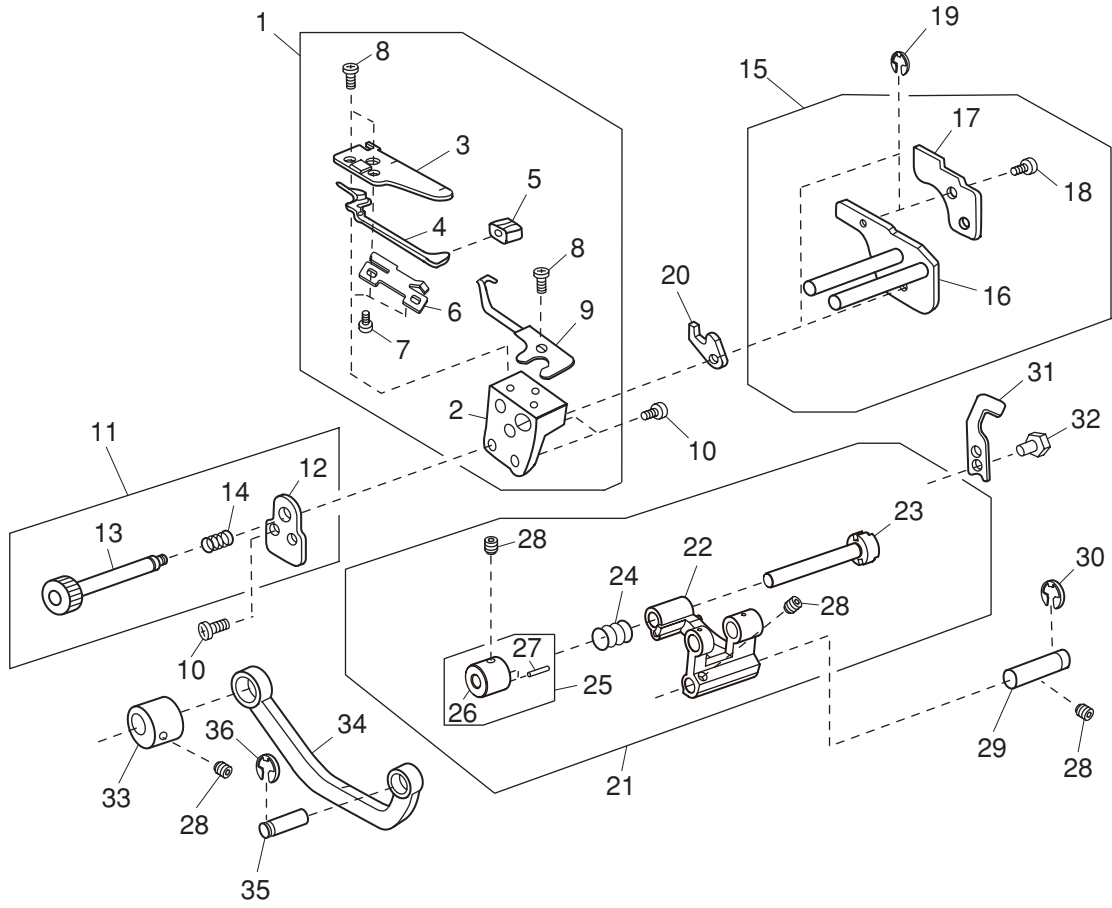
PARTS LIST



PARTS LIST

KEY NO.	PARTS NO.	DESCRIPTION
1	787618007	Upper looper shaft (unit)
2	787111005	Upper looper shaft
3	784076019	Upper looper
4	000112501	H. socket screw 4x4
5	784077009	U. looper thread guide
6	000177205	H. socket screw 3x6
7	792614009	U. looper shaft guide (unit)
8	792038003	U. looper shaft guide
9	792039004	Bushing
10	792048006	Ring
11	000111201	H. socket screw 4x4
12	792630001	Upper looper crank shaft (unit)
13	787105006	U. looper crank shaft
14	787104005	Bushing
15	000038502	Washer
16	792048006	Looper shaft ring
17	787107101	Crank spacer
18	787108009	Crank setscrew
19	789112002	U. looper driving arm
20	000111304	H. socket screw 5x5
21	000110107	H. socket screw 5x5
22	788038000	Looper thread guide (L2)
23	000078320	Setscrew 3x6
24	789116006	Upper looper pin
25	792631002	Lower looper crank shaft (unit)
26	787116000	L. looper crank shaft
27	785610036	Lower looper (unit)
28	785024004	L. looper base (2)
29	784083606	Lower looper
30	787383000	Rear needle guard
31	785023003	Front needle guard
32	000099006	H. socket screw 3x4
33	784085206	L. looper thread guide (3)
34	000138008	H. bolt 4x16
35	785010203	L. looper thread guide
36	000103004	Setscrew 3.5x6

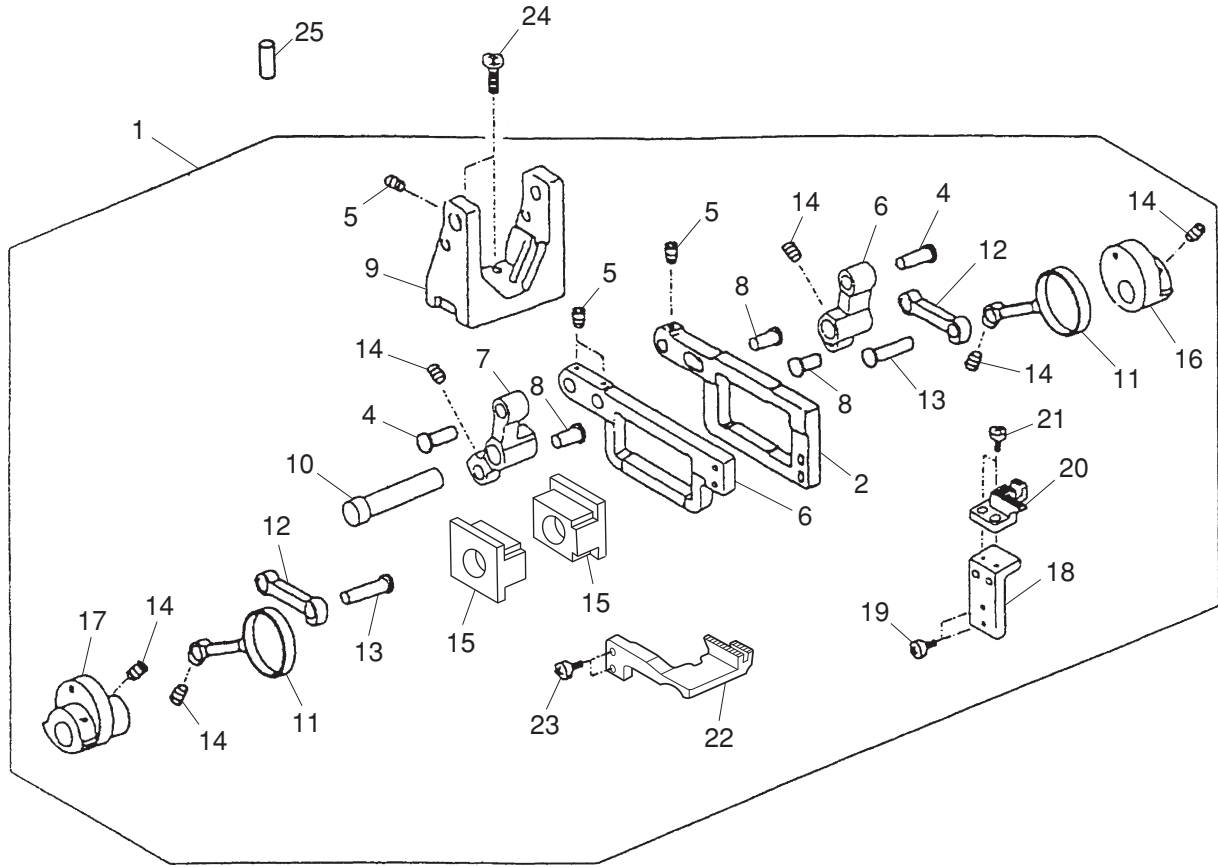
PARTS LIST



PARTS LIST

KEY NO.	PARTS NO.	DESCRIPTION
1	792613008	Chaining finger bracket (unit)
2	788015001	Chaining finger bracket
3	789106003	Chaining finger set plate
4	788017003	Chaining finger
5	787041003	Needle plate setting knob
6	788018004	Chaining finger spring
7	000074603	Setscrew 2x4
8	000078320	Setscrew 3x6
9	788019005	Fixed needle guard
10	000081005	Setscrew 4x8
11	792622000	Lower knife guide shaft (unit)
12	787046008	Guide plate
13	792007003	Lower knife operating shaft
14	787048000	Spring
15	792603005	Lower knife (unit)
16	792005001	Lower knife set plate
17	788013009	Lower knife
18	000102221	Setscrew 4x6
19	000001207	Snap ring E-2.5
20	788021000	Nut
21	793613001	Upper knife drive arm (unit)
22	793105108	Upper knife drive arm
23	793107007	Upper knife supporter
24	793124000	Spring
25	793614002	Upper knife knob (unit)
26	784044100	Upper knife knob
27	000023308	Spring pin 2x20
28	000111201	H. socket screw 4x4
29	787022101	Upper knife driving shaft
30	000002909	Snap ring E-7
31	788127007	Upper knife
32	624303008	H. bolt 4x6
33	788008001	Upper knife drive cam
34	789009005	Upper knife connecting rod
35	787012005	Pin
36	000001609	Snap ring E-5

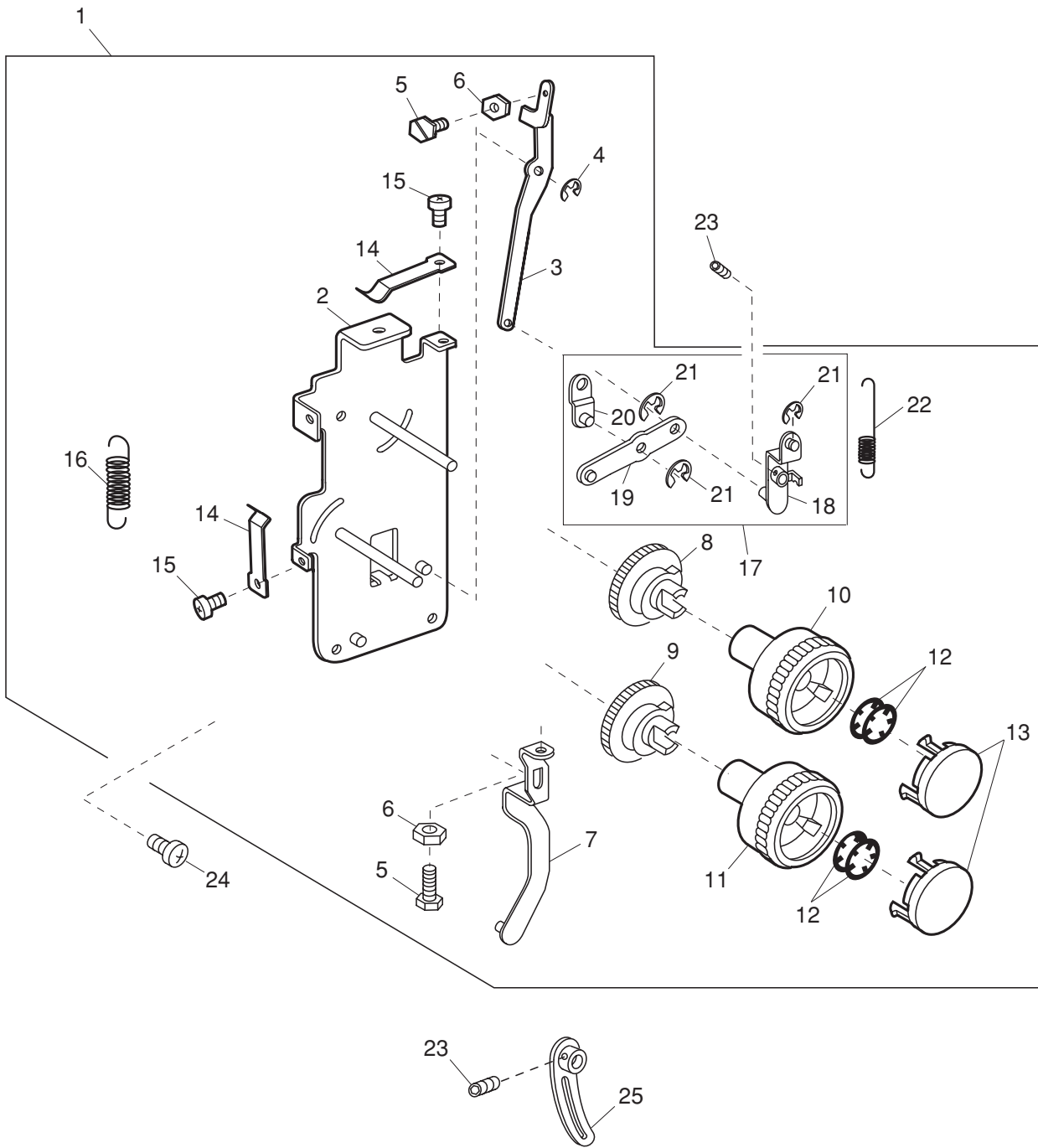
PARTS LIST



PARTS LIST

KEY NO.	PARTS NO.	DESCRIPTION
1	792604006	Feed base (unit)
2	788022001	Main feed base
3	787054009	Main feed base driving arm
4	787055000	Pin
5	000111902	H. socket screw 3x4
6	788024003	Sub feed base
7	787212007	Sub feed driving arm
8	787059004	Pin
9	787305008	Feed base
10	787306009	Feed driving arm shaft
11	787065003	Feed base link
12	787066004	Feed rocking link
13	787068006	Pin
14	000111201	H. socket screw 4x4
15	792008004	Block
16	787072003	Main feed drive cam
17	787073004	Sub feed drive cam
18	788023002	Main feed dog bracket
19	000068811	Setscrew 3.5x10
20	788027006	Main feed dog
21	000066705	Setscrew 3x8
22	789018007	Sub feed dog
23	000104201	Setscrew 3.5x10
24	000201405	TP screw 4x16
25	000005304	Pin

PARTS LIST

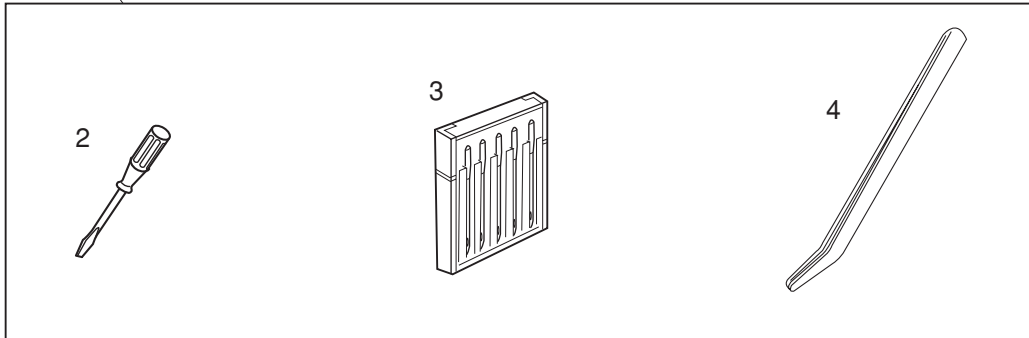


PARTS LIST

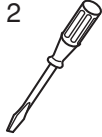
KEY NO.	PARTS NO.	DESCRIPTION
1	792606008	Feed adjuster (unit)
2	792012001	Set plate
3	792013002	Feed rod
4	000001609	Snap ring E-5
5	785224006	Adjustable screw
6	000160102	Adjustable nut
7	792014003	Differential rod
8	792015004	S. length adj. cam
9	788036008	Dif. adj. cam
10	792016108	S. length dial
11	792016153	Dif. dial
12	000013800	Snap ring CS-6
13	787262301	Dial cap
14	787263003	Spring
15	000081119	Setscrew 4x6
16	787259006	Spring
17	792605007	M. feed con. arm (unit)
18	792040008	M. feed con. arm
19	787266006	Feed con. plate
20	788031003	Dif. transfer arm
21	000002105	Snap ring E-3
22	792011000	Spring
23	000111201	H. socket screw 4x4
24	000081005	Setscrew 4x8
25	788032107	Sub feed con. arm

PARTS LIST

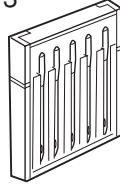
1



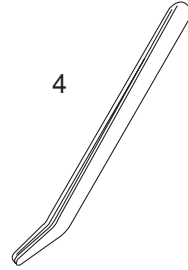
2



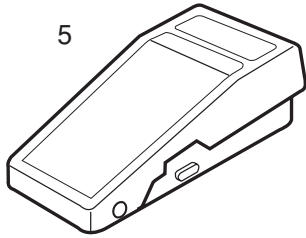
3



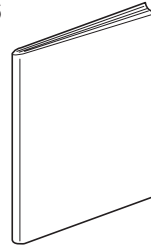
4



5



6



PARTS LIST

KEY NO.	PARTS NO.	DESCRIPTION
1	792870108	Accessory set (unit)
2	792030005	Screwdriver (small)
3	784860100	Needle set (unit)
4	624801001	Tweezer
5	C - 2060	Foot control
6	792800657	Instruction book

PREFISSO "J"