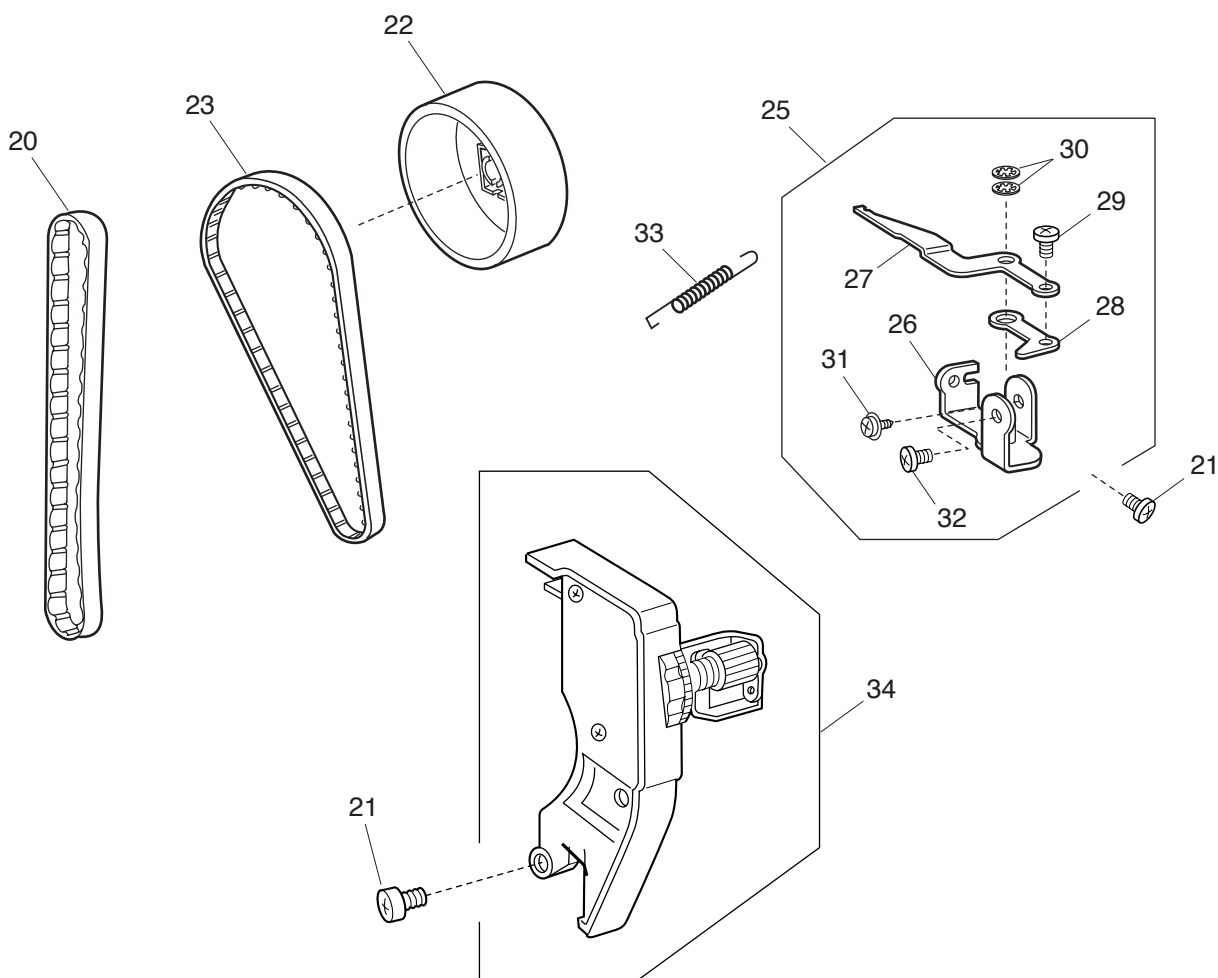
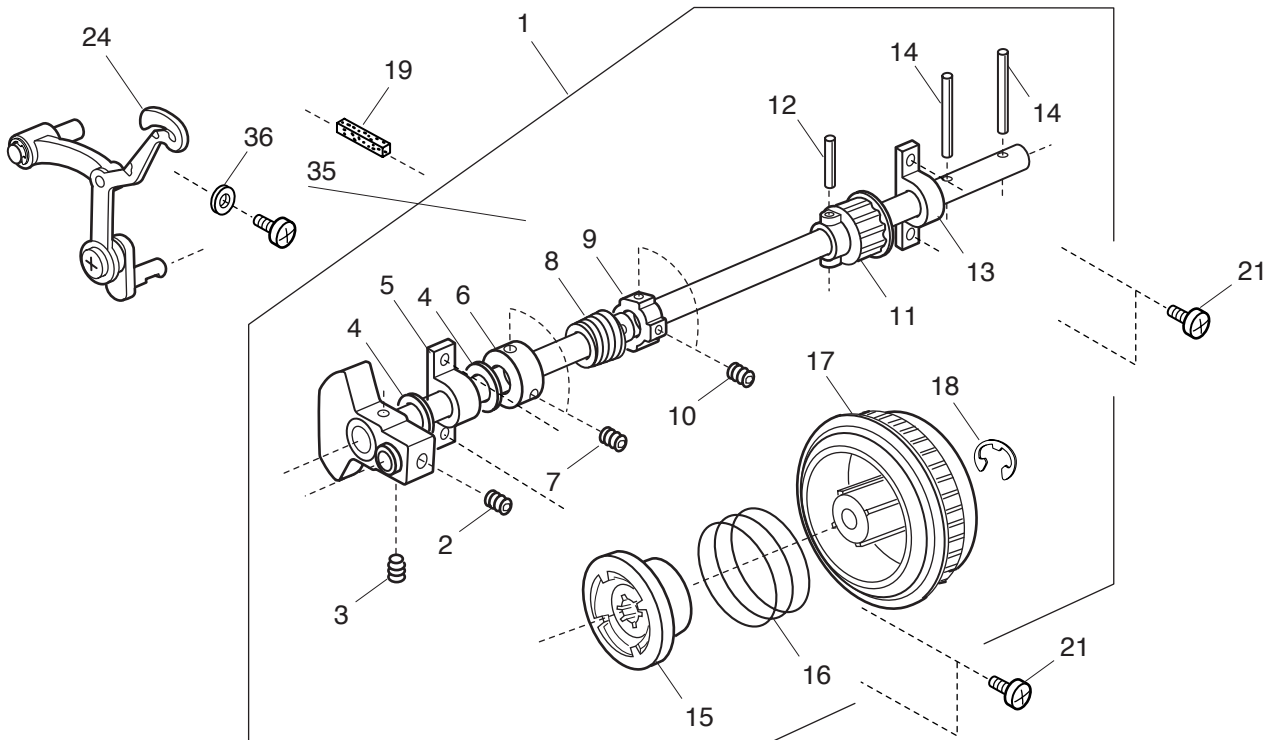


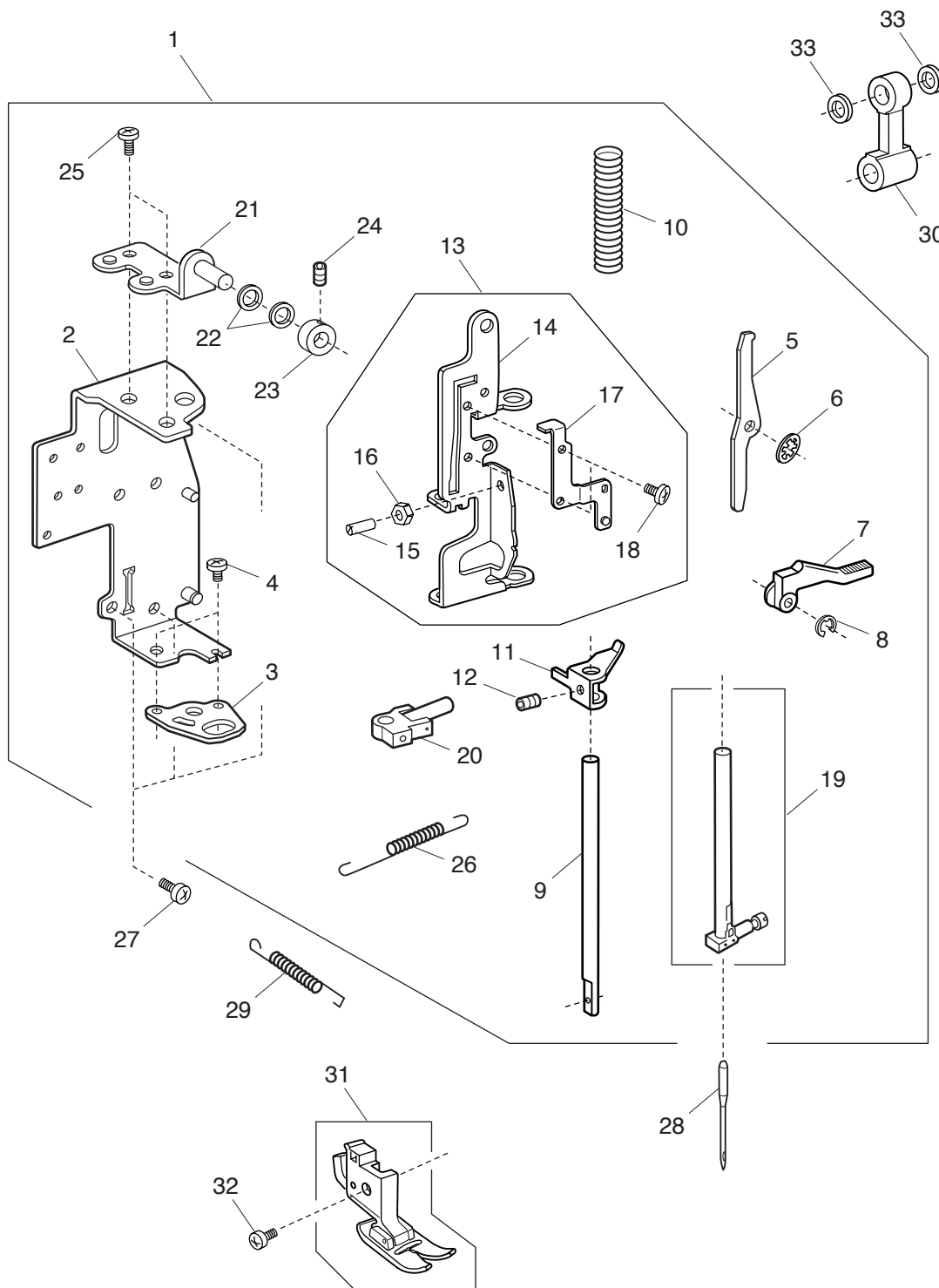
PARTS LIST



PARTS LIST

| KEY NO. | PARTS NO. | DESCRIPTION |
|------------|--------------|--------------------------------------|
| 1 | 508603008 | Upper shaft (unit) |
| 2 | 000111201 | Hexagonal socket screw 4x4 |
| 3 | 000112800 | Hexagonal socket screw 4x6 |
| 4 | 000036201 | Washer FT80 |
| 5 | 508054008 | Shaft fixing metal |
| 6 | 820166001 | Lower shaft ring |
| 7 | 000111201 | Hexagonal socket screw 4x4 |
| 8 | 508019001 | Worm |
| 9 | 508020005 | Ring |
| 10 | 000111108 | Hexagonal socket screw 4x6 |
| 11 | 508021006 | Upper shaft gear |
| 12 | 000004200 | Spring pin 3x18 |
| 13 | 508054101 | Shaft fixing metal |
| 14 | 000024206 | Spring pin 3x30 |
| 15 | 502064003 | Clutch ring |
| 16 | 661024007 | Clutch spring |
| 17 | 508055009 | Belt wheel |
| 18 | 000002806 | Snap ring E-6 |
| 19 | 731312005 | Felt |
| 20 | 508022007 | Syncro belt |
| 21 | 000081005 | Setscrew 4x8 |
| 22 | 508056000 | Handwheel |
| 23 | 753234011 | Timing belt |
| 24 | 508634008 | Thread take-up lever (unit) |
| 25 | 508617005 | Thread tension set plate (unit) |
| 26 | 508051005 | Thread tension set plate |
| 27 | 508052006 | Thread tension release arm |
| 28 | 639025009 | Thread tension release adjusting arm |
| 29 | 000103808 | Setscrew 3x5 |
| 30 | 000013903 | Snap ling SC-5 |
| 31 | 000115205 | Setscrew TP 4x6 |
| 32 | 810220003 | Setscrew |
| 33 | 639026000 | Thread tension release lever spring |
| 34 | 508506000 | Thread tension (unit) |
| 35 | 000103509 | Setscrew 4x10 |
| 36 | 000072302 | Washer 4 |

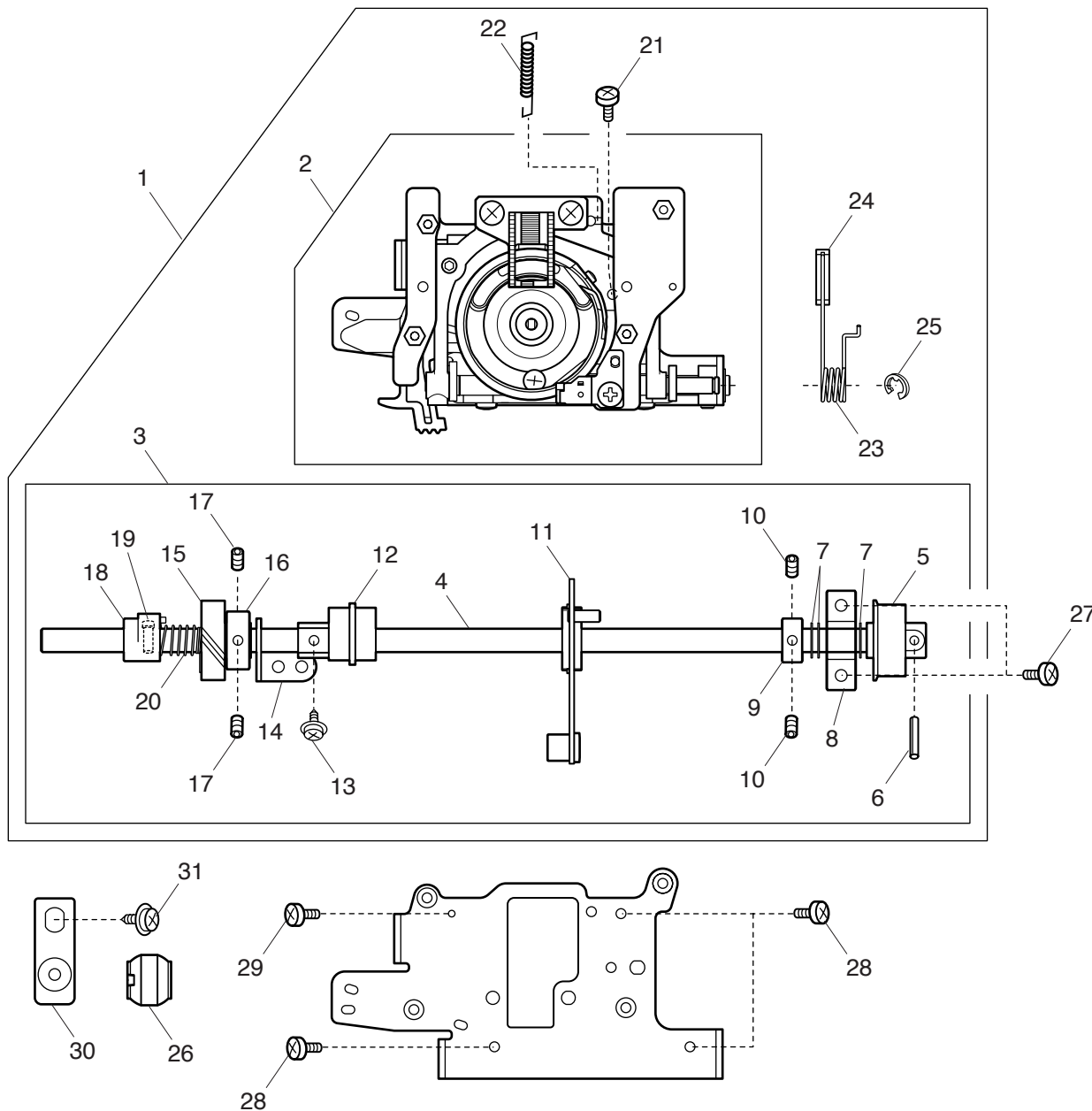
PARTS LIST



PARTS LIST

| KEY NO. | PARTS NO. | DESCRIPTION |
|------------|--------------|-----------------------------------|
| 1 | 508605000 | Presser bar base plate (unit) |
| 2 | 508036004 | Presser bar base plate |
| 3 | 508037005 | Needle drop adjusting plate |
| 4 | 000101507 | Setscrew 3.5x5 |
| 5 | 508040001 | Thread tension release lever |
| 6 | 000013903 | Snap ring CS-5 |
| 7 | 735029004 | Presser foot lifter |
| 8 | 000001609 | Snap ring E-5 |
| 9 | 508002001 | Presser bar |
| 10 | 508038006 | Presser bar spring |
| 11 | 508039007 | Presser bar supporter |
| 12 | 000111500 | Hexagonal socket screw 4x8 |
| 13 | 508606001 | Needle bar supporter (unit) |
| 14 | 508041002 | Needle bar supporter |
| 15 | 648010009 | Setscrew |
| 16 | 000160102 | Adjustable lock nut 4 |
| 17 | 660065007 | Zigzag width rod guide |
| 18 | 000101105 | Setscrew 3x4 |
| 19 | 508607002 | Needle bar (unit) |
| 20 | 508509003 | Needle bar connecting stud (unit) |
| 21 | 660068000 | Supporter adjusting plate |
| 22 | 000036500 | Washer FT60 t=0.5 |
| 23 | 650136009 | Ring |
| 24 | 000111201 | Hexagonal socket screw 4x4 |
| 25 | 000101404 | Setscrew 4x6 |
| 26 | 639110002 | Needle bar supporter spring 2 |
| 27 | 000081005 | Setscrew 4x8 |
| 28 | 102408089 | Needle HA1-14 |
| 29 | 639017008 | Needle bar supporter spring |
| 30 | 508017009 | Needle bar crank rod |
| 31 | 660508007 | Presser foot (unit) |
| 32 | 660106001 | Setscrew |
| 33 | 000036005 | Washer FT60 t=0.25 |

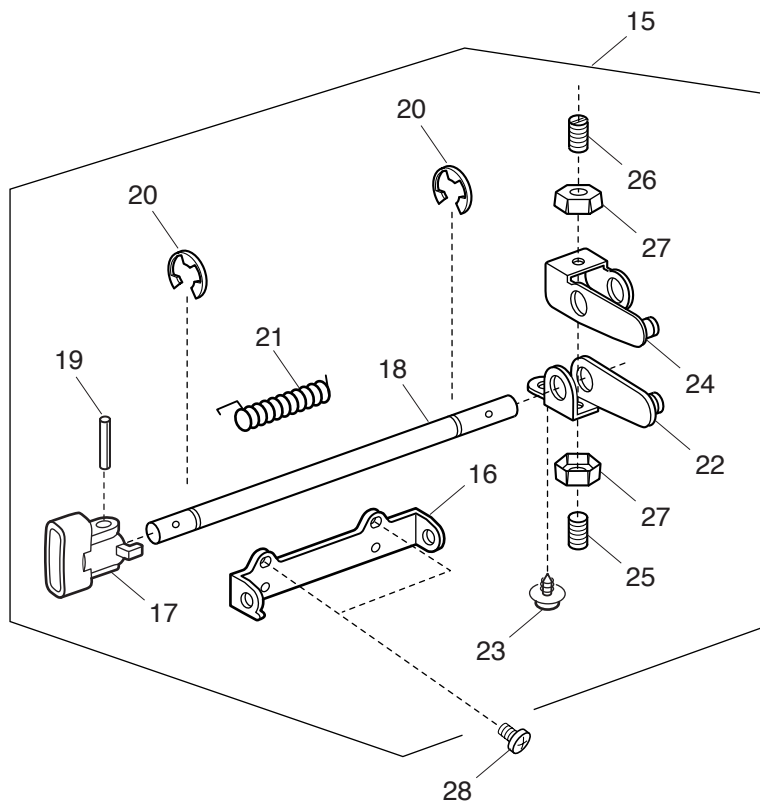
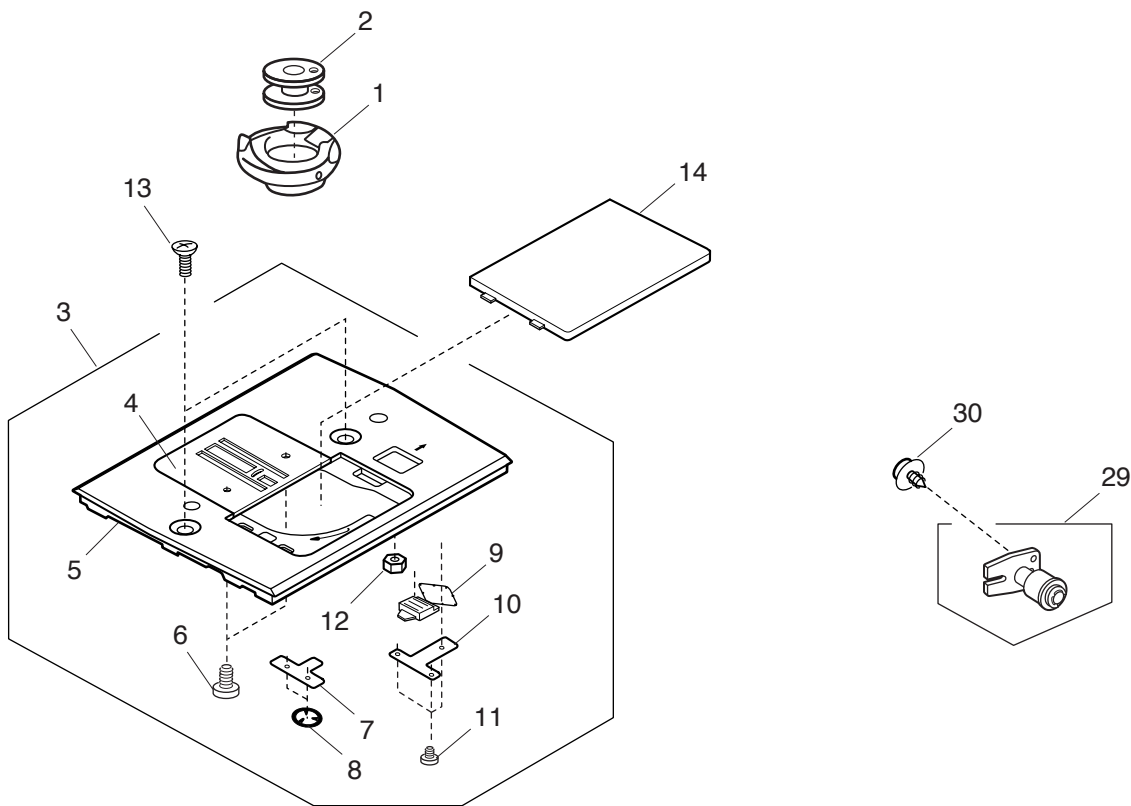
PARTS LIST



PARTS LIST

| KEY NO. | PARTS NO. | DESCRIPTION |
|------------|--------------|-------------------------------|
| 1 | 508636000 | Hook race (whole unit) |
| 2 | 508608003 | Hook race (unit) |
| 3 | 508611009 | Lower shaft (unit) |
| 4 | 508058002 | Lower shaft |
| 5 | 508021006 | Upper shaft gear |
| 6 | 000004200 | Knock pin 3x18 |
| 7 | 000038502 | Washer |
| 8 | 508054101 | Shaft fixing metal |
| 9 | 820166001 | Lower shaft ring |
| 10 | 000111201 | Hexagonal socket screw 4x4 |
| 11 | 508610008 | Feed fork (unit) |
| 12 | 751148000 | Feed cam |
| 13 | 000115009 | Setscrew TP 3x8 |
| 14 | 508098004 | Lower shaft supporter plate |
| 15 | 508023008 | Lower gear |
| 16 | 508020005 | Ring |
| 17 | 000111108 | Hexagonal socket screw 4x6 |
| 18 | 503165008 | Feed lifting cam |
| 19 | 820161006 | Feed lifting pin |
| 20 | 508113006 | Feed lifting cam spring |
| 21 | 000103705 | Setscrew 4x5 |
| 22 | 508063000 | Feed base spring |
| 23 | 508065002 | Feed fork spring |
| 24 | 751152018 | Feed fork spring plate |
| 25 | 000002507 | Snap ring E-4 |
| 26 | 732034003 | Lower shaft bushing |
| 27 | 000081005 | Setscrew 4x8 |
| 28 | 000101703 | Setscrew 4x12 |
| 29 | 000081500 | Setscrew 3x12 |
| 30 | 502204007 | Lower shaft bushing set plate |
| 31 | 000115504 | Setscrew TP 5x10 |

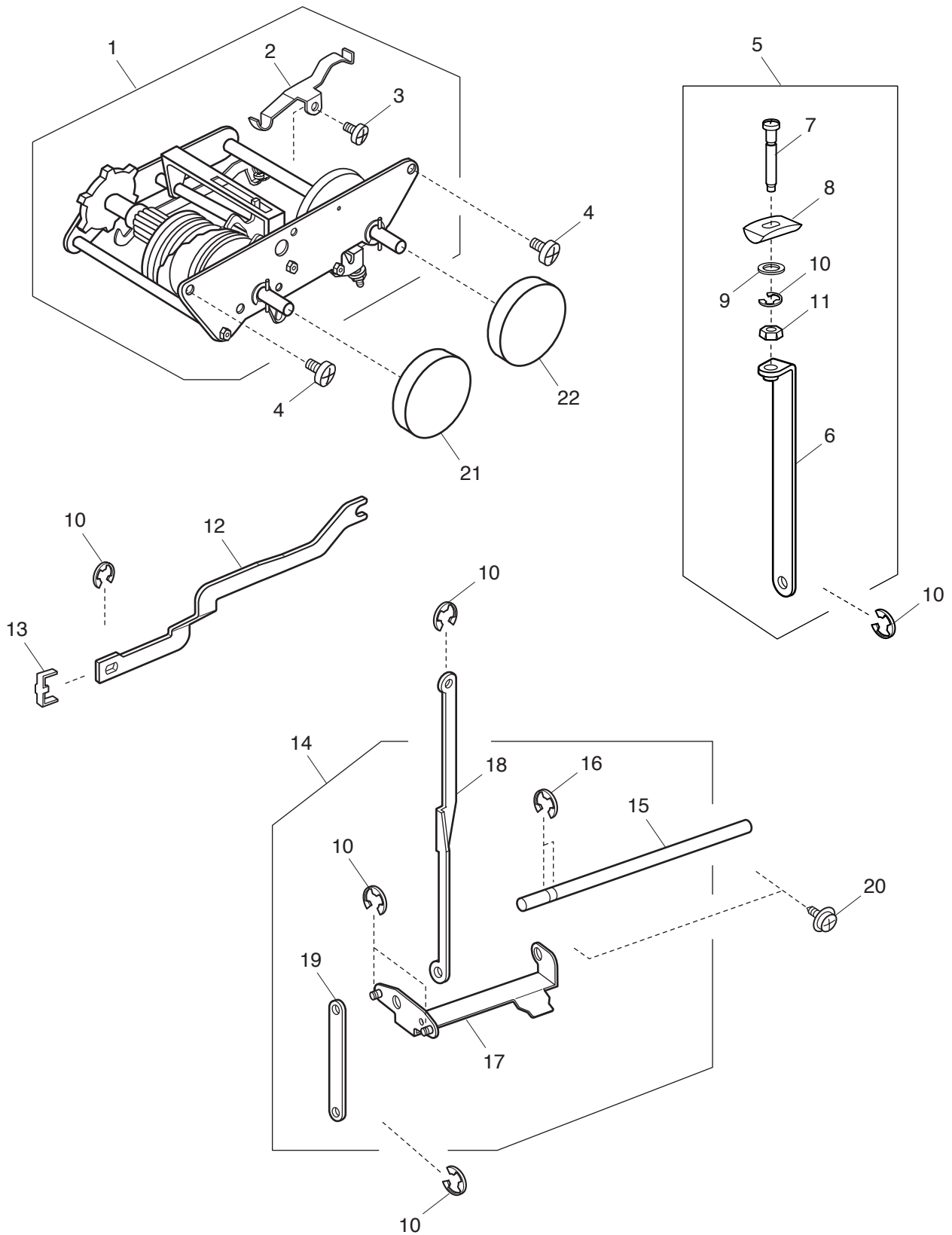
PARTS LIST



PARTS LIST

| KEY NO. | PARTS NO. | DESCRIPTION |
|------------|--------------|---------------------------------|
| 1 | 627569106 | Bobbin holder (unit) |
| 2 | 102261000 | Bobbin |
| 3 | 508612000 | Needle plate (unit) |
| 4 | 508033104 | Needle plate |
| 5 | 508034002 | Support needle plate |
| 6 | 000163703 | Setscrew 2x3.5 |
| 7 | 502015009 | Spring |
| 8 | 000015503 | Snap ring CS-2.4 |
| 9 | 502016000 | Hook cover plate release button |
| 10 | 502202005 | Supporter plate |
| 11 | 000130206 | Setscrew 1.7x2.5 (B) |
| 12 | 508116009 | Nut |
| 13 | 820390109 | Setscrew |
| 14 | 846271103 | Hook cover plate |
| 15 | 508613001 | Feed regulator (unit) |
| 16 | 508095001 | Feed regulator shaft supporter |
| 17 | 508067004 | Feed regulator |
| 18 | 508068005 | Feed regulator shaft |
| 19 | 000005108 | Spring pin 2x18 |
| 20 | 000001609 | Snap ring E-5 |
| 21 | 508069006 | Feed regulator spring |
| 22 | 508070000 | Feed shaft set plate |
| 23 | 000115906 | Setscrew TP 3x12 |
| 24 | 508071001 | Feed regulating plate |
| 25 | 648010009 | Setscrew |
| 26 | 000159201 | Setscrew 4x12 |
| 27 | 000160102 | Adjustable lock nut 4 |
| 28 | 000081005 | Setscrew 4x8 |
| 29 | 509614002 | Idler (unit) |
| 30 | 000115607 | Setscrew TP 4x8 |

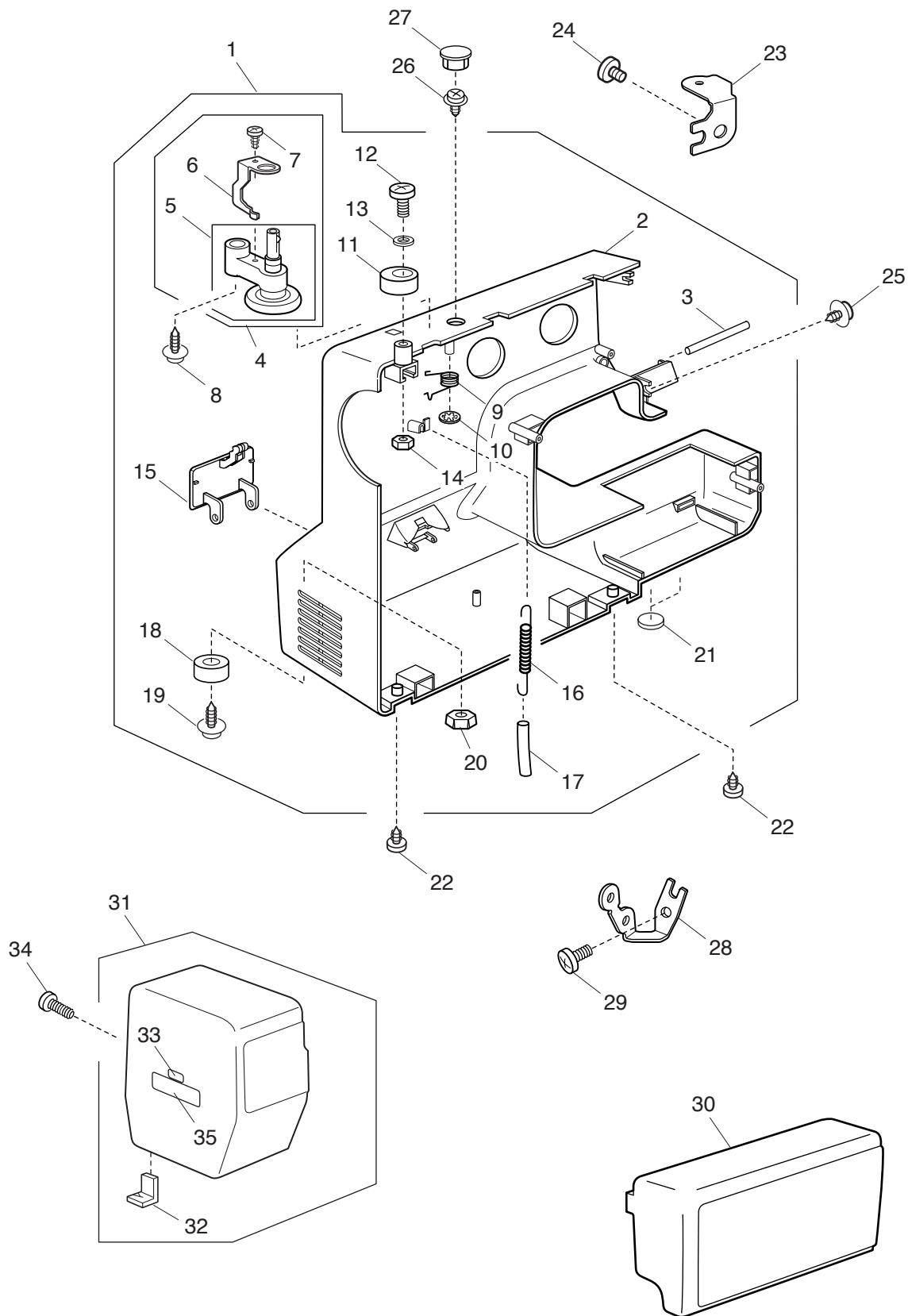
PARTS LIST



PARTS LIST

| KEY NO. | PARTS NO. | DESCRIPTION |
|------------|--------------|-----------------------------|
| 1 | 508615003 | Cam block (unit) |
| 2 | 737011009 | Index spring |
| 3 | 000103808 | Setscrew 3x5 |
| 4 | 000081005 | Setscrew 4x8 |
| 5 | 508637001 | SS rod (unit) |
| 6 | 508086009 | SS rod |
| 7 | 735074004 | Adjusting screw |
| 8 | 735076006 | SS rod block |
| 9 | 000071013 | Washer 4 |
| 10 | 000002105 | Snap ring E-3 |
| 11 | 000160102 | Adjustable lock nut 4 |
| 12 | 508089002 | Zigzag width rod |
| 13 | 639098003 | Zigzag width rod back plate |
| 14 | 508616004 | Reverse stitch shaft (unit) |
| 15 | 508099005 | Reverse stitch shaft |
| 16 | 000001609 | Snap ring E-5 |
| 17 | 508101001 | Feed link |
| 18 | 508087000 | Feed rod (1) |
| 19 | 508106006 | Feed rod (2) |
| 20 | 000115700 | Setscrew TP 4x10 |
| 21 | 508088104 | Dial |
| 22 | 508088300 | Dial (Russia) |
| | 508088207 | Dial |
| | 508088403 | Dial (Russia) |

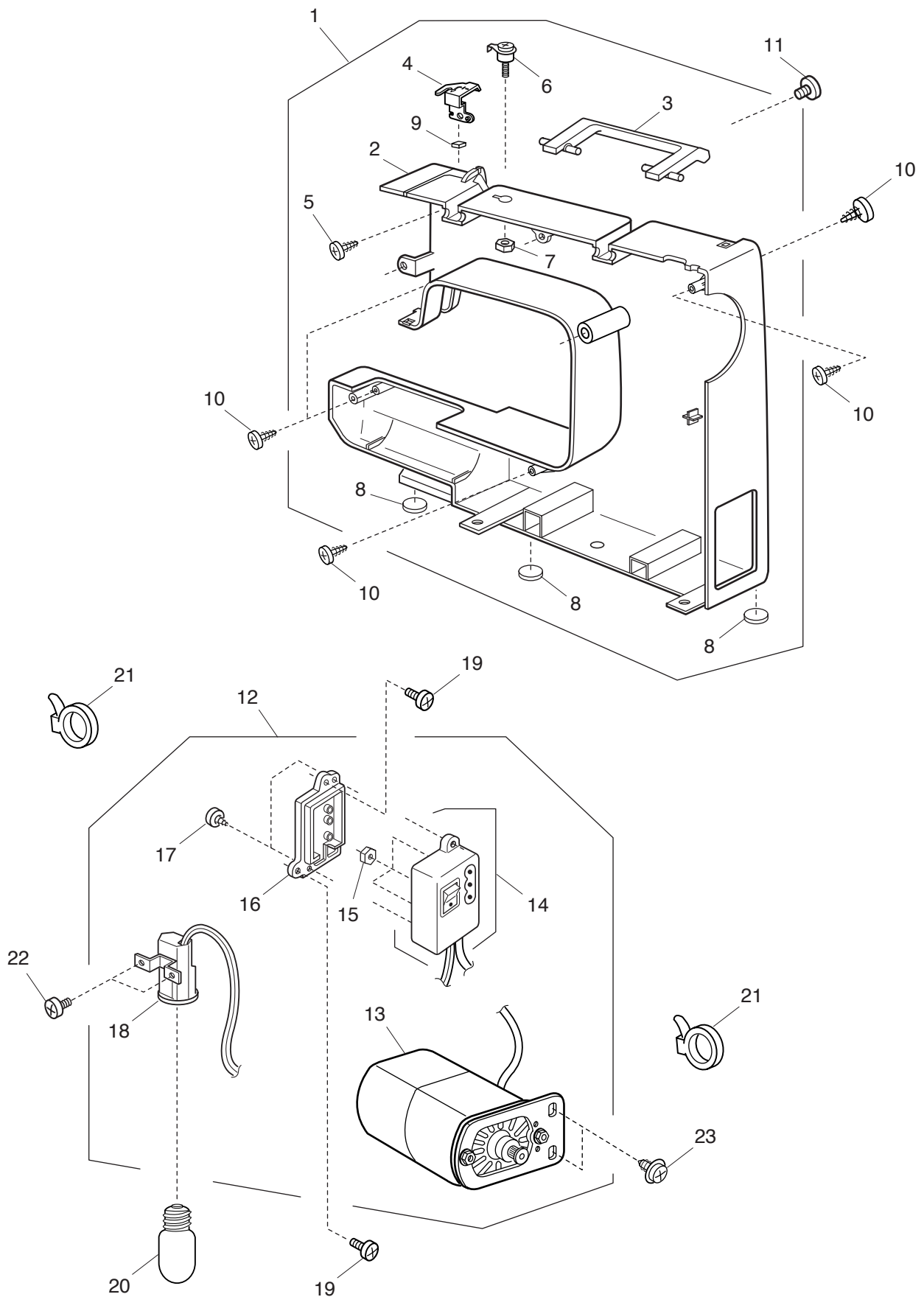
PARTS LIST



PARTS LIST

| KEY NO. | PARTS NO. | DESCRIPTION |
|------------|--------------|--|
| 1 | 508619007 | Front cover (unit) |
| | 508619018 | Front cover (unit) (Russia) |
| 2 | 508090109 | Front cover |
| 3 | 639075004 | Thread guide |
| 4 | 508620001 | Bobbin winder (unit) |
| 5 | 508507001 | Bobbin winder arm (unit) |
| 6 | 508111004 | Clutch lever |
| 7 | 000120203 | Setscrew 3x8 (B) |
| 8 | 000109103 | Setscrew 4x12 |
| 9 | 508030008 | Spring |
| 10 | 000013903 | Snap ring CS-5 |
| 11 | 735016307 | Bobbin winder stopper |
| 12 | 000101828 | Setscrew 4x16 |
| 13 | 000071013 | Washer |
| 14 | 000061205 | Nut 4-3-7 |
| 15 | 508100000 | Reverse button |
| 16 | 508031009 | Reverse button spring |
| 17 | 652102013 | Spring cover |
| 18 | 639005003 | Rubber foot |
| 19 | 000201405 | Setscrew TP 4x16 |
| 20 | 000160102 | Adjustable lock nut 4 |
| 21 | 525010005 | Rubber foot |
| 22 | 000161310 | Setscrew 3x12 (B) |
| 23 | 508093009 | Front cover set plate |
| 24 | 000101404 | Setscrew 4x6 |
| 25 | 000115205 | Setscrew TP 4x6 |
| 26 | 000115009 | Setscrew TP 3x8 |
| 27 | 653006101 | Cap |
| 28 | 639080002 | Front cover set plate |
| 29 | 000081005 | Setscrew 4x8 |
| 30 | 508032000 | Extension table |
| 31 | 508621002 | Face plate (unit) (U.S.A.) |
| | 508621013 | Face plate (unit) (Canada) |
| | 508321024 | Face plate (unit) (UK) (Continental Europe) (Russia) |
| 32 | 840602006 | Thread cutter (unit) |
| 33 | 100411104 | Lamp sticker |
| 34 | 000105419 | Setscrew 4x20 |
| 35 | 100517008 | Caution sticker (Canada) |

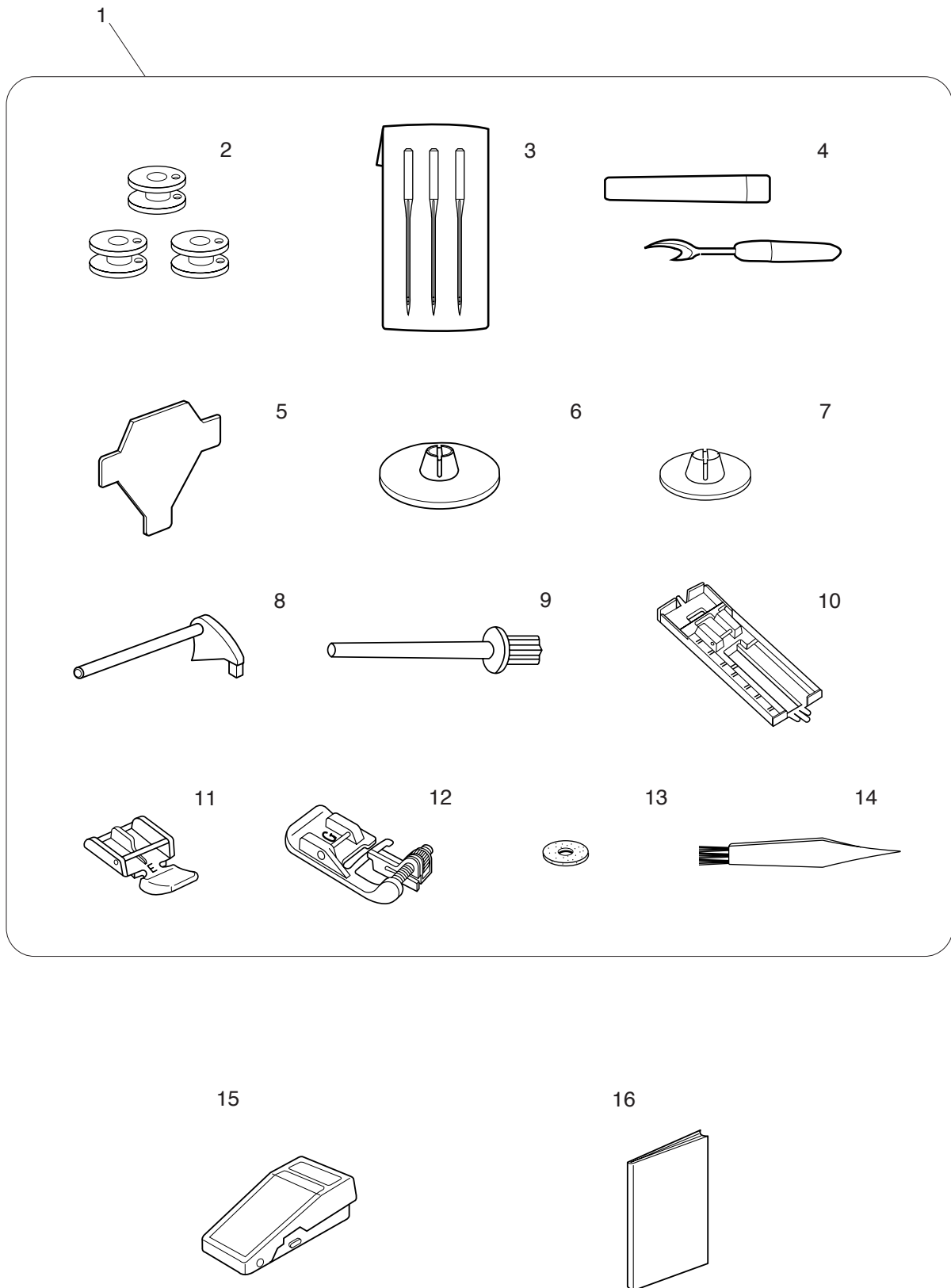
PARTS LIST



PARTS LIST

| KEY NO. | PARTS NO. | DESCRIPTION |
|------------|--------------|---|
| 1 | 508618006 | Rear cover (unit) |
| 2 | 508027105 | Rear cover |
| 3 | 508028003 | Carrying handle |
| 4 | 660618001 | Threader guide plate (unit) |
| 5 | 000107905 | Setscrew 3x6 (B) |
| 6 | 730501011 | Threader guide plate (unit) |
| 7 | 000160102 | Adjustable lock nut 4 |
| 8 | 525010005 | Rubber foot |
| 9 | 660077002 | Felt |
| 10 | 000161310 | Setscrew 3x12 (B) |
| 11 | 000081005 | Setscrew 4x8 |
| 12 | 508622003 | Machine socket (unit) (U.S.A) |
| | 508622106 | Machine socket (unit) (Canada) |
| | 508631005 | Machine socket (unit) (Australia) (UK) (Continental Europe) (Russia) |
| 13 | 508623004 | Motor (unit) 120V |
| | 508632006 | Motor (unit) 220V |
| 14 | 739505702 | Machine socket (unit) |
| 15 | 000060802 | Nut 3-1-5.5 |
| 16 | 739037007 | Machine socket cover |
| 17 | 000107802 | Setscrew 3x10 (B) |
| 18 | 639512709 | Lamp socket (unit) |
| 19 | 000103509 | Setscrew 4x10 |
| 20 | 000008606 | Lamp 120V 15W E12 |
| | 000009009 | Lamp 240V 15W BA15D (Australia) (UK) (Continental Europe) (Russia) |
| 21 | 000053008 | Cord binder |
| 22 | 000103808 | Setscrew 3x5 |
| 23 | 000115504 | Setscrew TP 5x10 |

PARTS LIST



PARTS LIST

| KEY NO. | PARTS NO. | DESCRIPTION |
|------------|--------------|--------------------------|
| 1 | 508870008 | Accessory set |
| 2 | 102261000 | Bobbin |
| 3 | 639804000 | Needle set (unit) |
| 4 | 647808009 | Seam ripper |
| 5 | 653802002 | Screw driver |
| 6 | 822020503 | Large spool holder |
| 7 | 822019509 | Small spool holder |
| 8 | 660005010 | Additional spool pin |
| 9 | 625031500 | Additional spool pin (2) |
| 10 | 825813016 | Buttonhole foot |
| 11 | 829801002 | Zipper foot |
| 12 | 820817015 | Blind hem foot |
| 13 | 102403109 | Felt |
| 14 | 802424004 | Lint brush |
| 15 | C-1028 | Foot control |
| 16 | 508800007 | Instruction book |
