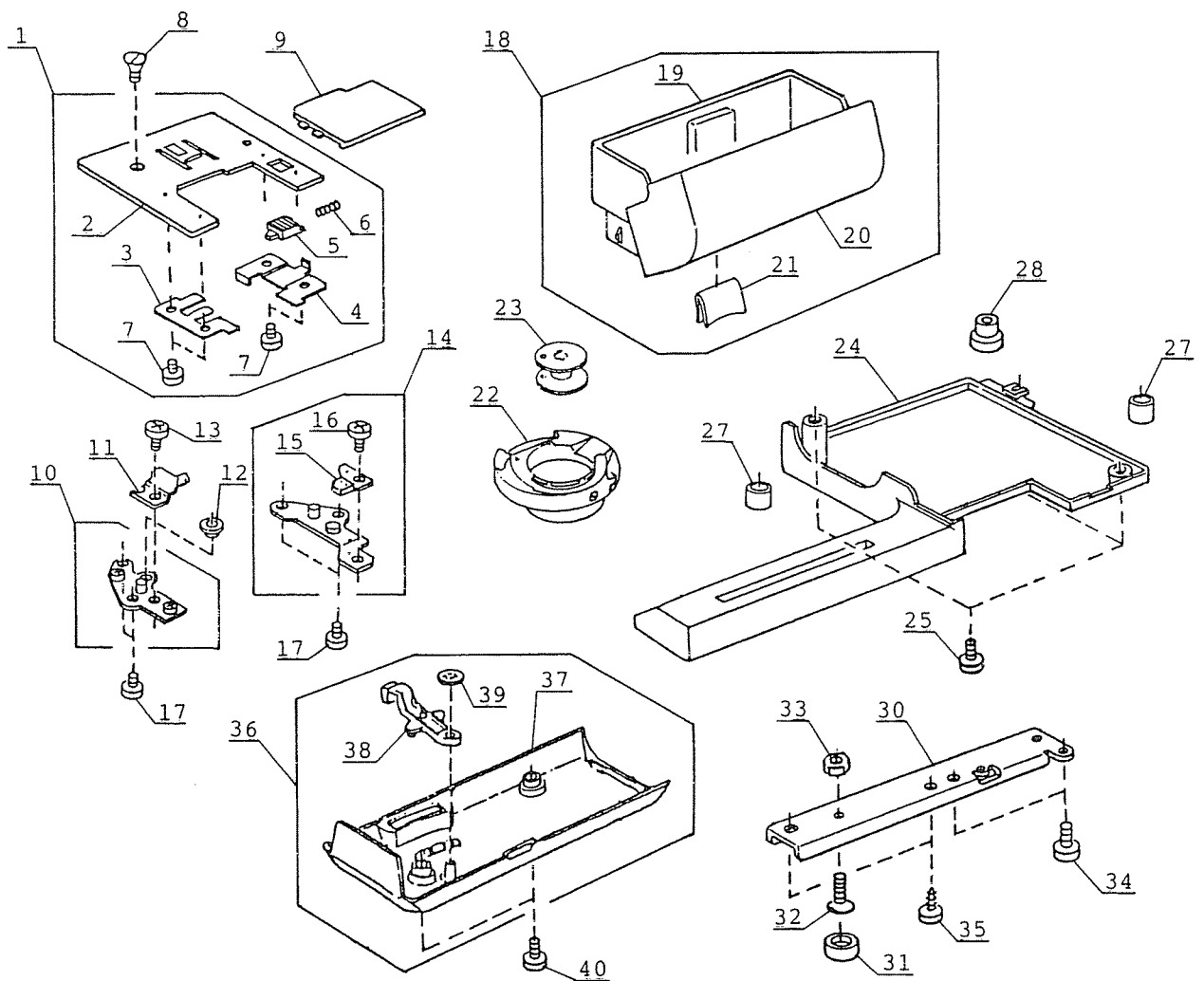
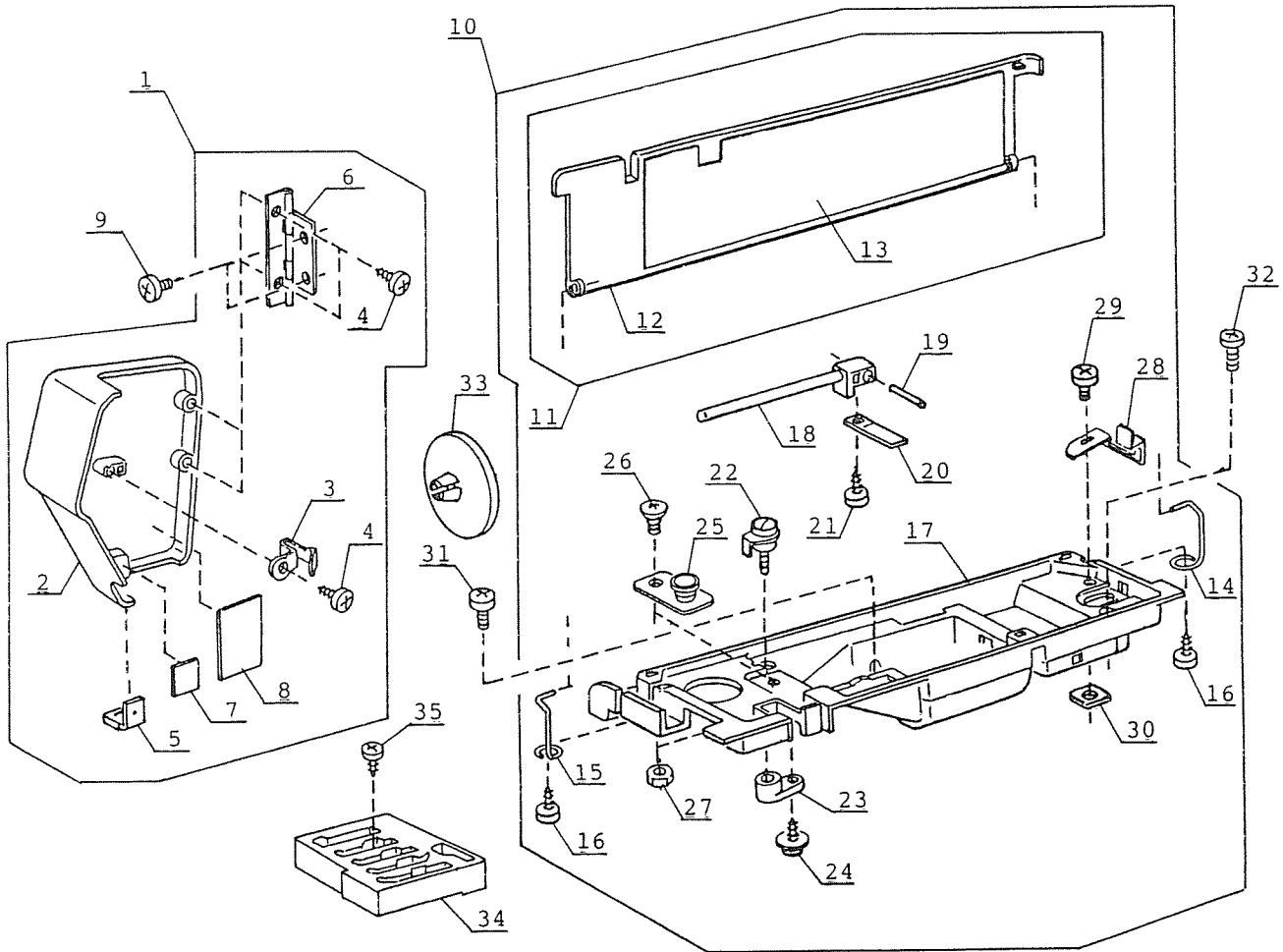


# PARTS LIST

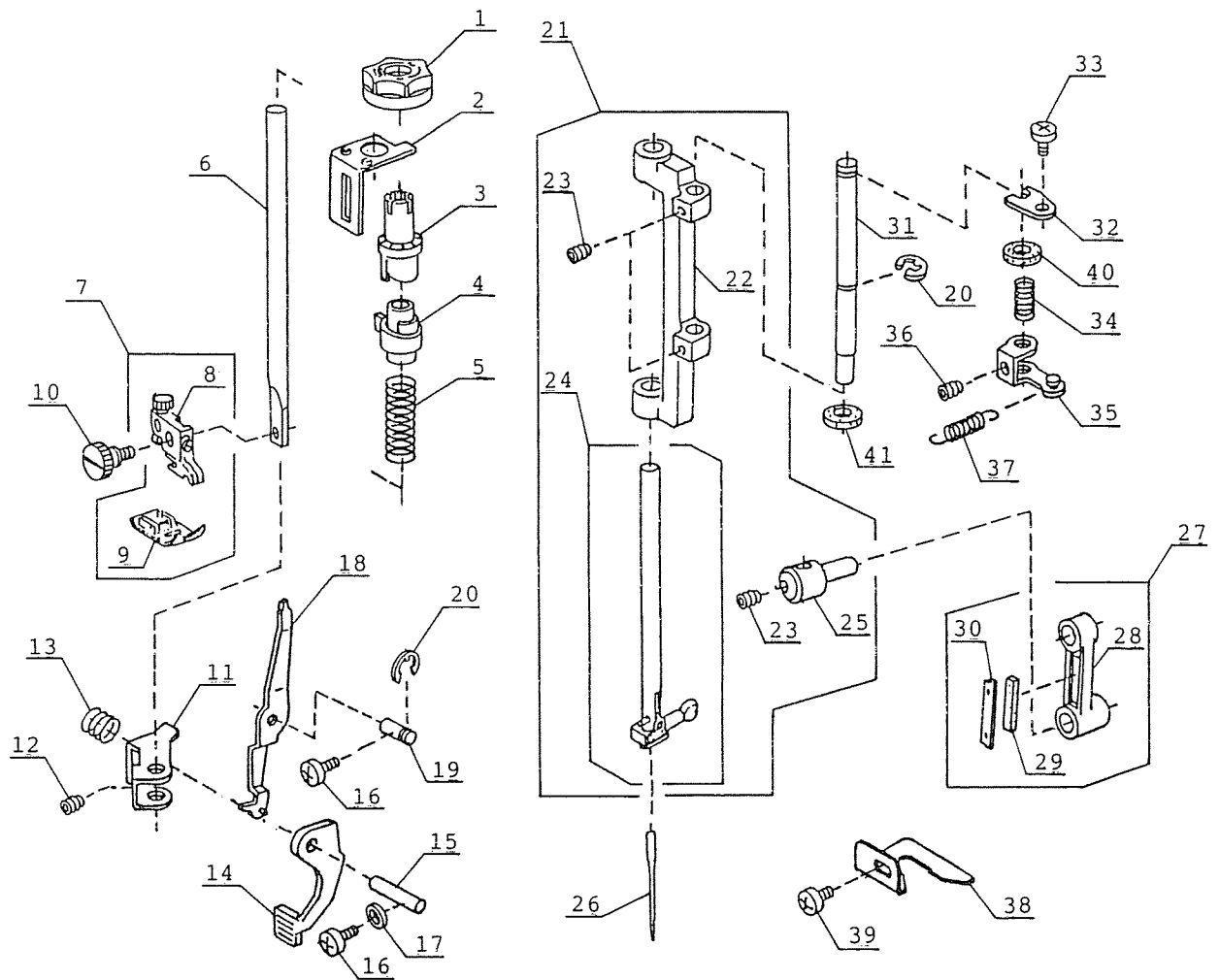
MODEL MS3015



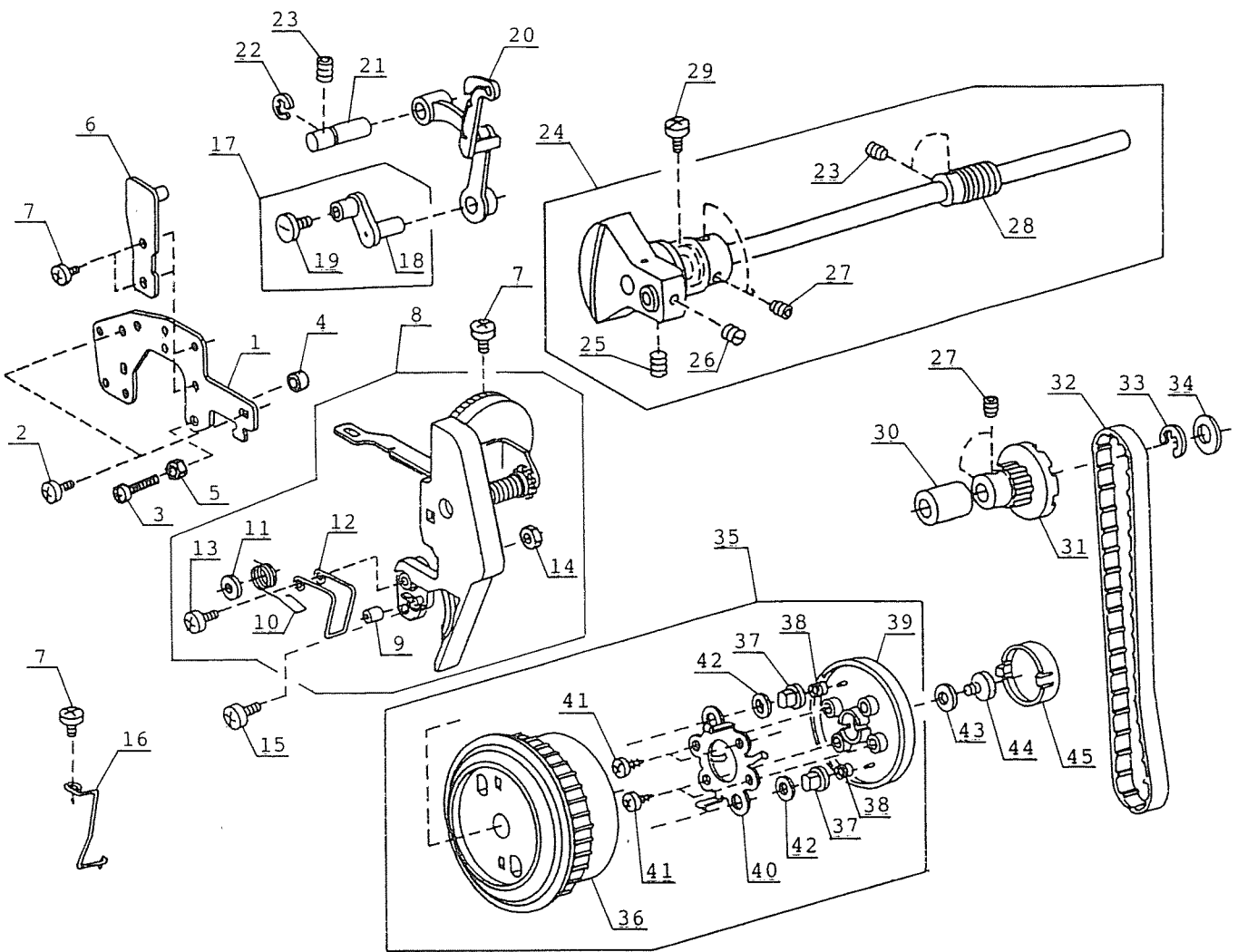
No.	Part No.	Part Name	No.	Part No.	Part Name
1	652629000	Needle plate complete (unit)	24	753003008	Base
2	652518005	Needle plate (unit)	25	000081005	Set screw 4 x 8
3	825014008	Slide plate holder (left)	27	647009002	Bed rubber seat
4	825015010	Slide plate holder (right)	28	735003002	Rubber shoe
5	825016000	Slide plate release button	30	753002007	Arm sole
6	825017001	Slide plate release button spring	31	735002001	Rubber shoe
7	820374004	Set screw 2 x 2.3	32	000097303	Set screw
8	820390109	Needle plate set screw	33	000061319	Hexagon nut 5-1-8
9	825018013	Slide plate	34	000066808	Set screw 6 x 14
10	650602001	Needle plate supporter (left) (unit)	35	000075604	Set screw 4 x 12
11	822011109	Pawl plate	36	753601002	Bed cover (unit)
12	822314002	Nut	37	652005107	Bed cover
13	000103808	Set screw 3 x 5	38	753005000	Drop lever
14	650603002	Needle plate supporter (right) (unit)	39	000013903	Snap ring CS-5
15	627567001	Bobbin holder stopper (unit)	40	000101703	Set screw 4 x 12
16	810220003	Set screw			
17	000107503	Tapping screw 4 x 6			
18	753526002	Extension table (unit)			
19	753006001	Extension table			
20	753007002	Extension table cover			
21	686010007	Extension table spring			
22	627569106	Bobbin holder (unit)			
23	102261103	Bobbin			



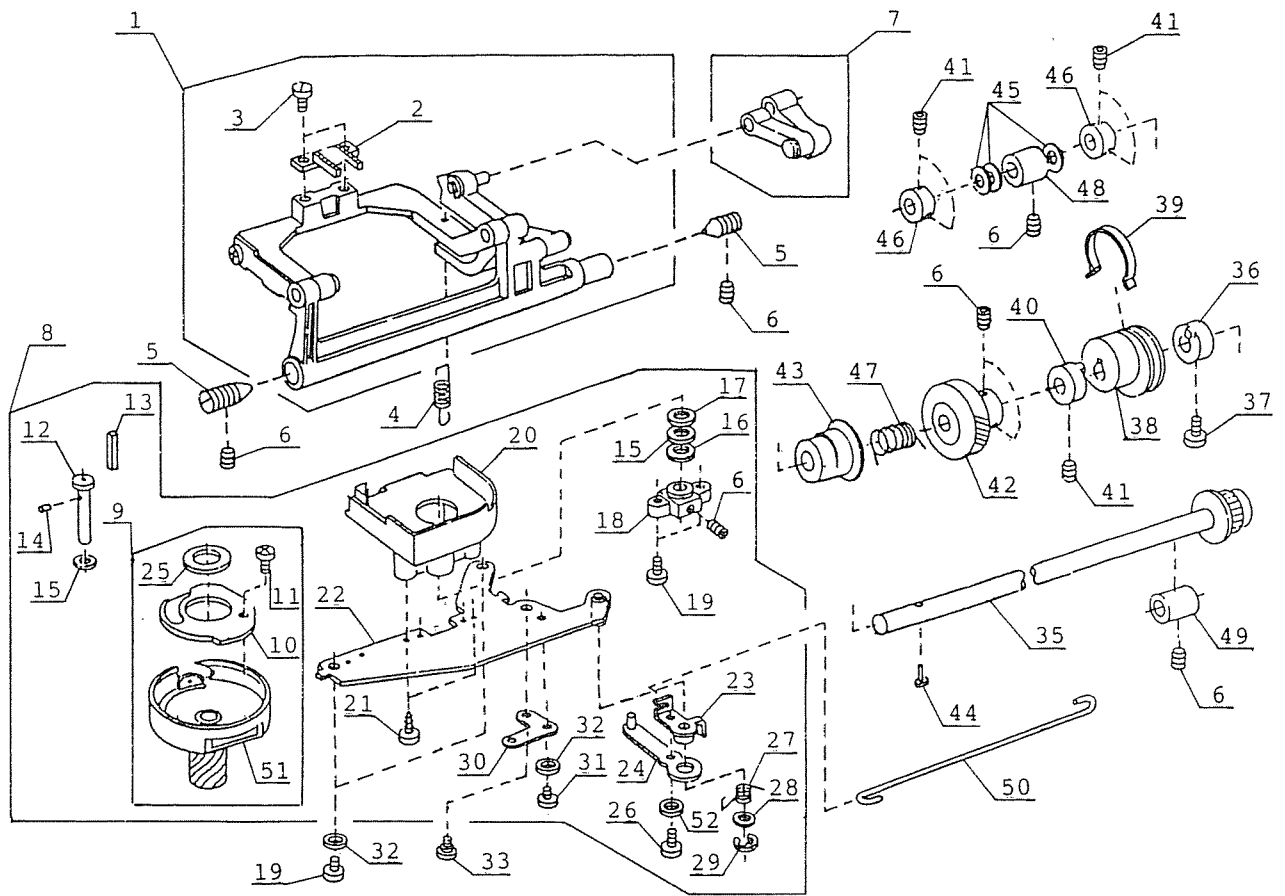
No.	Part No.	Part Name	No.	Part No.	Part Name
1	753606007	Face plate (unit)	24	000149002	Set screw 3 x 10
2	753017005	Face plate	25	753502002	Top cover thread guide (unit)
3	650025004	Face plate spring	26	693093006	Set screw
4	000076502	Set screw 3 x 8	27	000062701	Hexagon nut 3.5-3
5	822532008	Thread cutter (unit)	28	687022005	Bobbin winder stopper
6	366501102	Face plate hinge (unit)	29	000066727	Set screw 3 x 8
7	724024005	Reflecting plate (1)	30	630005006	Nut
8	724025006	Reflecting plate (2)	31	999170507	Set screw 4 x 12
9	000081119	Set screw 4 x 6	32	000080901	Set screw 4 x 25
10	753604108	Top cover complete (unit)	33	822020307	Spool holder (large)
11	753605109	Top cover (unit)	34	686016209	Foot container
12	753012000	Top cover	35	000120214	Tapping screw 3 x 8 (B)
13	750002008	Flip-top sewing instruction panel			
14	753014002	Hinge rod (right)			
15	753129001	Hinge rod (left)			
16	000120203	Tapping screw 3 x 8 (B)			
17	753015003	Top cover body			
18	822016403	Spool pin			
19	822017002	Pin			
20	822018003	Spool pin spring			
21	000107318	Tapping screw 3 x 8 (B)			
22	730501000	Thread guide plate (unit)			
23	822021009	Thread guide holder			



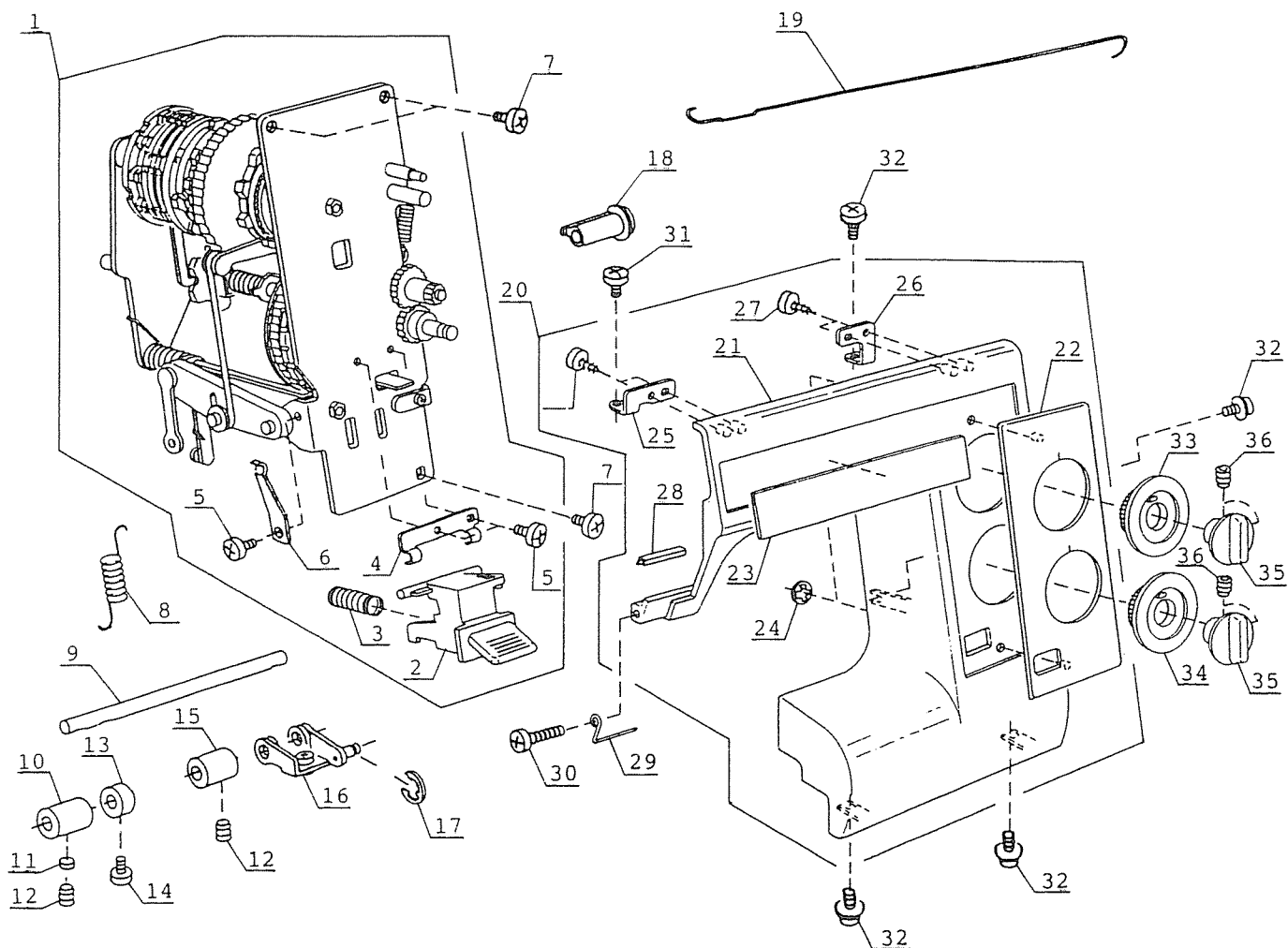
No.	Part No.	Part Name	No.	Part No.	Part Name
1	822065005	Pressure dial	24	822658xxx	Needle bar (unit)
2	686102007	Pressure adjusting cam holder	25	650100004	Needle bar connecting stud
3	686027007	Pressure adjusting cam (1)	26	102408089	Needle HA1-14
4	686028008	Pressure adjusting cam (2)	27	686612005	Needle bar crank rod (unit)
5	815023009	Presser bar spring	28	625226009	Needle bar crank rod
6	102801008	Presser bar	29	650040005	Felt
7	685503009	Presser foot (unit)	30	650041006	Felt holder spring
8	804509000	Foot holder (unit)	31	650033005	Needle bar supporter shaft
9	685502008	Zigzag foot (unit)	32	650034006	Needle bar supporter shaft holder plate
10	102012004	Thumb screw	33	000101404	Set screw 4 x 6
11	686074009	Presser bar bracket	34	650036008	Needle bar supporter shaft spring
12	000115500	Hexagon socket screw 4 x 8	35	650035007	Zigzag connecting arm
13	102222009	Darner spring	36	000111108	Hexagon socket screw 4 x 6
14	652145007	Presser foot lifter	37	650037009	Needle bar supporter spring
15	822072005	Presser foot lifter pin	38	686084002	Needle bar supporter stopper
16	000103509	Set screw 4 x 10	39	000081005	Set screw 4 x 8
17	000070506	Plain washer 4	40	822063003	Felt (2)
18	652146008	Thread tension releasing lever	41	652044005	Felt
19	652042003	Thread tension releasing lever pin			
20	000001609	Snap ring E-5			
21	686611004	Needle bar supporter (unit)			
22	650038000	Needle bar supporter			
23	000111201	Hexagon socket screw 4 x 4			



No.	Part No.	Part Name	No.	Part No.	Part Name
1	753019007	Lamp socket holder plate	24	686623009	Upper shaft (unit)
2	000081005	Set screw 4 x 8	25	102073003	Set screw
3	000104809	Set screw 4 x 35	26	102063000	Set screw
4	685042005	Supporter stopper	27	000111304	Hexagon socket screw 5 x 5
5	000160102	Adjustable nut 4	28	650060001	Worm gear
6	686059008	Carrying handle supporter	29	000101301	Set screw 5 x 10
7	000101404	Set screw 4 x 6	30	673062004	Upper shaft rear bushing
8	753503003	Thread tension dial (unit)	31	650063004	Upper shaft timing gear
9	650043008	Check spring cushion	32	650071005	Timing belt
10	652038006	Check spring	33	000030205	Snap ring E-8
11	652039007	Washer	34	000036706	Thrust washer 10-0.5
12	652037005	Thread guide	35	650609503	Balance wheel (unit)
13	000104304	Set screw 3 x 14	36	650064500	Balance wheel
14	000060857	Hexagon nut 3-1	37	650065006	Clutch pin
15	000101703	Set screw 4 x 12	38	650066007	Clutch pin spring
16	652137006	Arm thread guide (2)	39	650067503	Clutch knob
17	627568002	Needle bar crank pin (unit)	40	650068009	Clutch spring
18	627183009	Needle bar crank pin	41	000107307	Tapping screw 3 x 8 (B)
19	532041007	Needle bar crank pin cap	42	000036201	Thrust washer 8-0.5
20	820041007	Thread take-up lever (unit)	43	650174009	Washer
21	650062003	Thread take-up lever shaft	44	810346006	Cam shaft screw
22	000001702	Snap ring E-6	45	650070509	Clutch cap
23	000111201	Hexagon socket screw 4 x 4			

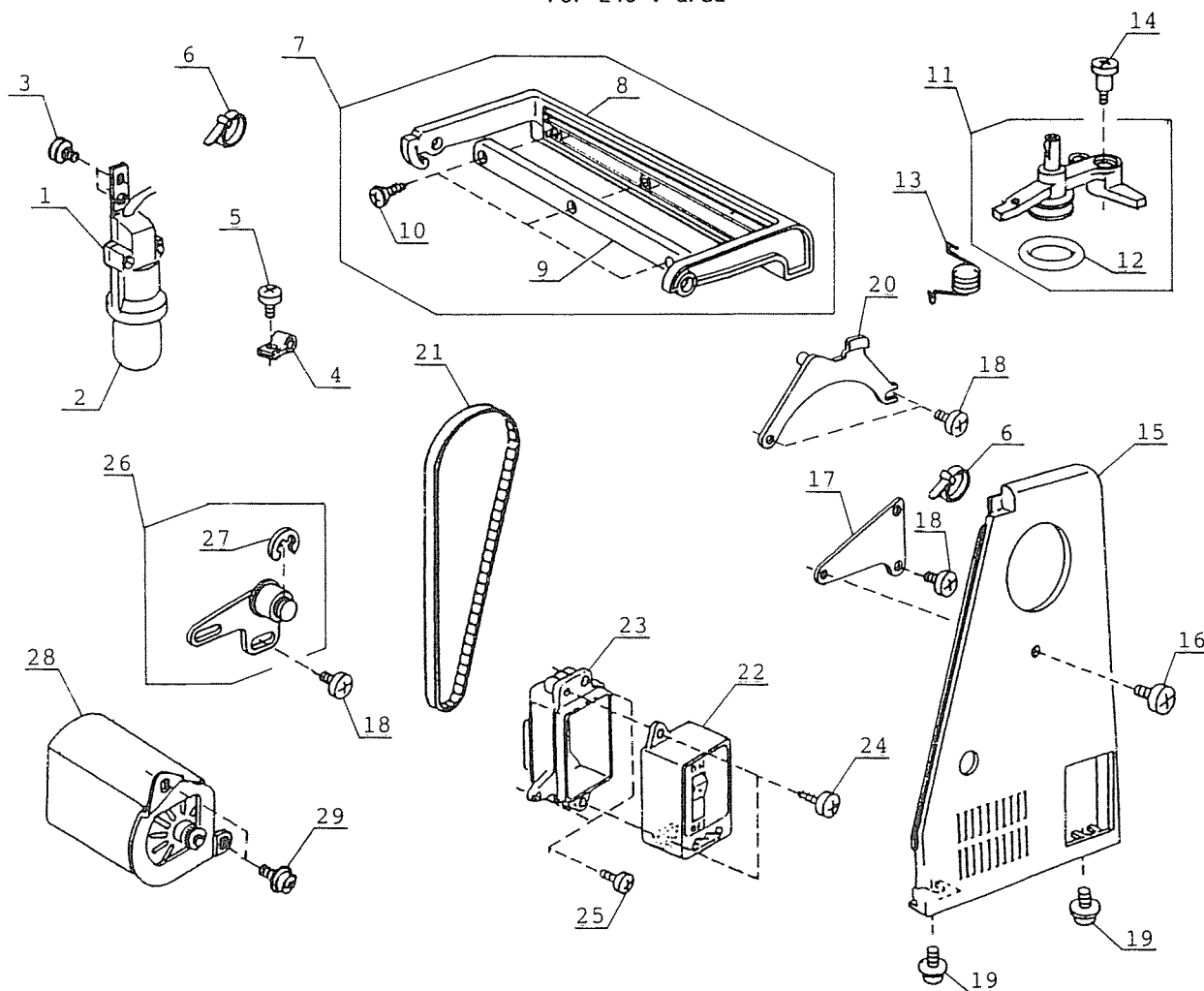


No.	Part No.	Part Name	No.	Part No.	Part Name
1	652606207	Feed rock shaft (unit)	28	650023002	Plain washer
2	685085000	Feed dog	29	000002105	Snap ring E-3
3	61402500	Set screw	30	650171006	Positioning plate
4	650085002	Feed bar spring	31	000101404	Set screw 4 x 6
5	532030003	Screw center	32	000070506	Plain washer 4
6	000111304	Hexagon socket screw 5 x 5	33	650172007	Hinge screw
7	650612004	Feed regulator (unit)	35	686613006	Lower shaft (unit)
8	650614006	Hook (unit)	36	650074008	Forward feed cam ring
9	652623004	Rotary hook (unit)	37	000121607	Tapping screw 3 x 12 (S)
10	627191000	Rotary hook bottom plate	38	625120105	Feed cam
11	820374004	Set screw 2 x 2.3	39	627207000	Feed cam spring
12	820123006	Hook drive shaft	40	625118007	Feed cam ring
13	820124007	Hook drive shaft oil felt (1)	41	000111201	Hexagon socket screw 4 x 4
14	820125008	Hook drive shaft oil felt (2)	42	650076000	Lower shaft gear
15	000036500	Thrust washer 6-0.5	43	686036102	Feed lifting cam
16	625102008	Plain washer	44	820161006	Feed lifting pin
17	627192001	Hook drive shaft washer	45	000036201	Thrust washer 8-0.5
18	650094004	Hook drive shaft holder	46	820166001	Ring
19	000081005	Set screw 4 x 8	47	686035008	Feed lifting cam spring
20	650095005	Hook cover	48	650078002	Lower shaft bushing (front)
21	000107204	Tapping screw 3 x 12 (B)	49	650079003	Lower shaft bushing (rear)
22	650096006	Hook holder plate	50	650101005	Feed shift rod
23	650097007	Feed shift arm	51	652515002	Rotary hook body (unit)
24	650098008	Feed shift plate	52	656159006	Plain washer 3.3
25	627190009	Rotary hook magnet			
26	000103808	Set screw 3 x 5			
27	650099009	Feed shift spring			



No.	Part No.	Part Name	No.	Part No.	Part Name
1	750601003	Control mechanism block (unit)	22	750026503	Scale plate
2	750013002	R button	23	750027009	Pattern indication plate
3	652077007	R button spring	24	000013903	Snap ring CS-5
4	652124000	R button hinge	25	753108004	Front panel fixing plate (front)
5	652203004	Set screw 3 x 3.5	26	753109005	Front panel fixing plate (rear)
6	652075005	Pattern selector index spring	27	000120203	Tapping screw 3 x 8 (B)
7	000081005	Set screw 4 x 8	28	753125007	Thread protecting plate
8	753033007	Feed regulator spring	29	753126008	Arm thread guide
9	650091001	Feed regulator shaft	30	000093608	Set screw 3.5 x 30
10	625144002	Feed regulator shaft bushing (front)	31	000101105	Set screw 3 x 4
11	650175000	Screw stopper plate	32	000115607	TP screw 4 x 8
12	000111108	Hexagon socket screw 4 x 6	33	750022004	Stitch length dial
13	820387000	Ring	34	750023005	Pattern selector dial
14	000069605	Set screw 4 x 8	35	750501002	Knob (unit)
15	650092002	Feed regulator shaft bushing (rear)	36	000111201	Hexagon socket screw 4 x 4
16	652607002	Feed regulator arm (unit)			
17	000002105	Snapring E-3			
18	650162406	SS feed balance regulator knob			
19	685069008	Zigzag width rod			
20	750602004	Front panel (unit)			
20	750602200	Front panel (unit) for U.K.			
21	750025100	Front panel			
21	750025203	Front panel for U.K.			

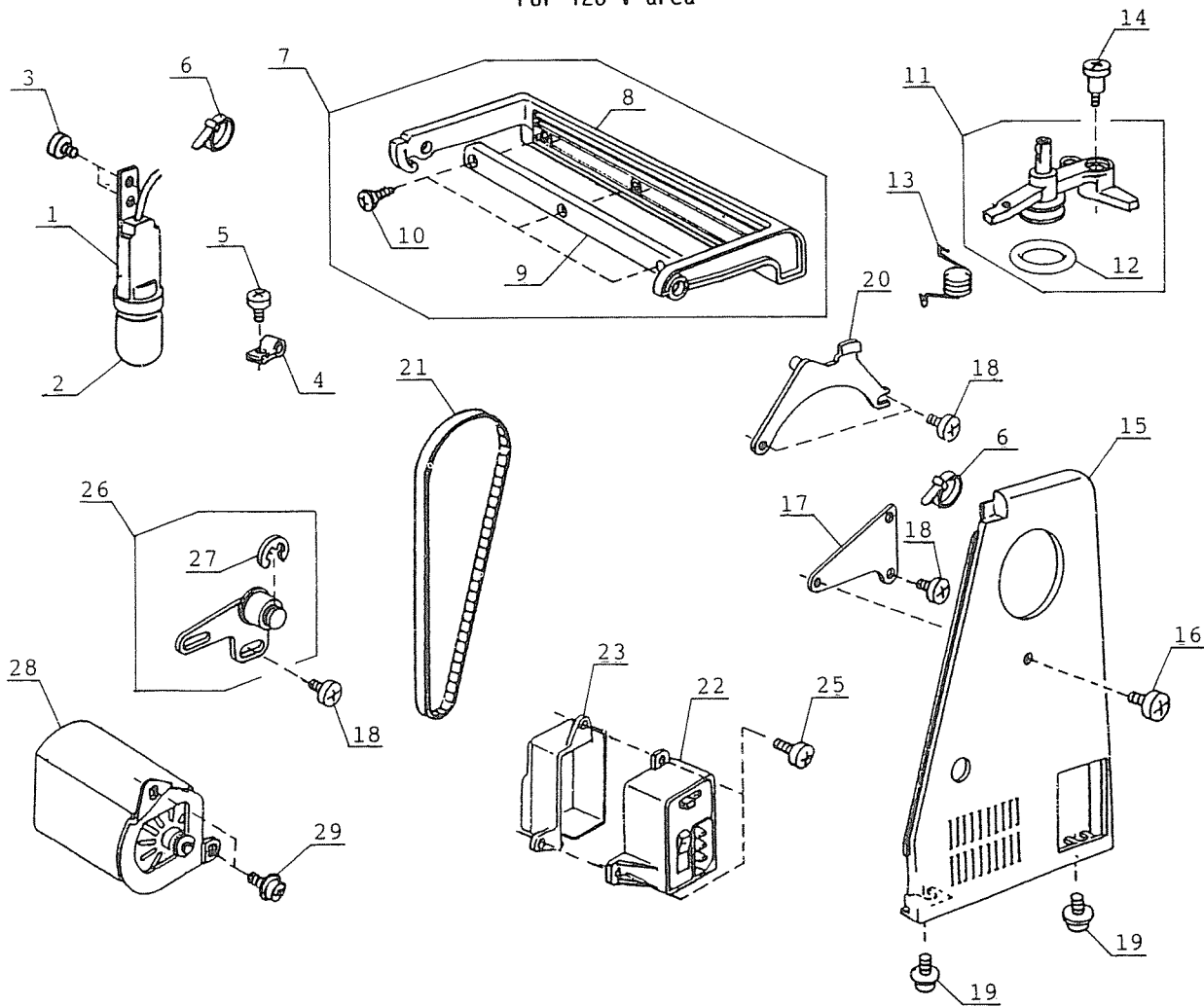
For 240 V area



No.	Part No.	Part Name	No.	Part No.	Part Name
1	686508007	Lamp socket (unit)	24	000075604	Set screw 4 x 12
2	000009009	Light bulb 240 V 15 W BA15D	25	000101703	Set screw 4 x 12
3	000103808	Set screw 3 x 5	26	753619003	Idler (unit)
4	000126106	Nylon clip SL-4N	27	000002806	Snap ring E-6
5	000101404	Set screw 4 x 6	28	023393211	Motor (unit)
6	000053008	Binder SKB-1M	28	023393118	Motor (unit) for U.K.
7	753620007	Carrying handle (unit)	29	000115504	TP screw
8	753121003	Carrying handle			
9	753122004	Carrying handle plate			
10	000120502	Tapping screw 3 x 8 (B)			
11	653508005	Bobbin winder (unit)			
12	365076007	Rubber ring			
13	823119008	Bobbin winder frame spring			
14	686063005	Hinge screw			
15	753115107	Belt cover			
16	000101806	Set screw 4 x 16			
17	753116005	Belt cover fixing plate			
18	000081005	Set screw 4 x 8			
19	000115607	TP screw 4 x 8			
20	753120002	Carrying handle supporter plate			
21	650166008	Timing belt			
22	786502107	Machine socket (unit)			
23	687008005	Machine socket cover			



For 120 V area



No.	Part No.	Part Name	No.	Part No.	Part Name
1	686504003	Lamp socket (unit)	25	000101703	Set screw 4 x 12
2	000008606	Light bulb 120 V 15 W E-12	26	753619003	Idler (unit)
3	000103808	Set screw 3 x 5	27	000002806	Snap ring E-6
4	000126106	Nylon clip SL-4N	28	012893212	Motor (unit)
5	000101404	Set screw 4 x 6	28	023393118	Motor (unit) for U.K.
6	000053008	Binder SKB-1M	29	000115504	TP screw
7	753620007	Carrying handle (unit)			
8	753121003	Carrying handle			
9	753122004	Carrying handle plate			
10	000120502	Tapping screw 3 x 8 (B)			
11	653508005	Bobbin winder (unit)			
12	365076007	Rubber ring			
13	823119008	Bobbin winder frame spring			
14	686063005	Hinge screw			
15	753115107	Belt cover			
16	000101806	Set screw 4 x 16			
17	753116005	Belt cover fixing plate			
18	000081005	Set screw 4 x 8			
19	000115607	TP screw 4 x 8			
20	753120002	Carrying handle supporter plate			
21	650166008	Timing belt			
22	686505200	Machine socket (unit)			
23	686072007	Machine socket cover			