

JUKI®

2-NEEDLE, 5-THREAD CHAIN STITCH AND 3-THREAD OVERLOCK SEWING MACHINE
2-NADEL, 5-FADENKETTENSTICH-UND 3-FADEN-OVERLOCKNÄHMASCHINE
MACHINE A POINT DE CHAINETTE 2 AIGUILLES 5 FLS, POINT REDOUBLE 2 AIGUILLES 3 FILS

MO-655

Parts list

Teilekatalog

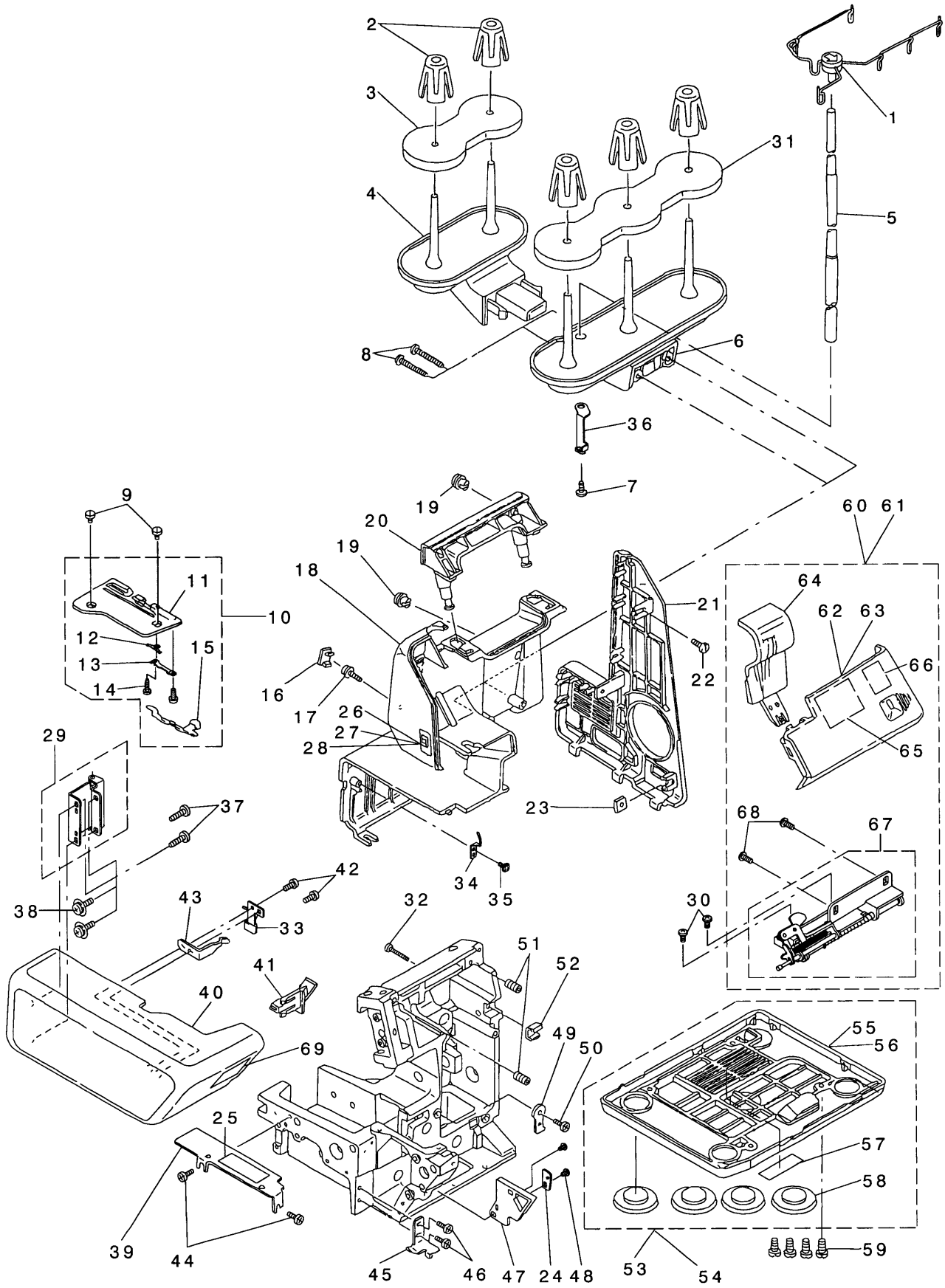
Catalogue de pièces détachées

A9152655000

CONTENTS

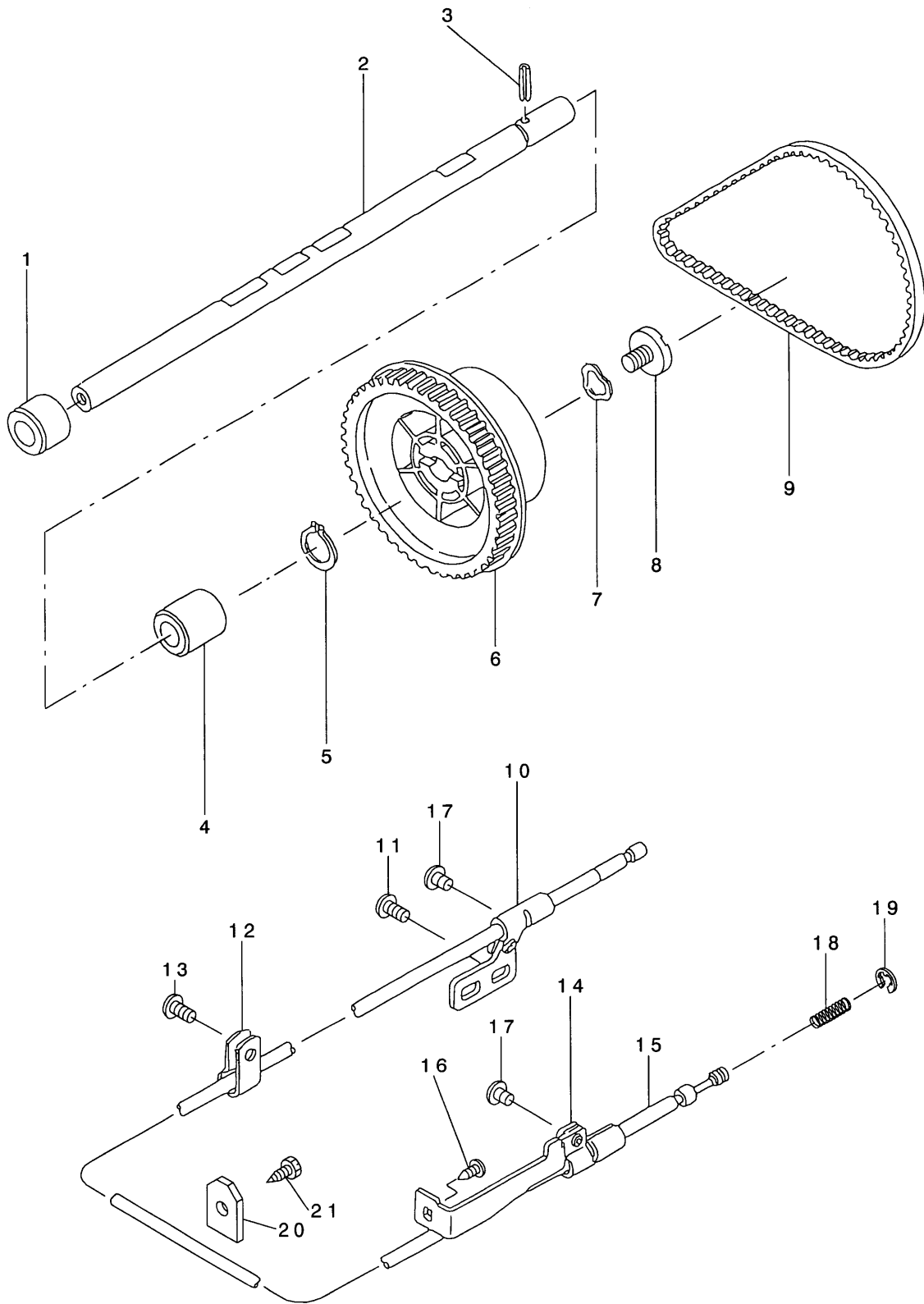
1. FRAME COMPONENTS	1
2. MAIN SHAFT & SAFETY SWITCH COMPONENTS	3
3. NEEDLE BAR & PRESSER FOOT COMPONENTS	5
4. FEED MECHANISM COMPONENTS	7
5. CHAIN LOOPER COMPONENTS	9
6. LOOPER DRIVE COMPONENTS	11
7. KNIFE COMPONENTS	13
8. THREAD TENSION COMPONENTS	15
9. LAMP & MOTOR CONTROLLER COMPONENTS	17
10. ACCESSORIES PARTS COMPONENTS	19

1. FRAME COMPONENTS



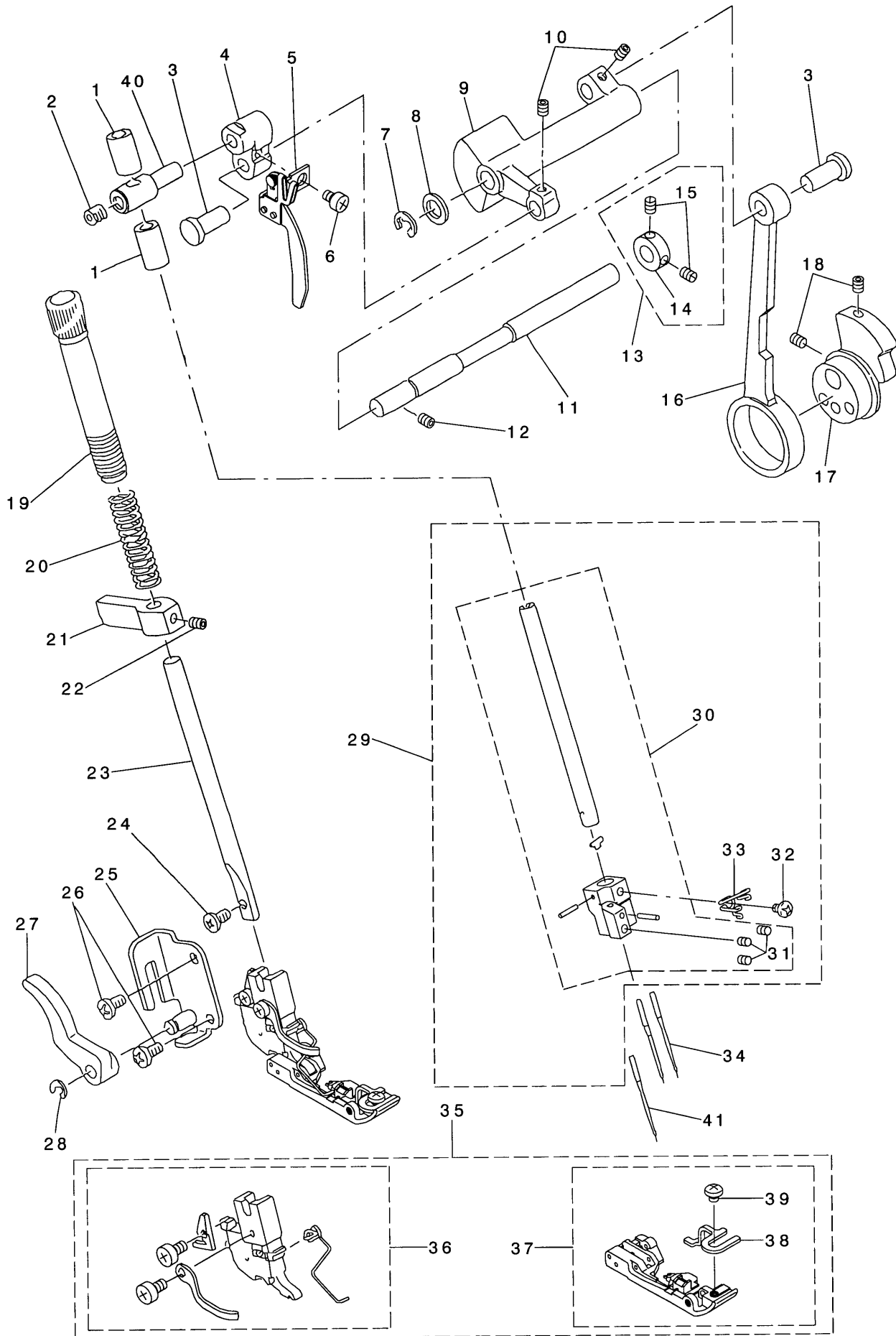
REF.NO	NOTE	PART NO.	DESCRIPTION	Qty
1		A1120-655-OAO	THREAD GUIDE ASM.	1
2		A1120-202-000	SPOOL RETAINER	5
3		A1121-202-000	FOAM PAD(B)	1
4		A1119-644-000-A	SPOOL HOLDER(B)	1
5		A1120-334-000	SUPPORTING ROD	1
6		A1118-623-000-A	SPOOL HOLDER(A)	1
7		SM-5051255-SN	SCREW	1
8		SM-5043755-SC	SCREW	2
9		A1138-335-000	SCREW	2
10		A1115-655-OBO-B	THROAT PLATE MAS. ASM.	1
11		A1115-655-OAO	THROAT PLATE ASM.	(1)
12		A1131-655-000-A	LATCH PRESSER SPRING	(1)
13		A1132-655-000	THREAD SLIP GUIDE	(1)
14		SM-4020351-SC	SCREW	(2)
15		A1136-314-DAA-A	THROAT PLATE THREAD SLIP ASM.	(1)
16		A1146-644-000	COVER CAP(B)	1
17		SL-5031031-SN	SCREW	1
18		A1106-655-000	REAR COVER W.REFLECTING SEAL	1
19		A1124-644-000	COVER CAP(A)	2
20		A1145-644-000	HANDLE	1
21		A1103-65D-000-A	SIDE COVER	1
22		SL-4040831-SF	SCREW	1
23		A3151-535-000	FRONT COVER NUT	1
24		A2538-554-000	THREAD GUIDE LEVER PLATE	1
25		A1191-655-000	CHAIN THREAD GUIDE SEAL	1
26		A3123-644-A00	LABEL (UL/CSA)	1
27		A3123-644-B00	LABEL (VDE/SAA)	1
28		A3123-644-C00	LABEL (SAUDI)	1
29		A1161-535-OAO	CLOTH PLATE HINGE ASM.	1
30		SM-5040855-SN	SCREW	2
31		A1121-203-000	FORM PAD(A)	1
32		SM-5032555-SE	SCREW	1
33		A2154-655-000-A	RELEASE PLATE	1
34		A1147-535-000	REAR COVER THREAD GUIDE	1
35		ST-5030851-SN	SCREW	1
36		A1121-315-OAO-A	THREAD GUIDE ASM.	1
37		ST-5041051-SN	TAPING SCREW	2
38		SL-5040865-SN	SCREW	2
39		A1135-535-000	UPPER COVER	1
40		A1104-644-000-A	CLOTH PLATE	1
41		A1104-644-A00-A	CLOTH PLATE COVER	1
42		ST-5041251-SN	TAPING SCREW	2
43		A1160-634-000	CLOTH PLATE OPENING SPRING	1
44		SM-5040855-SN	SCREW	2
45		A1164-535-000	CLOTH PLATE PRESSER PLATE	1
46		SM-5040855-SN	SCREW	2
47		A1156-654-000-A	LOOPER COVER GUIDE	1
48		SM-4040855-SN	SCREW	2
49		A3161-634-000	FRONT COVER INSTALLATION PLATE	1
50		SM-4040655-SN	SCREW	1
51		SM-8050842-TP	SCREW	2
52		A3150-535-000	FRONT COVER ASM. PLATE	1
53		A1102-644-OAO	BASE PLATE ASM.	1
54		A1102-644-AAO	BASE PLATE ASM. (SAUDI)	1
55		A1102-644-000	BASE PLATE	(1)
56		A1102-644-A00	BASE PLATE (DOUBLE VOLTAGE)	(1)
57		A6051-634-000	SEAL (SAUDI)	(1)
58		A1123-535-000	SUCTION FEET	(4)
59		SM-5051255-SN	SCREW	4
60		A1151-655-OBO-B	LOOPER COVER (MAS. ASM.) (UL/CSA)	1
61		A1151-655-BBO-B	LOOPER COVER (MAS. ASM.) (VDE/SAA)	1
62		A1151-655-A00-A	LOOPER COVER (UL/CSA)	(1)
63		A1151-655-B00-A	LOOPER COVER (VDE/SAA/SAUDI)	(1)
64		A1152-655-000-A	CHIP GUARD COVER	(1)
65		A1190-655-000	THREAD GUIDE SEAL	(1)
66		A1194-655-000	SEAL	(1)
67		A1153-655-OAO-A	LOOPER COVER HINGE ASM.	(1)
68		ST-5041051-SN	TAPING SCREW	(2)
69		A1171-634-000	SAFETY SWITCH SEAL	1

2. MAIN SHAFT & SAFETY SWITCH COMPONENTS



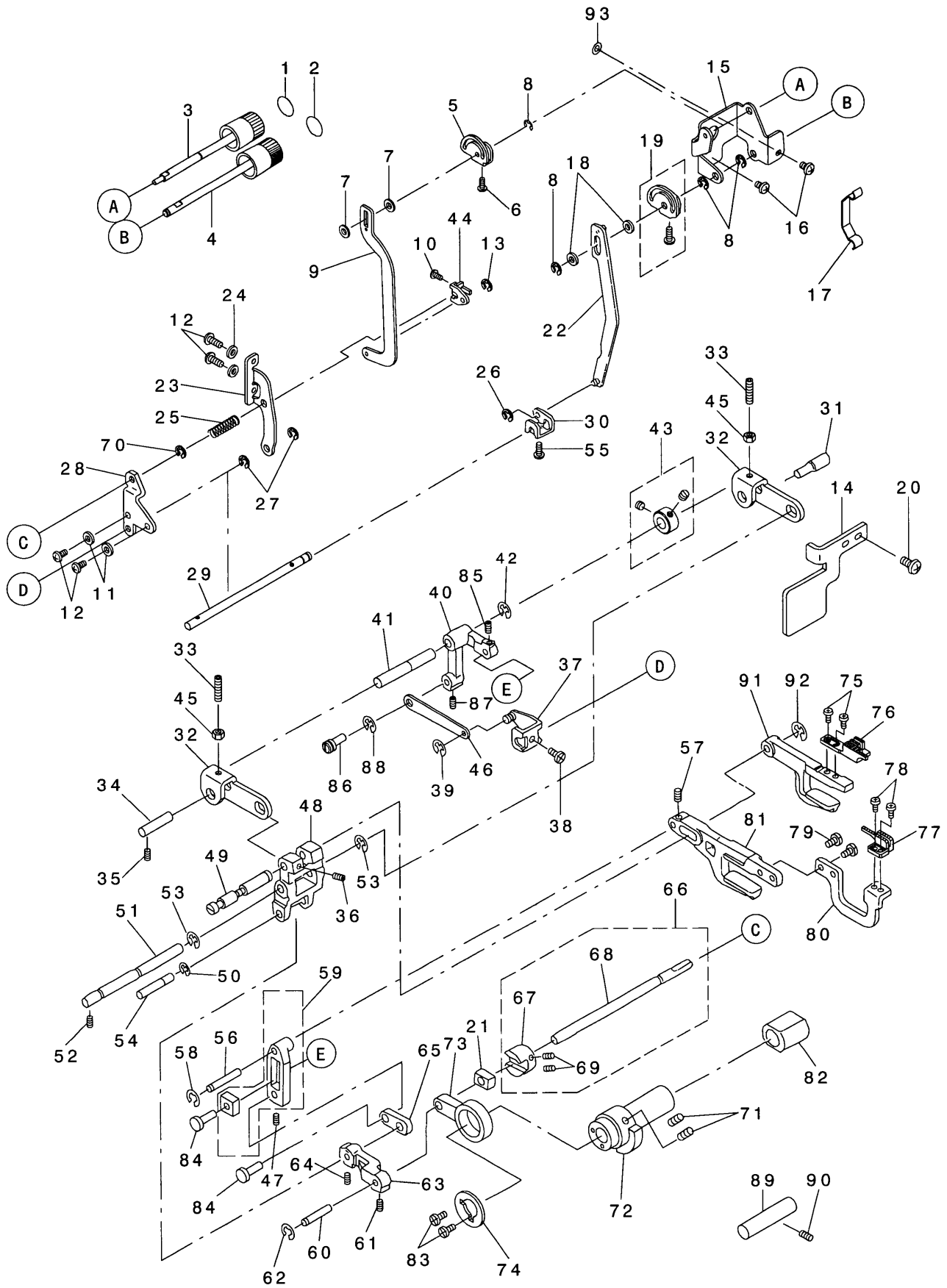
REF.NO	NOTE	PART NO.	D E S C R I P T I O N	Qty
1		A1206-335-000	MAIN SHAFT BUSHING, FRONT	1
2		A1201-655-000	MAIN SHAFT	1
3		PS-0400222-KH	PIN	1
4		A1206-202-000	MAIN SHAFT BUSHING, REAR	1
5		A1206-102-000	C RING	1
6		A1202-644-000	HANDWHEEL	1
7		A1206-535-000	HANDWHEEL WASHER	1
8		A1230-500-000-A	HANDWHEEL SETSCREW	1
9		A1205-634-000	TIMING BELT	1
10		A6021-535-000	WIRE HOLDER (2)	1
11		SM-5040855-SN	SCREW	1
12		HX-0015000-0B	CABLE CLIP	1
13		SM-4040655-SN	SCREW	1
14		A6020-535-000	WIRE HOLDER (1)	1
15		A6026-335-EA0	WIRE ASM.	1
16		ST-5030851-SN	SCREW	1
17		SM-4030455-SN	SCREW	2
18		A6033-535-000	SPRING	1
19		RE-0200000-K0	E-RING	1
20		A6036-535-000	WIRE HOLDER PRESSER PL.	1
21		ST-5030851-SN	SCREW	1

3. NEEDLE BAR & PRESSER FOOT COMPONENTS



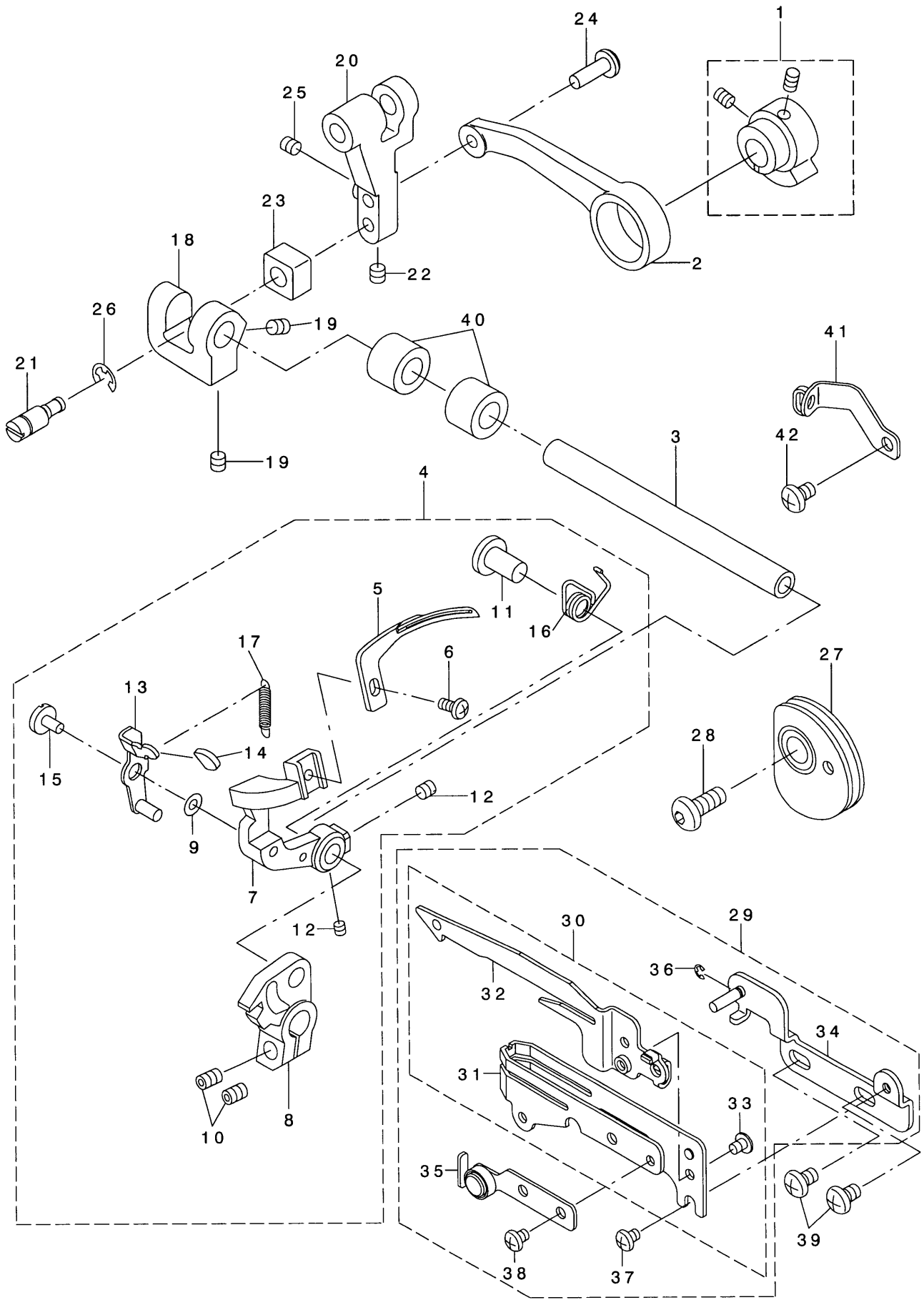
REF.NO	NOTE	PART NO.	DESCRIPTION	Qty
1		A1407-102-000	NEEDLE BAR BUSHING	2
2		SM-8060602-TP	SCREW	1
3		A1403-102-000	CONNECTING PIN	2
4		A1412-535-000	NEEDLE BAR LINK	1
5		A1412-655-OAO	NEEDLE THREAD TAKE-UP	1
6		SM-4040655-SN	SCREW	1
7		RE-0600000-KO	E-RING	1
8		WP-0820516-SP	WASHER	1
9		A1402-535-000	NEEDLE BAR CRANK	1
10		SM-8040402-TP	SCREW	2
11		A1404-535-000	NEEDLE BAR DRIVING SHAFT	1
12		SM-8040402-TP	SCREW	1
13		A1414-502-OAO	THRUST COLLAR ASM.	1
14		A1414-502-000	SCREW	(1)
15		SM-8040402-SP	SCREW	(2)
16		A1403-335-000-A	NEEDLE BAR CRANK ROD	1
17		A1401-535-000-A	NEEDLE BAR DRIVING CAM	1
18		SM-8050602-TP	SCREW	2
19		A1503-634-000	PRESSER FOOT ADJ.SCREW	1
20		A1501-535-000	PRESSER SPRING	1
21		A1502-535-000	PRESSER BAR GUIDE BRACKET	1
22		SM-8050402-TP	SCREW	1
23		A1507-535-000	PRESSER BAR	1
24		SM-5040855-SN	SCREW	1
25		A1504-535-OAO	LIFTING LEVER SET PLATE ASM.	1
26		SM-5040855-SN	SCREW	2
27		A1506-9DC-000	LIFTING LEVER	1
28		RE-0500000-KO	E-RING	1
29		A1406-655-OB0	NEEDLE BAR ASM.	1
30		A1406-655-OAO	NEEDLE BAR ASM.	(1)
31		A1416-777-000	NEEDLE SCREW	(3)
32		SM-5030455-SN	SCREW	(1)
33		A1409-534-000	NEEDLE BAR THREAD GUIDE	(1)
34		MHA-100B1100	NEEDLE HAX1 #11	2
35		A1501-655-OC0-A	PRESSER FOOT MAS. ASM.	1
36		A1514-535-OC0	PRESSER FOOT SHANK ASM.	(1)
37		A1501-655-OB0-A	PRESSER FOOT	(1)
38		A1550-655-000	TAPE GUIDE PLATE	(1)
39		SM-4030301-SC	SCREW M3 X 3	(1)
40		A1411-335-000	NEEDLE BAR GUIDE BRACKET	1
41		MHA-100B1400	NEEDLE HAX1 #14	1

4. FEED MECHANISM COMPONENTS



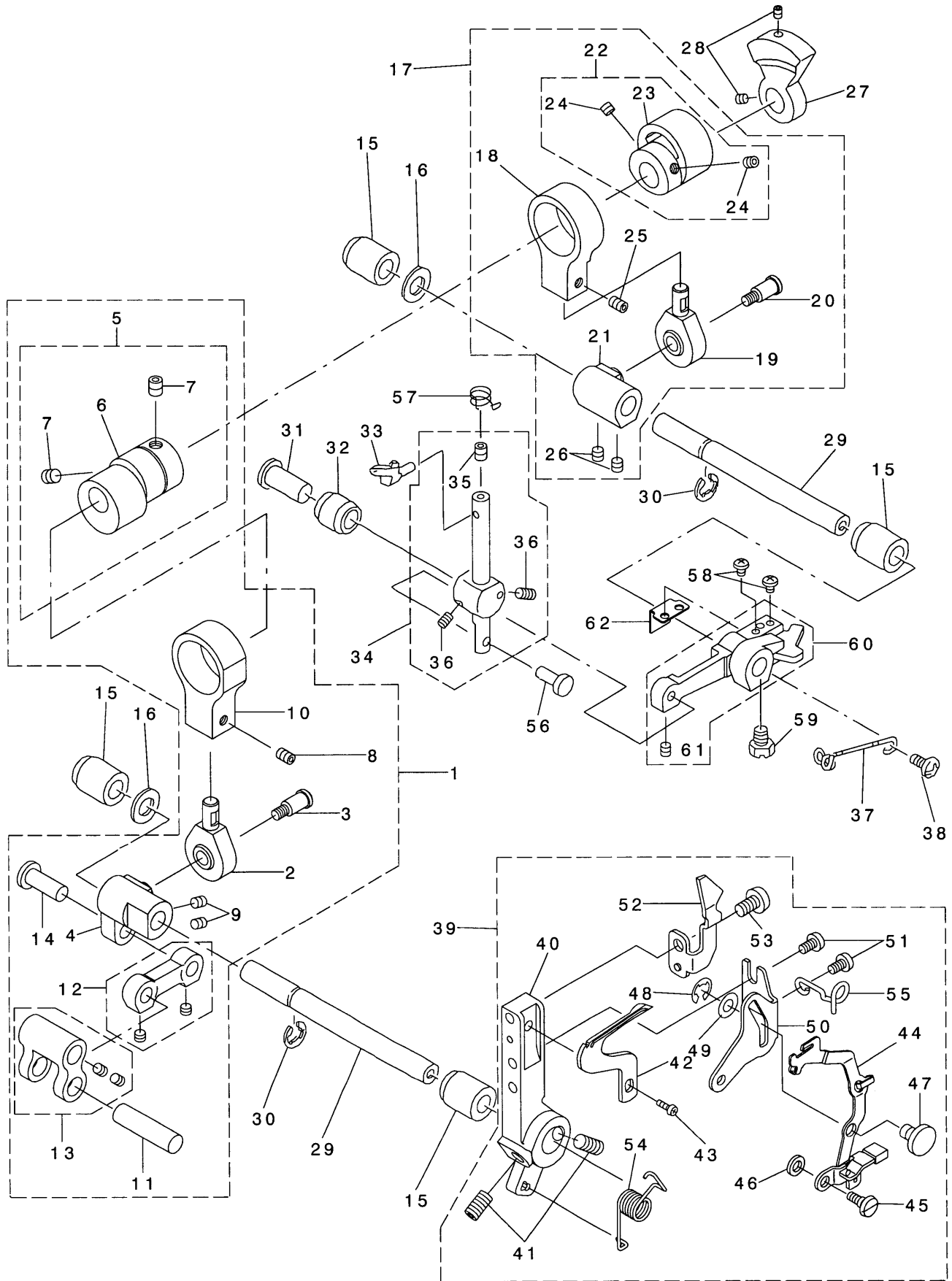
REF. NO	NOTE	PART NO.	D E S C R I P T I O N	Qty
1		A1603-65D-E00	LABEL (MAIN FEED)	1
2		A1604-65D-E00	LABEL (DIF. FEED)	1
3		A1601-655-000-A	MAIN FEED ADJUSTING KNOB	1
4		A1602-65D-E00-A	DIF. FEED ADJUSTING KNOB	1
5		A1613-655-000	MAIN FEED ADJUSTING CAM	1
6		SM-5030855-SN	SCREW	1
7		A1614-655-000	COLLAR	2
8		RE-0400000-KO	E-RING	4
9		A1619-655-0A0	MAIN FEED ADJUSTING LINK ASM.	1
10		SM-5030655-SN	SCREW	1
11		A1636-534-D00	WASHER	2
12		SM-5041055-SN	SCREW	4
13		RE-0300000-KO	E-RING	1
14		A1613-535-000	FEED BASE GUIDE	1
15		A1610-655-000	KNOB SETTING PLATE	1
16		SM-5040655-SN	SCREW	2
17		A1611-655-000	SHAFT PRESSING PLATE	1
18		A1614-534-D00	COLLAR	2
19		A1615-534-DA0	DIF. FEED ADJUSTING CAM ASM.	1
20		SM-4040655-SN	SCREW	1
21		A1638-776-000	MAIN FEED SLIDE BLOCK	1
22		A1620-534-DA0	DIF. FEED ADJUSTING LINK ASM.	1
23		A1634-655-000-A	ADJUSTING SHAFT PLATE	1
24		WP-0430801-SC	WASHER	2
25		A1633-534-D00	SPRING	1
26		RE-0300000-KO	E-RING	1
27		RE-0500000-KO	E-RING	2
28		A1635-534-D00	FEED ADJUSTING SHAFT HOLDER	1
29		A1662-655-000-A	DIF. FEED ADJUSTING SHAFT	1
30		A1655-534-D00	DIF. FEED ADJUSTING ARM(C)	1
31		A1664-655-000	DIF. FEED SHAFT(A)	1
32		A1660-534-D00-A	DIF. FEED SHAFT HOLDER	2
33		SM-8031202-TP	SCREW	2
34		A1663-534-D00	DIF. FEED SHAFT(B)	1
35		SM-8040402-TP	SCREW	1
36		SM-8040402-TP	SCREW	1
37		A1657-534-DA0	DIF. FEED ADJUSTING ARM(B) ASM.	1
38		SM-5030655-SN	SCREW	1
39		RE-0300000-KO	E-RING	1
40		A1661-534-D00	DIF. FEED ADJUSTING ARM(A)	1
41		A1659-534-D00-A	SHAFT	1
42		RE-0500000-KO	E-RING	1
43		A1663-776-0A0	DIF. FEED ADJUSTING COLLAR ASM.	1
44		A1630-534-D00	MAIN FEED ADJUSTING ARM	1
45		NM-6030001-SE	NUT	2
46		A1653-776-000	DIF. FEED ADJUSTING LINK	1
47		SM-8030402-TP	SCREW	1
48		A1645-534-D00	MAIN FEED ARM	1
49		A1646-534-D00	BASE SUPPORTING SHAFT	1
50		RE-0400000-KO	E-RING	1
51		A1647-534-D00	MAIN FEED SHAFT	1
52		SM-8040402-TP	SCREW	1
53		RE-0500000-KO	E-RING	2
54		A1641-534-D00	SHAFT	1
55		SM-5030655-SN	SCREW	1
56		A1665-534-D00	SHAFT	1
57		SM-8030302-TP	SCREW	1
58		RE-0300000-KO	E-RING	1
59		A1651-534-DA0	DIF. FEED ARM ASM.	1
60		A1639-534-D00	MAIN FEED SLIDE BLOCK SHAFT	1
61		SM-8030402-TP	SCREW	1
62		RE-0400000-KO	E-RING	1
63		A1640-534-D00	MAIN FEED LINK	1
64		SM-8030402-TP	SCREW	1
65		A1650-534-D00	DIF. FEED LINK	1
66		A1637-534-DA0	MAIN FEED ADJUSTING ASM.	1
67		A1637-534-D00	MAIN FEED ADJUSTING	(1)
68		A1631-534-D00	MAIN FEED ADJUSTING SHAFT	(1)
69		SM-8030402-TP	SCREW	(2)
70		RE-0500000-KO	E-RING	1
71		SM-8040602-TP	SCREW	2
72		A1617-534-D00-A	VERTICAL/HORIZONTAL FEED CAM	1
73		A1616-534-D00	MAIN FEED ROD	1
74		A1618-534-D00	MAIN FEED THRUST PLATE	1
75		SM-4030655-SP	SCREW	2
76		A1627-655-000	MAIN FEED DOG	1
77		A1642-655-000	DIF. FEED DOG	1
78		SM-4030655-SP	SCREW	2
79		SM-9040700-SP	SCREW	2
80		A1648-655-000	DIF. FEED SETTING BASE	1
81		A1639-535-000	DIF. FEED BASE	1
82		A1630-535-000	VERTICAL FEED ADS.	1
83		A1618-534-DOA	SCREW	2
84		A2529-335-000	PIN	2
85		SM-8030402-TP	SCREW	1
86		A1654-776-000-A	DIF. FEED ADJUSTING PIN	1
87		SM-8030402-TP	SCREW	1
88		RE-0500000-KO	E-RING	1
89		A1612-535-000	FEED BASE GUIDE ROD	1
90		SM-8040402-TP	SCREW	1
91		A1625-535-000	FEED BASE ARM	1
92		RE-0500000-KO	E-RING	1
93		A1614-655-000	WASHER	1

5. CHAIN LOOPER COMPONENTS



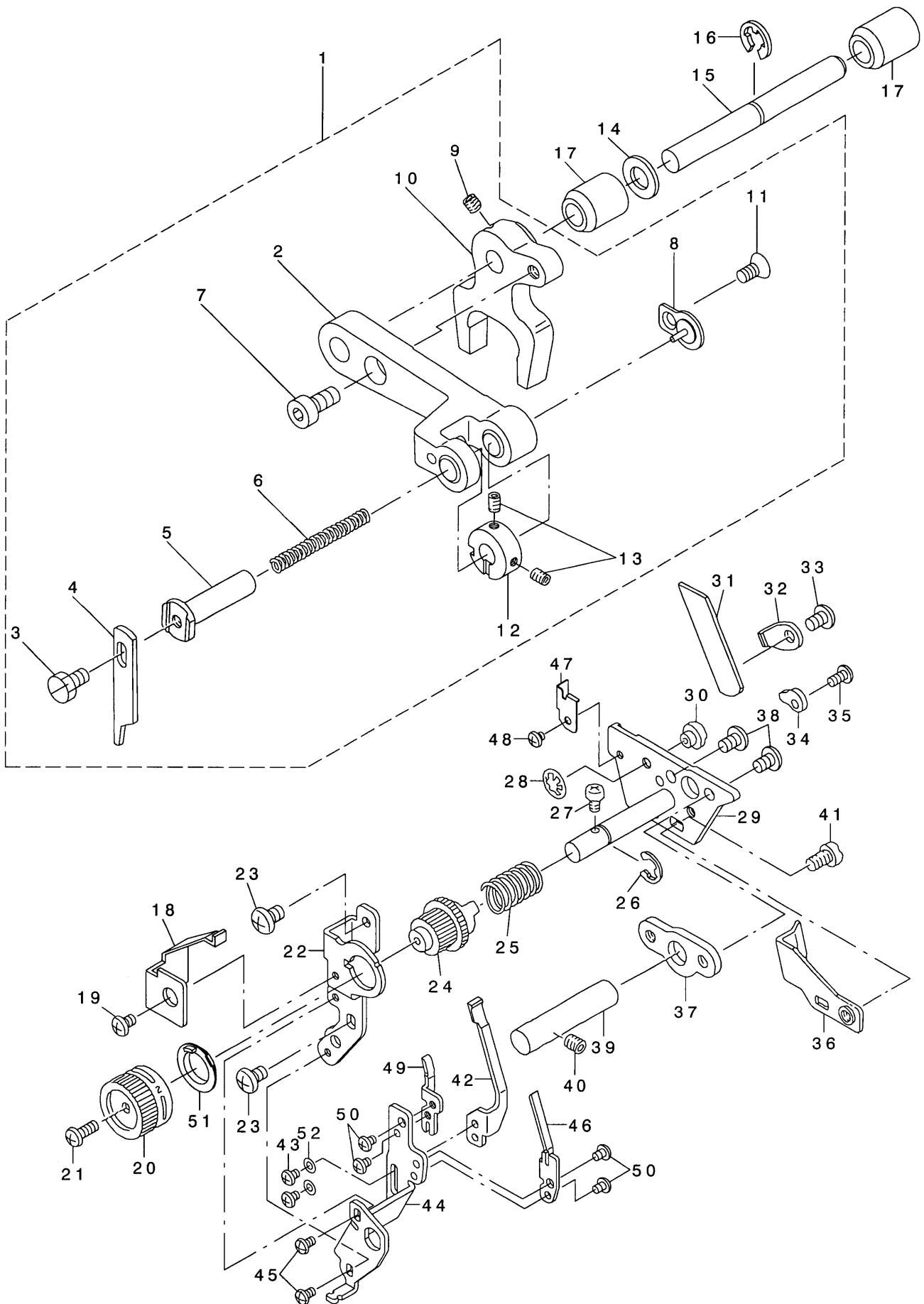
REF.NO	NOTE	PART NO.	D E S C R I P T I O N	Qty
1		A2103-655-0A0	CHAIN LOOPER SLIDE CAM ASM.	1
2		A2105-535-000	CHAIN LOOPER ROD	1
3		A2107-655-000	CHAIN LOOPER SHAFT	1
4		A2109-655-0B0-C	CHAIN LOOPER MAS. ASM.	1
5		A2109-9DC-0A0	CHAIN LOOPER ASM.	(1)
6		SM-5030655-SN	SCREW	(1)
7		A2151-655-000-A	CHAIN LOOPER SUPPORT ARM A	(1)
8		A2152-655-000-A	CHAIN LOOPER SUPPORT ARM B	(1)
9		WP-0320501-SC	WASHER	(1)
10		SM-8040602-TP	SCREW M4X0.7 L=6	(2)
11		A2155-655-000-A	CHAIN LOOPER SUPPORT SHAFT	(1)
12		SM-8030302-TP	SCREW	(2)
13		A2153-655-0A0	CH. LOOPER SUP. ARM LATCH ASM.	(1)
14		A1167-315-00A-A	SUPPORT ARM LATCH KNOB	(1)
15		A2156-655-000	SCREW	(1)
16		A2158-655-000	SPRING	(1)
17		A2159-655-000	SPRING	(1)
18		A2113-535-000	CHIAN LOOPER SLIDE BLOCK GUIDE	1
19		SM-8040402-TP	SCREW	2
20		A2114-535-000	CHAIN LOOPER SUPPORT ARM	1
21		A2115-655-000	CH.LOOPER BLOCK GUIDE SHAFT	1
22		SM-8040402-TP	SCREW	1
23		A2116-535-000	CHAIN LOOPER BLOCK GUIDE	1
24		A2529-335-000	CHAIN LOOPER ROD PIN	1
25		SM-8040402-TP	SCREW	1
26		RE-0400000-K0	E-RING 4	1
27		A2124-655-0A0	CHAIN LOOPER TAKE-UP ASM.	1
28		A2138-335-000	SCREW	1
29		A2130-655-0B0	CH.LO. TAKE-UP GUIDE MAS. ASM.	1
30		A2130-655-0A0	CHAIN LOOPER TAKE-UP GUIDE ASM	(1)
31		A2130-655-000	CHAIN LOOPER TAKE-UP GUIDE 1	(1)
32		A2131-655-0A0	TAKE-UP GUIDE 2 ASM.	(1)
33		SM-0030401-SN	SCREW	(1)
34		A2132-655-0A0	TAKE-UP PLATE ASM.	(1)
35		A2134-655-0A0	TAKE-UP THREAD GUIDE B(ASM.)	(1)
36		RE-0200000-K0	E-RING	(1)
37		SM-4030455-SN	SCREW	(1)
38		SM-4030455-SN	SCREW	(1)
39		SM-4040655-SN	SCREW	2
40		A1675-335-000	CHIAN LOOPER SHAFT METAL	2
41		A2125-535-0A0	THREAD GUIDE A ASM.	1
42		SM-4040655-SN	SCREW	1

6. LOOPER DRIVE COMPONENTS



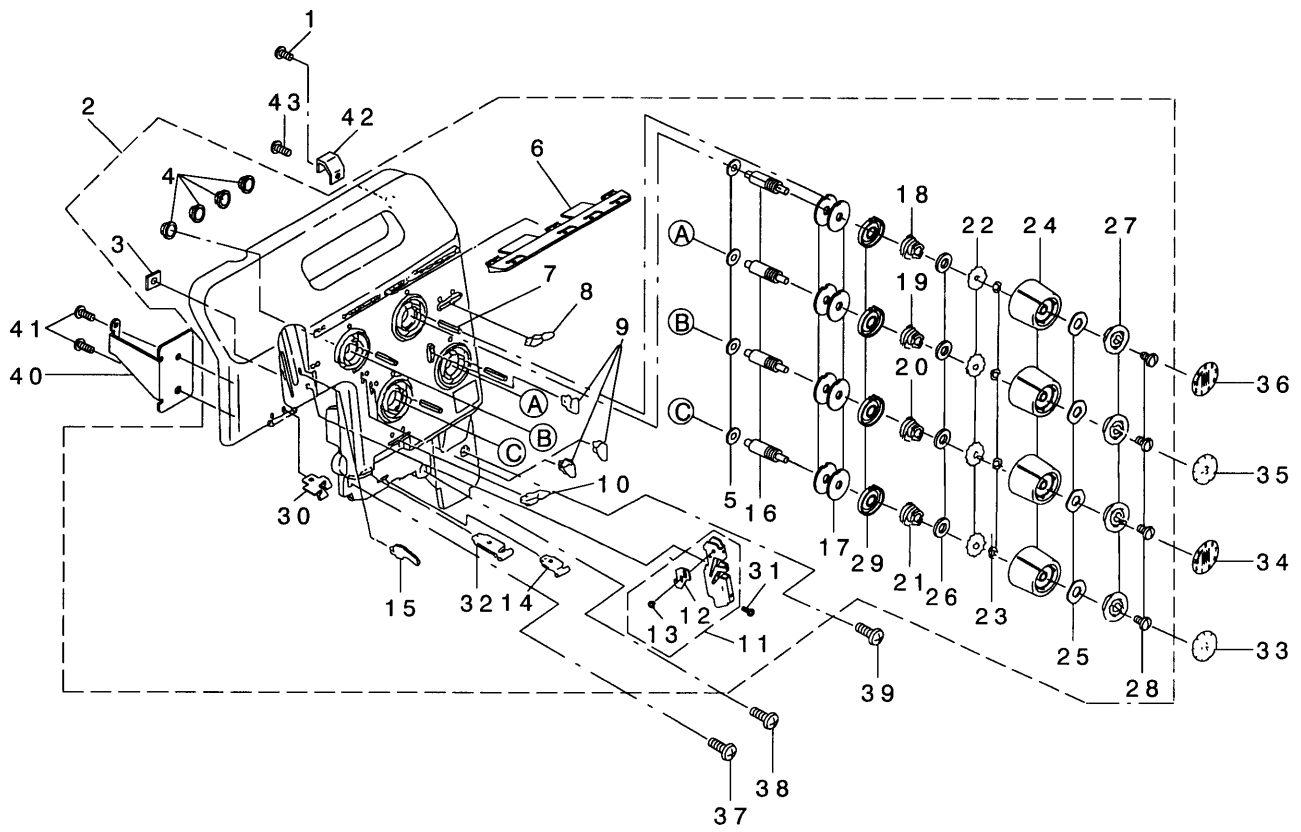
REF.NO	NOTE	PART NO.	DESCRIPTION	Qty
1		A2515-655-0A0-A	LOWER LOOPER ROD ASM.	1
2		A2503-776-000	CONNECTING ROD	(1)
3		A2504-776-000	CONNECTING SCREW	(1)
4		A2516-655-000	LOWER LOOPER DRIVING ARM	(1)
5		A2514-534-0A0-B	LOWER LOOPER CAM ASM.	(1)
6		A2514-534-000-C	LOWER LOOPER CAM	(1)
7		SM-8050602-TP	SCREW	(2)
8		SM-8040602-TP	SCREW	(1)
9		SM-8040402-TP	SCREW	(2)
10		A2515-534-000-A	LOWER LOOPER ROD	(1)
11		A2111-335-000	CHAIN LOOPER SLIDE SHAFT	(1)
12		A2101-535-0A0	CHAIN LOOPER ROD ASM.	(1)
13		A2102-335-0AS	CHAIN LOOPER SLIDE ARM	(1)
14		A1403-102-000	CONNECTING PIN	(1)
15		A2112-204-000	LOOPER SHAFT METAL	4
16		WP-0820516-SP	WASHER	2
17		A2502-534-0A0-A	UPPER LOOPER ROD ASM.	1
18		A2502-534-000-A	UPPER LOOPER ROD	(1)
19		A2503-776-000	CONNECTING ROD	(1)
20		A2504-776-000	CONNECTING SCREW	(1)
21		A2505-776-000	LOWER LOOPER DRIVING ARM	(1)
22		A2501-534-0A0-A	UPPER LOOPER CAM ASM.	(1)
23		A2501-534-000-A	UPPER LOOPER CAM	(1)
24		SM-8040402-TP	SCREW	(2)
25		SM-8040602-TP	SCREW	(1)
26		SM-8040402-TP	SCREW	(2)
27		A2550-534-000-C	LOOPER BALANCER	1
28		SM-8030402-TP	SCREW M3X0.5 L=4	2
29		A2521-534-000	LOOPER SHAFT	2
30		RE-0600000-K0	E-RING	2
31		A2531-534-000	UPPER LOOPER GUIDE SHAFT	1
32		A1657-335-000	BUSHING	1
33		A2512-234-000	UPPER LOOPER	1
34		A2530-335-0AS	UPPER LOOPER SLIDE STUD ASM.	1
35		SM-8050602-TP	SCREW	(1)
36		SM-8040402-TP	SCREW	(2)
37		A2519-634-0A0	UPPER LOOPER THR. TAKE-UP ASM.	1
38		SM-4040655-SN	SCREW	1
39		A2517-654-0A0-B	LOWER LOOPER THREADING DEVICE	1
40		A2517-335-00S	LOWER LOOPER SUPPORT ARM	(1)
41		SM-8040602-TP	SCREW	(2)
42		A2526-335-00A	LOWER LOOPER	(1)
43		SM-5030655-SN	SCREW	(1)
44		A2534-654-0B0-A	LOWER LOOPER THREAD GUIDE ASM.	(1)
45		A2531-335-00S	SCREW	(1)
46		WP-0320501-SC	WASHER	(1)
47		A2532-335-00S	PIN	(1)
48		RE-0200000-K0	E-RING	(1)
49		A2539-335-00S	WASHER	(1)
50		A2533-335-00S	LOWER LOOPER THREAD GUIDE BASE	(1)
51		SM-5030655-SN	SCREW	(2)
52		A2536-554-000-A	MOVABLE NEEDLE GUARD (BACK)	(1)
53		SM-5030655-SN	SCREW	(1)
54		A2537-335-00S-A	LO.LOOPER THREAD GUIDE SPRING	(1)
55		A2520-654-0A0	LOWER LOOPER THREAD TAKE-UP	(1)
56		A2529-335-000	UPPER LOOPER ARM PIN	1
57		A2521-513-0A0	UP.LOOPER THREAD GUIDE	1
58		SM-4030455-SP	SCREW	2
59		SM-9050850-SP	SCREW	1
60		A2510-335-0B0	UPPER LOOPER ARM ASM.	1
61		SM-8040402-TP	SCREW	(1)
62		A2508-335-000	RELEASE LEVER PRESSER	1

7. KNIFE COMPONENTS



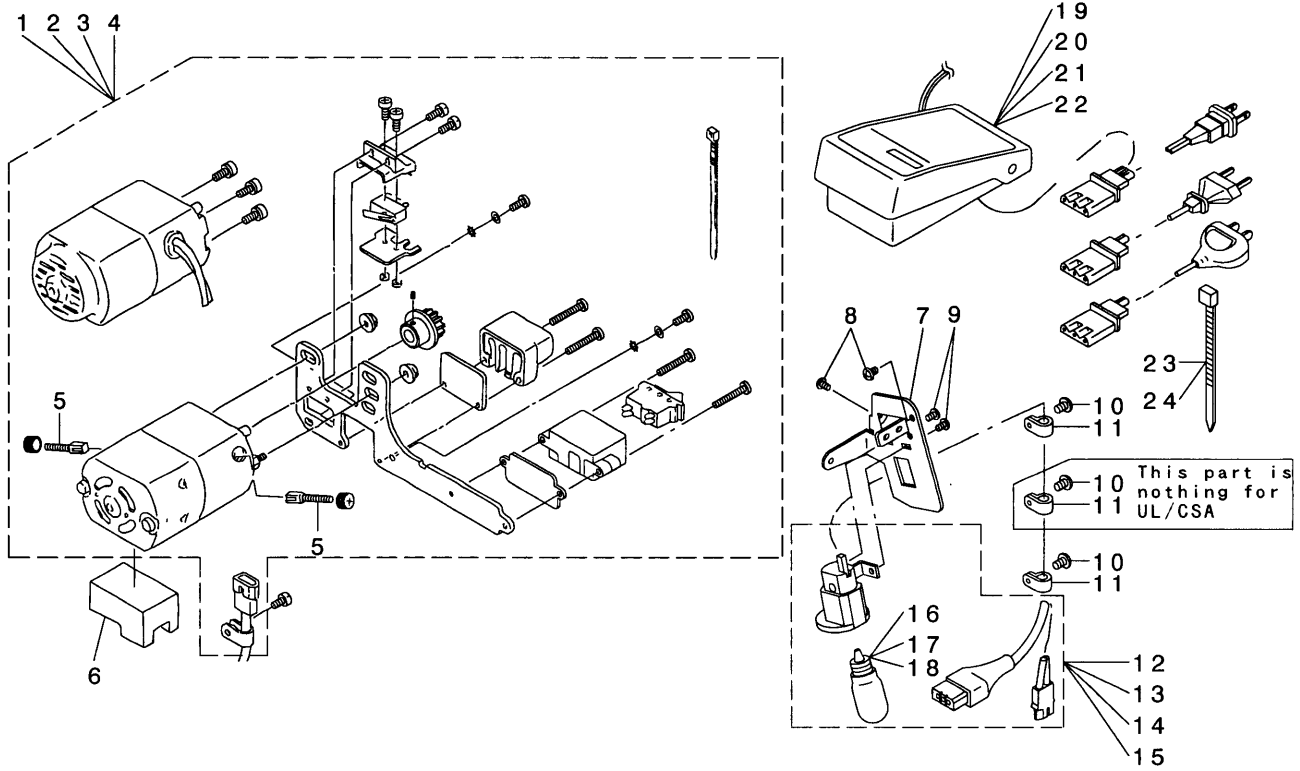
REF.NO	NOTE	PART NO.	DESCRIPTION	Qty
1		A4101-655-OA0	UPPER KNIFE DRIVING ARM ASM.	1
2		A4101-503-000-C	UPPER KNIFE DRIVING ARM	(1)
3		SM-9040700-SP	SCREW	(1)
4		A4142-655-000	UPPER KNIFE	(1)
5		A4103-535-000	UPPER KNIFE HOLDER	(1)
6		A4106-535-000	KNIFE PRESSER SPRING	(1)
7		SM-6051002-TP	SCREW	(1)
8		A4107-502-OA0	KNIFE SPRING SUPPORTING PLATE	(1)
9		SM-8040402-TP	SCREW	(2)
10		A4102-535-000	UPPER KNIFE FORKED ARM	(1)
11		SM-1030601-SP	SCREW	(1)
12		A4105-776-000-A	UPPER KNIFE TURNING KNOB	(1)
13		SM-8030402-TP	SCREW	(2)
14		WP-0820516-SP	WASHER	1
15		A4108-535-000	UPPER KNIFE SHAFT	1
16		RE-0600000-K0	E-RING	1
17		A2112-204-000	BUSHING	2
18		A4140-535-000	L KNIFE ADJ CAM PRESSER SPRING	1
19		SM-4030455-SP	SCREW	1
20		A4130-654-000-A	LOWER KNIFE ADJ. KNOB	1
21		ST-5030851-SN	SCREW	1
22		A4131-655-000	LOWER KNIFE ADJ. SUPPORT	1
23		SM-4040655-SN	SCREW	2
24		A4128-535-000	LOWER KNIFE ADJ.CAM	1
25		A4136-335-000	LOWER KNIFE HOLDER SPRING	1
26		RE-0500000-K0	E-RING	1
27		SM-4030601-SN	SCREW	1
28		A3205-555-A00	KNIFE ANGLE ADJ.SUPPORT STOPPE	1
29		A4121-655-OAC	LOWER KNIFE HOLDER ASM.	1
30		A4149-535-000	LOWER KNIFE ANGLE ADJ.SUPPORT	1
31		A4145-335-000	LOWER KNIFE	1
32		A4123-335-000	LOWER KNIFE PRESSER PLATE	1
33		SM-4040655-SP	SCREW	1
34		A4124-335-000	LOWER KNIFE SUPPORTING PLATE	1
35		SM-4030655-SP	SCREW	1
36		A4147-655-000	CHIP GUARD COVER STOPPER	1
37		A4139-655-000	LOWER KNIFE HOLDER SUPPORT	1
38		SM-4040655-SP	SCREW	2
39		A4125-655-000	LOWER KNIFE HOLDER SHAFT	1
40		SM-8040402-TP	SCREW	1
41		SM-4040655-SP	SCREW	1
42		A2535-655-000	LOCK NEEDLE GUARD (FRONT)	1
43		SM-4030655-SP	SCREW	2
44		A2537-655-000	NEEDLE GUARD SUPPORT PLATE	1
45		SM-5030555-SC	SCREW	2
46		A4134-655-000	CHAIN NEEDLE GUARD,FRONT	1
47		A4122-655-000	LOWER KNIFE HOLDER GUARD PLATE	1
48		SM-4030301-SC	SCREW	1
49		A4135-655-000	CHAIN NEEDLE GUARD,REAR	1
50		SM-4030455-SP	SCREW	4
51		A4132-535-000	LOWER KNIFE ADJ. BASE BUSHING	1
52		WP-0320500-SC	WASHER	2

8. THREAD TENSION COMPONENTS



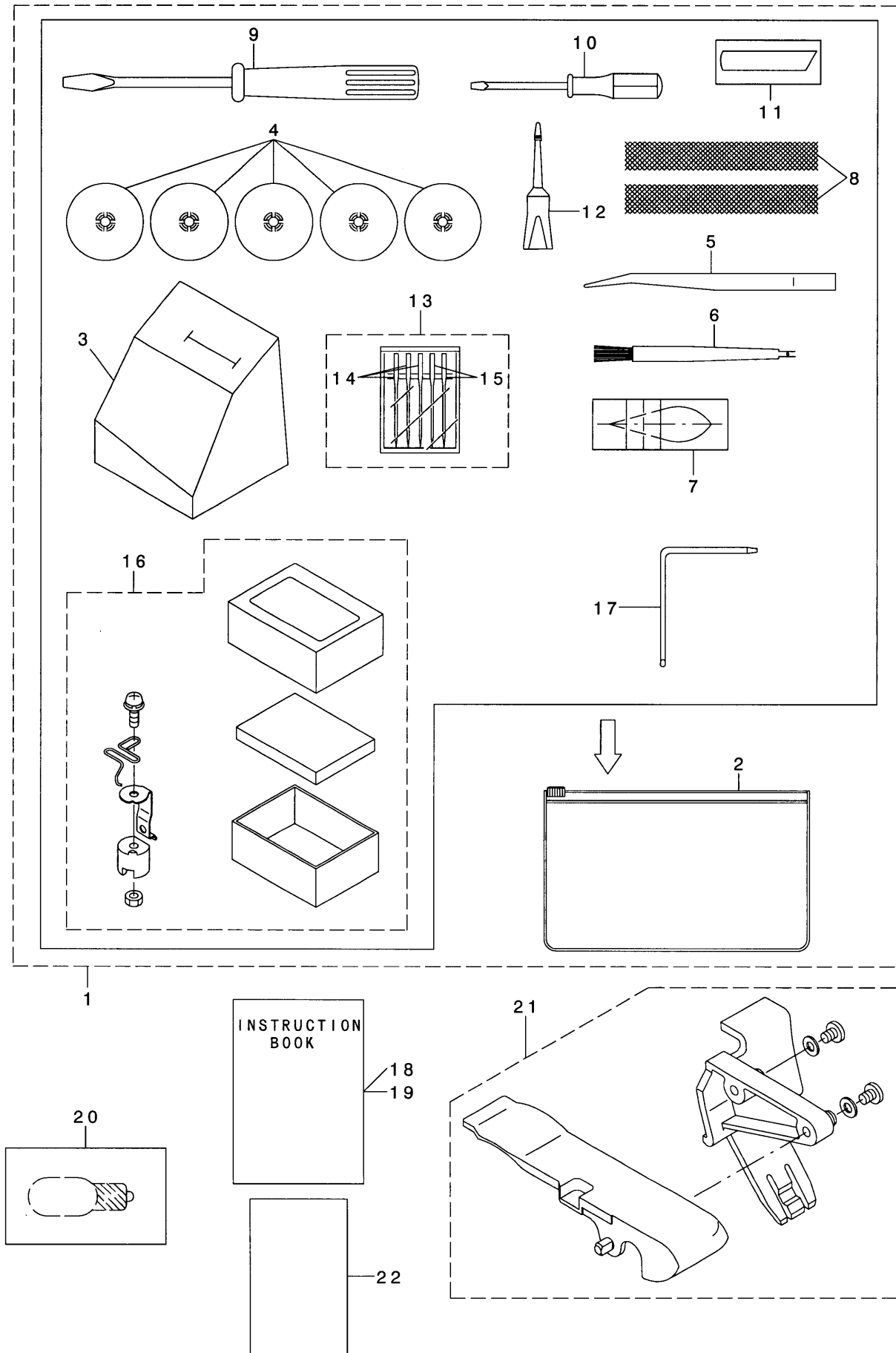
REF.NO	NOTE	PART NO.	DESCRIPTION	Qty
1		SM-5030655-SN	SCREW	1
2		A3101-655-0A0-A	FRONT COVER ASM.	1
3		A3151-535-000	NUT	(1)
4		A3103-502-000	NUT	(4)
5		WP-0380516-SD	WASHER	(4)
6		A3107-655-0B0	1 ST THREAD GUIDE	(1)
7		PS-0200202-KH	PIN	(4)
8		A3118-204-000	NEEDLE THREAD GUIDE	(1)
9		A3110-202-000	THREAD GUIDE B	(3)
10		A3157-535-000	THREAD GUIDE.A	(1)
11		A3119-655-0A0	THREAD TAKE-UP GUIDE ASM.	(1)
12		A3122-655-000	CHAIN THREAD TAKE-UP GUIDE	(1)
13		SM-5030355-SN	SCREW	(1)
14		A3157-634-0AA	THREAD GUIDE(D) (LOWER LOOPER)	(1)
15		A3130-634-000	NEEDLE THREAD GUIDE PLATE	(1)
16		A3102-202-000	NEEDLE THREAD TENSION SHAFT	(4)
17		B3126-352-000	TENSION DISC	(8)
18		A3901-634-000	SPRING	(1)
19		A3901-634-000	SPRING	(1)
20		A3906-634-000	SPRING	(1)
21		A3902-634-000	SPRING	(1)
22		A3134-634-000	TENSION NUT	(4)
23		WP-0510516-SD	WASHER	(4)
24		A3104-654-000-A	THREAD ADJUSTING DIAL	(4)
25		A3106-202-000	WAVED WASHER	(4)
26		A3158-535-000	THREAD ADJUSTING SPRING WASHER	(4)
27		A3105-535-000	DIAL PRESER PLATE	(4)
28		A3109-534-000	SCREW	(4)
29		A3900-634-000	THREAD TENSION SPRING BUSHING	(4)
30		A3118-335-000	NEEDLE THREAD GUIDE	(1)
31		SM-5030855-SN	SCREW	(1)
32		A3157-634-0A0	THREAD GUIDE(C) (UPPER LOOPER)	(1)
33		A3112-644-000	SEAL (UPPER LOOPER)	1
34		A3114-655-000	SEAL (LEFT-HAND NEEDLE)	1
35		A3113-644-000	SEAL (LOWER LOOPER)	1
36		A3111-655-000	SEAL (RIGHT-HAND NEEDLE)	1
37		SM-5040655-SN	SCREW	1
38		SM-5041055-SN	SCREW	1
39		SM-5030855-SN	SCREW	1
40		A3154-634-000-A	FRONT COV. INSTALLATION HOLDER	1
41		ST-5031051-SN	TAPPING SCREW	2
42		A3158-634-000	FRONT COVER FIXING BASE (A)	1
43		ST-5031051-SN	TAPPING SCREW	1

9. LAMP & MOTOR CONTROLLER COMPONENTS



REF.NO	NOTE	PART NO.	DESCRIPTION	Qty
1		A6301-634-HA0	MOTOR ASM. (SAUDI)	1
2		A6301-634-DA0-B	MOTOR ASM. (UL/CSA)	1
3		A6301-634-GA0-A	MOTOR ASM. (VDE)	1
4		A6301-634-GA0-A	MOTOR ASM. (SAA)	1
5		A6090-534-000	CARBON BRUSH (UL/CSA)	(2)
6		A6003-535-000	MOTOR PROTECTOR	1
7		A6007-634-000	LAMP HOLDER SUPPORT	1
8		SM-4040655-SN	SCREW	2
9		SM-5030555-SC	SCREW	2
10		SM-4040655-SN	SCREW	3
11		HX-0015000-0B	CABLE CLIP	3
12		A6006-634-OA0	LAMP HOLDER ASM. (SAUDI)	1
13		A6006-534-01D	LAMP HOLDER ASM. (UL/CSA)	1
14		A6006-634-OAB-A	LAMP HOLDER ASM. (VDE)	1
15		A6006-634-OAB-A	LAMP HOLDER ASM. (SAA)	1
16		A6013-535-000	LAMP (UL/CSA)	(1)
17		A6013-534-C00	LAMP (VDE/SAA)	(1)
18		A6007-134-E00	LAMP (SAUDI)	(1)
19		A6401-634-H00	FOOT CONT. ASM. (SAUDI)	1
20		A6401-634-DA0-C	FOOT CONT. ASM. (UL/CSA)	1
21		A6401-644-OAA-A	FOOT CONT. ASM. (VDE)	1
22		A6401-634-GA0-B	FOOT CONT. ASM. (SAA)	1
23		EA-9500B02-00	CABLE BAND (VDE/SAA/SAUDI)	2
24		EA-9500B02-00	CABLE BAND (UL/CSA)	1
25		SL-5040865-SN	SCREW	2

10. ACCESSORIES PARTS COMPONENTS



REF.NO	NOTE	PART NO.	D E S C R I P T I O N	Qty
1		A9121-655-0A0	ACCESORY BAG ASM.	1
2		A9121-503-000-A	ACCESORY BAG WITH ZIPPER	(1)
3		A9102-644-000	VINYL COVER	(1)
4		A1150-980-00A	SPOOL RETAINER	(5)
5		A9109-202-000	TWEEZERS	(1)
6		A9105-334-000	NEEDLE INSERTER TOOL/BRUSH	(1)
7		A9107-202-0AA	NEEDLE THREADER WITH PACK	(1)
8		A9116-335-000	PLASTIC NET	(2)
9		A9103-102-000	SCREW DRIVER, LARGE	(1)
10		A9107-800-M00	SCREW DRIVER, SMALL	(1)
11		A4145-534-0A0	LOWER KNIFE WITH PACK	(1)
12		A9104-102-0A0	OILER WITH OIL ASM	(1)
13		A9117-503-0A0	NEEDLE CASE ASM. (B)	(1)
14		MHA-100B1100	NEEDLE HAX1 #11	(3)
15		MHA-100B1400	NEEDLE HAX1 #14	(2)
16		A9130-335-0BS	2/3THREAD SELECTOR ATT.ASM.	(1)
17		A9111-335-000	RULER ROD	(1)
18		A9150-655-00A	MANUAL (ENG, SPA, GAR, FRA)	1
19		A9150-655-00B	MANUAL (CZECH, POL, HUNG)	1
20		A6013-634-HA0	LAMP ASM. (SAUDI)	1
21		A1180-655-0A0-A	SUPPORT BED ASM.	1
22		A9153-655-000	QUICK REFERENCE	1

JUKI®

JUKI CORPORATION

HOUSEHOLD SEWING MACHINE DIV.
8-2-1, KOKURYO - CHO, CHOFU-SHI
TOKYO 182-8655, JAPAN
PHONE : (81)3-3480-5034
Facsimile : (81)3-3480-5037

Copyright © 2005 JUKI CORPORATION
All rights reserved throughout the world.