

2-Needle, 4-thread Overlock Sewing Machine

MO-114D/MO-104D

PARTS LIST

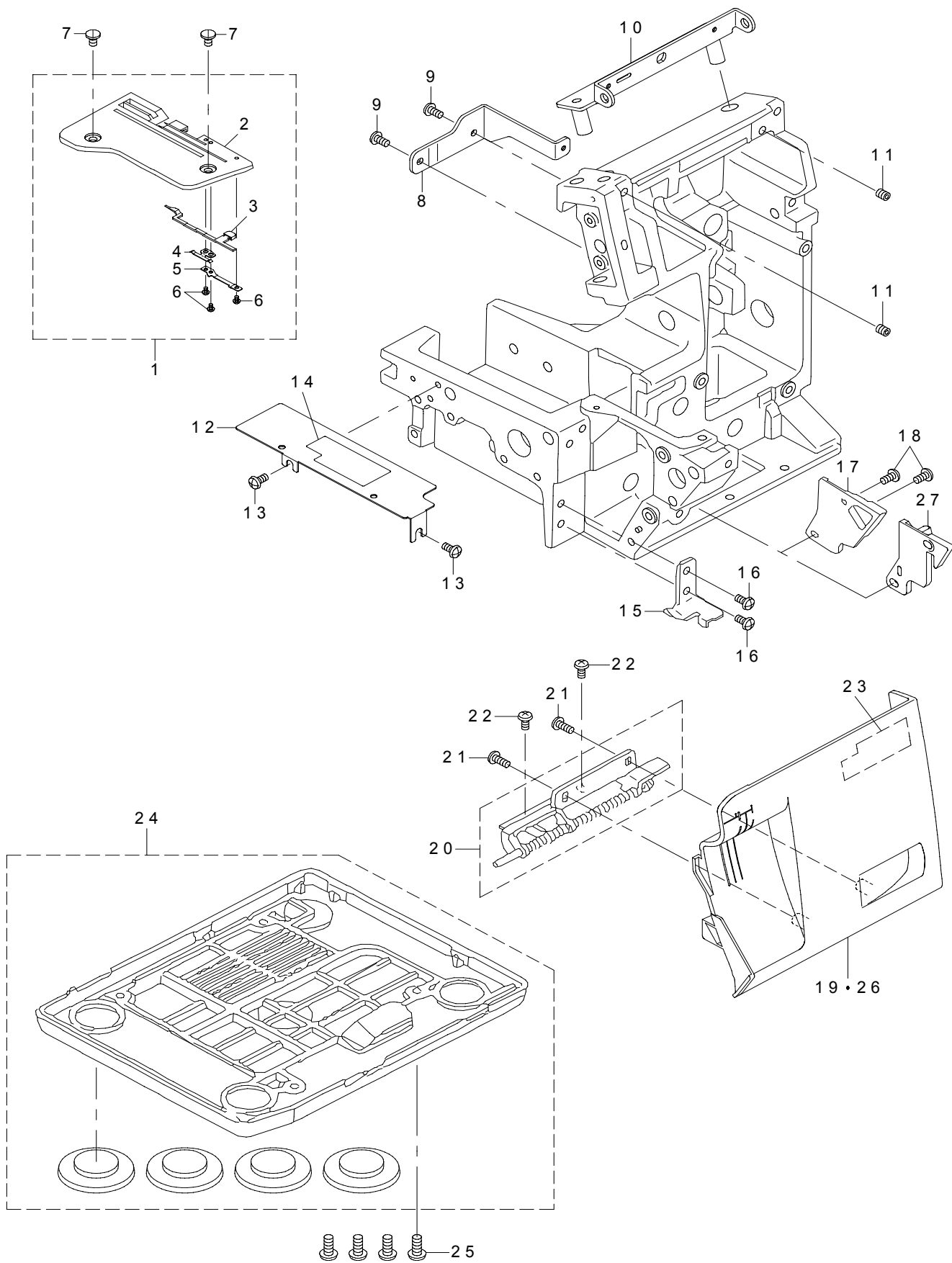
HOW TO MAKE USE OF THIS PARTS LIST

- 1.As to "#01" and "#02" refer to the "Note" given at the bottom of the respective pages.
- 2.Codes on the "Qty" column
 - Each numeral indicates the number of parts required.
 - "0.1" and "2.5" indicate the length (in meters) of the respective parts.
- 3.Parentheses mean that the corresponding part is a subpart that constructs an assembly part.
- 4.Dotted lines on the Figures indicate assembly parts.

CONTENTS

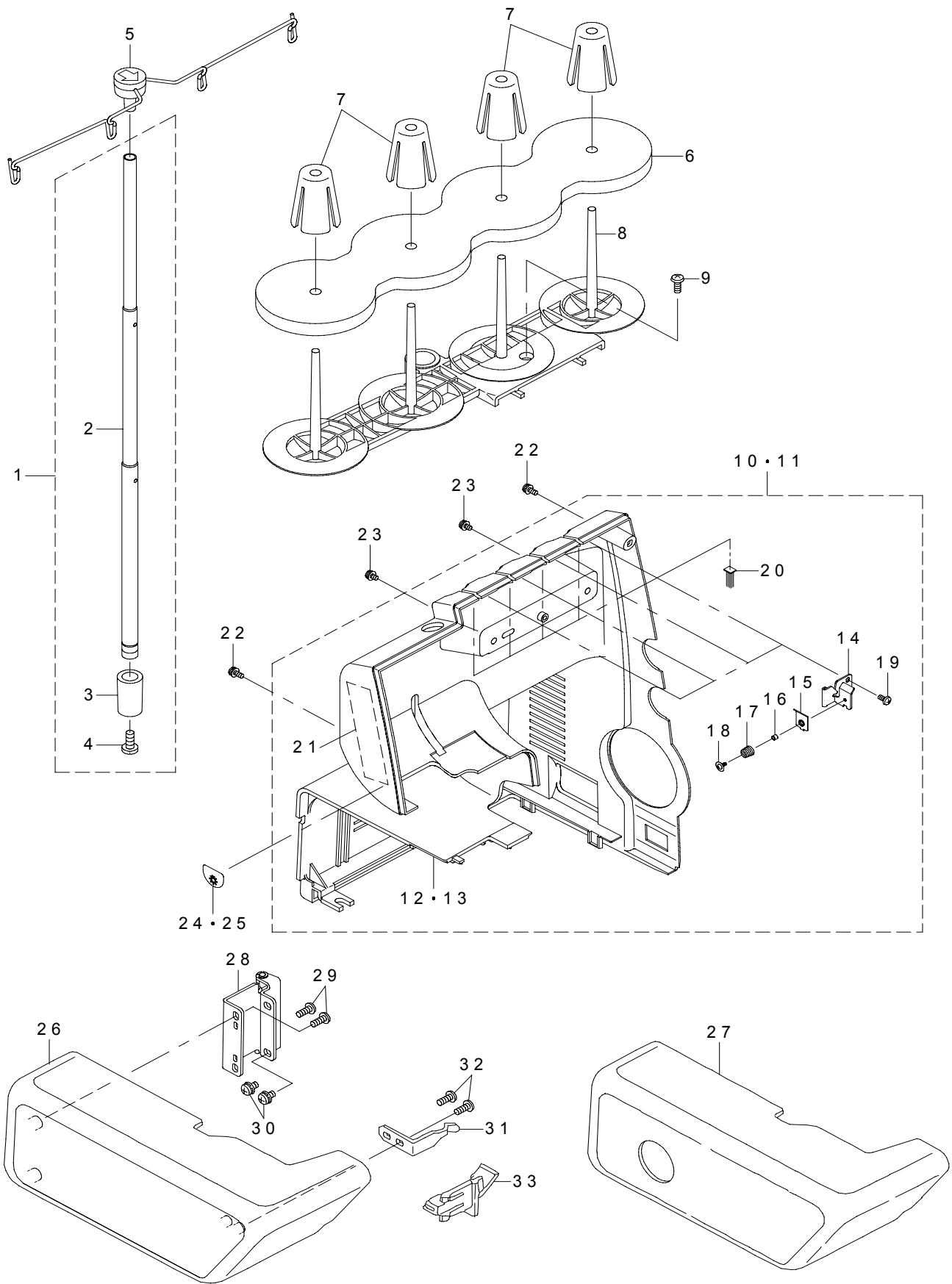
| | |
|--|----|
| 1. COVER COMPONENTS (1) | 1 |
| 2. COVER COMPONENTS (2) | 3 |
| 3. MAIN SHAFT COMPONENTS | 5 |
| 4. PRESSER FOOT COMPONENTS (1) & NEEDLE BAR COMPONENTS | 7 |
| 5. PRESSER FOOT COMPONENTS (2) | 9 |
| 6. FEED MECHANISM COMPONENTS (FOR MO-114D) | 11 |
| 7. FEED MECHANISM COMPONENTS (FOR MO-104D) | 13 |
| 8. LOOPER DRIVE COMPONENTS | 15 |
| 9. THREAD TENSION COMPONENTS | 17 |
| 10. KNIFE DRIVE COMPONENTS | 19 |
| 11. LAMP & FOOT CONTROLLER COMPONENTS | 21 |
| 12. MOTOR COMPONENTS | 23 |
| 13. ACCESSORIES COMPONENTS (FOR MO-114D) | 25 |
| 14. ACCESSORIES COMPONENTS (FOR MO-104D) | 27 |
| NUMERICAL INDEX OF PARTS | 29 |

1. COVER COMPONENTS (1)



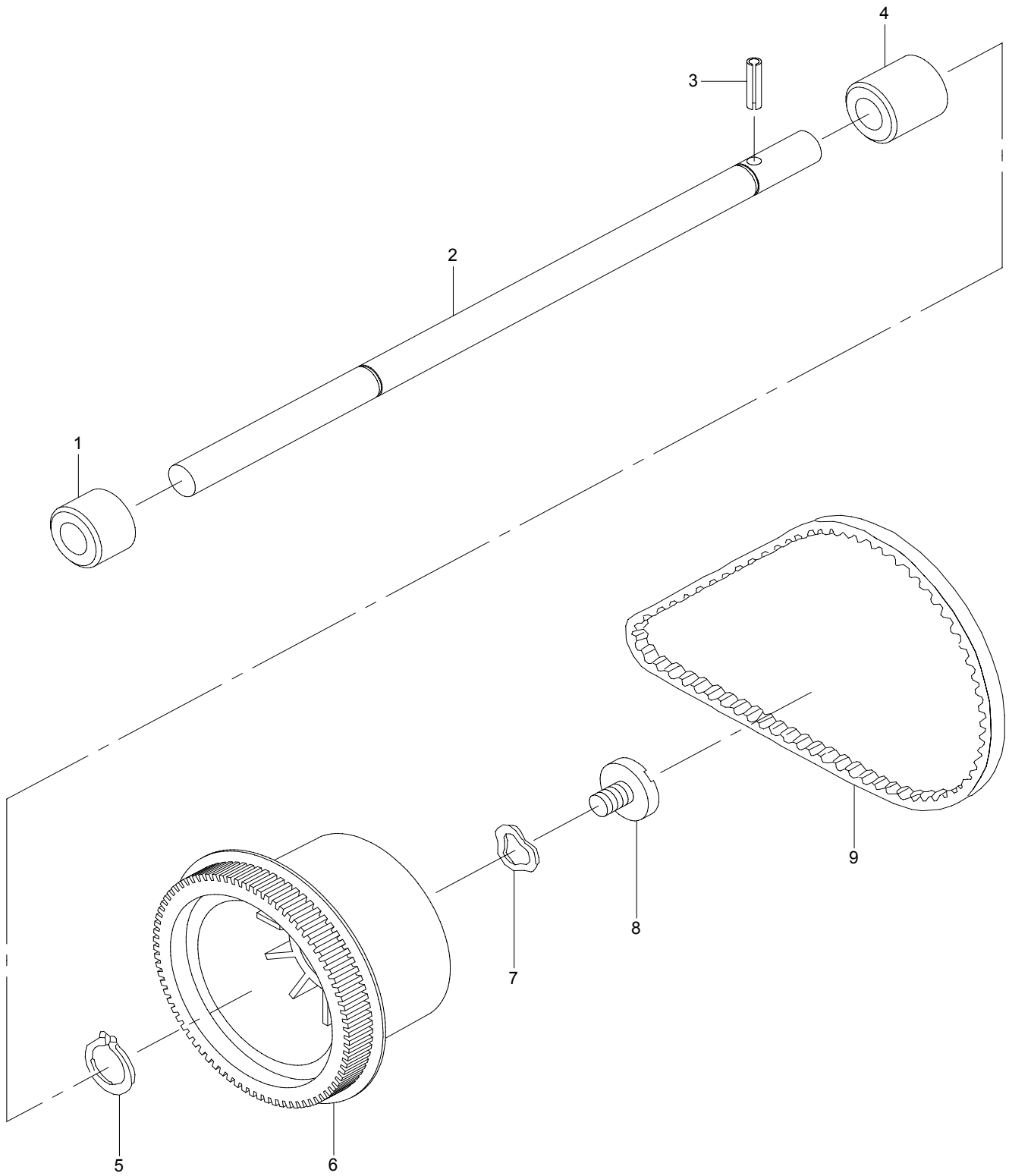
| REF.NO | NOTE | PART NO | DESCRIPTION | Qty |
|--------|------|-----------------|--|-----|
| 1 | | A1115-110-0B0-A | THROAT PLATE (MAS.ASM.) | 1 |
| 2 | | A1115-110-0A0 | THROAT PLATE (ASM.) | (1) |
| 3 | | A1136-314-DA0-A | THROAT PLATE THREAD SLIP | (1) |
| 4 | | A1131-203-000 | SPRING | (1) |
| 5 | | A1132-334-000 | THRESD SLIP GUIDE | (1) |
| 6 | | SM-4020351-SC | SCREW | (3) |
| 7 | | A1138-335-000 | THROAT PLATE SETSCREW | 2 |
| 8 | | A1145-800-000 | FRONT COVER FIXING PLATE | 1 |
| 9 | | SM-5040855-SN | SCREW | 2 |
| 10 | | A1140-800-0A0 | REAR COVER FIXING PLATE | 1 |
| 11 | | SM-8050602-TP | SCREW M5 L=6 | 2 |
| 12 | | A1135-535-000 | OP COVER | 1 |
| 13 | | SM-5040855-SN | SCREW | 2 |
| 14 | | A9196-524-000 | CAUTION LABEL | 1 |
| 15 | | A1164-535-000 | CLOTH PLATE PRESSER PLATE (G) | 1 |
| 16 | | SM-5040855-SN | SCREW | 2 |
| 17 | #01 | A1156-654-000-A | LOOPER COVER GUIDE | 1 |
| 18 | | SM-4040855-SN | SCREW M4 L=8 | 2 |
| 19 | #01 | A1151-14D-0A0 | LOOPER COVER ASM. | 1 |
| 20 | | A1153-800-0A0 | LOOPER COVER HINGE ASM. | 1 |
| 21 | | ST-5041051-SN | SCREW | 2 |
| 22 | | SM-5040855-SN | SCREW | 2 |
| 23 | | A9196-524-000 | CAUTION LABEL | 1 |
| 24 | | A1102-113-0A0 | BASE PLATE ASM. | 1 |
| 25 | | SM-5051255-SN | SCREW | 4 |
| 26 | #02 | 401-66097 | LOOPER_COVER_MO104D_ASM. | 1 |
| 27 | #02 | A1156-644-000 | LOOPER COVER GUIDE | 1 |
| | | NOTE | #01....FOR MO-114D #02....FOR MO-104D | |

2. COVER COMPONENTS (2)



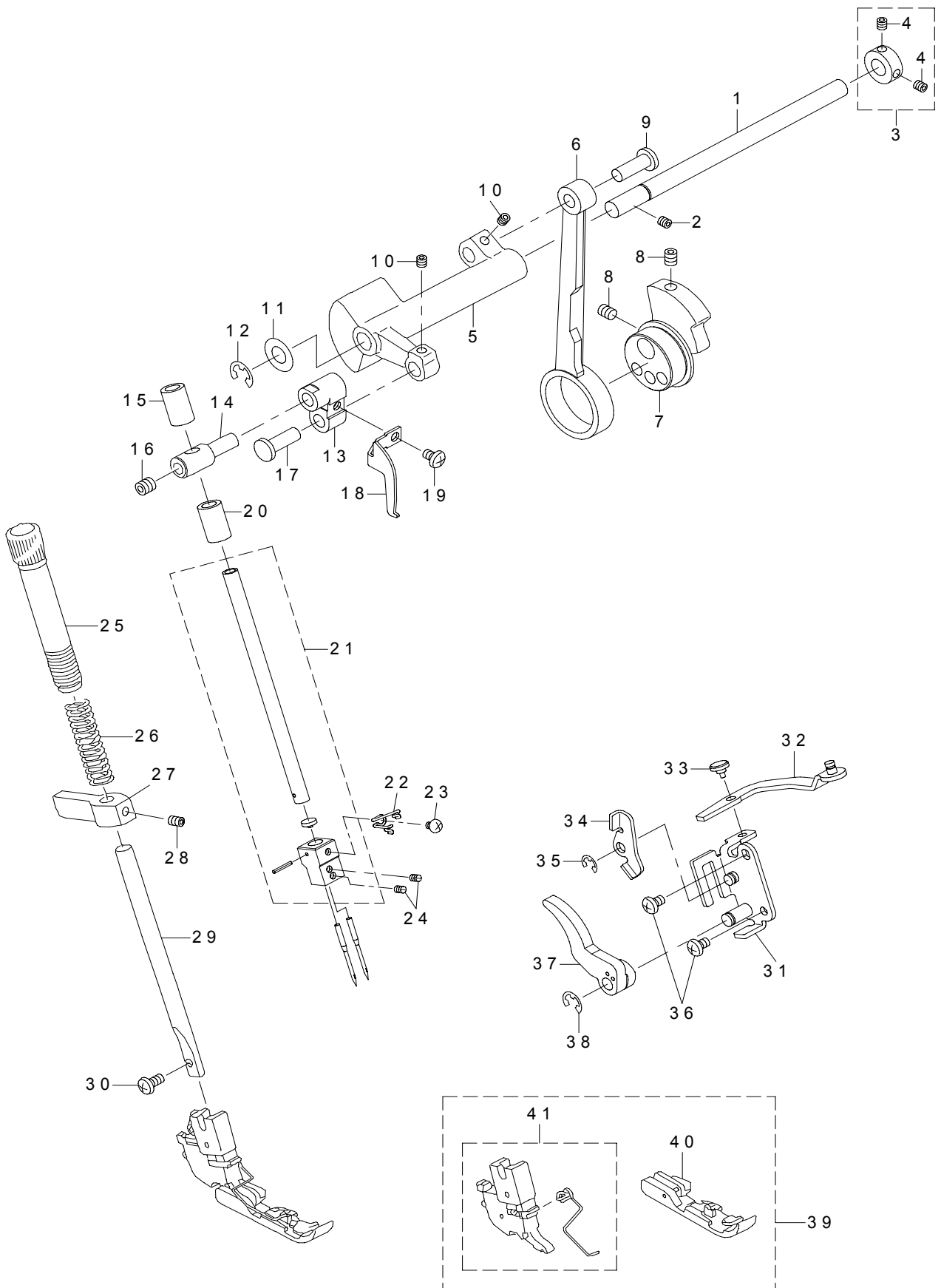
| REF.NO | NOTE | PART NO | DESCRIPTION | Qty |
|--------|------|-----------------|-------------------------------|-----|
| 1 | | A1120-776-0A0-B | SUPPORTING ROD ASM. | 1 |
| 2 | | 400-82787 | THREAD_GUIDE_POST_L | (1) |
| 3 | | A1129-776-000-B | SUPPORTING ROD SETTING BASE | (1) |
| 4 | | SM-5051255-SN | SCREW | (1) |
| 5 | | A1121-110-0A0 | SPOOL HOLDER THR.GUIDE ASM. | 1 |
| 6 | | A1121-776-000 | FOAM PAD | 1 |
| 7 | | A1120-202-000 | SPOOL RETAINER | 4 |
| 8 | | A1118-776-000-B | SPOOL HOLDER | 1 |
| 9 | | ST-5041051-SN | SCREW | 1 |
| 10 | #01 | A1106-14D-0A0 | REAR COVER ASM. | 1 |
| 11 | #02 | 401-67421 | REAR_COVER_ASM. | 1 |
| 12 | #01 | A1106-14D-000 | REAR COVER | (1) |
| 13 | #02 | 401-67418 | REAR_COVER_104D | (1) |
| 14 | | A3303-800-000 | 1ST THR.GUIDE INSTALLING BASE | (4) |
| 15 | | A3171-800-000 | 1ST THR.GUIDE DISK | (4) |
| 16 | | A3176-776-000 | 1ST THR.GUIDE COLLAR | (4) |
| 17 | | 401-43792 | 1ST_THREAD_GUIDE_SPRING | (4) |
| 18 | | A3107-776-000-A | 1ST THR.GUIDE DISK SCREW | (4) |
| 19 | | ST-5030651-SN | TAPPING SCREW D=3 L=6 | (4) |
| 20 | | A3185-113-000 | THREAD TENSION PILE | (4) |
| 21 | | A6018-800-000 | LAMP SHIELDING SEAL | (1) |
| 22 | | SL-5030831-SF | SCREW M3 L=8 | 2 |
| 23 | | SL-5030631-SF | SCREW M3 L=6 | 2 |
| 24 | #03 | A3121-800-000 | LAMP INSTR.STICKER(15W) | 1 |
| 25 | #04 | A3121-800-A00 | LAMP INSTR.STICKER(10W) | 1 |
| 26 | #01 | A1104-644-000-B | CLOTH PLATE | 1 |
| 27 | #02 | A1104-64D-000-B | CLOTH PLATE | 1 |
| 28 | | A1161-535-0A0 | CLOTH PLATE HINGE ASM. | 1 |
| 29 | | ST-5041051-SN | SCREW | 2 |
| 30 | | SL-4040855-SN | SCREW M4 L=8 | 2 |
| 31 | | A1160-634-000 | CLOTH PLATE OPENING SPRING | 1 |
| 32 | | ST-5041051-SN | SCREW | 2 |
| 33 | | A1104-644-A00-A | CLOTH PLATE COVER | 1 |
| | | NOTE | #01....FOR MO-114D | |
| | | | #02....FOR MO-104D | |
| | | | #03....FOR UL | |
| | | | #04....FOR BS/CE/CH | |

3. MAIN SHAFT COMPONENTS



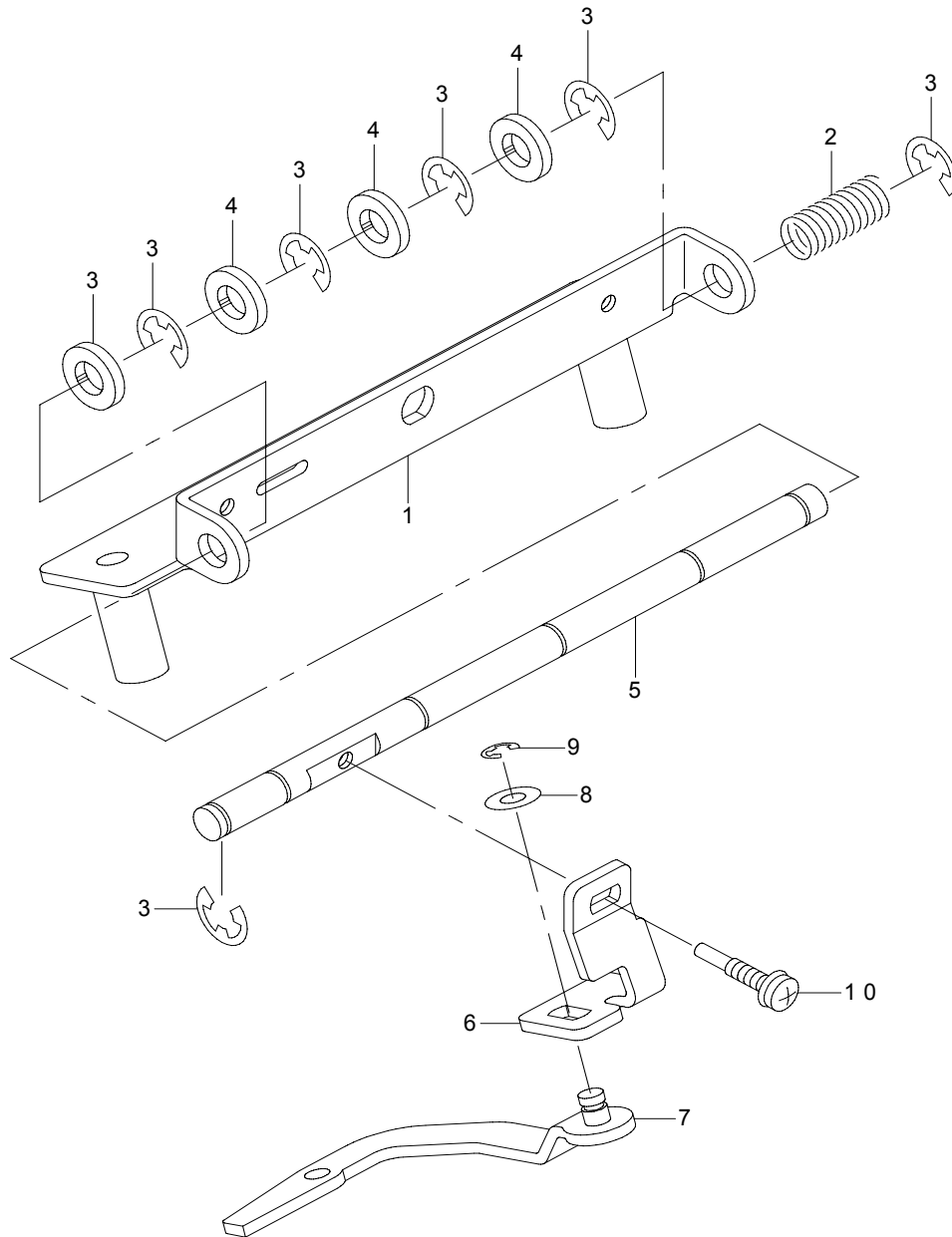
| REF.NO | NOTE | PART NO | DESCRIPTION | Qty |
|--------|------|-----------------|--------------------------|-----|
| 1 | | A1206-335-000 | MAIN SHAFT BUSHING FRONT | 1 |
| 2 | | 400-71772 | MAIN SHAFT | 1 |
| 3 | | PS-0400222-KP | SPRING PIN | 1 |
| 4 | | A1206-202-000 | MAIN SHAFT BUSHING | 1 |
| 5 | | A1206-102-000 | C RING | 1 |
| 6 | | A1202-113-000 | HAND WHEEL | 1 |
| 7 | | A1206-535-000 | HANDWHEEL WASHER | 1 |
| 8 | | A1230-500-000-A | HANDWHEEL SETSCREW | 1 |
| 9 | | A1205-634-000 | TIMING BELT | 1 |

4. PRESSER FOOT COMPONENTS (1) & NEEDLE BAR COMPONENTS



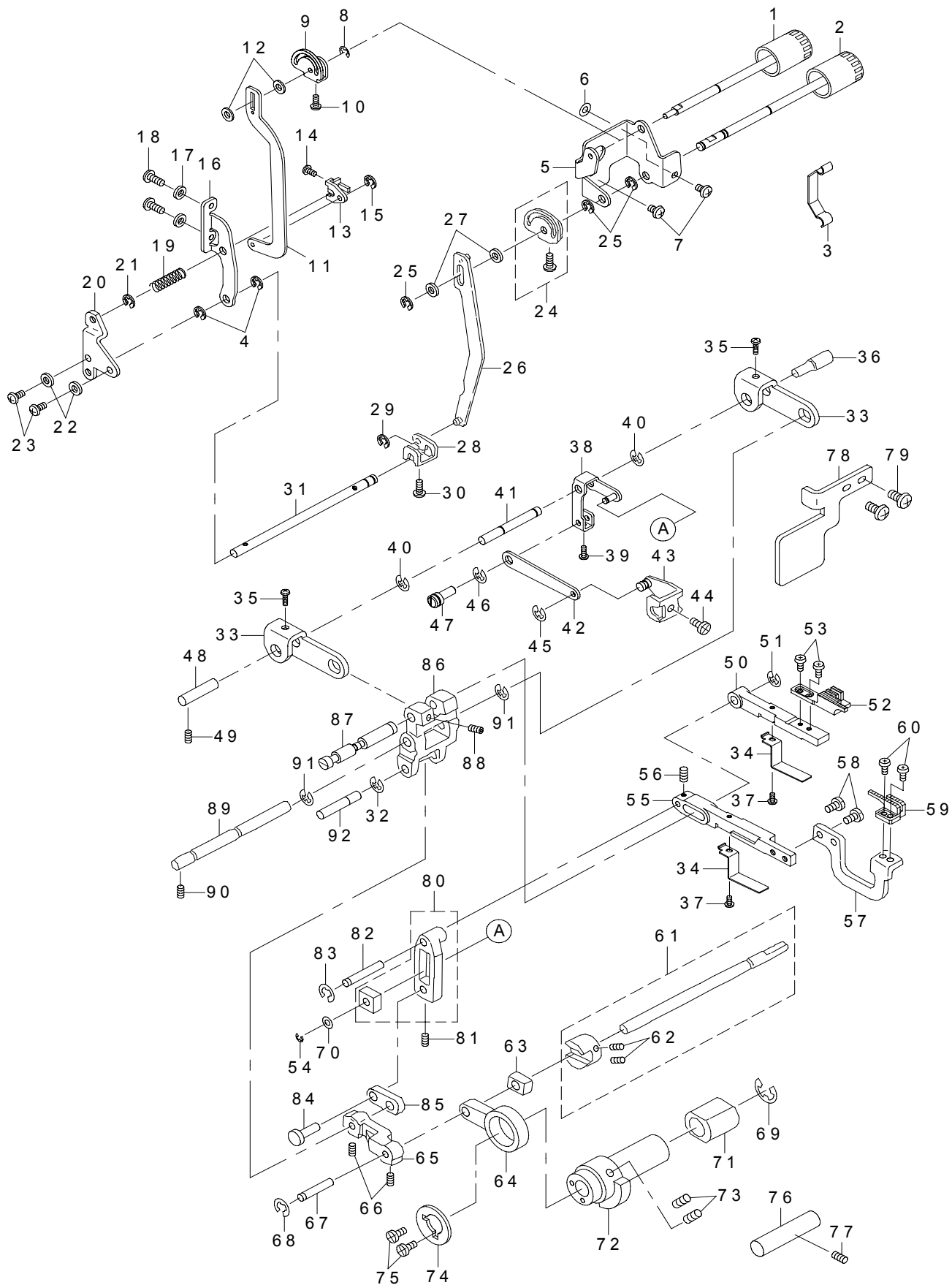
| REF.NO | NOTE | PART NO | DESCRIPTION | Qty |
|--------|------|-----------------|------------------------------|-----|
| 1 | | A1404-535-000 | NEEDLE BAR DRIVING SHAFT | 1 |
| 2 | | SM-8040402-TP | SCREW M4X0.7 L=4 | 1 |
| 3 | | A1414-502-0A0 | THRUST COLLAR ASM. | 1 |
| 4 | | SM-8040402-TP | SCREW M4X0.7 L=4 | (2) |
| 5 | | A1402-535-000 | NEEDLE BAR CRANK | 1 |
| 6 | | A1403-335-000-A | NEEDLE BAR CRANK ROD | 1 |
| 7 | | A1401-535-000-A | NEEDLE BAR DRIVING CAM | 1 |
| 8 | | SM-8050612-TP | SCREW M5X6 | 2 |
| 9 | | A1403-102-000 | CONNECTING PIN | 1 |
| 10 | | SM-8040402-TP | SCREW M4X0.7 L=4 | 2 |
| 11 | | WP-0820516-SP | WASHER 11.6X8.2X0.6 | 1 |
| 12 | | RE-0600000-K0 | E-RING 6 | 1 |
| 13 | | A1412-535-000 | NEEDLE BAR LINK | 1 |
| 14 | | A1411-335-000 | CLOTH PLATE FIXING SPRING | 1 |
| 15 | | A1407-102-000 | NEEDLE BAR BUSHING LOWER | 1 |
| 16 | | SM-8060602-TP | SCREW M6X6 | 1 |
| 17 | | A1403-102-000 | CONNECTING PIN | 1 |
| 18 | | A1412-534-000 | NEEDLE THREAD TAKE-UP | 1 |
| 19 | | SM-4040655-SN | SCREW M4X0.7 L=6 | 1 |
| 20 | | A1407-102-000 | NEEDLE BAR BUSHING LOWER | 1 |
| 21 | | A1406-534-0A0 | NEEDLE BAR ASM. | 1 |
| 22 | | A1409-534-000 | NEEDLE BAR GUIDE | 1 |
| 23 | | SM-4030455-SN | SCREW | 1 |
| 24 | | A1416-777-000 | NEEDLE SCREW | 2 |
| 25 | | A1503-634-000 | PRESSER FOOT ADJUSTING SCREW | 1 |
| 26 | | A1501-535-000 | PRESSER SPRING | 1 |
| 27 | | A1502-535-000 | PRESSER BAR GUIDE BRACKET | 1 |
| 28 | | SM-8050402-TP | SCREW | 1 |
| 29 | | A1507-535-000 | PRESSER BAR | 1 |
| 30 | | SM-5040855-SN | SCREW | 1 |
| 31 | | A1504-9DC-0A0-A | LIFTING LEVER SET PLATE ASM. | 1 |
| 32 | | A1573-9DC-0A0 | THR.TENS.RELEASE LINK ASM. | 1 |
| 33 | | A1569-9DC-000 | THR.TENS.RELEASE LINK PIN | 1 |
| 34 | | A1572-9DC-000 | THR.TENS.RELEASE DRIVING ARM | 1 |
| 35 | | RE-0400000-K0 | E-RING 4 | 1 |
| 36 | | SM-4040655-SN | SCREW M4X0.7 L=6 | 2 |
| 37 | | A1506-9DC-000-A | LIFTING LEVER | 1 |
| 38 | | RE-0500000-K0 | E-RING | 1 |
| 39 | | A1501-800-0C0-A | PRESSER FOOT MAS.ASM. | 1 |
| 40 | | A1501-800-0A0 | PRESSER FOOT ASM. | (1) |
| 41 | | A1514-800-0B0-A | PRESSER FOOT SHANK ASM. | (1) |

5. PRESSER FOOT COMPONENTS (2)



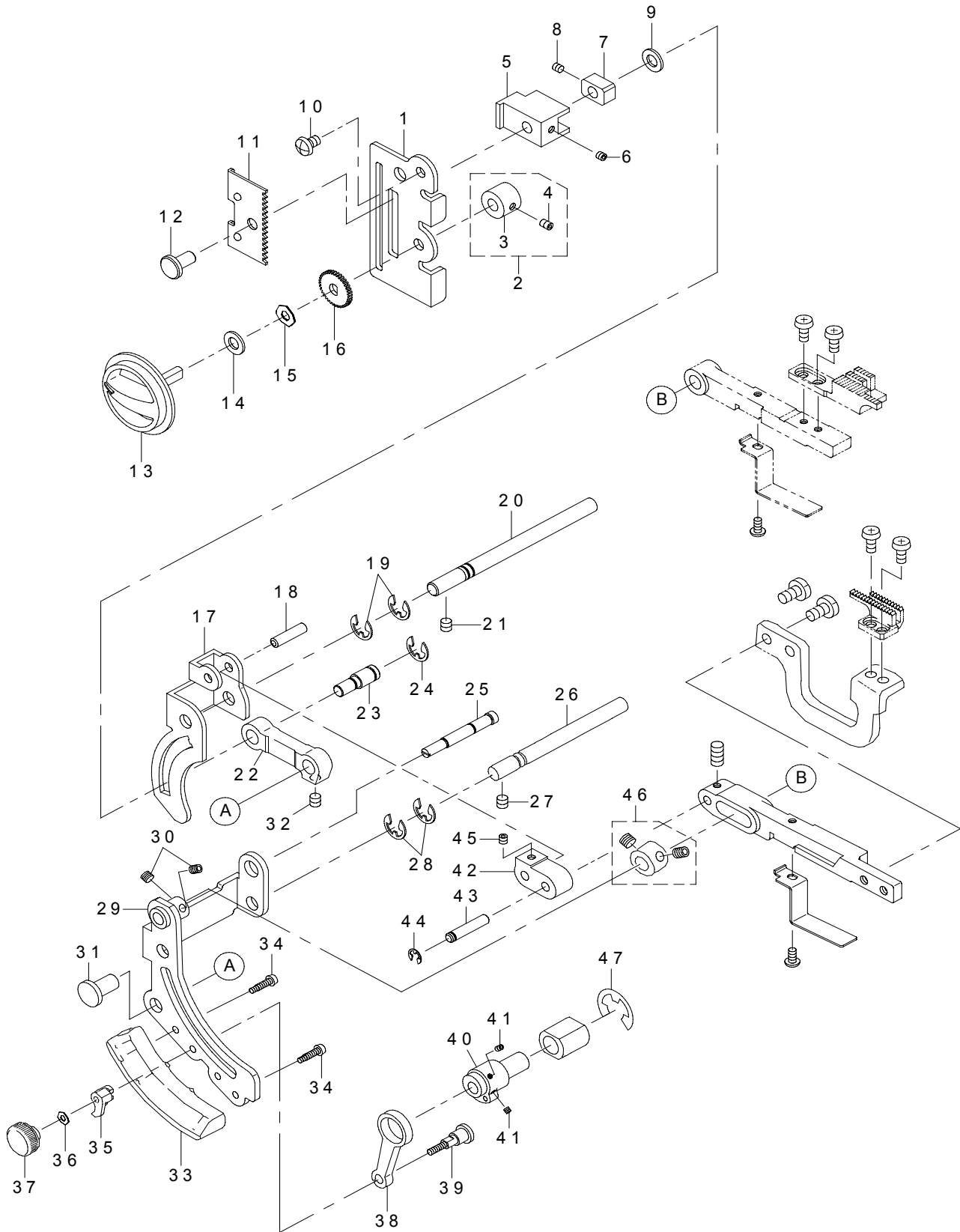
| REF.NO | NOTE | PART NO | DESCRIPTION | Qty |
|--------|------|---------------|----------------------------|-----|
| 1 | | A1140-800-0A0 | REAR COVER FIXING PLATE | 1 |
| 2 | | A1574-110-000 | SPRING | 1 |
| 3 | | RE-0500000-K0 | E-RING | 6 |
| 4 | | A1577-110-000 | WASHER | 4 |
| 5 | | A1573-800-000 | SHAFT | 1 |
| 6 | | A1574-800-000 | ADJUSTMENT ARM | 1 |
| 7 | | A1573-9DC-0A0 | THR.TENS.RELEASE LINK ASM. | 1 |
| 8 | | A1577-110-000 | WASHER | 1 |
| 9 | | RE-0300000-K0 | E-RING 3 | 1 |
| 10 | | A1208-700-000 | SCREW R | 1 |

6. FEED MECHANISM COMPONENTS (FOR MO-114D)



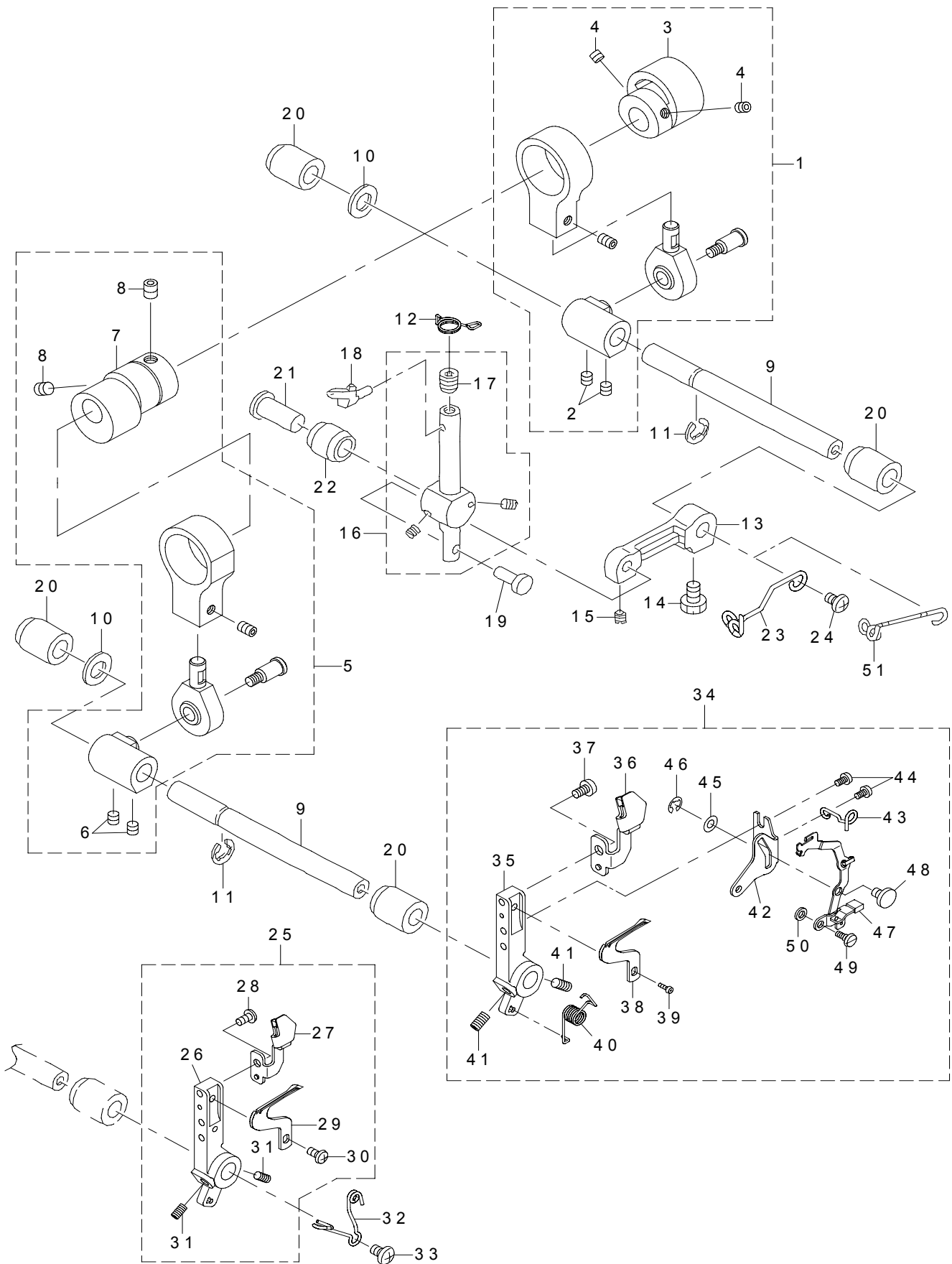
| REF.NO | NOTE | PART NO | DESCRIPTION | Qty |
|--------|------|-----------------|--------------------------------|-----|
| 1 | | A1601-800-000 | STITCH LENGHT ADJUSTNG KNOB | 1 |
| 2 | | A1602-800-000 | DIF.FEED ADJUSTING KNOB | 1 |
| 3 | | A1611-655-000 | KNOB HOLDING PLATE | 1 |
| 4 | | RE-0500000-K0 | E-RING | 2 |
| 5 | | A1610-655-000 | FEED KNOB SUPPORT PLATE | 1 |
| 6 | | WP-0410516-RZ | WASHER | 1 |
| 7 | | SM-4040655-SN | SCREW M4X0.7 L=6 | 2 |
| 8 | | RE-0400000-K0 | E-RING 4 | 1 |
| 9 | | A1613-655-000 | MAIN FEED ADJUSTING CAM | 1 |
| 10 | | SM-5030855-SN | SCREW | 1 |
| 11 | | A1619-655-0A0 | MAIN FEED ADJUSTING LINK (A) | 1 |
| 12 | | WP-0410516-RZ | MAIN FEED ADJUSTING CAM WASHER | 2 |
| 13 | | A1630-534-D00 | MAIN FEED ADJUSTING ARM | 1 |
| 14 | | SM-5030655-SN | SCREW M3X0.5 L=6 | 1 |
| 15 | | RE-0300000-K0 | E-RING 3 | 1 |
| 16 | | A1634-655-000-A | FEED ADJ.SHAFT SUPPORT PLATE | 1 |
| 17 | | WP-0430801-SC | WASHER M4 | 2 |
| 18 | | SM-5041055-SN | SCREW M4X10 | 2 |
| 19 | | A1633-534-D00 | SPRING | 1 |
| 20 | | A1635-534-D00 | BEARING | 1 |
| 21 | | RE-0500000-K0 | E-RING | 1 |
| 22 | | WP-0450816-SC | WASHER | 2 |
| 23 | | SM-5041055-SN | SCREW M4X10 | 2 |
| 24 | | A1637-534-DA0 | DIF.FEED ADJ.CAM ASM. | 1 |
| 25 | | RE-0400000-K0 | E-RING 4 | 3 |
| 26 | | A1620-534-DA0 | DIF.FEED ADJUSTING LINK | 1 |
| 27 | | A1614-534-D00 | COLLAR | 2 |
| 28 | | A1655-534-D00 | DIF.FEED.ADJ.ARM | 1 |
| 29 | | RE-0300000-K0 | E-RING 3 | 1 |
| 30 | | SM-5030655-SN | SCREW M3X0.5 L=6 | 1 |
| 31 | | A1662-655-000-A | SHAFT | 1 |
| 32 | | RE-0400000-K0 | E-RING 4 | 1 |
| 33 | | A1660-534-D00-A | DIF.FEED SHAFT HOLDER | 1 |
| 34 | | A1616-030-Z00 | SPRING | 2 |
| 35 | | SM-5031001-SE | SCREW M3 L=10 | 2 |
| 36 | | A1664-534-D00 | SHAFT | 1 |
| 37 | | SM-4030655-SP | SCREW | 2 |
| 38 | | A1661-800-0A0 | SUB FEED ADJUSTING ARM (A)ASM. | 1 |
| 39 | | SM-5030855-SN | SCREW | 1 |
| 40 | | RE-0500000-K0 | E-RING | 2 |
| 41 | | A1660-800-000 | SUB FEED ADJ.ARM SHAFT | 1 |
| 42 | | A1653-776-000 | DIF.FEED ADJUSTING LINK A | 1 |
| 43 | | A1657-534-DA0 | SUB FEED ADJ.ARM SHAFT B ASM. | 1 |
| 44 | | SM-5030655-SN | SCREW M3X0.5 L=6 | 1 |
| 45 | | RE-0300000-K0 | E-RING 3 | 1 |
| 46 | | RE-0500000-K0 | E-RING | 1 |
| 47 | | A1654-776-000-A | ECCENTRIC PIN | 1 |
| 48 | | A1663-534-D00 | DIF.FEED SHAFT (A) | 1 |
| 49 | | SM-8040402-TP | SCREW M4X0.7 L=4 | 1 |
| 50 | | A1625-800-000 | FEED BASE | 1 |
| 51 | | RE-0500000-K0 | E-RING | 1 |
| 52 | | A1627-634-D00 | MAIN FEED DOG | 1 |
| 53 | | SM-4030655-SP | SCREW | 2 |
| 54 | | RE-0300000-K0 | E-RING 3 | 1 |
| 55 | | A1639-800-000 | SUB FEED BASE | 1 |
| 56 | | SM-8030302-TP | SCREW M3X0.5 L=3 | 1 |
| 57 | | A1648-535-000 | DIF.FEED DOG SETTING BASE T | 1 |
| 58 | | SM-9040700-SP | HEXAGONAL BOLT | 2 |
| 59 | | A1648-800-000 | SUB FEED DOG | 1 |
| 60 | | SM-4030655-SP | SCREW | 2 |
| 61 | | A1637-534-DA0 | FEED REGULATOR (ASM.) | 1 |
| 62 | | SM-8030402-TP | SCREW M3X0.5 L=4 | (2) |
| 63 | | A1638-776-000 | MAIN FEED SLIDE BLOCK | 1 |
| 64 | | A1616-534-D00 | MAIN FEED ROD | 1 |
| 65 | | A1640-534-D00 | MAIN FEED LINK | 1 |
| 66 | | SM-8030402-TP | SCREW M3X0.5 L=4 | 2 |
| 67 | | A1639-534-D00 | SHAFT | 1 |
| 68 | | RE-0400000-K0 | E-RING 4 | 1 |
| 69 | | RE-0900000-K0 | E-RING 9 | 1 |
| 70 | | WP-0430801-SC | WASHER M4 | 1 |
| 71 | | A1630-535-000 | VERTICAL FEED ADS. | 1 |
| 72 | | A1617-534-D00-A | MAIN FEED CAM | 1 |
| 73 | | SM-8040602-TP | SCREW M4X0.7 L=6 | 2 |
| 74 | | A1618-534-D00 | THRUST PLATE | 1 |
| 75 | | A1618-534-D0A | SCREW | 2 |
| 76 | | A1612-535-000 | FEED BASE GUIDE ROD | 1 |
| 77 | | SM-8040402-TP | SCREW M4X0.7 L=4 | 1 |
| 78 | | A1613-535-000 | FEED BASE GUIDE | 1 |
| 79 | | SM-4040655-SN | SCREW M4X0.7 L=6 | 2 |
| 80 | | A1651-534-DA0 | DIF.FEED ARM ASM. | 1 |
| 81 | | SM-8030402-TP | SCREW M3X0.5 L=4 | 1 |
| 82 | | A1665-534-D00 | SHAFT | 1 |
| 83 | | RE-0300000-K0 | E-RING 3 | 1 |
| 84 | | A2529-335-000 | UPPER LOOPER ARM PIN | 1 |
| 85 | | A1650-534-D00 | DIF FEED LINK | 1 |
| 86 | | A1645-534-D00 | MAIN FEED ARM | 1 |
| 87 | | A1646-534-D00 | BASE SUPPORTING SHAFT | 1 |
| 88 | | SM-8040402-TP | SCREW M4X0.7 L=4 | 1 |
| 89 | | A1647-534-D00 | MAIN FEED SHAFT | 1 |
| 90 | | SM-8040402-TP | SCREW M4X0.7 L=4 | 1 |
| 91 | | RE-0500000-K0 | E-RING | 1 |
| 92 | | A1641-534-D00 | SHAFT | 1 |

7. FEED MECHANISM COMPONENTS (FOR MO-104D)



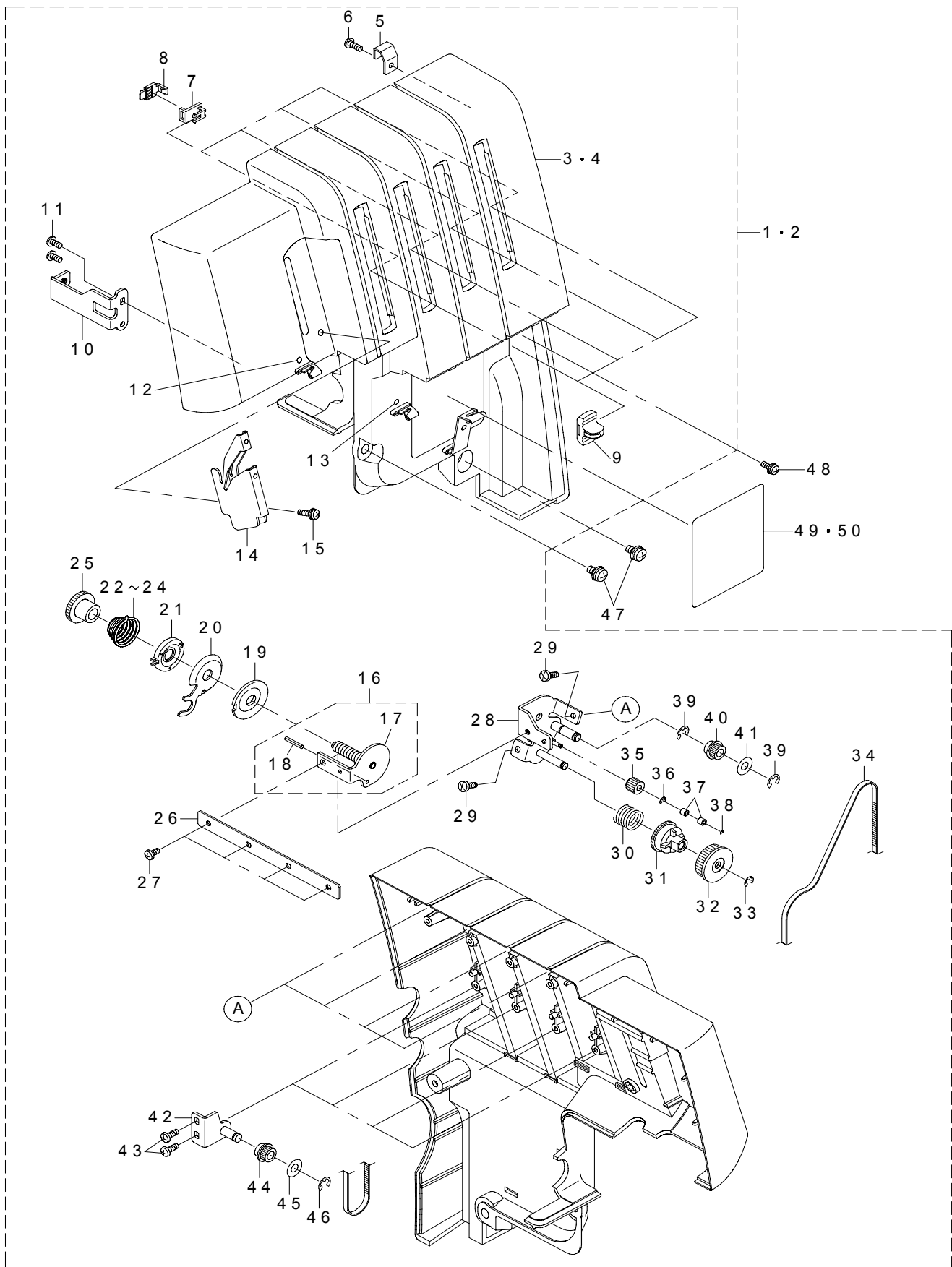
| REF.NO | NOTE | PART NO | DESCRIPTION | Qty |
|--------|------|-----------------|---------------------------------------|-----|
| 1 | | A1674-52D-000 | DIF FEED ADJUSTING PLATE | 1 |
| 2 | | A1616-880-0A0 | DIF FEED ADJUSTING THRUST COLLAR ASM. | 1 |
| 3 | | A1616-880-000 | THRUST COLLAR | (1) |
| 4 | | SM-8030302-TP | SCREW M3X0.5 L=3 | (1) |
| 5 | | A1651-52D-000 | DIF.FEED BLOCK GUIDE | 1 |
| 6 | | SM-8030302-TP | SCREW M3X0.5 L=3 | 1 |
| 7 | | A1638-776-000 | MAIN FEED SLIDE BLOCK | 1 |
| 8 | | SM-8030302-TP | SCREW M3X0.5 L=3 | 1 |
| 9 | | WP-0531001-SC | WASHER 5.3X10X1 | 1 |
| 10 | | SM-5040655-SN | SCREW | 1 |
| 11 | | A1675-52D-0A0 | DIF.FEED ADJUSTING | 1 |
| 12 | | A1676-52D-000 | GUIDE PIN | 1 |
| 13 | | A1602-64D-000-A | DIF.FEED ADJUSTING KNOB | 1 |
| 14 | | WP-0531001-SC | WASHER 5.3X10X1 | 1 |
| 15 | | WZ-0540200-KH | WAVE WASHER 5.4X10X0.15 | 1 |
| 16 | | A1673-52D-000 | DIF.FEED ADJUSTING GEAR | 1 |
| 17 | | A1636-535-000-A | DIF.FEED ARM T | 1 |
| 18 | | A1634-535-000 | DIF.FEED ARM CONN.SHAFT | 1 |
| 19 | | RE-0500000-K0 | E-RING | 2 |
| 20 | | A1637-52D-000 | DIF.FEED SHAFT | 1 |
| 21 | | SM-8040402-TP | SCREW M4X0.7 L=4 | 1 |
| 22 | | A1631-535-000 | DIF.FEED ADJUSTING LINK | 1 |
| 23 | | A1670-52D-000 | DIF.FEED CONN.SHAFT | 1 |
| 24 | | RE-0500000-K0 | E-RING | 1 |
| 25 | | A1626-535-000-A | FEED BASE SUPPORT SHAFT | 1 |
| 26 | | A1622-535-000 | HORIZONTAL FEED SHAFT | 1 |
| 27 | | SM-8040402-TP | SCREW M4X0.7 L=4 | 1 |
| 28 | | RE-0500000-K0 | E-RING | 2 |
| 29 | | A1623-535-0A0 | FEED BASE ARM | 1 |
| 30 | | SM-8040302-TP | SETSCREW | 2 |
| 31 | | A1620-335-000 | HORIZONTAL FEED ARM PIN | 1 |
| 32 | | SM-8040402-TP | SCREW M4X0.7 L=4 | 1 |
| 33 | | A1628-535-000-A | FEED ADJUSTING SCALE | 1 |
| 34 | | ST-4861051-SN | TUPING SCREW | 2 |
| 35 | | A1652-535-000 | FEED ADJUSTING POINTER | 1 |
| 36 | | WZ-0430200-KP | WASHER | 1 |
| 37 | | A1650-534-000 | FEED ADJUSTING KNOB | 1 |
| 38 | | A1616-535-000 | HORIZONTAL FEED CAM | 1 |
| 39 | | A1651-535-000 | FEED ADJUSTING ROD | 1 |
| 40 | | A1617-534-000-A | HORIZONTAL FEED CAM | 1 |
| 41 | | SM-8040602-TP | SCREW M4X0.7 L=6 | 2 |
| 42 | | A1637-535-000 | DIF FEED LINK | 1 |
| 43 | | A1635-535-000 | DIF.FEED CONN.SHAFT | 1 |
| 44 | | RE-0300000-K0 | E-RING 3 | 1 |
| 45 | | SM-8030302-TP | SCREW M3X0.5 L=3 | 1 |
| 46 | | A1616-880-0A0 | THRUST COLLAR ASM. | 1 |
| 47 | | RE-0900000-K0 | E-RING 9 | 1 |

8. LOOPER DRIVE COMPONENTS



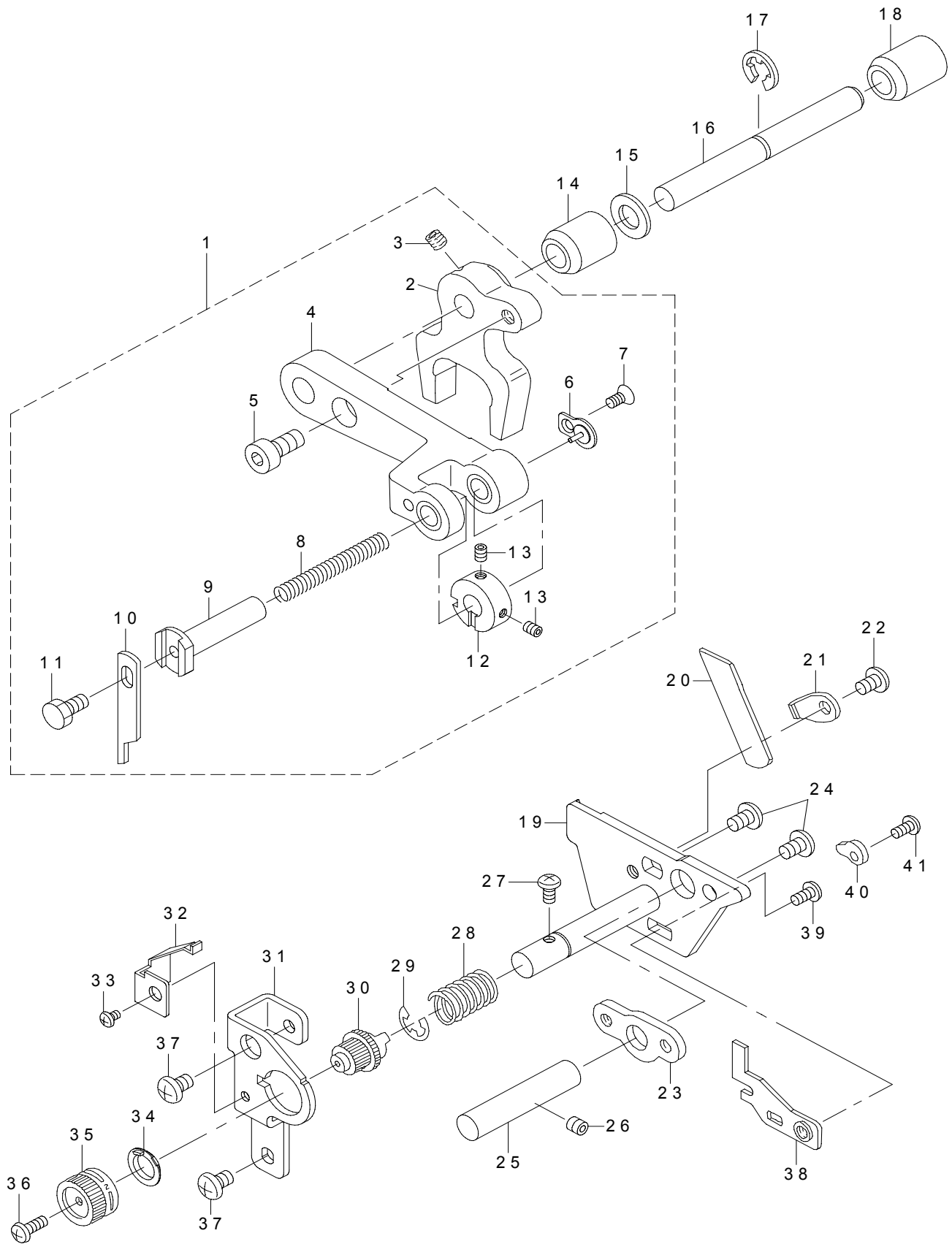
| REF.NO | NOTE | PART NO | DESCRIPTION | Qty |
|--------|------|-----------------|----------------------------------|-----|
| 1 | | 400-61961 | UPPER LOOPER CAM (ASM.) | 1 |
| 2 | | SM-8040402-TP | SCREW M4X0.7 L=4 | (2) |
| 3 | | A2501-534-000-A | UPPER LOOPER CAM | (1) |
| 4 | | SM-8040402-TP | SCREW M4X0.7 L=4 | (2) |
| 5 | | 400-79513 | LOWER LOOPER ROD (ASM.) | 1 |
| 6 | | SM-8040402-TP | SCREW M4X0.7 L=4 | (2) |
| 7 | | A2514-534-00C | LOWER LOOPER CAM | (1) |
| 8 | | SM-8050602-TP | SCREW M5 L=6 | (1) |
| 9 | | A2521-534-000 | LOOPER SHAFT | 2 |
| 10 | | WP-0820516-SP | WASHER 11.6X8.2X0.6 | 2 |
| 11 | | RE-0600000-K0 | E RING 6 | 2 |
| 12 | | A2522-776-0A0 | UPPER LOOPER THR. GUIDE (ASM.) | 1 |
| 13 | | A2510-334-000 | UPPER LOOPER OSC.ARM CONNCT | 1 |
| 14 | | SM-9050850-SP | SCREW | 1 |
| 15 | | SM-8040402-TP | SCREW M4X0.7 L=4 | 1 |
| 16 | | A2530-800-0A0 | UPPER LOOPER SLIDE SHAFT ASM. | 1 |
| 17 | | SM-8040402-TP | SCREW M4X0.7 L=4 | (1) |
| 18 | | A2512-776-000 | UPPER LOOPER | 1 |
| 19 | | A2529-335-000 | UPPER LOOPER ARM PIN | 1 |
| 20 | | A2561-777-000 | BUSHING | 4 |
| 21 | | A2531-534-000-A | UPPER LOOPER GUIDE SHAFT | 1 |
| 22 | | A2561-777-000 | BUSHING | 1 |
| 23 | #01 | A2519-534-0A0 | UPPER LOOPER THREAD TAKE-UP ASM. | 1 |
| 24 | | SM-4040655-SN | SCREW M4X0.7 L=6 | 1 |
| 25 | #02 | A2517-800-0A0 | LOWER LOOPER SUPP.ARM ASM. | 1 |
| 26 | | 400-67886 | LOWER_LOOPER_SUPPORT_ARM | (1) |
| 27 | | A2536-800-000-A | NEEDLE GUARD | (1) |
| 28 | | SM-5030655-SN | SCREW M3X0.5 L=6 | (1) |
| 29 | | A2526-335-00S | LOWER LOOPER | (1) |
| 30 | | SM-5030655-SN | SCREW M3X0.5 L=6 | (1) |
| 31 | | SM-8040602-TP | SCREW M4X0.7 L=6 | (2) |
| 32 | | A2520-534-0A0 | LOWER THREAD GUIDE | 1 |
| 33 | | SM-4040655-SN | SCREW M4X0.7 L=6 | 1 |
| 34 | #01 | A2517-80L-0A0 | LOWER LOOPER SUPP.ARM ASM. | 1 |
| 35 | | 400-67886 | LOWER_LOOPER_SUPPORT_ARM | (1) |
| 36 | | A2536-800-000-A | NEEDLE GUARD | (1) |
| 37 | | SM-5030655-SN | SCREW M3X0.5 L=6 | (1) |
| 38 | | A2526-335-00A | LOWER LOOPER | (1) |
| 39 | | SM-5030655-SN | SCREW M3X0.5 L=6 | (1) |
| 40 | | A2537-335-00S-A | SPRING | (1) |
| 41 | | SM-8040602-TP | SCREW M4X0.7 L=6 | (2) |
| 42 | | A2533-335-00S | LOWER LOOPER THR. GUIDE BASE | (1) |
| 43 | | A2520-654-0A0 | LOW.LOOPER THREAD TAKE-UP | (1) |
| 44 | | SM-5030655-SN | SCREW M3X0.5 L=6 | (2) |
| 45 | | A2539-335-00S | WASHER | (1) |
| 46 | | RE-0200000-K0 | E-RING 2 | (1) |
| 47 | | A2534-654-0B0-A | LOWER LOOPER THREAD GUIDE ARM | (1) |
| 48 | | A2532-335-00S | CONNECTING PIN | (1) |
| 49 | | A2531-335-00S | SCREW | (1) |
| 50 | | WP-0320501-SC | WASHER M3 | (1) |
| 51 | #02 | A2519-634-0A0 | UPPER LOOPER THREAD TAKE-UP ASM. | 1 |
| | | NOTE | #01....FOR MO-114D | |
| | | | #02....FOR MO-104D | |

9. THREAD TENSION COMPONENTS



| REF.NO | NOTE | PART NO | DESCRIPTION | Qty |
|--------|------|-----------------|---|-----|
| 1 | #01 | 401-66046 | FRONT_COVER_MO114D_ASM. | 1 |
| 2 | #02 | 401-66100 | FRONT_COVER_MO104D_ASM. | 1 |
| 3 | #01 | A3101-800-000-A | FRONT_COVER | (1) |
| 4 | #02 | A3101-70D-000-A | FRONT_COVER | (1) |
| 5 | | A3158-634-000 | FRONT COVER FIX PLATE (A) | (1) |
| 6 | | ST-5030851-SN | SCREW M5X8 | (1) |
| 7 | | A3106-800-000 | THREAD TENSION ADJUSTING KNOB BASE | (4) |
| 8 | | A3107-800-000 | THREAD TENSION BELT STOPPER | (4) |
| 9 | | A3105-800-000 | THREAD TENSION ADJUSTING KNOB | (4) |
| 10 | | A3119-110-000 | FRONT COVER INSTALL. HOLDER | (1) |
| 11 | | ST-5030851-SN | SCREW M5X8 | (2) |
| 12 | | A3181-324-000 | SEAL | (1) |
| 13 | | A3150-335-000 | BLUE SEAL | (1) |
| 14 | | A3115-800-0A0 | NEEDLE THREAD TAKE-UP GUIDE ASM. | (1) |
| 15 | | SL-5031031-SN | SCREW | (1) |
| 16 | | A3148-800-0B0 | THREAD TENSION SHAFT PLATE MAS.ASM. | (1) |
| 17 | | A3148-800-0A0 | THREAD TENSION SHAFT PLATE ASM. | (1) |
| 18 | | PS-0200122-KP | SPRING PIN TYPE W 2X12 | (1) |
| 19 | | A3910-634-000-B | THREAD TENSION DISC | (1) |
| 20 | | A3126-800-000 | THREAD TENSION DISC | (1) |
| 21 | | A3900-634-000 | SPRING HOLDER | (1) |
| 22 | #03 | A3903-634-000 | SPRING | (1) |
| 23 | #04 | A3902-634-000 | SPRING | (1) |
| 24 | #05 | A3906-634-000 | LOWER THREAD TENSION SPRING | (1) |
| 25 | | A3134-800-000 | THREAD TENSION ADJUSTING GEAR | (1) |
| 26 | | A3220-800-000 | FIXING PLATE | (1) |
| 27 | | SM-5030655-SN | SCREW M3X0.5 L=6 | (4) |
| 28 | | A3201-800-0A0 | THREAD TENSION ADJUSTING BASE ASM. | (1) |
| 29 | | ST-5030851-SN | SCREW M5X8 | (2) |
| 30 | | A3208-800-000 | SPRING | (1) |
| 31 | | A3206-800-000 | THREAD TENSION DRIVING GEAR | (1) |
| 32 | | A3210-800-000 | THREAD TENSION PULLEY | (1) |
| 33 | | RE-0300000-K0 | E-RING 3 | (1) |
| 34 | | A3122-800-000 | THREAD TENSION DRIBING BELT | (1) |
| 35 | | A3122-776-000 | INTERMEDIATE GEAR | (1) |
| 36 | | RE-0200000-K0 | E-RING 2 | (1) |
| 37 | | A3176-776-000 | 1ST THR.GUIDE COLLAR | (2) |
| 38 | | RE-0120000-K0 | E-RING | (1) |
| 39 | | RE-0400000-K0 | E-RING 4 | (2) |
| 40 | | A3211-800-000 | IDLER PULLEY | (1) |
| 41 | | WP-0531001-SC | WASHER M5 | (1) |
| 42 | | A3215-800-0A0 | IDLER BRACKET ASM. | (1) |
| 43 | | ST-5030851-SN | SCREW M5X8 | (2) |
| 44 | | A3211-800-000 | IDLER PULLEY | (1) |
| 45 | | WP-0531001-SC | WASHER M5 | (1) |
| 46 | | RE-0400000-K0 | E-RING 4 | (1) |
| 47 | | SL-5040835-SN | SCREW | 2 |
| 48 | | SL-5030831-SF | SCREW M3 L=8 | 1 |
| 49 | #01 | A1190-80L-000 | THREADING CHART | 1 |
| 50 | #02 | A1190-800-000 | THREADING CHART | 1 |
| | | NOTE | #01...FOR MO-114D #02...FOR MO-104D #03...FOR LN #04...FOR RN/UL #05...FOR LL | |

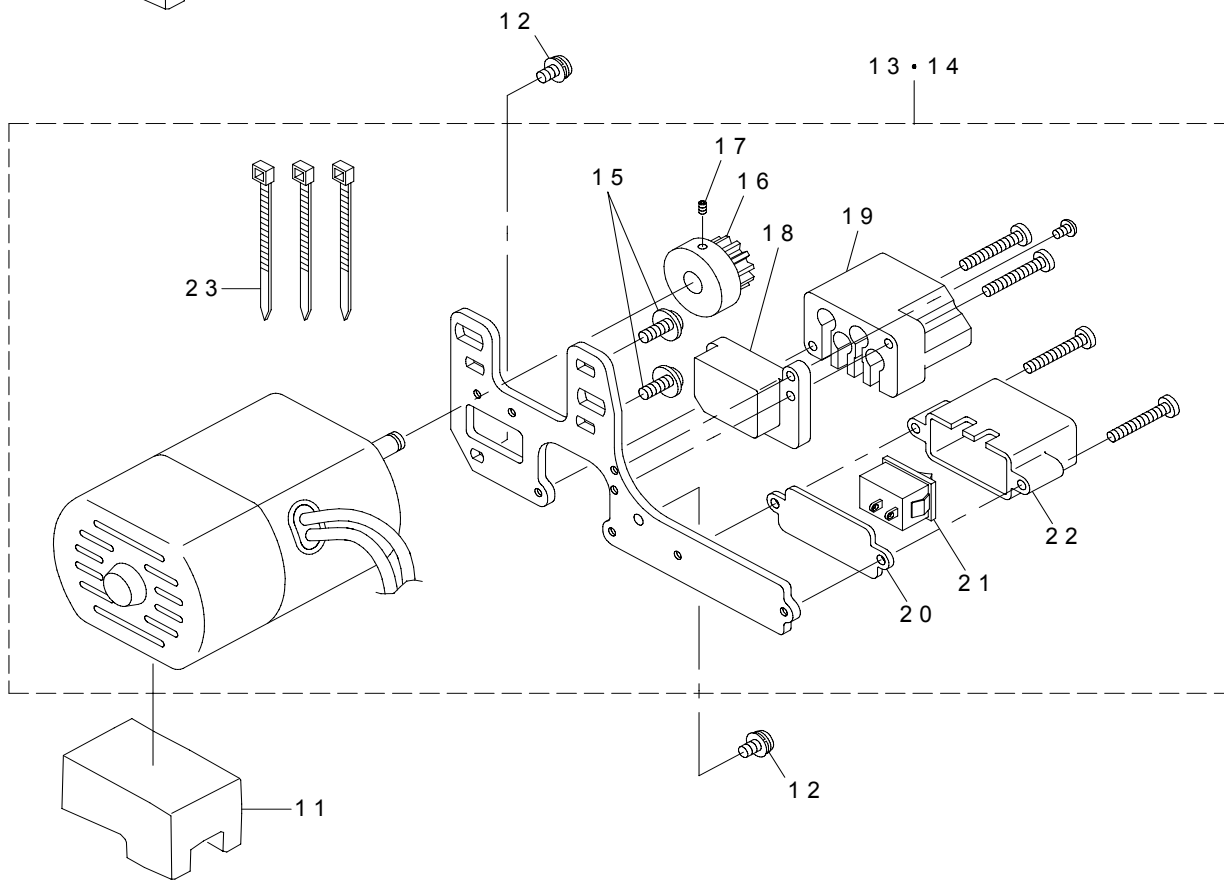
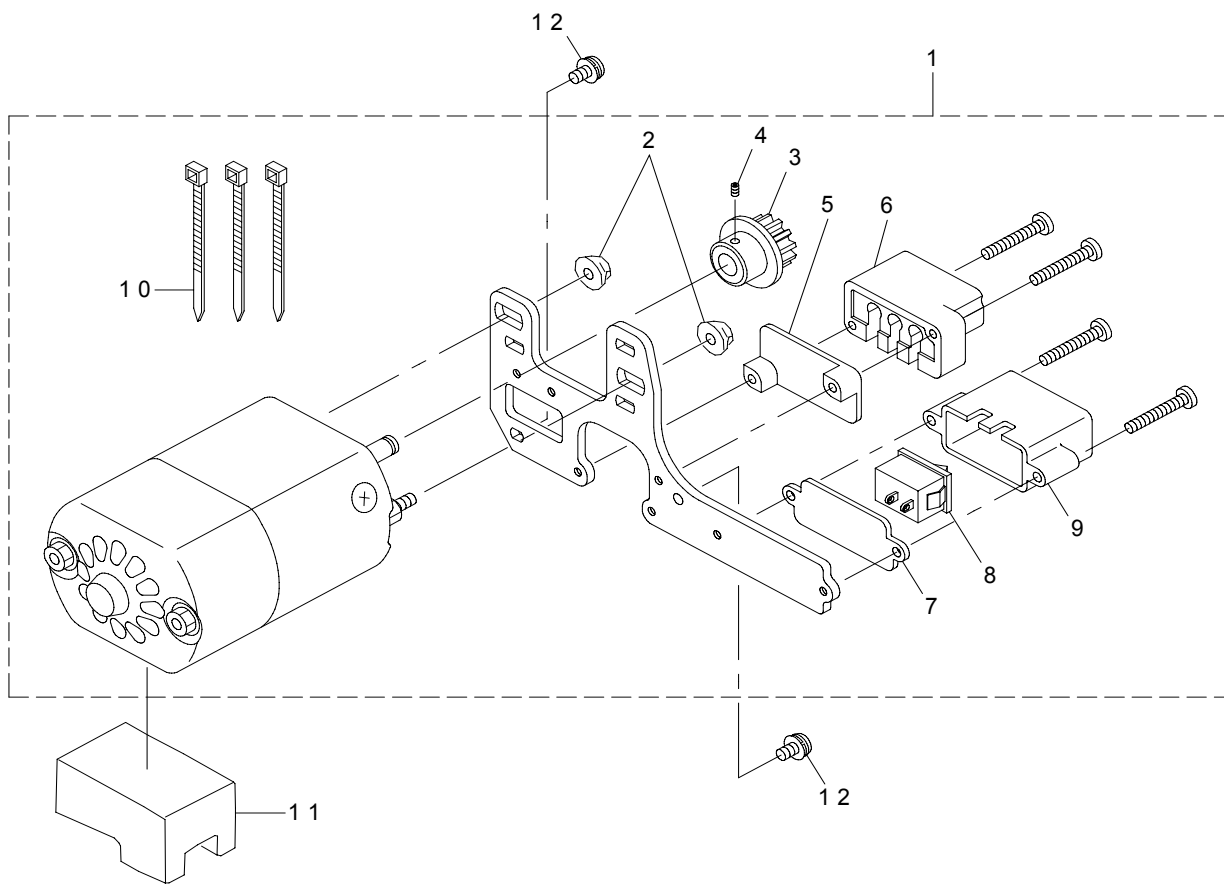
10. KNIFE DRIVE COMPONENTS



| REF.NO | NOTE | PART NO | DESCRIPTION | Qty |
|--------|------|-----------------|------------------------------------|-----|
| 1 | | A4101-800-0A0 | UPPER KNIFE DRIVING ARM ASM. | 1 |
| 2 | | 400-72483 | UPPER_KNIFE_DRIVING_ARM | (1) |
| 3 | | SM-8040402-TP | SCREW M4X0.7 L=4 | (1) |
| 4 | | A4101-503-000-C | UPPER KNIFE ROCKING ARM | (1) |
| 5 | | SM-6051002-TP | SCREW M5X0.8 L=10 | (1) |
| 6 | | A4107-502-0A0 | KNIFE SPRING SUPPORTING PLATE ASM. | (1) |
| 7 | | SM-1030601-SP | SCREW M3 L=6 | (1) |
| 8 | | A4106-535-000 | KNIFE PRESSER SPRING | (1) |
| 9 | | A4103-535-000 | UPPER KNIFE HOLDER | (1) |
| 10 | | A4142-335-000 | UPPER KNIFE HOLDER SHAFT ASM. | (1) |
| 11 | | SM-9040803-SD | BOLT M4X0.7 L=8 | (1) |
| 12 | | A4105-776-000-A | UPPER KNIFE TURNING KNOB | (1) |
| 13 | | SM-8030402-TP | SCREW M3X0.5 L=4 | (2) |
| 14 | | A2112-204-000 | SUB FEED ADJUSTING METAL | 1 |
| 15 | | WP-0820516-SP | WASHER 11.6X8.2X0.6 | 1 |
| 16 | | A4108-535-000 | UPPER KNIFE SHAFT | 1 |
| 17 | | RE-0600000-K0 | E-RING 6 | 1 |
| 18 | | A2561-777-000 | BUSHING | 1 |
| 19 | | A4121-535-00C | LOWER KNIFE HOLDER | 1 |
| 20 | | A4145-335-000 | LOWER KNIFE | 1 |
| 21 | | A4123-335-000 | LOWER KNIFE PRESSER PLATE | 1 |
| 22 | | SM-4040655-SP | SCREW M4 L=6 | 1 |
| 23 | | A4139-655-000 | LOWER KNIFE FOLDER | 1 |
| 24 | | SM-4040655-SP | SCREW M4 L=6 | 2 |
| 25 | | A4125-502-000 | LOWER KNIFE HOLDER SHAFT | 1 |
| 26 | | SM-8040402-TP | SCREW M4X0.7 L=4 | 1 |
| 27 | | SM-4030601-SN | SCREW M3X6 | 1 |
| 28 | | A4136-335-000 | LOWER KNIFE HOLDER SPRING | 1 |
| 29 | | RE-0500000-K0 | E-RING | 1 |
| 30 | | A4128-535-000 | LOWER KNIFE ADJ.CAM | 1 |
| 31 | | 400-61998 | LOWER KNIFE ADJ. SUPPORT | 1 |
| 32 | | A4140-535-000 | L KNIFE ADJ CAM PRESSER SPRING | 1 |
| 33 | | SM-4030455-SP | SCREW | 1 |
| 34 | | A4132-535-000 | LOWER KNIFE ADJUSTING BASE | 1 |
| 35 | | A4130-654-000-A | LOWER KNIFE ADJ.KNOB | 1 |
| 36 | | ST-5030851-SN | SCREW M5X8 | 1 |
| 37 | | SM-4040655-SN | SCREW M4X0.7 L=6 | 2 |
| 38 | | A4147-324-000 | CLOTH WASTE COVER STOPPER | 1 |
| 39 | | SM-4030601-SN | SCREW M3X6 | 1 |
| 40 | | A4124-335-000 | LOWER KNIFE SUPPORTING PLATE | 1 |
| 41 | | SM-4030655-SP | SCREW | 1 |

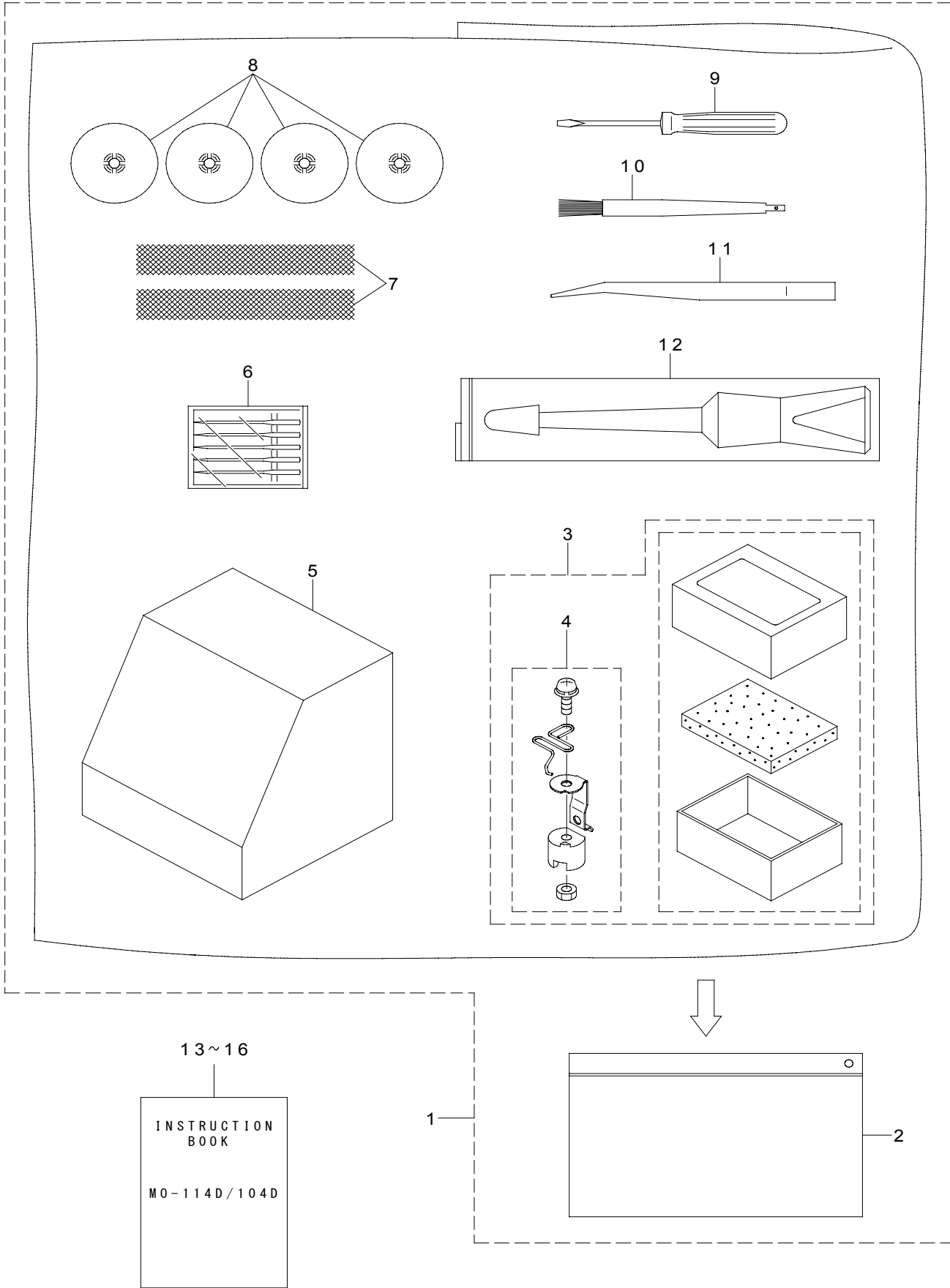
| REF.NO | NOTE | PART NO | DESCRIPTION | Qty |
|--------|------|-----------------|----------------------|-----|
| 1 | #01 | A6006-800-0AA-A | LAMP HOLDER ASM. | 1 |
| 2 | #02 | A6006-800-0AB-B | LAMP HOLDER ASM. | 1 |
| 3 | #01 | A6013-800-A00-A | LAMP | (1) |
| 4 | #02 | A6013-800-B00-A | LAMP | (1) |
| 5 | | A6007-634-000 | LAMP INSTALLING BASE | 1 |
| 6 | | A3811-550-000 | CORD HOLDER | 2 |
| 7 | | SM-4040655-SN | SCREW M4X0.7 L=6 | 2 |
| 8 | | SM-4040655-SN | SCREW M4X0.7 L=6 | 1 |
| 9 | | SM-5030555-SC | SCREW | 2 |
| 10 | | EA-9500B02-00 | CABLE BAND 150 | 1 |
| 11 | #03 | A6401-110-00C-B | CONTROLLER ASM. | 1 |
| 12 | #04 | A6401-64D-0AE-A | CONTROLLER ASM. | 1 |
| 13 | #05 | A6401-644-0AA-B | CONTROLLER ASM. | 1 |
| 14 | #01 | A6401-634-DA0-C | CONTROLLER ASM. | 1 |
| | | NOTE | #01....FOR UL | |
| | | | #02....FOR CE/BS/CH | |
| | | | #03....FOR BS | |
| | | | #04....FOR CH | |
| | | | #05....FOR CE | |

12. MOTOR COMPONENTS



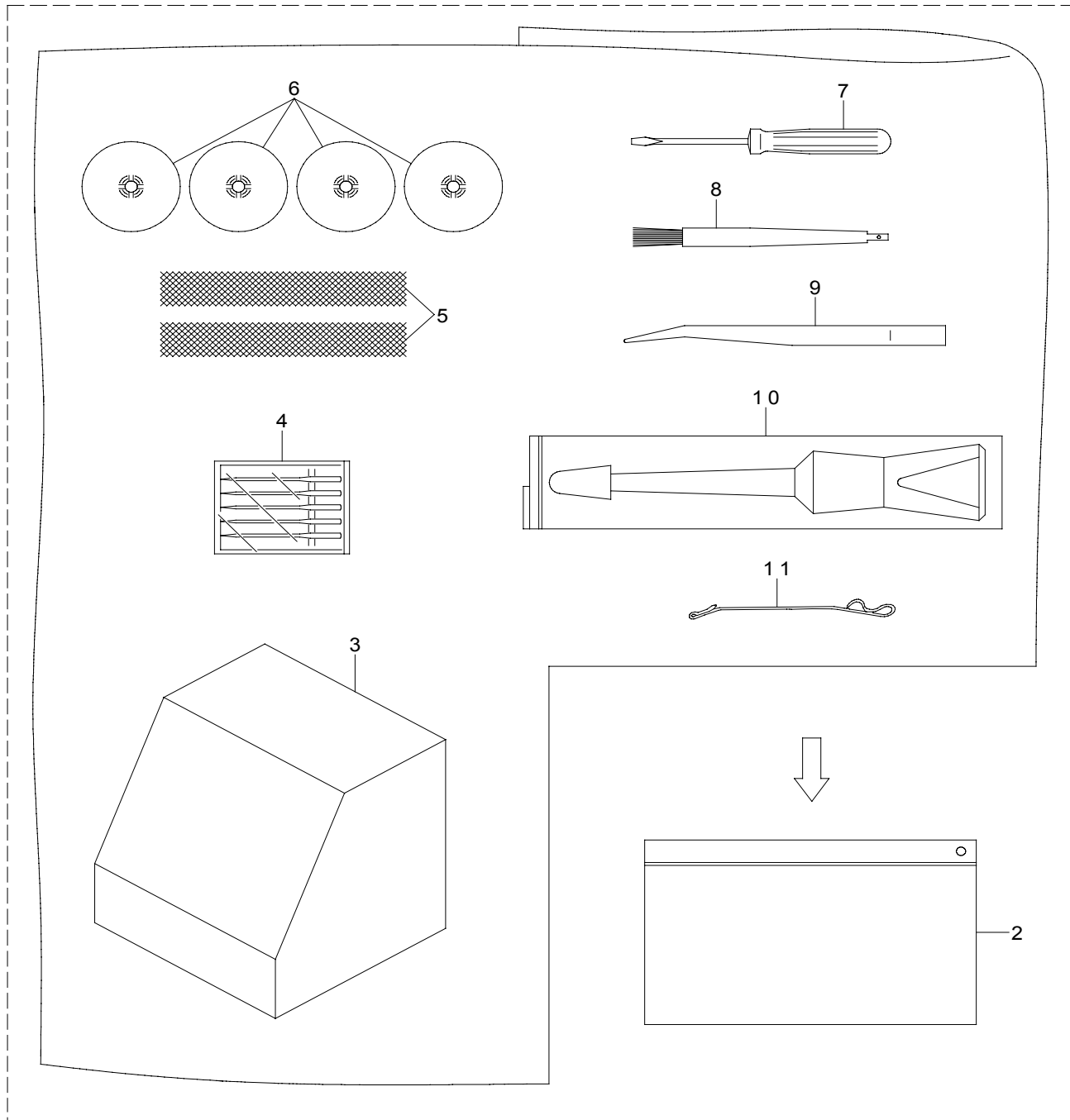
| REF.NO | NOTE | PART NO | DESCRIPTION | Qty |
|--------|------|-----------------|--|-----|
| 1 | #01 | A6301-800-0B0 | MOTOR ASM. | 1 |
| 2 | | NM-3040550-SC | NUT | (2) |
| 3 | | A6010-634-000-A | MOTOR PULLEY | (1) |
| 4 | | SM-8040602-TP | SCREW M4X0.7 L=6 | (1) |
| 5 | | A6009-535-000 | FITTING BASE | (1) |
| 6 | | A6001-102-U00-A | TERMINAL NO.32-UC | (1) |
| 7 | | A6016-524-000 | SWITCH COVER B | (1) |
| 8 | | A6003-64D-000 | POWER SWITCH | (1) |
| 9 | | A6015-524-000 | SWITCH COVER A | (1) |
| 10 | | A4078-550-00B | BAND | (3) |
| 11 | | A6003-535-000-A | MOTOR PROTECTOR | 1 |
| 12 | | SL-4040855-SN | SCREW M4 L=8 | 2 |
| 13 | #02 | A6318-000-BBA | MOTOR_ASM. | 1 |
| 14 | #03 | 401-66050 | MOTOR_ASM._CH | 1 |
| 15 | | A6004-110-000 | SCREW | (2) |
| 16 | | A6010-634-00A | MOTOR PULLEY ASM. | (1) |
| 17 | | SM-8040602-TP | SCREW M4X0.7 L=6 | (1) |
| 18 | | A6005-110-000 | CONDENSER COVER | (1) |
| 19 | | A6001-102-G00 | PRESSURE TERMINAL CONNECTOR | (1) |
| 20 | | A6016-524-000 | SWITCH COVER B | (1) |
| 21 | | A6003-64D-000 | POWER SWITCH | (1) |
| 22 | | A6015-524-000 | SWITCH COVER A | (1) |
| 23 | | A4078-550-00B | BAND | 1 |
| | | NOTE | #01....FOR UL #02....FOR CE/BS #03....FOR CH | |

13. ACCESSORIES COMPONENTS (FOR MO-114D)



| REF.NO | NOTE | PART NO | DESCRIPTION | Qty |
|--------|------|-----------------|--------------------------------|-----|
| 1 | | 401-66058 | ACCESSORY_BAG_MO114D_ASM. | 1 |
| 2 | | B9101-552-000 | ACCESSORY BOX | (1) |
| 3 | | A9133-800-0A0 | 2/3-THREAD CONVERTER MAS. ASM. | (1) |
| 4 | | A9130-777-0A0 | 2/3THR.CONVERTER ASM. | (1) |
| 5 | | A9102-800-000 | VINYL COVER | (1) |
| 6 | | 401-67415 | NEEDLE_ASM. | (1) |
| 7 | | A9116-335-000 | PLASTIC NET | (2) |
| 8 | | A9106-776-000-B | THREAD SPOOL CAP | (4) |
| 9 | | A9110-776-000 | SMALL SCREWDRIVER(-) | (1) |
| 10 | | 400-65952 | NEEDLE_INSERTER_TOOL/BRUSH | (1) |
| 11 | | A9109-202-000 | TWEEZERS | (1) |
| 12 | | A9104-102-0A0 | OILER WITH OIL ASM | (1) |
| 13 | #01 | 401-66074 | IM_MO114D_104D_EG.ES.FR | 1 |
| 14 | #02 | 401-66075 | IM_MO114D_104D_EG | 1 |
| 15 | #03 | 401-66076 | IM_MO114D_104D_IT | 1 |
| 16 | #04 | 401-66077 | IM_MO114D_104D_EG.CH | 1 |
| | | NOTE | #01....FOR UL | |
| | | | #02....FOR BS/CE | |
| | | | #03....CE | |
| | | | #04....CH | |

14. ACCESSORIES COMPONENTS (FOR MO-104D)



12~15
INSTRUCTION
BOOK
MO-114D/104D

| REF.NO | NOTE | PART NO | DESCRIPTION | Qty |
|--------|------|-----------------|----------------------------|-----|
| 1 | | 401-66103 | ACCESSORY_BAG_MO104D_ASM. | 1 |
| 2 | | B9101-552-000 | ACCESSORY BOX | (1) |
| 3 | | A9102-800-000 | VINYL COVER | (1) |
| 4 | | 401-67415 | NEEDLE_ASM | (1) |
| 5 | | A9116-335-000 | PLASTIC NET | (2) |
| 6 | | A9106-776-000-B | THREAD SPOOL CAP | (4) |
| 7 | | A9110-776-000 | SMALL SCREWDRIVER(-) | (1) |
| 8 | | 400-65952 | NEEDLE_INSERTER_TOOL/BRUSH | (1) |
| 9 | | A9109-202-000 | TWEEZERS | (1) |
| 10 | | A9104-102-0A0 | OILER WITH OIL ASM | (1) |
| 11 | | A9110-335-000 | LOOPER THREADER | (1) |
| 12 | #01 | 401-66074 | IM_MO114D_104D_EG.ES.FR | 1 |
| 13 | #02 | 401-66075 | IM_MO114D_104D_EG | 1 |
| 14 | #03 | 401-66076 | IM_MO114D_104D_IT | 1 |
| 15 | #04 | 401-66077 | IM_MO114D_104D_EG.CH | 1 |
| | | NOTE | #01....FOR UL | |
| | | | #02....FOR BS/CE | |
| | | | #03....CE | |
| | | | #04....CH | |

NUMERICAL INDEX OF PARTS

| PART NO | PAGE | REF NO | PART NO | PAGE | REF NO | PART NO | PAGE | REF NO | PART NO | PAGE | REF NO |
|-----------------|------|--------|-----------------|------|--------|-----------------|------|--------|-----------------|------|--------|
| A1102-113-0A0 | 2 | 24 | A1610-655-000 | 12 | 5 | A2514-534-00C | 16 | 7 | A4124-335-000 | 20 | 40 |
| A1104-64D-000-B | 4 | 27 | A1611-655-000 | 12 | 3 | A2517-80L-0A0 | 16 | 34 | A4125-502-000 | 20 | 25 |
| A1104-644-A00-A | 4 | 33 | A1612-535-000 | 12 | 76 | A2517-800-0A0 | 16 | 25 | A4128-535-000 | 20 | 30 |
| A1104-644-000-B | 4 | 26 | A1613-535-000 | 12 | 78 | A2519-534-0A0 | 16 | 23 | A4130-654-000-A | 20 | 35 |
| A1106-14D-0A0 | 4 | 10 | A1613-655-000 | 12 | 9 | A2519-634-0A0 | 16 | 51 | A4132-535-000 | 20 | 34 |
| A1106-14D-000 | 4 | 12 | A1614-534-D00 | 12 | 27 | A2520-534-0A0 | 16 | 32 | A4136-335-000 | 20 | 28 |
| A1115-110-0A0 | 2 | 2 | A1616-030-Z00 | 12 | 34 | A2520-654-0A0 | 16 | 43 | A4139-655-000 | 20 | 23 |
| A1115-110-0B0-A | 2 | 1 | A1616-534-D00 | 12 | 64 | A2521-534-000 | 16 | 9 | A4140-535-000 | 20 | 32 |
| A1118-776-000-B | 4 | 8 | A1616-535-000 | 14 | 38 | A2522-776-0A0 | 16 | 12 | A4142-335-000 | 20 | 10 |
| A1120-202-000 | 4 | 7 | A1616-880-0A0 | 14 | 2 | A2526-335-00A | 16 | 38 | A4145-335-000 | 20 | 20 |
| A1120-776-0A0-B | 4 | 1 | A1616-880-0A0 | 14 | 46 | A2526-335-00S | 16 | 29 | A4147-324-000 | 20 | 38 |
| A1121-110-0A0 | 4 | 5 | A1616-880-000 | 14 | 3 | A2529-335-000 | 12 | 84 | A6001-102-G00 | 24 | 19 |
| A1121-776-000 | 4 | 6 | A1617-534-D00-A | 12 | 72 | A2529-335-000 | 16 | 19 | A6001-102-U00-A | 24 | 6 |
| A1129-776-000-B | 4 | 3 | A1617-534-000-A | 14 | 40 | A2530-800-0A0 | 16 | 16 | A6003-535-000-A | 24 | 11 |
| A1131-203-000 | 2 | 4 | A1618-534-D0A | 12 | 75 | A2531-335-00S | 16 | 49 | A6003-64D-000 | 24 | 8 |
| A1132-334-000 | 2 | 5 | A1618-534-D00 | 12 | 74 | A2531-534-000-A | 16 | 21 | A6003-64D-000 | 24 | 21 |
| A1135-535-000 | 2 | 12 | A1619-655-0A0 | 12 | 11 | A2532-335-00S | 16 | 48 | A6004-110-000 | 24 | 15 |
| A1136-314-DA0-A | 2 | 3 | A1620-335-000 | 14 | 31 | A2533-335-00S | 16 | 42 | A6005-110-000 | 24 | 18 |
| A1138-335-000 | 2 | 7 | A1620-534-DA0 | 12 | 26 | A2534-654-0B0-A | 16 | 47 | A6006-800-OAA-A | 22 | 1 |
| A1140-800-0A0 | 2 | 10 | A1622-535-000 | 14 | 26 | A2536-800-000-A | 16 | 27 | A6006-800-OAB-B | 22 | 2 |
| A1140-800-0A0 | 10 | 1 | A1623-535-0A0 | 14 | 29 | A2536-800-000-A | 16 | 36 | A6007-634-000 | 22 | 5 |
| A1145-800-000 | 2 | 8 | A1625-800-000 | 12 | 50 | A2537-335-00S-A | 16 | 40 | A6009-535-000 | 24 | 5 |
| A1151-14D-0A0 | 2 | 19 | A1626-535-000-A | 14 | 25 | A2539-335-00S | 16 | 45 | A6010-634-00A | 24 | 16 |
| A1153-800-0A0 | 2 | 20 | A1627-634-D00 | 12 | 52 | A2561-777-000 | 16 | 20 | A6010-634-000-A | 24 | 3 |
| A1156-644-000 | 2 | 27 | A1628-535-000-A | 14 | 33 | A2561-777-000 | 16 | 22 | A6013-800-A00-A | 22 | 3 |
| A1156-654-000-A | 2 | 17 | A1630-534-D00 | 12 | 13 | A2561-777-000 | 20 | 18 | A6013-800-B00-A | 22 | 4 |
| A1160-634-000 | 4 | 31 | A1630-535-000 | 12 | 71 | A3101-70D-000-A | 18 | 4 | A6015-524-000 | 24 | 9 |
| A1161-535-0A0 | 4 | 28 | A1631-535-000 | 14 | 22 | A3101-800-000-A | 18 | 3 | A6015-524-000 | 24 | 22 |
| A1164-535-000 | 2 | 15 | A1633-534-D00 | 12 | 19 | A3105-800-000 | 18 | 9 | A6016-524-000 | 24 | 7 |
| A1190-80L-000 | 18 | 49 | A1634-535-000 | 14 | 18 | A3106-800-000 | 18 | 7 | A6016-524-000 | 24 | 20 |
| A1190-800-000 | 18 | 50 | A1634-655-000-A | 12 | 16 | A3107-776-000-A | 4 | 18 | A6018-800-000 | 4 | 21 |
| A1202-113-000 | 6 | 6 | A1635-534-D00 | 12 | 20 | A3107-800-000 | 18 | 8 | A6301-800-0B0 | 24 | 1 |
| A1205-634-000 | 6 | 9 | A1635-535-000 | 14 | 43 | A3115-800-0A0 | 18 | 14 | A6318-000-BBA | 24 | 13 |
| A1206-102-000 | 6 | 5 | A1636-535-000-A | 14 | 17 | A3119-110-000 | 18 | 10 | A6401-110-00C-B | 22 | 11 |
| A1206-202-000 | 6 | 4 | A1637-52D-000 | 14 | 20 | A3121-800-A00 | 4 | 25 | A6401-634-DA0-C | 22 | 14 |
| A1206-335-000 | 6 | 1 | A1637-534-DA0 | 12 | 24 | A3121-800-000 | 4 | 24 | A6401-64D-OAE-A | 22 | 12 |
| A1206-535-000 | 6 | 7 | A1637-534-DA0 | 12 | 61 | A3122-776-000 | 18 | 35 | A6401-644-OAA-B | 22 | 13 |
| A1208-700-000 | 10 | 10 | A1637-535-000 | 14 | 42 | A3122-800-000 | 18 | 34 | A9102-800-000 | 26 | 5 |
| A1230-500-000-A | 6 | 8 | A1638-776-000 | 12 | 63 | A3126-800-000 | 18 | 20 | A9102-800-000 | 28 | 3 |
| A1401-535-000-A | 8 | 7 | A1638-776-000 | 14 | 7 | A3134-800-000 | 18 | 25 | A9104-102-0A0 | 26 | 12 |
| A1402-535-000 | 8 | 5 | A1639-534-D00 | 12 | 67 | A3148-800-0A0 | 18 | 17 | A9104-102-0A0 | 28 | 10 |
| A1403-102-000 | 8 | 9 | A1639-800-000 | 12 | 55 | A3148-800-0B0 | 18 | 16 | A9106-776-000-B | 26 | 8 |
| A1403-102-000 | 8 | 17 | A1640-534-D00 | 12 | 65 | A3150-335-000 | 18 | 13 | A9106-776-000-B | 28 | 6 |
| A1403-335-000-A | 8 | 6 | A1641-534-D00 | 12 | 92 | A3158-634-000 | 18 | 5 | A9109-202-000 | 26 | 11 |
| A1404-535-000 | 8 | 1 | A1645-534-D00 | 12 | 86 | A3171-800-000 | 4 | 15 | A9109-202-000 | 28 | 9 |
| A1406-534-0A0 | 8 | 21 | A1646-534-D00 | 12 | 87 | A3176-776-000 | 4 | 16 | A9110-335-000 | 28 | 11 |
| A1407-102-000 | 8 | 15 | A1647-534-D00 | 12 | 89 | A3176-776-000 | 18 | 37 | A9110-776-000 | 26 | 9 |
| A1407-102-000 | 8 | 20 | A1648-535-000 | 12 | 57 | A3181-324-000 | 18 | 12 | A9110-776-000 | 28 | 7 |
| A1409-534-000 | 8 | 22 | A1648-800-000 | 12 | 59 | A3185-113-000 | 4 | 20 | A9116-335-000 | 26 | 7 |
| A1411-335-000 | 8 | 14 | A1650-534-D00 | 12 | 85 | A3201-800-0A0 | 18 | 28 | A9116-335-000 | 28 | 5 |
| A1412-534-000 | 8 | 18 | A1650-534-000 | 14 | 37 | A3206-800-000 | 18 | 31 | A9130-777-0A0 | 26 | 4 |
| A1412-535-000 | 8 | 13 | A1651-52D-000 | 14 | 5 | A3208-800-000 | 18 | 30 | A9133-800-0A0 | 26 | 3 |
| A1414-502-0A0 | 8 | 3 | A1651-534-DA0 | 12 | 80 | A3210-800-000 | 18 | 32 | A9196-524-000 | 2 | 14 |
| A1416-777-000 | 8 | 24 | A1651-535-000 | 14 | 39 | A3211-800-000 | 18 | 40 | A9196-524-000 | 2 | 23 |
| A1501-535-000 | 8 | 26 | A1652-535-000 | 14 | 35 | A3211-800-000 | 18 | 44 | | | |
| A1501-800-0A0 | 8 | 40 | A1653-776-000 | 12 | 42 | A3215-800-0A0 | 18 | 42 | B9101-552-000 | 26 | 2 |
| A1501-800-0C0-A | 8 | 39 | A1654-776-000-A | 12 | 47 | A3220-800-000 | 18 | 26 | B9101-552-000 | 28 | 2 |
| A1502-535-000 | 8 | 27 | A1655-534-D00 | 12 | 28 | A3303-800-000 | 4 | 14 | | | |
| A1503-634-000 | 8 | 25 | A1657-534-DA0 | 12 | 43 | A3811-550-000 | 22 | 6 | EA-9500B02-00 | 22 | 10 |
| A1504-9DC-0A0-A | 8 | 31 | A1660-534-D00-A | 12 | 33 | A3900-634-000 | 18 | 21 | | | |
| A1506-9DC-000-A | 8 | 37 | A1660-800-000 | 12 | 41 | A3902-634-000 | 18 | 23 | NM-3040550-SC | 24 | 2 |
| A1507-535-000 | 8 | 29 | A1661-800-0A0 | 12 | 38 | A3903-634-000 | 18 | 22 | | | |
| A1514-800-0B0-A | 8 | 41 | A1662-655-000-A | 12 | 31 | A3906-634-000 | 18 | 24 | PS-0200122-KP | 18 | 18 |
| A1569-9DC-000 | 8 | 33 | A1663-534-D00 | 12 | 48 | A3910-634-000-B | 18 | 19 | PS-0400222-KP | 6 | 3 |
| A1572-9DC-000 | 8 | 34 | A1664-534-D00 | 12 | 36 | A4078-550-00B | 24 | 10 | | | |
| A1573-800-000 | 10 | 5 | A1665-534-D00 | 12 | 82 | A4078-550-00B | 24 | 23 | RE-0120000-K0 | 18 | 38 |
| A1573-9DC-0A0 | 8 | 32 | A1670-52D-000 | 14 | 23 | A4101-503-000-C | 20 | 4 | RE-0200000-K0 | 16 | 46 |
| A1573-9DC-0A0 | 10 | 7 | A1673-52D-000 | 14 | 16 | A4101-800-0A0 | 20 | 1 | RE-0200000-K0 | 18 | 36 |
| A1574-110-000 | 10 | 2 | A1674-52D-000 | 14 | 1 | A4103-535-000 | 20 | 9 | RE-0300000-K0 | 10 | 9 |
| A1574-800-000 | 10 | 6 | A1675-52D-0A0 | 14 | 11 | A4105-776-000-A | 20 | 12 | RE-0300000-K0 | 12 | 15 |
| A1577-110-000 | 10 | 4 | A1676-52D-000 | 14 | 12 | A4106-535-000 | 20 | 8 | RE-0300000-K0 | 12 | 29 |
| A1577-110-000 | 10 | 8 | A2112-204-000 | 20 | 14 | A4107-502-0A0 | 20 | 6 | RE-0300000-K0 | 12 | 45 |
| A1601-800-000 | 12 | 1 | A2501-534-000-A | 16 | 3 | A4108-535-000 | 20 | 16 | RE-0300000-K0 | 12 | 54 |
| A1602-64D-000-A | 14 | 13 | A2510-334-000 | 16 | 13 | A4121-535-00C | 20 | 19 | RE-0300000-K0 | 12 | 83 |
| A1602-800-000 | 12 | 2 | A2512-776-000 | 16 | 18 | A4123-335-000 | 20 | 21 | RE-0300000-K0 | 14 | 44 |

NUMERICAL INDEX OF PARTS

| PART NO | PAGE | REF NO | PART NO | PAGE | REF NO | PART NO | PAGE | REF NO | PART NO | PAGE | REF NO |
|---------------|------|--------|---------------|------|--------|-----------|------|--------|---------|------|--------|
| RE-0300000-K0 | 18 | 33 | SM-5041055-SN | 12 | 23 | 400-65952 | 26 | 10 | | | |
| RE-0400000-K0 | 8 | 35 | SM-5051255-SN | 2 | 25 | 400-65952 | 28 | 8 | | | |
| RE-0400000-K0 | 12 | 8 | SM-5051255-SN | 4 | 4 | 400-67886 | 16 | 26 | | | |
| RE-0400000-K0 | 12 | 25 | SM-6051002-TP | 20 | 5 | 400-67886 | 16 | 35 | | | |
| RE-0400000-K0 | 12 | 32 | SM-8030302-TP | 12 | 56 | 400-71772 | 6 | 2 | | | |
| RE-0400000-K0 | 12 | 68 | SM-8030302-TP | 14 | 4 | 400-72483 | 20 | 2 | | | |
| RE-0400000-K0 | 18 | 39 | SM-8030302-TP | 14 | 6 | 400-79513 | 16 | 5 | | | |
| RE-0400000-K0 | 18 | 46 | SM-8030302-TP | 14 | 8 | 400-82787 | 4 | 2 | | | |
| RE-0500000-K0 | 8 | 38 | SM-8030302-TP | 14 | 45 | 401-43792 | 4 | 17 | | | |
| RE-0500000-K0 | 10 | 3 | SM-8030402-TP | 12 | 62 | 401-66046 | 18 | 1 | | | |
| RE-0500000-K0 | 12 | 4 | SM-8030402-TP | 12 | 66 | 401-66050 | 24 | 14 | | | |
| RE-0500000-K0 | 12 | 21 | SM-8030402-TP | 12 | 81 | 401-66058 | 26 | 1 | | | |
| RE-0500000-K0 | 12 | 40 | SM-8030402-TP | 20 | 13 | 401-66074 | 26 | 13 | | | |
| RE-0500000-K0 | 12 | 46 | SM-8040302-TP | 14 | 30 | 401-66074 | 28 | 12 | | | |
| RE-0500000-K0 | 12 | 51 | SM-8040402-TP | 8 | 2 | 401-66075 | 26 | 14 | | | |
| RE-0500000-K0 | 12 | 91 | SM-8040402-TP | 8 | 4 | 401-66075 | 28 | 13 | | | |
| RE-0500000-K0 | 14 | 19 | SM-8040402-TP | 8 | 10 | 401-66076 | 26 | 15 | | | |
| RE-0500000-K0 | 14 | 24 | SM-8040402-TP | 12 | 49 | 401-66076 | 28 | 14 | | | |
| RE-0500000-K0 | 14 | 28 | SM-8040402-TP | 12 | 77 | 401-66077 | 26 | 16 | | | |
| RE-0500000-K0 | 20 | 29 | SM-8040402-TP | 12 | 88 | 401-66077 | 28 | 15 | | | |
| RE-0600000-K0 | 8 | 12 | SM-8040402-TP | 12 | 90 | 401-66097 | 2 | 26 | | | |
| RE-0600000-K0 | 16 | 11 | SM-8040402-TP | 14 | 21 | 401-66100 | 18 | 2 | | | |
| RE-0600000-K0 | 20 | 17 | SM-8040402-TP | 14 | 27 | 401-66103 | 28 | 1 | | | |
| RE-0900000-K0 | 12 | 69 | SM-8040402-TP | 14 | 32 | 401-67415 | 26 | 6 | | | |
| RE-0900000-K0 | 14 | 47 | SM-8040402-TP | 16 | 2 | 401-67415 | 28 | 4 | | | |
| | | | SM-8040402-TP | 16 | 4 | 401-67418 | 4 | 13 | | | |
| SL-4040855-SN | 4 | 30 | SM-8040402-TP | 16 | 6 | 401-67421 | 4 | 11 | | | |
| SL-4040855-SN | 24 | 12 | SM-8040402-TP | 16 | 15 | | | | | | |
| SL-5030631-SF | 4 | 23 | SM-8040402-TP | 16 | 17 | | | | | | |
| SL-5030831-SF | 4 | 22 | SM-8040402-TP | 20 | 3 | | | | | | |
| SL-5030831-SF | 18 | 48 | SM-8040402-TP | 20 | 26 | | | | | | |
| SL-5031031-SN | 18 | 15 | SM-8040602-TP | 12 | 73 | | | | | | |
| SL-5040835-SN | 18 | 47 | SM-8040602-TP | 14 | 41 | | | | | | |
| SM-1030601-SP | 20 | 7 | SM-8040602-TP | 16 | 31 | | | | | | |
| SM-4020351-SC | 2 | 6 | SM-8040602-TP | 16 | 41 | | | | | | |
| SM-4030455-SN | 8 | 23 | SM-8040602-TP | 24 | 4 | | | | | | |
| SM-4030455-SP | 20 | 33 | SM-8040602-TP | 24 | 17 | | | | | | |
| SM-4030601-SN | 20 | 27 | SM-8050402-TP | 8 | 28 | | | | | | |
| SM-4030601-SN | 20 | 39 | SM-8050602-TP | 2 | 11 | | | | | | |
| SM-4030655-SP | 12 | 37 | SM-8050602-TP | 16 | 8 | | | | | | |
| SM-4030655-SP | 12 | 53 | SM-8050612-TP | 8 | 8 | | | | | | |
| SM-4030655-SP | 12 | 60 | SM-8060602-TP | 8 | 16 | | | | | | |
| SM-4030655-SP | 20 | 41 | SM-9040700-SP | 12 | 58 | | | | | | |
| SM-4040655-SN | 8 | 19 | SM-9040803-SD | 20 | 11 | | | | | | |
| SM-4040655-SN | 8 | 36 | SM-9050850-SP | 16 | 14 | | | | | | |
| SM-4040655-SN | 12 | 7 | ST-4861051-SN | 14 | 34 | | | | | | |
| SM-4040655-SN | 12 | 79 | ST-5030651-SN | 4 | 19 | | | | | | |
| SM-4040655-SN | 16 | 24 | ST-5030851-SN | 18 | 6 | | | | | | |
| SM-4040655-SN | 16 | 33 | ST-5030851-SN | 18 | 11 | | | | | | |
| SM-4040655-SN | 20 | 37 | ST-5030851-SN | 18 | 29 | | | | | | |
| SM-4040655-SN | 22 | 7 | ST-5030851-SN | 18 | 43 | | | | | | |
| SM-4040655-SN | 22 | 8 | ST-5030851-SN | 20 | 36 | | | | | | |
| SM-4040655-SP | 20 | 22 | ST-5041051-SN | 2 | 21 | | | | | | |
| SM-4040655-SP | 20 | 24 | ST-5041051-SN | 4 | 9 | | | | | | |
| SM-4040855-SN | 2 | 18 | ST-5041051-SN | 4 | 29 | | | | | | |
| SM-5030555-SC | 22 | 9 | ST-5041051-SN | 4 | 32 | | | | | | |
| SM-5030655-SN | 12 | 14 | | | | | | | | | |
| SM-5030655-SN | 12 | 30 | WP-0320501-SC | 16 | 50 | | | | | | |
| SM-5030655-SN | 12 | 44 | WP-0410516-RZ | 12 | 6 | | | | | | |
| SM-5030655-SN | 16 | 28 | WP-0410516-RZ | 12 | 12 | | | | | | |
| SM-5030655-SN | 16 | 30 | WP-0430801-SC | 12 | 17 | | | | | | |
| SM-5030655-SN | 16 | 37 | WP-0430801-SC | 12 | 70 | | | | | | |
| SM-5030655-SN | 16 | 39 | WP-0450816-SC | 12 | 22 | | | | | | |
| SM-5030655-SN | 16 | 44 | WP-0531001-SC | 14 | 9 | | | | | | |
| SM-5030655-SN | 18 | 27 | WP-0531001-SC | 14 | 14 | | | | | | |
| SM-5030855-SN | 12 | 10 | WP-0531001-SC | 18 | 41 | | | | | | |
| SM-5030855-SN | 12 | 39 | WP-0531001-SC | 18 | 45 | | | | | | |
| SM-5031001-SE | 12 | 35 | WP-0820516-SP | 8 | 11 | | | | | | |
| SM-5040655-SN | 14 | 10 | WP-0820516-SP | 16 | 10 | | | | | | |
| SM-5040855-SN | 2 | 9 | WP-0820516-SP | 20 | 15 | | | | | | |
| SM-5040855-SN | 2 | 13 | WZ-0430200-KP | 14 | 36 | | | | | | |
| SM-5040855-SN | 2 | 16 | WZ-0540200-KH | 14 | 15 | | | | | | |
| SM-5040855-SN | 2 | 22 | | | | | | | | | |
| SM-5040855-SN | 8 | 30 | 400-61961 | 16 | 1 | | | | | | |
| SM-5041055-SN | 12 | 18 | 400-61998 | 20 | 31 | | | | | | |

JUKI CORPORATION

HOUSEHOLD SEWING MACHINERY BUSINESS UNIT
2-11-1, TSURUMAKI, TAMA-SHI,
TOKYO, 206-8551, JAPAN

PHONE:(81)42-357-2341
FAX:(81)42-357-2380

Copyright© 2015 JUKI CORP.
All rights reserved throughout the world.

2015/9