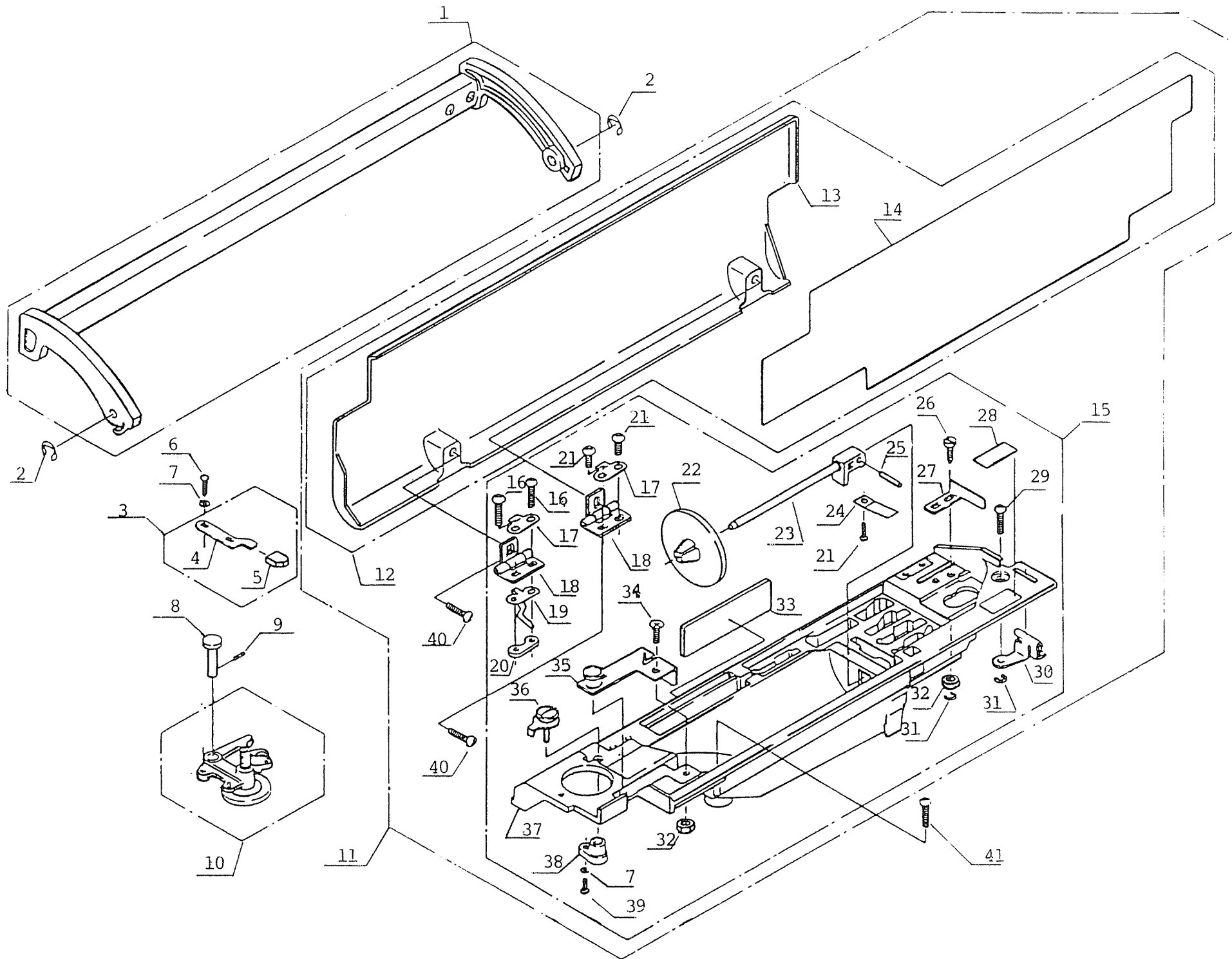
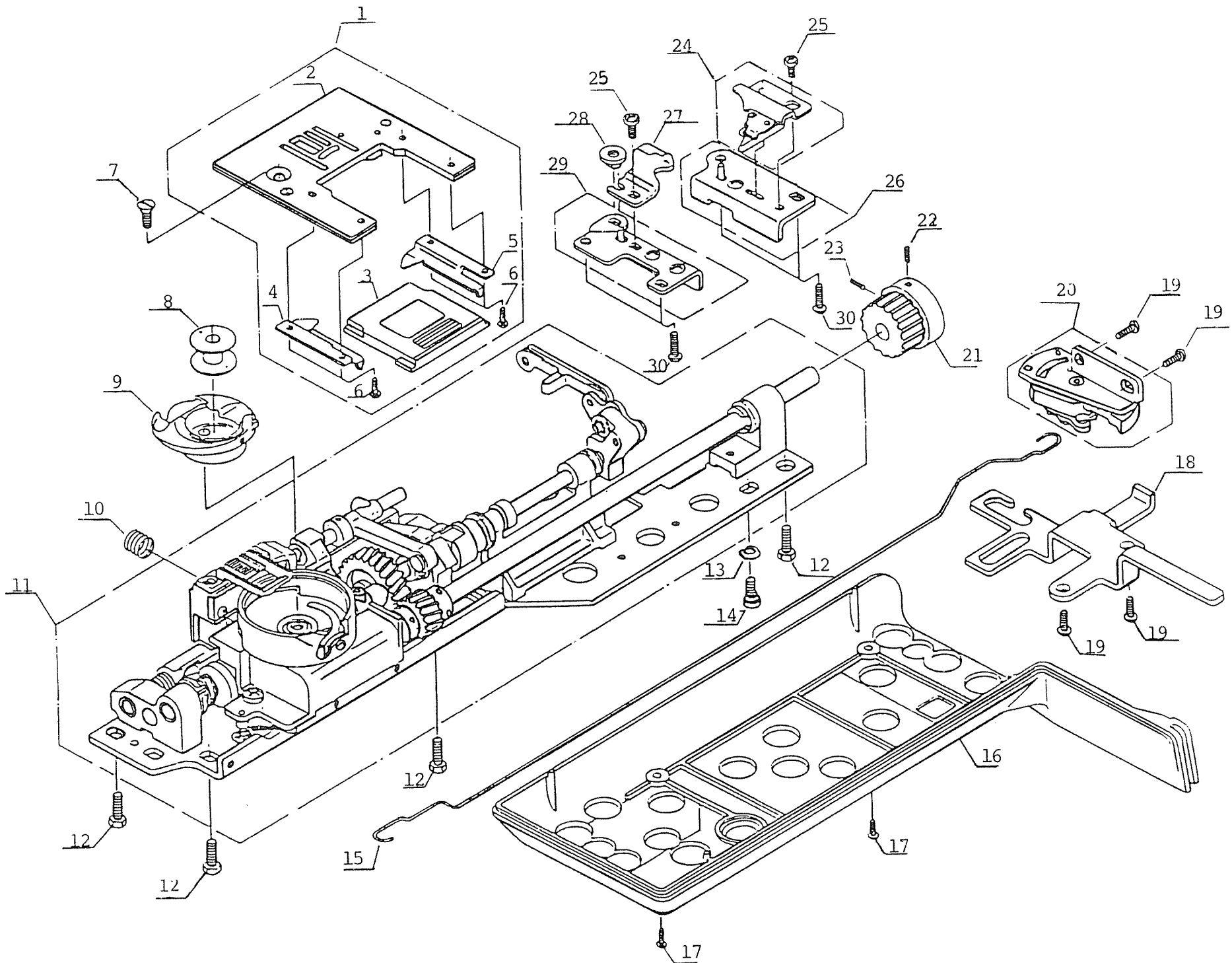


PARTS LIST

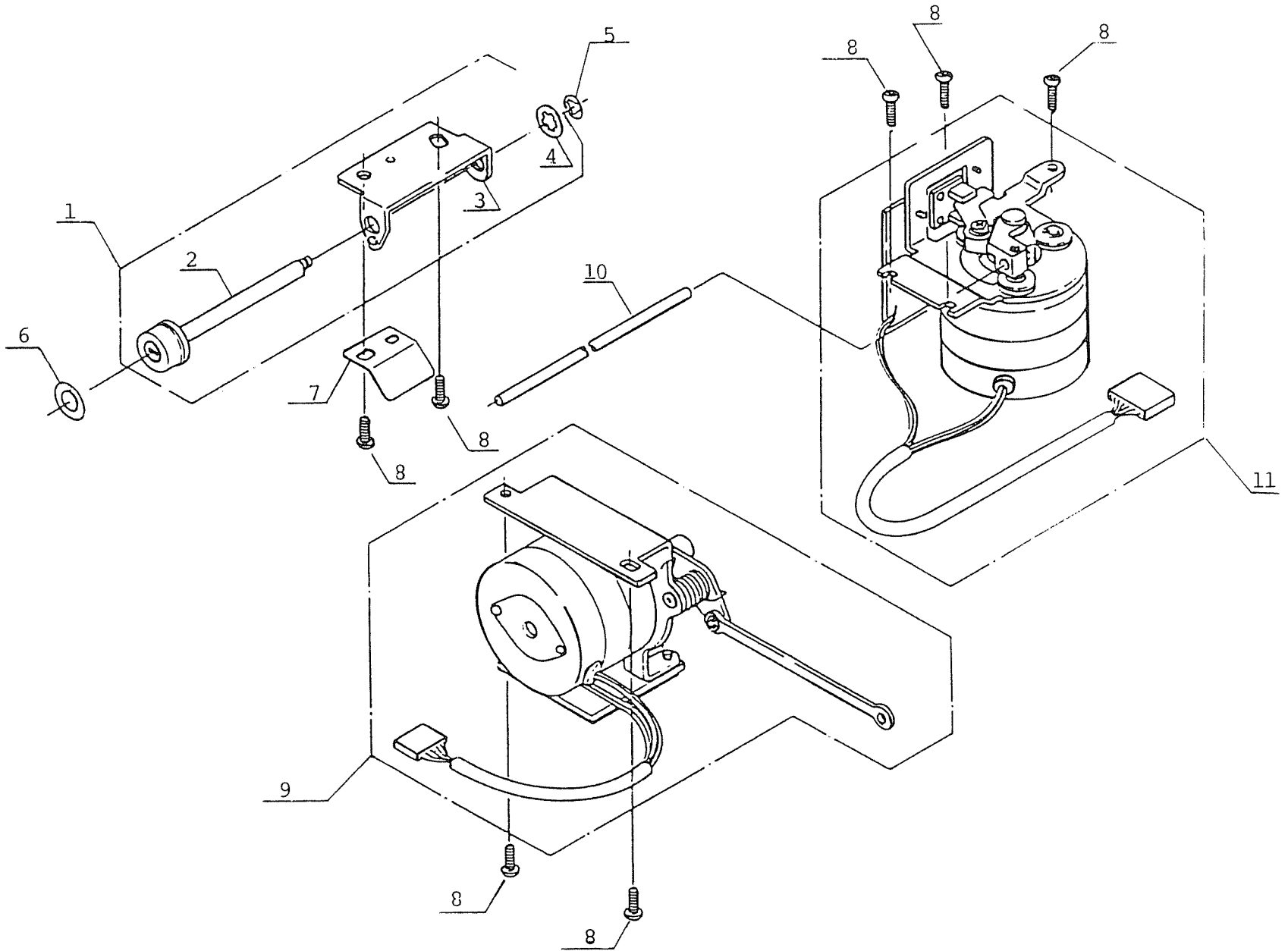
Memory Craft 6000



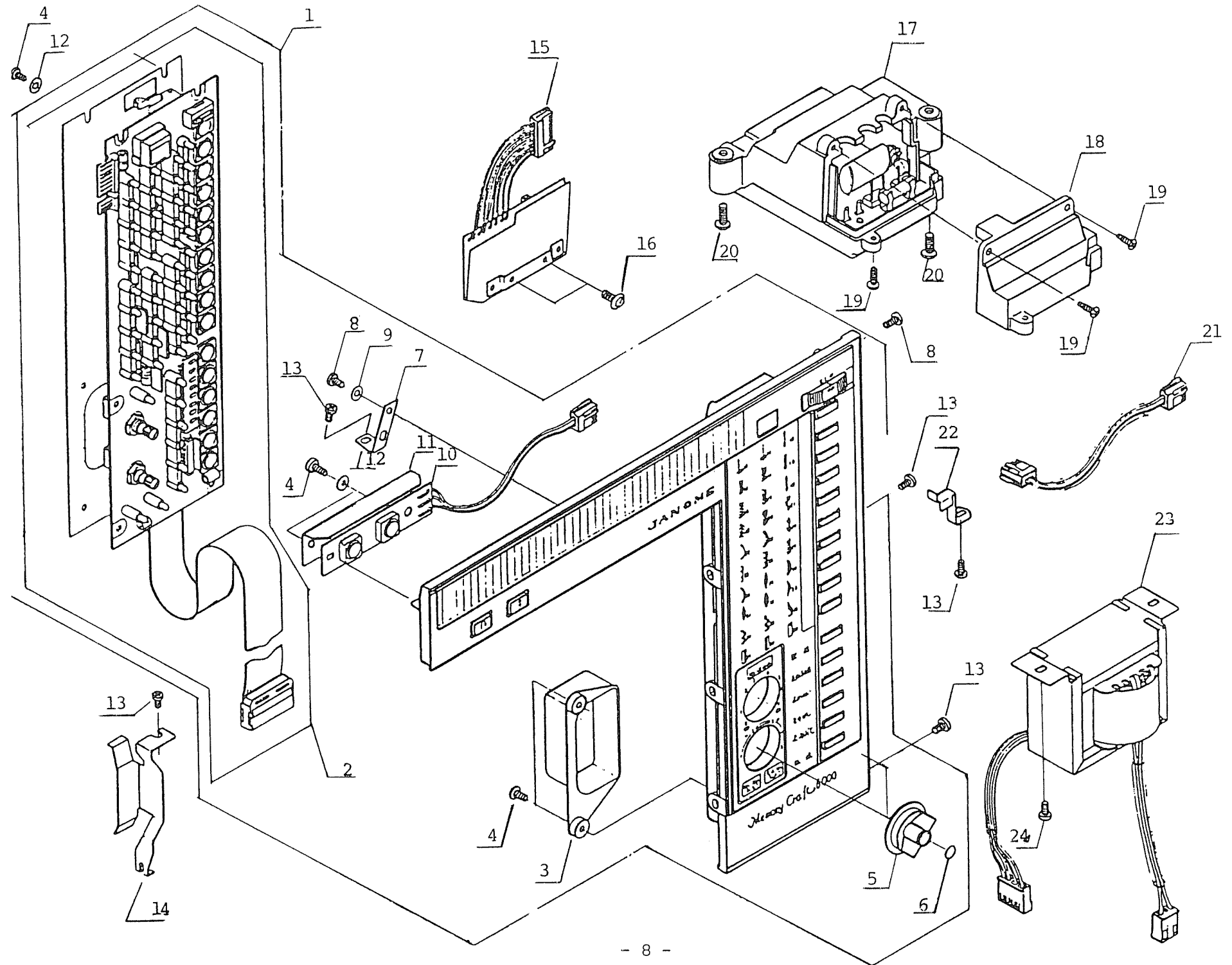
REF. NO.	PARTS NO.	NAMES OF PARTS	REF. NO.	PARTS NO.	NAMES OF PARTS
1	822504001	Carrying Handle (Unit)	36	822502009	Needle thread tension guide (Unit)
2	000001609	Snap ring E-5	37	822015000	Foot storage compartment
3	822643003	Switch adjusting plate (Unit)	38	822021009	Tension guide bracket
4	822216003	Switch adjusting plate	39	000107802	+ pan head tap tight screw 3 x 10 (B)
5	822217004	Switch adjusting plate cap	40	000100300	+pan head small screw 3.5 x 5
6	000078319	+ - binding head small screw 3 x 6	41	000103417	+ - binding head small screw 4 x 5
7	000070104	Polished plain washer 3			
8	822215002	Bobbin winder arm pin			
9	000111201	Hexagon socket screw 4 x 4			
10	822517007	Bobbin winder (Unit)			
11	822605106	Top cover complete (Unit)			
12	822606107	Top cover (Unit)			
13	822013101	Top cover			
14	822282000	Flip-top sewing Instruction Panel			
15	822607108	Foot storage compartment			
16	000100414	+ pan head small screw 3 x 14			
17	822321002	Hinge spring			
18	820502106	Top cover hinge (Unit)			
19	822034005	Earth plate			
20	822035006	Plate nut			
21	000107318	+ pan head tap tight screw 3 x 8 (B)			
22	822020008	Spool holder (large)			
23	822016001	Spool pin			
24	822018003	Spool pin spring			
25	822017002	Pin			
26	822030001	Set screw			
27	822029007	Bobbin winder stopper			
28	366812006	Top cover sticker			
29	822033004	Set screw			
30	822531007	Thread cutter (Unit) for bobbin thread			
31	000002301	Snap ring E-2			
32	000062701	Hexagon nut 3.5-3-6			
33	822312000	Vibration-proof stuff			
34	693093006	+ - binding head small screw			
35	822503000	Bobbin thread guide bracket (Unit)			



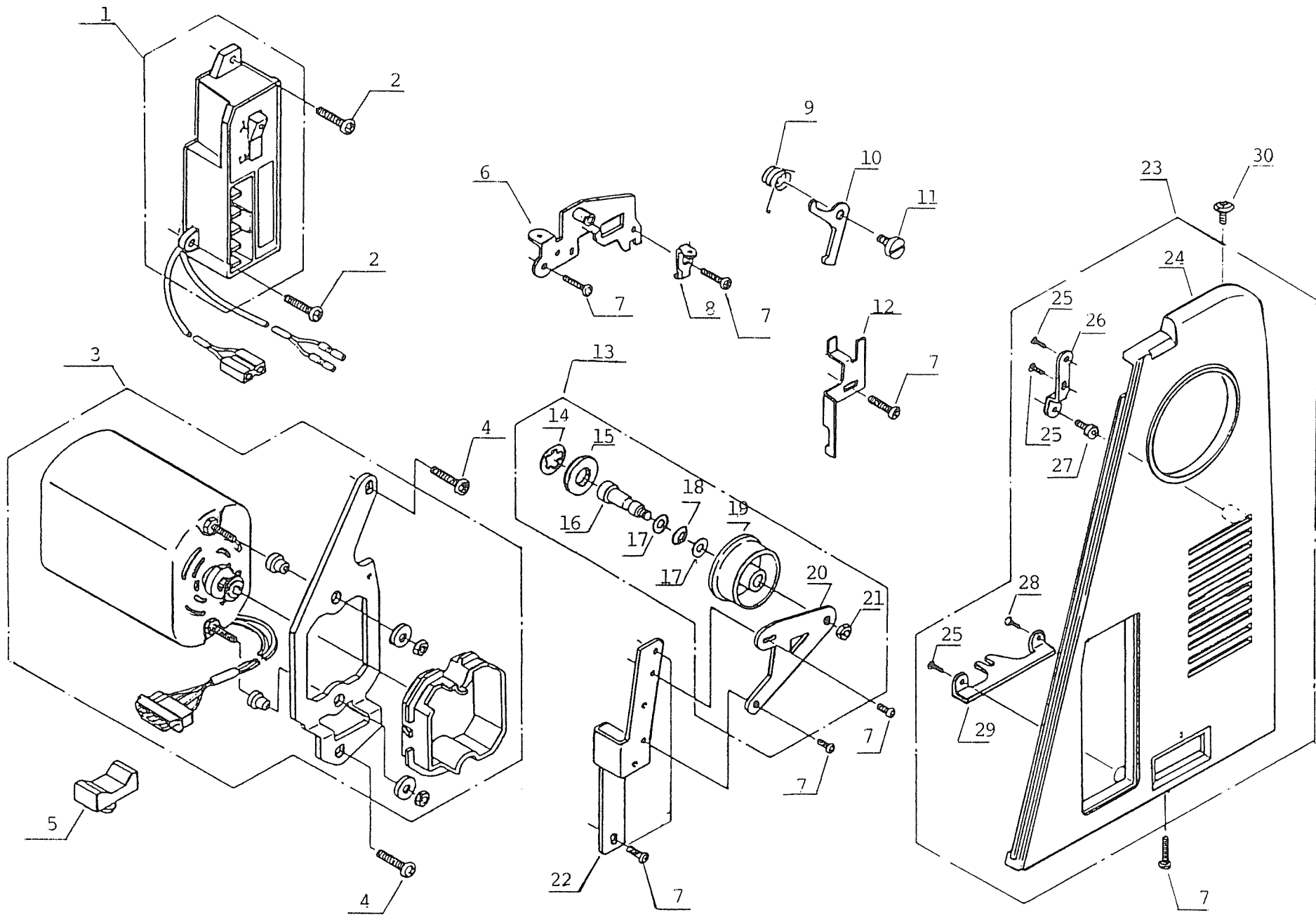
REF. NO.	PARTS NO.	NAMES OF PARTS	REF. NO.	PARTS NO.	NAMES OF PARTS
1	822601009	Needle plate complete (Unit)			
2	822501008	Needle plate (Unit)			
3	822004006	Slide plate			
4	822005007	Slide plate holder (left)			
5	822006008	Slide plate holder (right)			
6	820374004	+ - binding head small screw			
7	820390006	Set screw			
8	102261103	Bobbin			
9	822657000	Bobbin holder (Unit)			
10	820162007	Feed lifting cam spring			
11	822623018	Feed mechanism complete (Unit)			
12	000064507	Hexagon bolt 4 x 8			
13	822133005	Washer			
14	822134006	Hinged screw			
15	822135007	Drop feed rod			
16	822157005	Bed cover			
17	000103808	+ - binding head small screw 3 x 5			
18	822236009	Cord guide (1)			
19	000081005	+ - binding head small screw 4 x 8			
20	822631008	Drop feed dial (Unit)			
21	822113009	Lower shaft timing gear			
22	000110107	Hexagon socket set screw WP-5 x 5			
23	000111304	Hexagon socket set screw 5 x 5			
24	822530006	Bobbin holder stopper (Unit)			
25	000078319	+ - binding head small screw			
26	822529002	Needle plate supporter unit (right)			
27	822011006	Pawl plate			
28	822314002	Nut			
29	822528001	Needle plate supporter unit (left)			
30	000107503	+ pan tap tight screw 4 x 6			



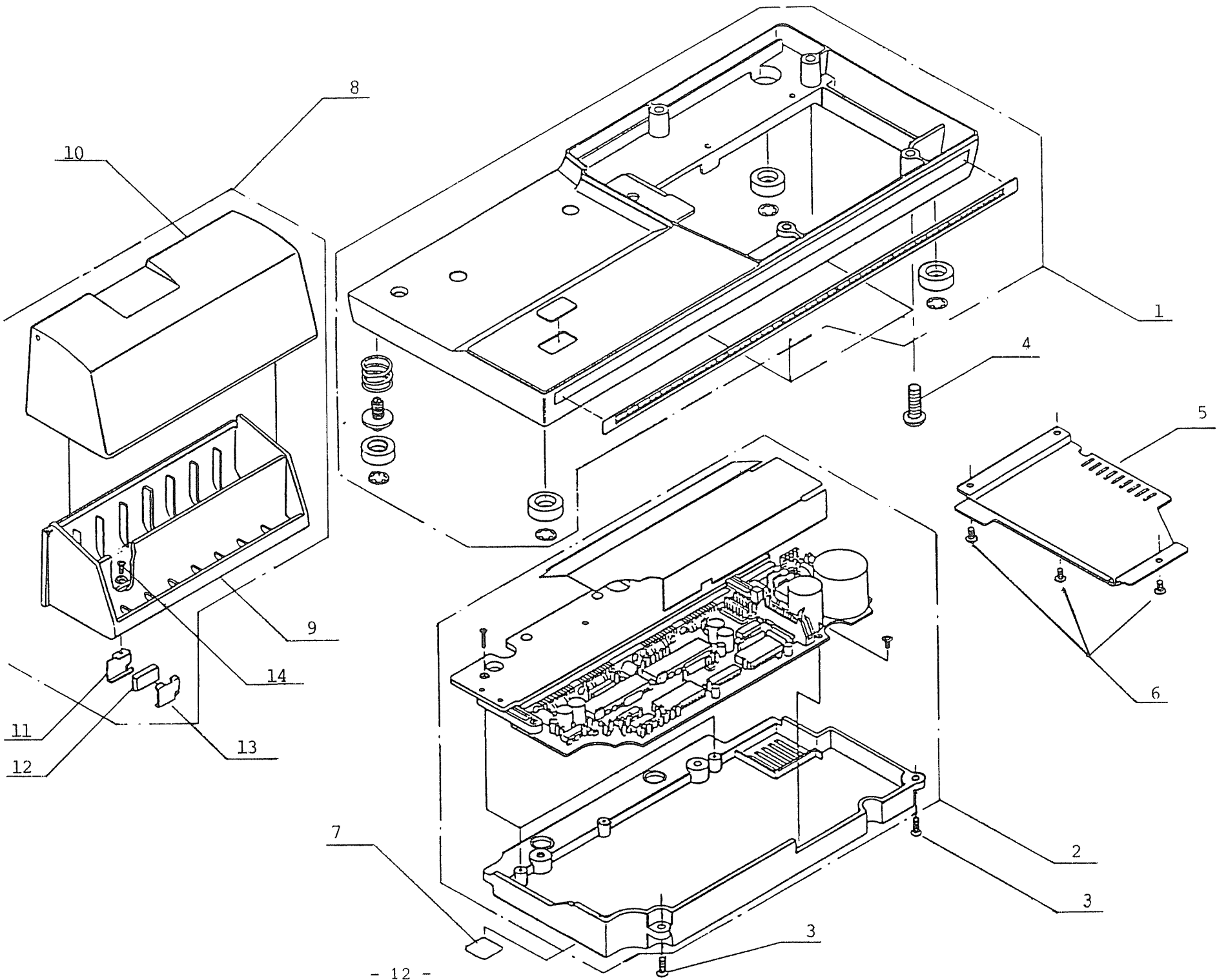
REF. NO.	PARTS NO.	NAMES OF PARTS	REF. NO.	PARTS NO.	NAMES OF PARTS
1	822634001	Feed balance dial shaft holder			
2	822154002	Feed balance dial shaft			
3	822153001	Feed balance dial shaft holder			
4	000013604	Snap ring CS-7			
5	000002105	Snap ring E-3			
6	822156004	Feed balance setting mark indicator			
7	822155003	Feed balance dial shaft spring			
8	000081005	+ - binding head small screw 4 x 8			
9	822632102	Stepping motor for stitch length			
10	822166007	Zigzag rod			
11	822635208	Stepping motor for zigzag width			



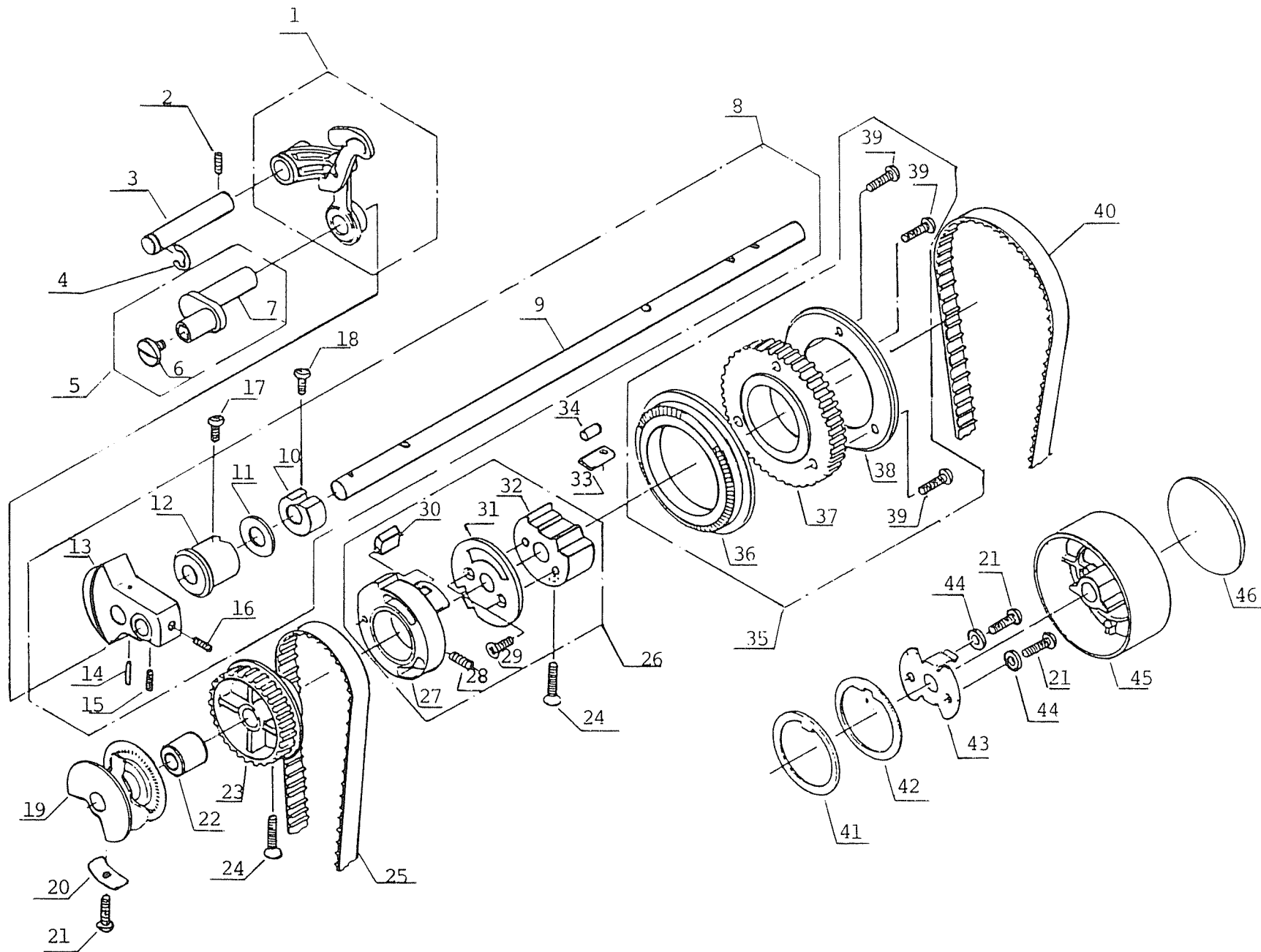
REF. NO.	PARTS NO.	NAMES OF PARTS	REF. NO.	PARTS NO.	NAMES OF PARTS
1	822651004	Pattern selection panel frame (Unit) for NH, JE			
	822653006	for JA, JCA, JNZ			
2	822515108	Printed circuit board A (Unit)			
3	822194004	Volume cap			
4	000107802	+ pan head tap tight screw 3 x 10 (B)			
5	822190000	Manual knob			
6	822191001	Manual knob cap			
7	822209003	Fixing plate			
8	000103808	+ - binding head small screw			
9	000070104	Polished plain washer 3			
10	822516006	Printed wiring plate F (Unit)			
11	822208105	Insulated paper for printed wiring plate			
12	820368005	Nylon washer			
13	000081005	+ - binding head small screw 4 x 8			
14	822306001	Thread guard plate			
15	822526102	Upper shaft sensor (Unit) <i>or</i>			
16	000115009	TP screw 3 x 8			
17	822538004	Circuit case for printed circuit board C for NH, JCA			
	822543002	for JE, JA, JNZ			
18	822241100	Circuit case (3)			
19	000107204	+ pan head tap tight set screw 3 x 12(B)			
20	000103509	+ - binding head small screw 4 x 10			
21	822521004	Printed circuit board B & C (Unit)			
22	822237000	Cord holder			
23	822652005	Transformer (Unit) for NH, JCA			
	822655008	for JE			
	822656009	for JA, JNZ			
24	000115205	TP set screw 4 x 6			



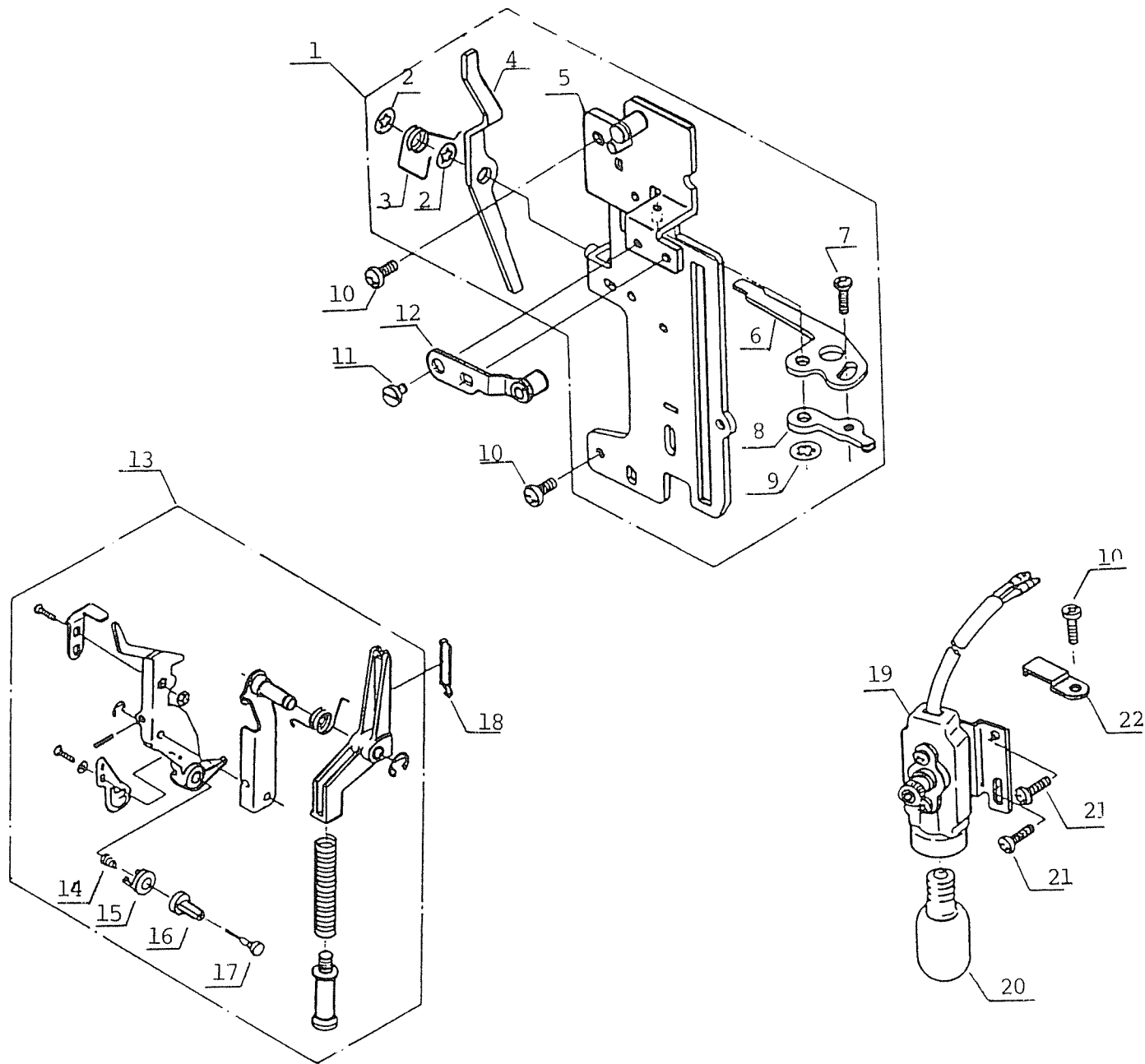
REF. NO.	PARTS NO.	NAMES OF PARTS	REF. NO.	PARTS NO.	NAMES OF PARTS
1	822537003 822542001	Machine socket (unit) for NH, JCA for JE, JA, JNZ			
2	000103509	+ - binding head small screw 4 x 10			
3	023090210 023090112	Motor unit for NH, JCA for JE, JA, JNZ			
4	000101301	+ - pan head small screw 5 x 10			
5	822310008	Motor cushion			
6	822219006	Rear supporter plate			
7	000081005	+ - binding head small screw 4 x 8			
8	822220000	Belt cover supporter plate			
9	625215005	Declutch arm spring			
10	822218005	Declutch arm			
11	625214004	Hinge screw			
12	822238001	Cord guide (2)			
13	822644004	Idler (Unit)			
14	000014203	CS ring 10			
15	822127006	Felt (3)			
16	822224004	Hinge screw			
17	572062008	Plain washer			
18	822309004	Corrugated washer			
19	822223003	Idler			
20	822222002	Idler fixing plate			
21	000061412	Hexagon nut 5-3-8			
22	822221001	Idler fixing bracket			
23	822645005	Belt cover (Unit)			
24	822225005	Belt cover			
25	000107307	+ pan tap tight screw 3 x 8 (B)			
26	822226006	Belt cover supporter plate (2)			
27	822228008	Hexagon socket bolt			
28	000076801	+ flat head T screw 3 x 8 - 2V			
29	822227007	Belt cover supporter plate (3)			
30	000115009	TP screw 3 x 3			



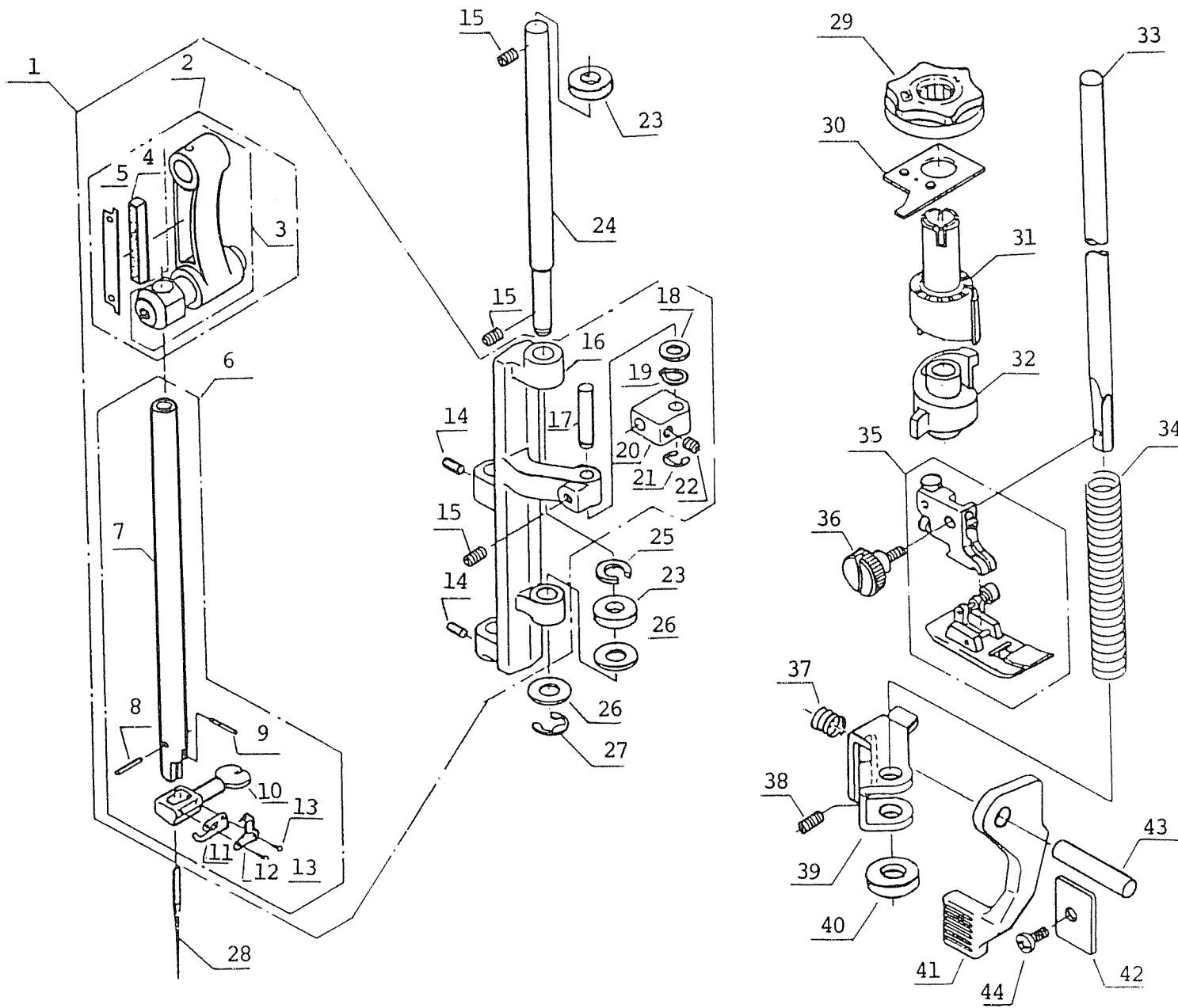
REF. NO.	PARTS NO.	NAMES OF PARTS	REF. NO.	PARTS NO.	NAMES OF PARTS
1	822535104	Base (Unit)			
2		Circuit case for printed circuit board B			
	822540009	for NH, JCA			
	822540102	for JE, JA, JNZ			
3	000121503	+ pan head tap tight screw 4 x 10			
4	000127303	Teethed washer			
5	822254003	Circuit case cover			
6	000081005	+ - binding head small screw 4 x 8			
7	822290001	Switch sticker			
8	822648008	Extension table (accessory box) unit			
9	822256005	Extension table accessory storage			
10	822257006	Extension table			
11	625036000	Magnet			
12	822258007	Magnet yoke (large)			
13	822259008	Magnet yoke (small)			
14	000107008	+ pan head tap tight screw 3 x 8			



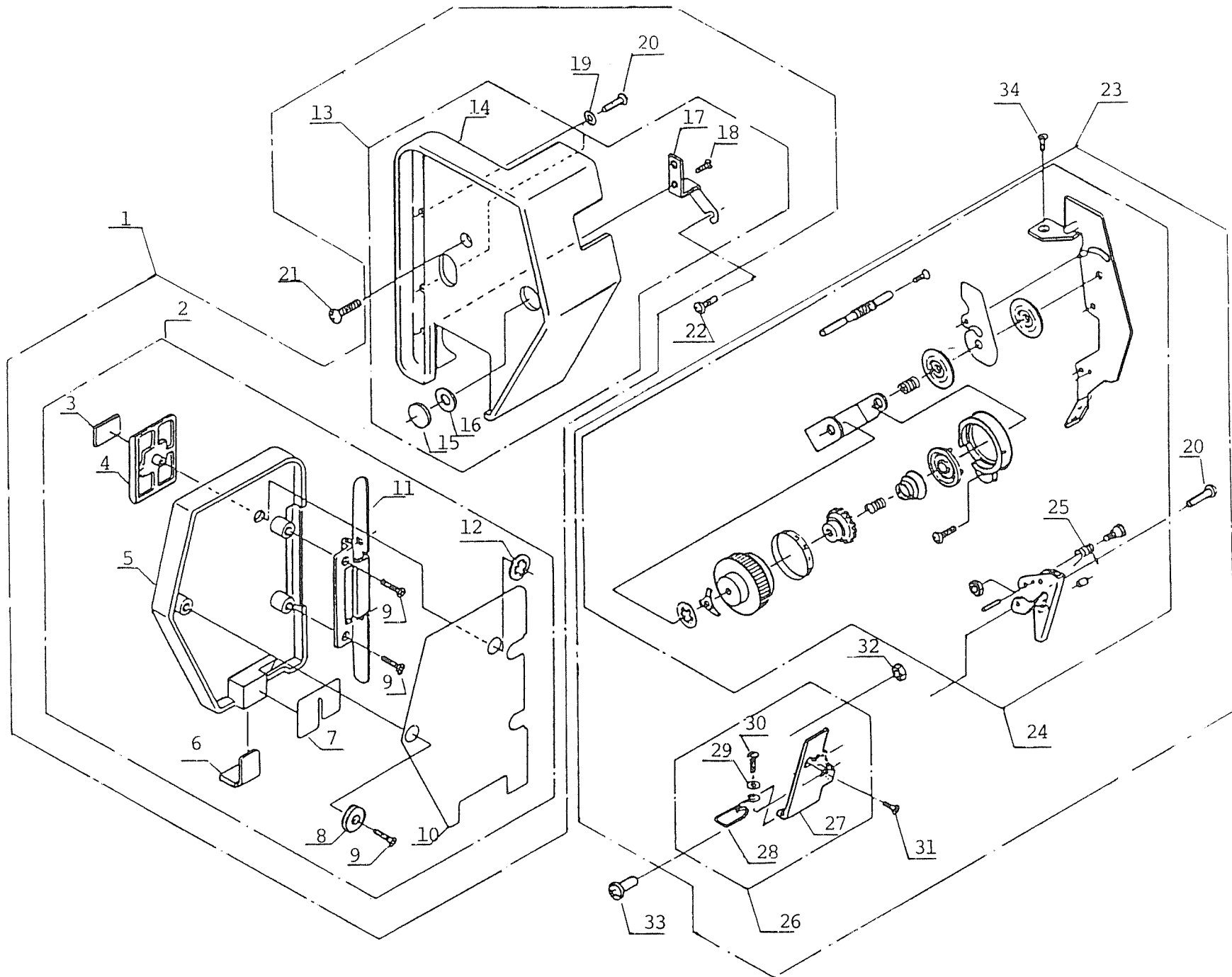
REF. NO.	PARTS NO.	NAMES OF PARTS	REF. NO.	PARTS NO.	NAMES OF PARTS
1	822512002	Thread take-up lever (Unit)	36	822100003	Bobbin winder ring
2	000111304	Hexagon socket set screw 5 x 5	37	822099008	Belt wheel
3	802028004	Thread take-up lever shaft	38	822101004	Belt presser
4	000001702	Snap ring E-6 (D)	39	000107307	+ pan head tap tight screw 3 x 8 (B)
5	627568002	Needle bar crank pin (Unit)	40	822104007	Motor belt
6	532041007	Needle bar crank pin cap	41	810422007	Balance wheel washer
7	627183009	Needle bar crank pin	42	810426001	Balance wheel spring washer
8	822619000	Upper shaft (Unit)	43	810111000	Belt wheel presser (2)
9	822093002	Upper shaft	44	820112002	Washer
10	821025000	Upper shaft ring	45	813019202	Balance wheel
11	000036706	Thrust washer FT 100	46	820380003	Balance wheel lid
12	673061003	Upper shaft front bushing			
13	627184000	Thread take-up crank			
14	000004314	Spring pin 3 x 20			
15	102073003	Set screw			
16	102063000	Set screw			
17	000100506	+ - pan head small screw 5 x 12			
18	000103509	+ - binding head small screw 4 x 10			
19	822094003	Upper shaft shield plate			
20	820102009	Plate washer			
21	000081005	+ - binding head small screw 4 x 8			
22	673062004	Upper shaft rear bushing			
23	822095004	Upper shaft timing gear			
24	000102106	+ flat head small screw 4 x 12			
25	822103006	Timing belt			
26	822620004	Balance weight bushing (Unit)			
27	822097006	Stopper cam			
28	805005015	Cushion spring			
29	000102209	+ head small screw 4 x 6			
30	822098007	Cushion			
31	822096005	Belt wheel presser (1)			
32	815065003	Balance wheel bushing			
33	810106002	Declutch roller holder			
34	810107003	Declutch roller			
35	822621005	Belt wheel (Unit)			



REF. NO.	PARTS NO.	NAMES OF PARTS	REF. NO.	PARTS NO.	NAMES OF PARTS
1	822618009	Threader supporter plate (Unit)			
2	000013903	Snap ring CS-5			
3	822308003	Thread tension releasing lever spring			
4	822085001	Thread tension releasing lever			
5	822084000	Threader supporter plate			
6	822087003	Thread tension releasing plate (2)			
7	000103808	+ - binding head small screw 3 x 5			
8	822086002	Thread tension releasing plate (1)			
9	000014007	Snap ring CS-4			
10	000081005	+ - binding head small screw 4 x 8			
11	810228001	Set screw			
12	822088004	Thread tension supporter plate			
13	822510000	Needle threader (Unit)			
14	625077003	Spring			
15	625076002	Push button cap			
16	627169009	Push button			
17	627170003	Threader spring			
18	625084003	Slide plate spring			
19	822536002	Lamp socket (Unit) for NH 120V			
	822541000	for JE, JA 240V			
	822545004	for JCA 120V			
	822541000	for JNZ 240V			
20	000008606	Bulb 100V 12W E-12			
	000009009	240V 15W BA15-D			
21	000101105	+ - binding head small screw 3 x 4			
22	611026004	Cord holder			



REF. NO.	PARTS NO.	NAMES OF PARTS	REF. NO.	PARTS NO.	NAMES OF PARTS
1	822659002	Needle bar supporter	36	102012004	Thumb screw
2	822615---	Needle bar connecting stud complete (Unit)	37	102222009	Darner spring
3	822507004	Needle bar connecting stud (Unit)	38	000111500	Hexagon socket set screw 4 x 8 (cup poi
4	810437005	Felt	39	822069009	Presser bar bracket
5	810438006	Felt holder spring	40	822070003	Felt (1)
6	822658---	Needle bar (Unit)	41	822071004	Presser bar lifter
7	822322003	Needle bar	42	822073006	Pin holder
8	000020202	Corrugated spring pin 2 x 10	43	822272005	Presser bar lifter pin
9	000020604	Spring pin 1.5 x 5	44	000081005	+ - binding head small screw 4x8
10	822506003	Needle clamp (Unit)			
11	822056003	Needle bar thread guide			
12	822057004	Needle bar thread guide set plate			
13	822058005	Pin			
14	822272007	Needle bar supporter oil string			
15	000111108	Hexagon socket set screw 4 x 6			
16	822052009	Needle bar supporter			
17	822061001	Zigzag rod pin			
18	822271006	Felt (4)			
19	000014801	Snap ring G-4			
20	822060000	Needle bar supporter connecting bracket			
21	000002105	Snap ring E-3			
22	000111201	Hexagon socket set screw 4 x 4			
23	822063003	Felt (2)			
24	822062002	Needle bar supporter shaft			
25	822064004	Felt holder (2)			
26	000036603	Thrust washer FT 50			
27	000002507	Snap ring E-4			
28	102408089	Needle			
29	822065005	Pressure dial			
30	822068008	Pressure adjusting cam holder			
31	822066006	Pressure adjusting cam (1)			
32	822067007	Pressure adjusting cam (2)			
33	102801008	Presser bar			
34	815023009	Presser bar spring			
35	822525008	Presser foot (Unit)			



REF. NO.	PARTS NO.	NAMES OF PARTS	REF. NO.	PARTS NO.	NAMES OF PARTS
1	822609007	Face plate complete (Unit)			
2	822611---	Face plate (Unit)			
3	822045009	Decorated plate (A)			
4	822044008	Decorated plate (B)			
5	822042006	Face plate cover			
6	822532008	Thread cutter (Unit)			
7	822048002	Reflection plate			
8	822043007	Magnetic attraction washer			
9	000076801	+ flat head T screw 3 x 8 - 2V			
10	822316004	Threading guide plate			
11	822505002	Face plate hinge (Unit)			
12	000014007	Snap ring CS-4			
13	822610---	Face plate (Unit)			
14	822039103	Face plate			
15	822041005	Face plate magnet			
16	000071404	Polished plain washer 6			
17	822040004	Face plate fixing plate			
18	000107400	+ pan head tap tight screw 4 x 8			
19	000070104	Polished plain washer 3			
20	000103808	+ - binding head small screw 3 x 5			
21	000106502	+ - binding head small screw 3 x 16			
22	000078319	+ - binding head small screw 3 x 6			
23	822533009	Thread tension dial complete (unit)			
24	822509006	Thread tension dial (unit)			
25	822080006	Check spring			
26	822534000	Lower thread guide (unit)			
27	822082008	Lower thread guide holder plate			
28	822083009	Lower thread guide			
29	000071208	Polished plain washer 2.5			
30	810007002	Set screw			
31	000102508	+ flat head small screw 3 x 6			
32	000060857	Hexagon nut 3-1-5.5			
33	000081005	+ - binding head small screw			
34	000102209	+ head small screw 4 x 6			