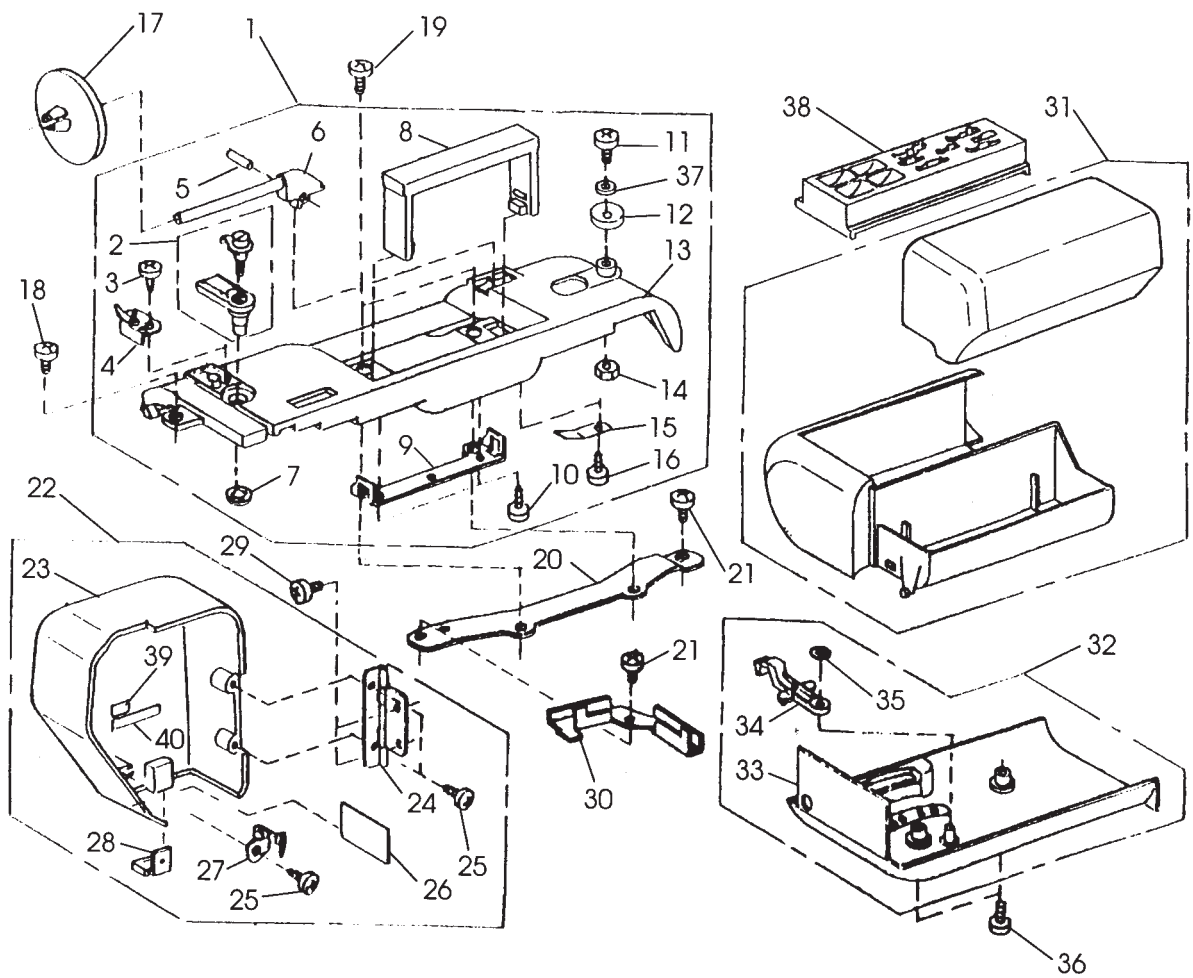


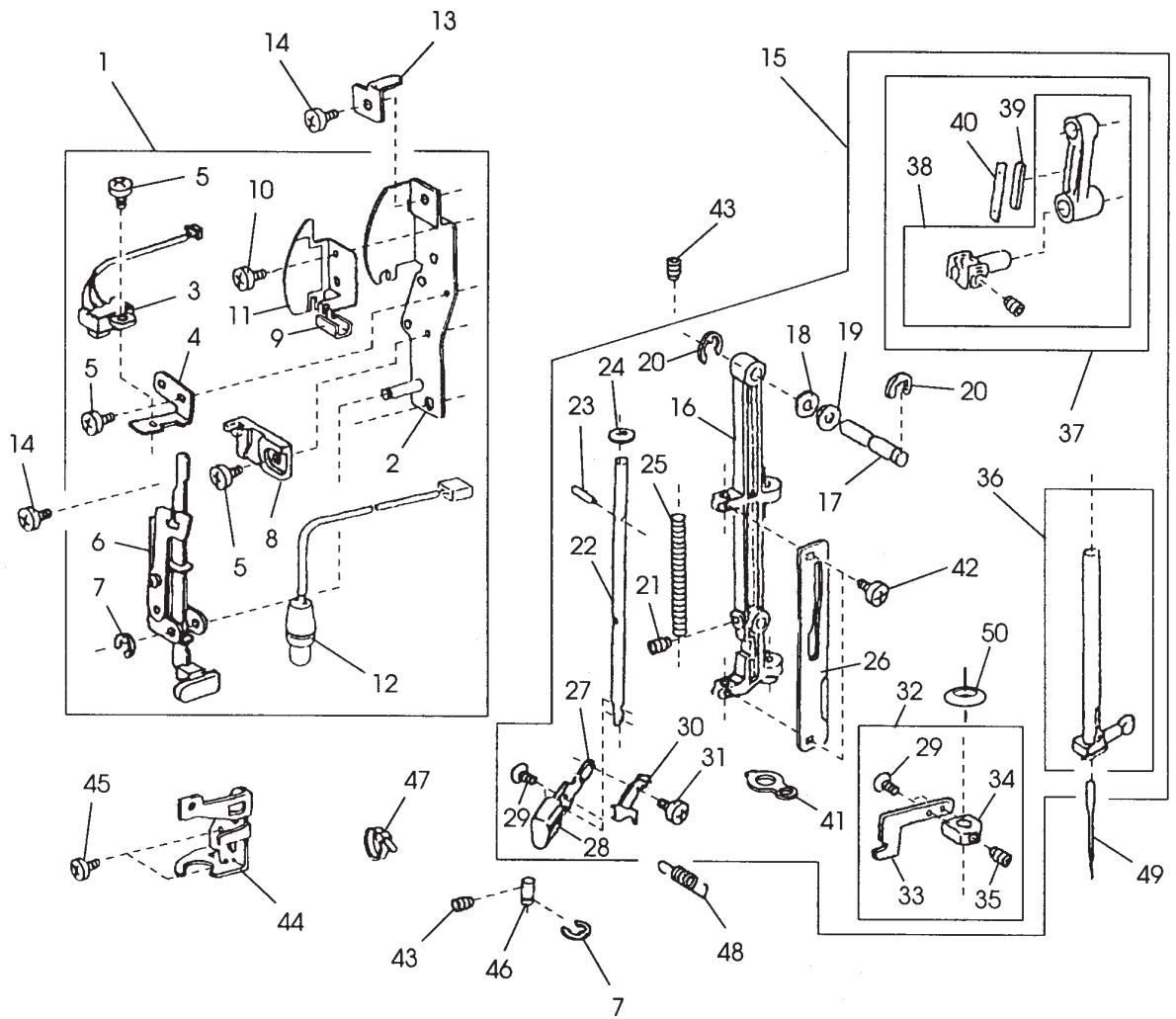
PARTS LIST

Memory Craft 3500

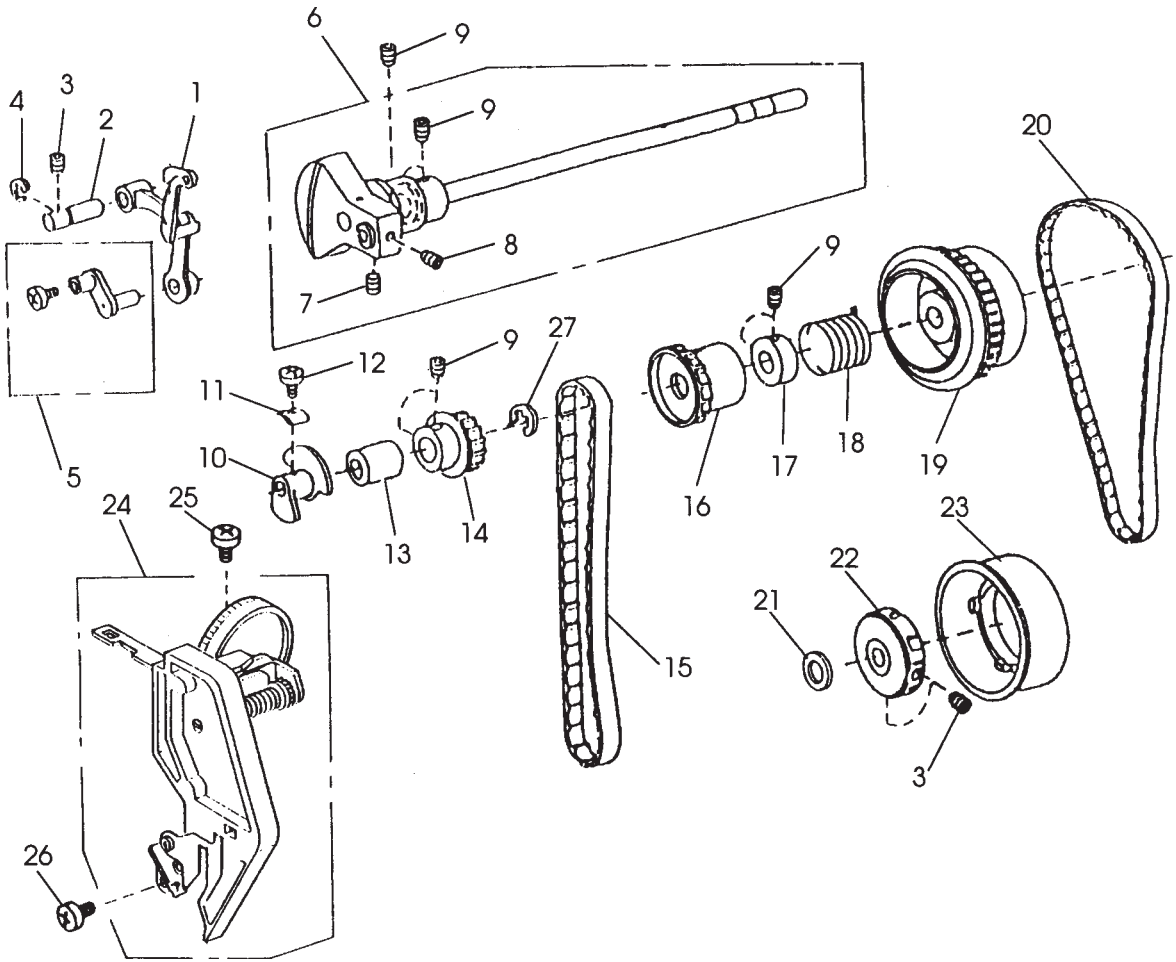
Specification code: 840770006 (U.S.A. T-23590)
847770017 (U.S.A.)
840771007 (Canada)
840771018 (Canada)
840772008 (Australia)
840773009 (Great Britain)



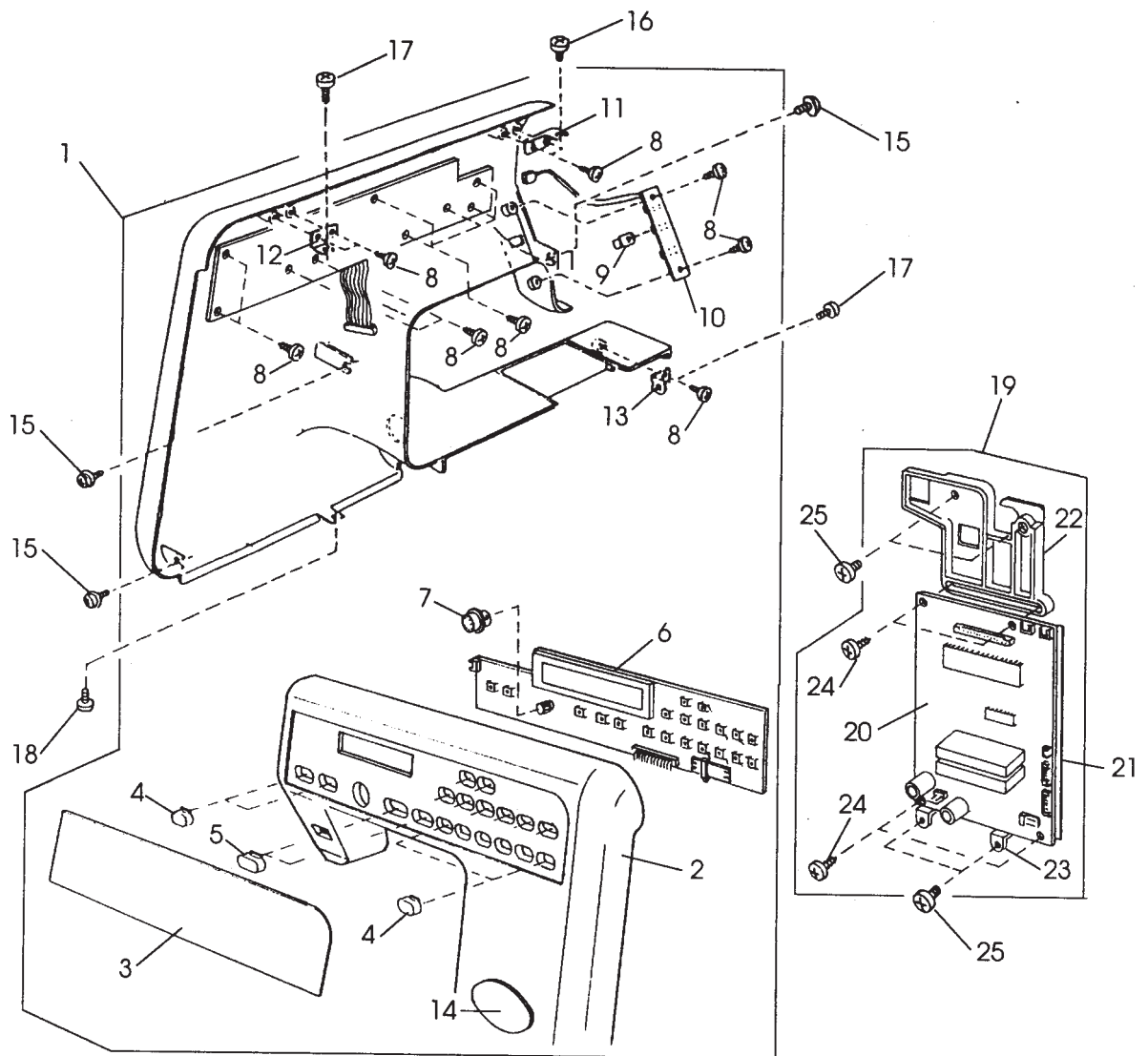
| REF PART NO. | PART NO. | NAME |
|--------------|------------|--|
| 1 | 827606010 | Top cover unit |
| 2 | 650503506 | Thread guide unit |
| 3 | 000162001 | Setscrew |
| 4 | 827503005 | Top cover thread guide unit |
| 5 | 822017002 | Pin |
| 6 | 724206106 | Spool pin |
| 7 | 000014409 | Snap ring |
| 8 | 827014004 | Handle |
| 9 | 827015005 | Setplate |
| 10 | 000161206 | Setscrew |
| 11 | 000103107 | Setscrew |
| 12 | 735016307 | Bobbin winder stopper |
| 13 | 828008020 | Top cover |
| 14 | 000061205 | Nut |
| 15 | 724207004 | Spool pin spring |
| 16 | 000107318 | Setscrew |
| 17 | 822020503 | Spool holder (large) |
| 18 | 810220003 | Setscrew |
| 19 | 000103107 | Setscrew |
| 20 | 827016006 | Top cover set plate |
| 21 | 000081005 | Setscrew |
| 22 | 840601005 | Face plate unit for U.S.A. |
| | 840601108 | Face plate unit for Canada |
| | 840601245 | Face plate unit for Australia |
| | 840601201 | Face plate unit for Great Britain & Continental Europe |
| 23 | 840002000 | Face plate |
| 24 | 366501102 | Face plate hinge |
| 25 | 000161206 | Setscrew |
| 26 | 827099003 | Face plate sticker |
| 27 | 840602006 | Face cutter unit |
| 28 | 731067002 | Face plate spring |
| 29 | 000081119 | Setscrew |
| 30 | 827077005 | Cord guide |
| 31 | 840501 004 | Extension table unit |
| 32 | 827602005 | Bed cover unit |
| 33 | 827004001 | Bed cover |
| 34 | 753005000 | Drop lever |
| 35 | 000013903 | Snap ring |
| 36 | 000101703 | Setscrew |
| 37 | 000071013 | Washer |
| 38 | 827009006 | Footstorage compartment |
| 39 | 100411001 | Sticker for USA & Australia |
| 40 | 830312016 | Caution sticker for USA |
| | 100045000 | Caution sticker for Canada |



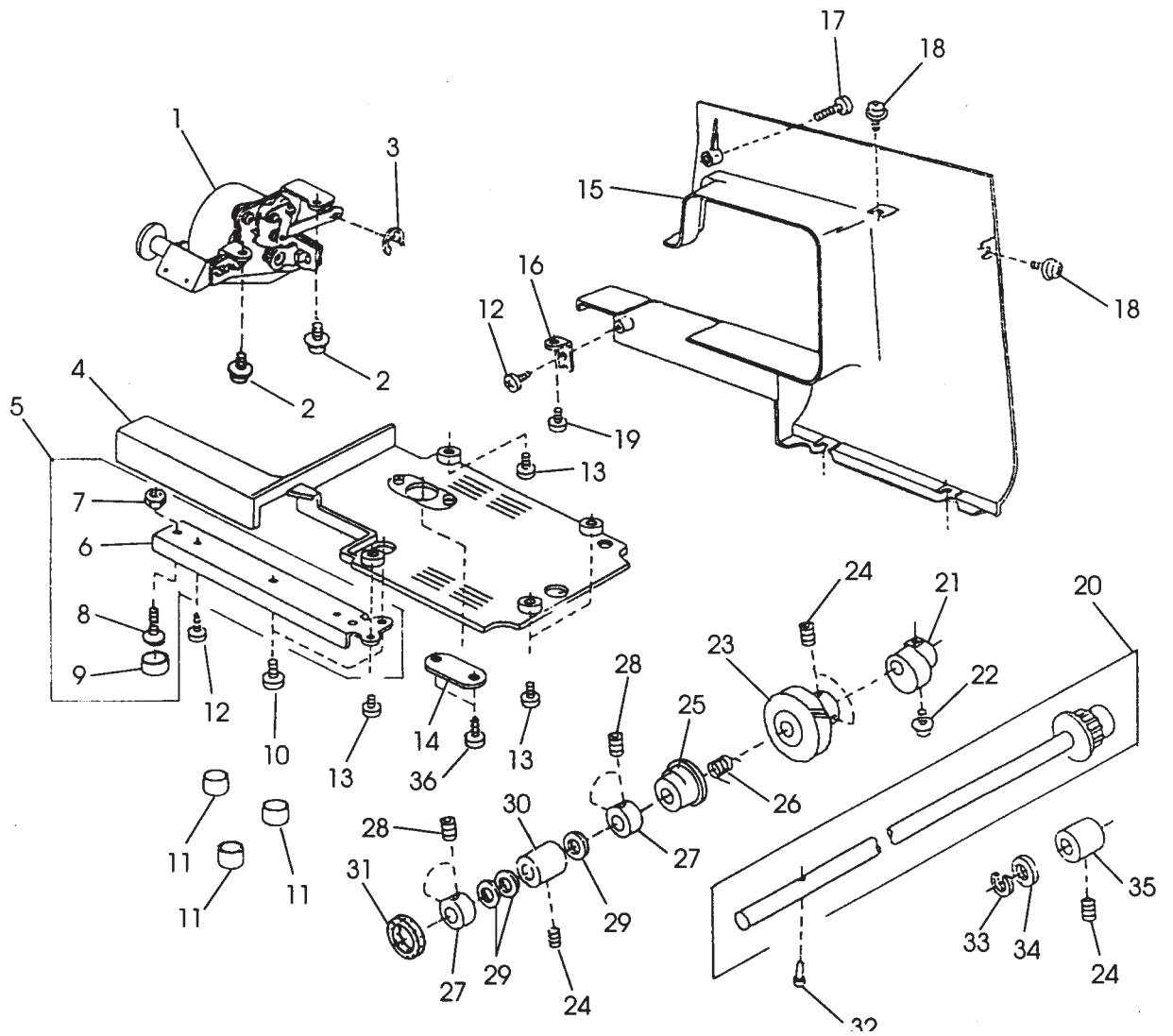
| REF NO. | PART NO. | NAME |
|---------|-----------|---------------------------------------|
| 1 | 827610202 | Front set plate unit |
| 2 | 827028012 | Front set plate |
| 3 | 830510304 | Photointerrupter unit |
| 4 | 827090004 | Sensor set plate |
| 5 | 000103808 | Setscrew |
| 6 | 827630013 | Buttonhole lever unit |
| 7 | 000002105 | Snap ring |
| 8 | 830057010 | Buttonhole lever guide |
| 9 | 827029013 | Cord guide plate |
| 10 | 652203004 | Setscrew |
| 11 | 829016002 | Sticker |
| 12 | 830538124 | Lamp socket unit |
| 13 | 827106004 | Set plate |
| 14 | 810220003 | Setscrew |
| 15 | 827609105 | Needle bar supporter unit |
| 16 | 827026009 | Needle bar supporter |
| 17 | 730022002 | Needle bar supporter pin |
| 18 | 673022002 | Washer |
| 19 | 000070609 | Washer |
| 20 | 000002507 | Snap ring |
| 21 | 000111902 | Hexagon socket screw |
| 22 | 734093017 | Threader shaft |
| 23 | 000122906 | Guide pin |
| 24 | 734107004 | Washer |
| 25 | 827091005 | Threader shaft spring |
| 26 | 653036029 | Threader guide plate |
| 27 | 734096009 | Threader lever |
| 28 | 734097000 | Threader knob |
| 29 | 000097602 | Setscrew |
| 30 | 734515009 | Threader guide plate unit |
| 31 | 000105501 | Setscrew |
| 32 | 734625003 | Threader set plate unit |
| 33 | 734101008 | Threader set plate |
| 34 | 734102009 | Threader base plate |
| 35 | 000111902 | Hexagon socket screw |
| 36 | 653503103 | Needle bar unit |
| 37 | 653612003 | Needle bar connecting Stud comp. Unit |
| 38 | 653504001 | Needle bar connecting Stud unit |
| 39 | 650040005 | Felt |
| 40 | 650041006 | Felt set spring |
| 41 | 829027006 | Supporter guide plate |
| 42 | 000101105 | Setscrew |
| 43 | 000111201 | Hexagon socket screw |
| 44 | 827018019 | Lamp set plate |
| 45 | 000101507 | Setscrew |
| 46 | 827083004 | Pin |
| 47 | 000053008 | Cord binder |
| 48 | 756065005 | Supporter spring |
| 49 | 102408089 | Needle |
| 50 | 827098002 | Washer |



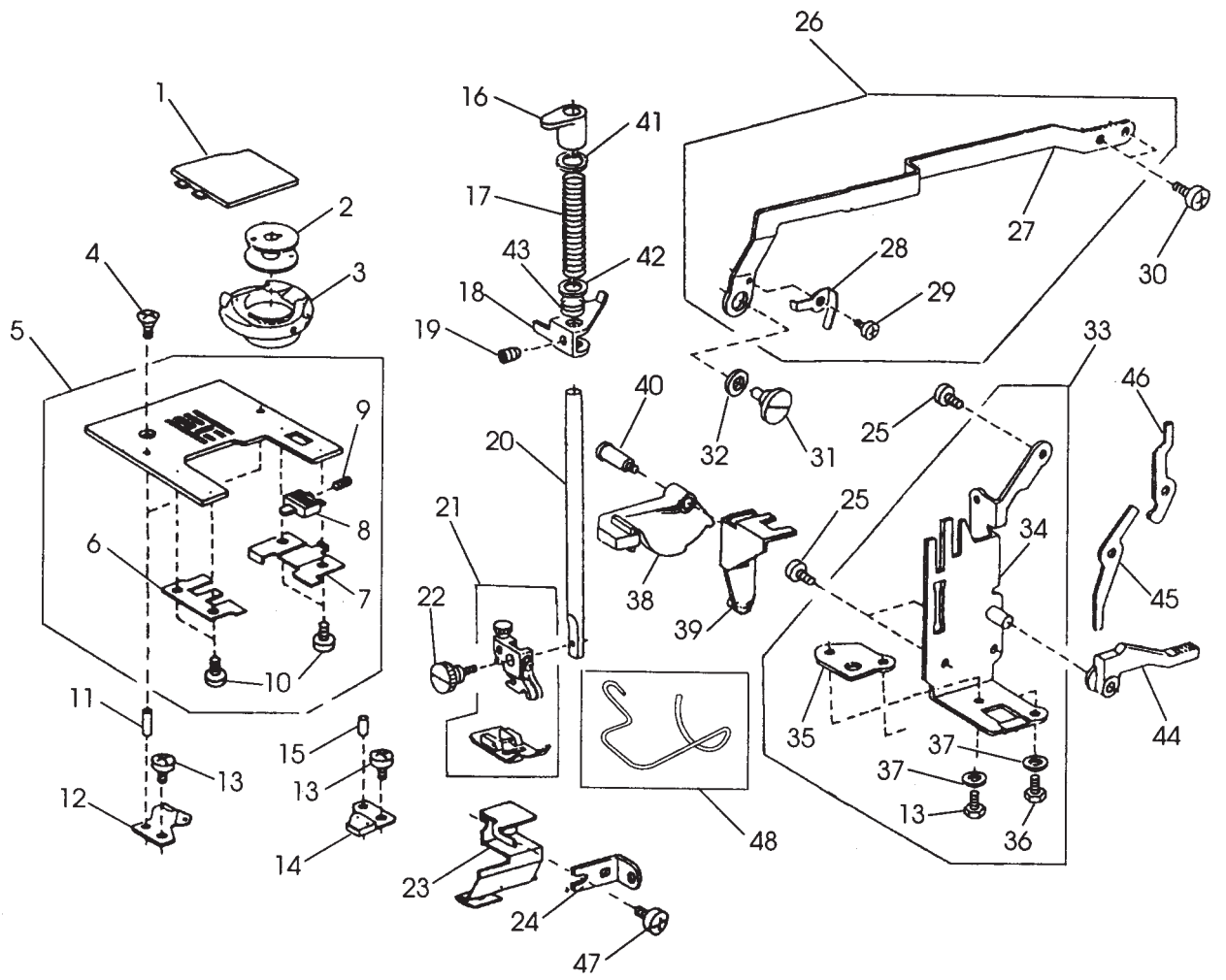
| REF NO. | PART NO. | NAME |
|---------|-----------|---------------------------|
| 1 | 820511108 | Thread take-up lever unit |
| 2 | 650062003 | Thread take-up lever pin |
| 3 | 000111201 | Hexagon socket screw |
| 4 | 000001702 | Snap ring |
| 5 | 652512009 | Needle bar crank pin unit |
| 6 | 827518508 | Upper shaft unit |
| 7 | 102073003 | Setscrew |
| 8 | 761052007 | Setscrew |
| 9 | 000111304 | Hexagon socket screw |
| 10 | 830095009 | Upper shaft shield plate |
| 11 | 820102009 | Washer |
| 12 | 000081005 | Setscrew |
| 13 | 673062004 | Upper shaft bushing |
| 14 | 732026002 | Adjusting wheel |
| 15 | 650071005 | Timing belt |
| 16 | 653055002 | Declutch release ring |
| 17 | 653056003 | Declutch ring |
| 18 | 653057004 | Declutch spring |
| 19 | 653058005 | Belt wheel |
| 20 | 653139012 | Timing belt |
| 21 | 000038605 | Washer |
| 22 | 830286009 | Hand wheel base plate |
| 23 | 653061115 | Hand wheel |
| 24 | 840502005 | Thread tension unit |
| 25 | 000101404 | Setscrew |
| 26 | 000101703 | Setscrew |
| 27 | 000030205 | Snap ring |



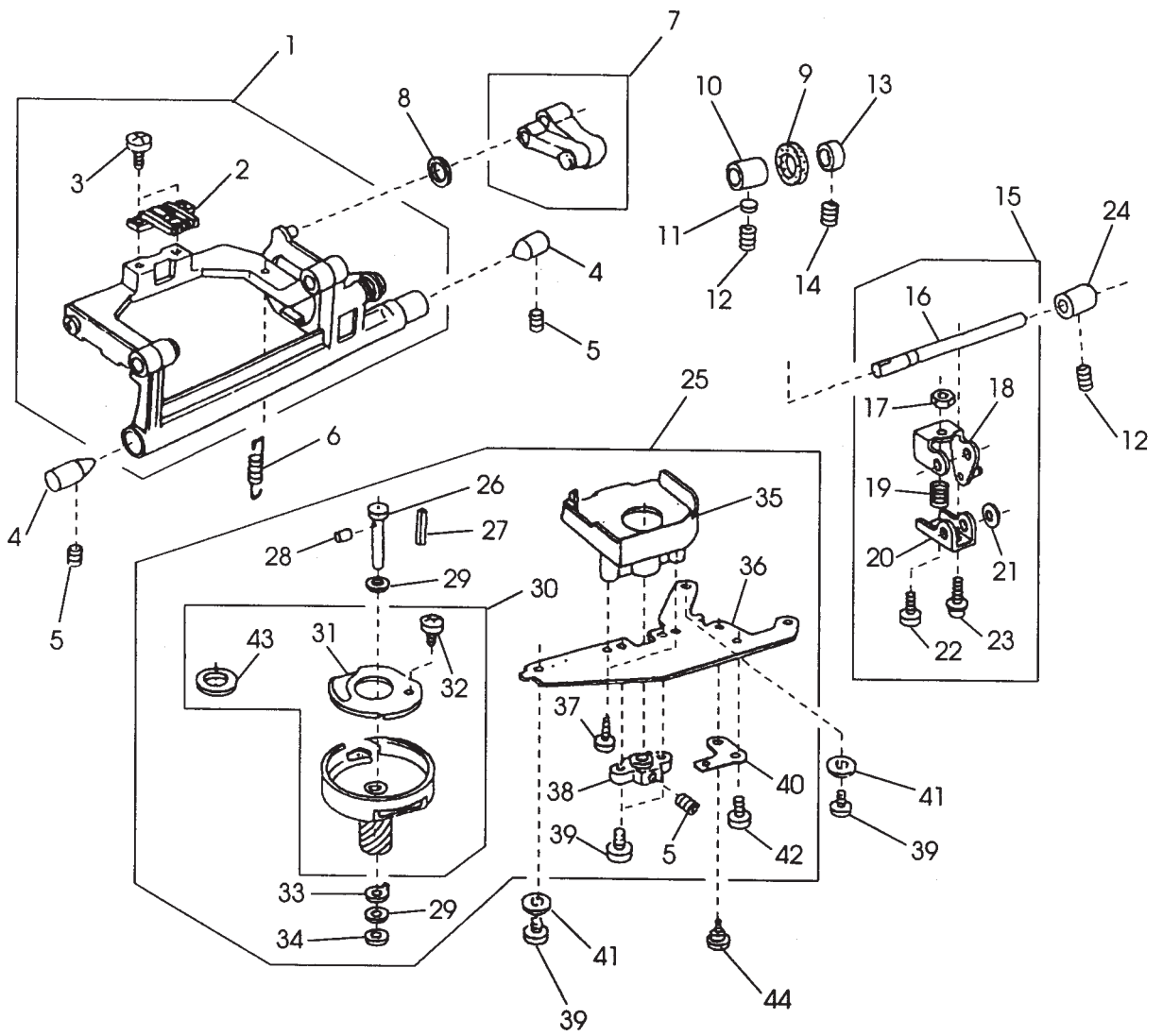
| REF NO. | PART NO. | NAME |
|---------|-----------|-------------------------------------|
| 1 | 840639002 | Front cover complete unit (English) |
| | 840639013 | Front cover complete unit (Spanish) |
| | 840639024 | Front cover complete unit (French) |
| 2 | 840612700 | Front cover unit |
| 3 | 840184007 | Key board sheet |
| 4 | 840012003 | Button (1) |
| 5 | 840013004 | Button (2) |
| 6 | 840610007 | K-board unit |
| 7 | 840211004 | Screen sharpness adjusting dial |
| 8 | 000120203 | Setscrew |
| 9 | 840016007 | Button |
| 10 | 840507000 | F-board unit |
| 11 | 827067002 | Front cover setting plate (front) |
| 12 | 827068003 | Front cover setting plate (rear) |
| 13 | 827069004 | Front cover setting plate (bottom) |
| 14 | 823209015 | Emblem |
| 15 | 000115205 | Setscrew |
| 16 | 000103808 | Setscrew |
| 17 | 000101404 | Setscrew |
| 18 | 000103509 | Setscrew |
| 19 | 840611802 | A-board unit |
| 20 | 840508702 | A-board unit |
| 21 | 840017008 | A-board insulation paper |
| 22 | 840018009 | A-board setting plate (upper) |
| 23 | 527072000 | A-board setting plate (bottom) |
| 24 | 000161103 | Setscrew |
| 25 | 000081005 | Setscrew |



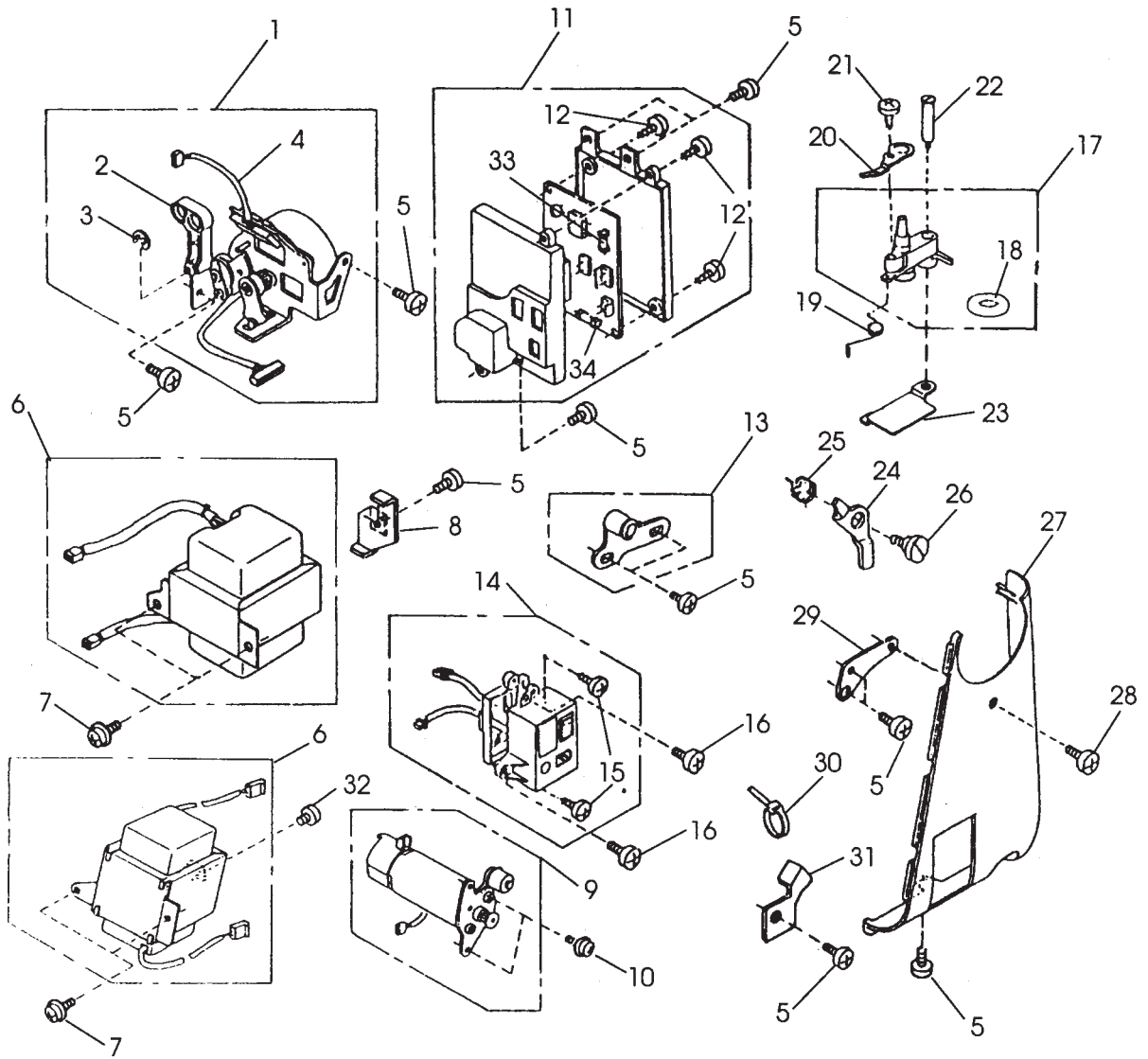
| REF NO. | PART NO. | NAME |
|---------|-----------|-----------------------------|
| 1 | 841611001 | Stepping motor (feed) unit |
| 2 | 000115205 | Setscrew |
| 3 | 000002105 | Snap ring |
| 4 | 827003000 | Base plate |
| 5 | 827601107 | Arm leg unit |
| 6 | 827002102 | Arm leg |
| 7 | 000097412 | Nut |
| 8 | 000097901 | Setscrew |
| 9 | 735002001 | Rubber |
| 10 | 000066808 | Setscrew |
| 11 | 647009002 | Bed rubber base |
| 12 | 000120203 | Setscrew |
| 13 | 000103509 | Setscrew |
| 14 | 824058001 | Base cover |
| 15 | 827005013 | Rear cover |
| 16 | 827006003 | Rear cover set plat |
| 17 | 000104119 | Setscrew |
| 18 | 000115205 | Setscrew |
| 19 | 000081119 | Setscrew |
| 20 | 751612206 | Lower shaft unit |
| 21 | 751148000 | Feed cam |
| 22 | 000115009 | Setscrew |
| 23 | 650076000 | Lower shaft gear |
| 24 | 000111304 | Hexagon socket screw |
| 25 | 753183025 | Feed lifting cam |
| 26 | 686035008 | Feed lifting cam spring |
| 27 | 820166001 | Ring |
| 28 | 000111201 | Hexagon socket screw |
| 29 | 000038502 | Washer |
| 30 | 650078002 | Lower shaft bushing (front) |
| 31 | 735143005 | Felt |
| 32 | 820161006 | Pin |
| 33 | 822112008 | Felt holder |
| 34 | 822070003 | Felt |
| 35 | 650079003 | Lower shaft bushing (rear) |
| 36 | 000107318 | Setscrew |



| REF NO. | PART NO. | NAME |
|---------|-----------|----------------------------|
| 1 | 750036001 | Slide plate |
| 2 | 102261000 | Bobbin |
| 3 | 627569106 | Bobbin holder unit |
| 4 | 681009101 | Setscrew |
| 5 | 756604107 | Needle plate unit |
| 6 | 752005007 | Slide plate holder (left) |
| 7 | 825015010 | Slide plate holder (right) |
| 8 | 825016000 | Slide block |
| 9 | 825017001 | Spring |
| 10 | 820374004 | Setscrew |
| 11 | 000122504 | Guide pin |
| 12 | 827011001 | Stopper |
| 13 | 810220003 | Setscrew |
| 14 | 627567001 | Rotational stopper |
| 15 | 000122700 | Guide pin |
| 16 | 652104004 | Presser bar bushing |
| 17 | 826006000 | Presser bar spring |
| 18 | 735028003 | Presser bar bracket |
| 19 | 000111500 | Hexagon socket screw |
| 20 | 827021004 | Presser bar |
| 21 | 685503010 | Presser foot unit |
| 22 | 647112009 | Thumbscrew |
| 23 | 827036002 | Arm thread guide |
| 24 | 827037003 | Front cover set plate |
| 25 | 000081005 | Setscrew |
| 26 | 000069605 | Zigzag rod unit |
| 27 | 827055018 | Zigzag rod |
| 28 | 827088009 | Zigzag rod spring |
| 29 | 820373003 | Setscrew |
| 30 | 000078319 | Setscrew |
| 31 | 678084007 | Eccentric pin |
| 32 | 653037008 | Washer |
| 33 | 828605001 | Presser bar base unit |
| 34 | 827020014 | Presser bar base |
| 35 | 827082003 | Presser bar set plate |
| 36 | 000066303 | Hexagon bolt |
| 37 | 000070908 | Washer |
| 38 | 829013009 | Pressure adjusting lever |
| 39 | 829014000 | Pressure adjusting plate |
| 40 | 820090003 | Hinge screw |
| 41 | 652201002 | Washer |
| 42 | 826055004 | Washer |
| 43 | 826056005 | Spring |
| 44 | 735029004 | Presser foot lifter |
| 45 | 827022005 | Tension release lever (1) |
| 46 | 827023006 | Tension release lever (2) |
| 47 | 000069605 | Setscrew |



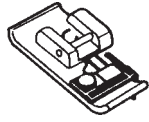
| REF NO. | PART NO. | NAME |
|---------|-----------|----------------------------|
| 1 | 834527100 | Feed rock shaft unit |
| 2 | 840005003 | Feed dog |
| 3 | 000104005 | Setscrew |
| 4 | 738055008 | Center pin |
| 5 | 000111304 | Hexagon socket screw |
| 6 | 650085002 | Spring |
| 7 | 650612004 | Feed adjuster unit |
| 8 | 000036603 | Washer |
| 9 | 823110009 | Felt |
| 10 | 625144002 | Feed shaft bushing (front) |
| 11 | 650175000 | Screw base |
| 12 | 000111201 | Hexagon socket screw |
| 13 | 820387000 | Ring |
| 14 | 000111108 | Hexagon socket screw |
| 15 | 840603007 | Feed shaft unit |
| 16 | 840006004 | Feed shaft |
| 17 | 000160102 | Adjustablenut |
| 18 | 825261002 | Feed adjusting arm (2) |
| 19 | 589040002 | Spring |
| 20 | 827043105 | Feed adjusting arm (1) |
| 21 | 810207004 | Spring washer |
| 22 | 827086007 | Feed adjusting arm screw |
| 23 | 000115906 | Setscrew |
| 24 | 650092002 | Feed shaft bushing (rear) |
| 25 | 827614033 | Shuttle race unit |
| 26 | 820123006 | Shuttle race shaft |
| 27 | 820124007 | Oil string (1) |
| 28 | 820125008 | Oil string (2) |
| 29 | 000038409 | Washer |
| 30 | 650623008 | Shuttle body unit |
| 31 | 627191000 | Hook bottom plate |
| 32 | 820374004 | Setscrew |
| 33 | 627192001 | Washer |
| 34 | 625102008 | Washer |
| 35 | 827040009 | Hook gear cover |
| 36 | 823106002 | Race set plate |
| 37 | 000107204 | Setscrew |
| 38 | 650094004 | Shuttle race shaft base |
| 39 | 000081005 | Setscrew |
| 40 | 650171006 | Set plate |
| 41 | 000070506 | Washer |
| 42 | 000101404 | Setscrew |
| 43 | 627190010 | Magnet |
| 44 | 650172007 | Hinge screw |



| REF NO. | PART NO. | NAME |
|---------|-----------|---|
| 1 | 841610000 | Stepping motor (zigzag) unit |
| 2 | 827054006 | Connecting arm |
| 3 | 000002105 | Snap ring |
| 4 | 830543100 | Sensor unit |
| 5 | 000081005 | Setscrew |
| 6 | 829505003 | Transformer unit for U.S.A. & Canada |
| | 829508006 | Transformer unit for Great Britain, Australia & Continental Europe |
| 7 | 000115205 | Setscrew |
| 8 | 829020009 | Transformer supporter for U.S.A. & Canada |
| 9 | 827628018 | Motor unit |
| 10 | 000115700 | Setscrew |
| 11 | 827623304 | Print board C unit for U.S.A. |
| | 827626119 | Print board C unit for Canada |
| | 827626201 | Print board C unit for Great Britain, Australia & Continental Europe |
| 12 | 000161206 | Setscrew |
| 13 | 652611009 | Idler |
| 14 | 841514003 | Machine socket unit for U.S.A. & Canada |
| | 841515004 | Machine socket unit for Great Britain, Australia & Continental Europe |
| 15 | 000121204 | Setscrew |
| 16 | 000103509 | Setscrew |
| 17 | 827506008 | Bobbin winder unit |
| 18 | 647018004 | Rubber ring |
| 19 | 823119008 | Spring |
| 20 | 829011007 | Switch lever |
| 21 | 000161103 | Setscrew |
| 22 | 652093009 | Hinge screw |
| 23 | 829021000 | Bobbin winder cover |
| 24 | 830145005 | Declutch arm |
| 25 | 625215005 | Spring |
| 26 | 625214004 | Hinge screw |
| 27 | 827080104 | Belt cover |
| 28 | 000104119 | Setscrew |
| 29 | 827085017 | Belt cover set plate |
| 30 | 000053008 | Cord binding |
| 31 | 827081002 | Cord guide |
| 32 | 000101404 | Setscrew |
| 33 | 000117908 | Fuse AC 125V, 2.5A for U.S.A. & Canada |
| | 000143693 | Fuse AC 250V, 2.0A for Great Britain, Australia & Continental Europe |
| 34 | 000182177 | Fuse AC 250V, 3.15A for U.S.A. |
| | 000182801 | Fuse AC 250V, 3.15A for Canada |
| | 000144199 | Fuse AC 250V, 5.0A for Great Britain, Australia & Continental Europe |



1



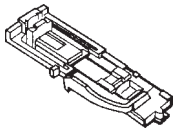
2



3



4



5



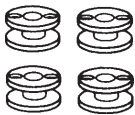
6



7



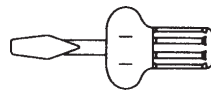
8



9



10



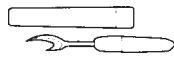
11



12



13



14



15



16



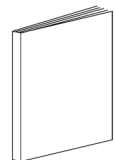
17



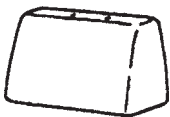
18



19



20



21

| REF NO. | PART NO. | NAME |
|---------|-----------|--|
| 1 | 820809014 | Hemmer foot (D) |
| 2 | 822801001 | Overedge foot (c) |
| 3 | 829801002 | Zipper foot (E) |
| 4 | 822804118 | Satin stitch foot (F) |
| 5 | 753801004 | Automatic buttonhole foot (R) |
| 6 | 825817009 | Blind hem stitch foot (G) |
| 7 | 820819006 | Cording foot (H) |
| 8 | 802422002 | Quilter |
| 9 | 102261000 | Plastic bobbin |
| 10 | 540401026 | Needle set |
| 11 | 820832005 | Large screwdriver |
| 12 | 802424004 | Lint brush. |
| 13 | 625031500 | Additional spool pin |
| 14 | 647808009 | Seam ripper/buttonhole opener |
| 15 | 102403109 | Spool pin felt |
| 16 | 829803004 | Spool stand |
| 17 | 822019509 | Spool holder (small) |
| 18 | 653524007 | Power supply cord for U.S.A. & Canada |
| | 830314018 | Power supply cord for Australia |
| | 830335004 | Power supply cord for Continental Europe |
| | 830377008 | Power supply cord for Great Britain |
| 19 | 033570318 | Foot controller (C-1021) |
| 20 | 840800257 | Instruction book (English) |
| | 840800268 | Instruction book (French) |
| | 840800279 | Instruction book (Spanish) |
| | 840800327 | Instruction book (Norwegian) |
| | 840800327 | Instruction book (Chinese) |
| 21 | 479701004 | Resin cover |