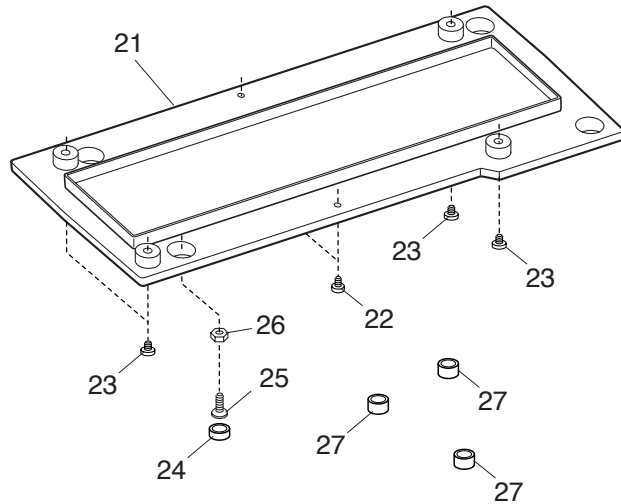
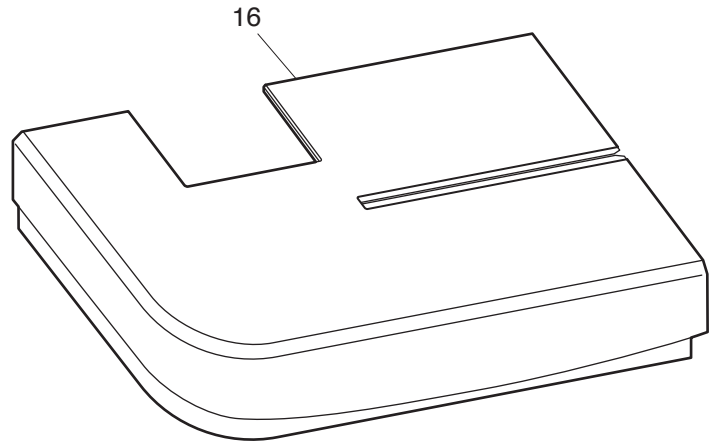
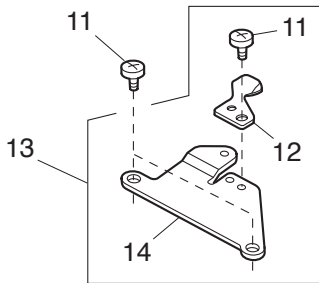
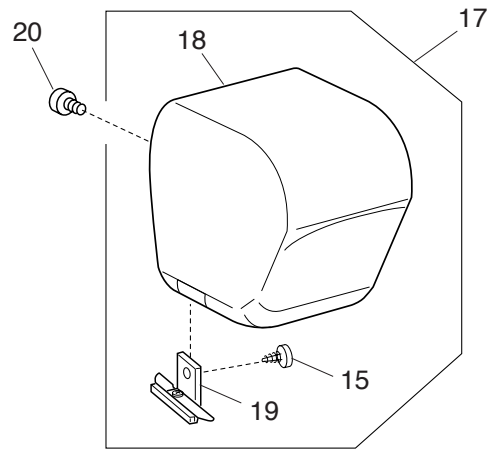
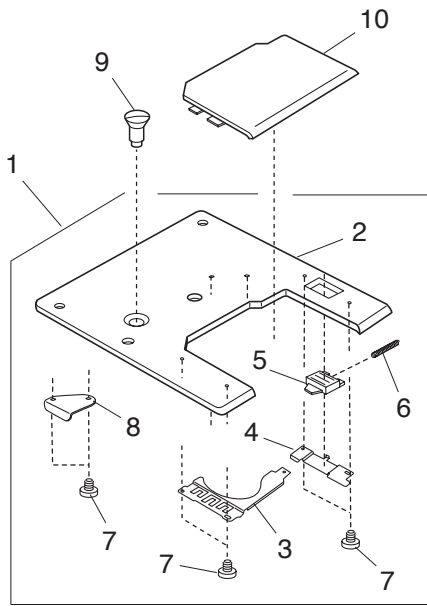


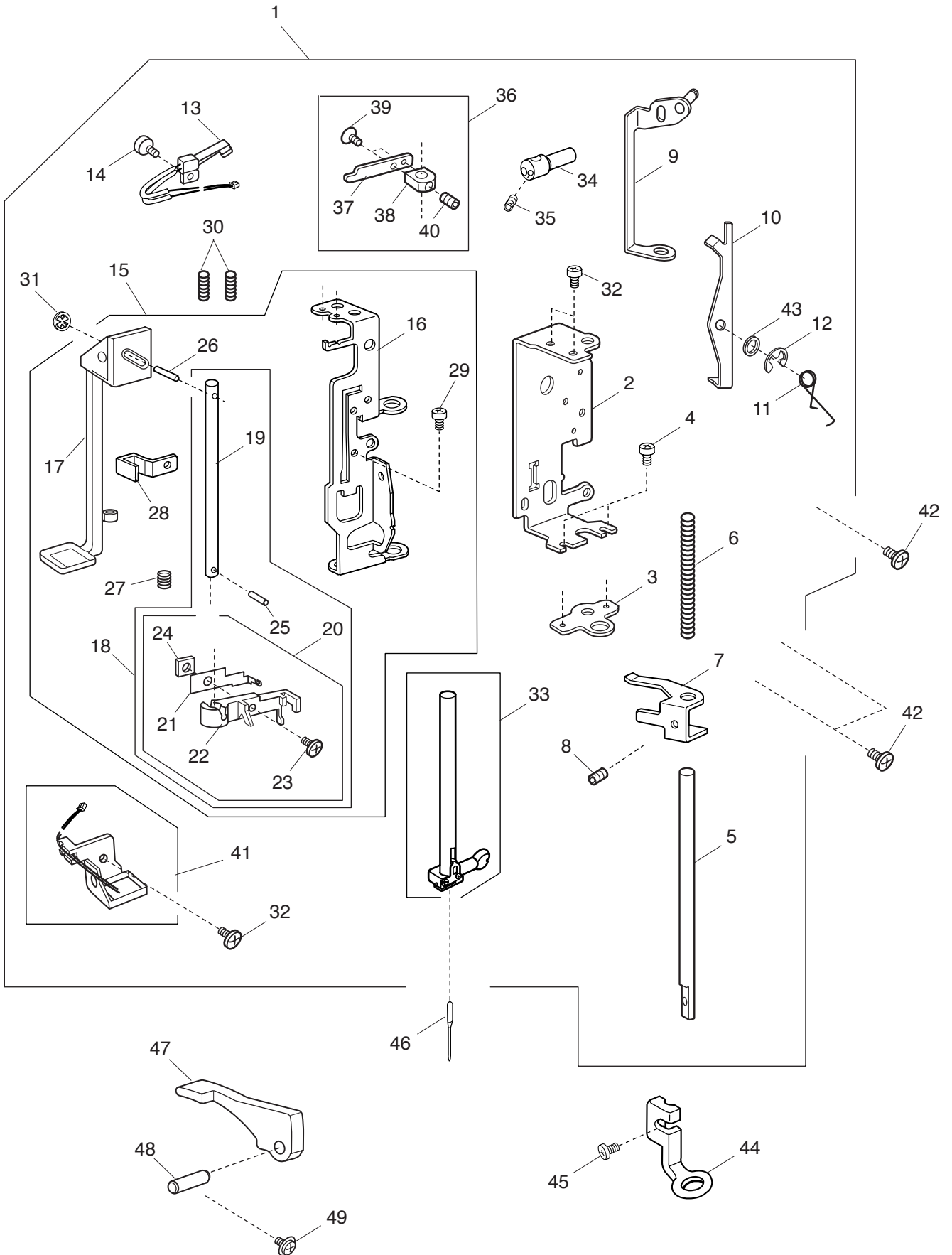
PARTS LIST



PARTS LIST

KEY NO.	PARTS NO.	DESCRIPTION
1	852603107	Needle plate (unit)
2	852005103	Needle plate
3	832235010	Hook cover plate supporter (left)
4	825015010	Hook cover plate supporter (right)
5	825016000	Hook cover plate release button
6	825017001	Spring
7	000169709	Setscrew 2x2.3
8	654078004	Rotation stopper
9	681009101	Needle plate setscrew
10	825018035	Hook cover plate
11	810220106	Setscrew
12	827011001	Stopper
13	856601004	Needle plate set plate (unit)
14	856004001	Needle plate set plate (left)
15	000161103	Setscrew 3x6
16	856520008	Bed cover (unit)
17	856605008	Face plate (unit)
18	856011104	Face plate
19	832508006	Thread cutter (unit)
20	000103107	Setscrew 4x14
21	856010000	Bottom cover
22	000151904	Setscrew 3x10
23	000081005	Setscrew 4x8
24	735002001	Rubber cushion
25	000097808	Setscrew 5x25
26	000061412	Hexagonal nut 5-3-8
27	739064003	Rubber cushion

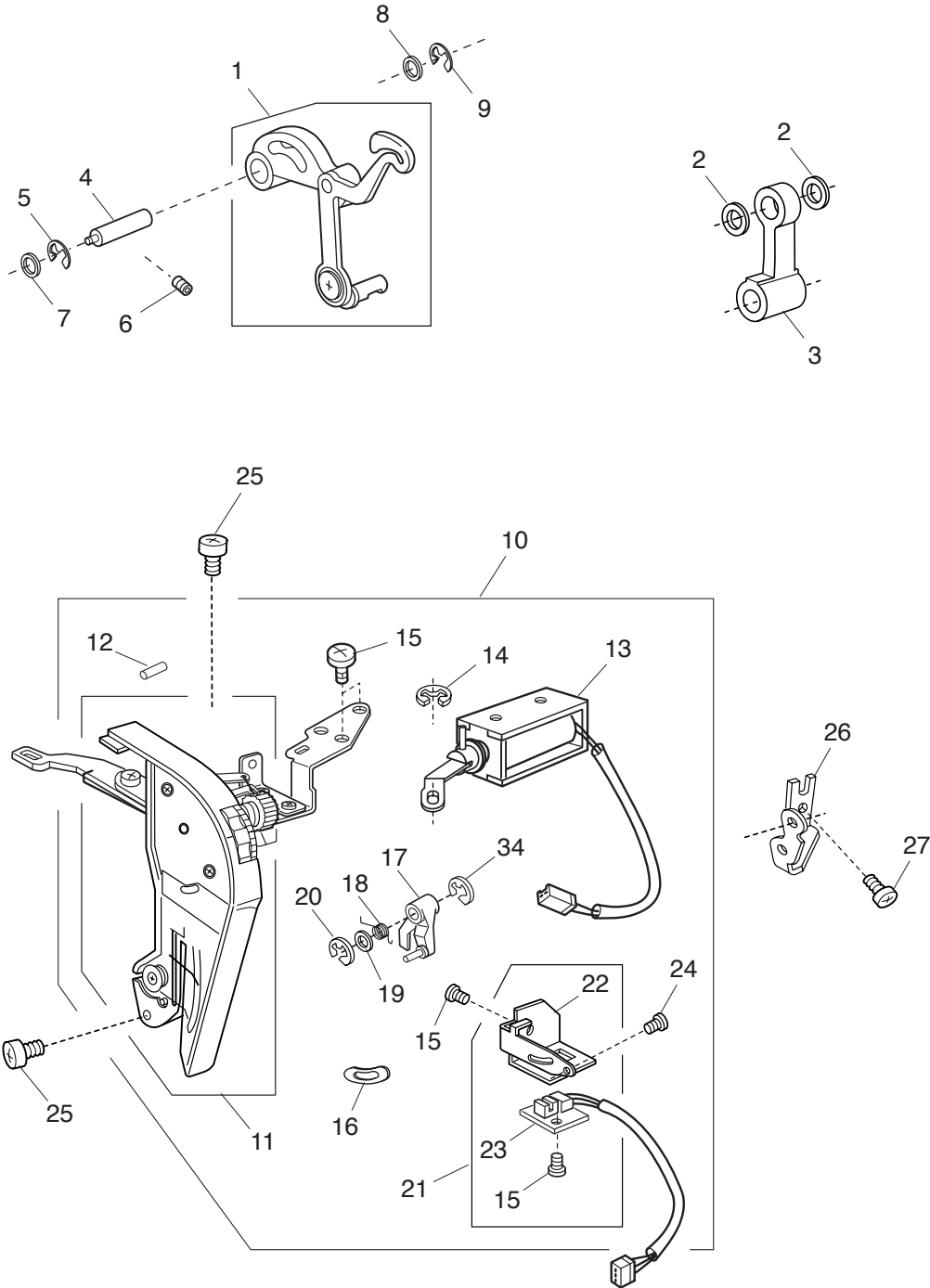
PARTS LIST



PARTS LIST

KEY NO.	PARTS NO.	DESCRIPTION
1	856606009	Needle bar supporter plate (unit)
2	856013003	Needle bar supporter plate
3	856014004	Needle drop adjusting plate
4	000101507	Setscrew 3.5x5
5	856015005	Presser bar
6	856016006	Presser bar spring
7	856017007	Presser bar supporter
8	000111500	Hexagonal socket screw 4x8
9	856018008	Presser bar guide plate
10	856019009	Tension release lever
11	856020003	Tension release lever spring
12	000002507	Snap ring E-4
13	856501003	Switch (unit)
14	000081706	Setscrew 2.5x5
15	856607000	Needle threader (unit)
16	856021004	Needle bar supporter
17	856079007	Threader lever
18	661617106	Threader shaft (unit)
19	660100005	Threader shaft
20	857604011	Threader plate (unit)
21	857039101	Threader plate
22	857038018	Threader supporter
23	755096004	Setscrew
24	755095003	Nut
25	000003508	Spring pin 2x8
26	000125105	Pin with groove 2x16-CH
27	661027000	Threader spring
28	661026009	Threader lever supporter
29	000101105	Setscrew 3x4
30	661018008	Threader spring
31	000014100	Snap ring CS-2
32	000101404	Setscrew 4x6
33	830609703	Needle bar (unit)
34	751047008	Needle bar supporter
35	000111201	Hexagonal socket screw 4x4
36	856608001	Needle threader setting plate (unit)
37	856022005	Needle threader setting plate
38	734102009	Needle threader setting base
39	000097602	Setscrew 2x4
40	000111902	Hexagonal socket screw 3x4
41	856626005	Printed circuit board L (unit)
42	000081005	Setscrew 4x8
43	000255002	Washer 5
44	856023006	Presser foot
45	000104201	Setscrew 3.5x10
46	813404013	Needle
47	856012002	Presser bar lifter
48	822072005	Presser bar lifter pin
49	000115629	Setscrew 4x8

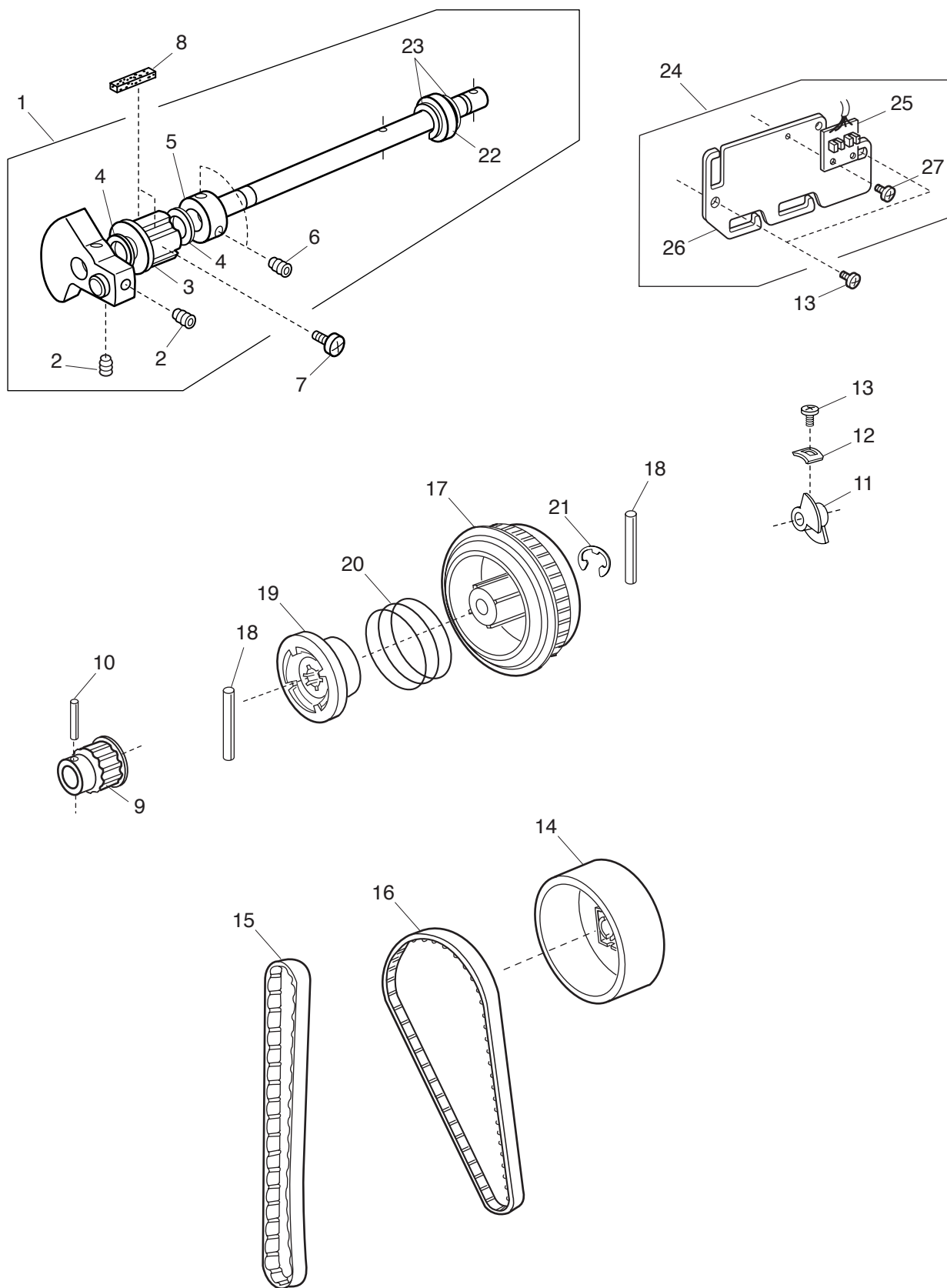
PARTS LIST



PARTS LIST

KEY NO.	PARTS NO.	DESCRIPTION
1	660631103	Thread take-up lever (unit)
2	000036902	Washer FT80
3	639016007	Needle bar crank rod
4	660058007	Pin
5	000002806	Snap ring E-6
6	000111201	Hexagonal socket screw 4x4
7	000037800	Washer FT40
8	660061003	Washer
9	000002105	Snap ring E-3
10	856609002	Thread tension (unit)
11	856502004	Thread tension (unit)
12	000024505	Spring pin 1.6x18
13	856610006	Solenoid (unit)
14	000002105	Snap ring E-3
15	000101105	Setscrew 3x4
16	853037004	Cushion
17	830660001	Thread detection lever (unit)
18	834193000	Detection lever spring
19	000071013	Washer 4
20	000001207	Snap ring E-2.5
21	852607101	Sensor base plate (unit)
22	852012000	Sensor fixing plate
23	852502806	Printed circuit board G1 (unit)
24	000161103	Setscrew 3x6
25	000081005	Setscrew 4x8
26	639080002	Front cover set plate
27	000101404	Setscrew 4x6

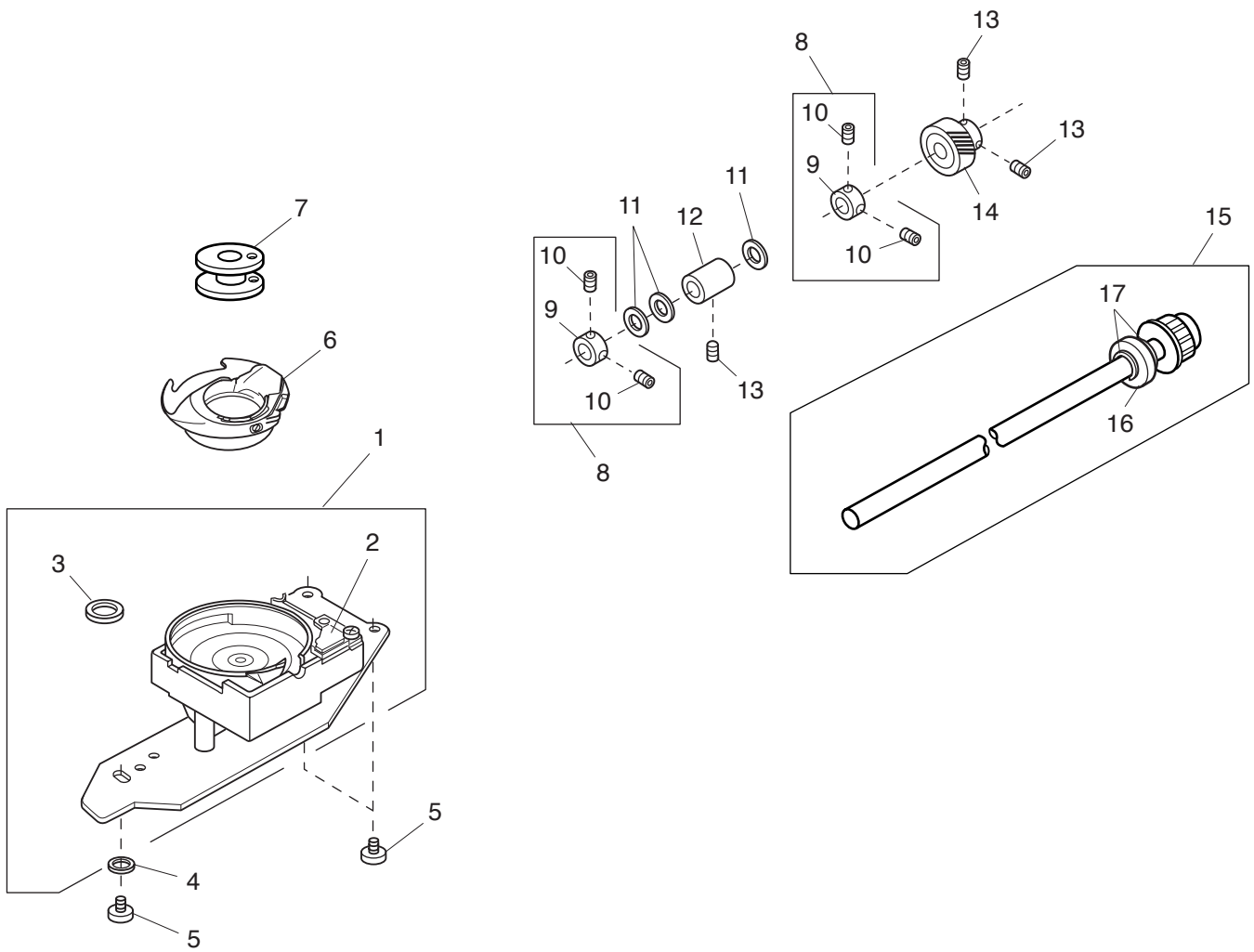
PARTS LIST



PARTS LIST

KEY NO.	PARTS NO.	DESCRIPTION
1	856611007	Upper shaft (unit)
2	000110901	Hexagonal socket screw 5x4
3	829042007	Upper shaft front bushing
4	000036717	Washer FT102
5	639095000	Ring
6	000111304	Hexagonal socket screw 5x5
7	000101301	Setscrew 5x10
8	731384008	Felt
9	660103008	Upper shaft timing gear
10	000020501	Spring pin 3x22
11	806010005	Upper shaft shield plate
12	820102009	Washer
13	000081005	Setscrew 4x8
14	502068306	Hand wheel
15	650071016	Timing belt
16	653139023	Timing belt
17	303025009	Belt wheel
18	000024206	Spring pin 3x30
19	502064003	Clutch ring
20	661024007	Clutch spring
21	000030205	Snap ring E-8
22	000208505	Ball bearing 6800ZZ
23	000032609	Snap ring 5103-37
24	856625004	Upper shaft sensor (unit)
25	843505801	Printed circuit board P (unit)
26	856072000	Upper shaft sensor fixing plate
27	000101105	Setscrew 3x4

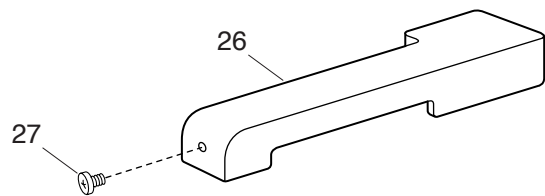
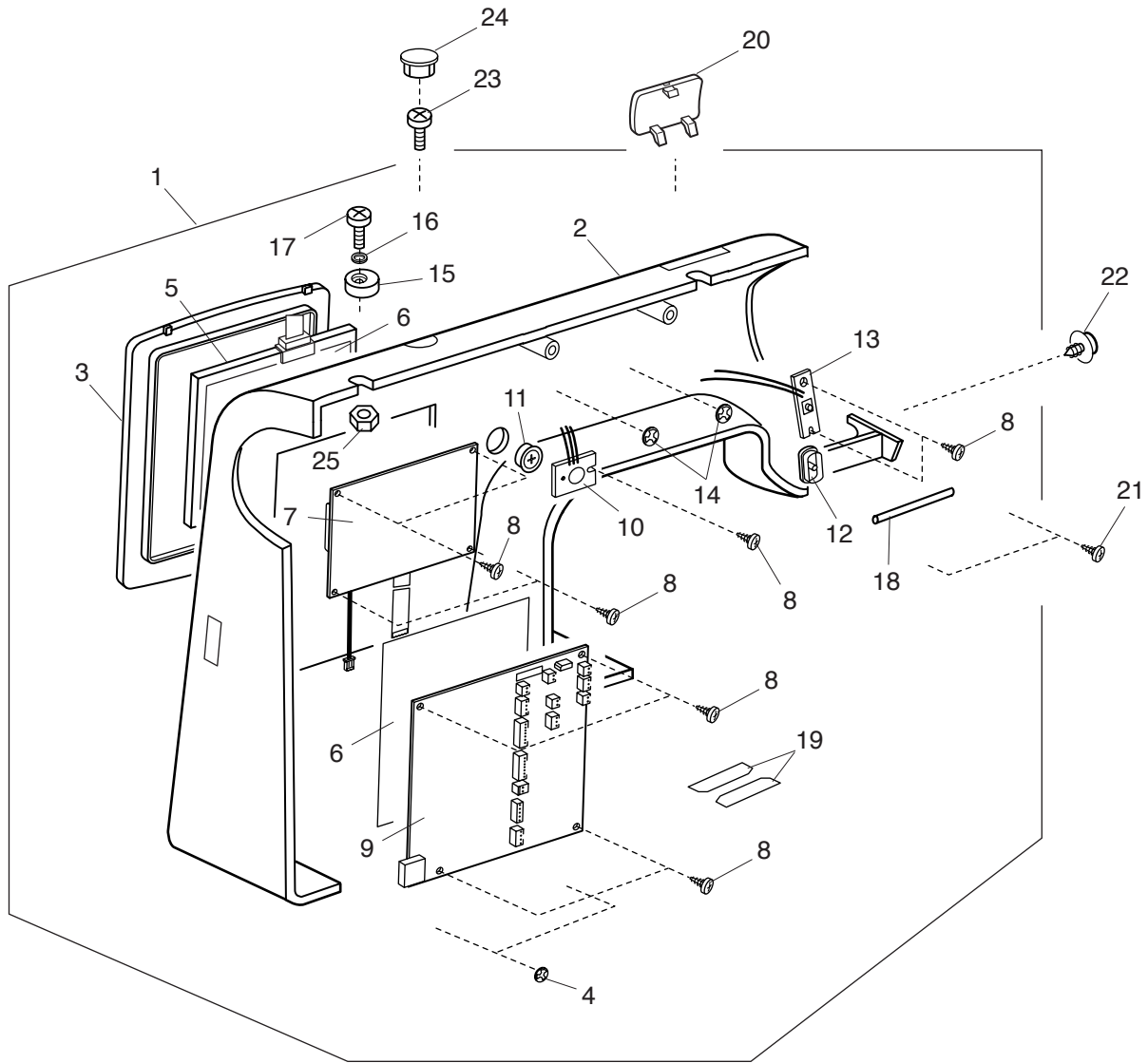
PARTS LIST



PARTS LIST

KEY NO.	PARTS NO.	DESCRIPTION
1	856613009	Hook race (unit)
2	627567001	Bobbin holder stopper (unit)
3	627190010	Magnet
4	000070506	Washer 4
5	000081005	Setscrew 4x8
6	627569405	Bobbin holder (unit)
7	102261103	Bobbin
8	820672005	Lower shaft ring (unit)
9	820166001	Lower shaft ring
10	000111201	Hexagonal socket screw 4x4
11	000038502	Washer 8x0.5
12	650078002	Lower shaft bushing (front)
13	000111304	Hexagonal socket screw 5x5
14	650076000	Lower shaft gear
15	856612008	Lower shaft (unit)
16	000219808	Ball bearing 698ZZ
17	000032403	Snap ring 5103-31

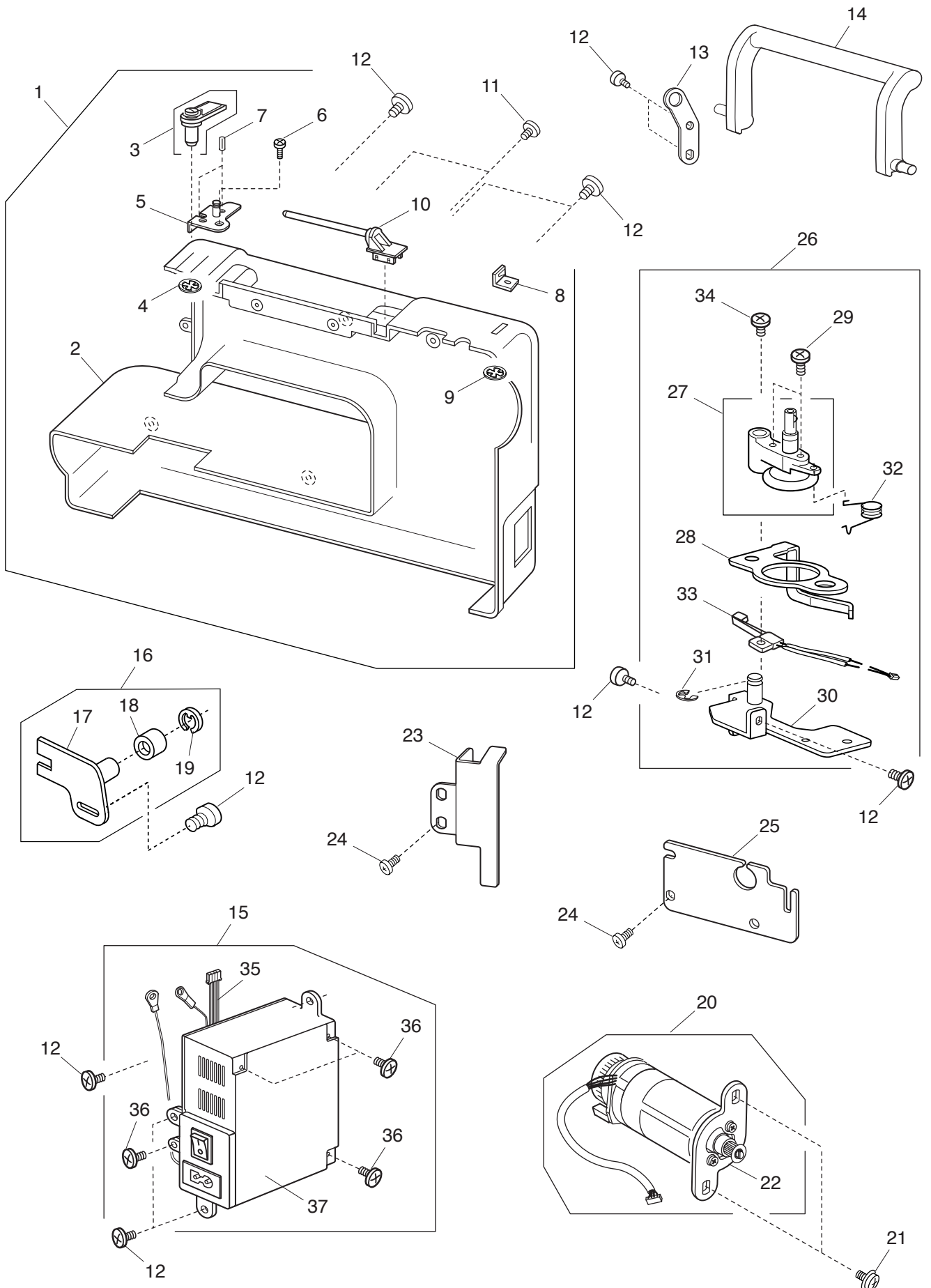
PARTS LIST



PARTS LIST

KEY NO.	PARTS NO.	DESCRIPTION
1	856614000	Front cover (unit)
2	856032101	Front cover
3	856033102	Touch panel frame
4	000014007	Snap ring CS-4
5	856503005	Touch panel (unit)
6	856034000	Touch panel sheet
7	856504006	LCD (unit)
8	000120203	Setscrew 3x8
9	856505007	Printed circuit board A (unit)
10	856506008	Printed circuit board Z (unit)
11	770397005	LCD brightness adjusting knob
12	856035104	Start/stop button
13	856507009	Printed circuit board F (unit)
14	000014306	Snap ring CS-3
15	735016307	Bobbin winder stopper
16	000071013	Washer 4
17	000101828	Setscrew 4x16
18	639075004	Thread guide
19	856036002	Sheet 2
20	856037003	Front cover cap
21	000160607	Setscrew 3x16
22	000115205	Setscrew 4x6
23	000101806	Setscrew 4x16
24	653006101	Cap
25	000061205	Hexagonal nut 4-3-7
26	856065103	Carriage cover
27	000103808	Setscrew 3x5

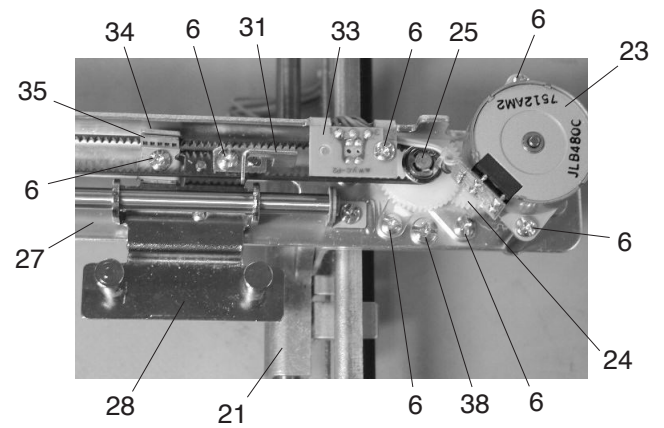
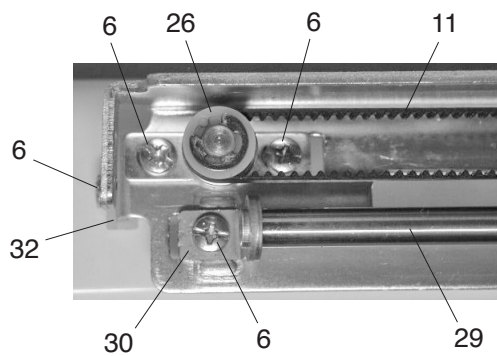
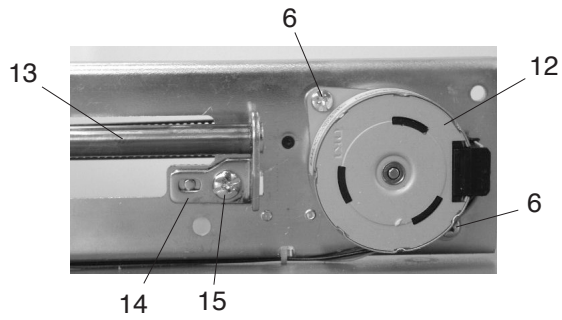
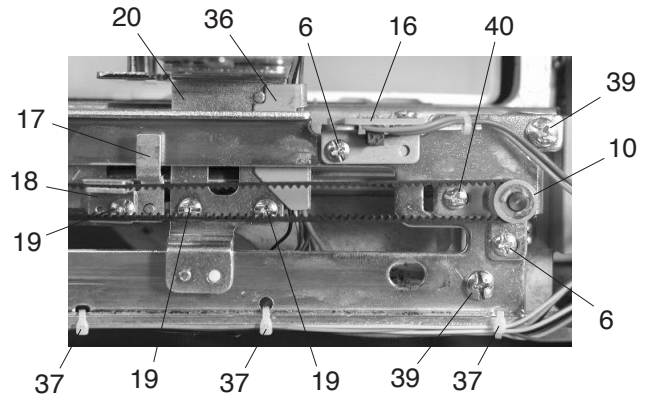
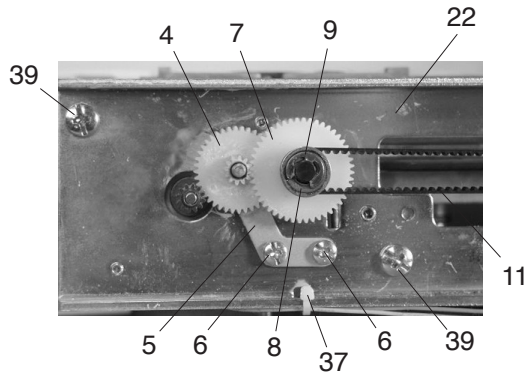
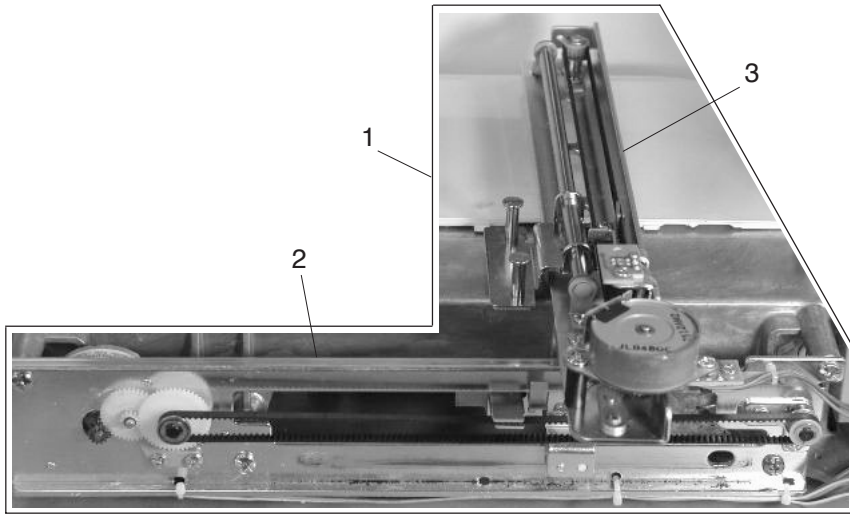
PARTS LIST



PARTS LIST

KEY NO.	PARTS NO.	DESCRIPTION
1	856602005	Rear cover (unit)
2	856005105	Rear cover
3	856603006	Thread guide (unit)
4	000014409	Snap ring CS-8
5	834122101	Top cover thread guide
6	000162001	Setscrew 2.6x5
7	000020109	Spring pin 2x8
8	840602109	Thread cutter (unit)
9	000014306	Snap ring CS-3
10	856007004	Spool pin
11	000170507	Setscrew 4x12
12	000081005	Setscrew 4x8
13	856002009	Handle base plate
14	856003000	Handle
15	856624003	Switching power supply (unit)
	856624106	Switching power supply (unit) (for Australia)
16	660609009	Idler (unit)
17	660018005	Idler plate
18	625217100	Idler
19	000002806	Snap ring E-6
20	856627006	DC motor (unit)
21	000115504	Setscrew 5x10
22	856074002	DC motor bracket
23	856075003	Cord guide 1
24	000101404	Setscrew 4x6
25	856076004	Cord guide 2
26	856622001	Bobbin winder (unit)
27	856517002	Bobbin winder (unit)
28	856068003	Clutch release plate
29	000120203	Setscrew 3x8
30	856069004	Bobbin winder base plate
31	000001609	Snap ring E-5
32	505071002	Bobbin winder spring
33	856512007	Switch (unit)
34	000081706	Setscrew 2.5x5
35	856515000	Harness (unit)
36	000161309	Setscrew 3x12
37	856070008	Switching power supply case

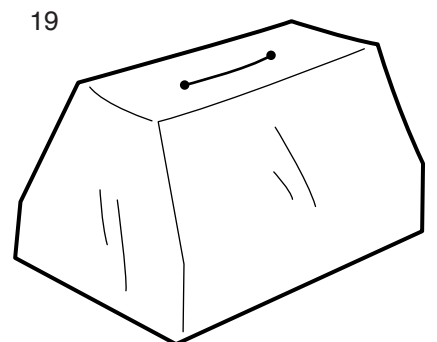
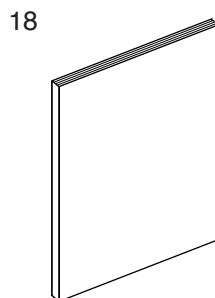
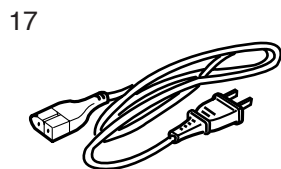
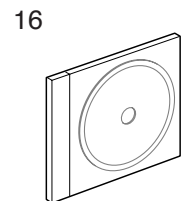
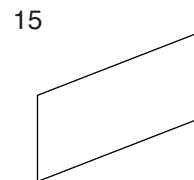
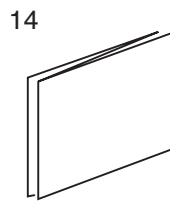
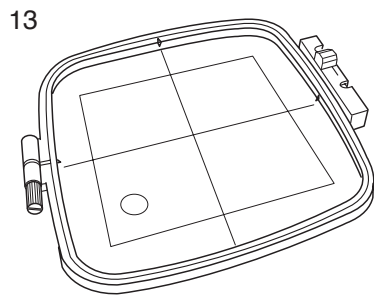
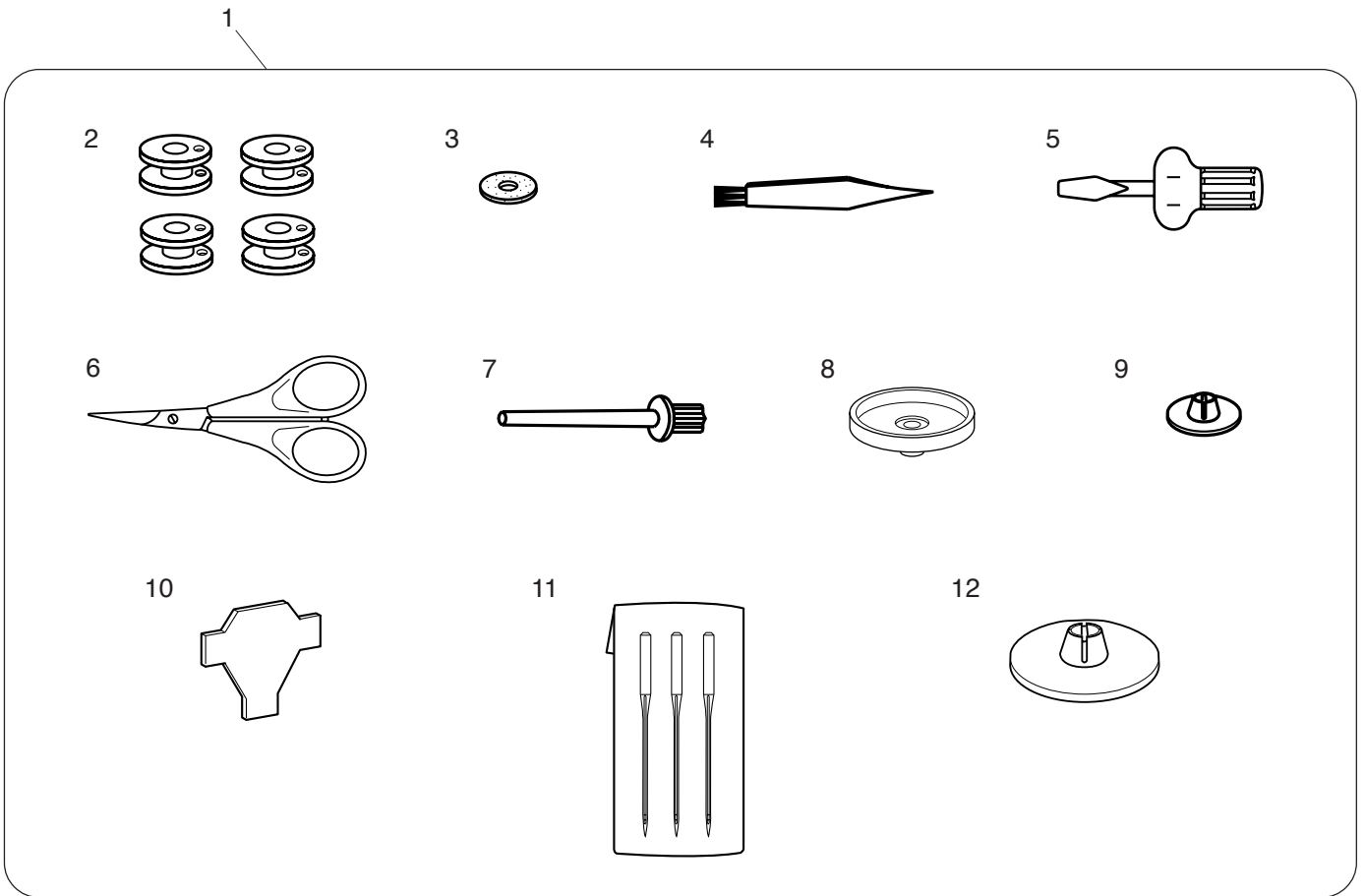
PARTS LIST



PARTS LIST

KEY NO.	PARTS NO.	DESCRIPTION
1	856615001	Carriage (unit)
2	856616002	X-carriage (unit)
3	856619005	Y-carriage (unit)
4	856040009	Idler gear
5	856041000	Idler gear set plate
6	000103808	Setscrew 3x5
7	856042001	Drive gear
8	000071116	Washer 5
9	000002507	Snap ring E-4
10	856618004	X-pulley (unit)
11	856044003	Timing belt
12	856508000	Stepping motor (unit)
13	856061006	X-shaft
14	856062007	X-shaft set plate
15	000103705	Setscrew 4x5
16	856617003	X-sensor (unit)
17	856063008	X-belt fixing plate 1
18	856064009	X-belt fixing plate 2
19	000066705	Setscrew 3x8
20	856058000	Y-carriage base
21	856059001	Y-carriage guide
22	856038004	Carriage base
23	856510005	Stepping motor (unit)
24	856040009	Idler gear
25	856620009	Drive gear (unit)
26	856621000	Y-pulley (unit)
27	856045004	Y-carriage
28	856050002	Carriage plate
29	856051003	Y-shaft
30	856052004	Y-shaft fixing plate
31	856056008	Y-shield plate
32	856057009	Y-carriage supporter
33	843503418	Printed circuit board E2 (unit)
34	856054006	Y-belt fixing plate 1
35	856055007	Y-belt fixing plate 2
36	856060005	Cord cover
37	000053008	Cord binder
38	000103705	Setscrew 4x5
39	000081005	Setscrew 4x8
40	000101105	Setscrew 3x4

PARTS LIST



PARTS LIST

KEY NO.	PARTS NO.	DESCRIPTION
1	856870006	Accessory (unit)
2	102261103	Bobbin
3	102403109	Felt
4	802424004	Lint brush
5	820832005	Screwdriver
6	803813007	Scissors
7	625031500	Spool pin
8	829803004	Spool holder base
9	822019509	Spool holder (small)
10	653802002	Screwdriver
11	852802108	Needle set (unit)
12	822020503	Spool holder (large)
13	856801006	Embroidery hoop (unit)
14	856803008	Template sheet (unit)
15	856804009	Caution card
16	856805000	Instructional movie CD-ROM
17	860539003	Power supply cord (unit)
	830314018	Power supply cord (unit) (220V)
18	856800005	Instruction book (English)
	856800016	Instruction book (French)
	856800027	Instruction book (Spanish)
	856800038	Instruction book (Dutch)
	856800049	Instruction book (German)
19	856802007	Dust cover