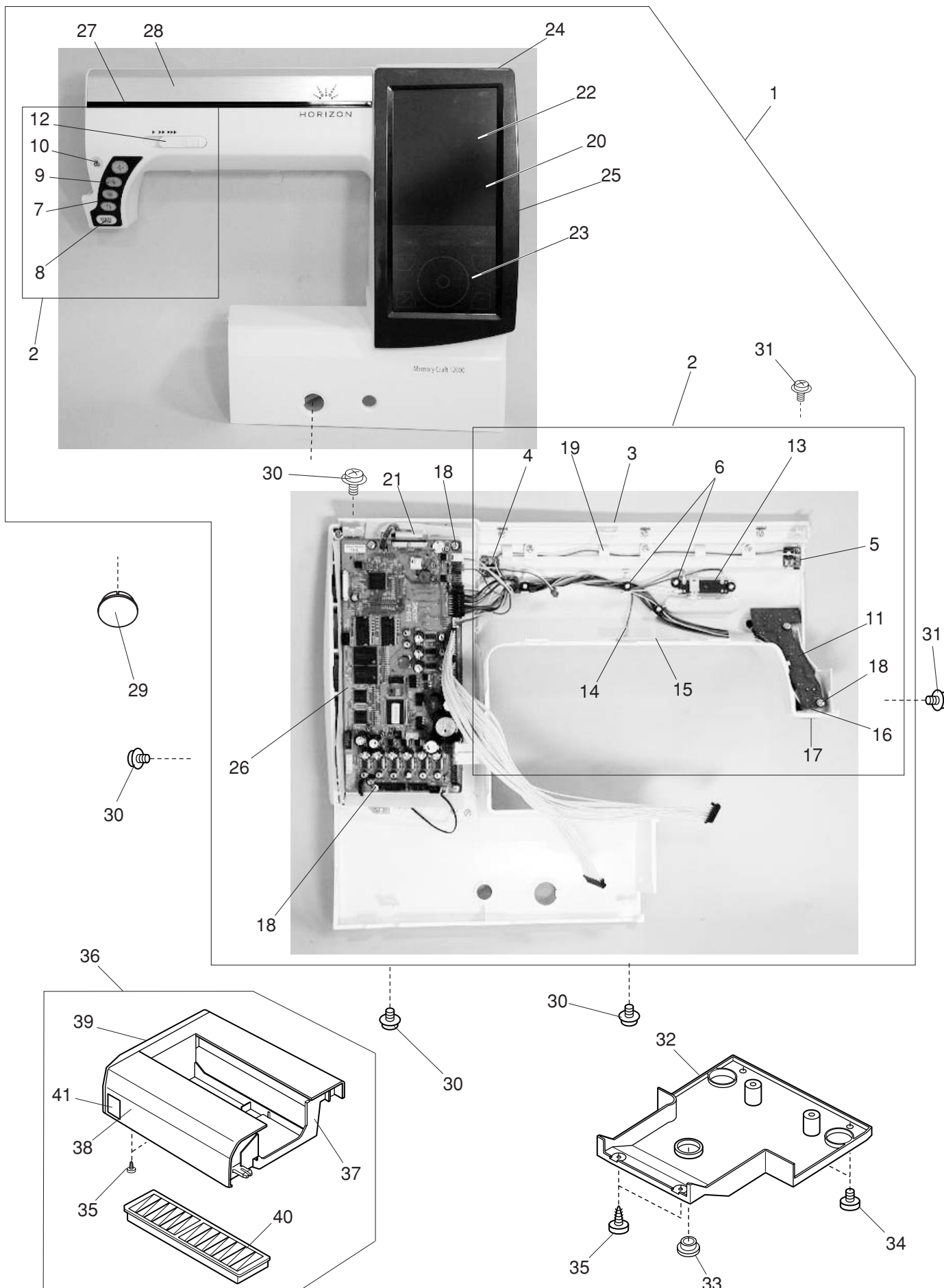


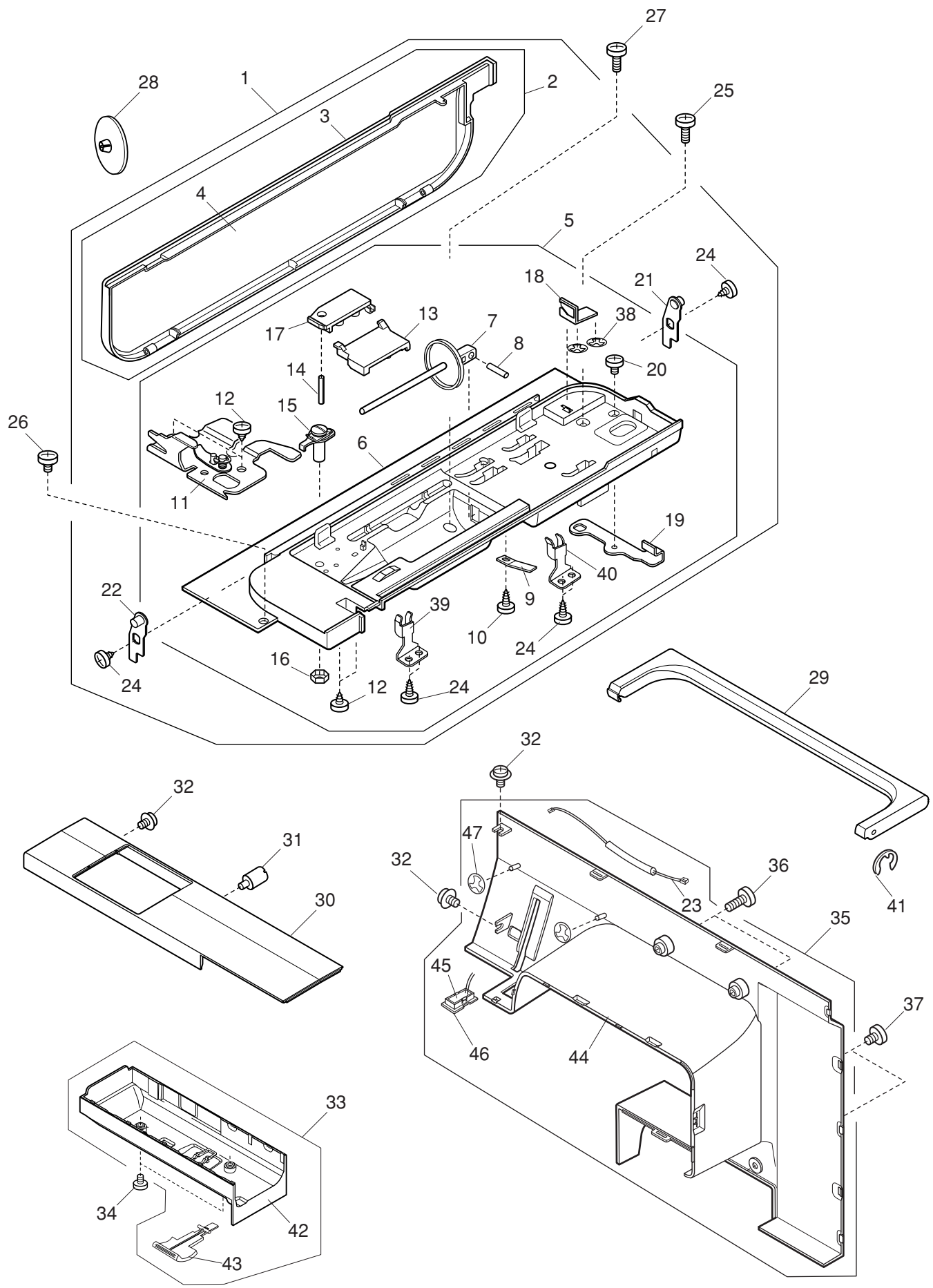
PARTS LIST



PARTS LIST

| KEY NO. | PARTS NO. | DESCRIPTION |
|------------|--------------|---|
| 1 | 859674007 | Front cover (unit) |
| 2 | 859675008 | Front cover (unit) |
| 3 | 859124100 | Front cover |
| 4 | 859514008 | Printed circuit board L4 (unit) (green) |
| 5 | 859514101 | Printed circuit board L4 (unit) (brown) |
| 6 | 000014306 | Snap ring CS-3 |
| 7 | 859131007 | Button cover |
| 8 | 858102109 | Start/stop button |
| 9 | 859666006 | Function button (unit) |
| 10 | 859219103 | Button |
| 11 | 859515009 | Printed circuit board F (unit) |
| 12 | 858105009 | Slide volume |
| 13 | 653507266 | Slide volume (unit) |
| 14 | 859506007 | Printed circuit board L1 (unit) |
| 15 | 858106000 | LED cover 2 |
| 16 | 859525105 | Printed circuit board L2 (unit) |
| 17 | 860167006 | Lamp cover 2 |
| 18 | 000120203 | Setscrew 3x8 (B) |
| 19 | 859128001 | LED back cover |
| 20 | 859510004 | LCD (unit) |
| 21 | 859535005 | Flexible flat cable |
| 22 | 859512006 | Touch panel (unit) |
| 23 | 859125008 | Touch panel sheet |
| 24 | 859126009 | Decoration flame |
| 25 | 859127000 | Decoration panel |
| 26 | 859516000 | Printed circuit board A (unit) |
| 27 | 859129105 | LED decoration plate |
| 28 | 859130109 | Decoration plate (1) |
| 29 | 859216007 | Feed balancing dial cover |
| 30 | 000115205 | Setscrew TP 4x6 |
| 31 | 000114710 | Setscrew TP 3x6 |
| 32 | 858137000 | Bottom cover |
| 33 | 626045407 | Cap |
| 34 | 000081005 | Setscrew 4x8 |
| 35 | 000161206 | Setscrew 3x10 (B) |
| 36 | 859504005 | Extension table (unit) |
| 37 | 859042000 | Extension table |
| 38 | 859043001 | Extension table lid |
| 39 | 859044002 | Extension table cover |
| 40 | 859146005 | Foot tray |
| 41 | 859267003 | Sticker |

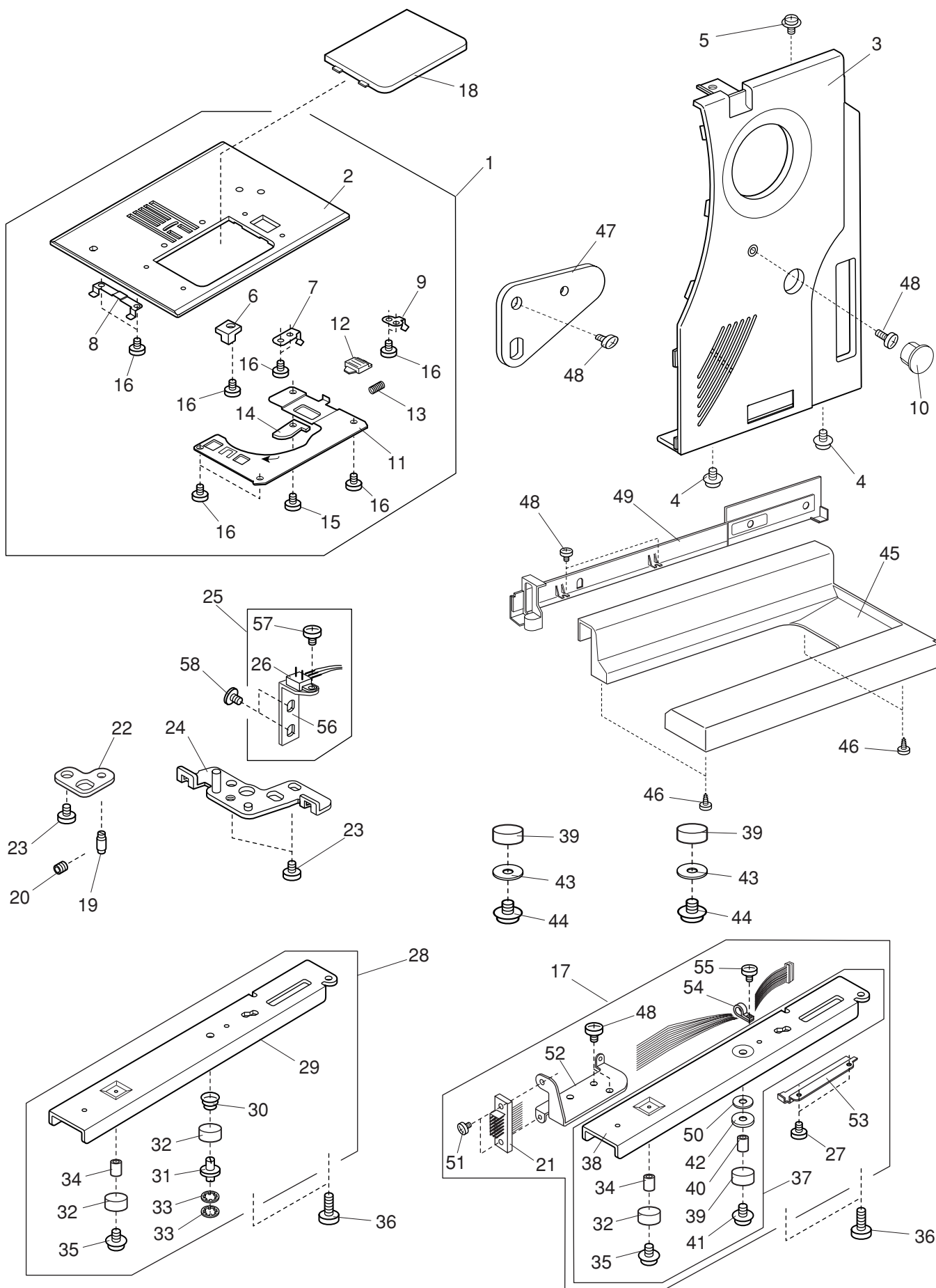
PARTS LIST



PARTS LIST

| KEY NO. | PARTS NO. | DESCRIPTION |
|------------|--------------|-----------------------------------|
| 1 | 859617002 | Top cover (unit) |
| 2 | 859618003 | Top cover (unit) |
| 3 | 859049007 | Top cover |
| 4 | 859050001 | Quick reference chart |
| 5 | 859619004 | Top cover body (unit) |
| 6 | 859051002 | Top cover body |
| 7 | 859052003 | Spool pin |
| 8 | 822017002 | Spool pin shaft |
| 9 | 822018003 | Spool pin spring |
| 10 | 000107204 | Setscrew 3x12 (B) |
| 11 | 859541004 | Thread guide (unit) |
| 12 | 000107307 | Setscrew 3x8 (B) |
| 13 | 859648002 | Thread guide cover (unit) |
| 14 | 000020202 | Spring pin |
| 15 | 830503005 | Bobbin winder thread guide (unit) |
| 16 | 000160102 | Adjustable lock nut 4 |
| 17 | 830011001 | Bobbin winder thread guide cover |
| 18 | 840602109 | Thread cutter (unit) |
| 19 | 830012013 | Bobbin winder stopper |
| 20 | 000103819 | Setscrew 3x5 |
| 21 | 858023002 | Top cover hinge (right) |
| 22 | 858023105 | Top cover hinge (left) |
| 23 | 859534004 | Cable |
| 24 | 000120203 | Setscrew 3x8 (B) |
| 25 | 000080901 | Setscrew 4x25 |
| 26 | 000066705 | Setscrew 3x8 |
| 27 | 000170507 | Setscrew 4x12 |
| 28 | 822020503 | Spool holder |
| 29 | 858024003 | Carrying handle |
| 30 | 859613008 | Free arm cover (unit) |
| 31 | 858165100 | Pin |
| 32 | 000115205 | Setscrew TP 4x6 |
| 33 | 859614009 | Bed cover (unit) |
| 34 | 000081005 | Setscrew 4x8 |
| 35 | 859615000 | Rear cover (unit) |
| 36 | 000104108 | Setscrew 4x20 |
| 37 | 000101404 | Setscrew 4x6 |
| 38 | 000017701 | Snap ring CS-3.5 |
| 39 | 859068002 | Top cover hinge (left) |
| 40 | 859137003 | Top cover hinge (right) |
| 41 | 000001609 | Snap ring E-5 |
| 42 | 859039004 | Bed cover |
| 43 | 859040008 | Lever |
| 44 | 859041102 | Rear cover |
| 45 | 859525208 | Printed circuit board L2 (unit) |
| 46 | 860167006 | Lamp cover 2 |
| 47 | 000014306 | Snap ring CS-3 |

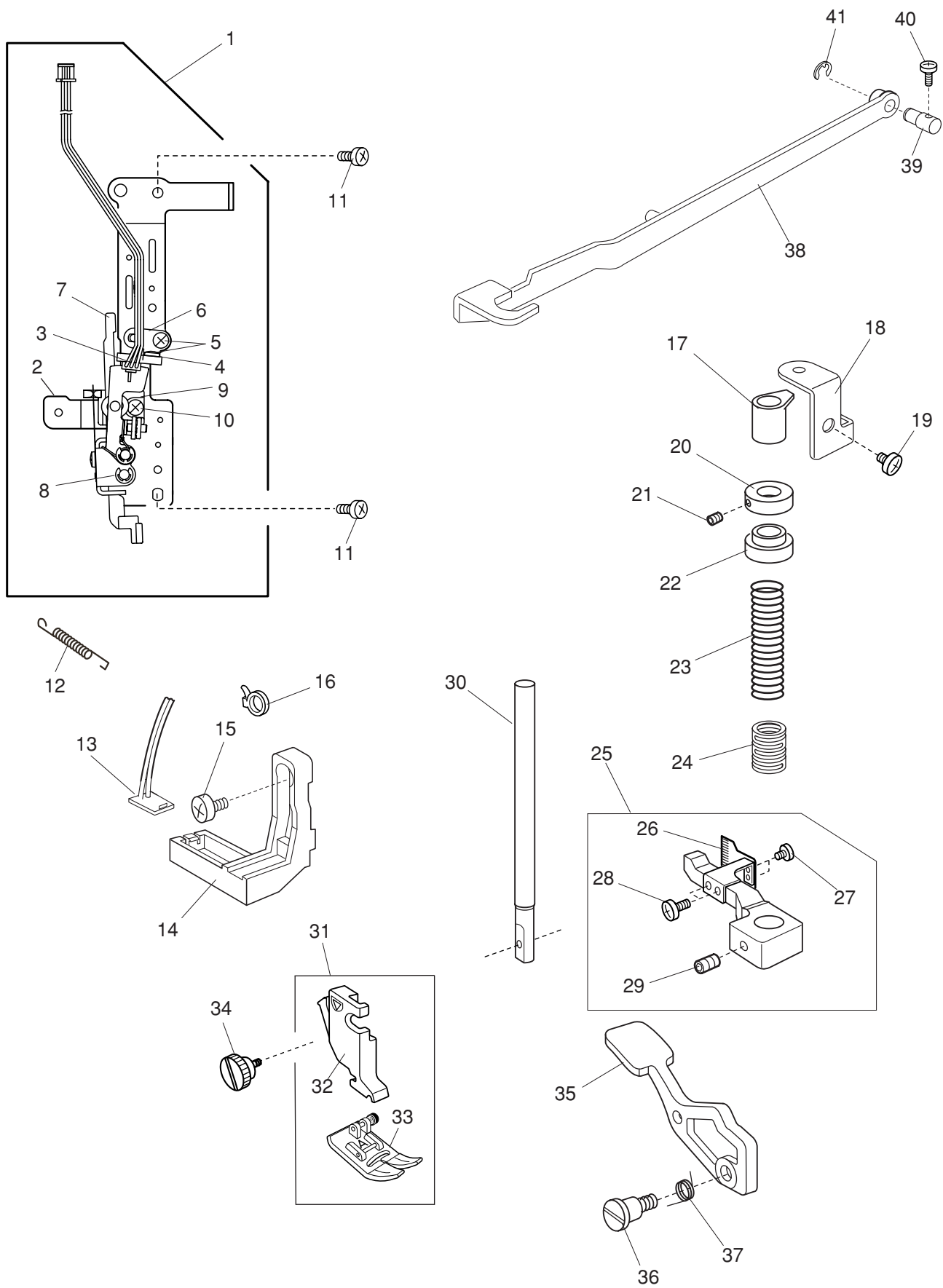
PARTS LIST



PARTS LIST

| KEY NO. | PARTS NO. | DESCRIPTION |
|------------|--------------|------------------------------------|
| 1 | 859616001 | Needle plate (unit) |
| 2 | 859045003 | Needle plate |
| 3 | 859136105 | Belt cover |
| 4 | 000115205 | Setscrew TP 4x6 |
| 5 | 000114710 | Setscrew TP 3x6 |
| 6 | 859046004 | Needle plate sensor block |
| 7 | 859047005 | Spring |
| 8 | 859048006 | Needle plate set plate |
| 9 | 859245005 | Spring 2 |
| 10 | 745033002 | Cap |
| 11 | 846030005 | Hook cover plate supporter |
| 12 | 825016000 | Hook cover plate release button |
| 13 | 825017001 | Spring |
| 14 | 809044203 | Rotation stopper |
| 15 | 000097613 | Setscrew 2x4 |
| 16 | 820374004 | Setscrew 2x2.3 |
| 17 | 859645009 | Connector (unit) |
| 18 | 846271103 | Hook cover plate |
| 19 | 860002002 | Needle plate positioning pin |
| 20 | 000111201 | Hexagonal socket screw 4x4 |
| 21 | 859519003 | Connector (unit) |
| 22 | 860003025 | Needle plate nut set plate |
| 23 | 810220106 | Setscrew |
| 24 | 859247007 | Needle plate adjusting plate |
| 25 | 859671004 | Needle plate sensor (unit) |
| 26 | 859524001 | Switch (unit) |
| 27 | 000103808 | Setscrew 3x5 |
| 28 | 858601000 | Arm sole (front cover side) (unit) |
| 29 | 858002005 | Arm sole |
| 30 | 858162004 | Spring |
| 31 | 820350004 | Adjusting screw |
| 32 | 605074008 | Rubber foot |
| 33 | 000014409 | Snap ring CS-8 |
| 34 | 000141107 | Bushing |
| 35 | 000119106 | Setscrew TP 4x10 |
| 36 | 000066808 | Setscrew 6x14 |
| 37 | 858601206 | Arm sole (unit) |
| 38 | 858002201 | Arm sole |
| 39 | 797363005 | Rubber foot |
| 40 | 000139709 | Bushing |
| 41 | 000115700 | Setscrew TP 4x10 |
| 42 | 858149005 | Spacer |
| 43 | 000070300 | Washer 5 |
| 44 | 784169009 | Rubber foot setscrew |
| 45 | 859035103 | Base cover |
| 46 | 000161206 | Setscrew 3x10 (B) |
| 47 | 858114001 | Belt cover retaining plate |
| 48 | 000081005 | Setscrew 4x8 |
| 49 | 859036001 | Cover |
| 50 | 000133106 | Washer 6 |
| 51 | 000080406 | Setscrew 4x10 |
| 52 | 859140009 | Connector set plate |
| 53 | 859249009 | Cord cover |
| 54 | 000188405 | Nylon clip |
| 55 | 000101404 | Setscrew 4x6 |
| 56 | 859246006 | Switch set plate |
| 57 | 755096004 | Setscrew |
| 58 | 000193001 | Setscrew TP 4x6 |

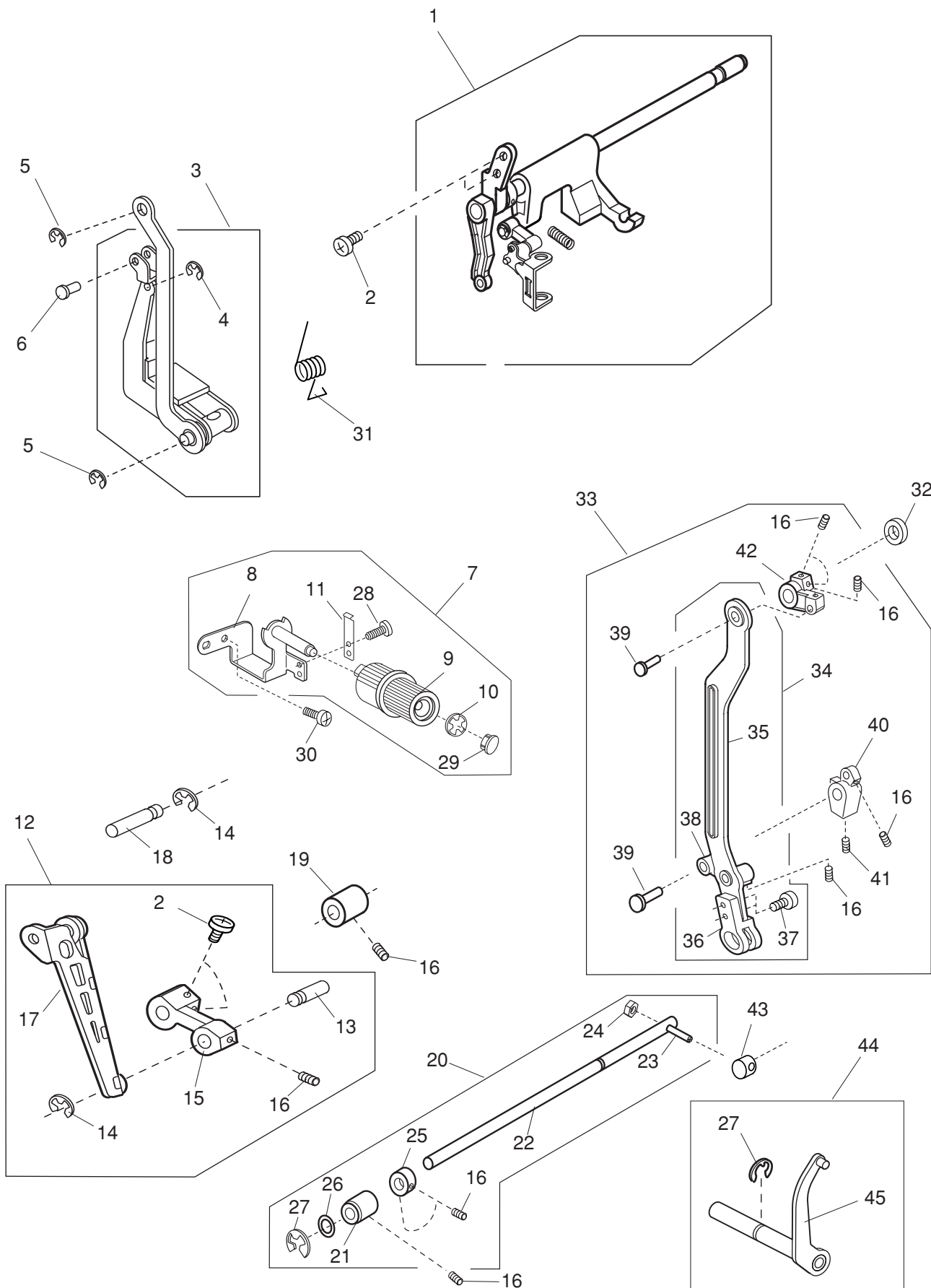
PARTS LIST



PARTS LIST

| KEY NO. | PARTS NO. | DESCRIPTION |
|------------|--------------|-------------------------------------|
| 1 | 859628006 | Front bracket (unit) |
| 2 | 858031003 | Front bracket |
| 3 | 852502219 | Printed circuit board G1 (unit) |
| 4 | 853028002 | Insulation sheet |
| 5 | 000101105 | Setscrew 3x4 |
| 6 | 846044002 | Sensor base plate |
| 7 | 843625107 | Buttonhole lever (unit) |
| 8 | 000002105 | Snap ring E-3 |
| 9 | 830057021 | Buttonhole lever guide |
| 10 | 000103808 | Setscrew 3x5 |
| 11 | 000081005 | Setscrew 4x8 |
| 12 | 844038018 | Needle bar supporter spring |
| 13 | 859525002 | Printed circuit board L2 (unit) |
| 14 | 859232009 | LED cover |
| 15 | 000078319 | Setscrew 3x6 |
| 16 | 000053008 | Cord binder |
| 17 | 652104004 | Presser bar bushing |
| 18 | 859075002 | Presser bar plate |
| 19 | 000103705 | Setscrew 4x5 |
| 20 | 859076003 | Presser foot lifter stopper |
| 21 | 000216805 | Setscrew 3x3 |
| 22 | 859077004 | Spring supporter |
| 23 | 859078005 | Presser bar spring |
| 24 | 859210001 | Spring supporter |
| 25 | 859624002 | Presser bar supporter (unit) |
| 26 | 859081001 | Shielding plate |
| 27 | 000098108 | Setscrew 2x3 |
| 28 | 000128603 | Setscrew 3x5 |
| 29 | 000111201 | Hexagonal socket screw 4x4 |
| 30 | 859082002 | Presser bar |
| 31 | 859508009 | Presser foot (unit) |
| 32 | 859801005 | Presser foot holder (unit) |
| 33 | 859802006 | Zigzag foot (unit) |
| 34 | 846380003 | Thumbscrew |
| 35 | 859027009 | Presser foot lifter lever |
| 36 | 859028000 | Setscrew |
| 37 | 859029001 | Spring |
| 38 | 859070007 | Automatic presser foot lifter lever |
| 39 | 859069003 | Presser foot lifter lever shaft |
| 40 | 000101703 | Setscrew 4x12 |
| 41 | 000002507 | Snap ring E-4 |

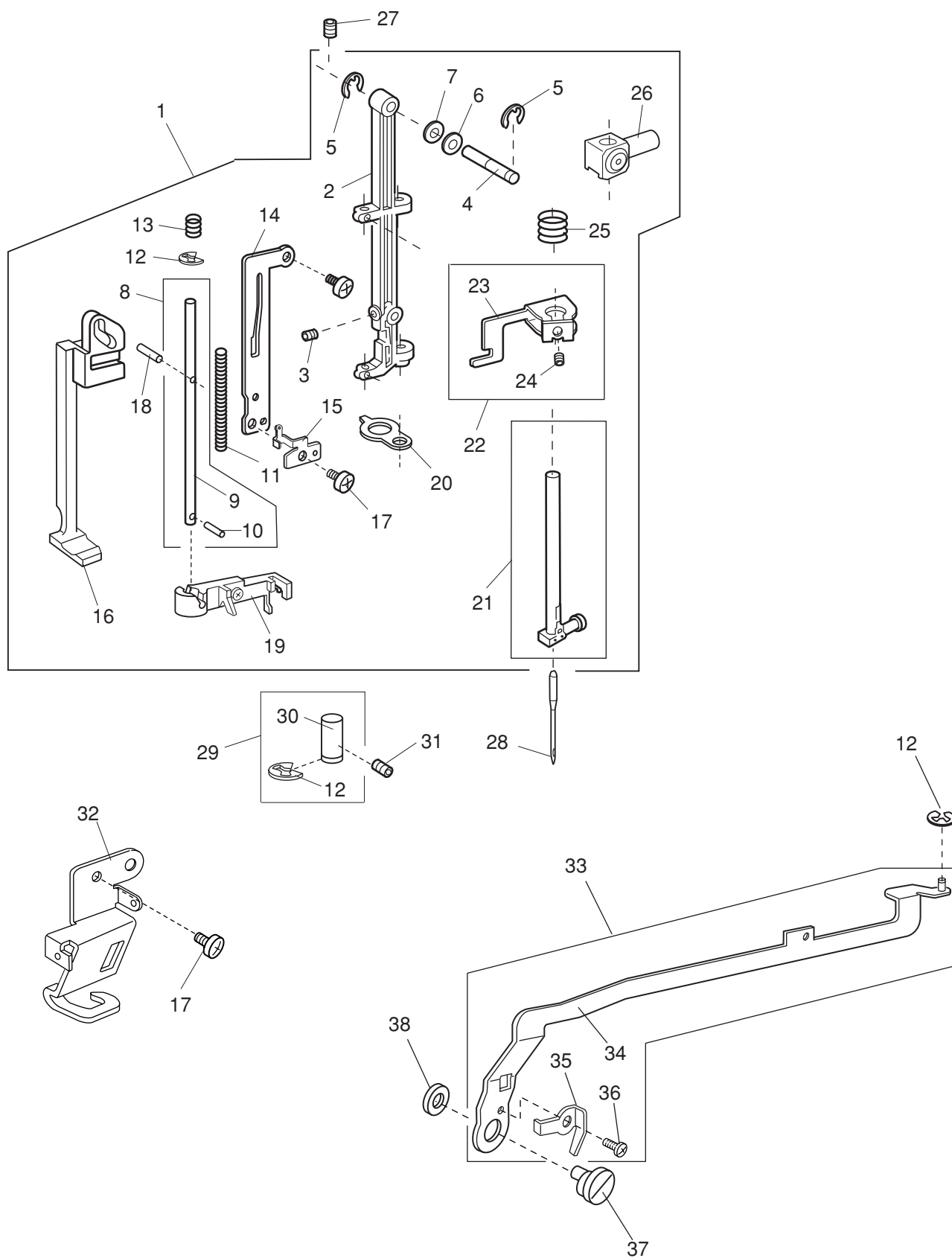
PARTS LIST



PARTS LIST

| KEY NO. | PARTS NO. | DESCRIPTION |
|------------|--------------|--|
| 1 | 859640004 | Upper feed upper shaft (unit) |
| 2 | 000103509 | Setscrew 4x10 |
| 3 | 859627005 | Upper feed foot (unit) |
| 4 | 000002116 | Snap ring E-3 |
| 5 | 000002105 | Snap ring E-3 |
| 6 | 846327002 | Pin (1) |
| 7 | 858625000 | Upper feed adjusting base plate (unit) |
| 8 | 858072006 | Upper feed adjusting base plate |
| 9 | 846351005 | Upper feed adjusting dial |
| 10 | 000014007 | Snap ring CS-4 |
| 11 | 846353007 | Dial leaf |
| 12 | 858623008 | Feed connecting link (unit) |
| 13 | 502258006 | Connecting pin |
| 14 | 000002507 | Snap ring E-4 |
| 15 | 846304106 | Upper feed lower shaft front arm |
| 16 | 000111201 | Hexagonal socket screw 4x4 |
| 17 | 858068009 | Feed connecting link |
| 18 | 502258109 | Connecting pin |
| 19 | 784071003 | Looper shaft bushing |
| 20 | 858624009 | Upper feed lower shaft (unit) |
| 21 | 846303002 | Upper feed lower shaft bushing |
| 22 | 858069000 | Upper feed lower shaft |
| 23 | 846306005 | Upper feed lower shaft rear arm |
| 24 | 000061102 | Nut 4-1-7 |
| 25 | 820166001 | Lower shaft ring |
| 26 | 000038502 | Washer |
| 27 | 000002806 | Snap ring E-6 |
| 28 | 000101105 | Setscrew 3x4 |
| 29 | 653006101 | Cap |
| 30 | 000081005 | Setscrew 4x8 |
| 31 | 858156005 | Upper feed upper shaft spring |
| 32 | 822070003 | Felt |
| 33 | 846580005 | Upper feed adjusting arm (unit) |
| 34 | 846577009 | Upper feed connecting link (unit) |
| 35 | 846309008 | Upper feed connecting link |
| 36 | 846307006 | Connecting link |
| 37 | 000066705 | Setscrew 3x8 |
| 38 | 846349000 | Upper feed adjusting link |
| 39 | 820144003 | Pin |
| 40 | 846350004 | Upper feed adjusting arm (1) |
| 41 | 000111304 | Hexagonal socket screw 5x5 |
| 42 | 846308007 | Upper feed upper shaft rear arm |
| 43 | 846348009 | Rear arm feed lifting roller |
| 44 | 858644005 | Upper feed adjusting arm 2 (unit) |
| 45 | 858070004 | Upper feed adjusting arm 2 |

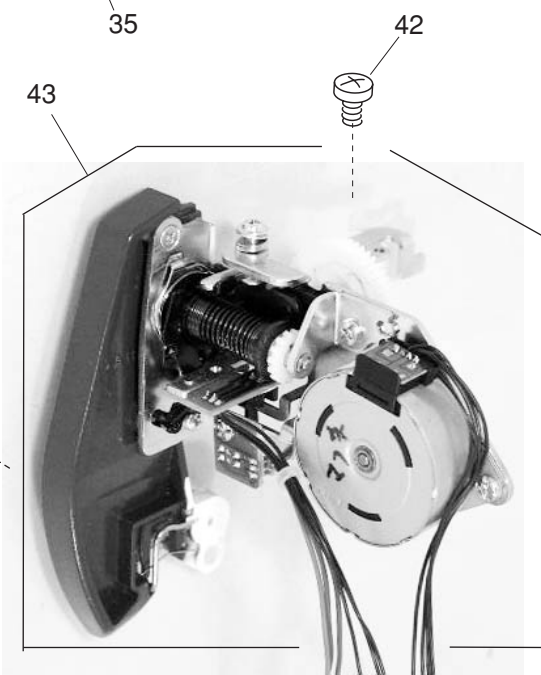
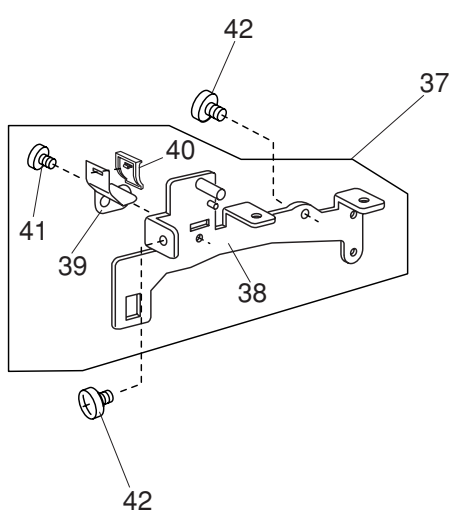
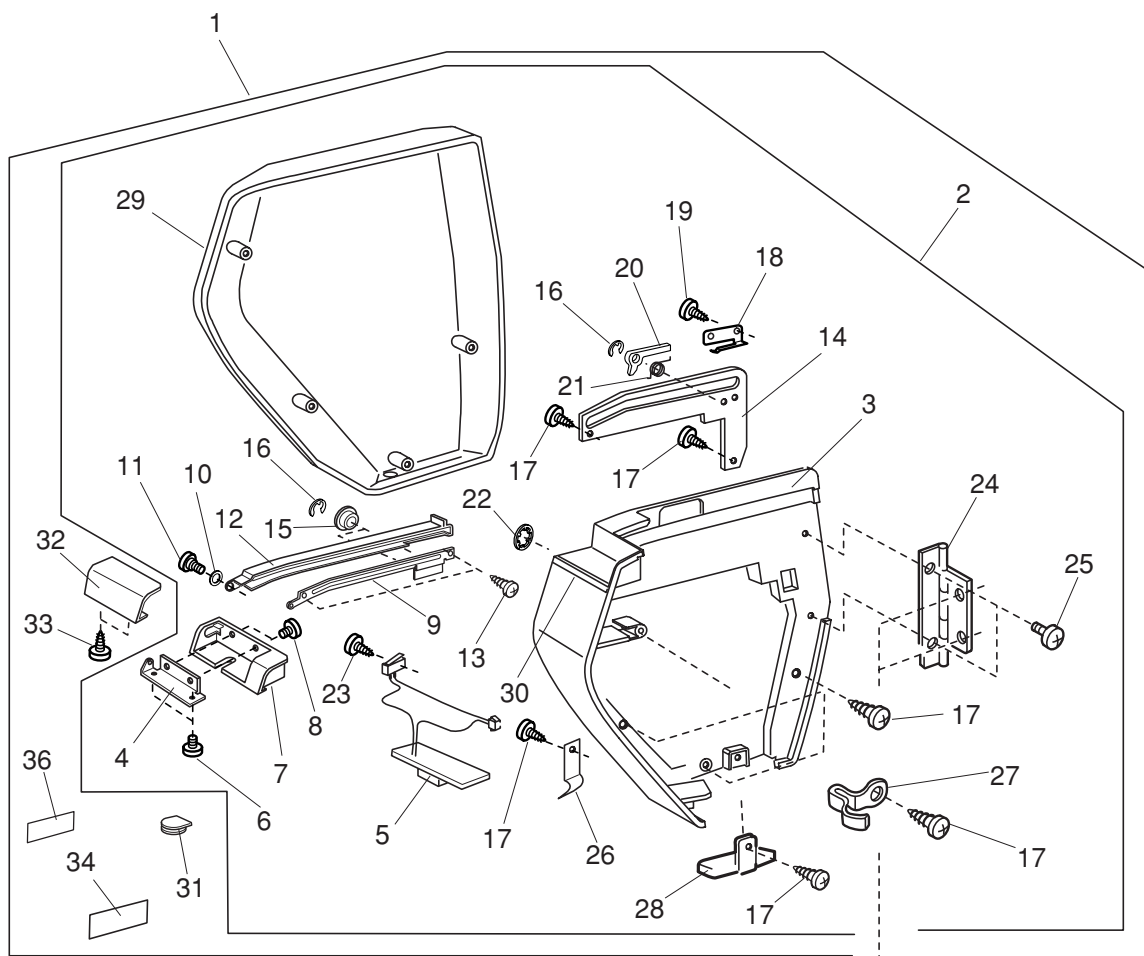
PARTS LIST



PARTS LIST

| KEY NO. | PARTS NO. | DESCRIPTION |
|------------|--------------|--|
| 1 | 859665005 | Needle bar supporter (unit) |
| 2 | 846047005 | Needle bar supporter |
| 3 | 000111902 | Hexagonal socket screw 3x4 |
| 4 | 735144006 | Needle bar supporter pin |
| 5 | 000002507 | Snap ring E-4 |
| 6 | 000070609 | Washer |
| 7 | 673022002 | Washer |
| 8 | 846612100 | Threader shaft (unit) |
| 9 | 846048028 | Threader shaft |
| 10 | 000003508 | Knock pin |
| 11 | 842090001 | Needle threader spring |
| 12 | 000002105 | Snap ring E-3 |
| 13 | 842096007 | Threader lever spring |
| 14 | 842091002 | Threader guide plate |
| 15 | 844036038 | Threader lever plate |
| 16 | 859111001 | Threader lever |
| 17 | 000078319 | Setscrew 3x6 |
| 18 | 000125105 | Pin |
| 19 | 846588014 | Threader guard plate (unit) |
| 20 | 829027006 | Supporter guide plate |
| 21 | 859647001 | Needle bar (unit) |
| 22 | 807607008 | Threader position setting plate (unit) |
| 23 | 807018006 | Threader position setting plate |
| 24 | 000111902 | Hexagonal socket screw 3x4 |
| 25 | 858172007 | Needle bar supporter spring |
| 26 | 846515009 | Needle bar supporter (unit) |
| 27 | 000111201 | Hexagonal socket screw 4x4 |
| 28 | 647814031 | Needle HA1-14 |
| 29 | 842625001 | Supporter guide pin (unit) |
| 30 | 827083004 | Supporter guide pin |
| 31 | 000216805 | Hexagonal socket screw 3x3 |
| 32 | 859112002 | Arm thread guide |
| 33 | 859610005 | Zigzag width rod (unit) |
| 34 | 859031006 | Zigzag width rod |
| 35 | 827088009 | Zigzag width rod spring |
| 36 | 820373003 | Setscrew |
| 37 | 678084007 | Eccentric pin |
| 38 | 653037008 | Washer |

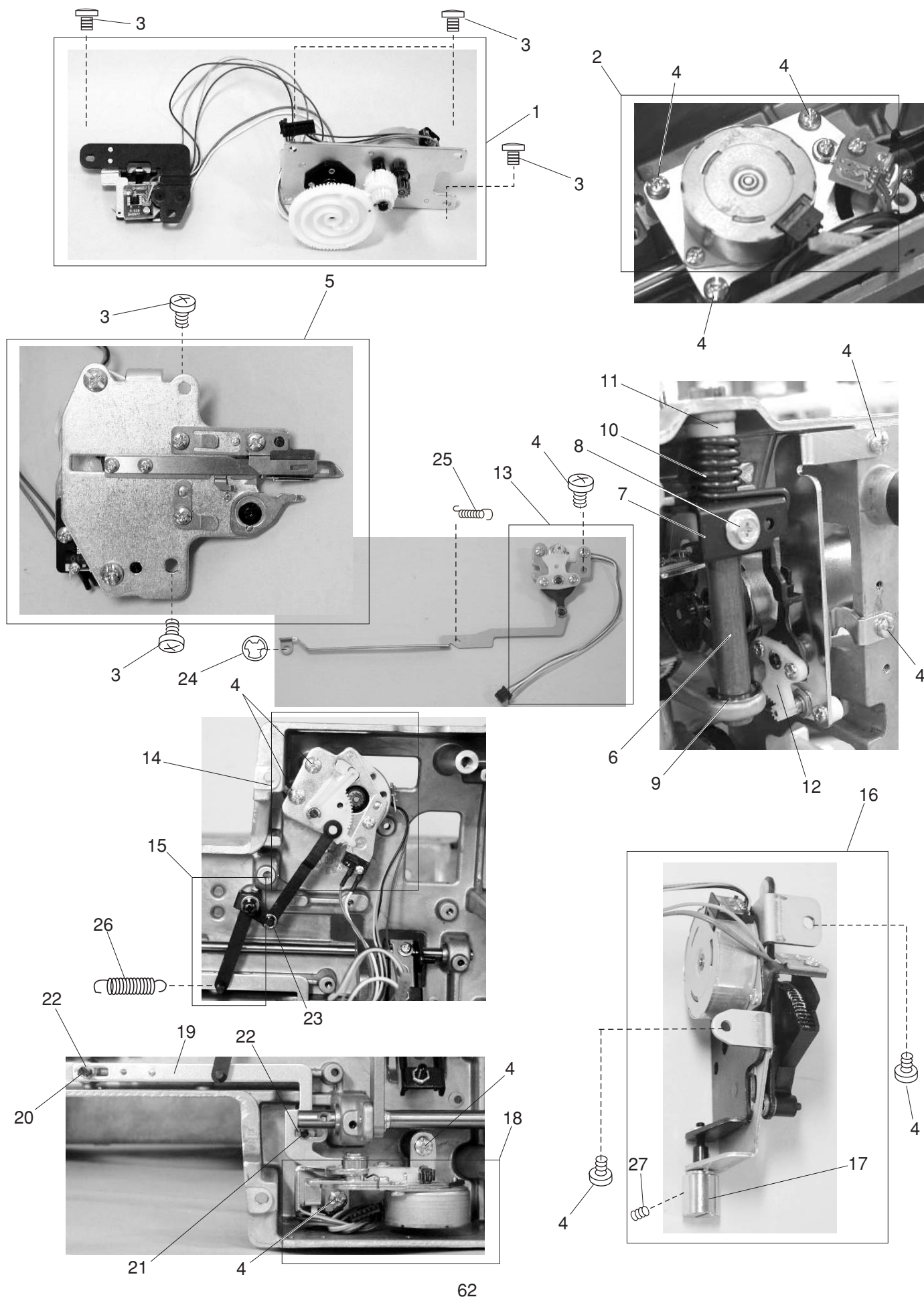
PARTS LIST



PARTS LIST

| KEY NO. | PARTS NO. | DESCRIPTION |
|------------|--------------|---|
| 1 | 859620008 | Face plate (unit) (U.S.A.) |
| | 859620101 | Face plate (unit) (Canada) |
| | 859620204 | Face plate (unit) (Australia) (UK) (Continental Europe) |
| 2 | 859621009 | Face plate (unit) |
| 3 | 859057101 | Face plate |
| 4 | 859058009 | Board set plate |
| 5 | 859505006 | Printed circuit board L3 (unit) |
| 6 | 000078319 | Setscrew 3x6 |
| 7 | 859059000 | Light cover |
| 8 | 000102508 | Setscrew 3x6 |
| 9 | 859061005 | Lamp arm |
| 10 | 000116103 | Washer |
| 11 | 859062006 | Setscrew |
| 12 | 859063007 | Lamp arm cover |
| 13 | 000151708 | Setscrew 2.6x6 |
| 14 | 859065009 | Face cover lamp guide plate |
| 15 | 303071000 | Ring |
| 16 | 000001207 | Snap ring E-2.5 |
| 17 | 000120203 | Setscrew 3x8 |
| 18 | 859224008 | Spring |
| 19 | 000161103 | Setscrew 3x6 |
| 20 | 859225009 | Lever spring |
| 21 | 859226000 | Spring |
| 22 | 000014409 | Snap ring E-8 |
| 23 | 000102900 | Setscrew 2x8 |
| 24 | 851503103 | Face plate hinge |
| 25 | 000066705 | Setscrew 3x8 |
| 26 | 859233000 | Spring |
| 27 | 850013005 | Face plate spring |
| 28 | 832508006 | Thread cutter (unit) |
| 29 | 859227001 | Face plate cover |
| 30 | 859228105 | Face plate decoration plate |
| 31 | 859060004 | Face plate supporter lamp cover |
| 32 | 859064101 | Decoration plate (2) |
| 33 | 000163208 | Setscrew 2x5 |
| 34 | 830312016 | Sticker (U.S.A.) |
| | 100083000 | Sticker (Canada) |
| 35 | 000081119 | Setscrew 4x6 |
| 36 | 100517008 | Sticker (Canada) |
| 37 | 859668008 | Carrying handle supporter (front) (unit) |
| 38 | 859066000 | Carrying handle supporter (front) |
| 39 | 859067001 | Carrying handle spring |
| 40 | 859238005 | Carrying handle spring cap |
| 41 | 000101116 | Setscrew 3x4 |
| 42 | 000081005 | Setscrew 4x8 |
| 43 | 859635006 | Thread tension (unit) |
| 44 | 000101703 | Setscrew 4x12 |

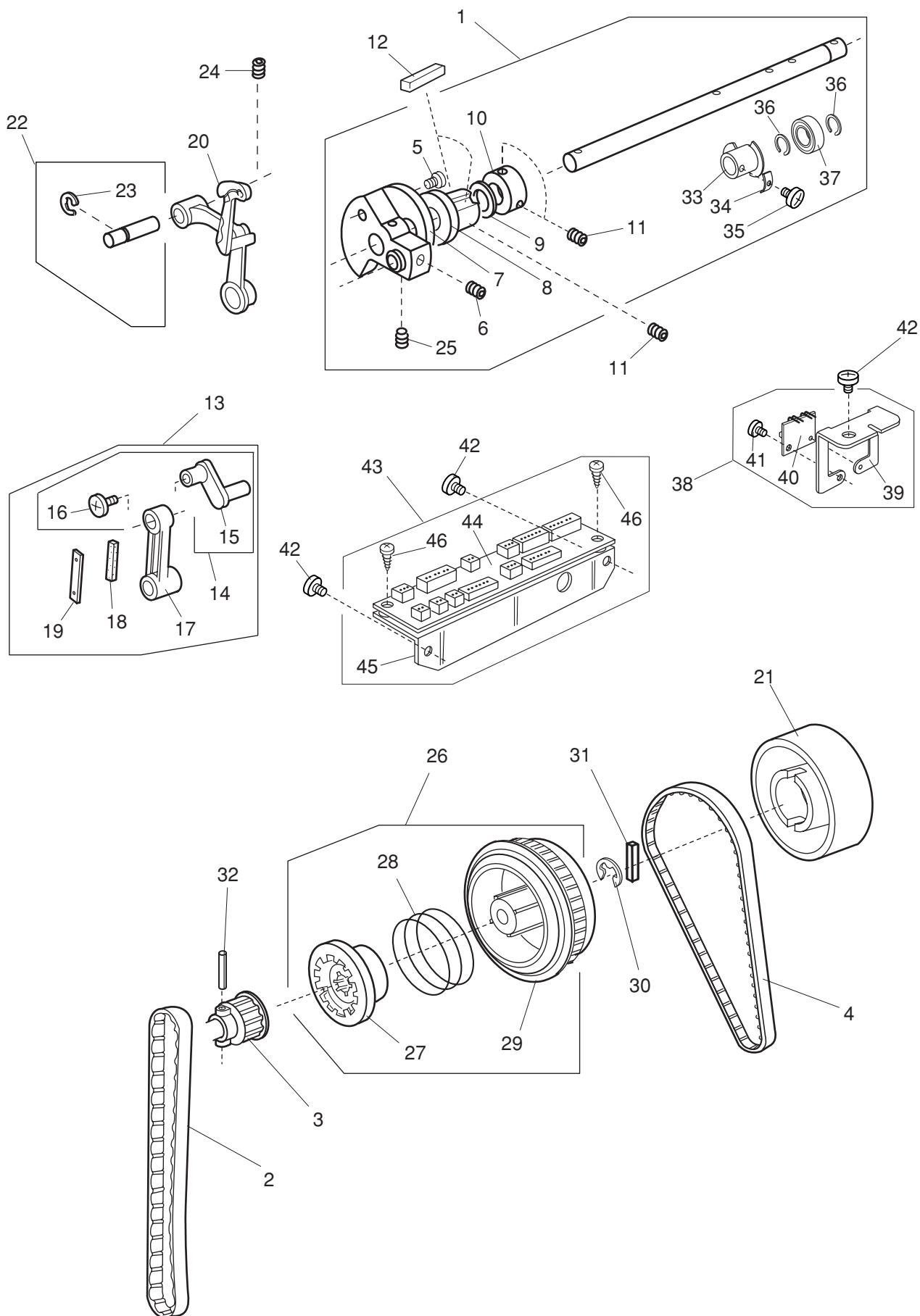
PARTS LIST



PARTS LIST

| KEY NO. | PARTS NO. | DESCRIPTION |
|------------|--------------|-----------------------------------|
| 1 | 859623001 | Presser foot lifter motor (unit) |
| 2 | 859608000 | Zigzag width motor (unit) |
| 3 | 000101404 | Setscrew 4x6 |
| 4 | 000081005 | Setscrew 4x8 |
| 5 | 859641005 | Automatic thread cutter (unit) |
| 6 | 858088108 | Knee lifter shaft |
| 7 | 859021003 | Knee lifter stopper |
| 8 | 000138503 | Hexagonal socket screw 5x12 |
| 9 | 000002208 | Snap ring E-9 |
| 10 | 859022004 | Knee lifter stopper spring |
| 11 | 846297002 | Stopper |
| 12 | 859609001 | Knee lifter sensor (unit) |
| 13 | 859606008 | Sensor set plate (unit) |
| 14 | 859604006 | Bobbin thread sensor motor (unit) |
| 15 | 859605007 | Arm (unit) |
| 16 | 859664004 | Feed motor (unit) |
| 17 | 859215006 | Feed balancing dial |
| 18 | 859607009 | Drop feed motor (unit) |
| 19 | 859012001 | Feed dog driving plate |
| 20 | 859260006 | Pin |
| 21 | 858169001 | Pin |
| 22 | 000001207 | Snap ring E-2.5 |
| 23 | 000002105 | Snap ring E-3 |
| 24 | 000013707 | Snap ring CS-2.4 |
| 25 | 859011000 | Spring |
| 26 | 859013002 | Spring |
| 27 | 000110200 | Hexagonal socket screw 4x4 WP |

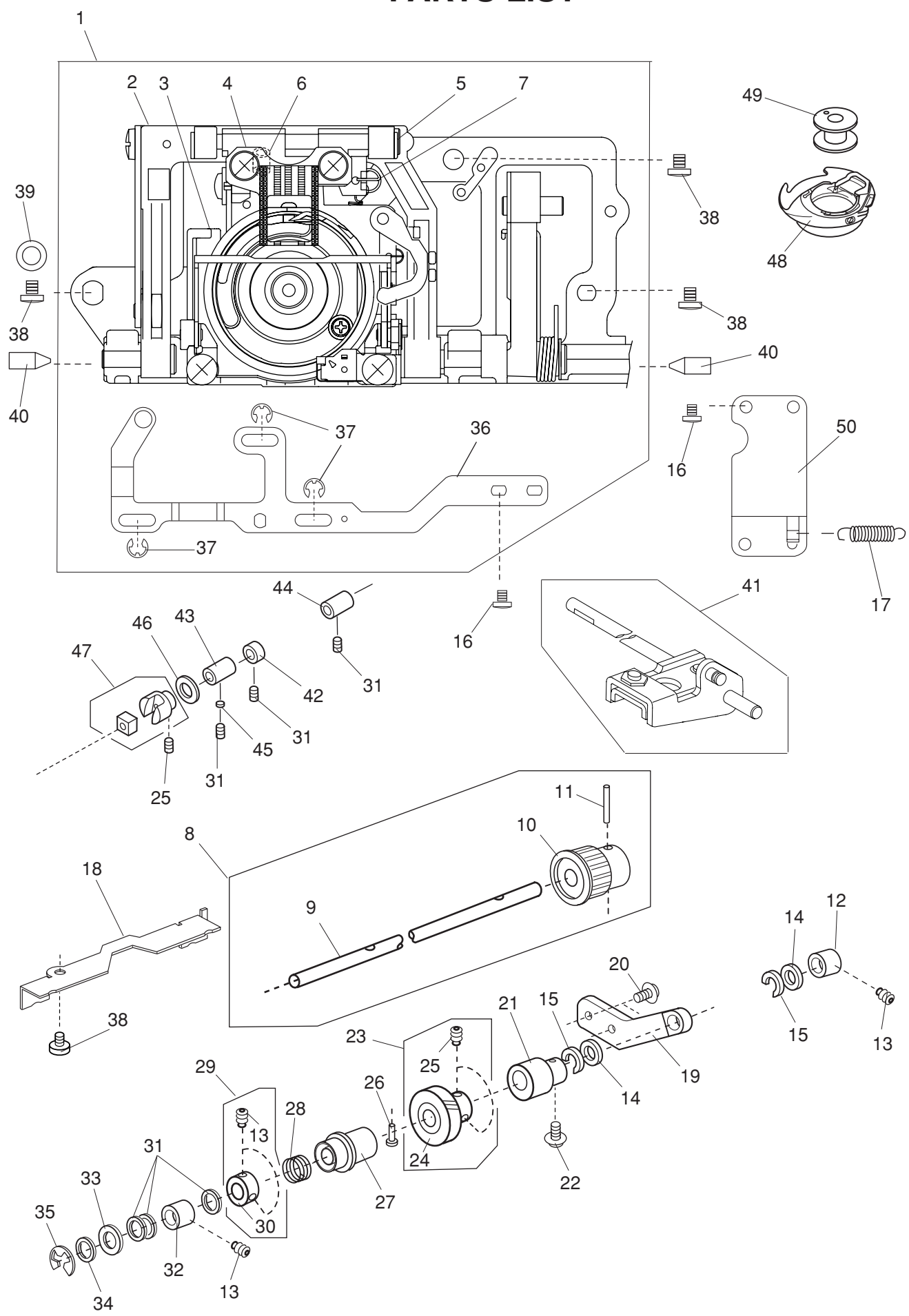
PARTS LIST



PARTS LIST

| KEY NO. | PARTS NO. | DESCRIPTION |
|------------|--------------|---------------------------------|
| 1 | 859650007 | Upper shaft (unit) |
| 2 | 846098001 | Timing belt |
| 3 | 858052000 | Upper shaft gear |
| 4 | 858118005 | Timing belt |
| 5 | 000078319 | Setscrew 3x6 |
| 6 | 000110901 | Hexagonal socket screw 5x4 |
| 7 | 859214005 | Upper feed lifting cam |
| 8 | 670079201 | Upper shaft front bushing |
| 9 | 000040105 | Washer |
| 10 | 767077006 | Ring |
| 11 | 000111304 | Hexagonal socket screw 5x5 |
| 12 | 731312005 | Felt |
| 13 | 846615103 | Needle bar crank (unit) |
| 14 | 843543007 | Needle bar crank pin (unit) |
| 15 | 652143005 | Needle bar crank pin |
| 16 | 647139002 | Needle bar crank pin knob |
| 17 | 650039001 | Needle bar crank rod |
| 18 | 650040005 | Felt |
| 19 | 650041006 | Spring |
| 20 | 820511108 | Thread take-up lever (unit) |
| 21 | 858055003 | Handwheel |
| 22 | 650626001 | Thread take-up lever pin (unit) |
| 23 | 000002806 | Snap ring E-6 |
| 24 | 000111201 | Hexagonal socket screw 4x4 |
| 25 | 000111706 | Hexagonal socket screw 5x8 |
| 26 | 858647008 | Belt wheel (unit) |
| 27 | 858053001 | Clutch ring |
| 28 | 502065004 | Clutch spring |
| 29 | 858054002 | Belt wheel |
| 30 | 000030009 | Snap ring E-10 |
| 31 | 000024206 | Pin 3x30 |
| 32 | 000004303 | Pin 3x20 |
| 33 | 859055006 | Upper shaft shield plate |
| 34 | 859033008 | Washer |
| 35 | 000080406 | Setscrew 3x10 |
| 36 | 000032702 | Snap ring crescent |
| 37 | 757178008 | Ball bearing |
| 38 | 859646000 | Upper shaft sensor (unit) |
| 39 | 859056007 | Sensor set plate |
| 40 | 843505100 | Printed circuit board P (unit) |
| 41 | 000101105 | Setscrew 3x4 |
| 42 | 000081005 | Setscrew 4x8 |
| 43 | 859611006 | Printed circuit board U1 (unit) |
| 44 | 859502003 | Printed circuit board U1 |
| 45 | 859032007 | U1 set plate |
| 46 | 000120203 | Setscrew 3x8 |

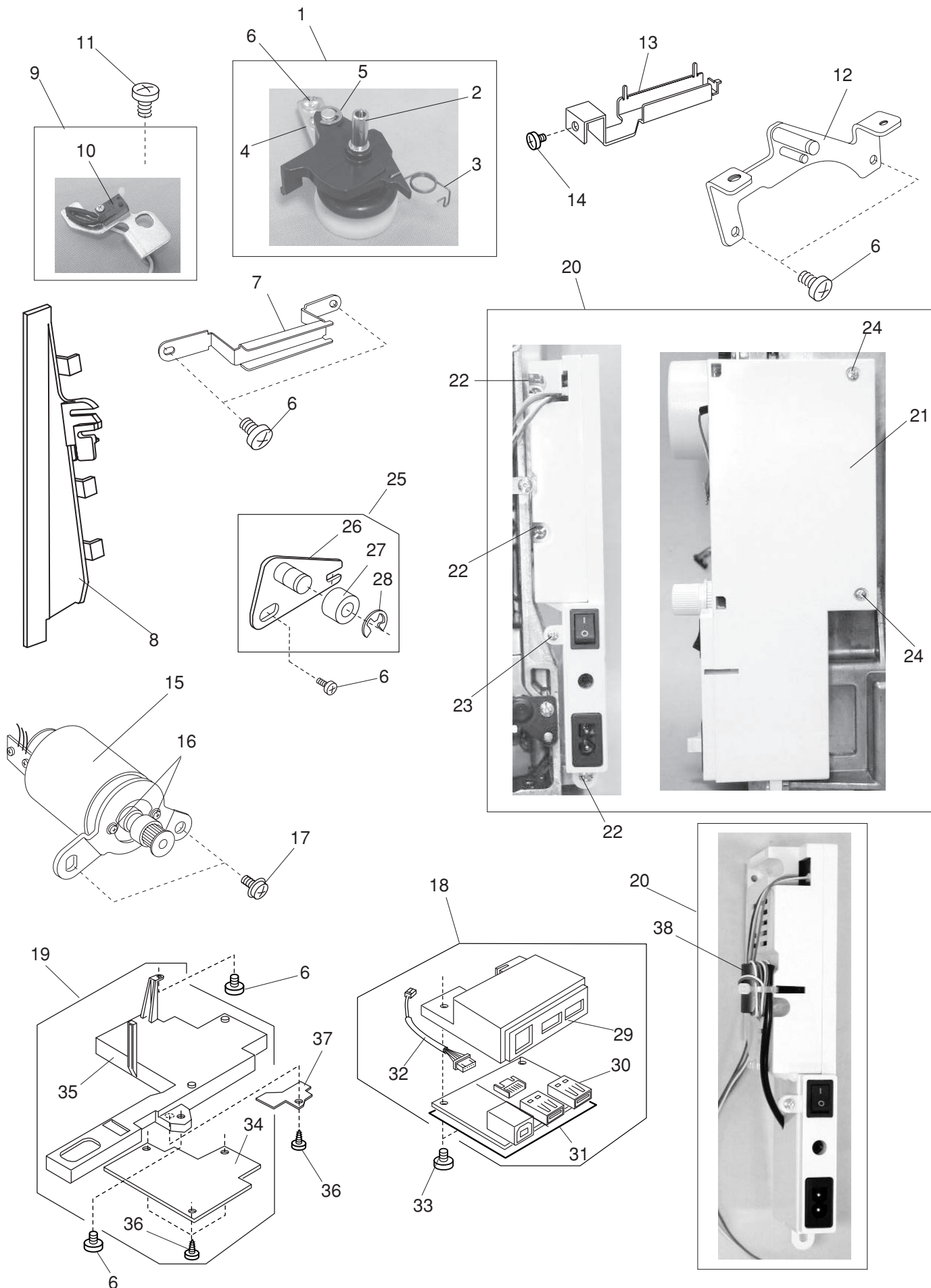
PARTS LIST



PARTS LIST

| KEY NO. | PARTS NO. | DESCRIPTION |
|------------|--------------|------------------------------|
| 1 | 859637019 | Feed rock shaft (whole unit) |
| 2 | 858621006 | Feed rock shaft (unit) |
| 3 | 859638010 | Hook race (unit) |
| 4 | 859639000 | Feed dog set base (unit) |
| 5 | 825099007 | Feed dog base shaft |
| 6 | 000111407 | Hexagonal socket screw 4x6 |
| 7 | 825103005 | Feed base spring |
| 8 | 858618000 | Lower shaft (unit) |
| 9 | 858056004 | Lower shaft |
| 10 | 650073007 | Lower gear |
| 11 | 000004200 | Pin 3x10 |
| 12 | 650079003 | Lower shaft bushing (rear) |
| 13 | 000111201 | Hexagonal socket screw 4x4 |
| 14 | 822070003 | Felt |
| 15 | 822112008 | Felt holder |
| 16 | 000101105 | Setscrew 3x4 |
| 17 | 859013002 | Spring |
| 18 | 858158007 | Cord Guide 1 |
| 19 | 858058006 | Lower shaft supporter |
| 20 | 000115700 | Setscrew TP 4x10 |
| 21 | 846379009 | Feed cam |
| 22 | 000149600 | Setscrew 3x14 |
| 23 | 850687006 | Lower shaft gear (unit) |
| 24 | 650076000 | Lower shaft gear |
| 25 | 000111304 | Hexagonal socket screw 5x5 |
| 26 | 820161006 | Feed lifting pin |
| 27 | 846103000 | Feed lifting cam |
| 28 | 825093001 | Feed lifting cam spring |
| 29 | 820672005 | Lower shaft ring (unit) |
| 30 | 820166001 | Lower shaft ring |
| 31 | 000038502 | Washer |
| 32 | 858060001 | Lower shaft bushing (front) |
| 33 | 735143005 | Felt |
| 34 | 000071507 | Washer |
| 35 | 000002806 | Snap ring E-6 |
| 36 | 859114004 | Drop plate |
| 37 | 000002105 | Snap ring E-3 |
| 38 | 000081005 | Setscrew 4x8 |
| 39 | 000070506 | Washer 4 |
| 40 | 738055008 | Straight pin |
| 41 | 858626001 | Feed shaft (unit) |
| 42 | 820387000 | Ring |
| 43 | 625144002 | Feed shaft bushing (front) |
| 44 | 650092002 | Feed shaft bushing (rear) |
| 45 | 650175000 | Cushion |
| 46 | 823110009 | Felt |
| 47 | 625508008 | Feed regulator (unit) |
| 48 | 846652102 | Bobbin holder (unit) |
| 49 | 102261103 | Bobbin |
| 50 | 859115005 | Drop connecting plate |

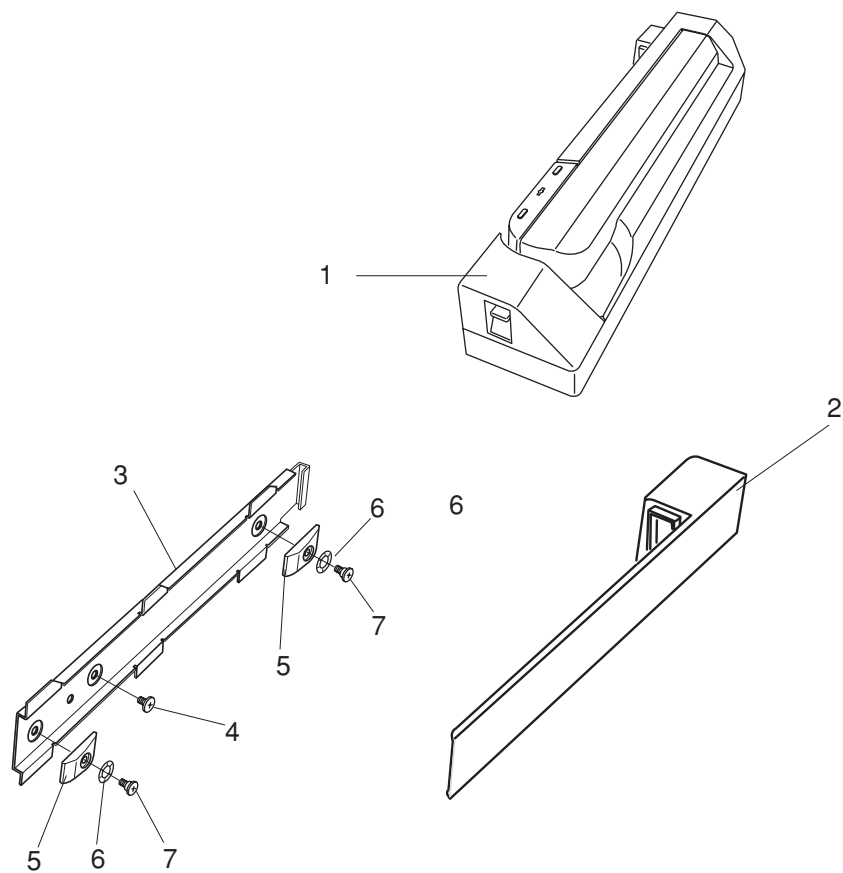
PARTS LIST



PARTS LIST

| KEY NO. | PARTS NO. | DESCRIPTION |
|------------|--------------|---|
| 1 | 858637016 | Bobbin winder (unit) |
| 2 | 858509018 | Bobbin winder (unit) |
| 3 | 858174009 | Bobbin winder arm spring |
| 4 | 858111008 | Bobbin winder set plate |
| 5 | 000001609 | Snap ring E-5 |
| 6 | 000081005 | Setscrew 4x8 |
| 7 | 858113000 | Cord guide |
| 8 | 858145012 | Cord guide plate |
| 9 | 858646007 | Bobbin winder switch (unit) |
| 10 | 852510405 | Micro switch (unit) |
| 11 | 000101404 | Setscrew 4x6 |
| 12 | 859134000 | Rear set plate |
| 13 | 859248008 | Upper cord guide |
| 14 | 000103705 | Setscrew 4x5 |
| 15 | 859612007 | DC motor (unit) |
| 16 | 000115009 | Set screw TP 3x8 |
| 17 | 000115607 | Set screw TP 4X8 |
| 18 | 859644008 | Printed circuit board B case (unit) |
| 19 | 859643007 | Printed circuit board U2 (unit) |
| 20 | 858640207 | Switching power supply (unit) (U.S.A.) (Canada) |
| | 858640300 | Switching power supply (unit) (Australia) |
| | 859676205 | Switching power supply (unit) (UK) (Continental Europe) |
| 21 | 858120000 | Switching power supply plate |
| 22 | 000103509 | Setscrew 4x10 |
| 23 | 000161206 | Setscrew 3x10 |
| 24 | 000119704 | Setscrew 3x14 |
| 25 | 860608004 | Idler (unit) |
| 26 | 860021007 | Idler base |
| 27 | 625217100 | Idler |
| 28 | 000002806 | Snap ring E-6 |
| 29 | 859147006 | Printed circuit board B case |
| 30 | 859518002 | Printed circuit board B (unit) |
| 31 | 859244004 | Insulation sheet |
| 32 | 859537007 | Cable |
| 33 | 000170507 | Setscrew 4x12 |
| 34 | 859517001 | Printed circuit board U2 (unit) |
| 35 | 859135001 | Cord guide |
| 36 | 000120203 | Setscrew 3x8 |
| 37 | 859250003 | Cord cover plate |
| 38 | 808108007 | Ferrite core (Australia) (UK) (Continental Europe) |

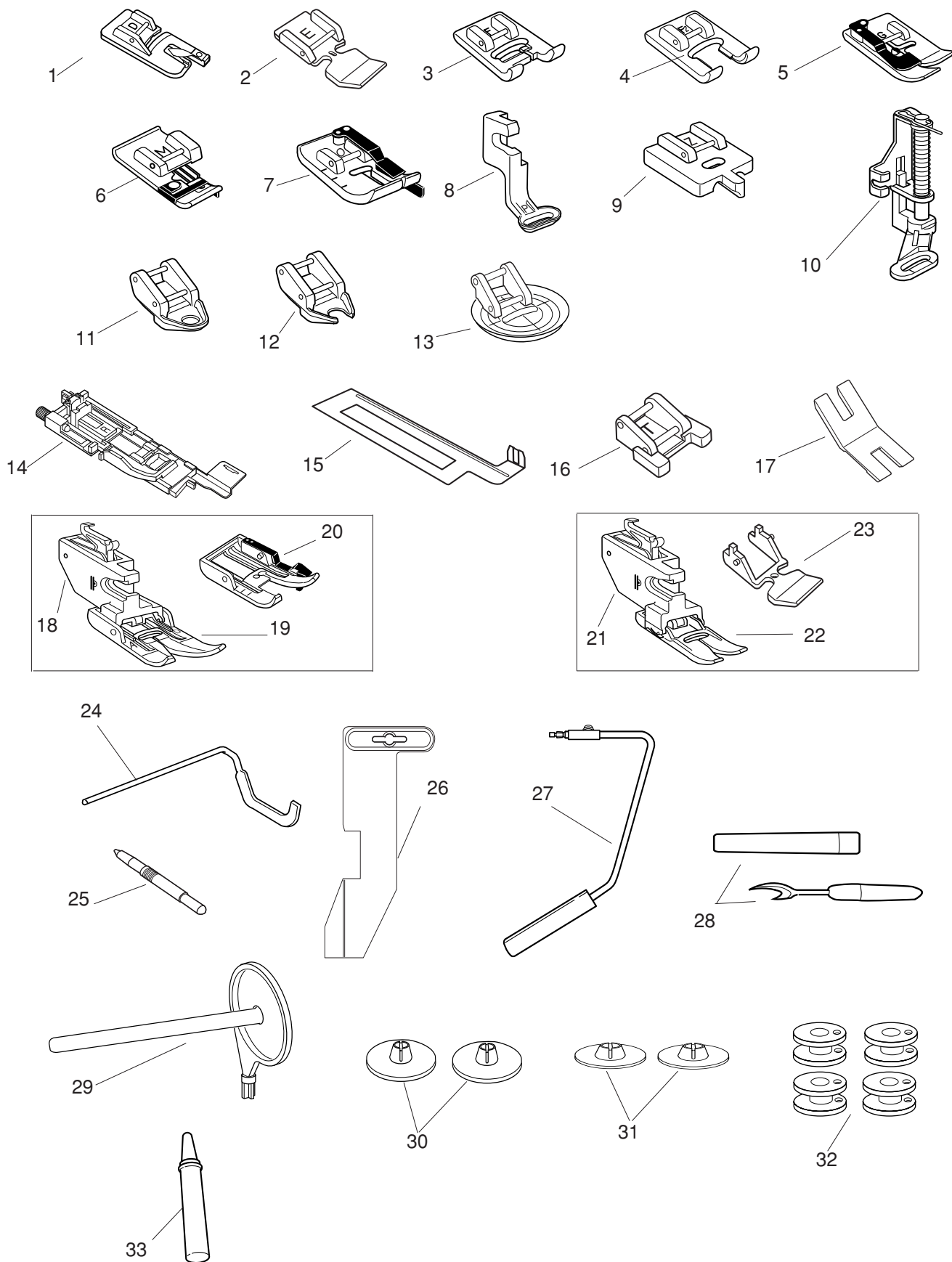
PARTS LIST



PARTS LIST

| KEY NO. | PARTS NO. | DESCRIPTION |
|------------|--------------|-----------------|
| 1 | 859651008 | Embroidery unit |
| 2 | 859148007 | Cover |
| 3 | 859138004 | Rail |
| 4 | 810220003 | Setscrew |
| 5 | 859039005 | Cushion |
| 6 | 000116000 | Washer |
| 7 | 859273002 | Setscrew |

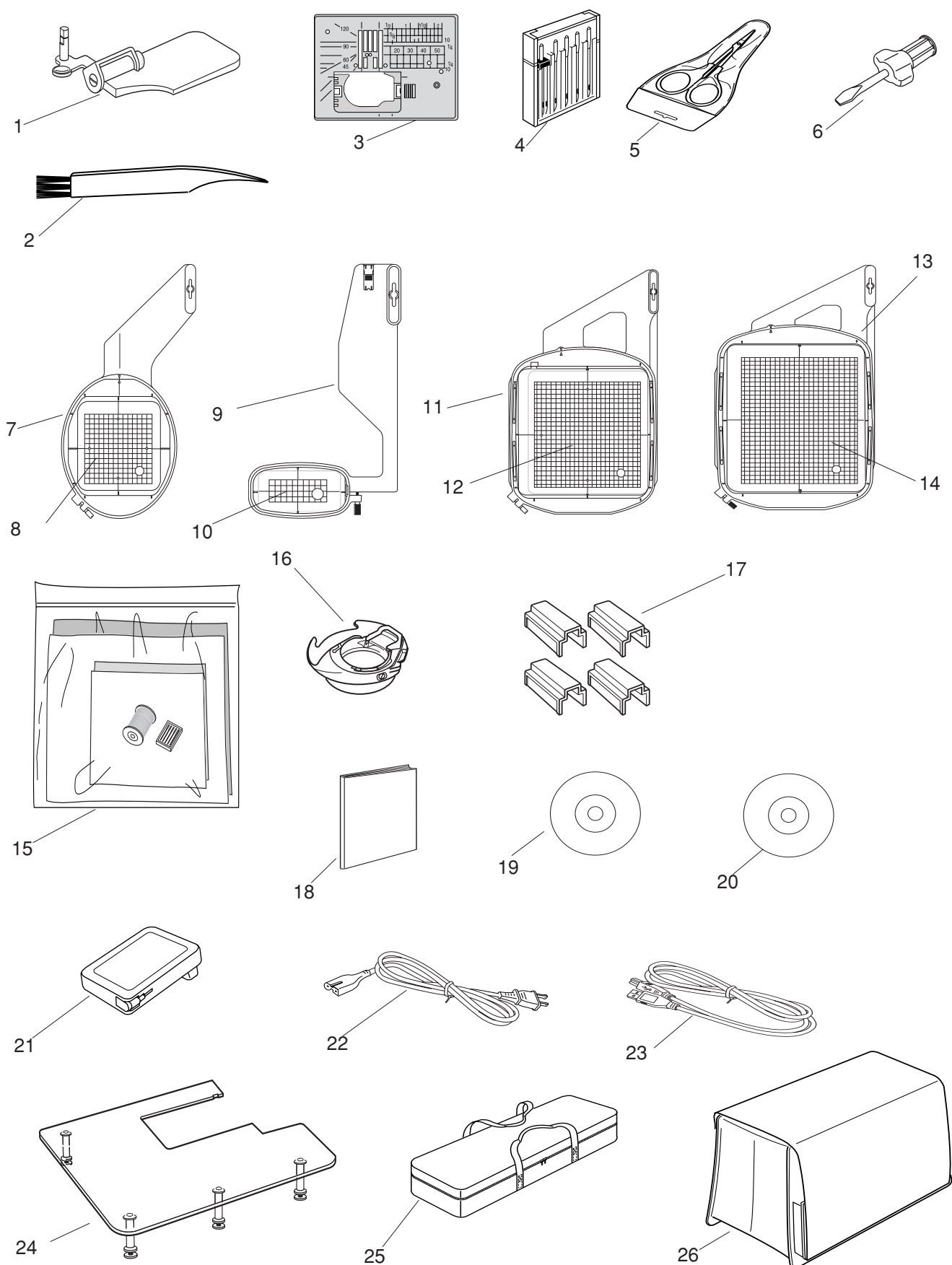
PARTS LIST



PARTS LIST

| KEY NO. | PARTS NO. | DESCRIPTION |
|------------|--------------|---|
| 1 | 859804008 | Rolled hem foot D |
| 2 | 859805009 | Zipper foot E |
| 3 | 859806011 | Satin stitch foot F |
| 4 | 859813000 | Open toe satin stitch foot F2 |
| 5 | 859807001 | Blind hemming foot G |
| 6 | 859810007 | Overedge foot M |
| 7 | 859814001 | 1/4" seam foot O |
| 8 | 859816003 | Embroidery foot P |
| 9 | 859815002 | Consealed zipper foot Z |
| 10 | 859839002 | Darning foot PD-H |
| 11 | 859836009 | Free motion quilting closed-toe foot QC |
| 12 | 859837000 | Free motion quilting open-toe foot QO |
| 13 | 859812009 | Free motion quilting zigzag foot QV |
| 14 | 859809003 | Automatic buttonhole foot R |
| 15 | 859832005 | Stabilizer plate |
| 16 | 859811008 | Button sewing foot T |
| 17 | 832820007 | Button shank plate |
| 18 | 859817004 | Dual feed holder (twin) |
| 19 | 859819109 | Dual feed foot AD (twin) |
| 20 | 859829009 | Dual feed quilt piecing foot OD (twin) |
| 21 | 859833006 | Dual feed holder (single) |
| 22 | 859835101 | Dual feed foot VD (single) |
| 23 | 859838001 | Dual feed zipper foot ED (single) |
| 24 | 755802001 | Quilting guide bar |
| 25 | 860194002 | Touch panel stylus |
| 26 | 859825005 | Cloth guide |
| 27 | 846417022 | Knee lifter |
| 28 | 560406104 | Seam ripper (buttonhole opener) |
| 29 | 809041004 | Extra spool pin |
| 30 | 822020503 | Spool holders (large) |
| 31 | 822019509 | Spool holders (small) |
| 32 | 102261103 | Bobbins |
| 33 | 859858007 | Bobbin holder cleaner |

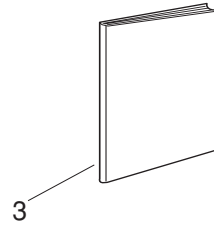
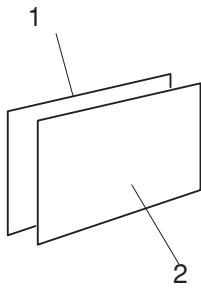
PARTS LIST



PARTS LIST

| KEY NO. | PARTS NO. | DESCRIPTION |
|------------|--------------|----------------------------------|
| 1 | 859401001 | Optic magnifier |
| 2 | 802424004 | Lint brush |
| 3 | 859831004 | Straight stitch needle plate |
| 4 | 832832105 | Needle set |
| 5 | 803813203 | Scissors |
| 6 | 820832005 | Screwdriver |
| 7 | 859823003 | Embroidery hoop SQ14 |
| 8 | 859823302 | Template SQ14 |
| 9 | 859824004 | Embroidery hoop FA10 |
| 10 | 859824303 | Template FA10 |
| 11 | 859822002 | Embroidery hoop SQ23 |
| 12 | 859822301 | Template SQ23 |
| 13 | 859820000 | Embroidery hoop GR |
| 14 | 859820701 | Template GR |
| 15 | 859847003 | Embroidery kit |
| 16 | 846652504 | Bobbin holder for embroidery |
| 17 | 859821001 | Magnetic clamps |
| 18 | 859843009 | Horizon Link install manual |
| 19 | 859844000 | Instructional video DVD |
| 20 | 859845001 | Horizon Link CD-ROM |
| 21 | 043271133 | Foot control |
| 22 | 856519004 | Power cable (U.S.A.) (Canada) |
| | 830314018 | Power cable (Australia) |
| | 830335004 | Power cable (Continental Europe) |
| | 830377008 | Power cable (UK) |
| 23 | 850403006 | USB cable |
| 24 | 859826109 | Extra wide table |
| 25 | 859849005 | Embroidery unit case |
| 26 | 859848004 | Semi-hard fabric cover |

PARTS LIST



PARTS LIST

| KEY NO. | PARTS NO. | DESCRIPTION |
|------------|--------------|---|
| 1 | 859842008 | Key icon reference chart (English) |
| | 859842204 | Key icon reference chart (French) |
| | 859842400 | Key icon reference chart (Dutch) |
| | 859842307 | Key icon reference chart (German) |
| | 859842101 | Key icon reference chart (Spanish) |
| | 859842802 | Key icon reference chart (Norwegian) |
| | 859842709 | Key icon reference chart (Swedish) |
| | 859842905 | Key icon reference chart (Danish) |
| | 859842503 | Key icon reference chart (Italian) |
| | 859872100 | Key icon reference chart (Portugal) |
| 2 | 859860002 | Key icon reference chart (English) (Embroidery) |
| | 859860208 | Key icon reference chart (French) |
| | 859860404 | Key icon reference chart (Dutch) |
| | 859860301 | Key icon reference chart (German) |
| | 859860105 | Key icon reference chart (Spanish) |
| | 859860806 | Key icon reference chart (Norwegian) |
| | 859860703 | Key icon reference chart (Swedish) |
| | 859860909 | Key icon reference chart (Danish) |
| | 859860507 | Key icon reference chart (Italian) |
| | 859873101 | Key icon reference chart (Portugal) |
| 3 | 859800004 | Instruction book (English) |
| | 859800303 | Instruction book (French) |
| | 859800509 | Instruction book (Dutch) |
| | 859800406 | Instruction book (German) |
| | 859800200 | Instruction book (Spanish) |
| | 859800901 | Instruction book (Norwegian) |
| | 859800808 | Instruction book (Swedish) |
| | 859871006 | Instruction book (Danish) |
| | 859800602 | Instruction book (Italian) |
| | 859871202 | Instruction book (Portugal) |