

Husqvarna

VIKING

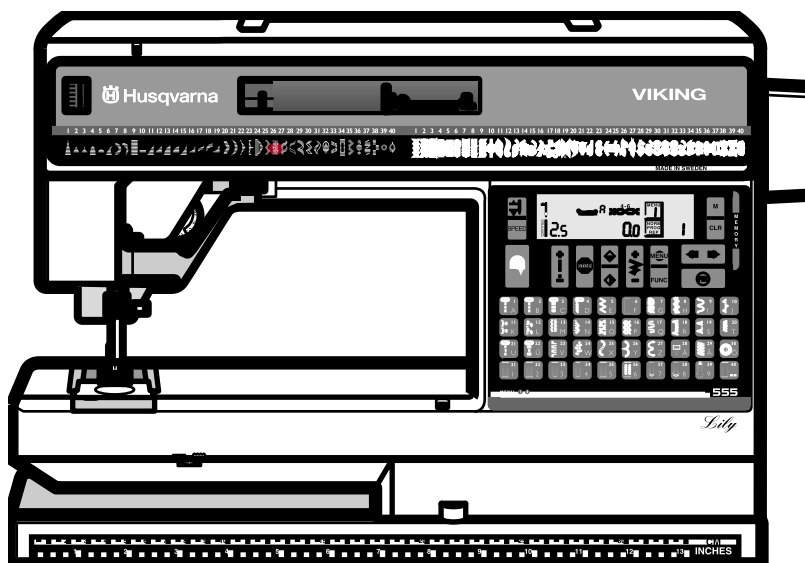
Parts list

LILY

555

545

535



FREESIA

425

415

LISA

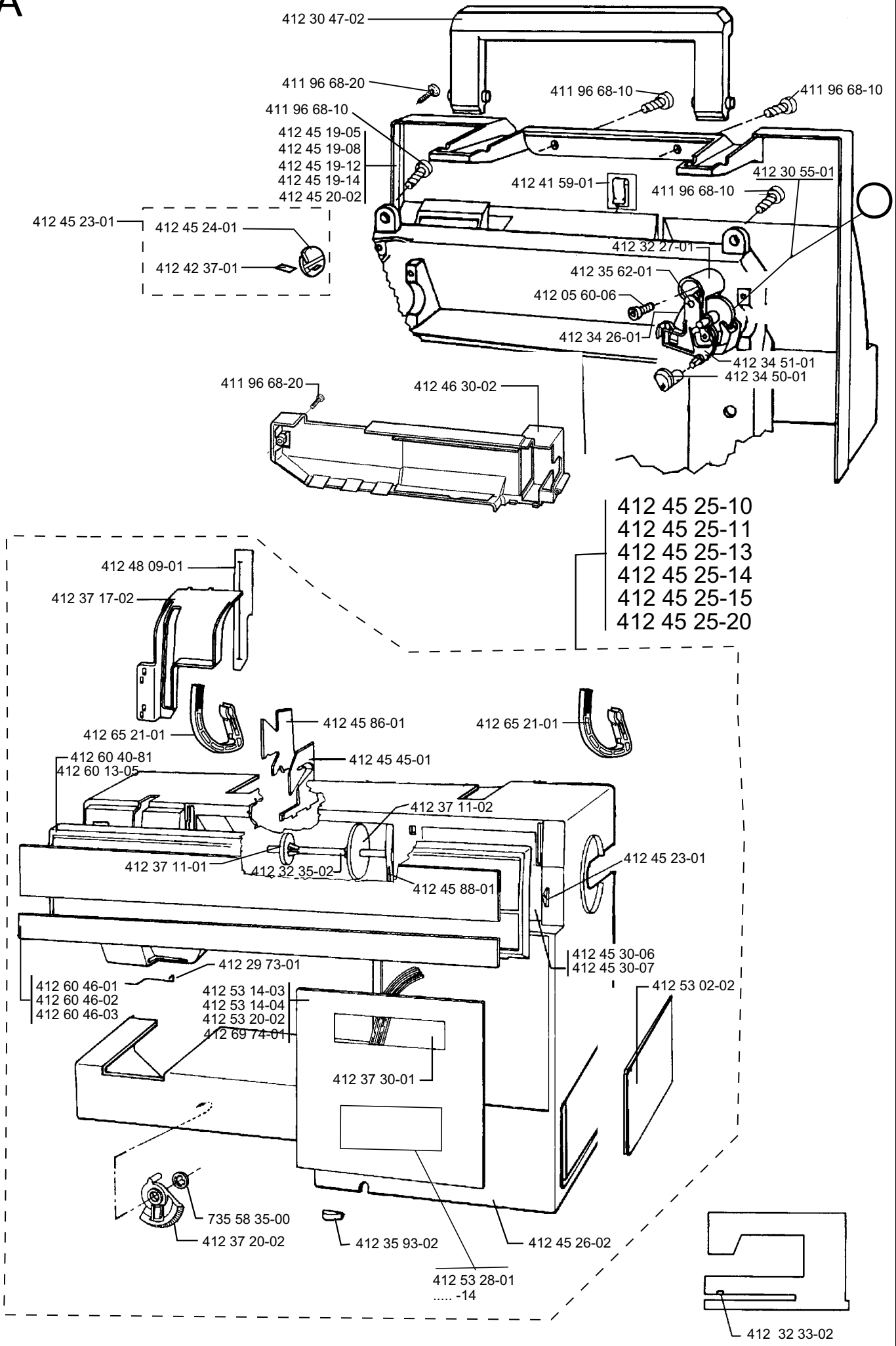
ANGELICA

VICTORIA

Part no	Description	Square	Part no	Description	Square
411 72 10-01	Washer	C	412 32 71-47	Transformer 120 V	B
411 75 00-07	Needle bar compl (old version)	F	412 32 71-48	Transformer 100 V	B
412 58 17-01	Needle bar compl (new version)	F	412 32 84-01	Clamp	D,H
411 75 02-01	Needle clamp (old version)	F	412 33 62-01	Cog wheel	E
412 58 18-01	Needle clamp (new version)	F	412 33 93-01	Attachment, motor	B
411 75 03-02	Stop needle clamp	F	412 33 94-01	Muffler, motor	B
411 75 04-01	Thread guide (old version)	F	412 33 97-02	Motor 24 V	B
412 58 19-01	Thread guide (new version)	F	412 34 24-07	Base plate	B
411 78 10-03	Light bulb	F	412 34 24-08	Base plate Lisa	B
411 96 68-10	Screw	A	412 34 24-09	Base plate Angelica	B
411 96 68-12	Screw	B	412 34 26-01	Spring	A
411 96 68-20	Screw	A	412 34 42-03	Hard cover	K
411 96 71-07	Screw	B	412 34 45-01	Holder	B
411 98 14-01	Washer	C	412 34 47-01	Holder	B
412 00 13-01	Washer	D	412 34 48-01	Screen	D
412 02 41-01	Spring	F	412 34 50-01	Eccentric	A
412 05 60-01	Screw M5*14	B	412 34 51-01	Adjusting arm	A
412 05 60-04	Screw M3*6	C,E,F	412 34 54-01	Cog belt	H
412 05 60-06	Screw M4*12	A,B,D,E,H	412 34 60-01	Stop ring	D
412 05 60-07	Screw M4*16	G	412 34 75-01	Feeding step motor	E
412 05 60-10	Screw M3*10	F	412 34 79-01	Calibration stop	E,F
412 05 60-11	Screw M3*5	D	412 34 80-02	Damper	E,F
412 13 12-01	Bulb 4 V	B	412 34 81-01	Spring	E
412 14 30-05	Fuse 6.3 A/250 V	B	412 34 82-01	Setting screw	E
412 14 30-06	Fuse 2 A/250 V	B	412 34 84-01	Shaft, feeding compl.	E
412 14 32-03	Fuse 3.5 A/250 V (USA)	B	412 34 85-01	Joint cross	E
412 14 32-05	Fuse 2 A/250 V (USA)	B	412 34 87-01	Spring	E
412 15 78-01	Cord device, stand.	J	412 34 88-01	Fastener, spring	E
412 15 79-02	Cord device Japan	J	412 34 89-01	Spring	F
412 15 79-03	Cord device, USA, Can.	J	412 34 91-01	Attachment	F
412 15 80-02	Cord device, England	J	412 34 92-01	Cog wheel	F
412 15 81-01	Cord device, Australia	J	412 34 96-01	Cablage motor	B
412 15 98-01	Spring	J	412 34 97-01	Cable for PC-board	B
412 18 45-01	Foot	J	412 35 12-25	Guide, quick info 425	A
412 21 14-02	Screw, torx M3*6	F	412 35 12-26	Guide, quick info Lisa	A
412 21 14-03	Screw, torx M3*8	F	412 35 26-01	Washer	D
412 21 14-14	Screw, torx M4*16	B	412 35 31-01	Thread tension set	GK
412 22 98-01	Locking nut	E	412 35 33-02	Driving wheel compl.	B
412 28 19-02	Screw	C,F	412 35 42-01	Pulley	D
412 28 19-03	Screw M4*14	F	412 35 62-01	Pin	A
412 28 48-01	Spring	C	412 35 64-01	Holder	B
412 28 51-01	Adjusting arm	F	412 35 93-02	Cover	A
412 28 54-01	Presser bar	F	412 36 14-01	Opener, stitch plate	K
412 28 75-01	Base plate	B	412 36 78-01	Spring	G
412 28 79-01	Screw	D	412 36 80-01	Locking washer	C
412 28 81-01	Stitch plate (is used together with hook cover 412 45 89-01).	D	412 36 82-03	Lower shaft compl.	D
412 29 73-01	Thread guide	A	412 36 83-02	Arm shaft	H
412 30 06-01	Driver	H	412 36 84-01	Cog belt	H
412 30 07-01	Spring	H	412 36 87-01	Pin	H
412 30 08-01	Pulley	H	412 37 11-01	Thread reel disc 20 mm	A
412 30 09-02	Hand wheel	H	412 37 11-02	Thead reel disc 40 mm	A
412 30 16-01	Link	G	412 37 14-02	Lever feed lift	C
412 30 21-01	Locking washer	G	412 37 17-02	Screen	A
412 30 24-01	Crank arm	G	412 37 20-02	Knob, feed dog lowering	A
412 30 30-01	Guide arm	F	412 37 27-01	Spring	C
412 30 47-02	Handle	A	412 37 30-01	Window, foil keyboard	A
412 30 50-01	Foot	B	412 37 35-01	Connector sensor	F
412 30 55-01	Rubber ring	A	412 37 82-01	Nut	C
412 30 66-01	Shuttle shaft	D	412 38 16-02	Feeding unit compl.	C
412 30 74-01	Damper	D	412 39 09-19	Plastic bag with access. 555,545	K
412 30 83-02	Frame, sewing head compl.	F	412 39 09-20	Plastic bag with access. 535	K
412 30 91-04	Regulating dial	F	412 39 09-21	Plastic bag with access. 415,425,Ang	K
412 30 96-02	Presser bar guide	F	412 39 12-01	Spring presserfoot lifter	F
412 30 97-01	Presser bar lifter	F	412 39 44-01	Thread take up	F
412 31 04-02	Guide compl.	C	412 39 47-01	Washer	D
412 31 06-01	Spring	C	412 39 54-01	Feed unit compl.	C
412 31 34-01	Cover , soft	K	412 39 56-01	Frame carriage	C
412 31 41-02	Foot control compl.	J	412 39 59-04	Sewing head compl.	F
412 31 44-01	Cable standard	J	412 39 70-01	Guide connector	F
412 31 44-02	Cable USA, Can, Japan	J	412 40 97-01	Screw	F
412 31 48-01	Spring	C	412 41 12-01	Ankel	F
412 31 60-41	Shaft, sewing frame	F	412 41 59-01	Clip	A
412 31 76-01	Toothed segment	F	412 42 37-01	Thread knife	A,D
412 31 79-01	Clutch	H	412 43 18-01	Feed dog	C
412 31 81-01	Clamp, lower shaft	D	412 44 40-02	Hook	D
412 31 84-01	Bushing, feed dog	C	412 44 44-01	Cog wheel	D
412 31 89-01	Control unit	J	412 45 19-05	Back cover Husqvarna	A
412 32 27-01	Bobbin winding	A	412 45 19-08	Backcover Lisa, Sarah	A
412 32 33-02	Sealing washer	A	412 45 19-12	Back cover Angelica	A
412 32 34-03	Step motor, feeding	E	412 45 19-14	Back cover Victoria	A
412 32 34-07	Step motor, sewing head	F	412 45 20-02	Back cover, blank cover	A
412 32 35-02	Reel pin	A	412 45 23-01	Thread knife	A
412 32 43-02	Thread reel pin	K	412 45 24-01	Holder, thread knife	A
412 32 45-03	Thread tension device	G	412 45 25-10	Front cover compl. 425	A
412 32 47-01	Lever thread tension	G	412 45 25-11	Front cover compl. 415	A
412 32 49-01	Screw thread tension	G	412 45 25-13	Front cover compl. 555	A
412 32 50-01	Spring holder	G	412 45 25-14	Front cover compl. 545	A
412 32 51-02	Adjustment dial	G	412 45 25-15	Front cover compl. 535	A
412 32 67-45	PC-board transformer	B	412 45 25-17	Front cover compl. Lisa	A
412 32 71-45	Transformer 220-240 V	B	412 45 25-20	Front cover compl. Angelica	A
			412 45 25-21	Front cover compl. Victoria	A
			412 45 26-02	Front cover, empty	A

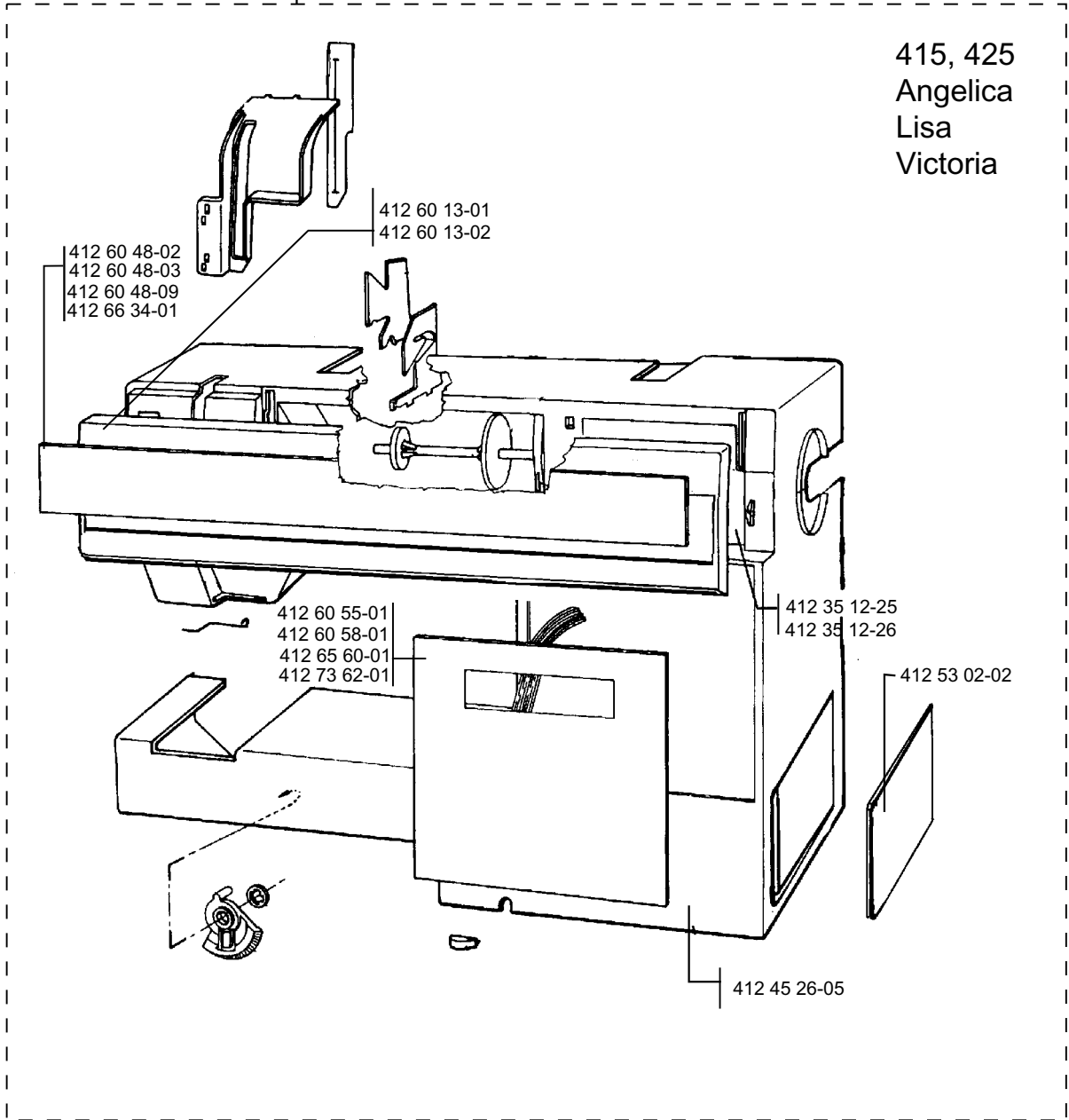
Part no	Description	Square	Part no	Description	Square
412 45 26-05	Front cover empty. Lisa, Angelica	A	735 31 08-00	C-washer	F
412 45 30-06	Guide, quick info 555	A	735 31 08-20	C-washer	D
412 45 30-07	Guide, quick info 545	A	735 58 35-00	Locking washer	A
412 45 43-03	Accessory box	K	735 58 55-00	Locking washer	H
412 45 45-01	Thread guide	A	735 61 24-40	Compression ring 3mm	G
412 45 86-01	Thread guide	A	735 61 36-40	Compression ring 4mm	F
412 45 88-01	Thread support	A	735 61 53-40	Compression ring 6mm	F
412 45 89-01	Hook cover	D			
412 45 91-01	Hook cover, window	D			
412 46 13-02	Extension table	K			
412 46 30-02	Back cover	A	ACCESSORIES		
412 46 44-01	Adjusting screw, thread tension	D	401 53 99-01	Buttonhole knife	K
412 46 45-01	Screw, thread tension	D	401 55 55-01	Brush	K
412 46 95-02	Inside tray accessory box	K	411 17 32-01	Button reed	K
			412 01 76-01	Hemmer 10 mm	K
412 47 16-01	Thread tension compl.	D	412 34 66-45	Glide plates	K
412 47 73-01	Case holder compl.	D	412 34 73-01	Gathering foot	K
412 48 09-01	Protector, take up	A	412 38 15-01	Screw driver medium	K
412 49 49-01	Distance sleeve	B	412 38 01-01	Presser foot "B"	K
412 49 80-45	PC-board 535	B	412 38 02-01	Buttonhole foot "C"	K
412 49 80-46	PC-board, 545	B	412 38 04-01	Blind stitch foot "D"	K
412 49 80-47	PC-board, 555	B	412 38 05-01	Zipper foot "E"	K
412 49 80-48	PC-board, 415/425/ Angelica / Victoria	B	412 38 06-01	Edging foot "J"	K
412 49 80-49	PC-board, Lisa	B	412 40 80-01	Buttonhole sensor foot	K
			412 61 76-01	Presser foot "A"	K
412 50 24-03	Cross head compl.	F	OPERATING MANUAL 555/545		
412 51 63-02	Worm gear	D	412 60 81-01	Operating man. Swe	K
412 53 02-02	Plug, card hole	A	412 60 81-06	Operating man. Dan	K
412 53 14-03	Foil key board 555	A	412 60 81-10	Operating man. Jap	K
412 53 14-04	Foil key board 545	A	412 60 81-11	Operating man. Fin	K
412 53 20-02	Foil key board 535	A	412 60 81-21	Operating man. Nor	K
412 53 28-01	Guide 535 Swe	A	412 60 81-26	Operating man. Eng	K
412 53 28-02	Guide 535 Dan	A	412 60 81-31	Operating man. Fra	K
412 53 28-03	Guide 535 Fin	A	412 60 81-36	Operating man. Dutch	K
412 53 28-04	Guide 535 Nor	A	412 60 81-41	Operating man. Ita	K
412 53 28-05	Guide 535 Fra	A	412 60 81-46	Operating man. Spa	K
			412 60 81-51	Operating man. Ger	K
412 53 28-06	Guide 535 Hol	A	412 60 81-56	Operating man. Russian	K
412 53 28-07	Guide 535 Ita	A	412 60 81-82	Operating man. Pol	K
412 53 28-08	Guide 535 Ger	A	412 60 81-90	Operating man. Chz	K
412 53 28-09	Guide 535 Spa	A			
412 53 28-10	Guide 535 Pol	A	OPERATING MANUAL 535		
412 53 28-14	Guide 535 Austria	A	412 60 82-05	Operating man. Swe/Fin	K
412 53 30-01	Stitch plate (is used together with new hook cover version 412 75 31-01)	D	412 60 82-10	Operating man. Jap	K
			412 60 82-15	Operating man. Dan/Nor	K
412 55 01-01	Bobbin case compl.	D	412 60 82-25	Operating man. Fra/Dutch	K
			412 60 82-35	Operating man. Ger/Ita	K
412 56 15-45	Plastic bobbins (10-pac)	D,K	412 60 82-45	Operating man. Eng/Spa	K
412 56 85-01	Dust cover	D	412 60 82-56	Operating man. Russian	K
412 56 86-01	Adjusting washer	D			
412 57 01-01	Sleeve, lamp	K	OPERATING MANUAL 415/425		
412 58 25-01	Screw needle clamp (old version)	F	412 60 96-01	Operating man. Swe	K
412 72 23-01	Screw needle clamp (new version)	F	412 60 96-06	Operating man. Dan	K
412 60 13-01	Lid cover - 415,425	A	412 60 96-11	Operating man. Fin	K
412 60 13-02	Lid cover - Sarah, Lisa	A	412 60 96-21	Operating man. Nor	K
412 60 13-05	Lid cover Angelica	A	412 60 96-26	Operating man. Eng	K
412 60 40-81	Lid cover - 555,545,535	A	412 60 96-31	Operating man. Fra	K
			412 60 96-36	Operating man. Dutch	K
412 60 46-01	Name plate - 545	A	412 60 96-41	Operating man. Ita	K
412 60 46-02	Name plate - 555	A	412 60 96-46	Operating man. Spa	K
412 60 46-03	Name plate - 535	A	412 60 96-51	Operating man. Ger	K
412 60 48-02	Name plate - 425	A	412 60 96-56	Operating man. Russia	K
412 60 48-03	Name plate - 415	A	412 60 96-82	Operating man. Pol	K
412 60 48-09	Name plate - Victoria	A	412 60 96-90	Operating man. Chz	K
412 60 55-01	Foil key board 415	A			
412 60 58-01	Foil key board 425	A	OPERATING MANUAL LISA		
412 60 89-01	Cord device Korea	J	412 65 64-01	Operating man. Swe	K
			412 65 64-06	Operating man. Dan	K
412 62 18-01	Foot pedal- empty	J	412 65 64-11	Operating man. Fin	K
412 65 21-01	Hinge	A	412 65 64-21	Operating man. Nor	K
412 65 60-01	Foil key board Lisa	A	412 65 64-26	Operating man. Eng	K
412 66 34-01	Window- Lisa	A	412 65 64-31	Operating man. Fra	K
412 68 56-01	Eccentric feed	D	412 65 64-36	Operating man. Dutch	K
412 69 74-01	Foil keyboard Angelica	A	412 65 64-41	Operating man. Ita	K
412 73 62-01	Foil keyboard Victoria	A	412 65 64-51	Operating man. Ger	K
412 75 31-01	Hook cover new version (is used together with stitch plate 412 53 30-01)	D			
			OPERATING MANUAL ANGELICA		
721 11 87-50	Pin	F	412 69 77-11	Operating man. FIN	K
721 41 64-50	Pin	C	412 69 77-26	Operating man. ENG	K
721 41 69-70	Pin	E	412 69 77-31	Operating man. FRA	K
721 41 87-70	Pin	D,H	412 69 77-36	Operating man. Dutch	K
721 42 10-10	Pin	D	412 69 77-41	Operating man. ITA	K
725 52 20-05	Screw M3*6	E	412 69 77-51	Operating man. GER	K
725 62 91-01	Screw M4*12	F			
728 52 17-05	Screw M3*3	E,F	OPERATING MANUAL VICTORIA		
728 52 18-05	Screw M5*6 (old version)	F	412 73 65-01	Operating man. Swe	K
412 52 19-05	Screw M5*6 (new version)	F	412 73 65-06	Operating man. Dan	K
728 52 85-05	Screw M4*6	F	412 73 65-11	Operating man. Fin	K
			412 73 65-21	Operating man. Nor	K
728 52 87-05	Screw M4*8	D	412 73 65-26	Operating man. Eng	K
728 53 20-05	Screw M5*5	H	412 73 65-31	Operating man. Fra	K
728 73 20-01	Screw	H	412 73 65-36	Operating man. Dutch	K
728 73 64-05	Screw 6*10 mm	B	412 73 65-41	Operating man. Ita	K
728 82 83-05	Screw M4*4	D,H	412 73 65-51	Operating man. Ger	K
735 21 36-01	Locking washer	B			

A

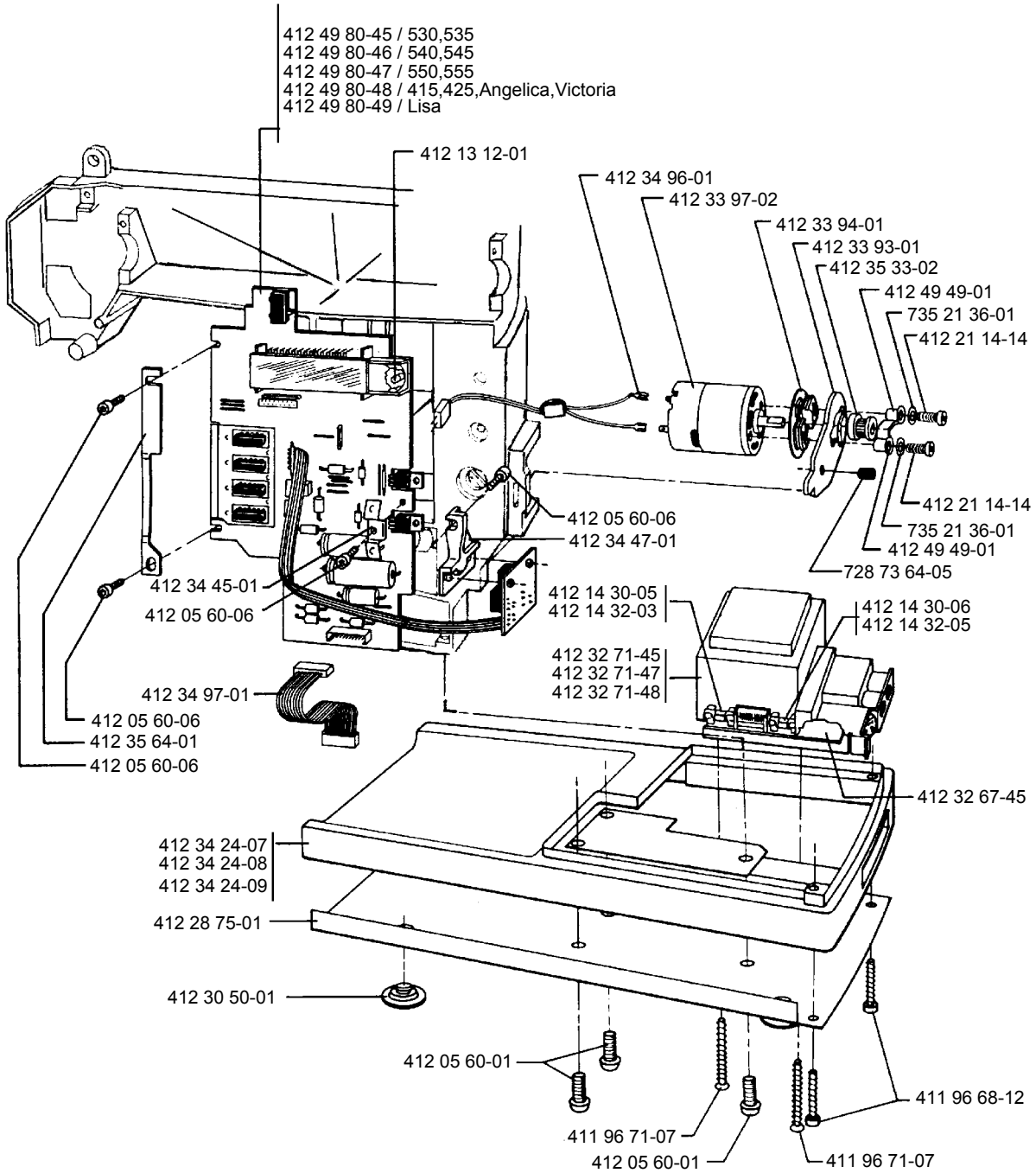


412 45 25-10 / 425
412 45 25-11 / 415
412 45 25-17 / Lisa
412 45 25-21 / Victoria

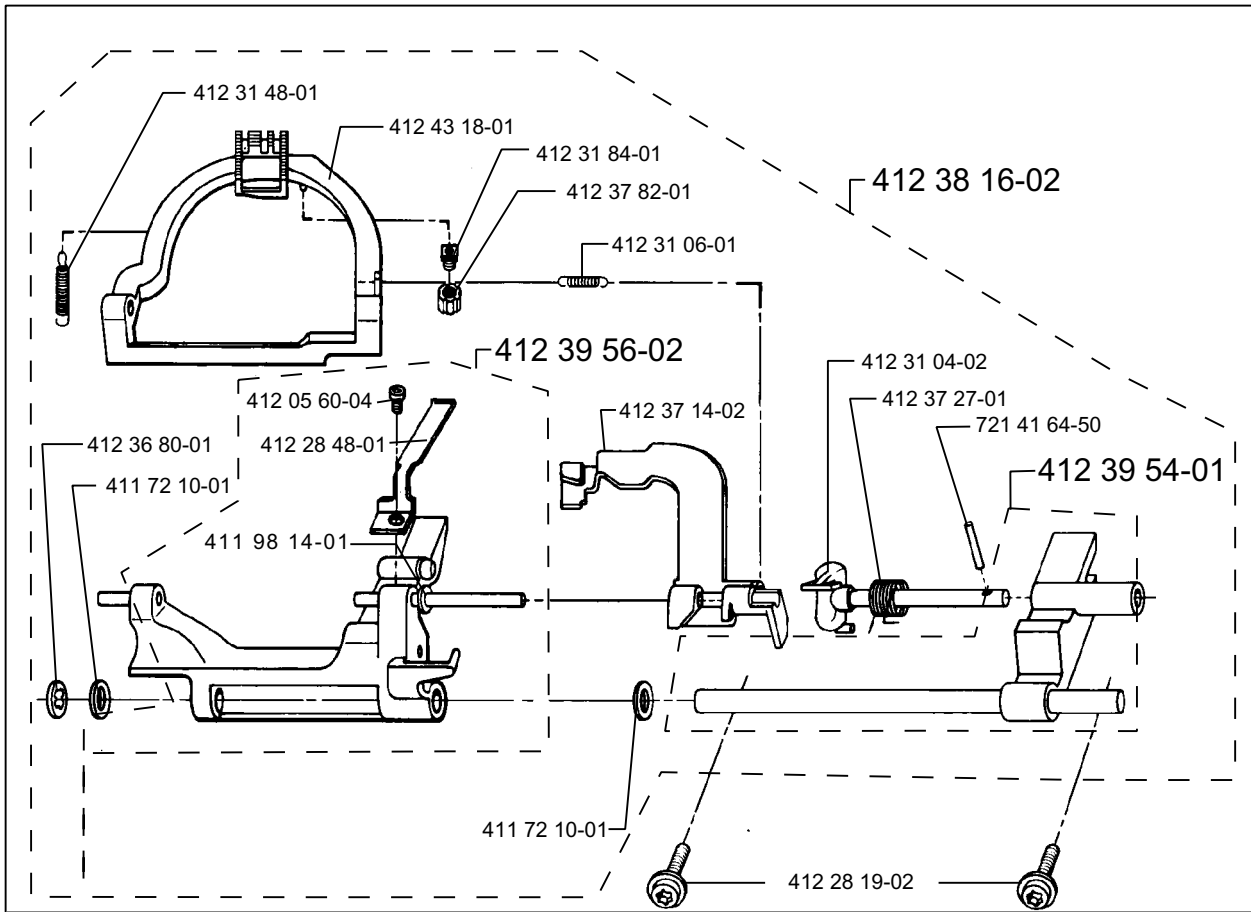
415, 425
Angelica
Lisa
Victoria



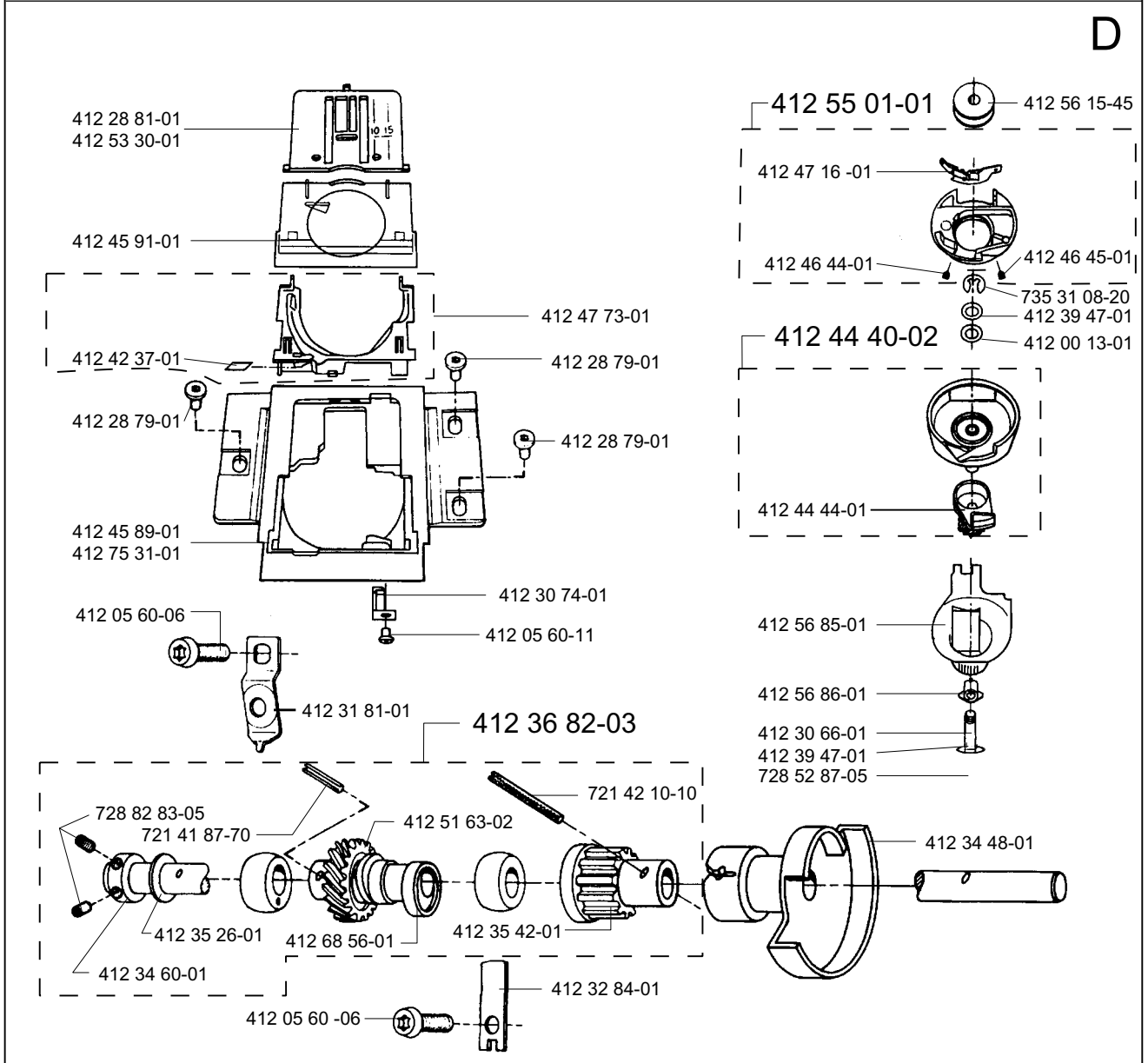
B



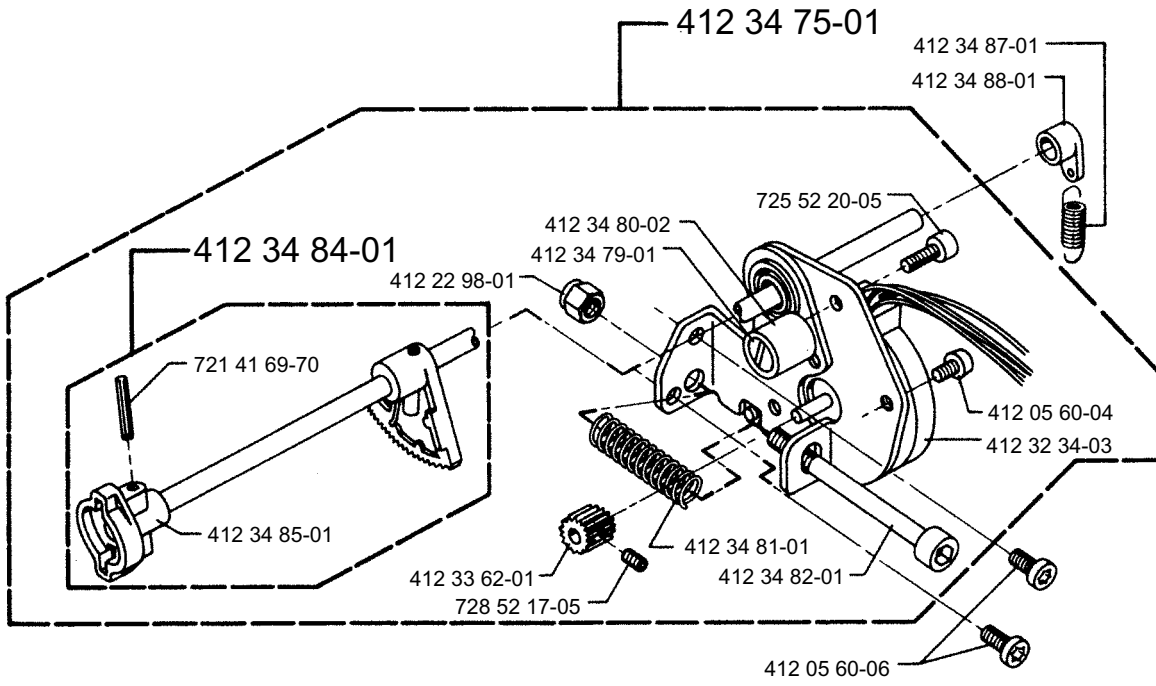
C



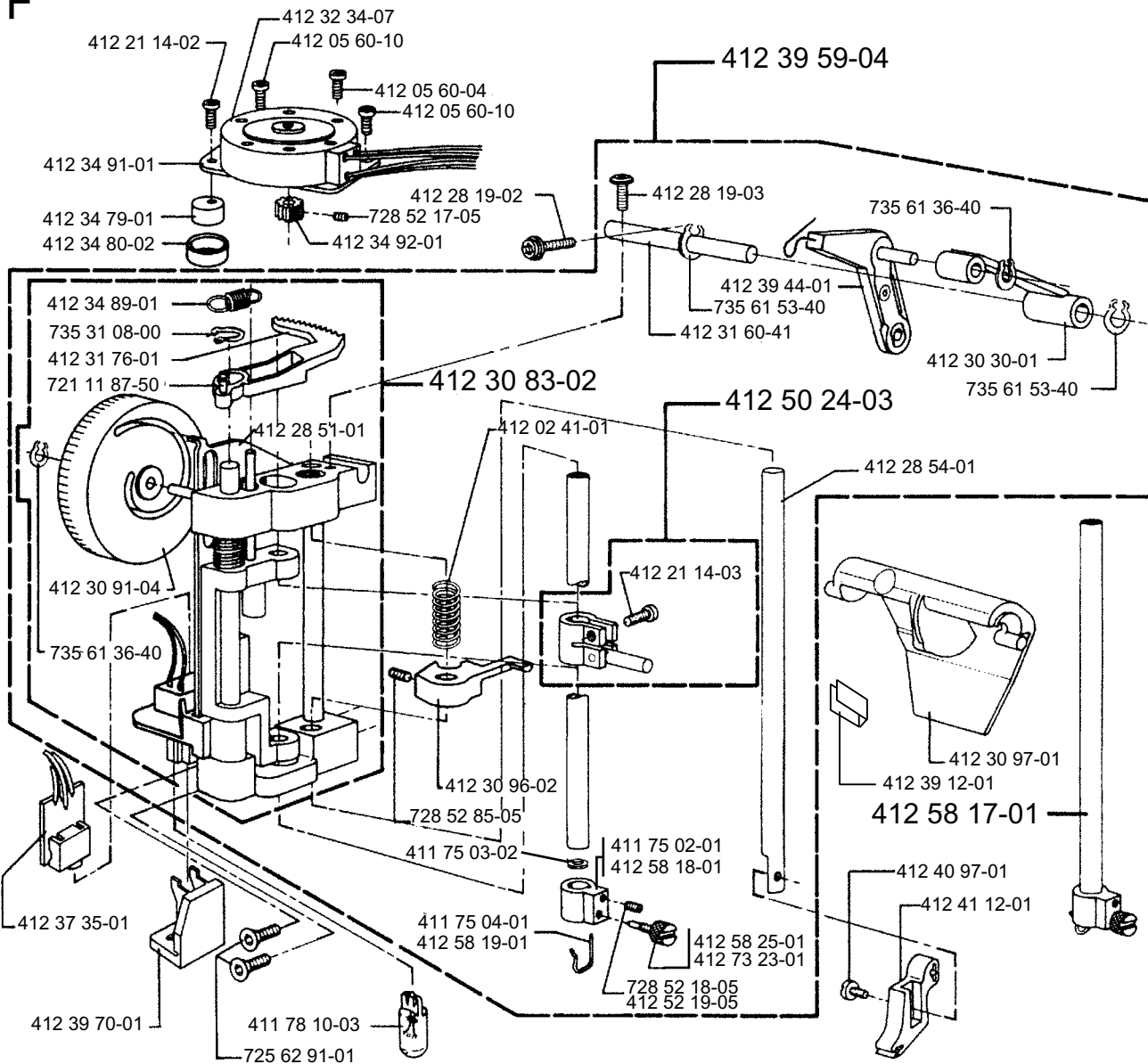
D



E

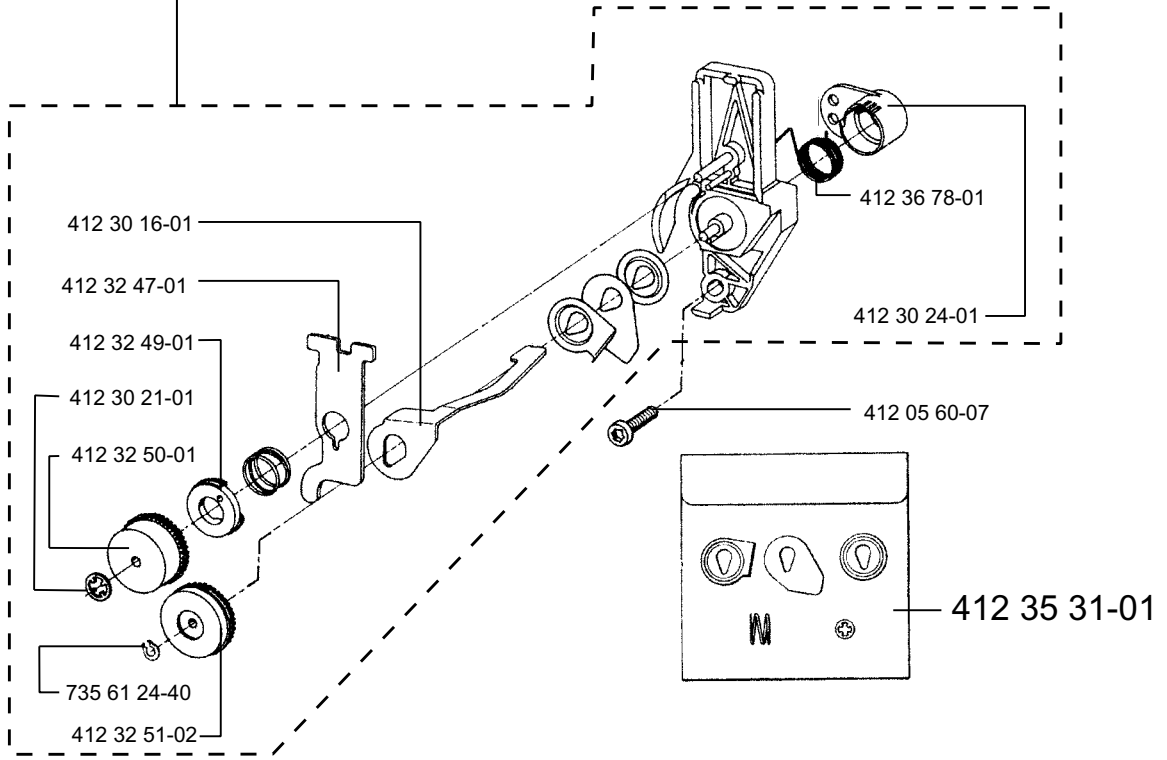


F



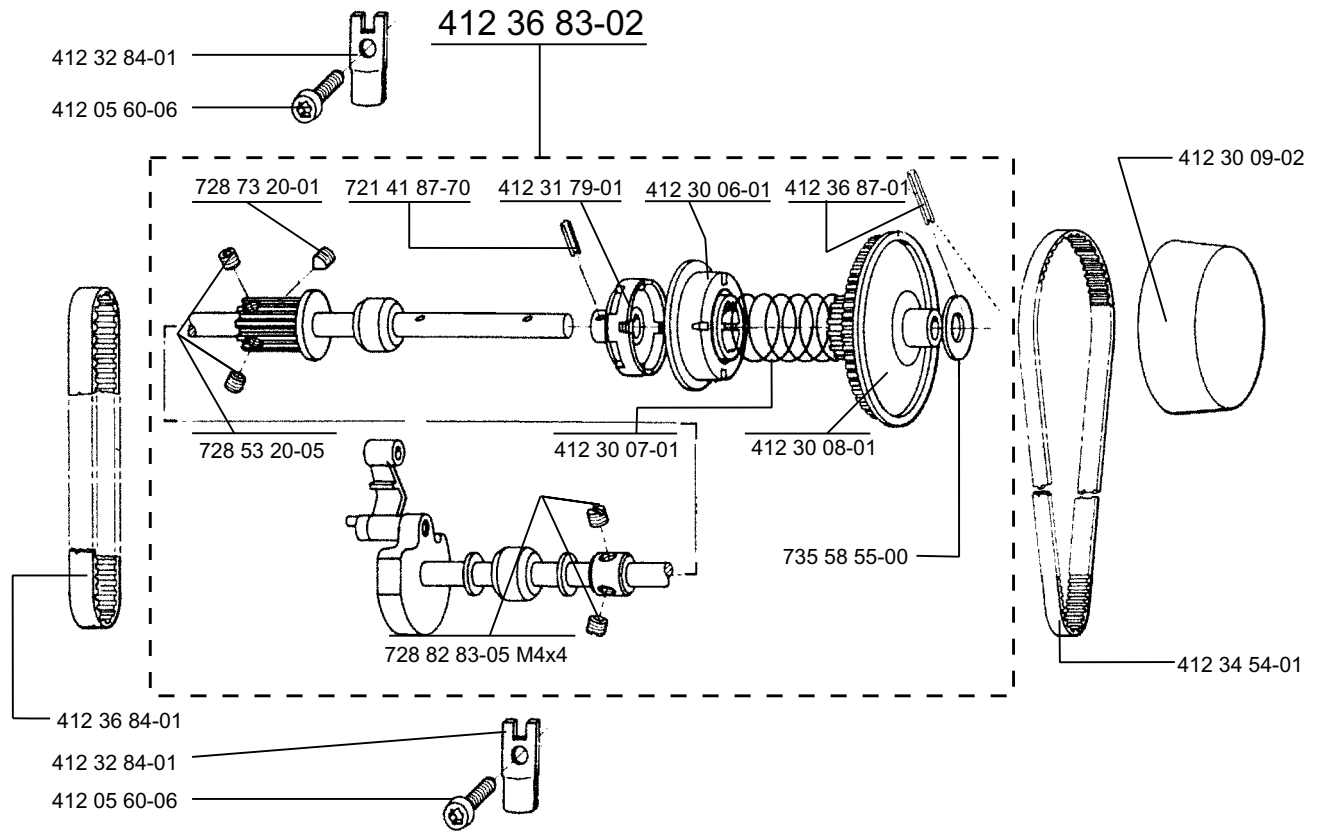
G

412 32 45-03



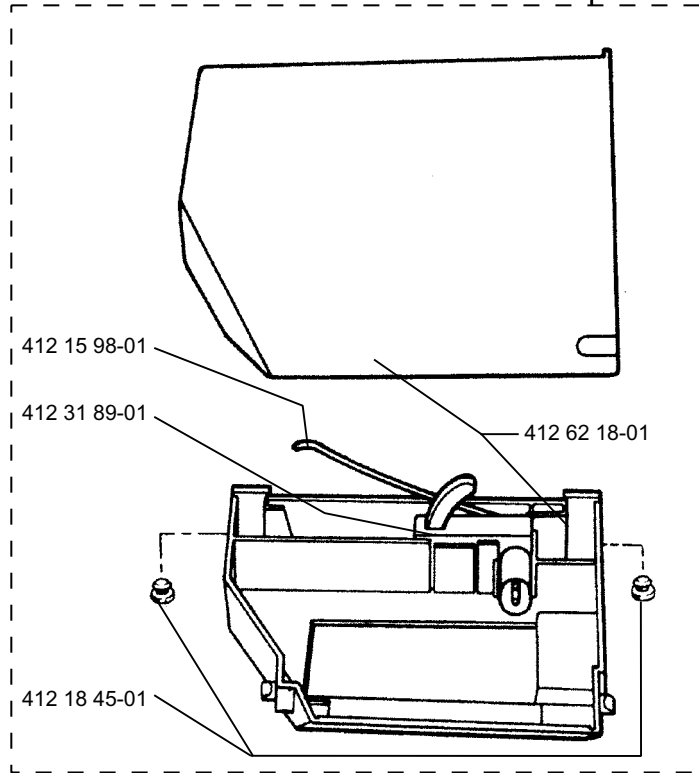
H

412 36 83-02

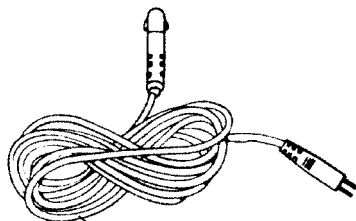
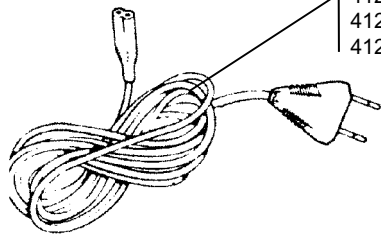


J

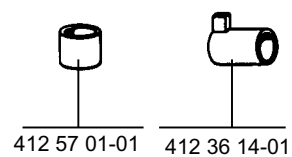
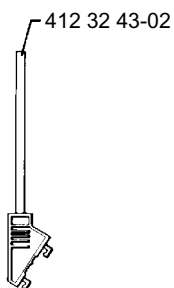
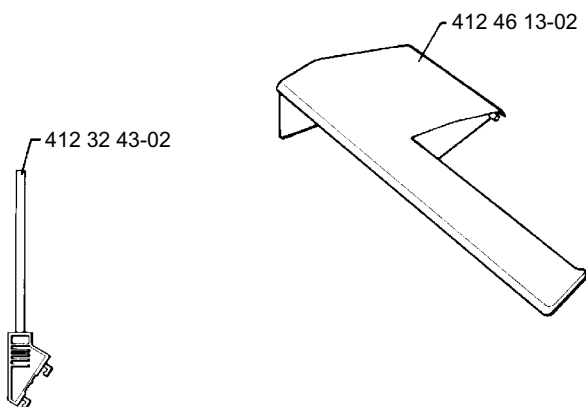
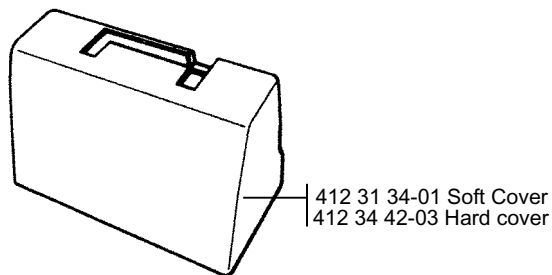
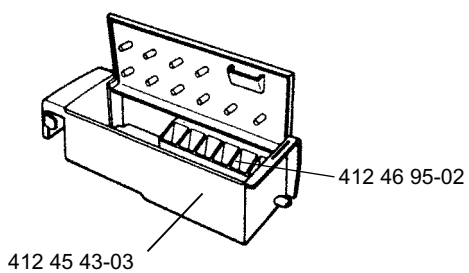
412 31 41-02



- 412 15 78-01 / 220V
- 412 15 79-02 / Japan 120V
- 412 15 79-03 / 120V
- 412 15 80-02 / UK
- 412 15 81-01 / Australia
- 412 60 89-01 / Korea 220-240V



- 412 31 44-01 / Standard
- 412 31 44-02 / USA , Canada



ACCESSORIES



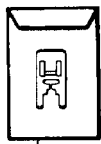
412 35 31-01
Thread tension
set



412 39 09-19
Plastic bag
with access.
555,545.



412 39 09-20
Plastic bag
with access.
535, Lisa.



412 39 09-21
Plastic bag
with access.
415, 425,
Angelica,
Victoria.



412 56 15-45
Plastic bobbins
10 pac.

OPERATING MANUALS

