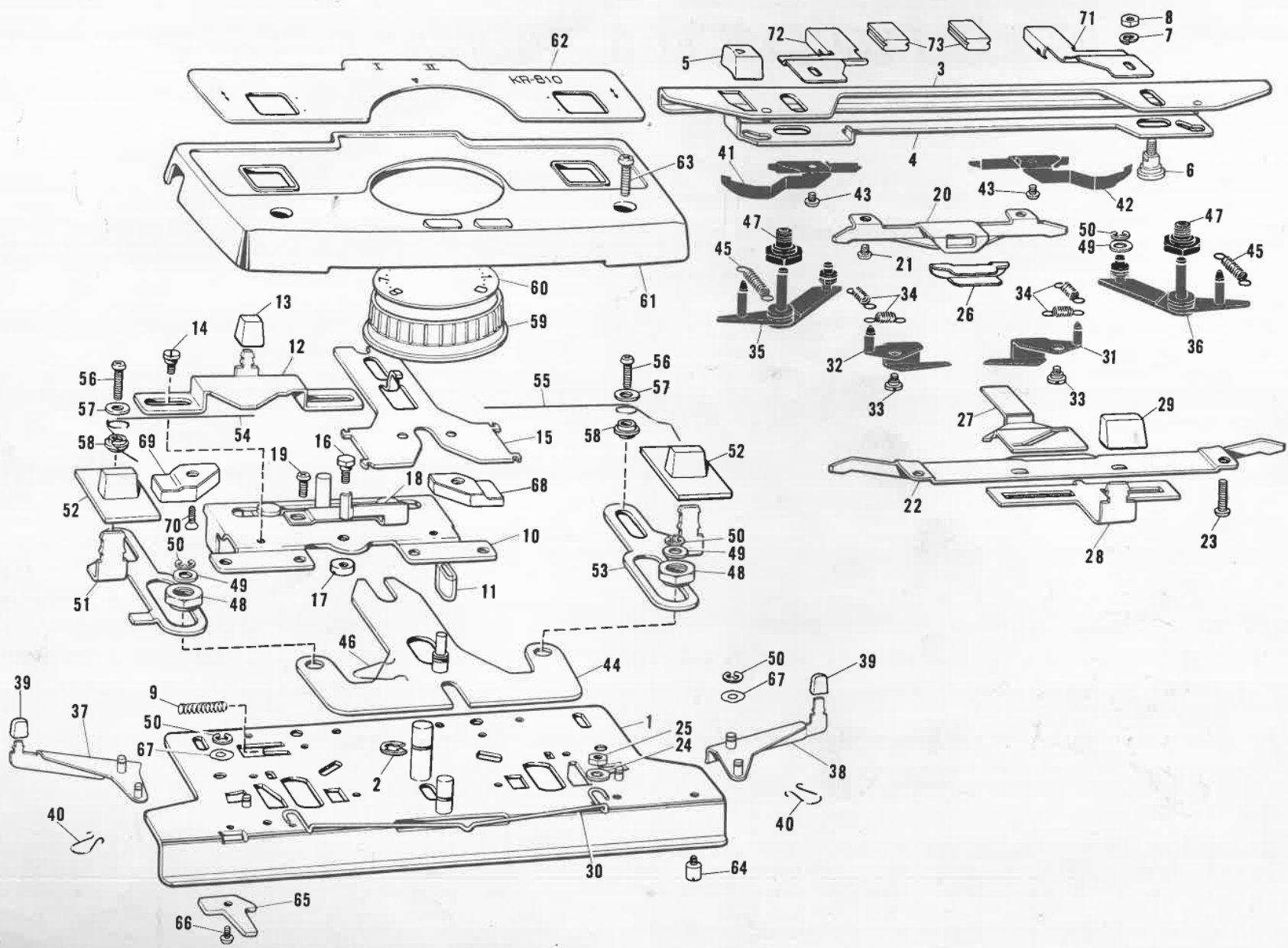


PARTS CATALOGUE FOR MODEL KR-810/110



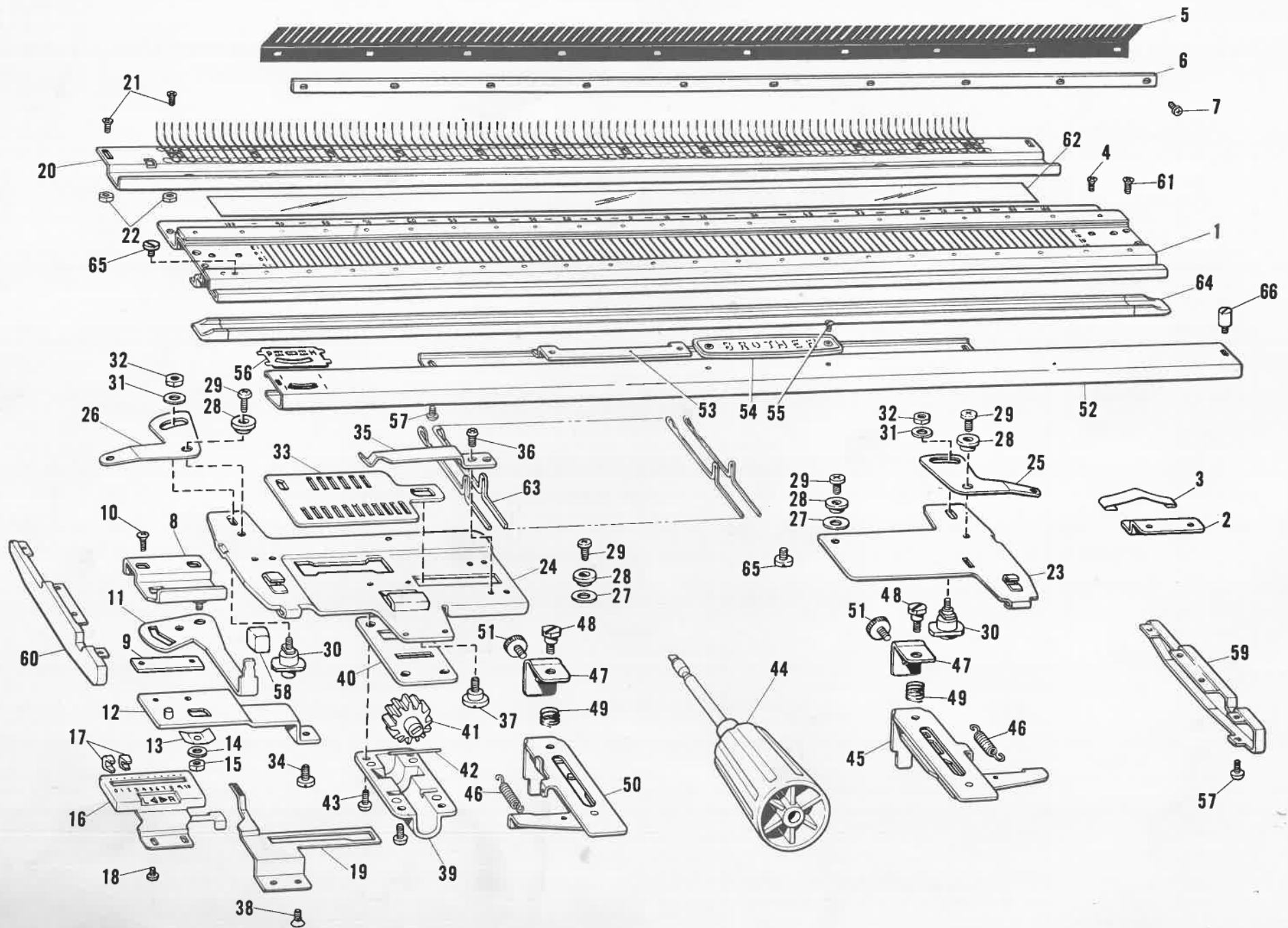
PARTS FOR CARRIAGE

Fig : A

PARTS FOR CARRIAGE

Ref. No.	Parts No.		Description	Q'ty	Price	Ref. No.	Parts No.		Description	Q'ty	Price
	KR-810	KR-110					KR-810	KR-110			
A 1-73	408009001	408003001	Carriage complete set	1		60	405575002		Stitch dial indicating plate	1	
1	407527001	407802001	Carriage plate	1		61-62	408010001	408004001	Carriage cover assembly	1	
2	109574001		Snap ring	1		61	406928001		Carriage cover	1	
3	407656001	406730001	Front foot	1		62	408011001	408005001	Carriage cover decoration plate	1	
4	406734001		Release plate	1		63	000661803		Binding screw 3.18×18	2	
5	406735002		Release knob	1		64	407531001		Carriage stopper screw	1	
6	406736001		Stud screw 4.37	2		65	407542001		Stopper plate	1	
7	028680243		Spring washer 2-4.37	2		66	405664001		Fastening screw 4.37	1	
7-1	407574001		Washer 4.7	2		67	407574001		Washer 4.7	2	
8	021680106		Nut 1-4.37	2		68	407454000		Magnet, right	1	
9	406737001		Front foot spring	1		69	407578000		Magnet, left	1	
10	407529001	407891001	Connection plate holder	1		70	004661203		Flat head screw 3.18×12	2	
11	405591000		Cushion	2		71	407551001	407822001	Magnet holder, right	1	
12	406743001		Slide lever	1		72	407821001		Magnet holder, left	1	
13	406744001		Slide lever knob	1		73	404969000		Carriage magnet	2	
14	406745001		Stud screw 3.18	2							
15	406746001		Slide stopper plate	1							
16	405567001		Bolt 3.57	1							
17	405568001		Stitch adjuster collar	1							
18	404593001		Stitch dial stop spring	1							
19	000660503		Binding screw 3.18×5	2							
20	406747001		Sub stitch cam	1							
21	000660303		Binding screw 3.18×3	2							
22	406748001		Sub raising cam	1							
23	000661603		Binding screw 3.18×16	2							
24	403395001		Washer 3.2	2							
25	021660406		Nut 4-3.18	2							
26	407693001		Slide cam	1							
27	406749001		Tuck cam	1							
28	406751001		Tuck cam operating plate	1							
29	406752001		Tuck cam knob	1							
30	404597001		Tuck cam spring	1							
31	406753001	407804001	Swing cam left	1							
32	406756001	407817001	Swing cam right	1							
33	406758001		Stud for swing cam	2							
34	406759001		Swing cam spring	4							
35	405534001		Stitch cam assembly, right	1							
36	405535001		Stitch cam assembly, left	1							
37	407715001		Change cam assembly, right	1							
38	407719001		Change cam assembly, left	1							
39	407450001		Knob	2							
40	407721001		Change cam spring	2							
41	407722001	406789001	Guide cam, right	1							
42	407723001	406790001	Guide cam, left	1							
43	000660303		Binding screw 3.18×3	2							
44	406760001		Stitch cam guide plate assembly	1							
45	404790001		Raising cam spring	2							
46	404602001		Stitch cam guide plate spring	1							
47	403386001		Stitch cam guide stud bearing	2							
48	404604001		Nut 7.94	2							
49	403387001		Washer 4.6	4							
50	402650001		Snap ring 3.2	6							
51	404606001		Raising cam change plate, left	1							
52	406764001		Raising cam knob	1							
53	404609001		Raising cam change plate, right	1							
54	406766001		Raising cam change spring, left	1							
55	406767001		Raising cam change spring, right	1							
56	000661003		Binding screw 3.18×10	2							
57	400806004		Washer 3.6	2							
58	404613001		Raising cam change plate guide collar	2							
59-60	406699002		Stitch dial assembly	1							
59	406700002		Stitch dial	1							

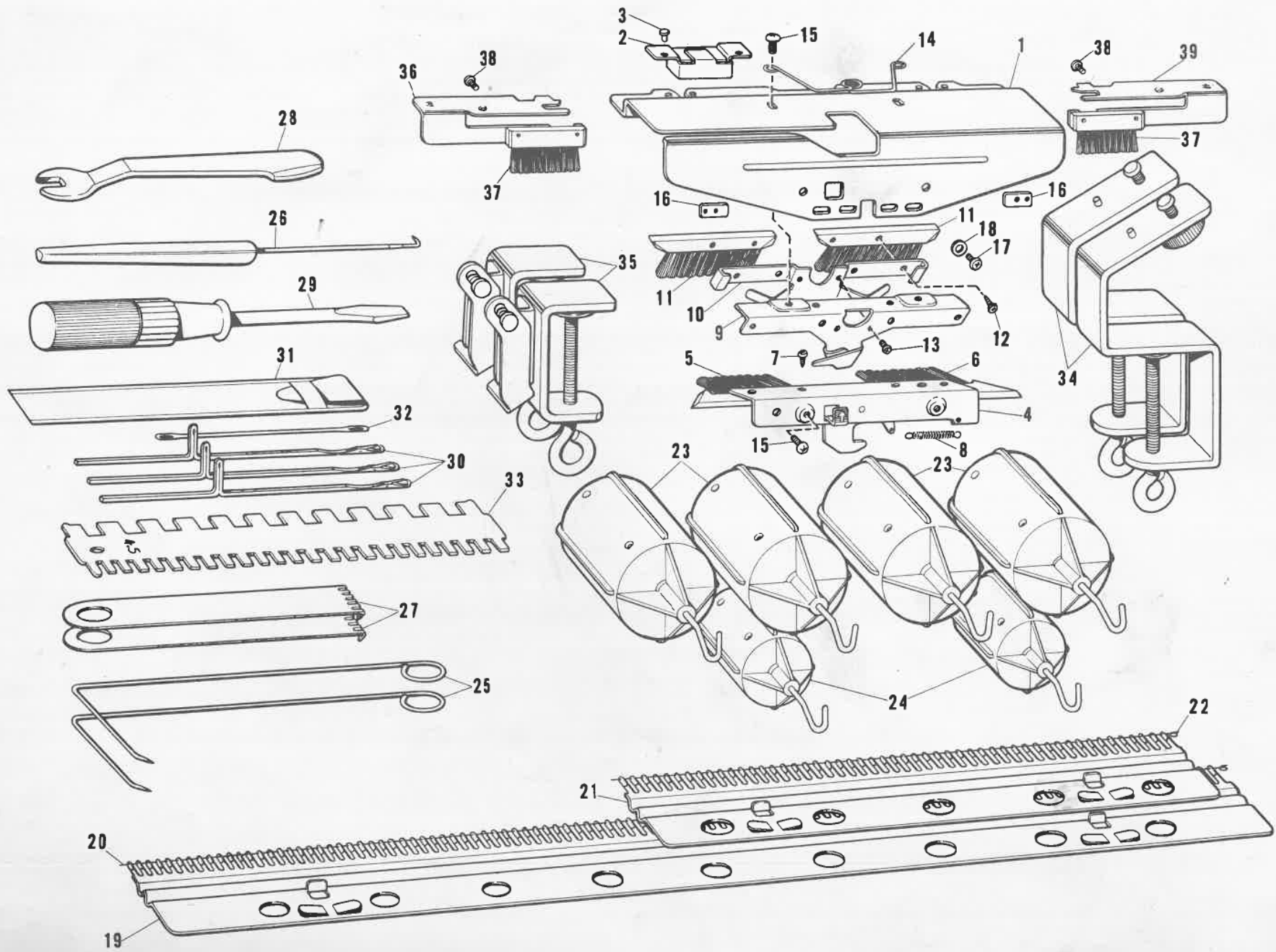
Note: The special parts for KR-110 are listed in column "Parts No. KR-110", and remaining parts are the same as for KR-810.



PARTS FOR NEEDLE BED **Fig: B**

PARTS FOR NEEDLE BED

Ref. No.	Parts No.		Description	Q'ty	Price	Ref. No.	Parts No.		Description	Q'ty	Price
	KR-810	KR-110					KR-810	KR-110			
B 1	407533001	407819001	Needle bed	1		62	403910001		Needle bed protector	1	
2	404627001		Plastic bar guide plate	1		63	404648001	406945001	Purl needle	200	
3	403208001		Plastic bar guide plate spring	1		64	404649001		{ for KR-810..... { for KR-110.....	258	
4	004630704		Flat head screw 2.38×7	2		65	407677001			Plastic bar	1
5	403368001	406935001	Needle retaining spring	1		66	407543001		Screw 4.37×4.5	2	
6	403763000		Needle retaining spring holder	1					Screw 3.18	1	
7	002630403		Fastening screw 2.38×4	10							
8	404935001		Notch adjusting plate assembly	1							
9	403214001		Notch adjusting plate presser plate	1							
10	403215001		Flat head screw 3.18	2							
11	404937001	406936001	Half pitch lever	1							
12	407659001		Notch plate connecting rod	1							
13	403220001		Spring plate	1							
14	402447001		Washer 4.4	1							
15	021680106		Nut 1-4.37	1							
16	403221001	406937001	Racking movement indicator	1							
17	403228001		Pattern range peg	2							
18	406295001		Binding screw 3.18×2.5	2							
19	407661001		Racking movement indicator line	1							
20	406057001	406941001	Needle bed comb assembly	1							
21	004630704		Flat head screw 2.38×7	14							
22	405077001		Nut 2.38	14							
23	403233001		Slide plate, right	1							
24	407663001	407809001	Slide plate, left	1							
25	407664001	403240001	Height adjuster plate, right	1							
26	407665001	403234001	Height adjuster plate, left	1							
27	403235001		Washer	2							
28	403236001		Stud collar	4							
29	405664001		Fastening screw 4.37	4							
30	403237001		Slide plate guide stud	2							
31	402447001		Washer 4.4	2							
32	021680106		Nut 4.37	2							
33	407810001		Notch plate 3.5	1							
34	407677001		Screw 4.37×4.5	1							
35	407669001	407811001	Notch plate spring	1							
36	000660403		Binding screw 3.18×4	2							
37	407670001		Stud screw 4.37	1							
38	004660504		Flat head screw 3.18×5	2							
39	407671000		Gear cover	1							
40	407672001		Gear holding plate	1							
41	407673001		Gear	1							
42	407674000		Grip spring	1							
43	000660603		Binding screw 3.18×6	4							
44	407675001		Grip assembly	1							
45	406772001	407006001	Bracket, right	1							
46	403267001		Lever spring	1							
47	406774001		Bracket stopper	1							
48	406775001		Stud screw 4.76	1							
49	406779001		Bracket spring	1							
50	406777001	407010001	Bracket, left	1							
51	406060001		Thumb screw 4.76	2							
52-56	408007001		Needle bed rear cover assembly	1							
52	407680001		Needle bed rear cover	1							
53	404646000		Reinforcing plate	1							
54	407880001		Name plate	1							
55	102731002		Flat head screw 2.38	2							
56	406781001		Half pitch lever indicator plate	1							
57	008660504		Fastening screw 3.18×5	7							
58	403246003		Half pitch lever knob	1							
59	406046001		Side cover, right	1							
60	406047001		Side cover, left	1							
61	405663001		Flat head screw 3.18	4							



PARTS FOR ACCESSORIES **Fig : C**

PARTS FOR ACCESSORIES

Ref. No.	Parts No.		Description	Q'ty	Price	Ref. No.	Parts No.		Description	Q'ty	Price
	KR-810	KR-110					KR-810	KR-110			
C 1-18	407544001	407812001	Connecting arm assembly	1							
1	407545001	406783001	Connecting arm	1							
2	406784001		Magnet box assembly	1							
3	043209304		Rivet 2×3.5	2							
4	407546001	404662001	Brush arm assembly	1							
5	407548001	405199001	Brush left	1							
6	407550001	405199001	Brush right	1							
7	037280613		Tapping screw 2-2.6	4							
8	406787001		Connecting hook spring	1							
9	407536001	407078000	Yarn feeder	1							
10	407537000		Latch presser, plate	1							
11	405198001	405199001	Brush	2							
12	037280613		Tapping screw 2-2.6	4							
13	406061001		Fastening screw 2.38×2.5	2							
14	406788001		Yarn feeder spring	1							
15	008660504		Fastening screw 3.18×5	4							
16	407549001		Connecting adjuster plate	2							
17	000670504		Binding screw 3.57×5	4							
18	403370003		Washer 3.6	4							
19	403278006	407813001	Cast-on plate, long	1							
20	403279001		Wire, long	1							
21	403280006	407814001	Cast-on plate, short	1							
22	403281001		Wire, short	1							
23	408014001		Large weight	4							
24	408015001		Small weight	2							
25	403285001		Weight hanger	2							
26	403286001		Work hook	1							
27	403313001		Claw weight hanger	2							
28	407706001		Spanner	1							
29	102629004		Screw driver	1							
30	404648001		Spare needle	3							
31	402376001		Spare needle case	1							
32	486101001	407815001	Double eyelet transfer needle	1							
33	406005001	406946001	1/2×3/2 needle pusher	1							
34	407552001	405501001	Table clamp	2							
35	407554001	405507001	Reinforcing table clamp	2							
36-38	406065001		Needle stopper assembly, left	1							
36	406066001		Needle stopper, left	1							
37	406786001		Brush	1							
38	037280613		Tapping screw 2-2.6	2							
37-39	406067001		Needle stopper assembly, right	1							
39	406068001		Needle stopper, right	1							