

PARTS CATALOGUE FOR MODEL KR-586/587

PARTS FOR CARRIAGE			(Improved)		
Ref. No.	Parts No.	Description	KR-586	KR-587	Q'ty
A1-42	405654001	"BROTHER" brand carriage complete	406696001	406696002	1
A1	405639001	Carriage plate	406033001	406033001	1
A2	109574001	Stop ring for A1			1
A3	403167002	Carriage front foot	406035001	406035001	1
A4	404590001	Connecting pin assembly			1
A5	404593001	Stitch dial knob stop spring			1
A6	000670803	Fastening screw, SM3. 57-40×8 for A4	000670703	000670703	2
A7	404594001	Sub stitch cam			1
A8	000660303	Fastening screw, SM3. 18-40×3 for A7			2
A9	404595001	Sub raising cam			1
A10	000661603	Fastening screw, SM3. 18-40×16 for A9			2
A11	403395001	Washer for A9			2
A12	021660406	Nut, SM3. 18-40 for A9			2
A13	404596001	Tuck cam			1
A14	405603001	Tuck cam spring			1
A15	404598001	Tuck cam operating plate			1
A16	404599001	Tuck cam knob	404599002	404599002	1
A17	405604001	Stitch cam assembly, right			1
A18	405607001	Stitch cam assembly, left			1
A19	403202001	Cam release button	403202003	403202003	2
A20	400806004	Washer for A19			2
A21	028350243	Spring washer, 2-M3.5 for A19			2
A22	405630001	Stitch cam guide plate assembly			1
A22a	404607001	Raising cam knob	404607002	404607002	2
A23	405611001	Stitch cam guide plate presser, right			1
A24	405612001	Stitch cam guide plate presser, left			1
A25	405613001	Washer for A23 & A24			4
A26	002660603	Fastening screw, SM3. 18-40×6 for A23 & A24			2
A27	404970001	Raising cam spring	404790001	404790001	2
A28	404602001	Stitch cam guide plate spring			1
A29	404603001	Stitch cam guide plate guide collar			1
A30	002670603	Fastening screw, SM3. 57-40×6 for A29			1
A31	402650001	Stop ring for A17 & A18			2
A32	404611001	Raising cam change spring, right			1
A33	404612001	Raising cam change spring, left			1
A34	000671203	Fastening screw, SM3. 57-40×12 for A22			2
A35	400806004	Washer for A22			2
A36	404613001	Guide collar for A22			2
A37	404614001	Washer for A22	405613001	405613001	2
A38a-b	404615002	Stitch dial assembly	406062001	406699002	1
A38a	404616001	Stitch dial	406700002	406700002	1
A38b	404617002	Stitch dial indicating plate		405575002	1
A39a-h	405655001	"BROTHER" carriage cover assembly	405655002	405655002	1
A39a	405617001	Carriage cover	405617003	405617003	1
A39b	403873005	Carriage cover decoration	403873007	403873006	1
A39c	405152001	"BROTHER" name plate			1
A39d	403875001	Decoration plate, right			1
A39e	403876001	Decoration plate, left			1
A39f	404623001	Position deciding pin			2
A39g	403449001	Snap nut for A39b			4
A39h	403549000	Rivet for A39b			1
A40	000660503	Fastening screw, SM3. 18-40×5 for A39			2
A41	—	Discontinued			—
A42	405633001	Cam release button spring			2
PARTS FOR NEEDLE BED			(Improved)		
Ref. No.	Parts No.	Description	KR-586	KR-587	Q'ty
B1	404932001	Needle bed assembly	406036001	406036001	1
B2	404627001	Plastic bar guide			1
B3	403208001	Plastic bar guide spring			1
B4	004630704	Flat head screw, SM2. 38-56×7 for B2			2
B5	—	Discontinued			—
B6	—	Discontinued			—
B7	403368001	Needle retaining spring			1
B8	403763001	Needle retaining spring holder	403763000	403763000	1
B9	002630403	Fastening screw, SM2. 38-56×4 for B7			10
B10	404935001	Notch adjusting plate assembly			1
B11	403214001	Notch adjusting plate presser plate			1
B12	403215001	Flat head screw for B10			2
B13	404937001	Half pitch lever			1
B14	404938001	Notch plate connecting rod			1
B15	403220001	Spring plate			1
B16	402447001	Washer for B13			1
B17	021680203	Nut, SM4. 37-40 for B13	021680106	021680106	1
B18	403221001	Racking movement indicator			1
B19	403228001	Pattern range peg			2
B20	—	Discontinued			—
B21	402475001	Fastening screw for B18	406295001	406295001	2
B22	404942001	Racking movement indicating line			1

FIGURE "A"

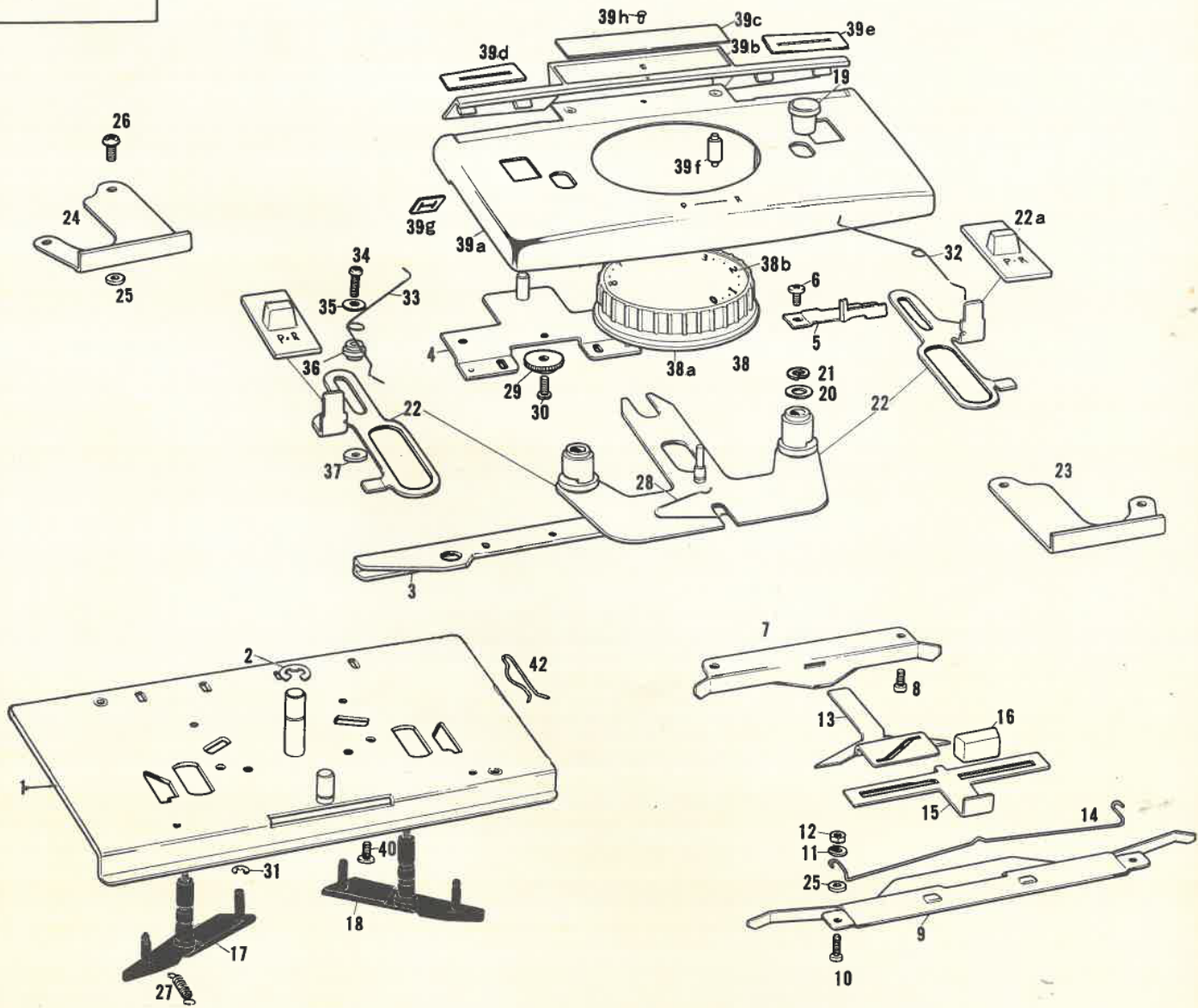


FIGURE "C"

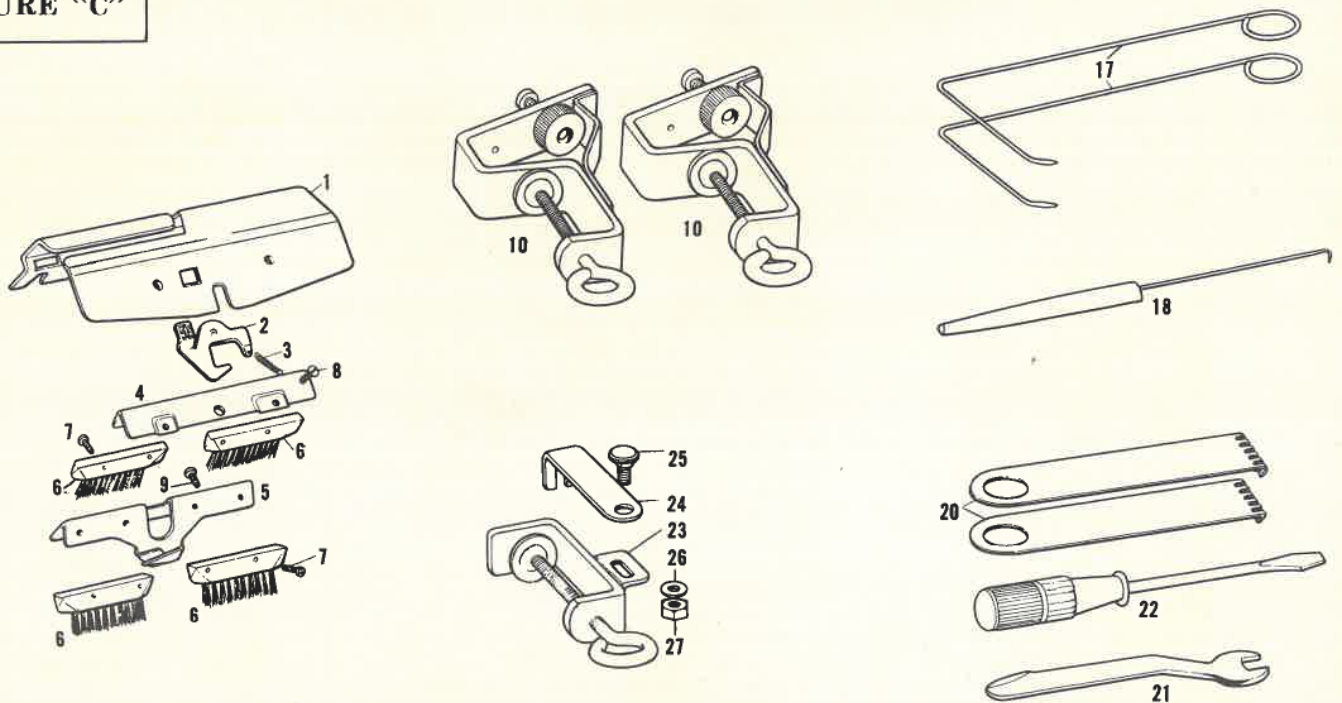
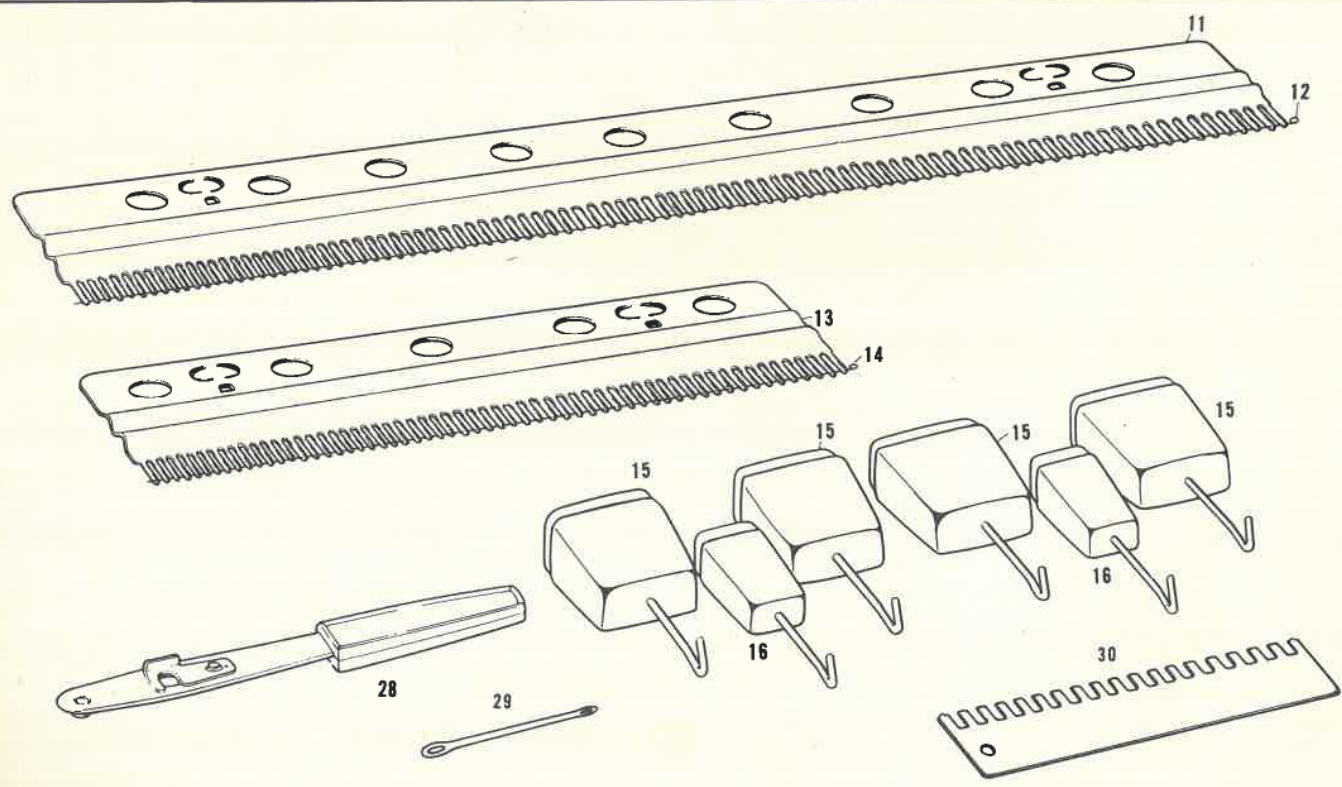
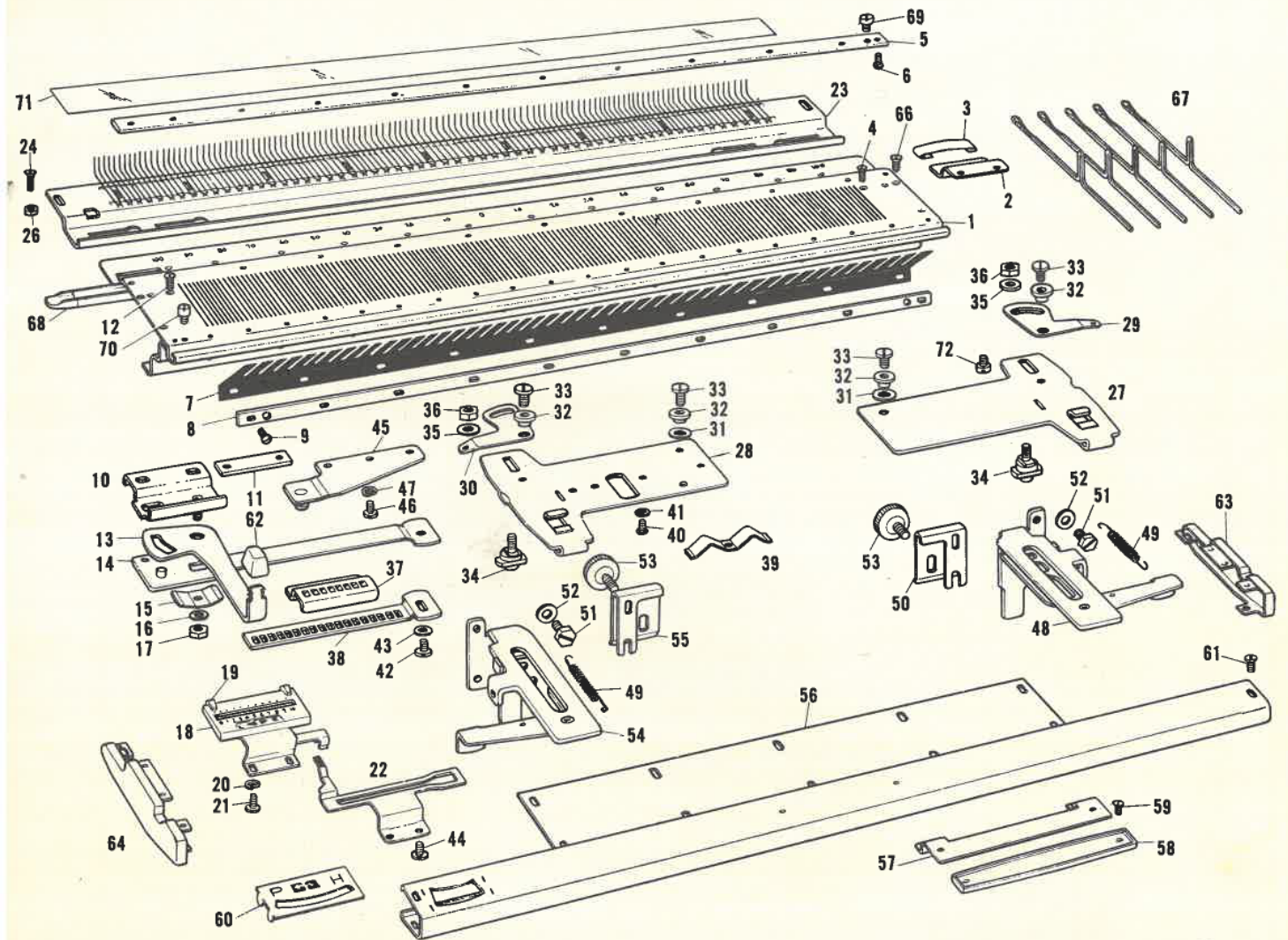


FIGURE "B"



B23	404943001	Needle bed comb assembly	406057001	406057001	1
B24	004630704	Flat head screw, SM2.38-56×7 for B23			14
B25	—	Discontinued			—
B26	405077001	Nut, SM2.38-56 for B23			14
B27	403233001	Slide plate, right			1
B28	403239001	Slide plate, left			1
B29	403240001	High adjuster, right			1
B30	403234001	High adjuster, left			1
B31	403235001	Washer for B27 & B28			2
B32	403236001	Hinge collar			4
B33	405664001	Binding screw for B27 & B28			4
B34	403237001	Slide plate guide stud			2
B35	402447001	Washer for B34			2
B36	403238001	Nut for B34	021680106	021680106	2
B37	403241001	Notch plate, A			1
B38	403242001	Notch plate, B			1
B39	403243001	Notch plate spring			1
B40	002670603	Fastening screw, SM3.57-40×6 for B37			2
B41	028350243	Spring washer, 2-M3.5 for B37			2
B42	405664001	Binding screw for B38			1
B43	402447001	Washer for B38			1
B44	002660503	Fastening screw, SM3.18-40×5 for B22			2
B45	404945001	Racking lever holder			1
B46	002670603	Fastening screw, SM3.57-40×6 for B45			3
B47	—	Discontinued			—
B48	405995001	Bracket, right		406772001	1
B49	403267001	Lever spring			2
B50	405997001	Bracket stopper, right		406774001	1
B51	404965001	Fastening screw for B50 & B54		406775001	2
B52	402447001	Washer for B50 & B54		—	2
B53	405998001	Setting screw for B50 & B54		406060001	2
B54	406000001	Bracket left		406777001	1
B55	406002001	Bracket stopper, left		406774001	1
B56-60	405153001	Needle bed rear cover assembly	406780001	406780001	1
B56	404956003	Needle bed rear cover	406787001	406878001	1
B57	404646001	Needle bed rear cover reinforcing plate			1
B58	404859001	"BROTHER" name plate	404859002	404859002	1
B59	102731002	Flat head screw for B58			2
B60	404964001	Half pitch lever indicator plate	406781001	406781001	1
B61	008660504	Fastening screw, SM3.18-40×5 for B56	408305001	408305001	9
B62	403246001	Half pitch lever knob	403246003	403246003	1
B63	403247001	Side cover plate, right	408190001	408190001	1
B64	403248001	Side cover plate, left	408189001	408189001	1
B65	—	Discontinued			—
B66	405663001	Flat head screw for B1			4
B67	404648001	Purl needle			200
B68	404649001	Plastic bar			1
B69	404655001	Carriage stop screw, A	406042001	406042001	1
B70	404656001	Carriage stop screw, B	406043001	406043001	1
B71	403910001	Needle bed protector			1
B72	404655001	Slide plate stop screw	406042001	406042001	1

PARTS FOR ACCESSORIES

(Improved)

Ref No.	Parts No.	Description	KR-586	KR-587	Q'ty
C1-9	405224001	Connecting arm assembly	405598001	405598001	1
C 1	404658001	Connecting arm			1
C 2	404659001	Latch for connecting			1
C 3	500404001	Latch spring for C2	406787001	406787001	1
C 4	404662001	Brush arm			1
C 5	404663001	Yarn feeder			1
C 6	405199001	Brush			4
C 7	037280613	Tapping screw, 2-2.6×6 for C6			8
C 8	008660504	Fastening screw, SM3.18-40×5 for C4	408305001	408305001	2
C 9	008660504	Fastening screw, SM3.18-40×5 for C5	408305001	408305001	2
C10	—	Discontinued			—
C11	403278006	Cast-on plate, large			1
C12	403279001	Cast-on plate wire, large			1
C13	403280006	Cast-on plate, small			1
C14	403281001	Cast-on plate wire, small			1
C15	403282004	Large weight	408014001	408014001	4
C16	403284004	Small weight	408015001	408015001	2
C17	403285001	Weight hanger			2
C18	403286001	Work hook			1
C19	—	Discontinued			—
C20	403313001	Claw weight hanger	407706001	407706001	2
C21	403288001	Spanner	122739001	122739001	1
C22	102629003	Screw driver			1
C23-27	405507001	Reinforcing table clamp assembly		406791001	2
C23	405508001	Reinforcing table clamp body		406792001	2
C24	404960001	Table clamp arm		406794001	2
C25	403309001	Hinge screw	406795001	406795001	2
C26	402447001	Washer for C25			2
C27	403238001	Nut for C25	021680106	021680106	2
C28	403256001	Racking lever	406800002	406800001	1
C29	486101001	Double eyelet transfer needle			1
C30	402370001	1/1 needle pusher			1
※	406779001	Bracket spring for B50 & B54(for KR587)	—		2



BROTHER INDUSTRIES, LTD. Printed in Japan

K75010101