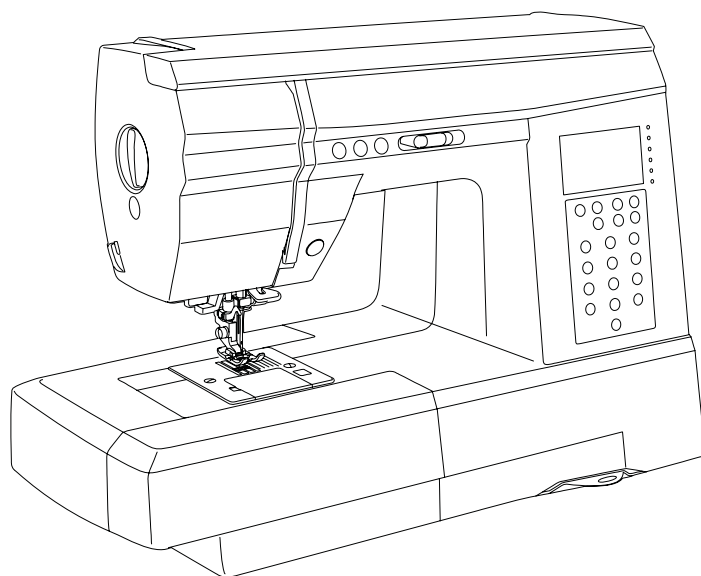
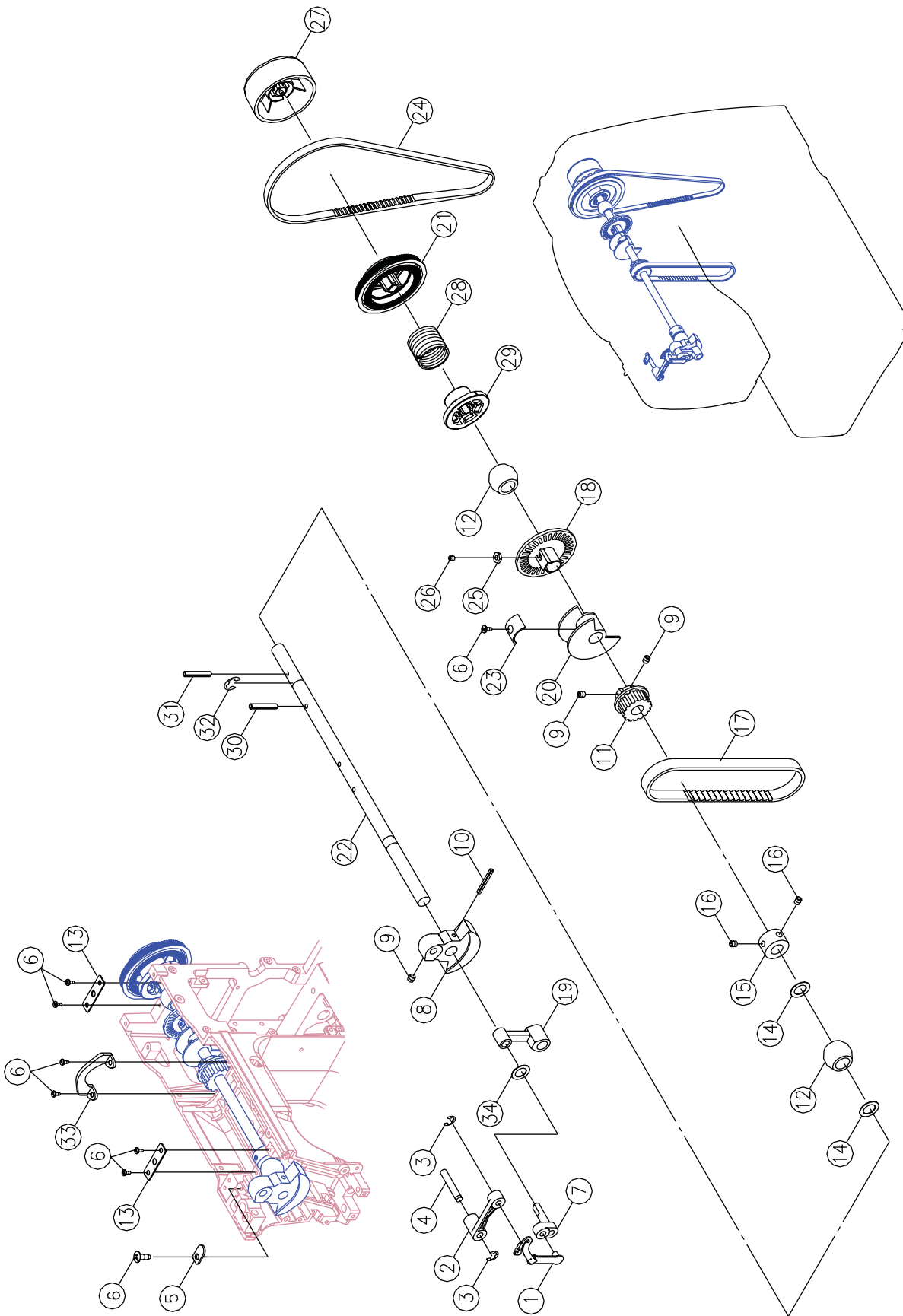


Parts List



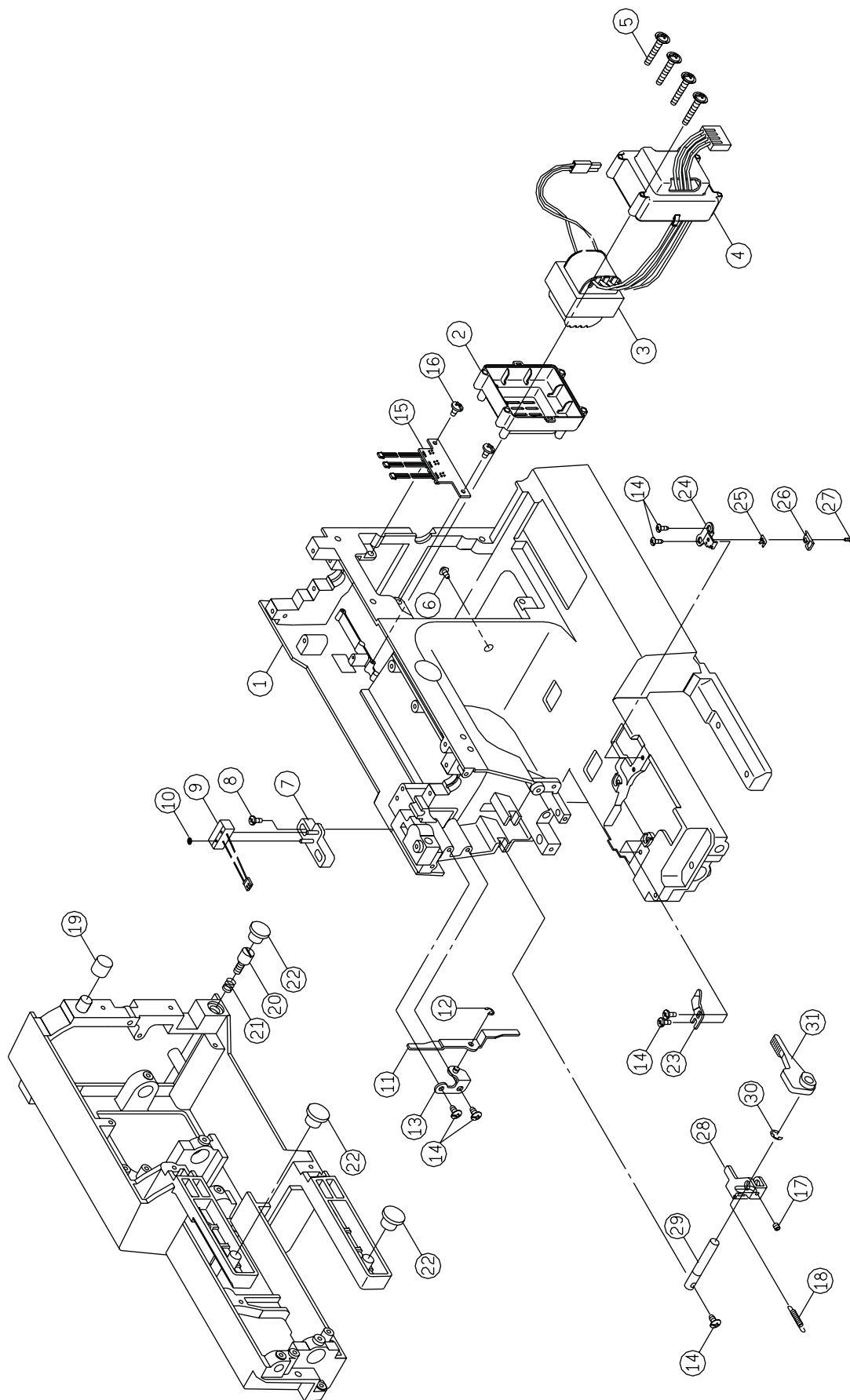
Emerald **203**

A

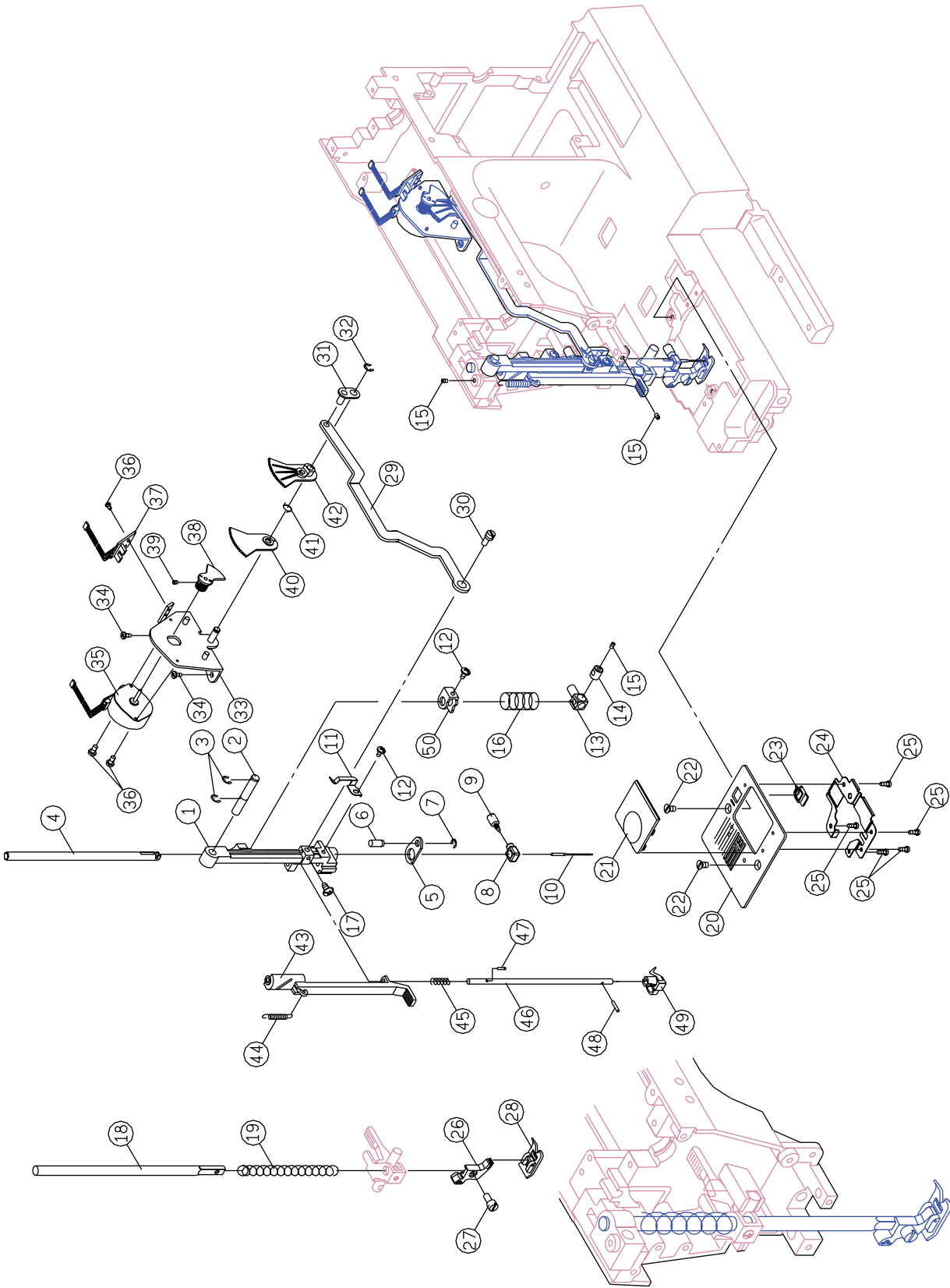


A	No.	Part No.	Description
	1	416310701	Thread take up lever complete
	2	416147701	Thread take up lever supporter
	3	416116001	E-Ring (ETW-3)
	4	416162201	Thread take up lever supporter shaft
	5	416152201	Set washer
	6	416121501	Set screw (M4×8A)
	7	416147801	Arm shaft balance pin complete
	8	416146101	Arm shaft balance
	9	416122101	Set screw (M4×6)
	10	416117701	Arm shaft balance pin (Φ3.5×24)
	11	416150001	Arm shaft sprocket
	12	416156301	Arm shaft bushing
	13	416147601	Arm shaft bushing holder plate
	14	416125101	Endure attrition washer
	15	416156501	Arm shaft collar
	16	416123601	Set screw (M5×5)
	17	416140501	Motor drive belt
	18	416303301	Revolution control panel
	19	416150101	Needle bar crank rod
	20	416133201	Rotary sensor collar
	21	416355501	Arm shaft drive belt pulley
	22	N/A	Arm shaft
	23	416133301	Arc washer
	24	416355601	Motor drive belt (2M-516)
	25	416126501	Nut (M4 t=3)
	26	416121001	Set screw (M4×5)
	27	416308501	Hand wheel
	28	N/A	Arm shaft clutch annulus spring
	29	416307201	Arm shaft collar
	30	N/A	Spring pin (Φ3×28)
	31	N/A	Spring pin (Φ3×30)
	32	N/A	E-Ring (ETW-8)
	33	N/A	Belt protect plate
	34	N/A	Endure att

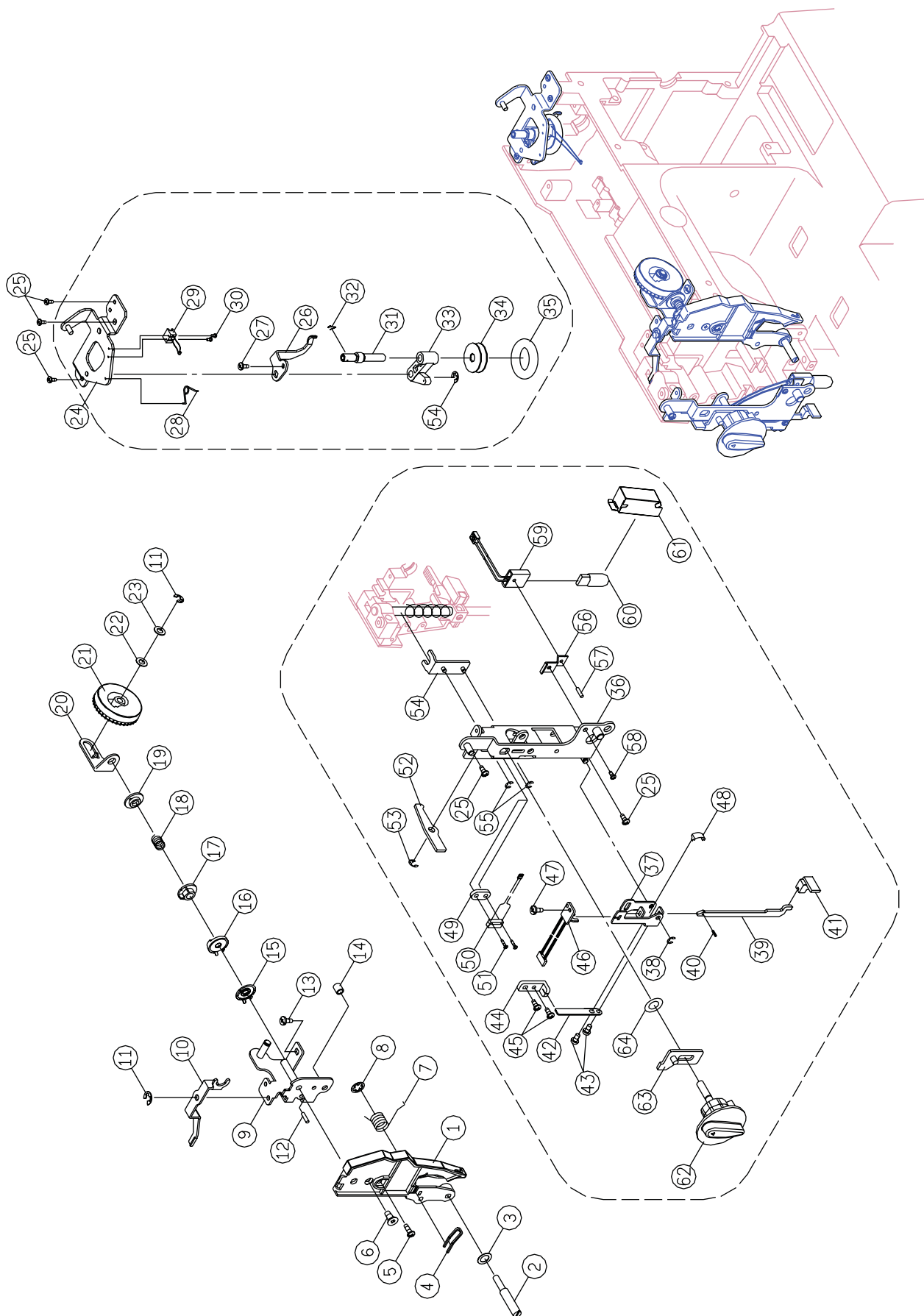
B



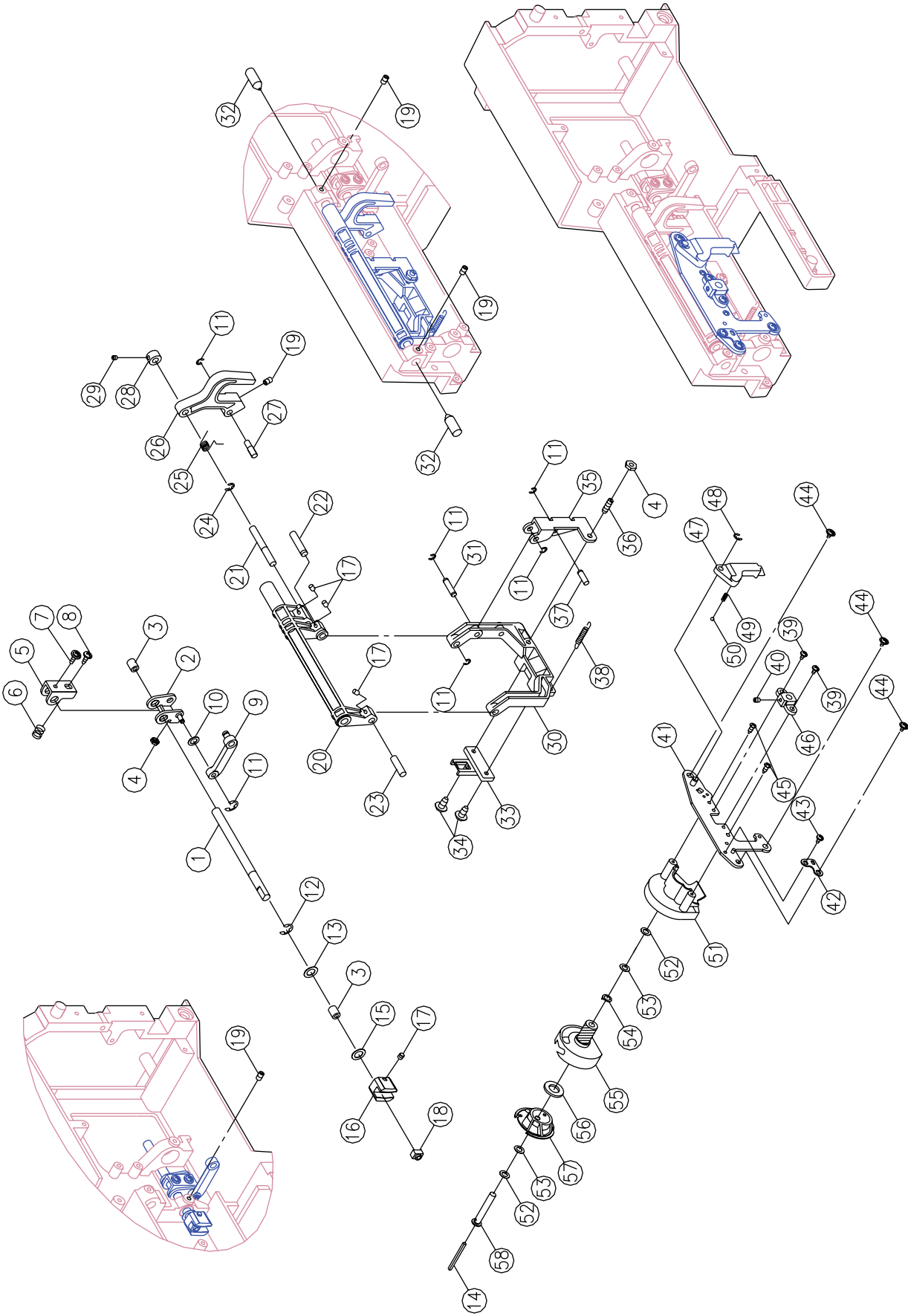
No.	Part No.	Description
1	N/A	Arm
2	416136701	Transformer cover (1)
3	416312101	Transformer (for 120V)
	416312201	Transformer (for 230V)
4	416136801	Transformer cover (2)
5	N/A	Set screw (M4x0.7 L=50)
6	N/A	Set screw (M4*8)
7	N/A	Micro switch seat(2)
8	416121101	Set screw (M4x10B)
9	416303701	Micro switch complete
10	N/A	Cs ring (cstw-2)
11	416141601	Movement plate supporter
12	416116001	E-Ring (ETW-3)
13	416141501	Movement plate supporter (1)
14	416121201	Set screw (M4x6B)
15	416303401	Photo sensor complete
16	416121501	Set screw (M4x8A)
17	416121001	Set screw (M4x5)
18	416146201	Presser bar bracket spring
19	416152901	Free arm base cushion rubber
20	416154601	Base plate adjustment screw
21	416147301	Base plate adjustment screw spring
22	416147001	Adjustment free arm base cushion rubber
23	416144001	Rotary hook plate
24	416144101	Rotary hook plate (2)
25	416149901	Rotary hook plate spring (2)
26	416149801	Rotary hook plate spring (1)
27	416119001	Set screw (M2x2.5)
28	416141001	Presser bar bracket
29	416145601	Presser bar lifter lever shaft
30	416116301	E-Ring (ETW-5)
31	416141101	Presser bar lifter lever



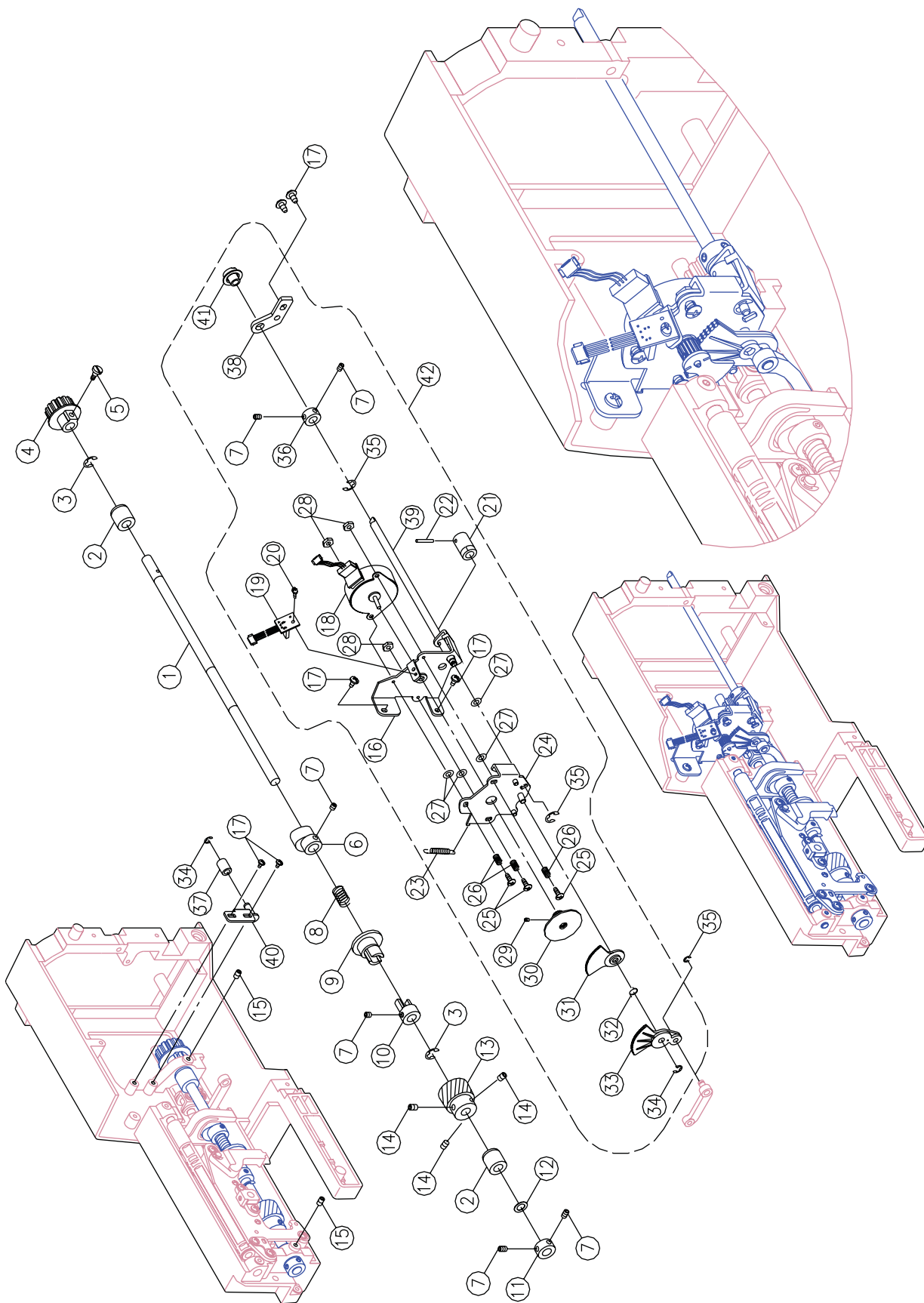
No.	Part No.	Description
1	416140601	Needle bar supporter
2	416145201	Needle bar supporter pin
3	416117801	E-Ring (ETW-5)
4	416307301	Needle bar
5	416141201	Needle bar supporter plate
6	416141301	Needle bar supporter plate pin
7	416116101	E-Ring (ETW-4)
8	416307501	Needle clamp
9	416307701	Set screw
10	411789001	Needle
11	416173901	Needle bar driving rod spring plate
12	416119201	Set screw (M3×6A)
13	416151101	Needle bar bracket (1)
14	416151201	Needle bar bracket (2)
15	416122401	Set screw (M4×4)
16	416151601	Tension lever lifter spring
17	416118501	Set screw (9/64×40×5)
18	416307801	Presser bar
19	416187701	Presser bar spring
20	416355701	Needle plate
21	416309501	Needle plate cover
22	416122901	Set screw (M4×6)
23	416155201	Needle plate cover open
24	416355801	Needle plate supporter
25	N/A	Set screw (SM3/32x56 L2.3)
26	416304001	Shank complete
27	N/A	Shank complete set screw
28	N/A	Zigzag presser foot complete
29	416134001	Needle bar driving rod
30	N/A	Needle bar driving rod pin
31	416134101	Needle bar driving rod plate
32	416116201	E-Ring (ETW-4)
33	416133501	Zigzag pulse motor plate
34	416121501	Set screw (M4×8A)
35	416303901	Pulse motor
36	416120601	Set screw (M3×5A)
37	416303101	Photo sensor complete
38	416133601	Pulse motor gear
39	416120001	Set screw (M3×3)
40	416133701	Zigzag crank (1)
41	416133901	Crank spring
42	416133801	Zigzag crank (2)
43	416355901	Auto threaded lever
44	416155001	Auto threaded lever spring
45	416157401	Auto threaded shaft spring
46	416140701	Auto threaded shaft
47	416117201	Spring pin (Φ2×14)
48	416117101	Spring pin (Φ2×6 t=0.4)
49	416145801	Auto threaded
50	416356001	Auto threaded stopper (1)



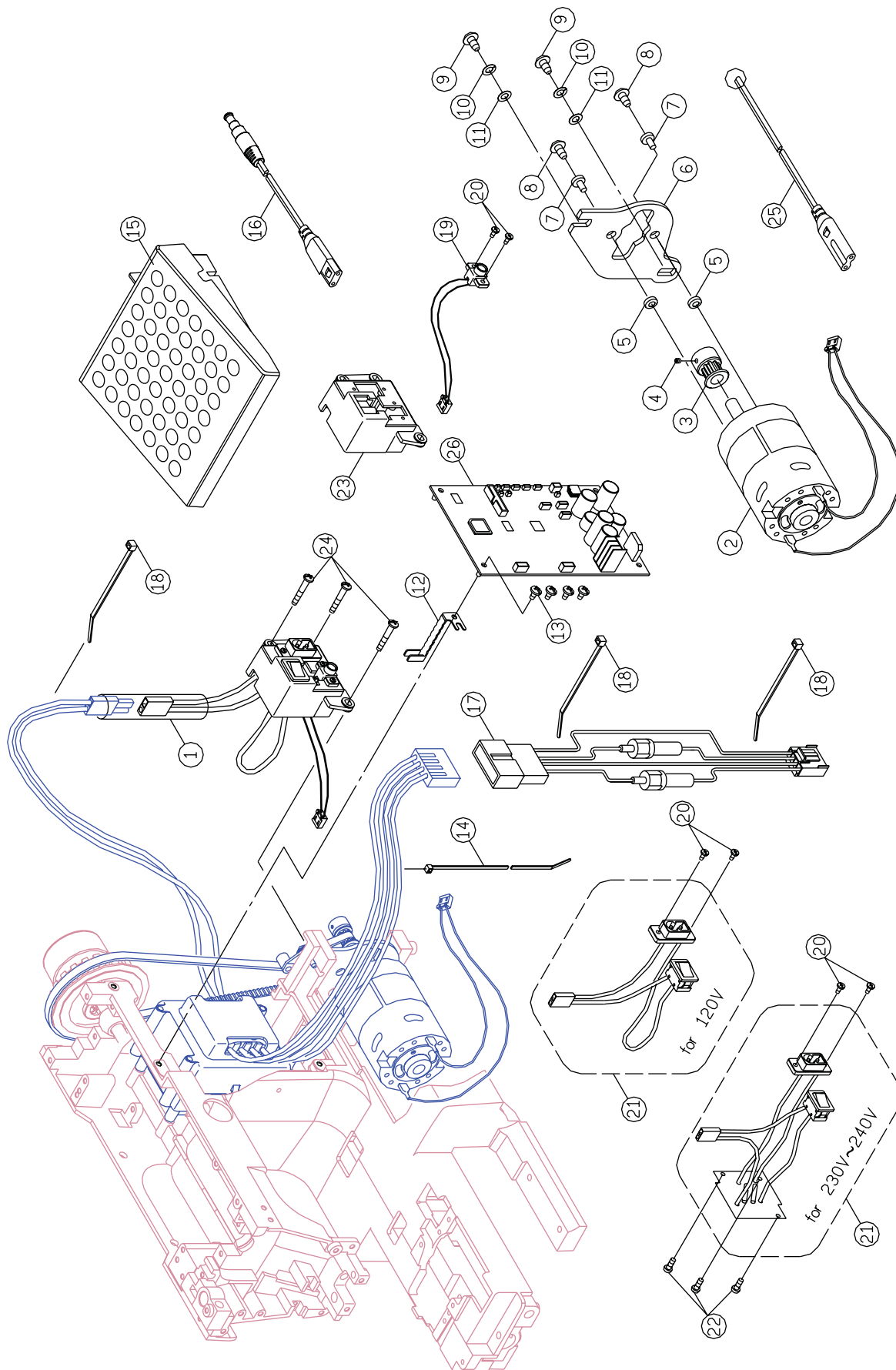
No.	Part No.	Description
1	416356101	Dial tension supporter plate cover
2	N/A	Set screw (M4)
3	416124101	Washer (4.2×8×0.8)
4	416171301	Thread guide
5	416121701	Set screw (M4×15B)
6	416121901	Set screw (M4×6)
7	416356201	Thread guide spring
8	416116801	CS ring
9	N/A	Dial tension supporter plate
10	416145701	Dial tension waft plate
11	416116101	E-Ring (ETW-4)
12	416117501	Pin
13	416121201	Set screw (M4×6B)
14	416151701	Dial tension guide spring tube
15	416153601	Dial tension disc (1)
16	416146301	Dial tension disc
17	416156701	Dial tension spring regulator
18	416155901	Dial tension spring
19	416153801	Dial tension regulator
20	416356301	Dial tension spring plate
21	416316001	Dial tension knob
22	416126001	Washer (ww-5)
23	416124501	Washer (5.2×10×0.5)
24	N/A	Bobbin winder plate
25	416121501	Set screw (M4×8A)
26	N/A	Bobbin winder Clutch rod
27	N/A	Set screw (M3×6B)
28	416356401	Bobbin winder crank spring
29	416303501	Micro switch
30	416119101	Set screw (M2×7.5)
31	N/A	Bobbin winder crank
32	N/A	Bobbin winder crank spring
33	N/A	Bobbin winder crank
34	N/A	Bobbin winder pulley
35	416309201	Bobbin winder rubber pulley
36	N/A	BH lever plate
37	416135201	BH lever crank
38	416116201	E-Ring (ETW-4)
39	416144301	BH lever
40	416117001	Spring pin (Φ1.6×5)
41	416310901	BH lever button
42	416135401	BH lever crank spring
43	N/A	Set screw (M3×5B)
44	416135301	BH movement crank
45	N/A	Set screw (M3×5A)
46	416303201	Photo sensor complete
47	416120601	Set screw (M3×0.5×5A)
48	416144201	BH spring plate
49	N/A	Micro switch set
50	416303601	Micro switch (B/H)
51	N/A	Set screw (M2×10 B)
52	N/A	Pressure plate crank
53	416186501	Washer (8.2×12×0.5)
54	N/A	Presser bar spring holder plate
55	416116001	E-Ring (ETW-3)
56	N/A	Lamp receptacle
57	416119201	Pin
58	416119201	Set screw (M3*6 A)
59	N/A	Supply cord
60		Lamp
61	N/A	Lamp resistant plate
62	416308701	Pressure adjusting button
63	N/A	Pressure plate
64	416186201	Washer (5.2×10×0.2)
65	416116601	E-Ring (ETW-5)



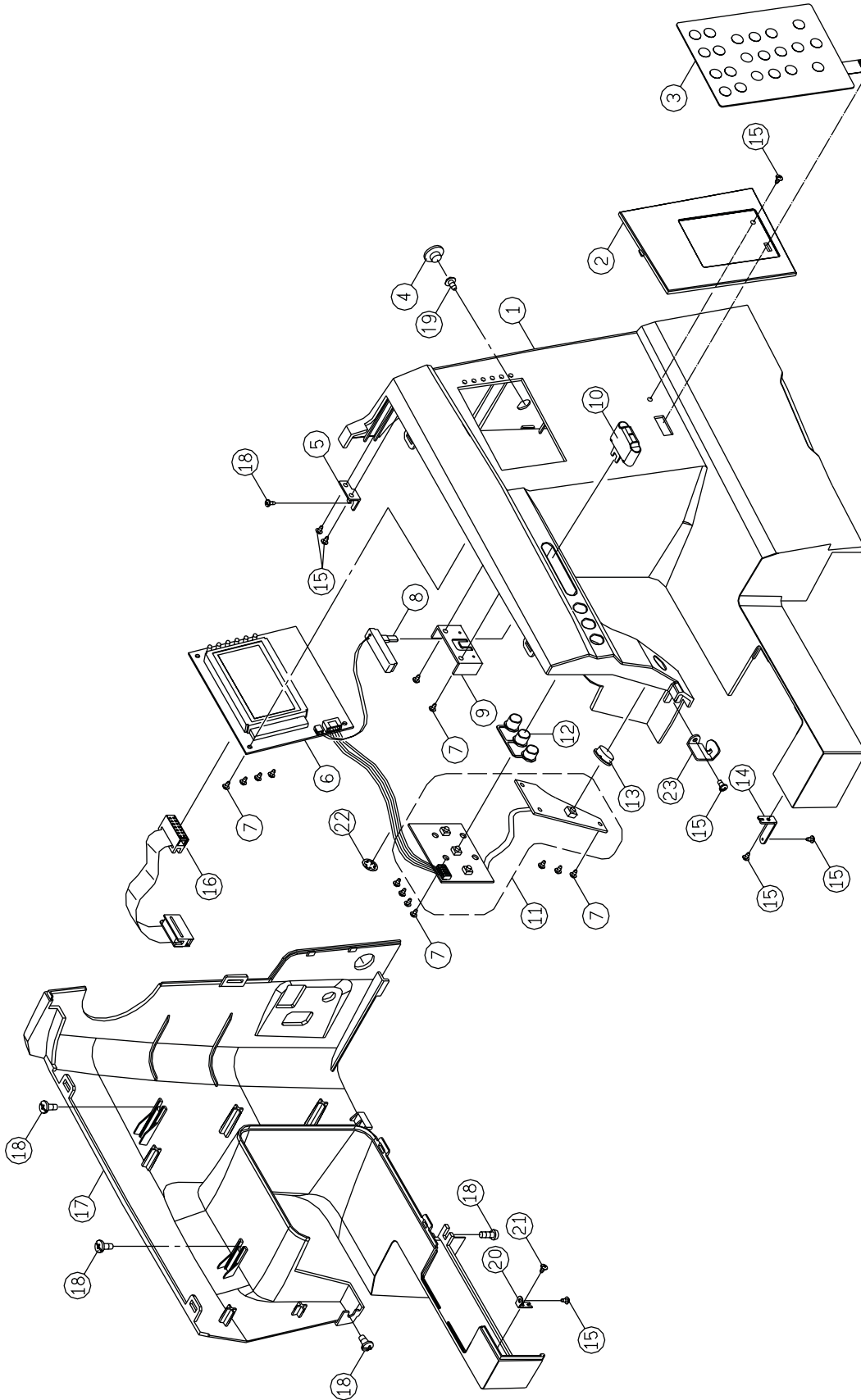
No.	Part No.	Description
1	N/A	Feed regulating shaft
2	416134701	Feed regulating crank
3	416156901	Feed rock bushing
4	416126801	Adjusting nut (ALN-4)
5	416134601	Feed crank
6	416134801	Feed regulating crank spring
7	416120801	Set screw (M3×0.5 L12)
8	416123401	Feed regulating crank set screw
9	416136101	Feed rock rod
10	416124101	Washer (4.2×8×0.8)
11	416116001	E-Ring (ETW-3)
12	416116601	E-Ring (ETW-5)
13	416124001	Washer (6.7×12×1)
14	416155801	Bobbin shaft oil cloth
15	416125601	Endure attrition washer
16	416356501	Feed regulating
17	416122401	Set screw (M4×4)
18	416356601	Feed regulating block
19	416122101	Set screw (M4×6)
20	N/A	Feed rock shaft
21	416135601	Feed rock bushing pin
22	416142901	Feed rock frame shaft (1)
23	416142701	Feed rock frame shaft (2)
24	416116101	E-Ring (ETW-4)
25	416135001	Feed shaft spring
26	416134901	Feed rock crank
27	416149501	Feed rock crank pin
28	N/A	Feed rock shaft collar
29	416120001	Set screw (M3×3)
30	416142801	Feed rock frame
31	416143001	Feed lifting rock crank pin (1)
32	N/A	Feed crank shaft
33	416148201	Feed dog
34	416118201	Set screw (SM 1/8×44×5)
35	416148601	Feed lifting rock crank
36	416122701	Feed back crank screw
37	416143101	Feed lifting rock crank pin (2)
38	416146401	Feed dog frame spring
39	416121501	Set screw (M4*8A)
40	416121001	Set screw (M4×5)
41	416143301	Rotary hook holder
42	416143501	Rotary hook holder positioned plate
43	416121201	Set screw (M4×6B)
44	N/A	Set screw (M4×8)
45	416119501	Set screw (M3×12)
46	416143401	Rotary hook supporter
47	416143701	Feed lifting shaft
48	N/A	E-Ring (ETW-4)
49	416145001	Feed lifting shaft spring
50	416152101	Steel ball
51	416143601	Shuttle hook cover
52	416155601	Bobbin shaft washer (2)
53	416125901	Endure attrition washer
54	416155701	Bobbin shaft washer (3)
55	416156001	Shuttle hook holder
56	416155501	Magnet
57	416148001	Shuttle hook
58	416145401	Bobbin shaft



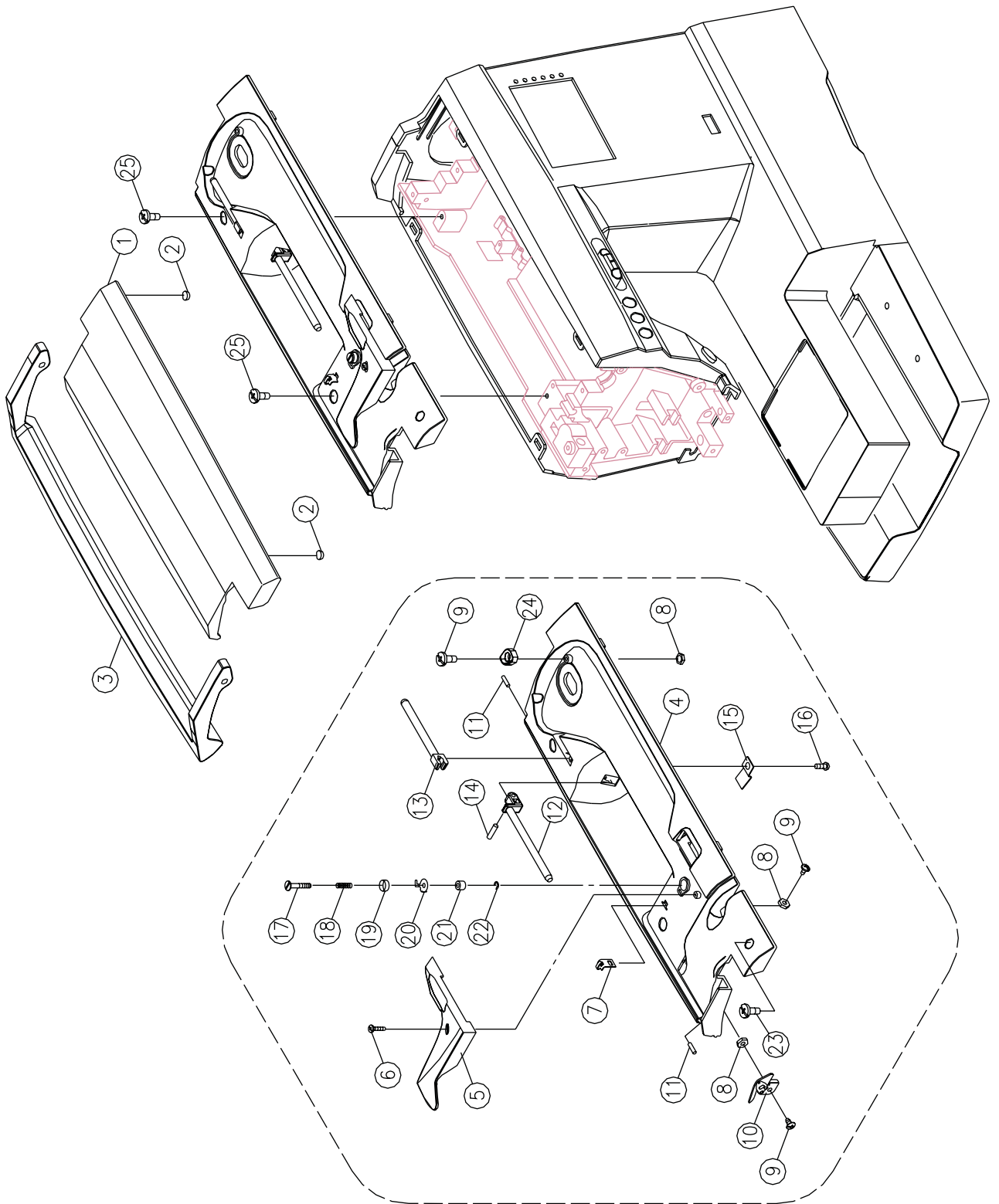
No.	Part No.	Description
1	416133401	Lower shaft
2	416141701	Lower shaft bushing
3	416116401	E-Ring (ETW-6)
4	416142001	Lower shaft belt pulley
5	416120501	Set screw (M3×14.5)
6	416310301	Feed rock cam
7	416122401	Set screw (M4×4)
8	416142301	Lower shaft spring
9	416141801	Feed lifting rock cam
10	416310101	Feed lifting rock ring
11	416158701	Lower shaft collar
12	416125801	Endure attrition washer
13	416155301	Lower shaft gear
14	416121001	Set screw (M4×5)
15	416122101	Set screw (M4×6)
16	N/A	Pulse support plate
17	416121501	Set screw (M4×8A)
18	416303901	Pulse motor
19	416358901	Photo sensor complete
20	N/A	Set screw (M3×5A)
21	N/A	Feed rock cam
22	416183901	Pin (Φ2.5*16)
23	N/A	Feed spring
24	N/A	Feed rock plate
25	N/A	Set screw
26	N/A	Pulse motor spring
27	N/A	Washer (6.5×11×0.4)
28	416302901	Nut (M3 t=2.3)
29	416120001	Set screw (M3×3)
30	N/A	Pulse motor gear
31	416134401	Feed rock crank (2)
32	416133901	Zigzag width feed rock crank spring
33	416134301	Feed rock crank (1)
34	416116201	E-Ring (ETW-4)
35	416116001	E-Ring (ETW-3)
36	N/A	Lower shaft collar
37	416152001	Belt adjusting plate pulley
38	N/A	Feed rock plate
39	N/A	Feed rock shaft
40	N/A	Belt adjusting plate
41	416359001	BH micro adjusting knob
42	416358201	Feed step motor complete



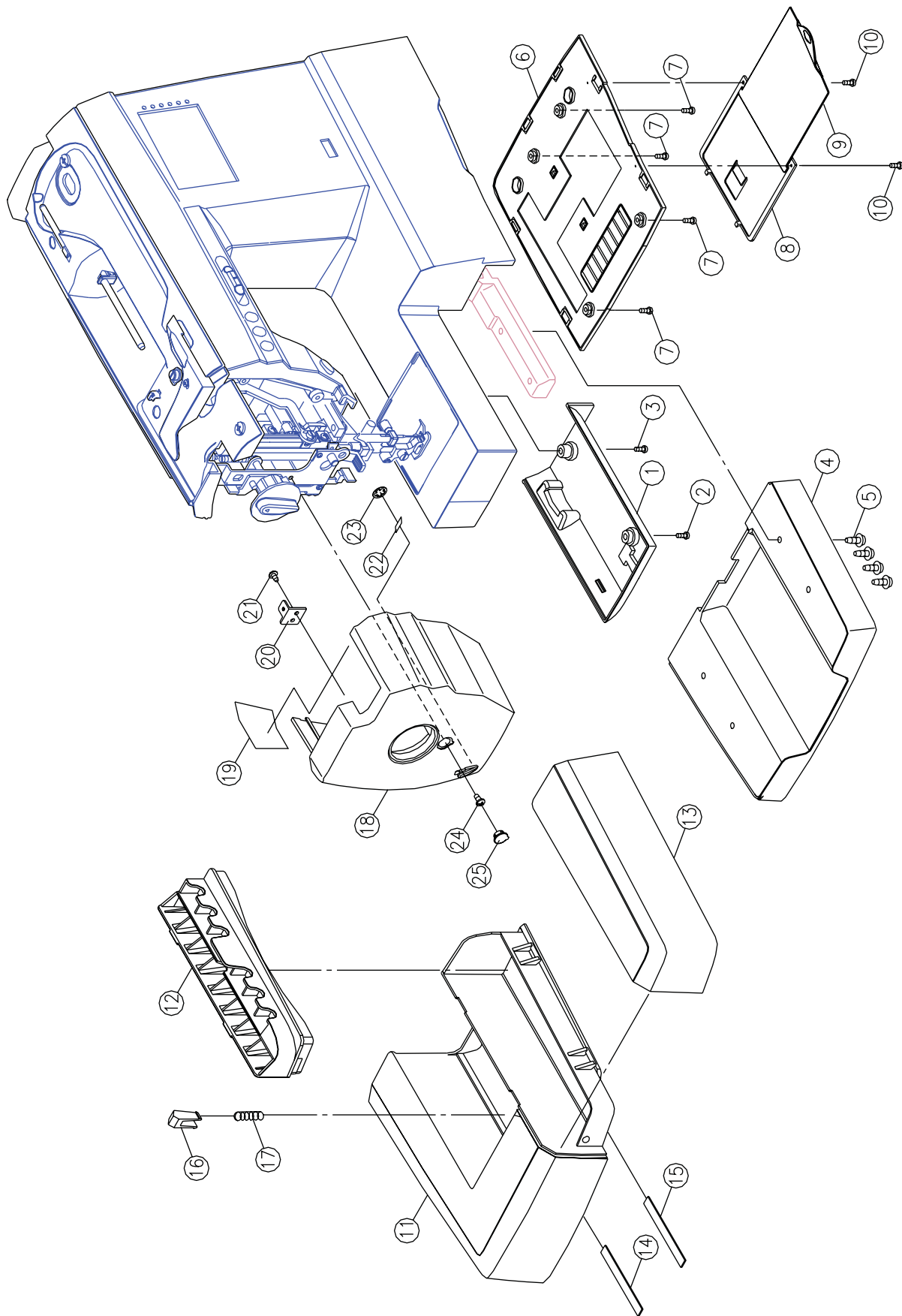
No.	Part No.	Description
1	N/A	Insulating sleeve
2	416357901	DC Motor complete
3	416358001	Motor wheel
4	416120101	Set screw (M3x3)
5	N/A	Insulation spacer
6	N/A	Motor bracket
7	N/A	Insulation spacer
8	416120201	Set screw (M3x10)
9	416224801	Set screw (M5x12)
10	416126201	Spring washer (5.1x9.2x1.3)
11	416124301	Washer (5.4x10x0.9)
12	416173901	Needle bar driving rod spring plate
13	416121601	Set screw (M4x12)
14	N/A	Cord clip
15	412773401	Foot control
16	413021501	Supply cord
17	416305201	Safety wire complete (3.0A)
18	N/A	Cord clip
19	416355401	Controller receptacle complete (for 120V)
	416355402	Controller receptacle complete (for 230/240V)
20	416119901	Set screw (M3x12)
21	416305601	Switch receptacle ass'y (for 120V)
	416305701	Switch receptacle ass'y (for 230V)
22	N/A	Set screw (M3x8B)
23	N/A	Receptacle holder
24	416121501	Set screw (M4x8A)
25	412157903	Supply cord 120V
	412157902	Supply cord 120V-Jap
	412157801	Supply cord 230V
	412158002	Supply cord UK
	412158101	Supply cord AUS
26	416358101	Main circuit board



No.	Part No.	Description
1	416357001	Front cover
2	N/A	Plate
3	416356901	Plate
4	416311001	Cap
5	416306501	Front cover set plate (2)
6	416356801	LCD
7	N/A	Set screw (M3×6B)
8	416307001	Slide volume knob connector
9	416303801	Slide volume
10	416308801	Slide volume knob
11	416305501	Up & down fixed position switch
12	416309901	Function set knob
13	416309801	Needle/return knob
14	416144401	Front cover set plate
15	N/A	Set screw (M4×6B)
16	416130301	Row line(1)
17	416357201	Back cover
18	416121501	Set screw(M4×8A)
19	416306401	BH micro adjusting knob
20	416144501	Arm back cover set plate
21	416121201	Set screw (M4×6B)
22	N/A	CS ring
23	416145101	Arm top cover thread guide plate

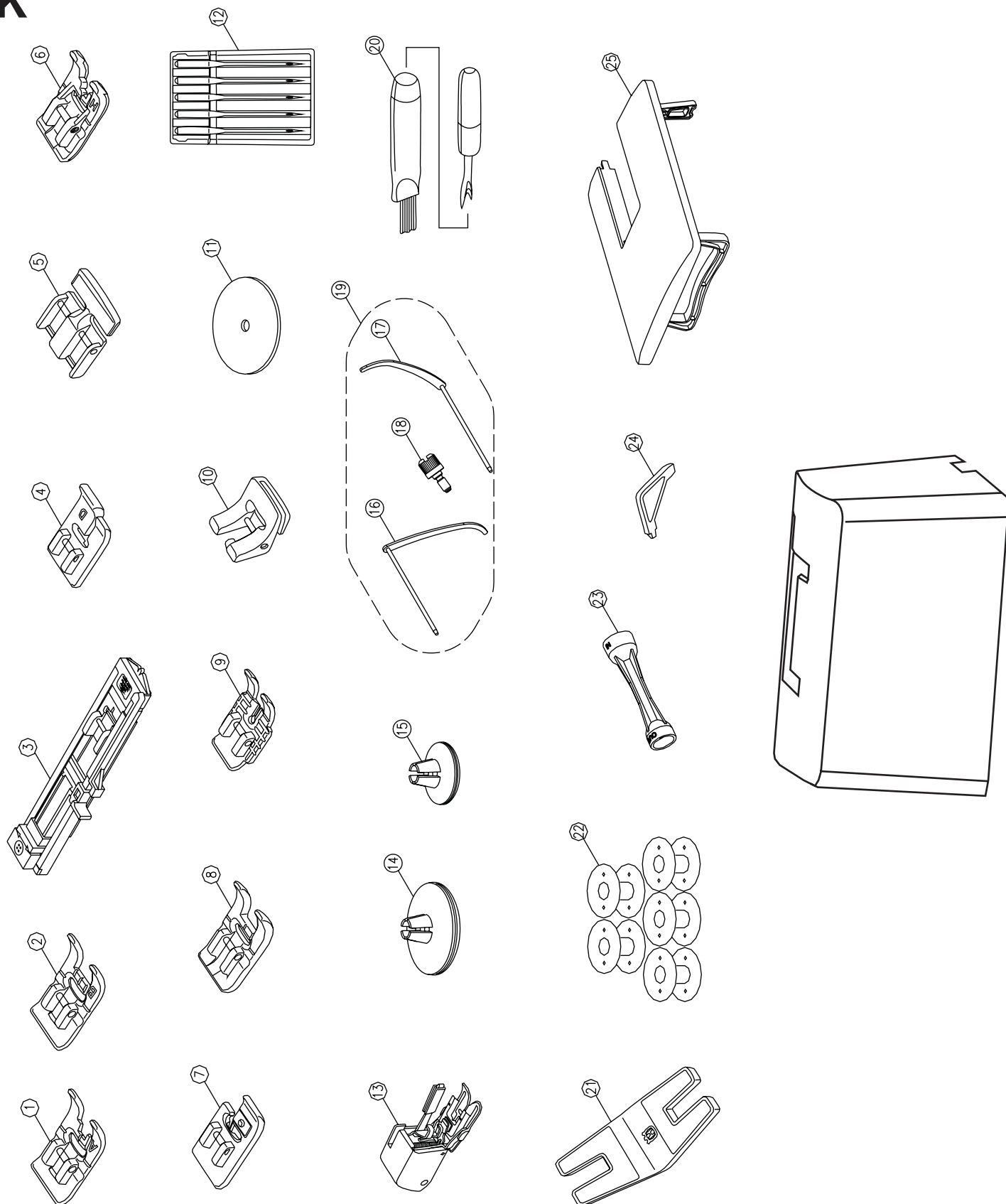


No.	Part No.	Description
1	416357301	Arm top cover
2	412569701	Spacer
3	416308301	Handle
4	416318801	Arm top plate
5	416309601	Conducting wire cover
6	N/A	Set screw (M2.6×8)
7	416145501	Thread guide
8	416302901	Nut (M3 t=2.3)
9	N/A	Set screw (M3×8B)
10	416306601	Thread guide complete
11	416318501	Arm top cover crank
12	416310601	Spool rod
13	416308401	Spool rod
14	416306801	Pin
15	416311401	Hook cover spring
16	N/A	Set screw (M3×6B)
17	416168101	Bobbin winder thread guide adjusting
18	416152401	Bobbin winder thread guide spring
19	416152301	Bobbin winder spring disc
20	416168201	Bobbin winder thread guide
21	416168301	Spacer
22	416116001	E-Ring (ETW-3)
23	416119201	Set screw (M3×6A)
24	416308901	Bobbin winder stop
25	416121501	Set screw (M4×8A)



No.	Part No.	Description
1	416366801	Free arm base
2	416121601	Set screw (M4×12B)
3	416121701	Set screw (M4×15B)
4	416357401	Free arm foot bush
5	N/A	Set screw (M3×12)
6	416366901	Base cover
7	416121101	Set screw (M4×10B)
8	416309001	Card cover
9	N/A	Card
10	N/A	Set screw (M2.5 L=6)
11	416357501	Sewing table body
12	416308201	Sewing table body box
13	416357601	Sewing table body cover
14	416357701	Sewing table body felt
15	416357702	Sewing table body felt
16	416150601	Sewing table body guide
17	416311301	Sewing table body guide spring
18	416357801	Face plate
19	416306301	Heat resistant plate
20	N/A	Photo sensor support plate
21	N/A	Set screw (M3×8.5A)
22	416172501	Thread cutter
23	N/A	CS ring
24	416123101	Set screw (M4×12)
25	416311001	Plug

K



No.	Part No.	Description
1	412764001	Utility foot (A)
2	412785445	Presser foot (B)
3	416304101	Buttonhole slider foot (C)
4	412380445	Blind hem foot (D)
5	412801545	Zipper foot (E)
6	412796145	Non stick Glide foot (H)
7	412380645	Edging foot (J)
8	413113845	Transparent foot (B)
9	412370845	Piecing foot (P)
10	412797145	Gathering foot
11	412610701	Felt pad
12	411789001	Needle pack
13	416358301	Walking foot complete
14	412371102	Spool holder (large)
15	412371101	Spool holder (small)
16	416358401	Seam guide (Left)
17	416358501	Seam guide (Right)
18	416358601	Shank set screw
19	N/A	
20	401539901	Buttonhole knife
	401555501	Brush
21	413105601	Clearance plate
22	416127601	Bobbins
23	412570101	Sleeve lamp
24	412381501	Screwdriver
25	416358701	Extension table Complete
26	416315901	Hard Case Emerald 203



Please note that on disposal, this product must be safely recycled in accordance with relevant National legislation relating to electrical/electronic products. If in doubt please contact your retailer for guidance.



Bitte beachten Sie, dass hinsichtlich der Entsorgung dieses Produkts, vorschriftsmäßig entsprechend der gültigen nationalen Gesetzgebung für elektrische/elektronische Produkte, recycelt werden muss. Bei Zweifel setzen Sie sich bitte mit Ihrem Fachhändler in Verbindung.



Veuillez noter qu'en cas de destruction, ce produit doit bénéficier d'un recyclage sécurisé, conforme à la législation nationale applicable aux produits électriques/électroniques. En cas de doute, veuillez contacter votre distributeur agréé.

- All casted parts within our products are marked with name of material if allowed by size.
- All molded plastic parts within our products are marked with name of material if allowed by size.