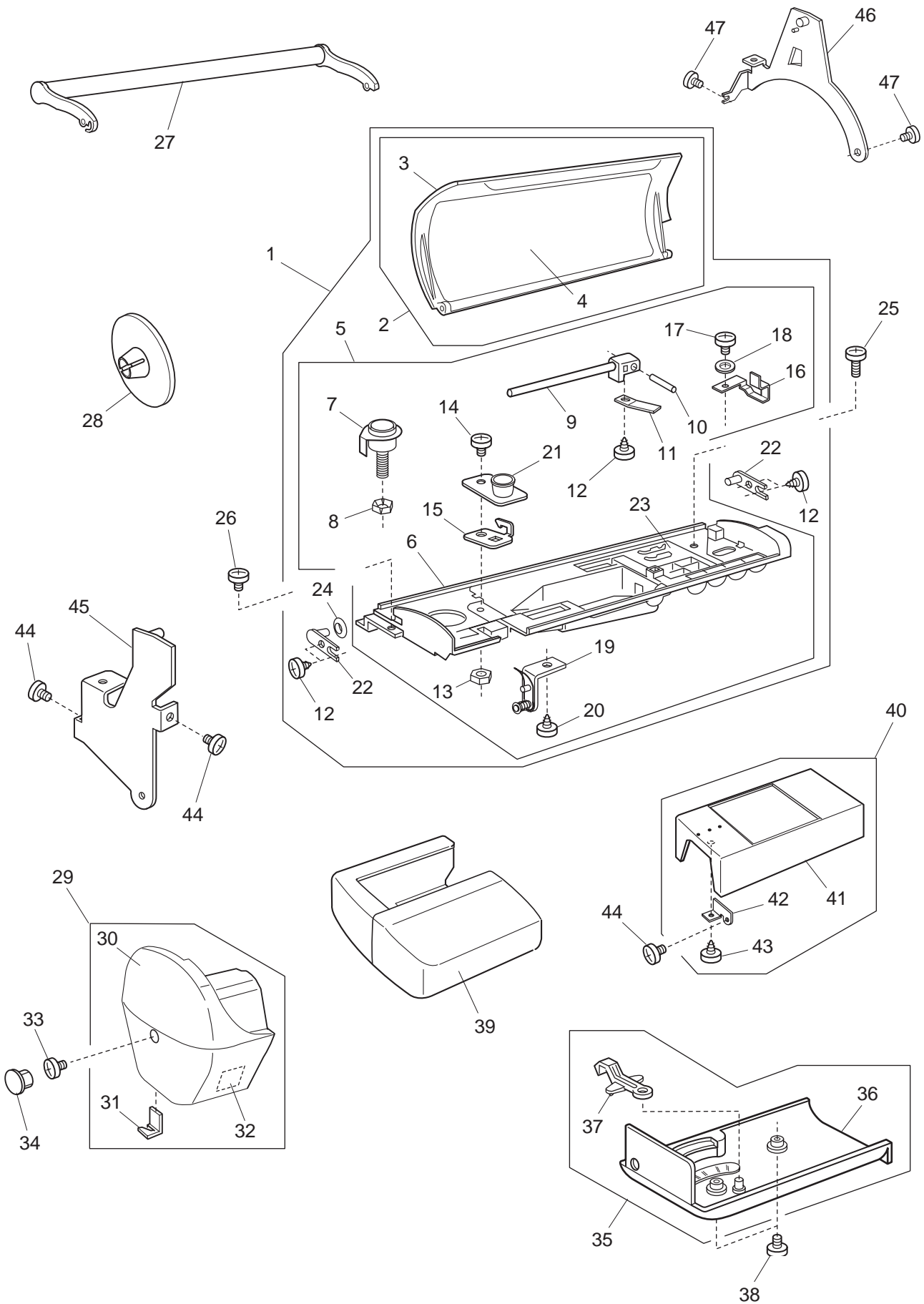


PARTS LIST

eXperience 660

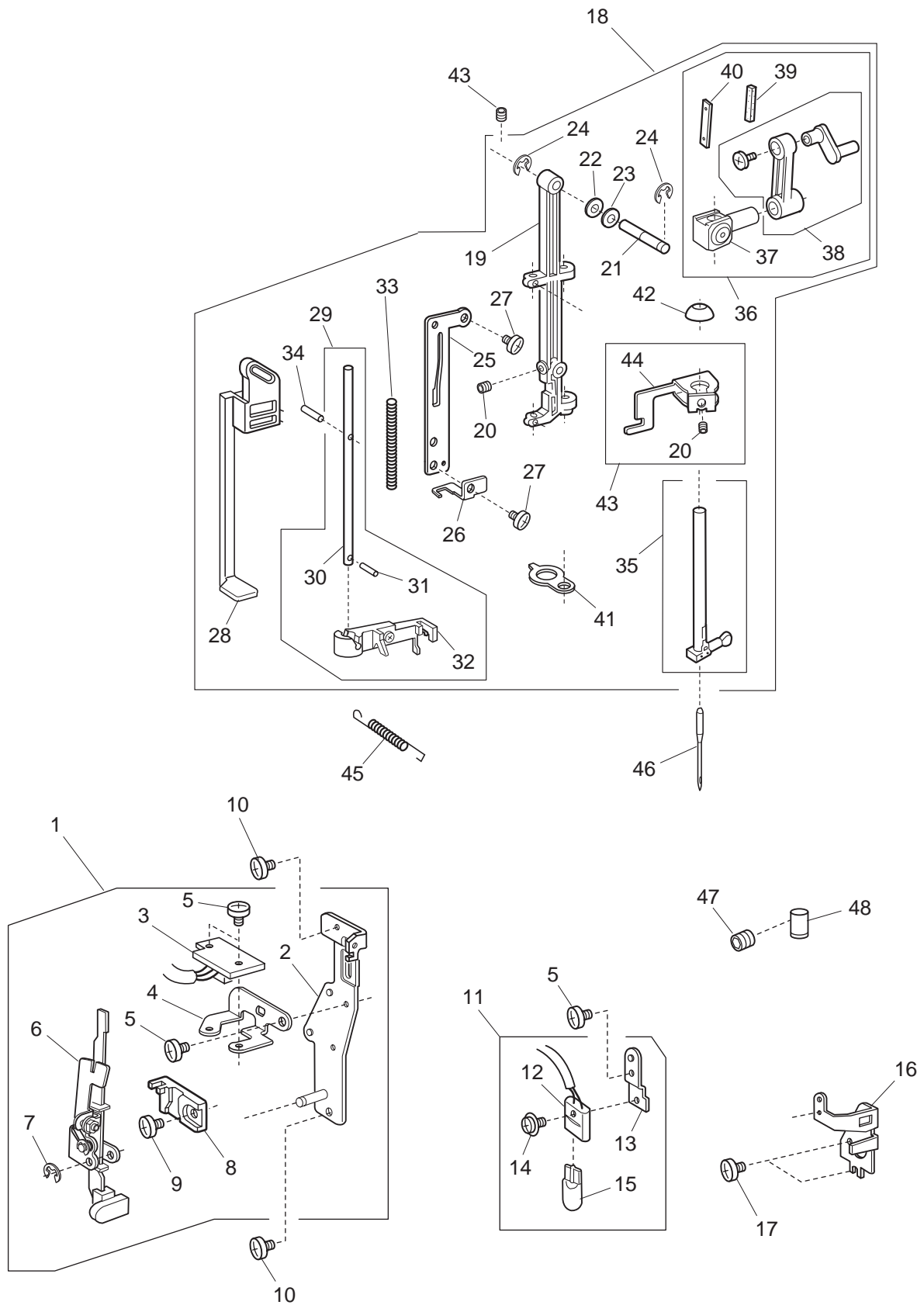
PARTS LIST



PARTS LIST

KEY NO.	PARTS NO.	DESCRIPTION
1	849624805	Top cover (unit)
2	849603808	Top cover (unit)
3	849015173	Top cover
4	849078004	Reference chart (1)
5	849604005	Top cover compartment (unit)
6	849017005	Top cover compartment
7	730501022	Thread guide (unit)
8	000160102	Adjustable locknut 4
9	822016609	Spool pin
10	822017002	Spool pin shaft
11	822018003	Spool pin spring
12	000107318	Set screw 3x8 (B)
13	000062701	Hexagonal nut
14	693093006	Flat screw
15	503144001	Bobbin winder stopper
16	840138006	Top cover thread guide
17	000078320	Setscrew 3x6
18	000070126	Plain washer 3
19	849611005	Thread guide plate (unit)
20	000161701	Setscrew 2.3x5 (B)
21	753502002	Top cover thread guide (unit)
22	506034006	Top cover hinge
23	849019007	Foot compartment
24	503169002	Curved washer
25	000080901	Setscrew 4x25
26	000078342	Setscrew 3x6
27	849020001	Carrying handle
28	822020503	Spool holder (Large)
29	849605006	Face plate (unit)
30	849023004	Face plate
31	840602006	Thread cutter (unit)
32	827099003	Reflector sticker
33	000101817	Setscrew 4x6
34	653006101	Cap
35	827602108	Bed cover (unit)
36	827004104	Bed cover
37	753005000	Drop feed lever
38	000101703	Setscrew 4x12
39	849503003	Extension table (unit)
40	659601100	Free arm cover (unit)
41	659001104	Free arm cover
42	756004008	Free arm cover set plate
43	000120203	Setscrew 3x8 (B)
44	000101404	Setscrew 4x6
45	849021002	Handle bracket (front)
46	849022003	Handle bracket (rear)
47	000081005	Setscrew 4x6

PARTS LIST



PARTS LIST

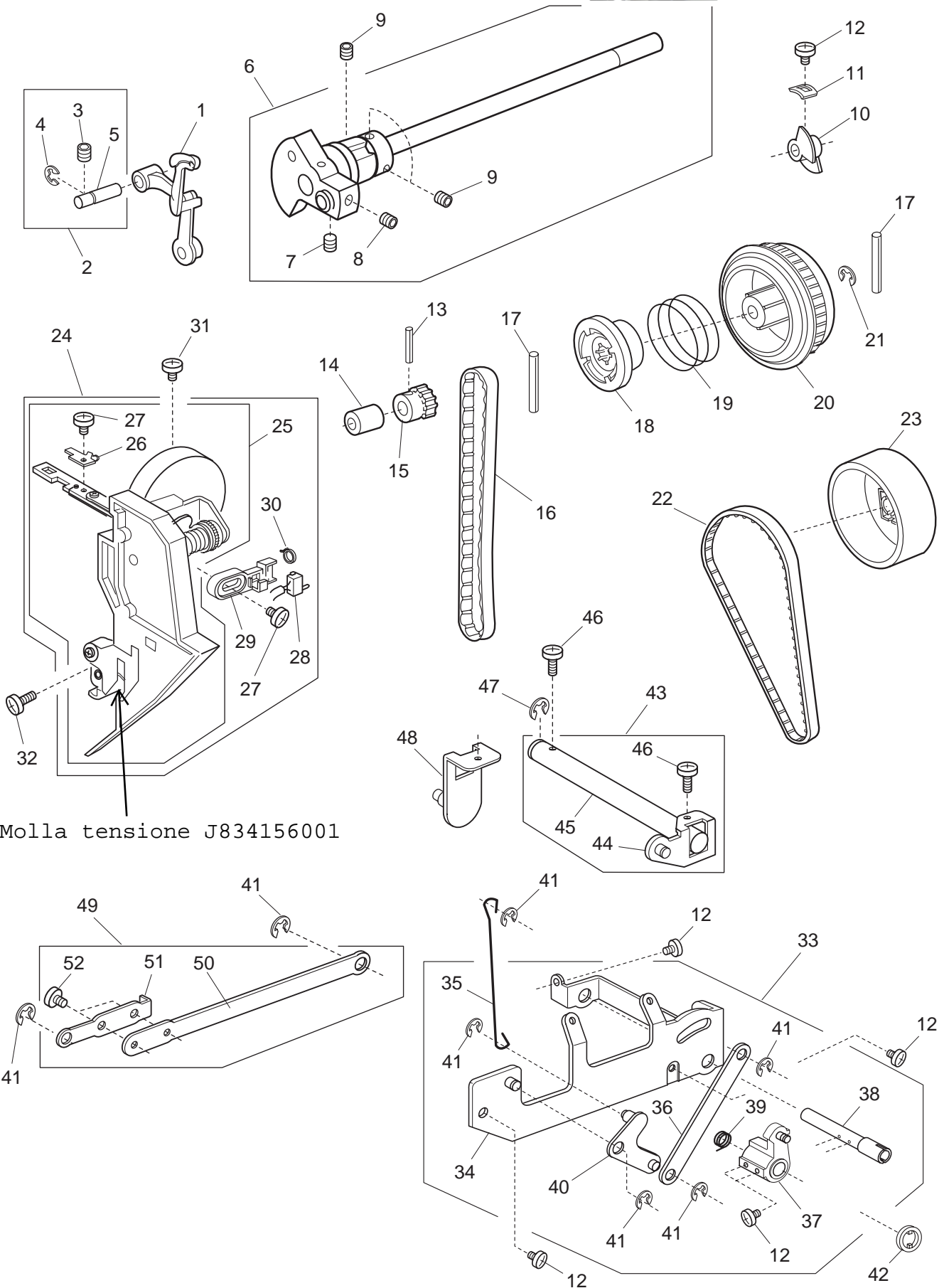
KEY NO.	PARTS NO.	DESCRIPTION
1	843620102	Front bracket (unit)
2	840108007	Front bracket
3	843502107	Printed circuit board E-1 (unit)
4	843009006	Sensor bracket
5	000101105	Setscrew 3x4
6	843625107	BH lever (unit)
7	000002105	Snap ring E-3
8	830057021	BH lever guide
9	000103808	Setscrew 3x5
10	000101404	Setscrew 4x6
11	843616105	Lamp socket (unit)
12	843508206	Lamp socket (unit)
13	843039005	Lamp socket bracket (2)
14	000115308	Setscrew TP 2x8
15	000026002	Wedge base lamp 12 V, 5 W
16	843038004	Lamp socket bracket (1)
17	000101507	Setscrew 3x5
18	840647106	Needle bar supporter (unit)
19	827026010	Needle bar supporter
20	000111902	Hexagonal socket screw 3x4
21	840137005	Needle bar supporter pin
22	673022002	Wave washer
23	000070609	Plain washer 6
24	000002507	Snap ring E-4
25	840033000	Threader guide plate
26	840037004	Threader lever supporter
27	000078319	Setscrew 3x6
28	840034001	Threader lever
29	840646002	Threader shaft (unit)
30	840036003	Threader shaft
31	000003508	Pin 2x8
32	755643002	Threader plate (unit)
33	840035002	Threader spring
34	000125105	Pin
35	653503103	Needle bar (unit)
36	843652000	Needle bar connection stud (unit)
37	639516002	Needle bar connection stud (unit)
38	843543007	Needle bar crank pin (unit)
39	650040005	Felt
40	650041006	Felt holder spring
41	829027006	Supporter guide
42	827098013	Curved washer
43	807607008	Threader positioning plate (unit)
44	807018006	Threader positioning plate
45	827092006	Supporter spring
46	102408089	Needle HA1-14
47	000111201	Hexagonal socket screw 4x4
48	827083004	Supporter guide pin

PARTS LIST



J843505605

Pcb P (Upper sensor shaft)

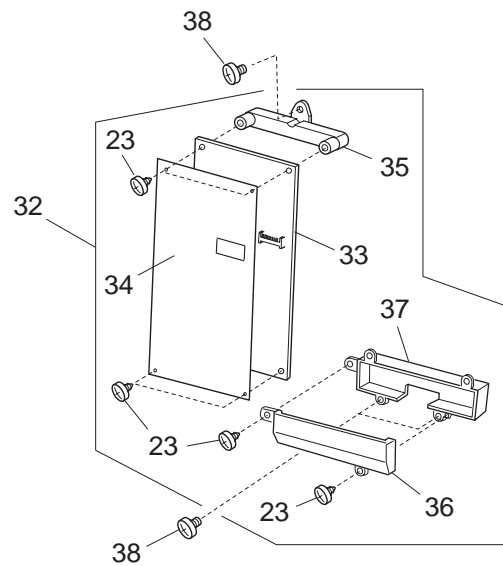
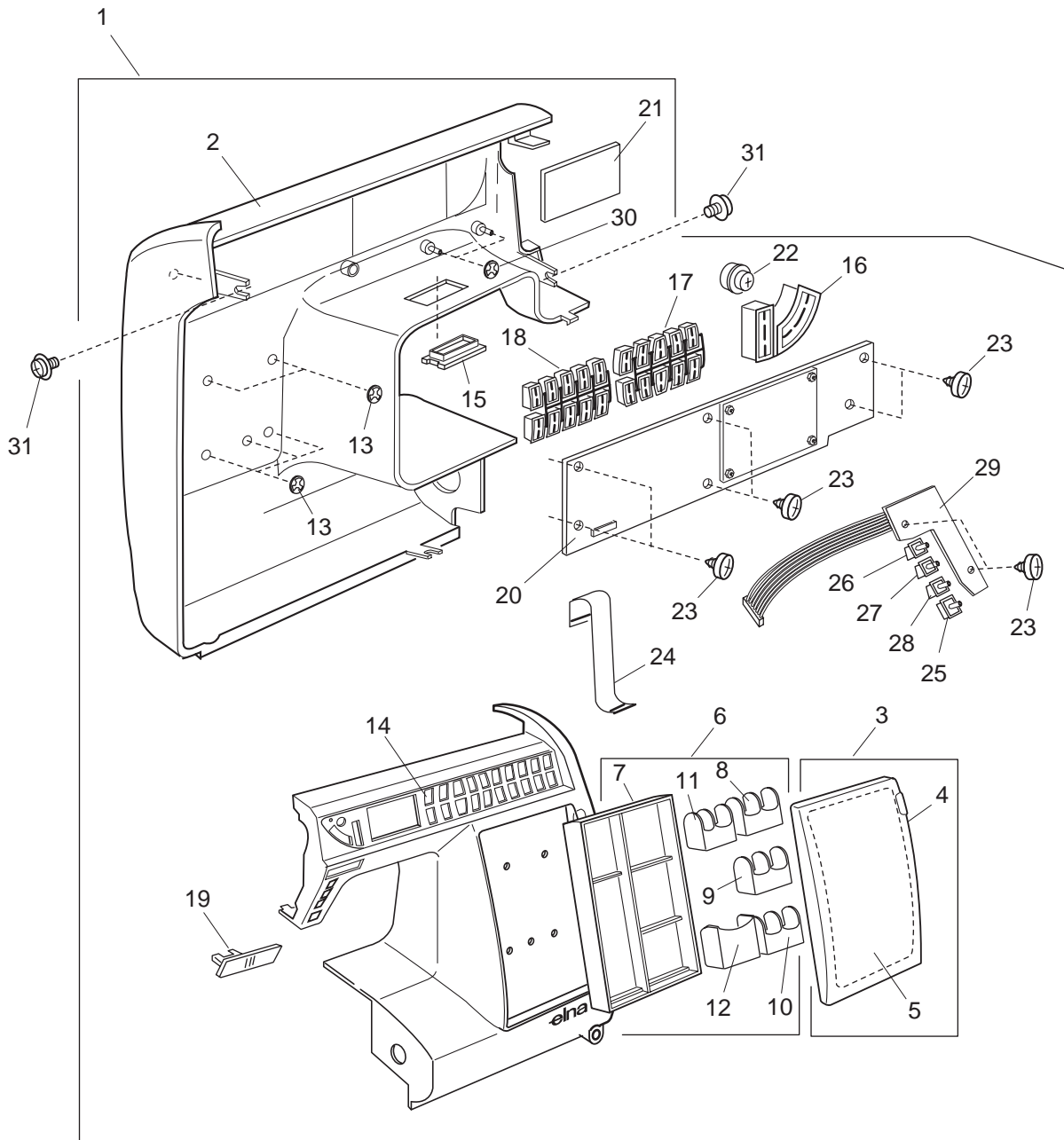


Molla tensione J834156001

PARTS LIST

KEY NO.	PARTS NO.	DESCRIPTION
1	820511108	Thread take-up lever (unit)
2	650626001	Thread supporter shaft (unit)
3	000111201	Hexagonal socket screw 4x4
4	000001702	Snap ring E-6
5	650062003	Thread take-up lever pin
6	849623000	Upper shaft (unit)
7	000111706	Hexagonal socket screw 5x8
8	000110901	Hexagonal socket screw 5x4
9	000111304	Hexagonal socket screw 5x5
10	830095010	Upper shaft shield plate
11	820102009	Washer
12	000081005	Setscrew 4x8
13	000020501	Spring pin 3x22
14	673062004	Upper shaft bushing (rear)
15	756017004	Upper shaft timing gear
16	650071005	Timing belt
17	000024206	Spring pin 3x30
18	502064003	Clutch ring
19	502065004	Clutch spring
20	844050016	Belt wheel
21	000030205	Snap ring E-8
22	653139012	Timing belt
23	849049006	Hand wheel
24	849608009	Tension assembly
25	849504004	Tension assembly
26	849062005	Switch plate
27	000103808	Setscrew 3x5
28	753507007	BH select switch (unit)
29	827100008	Switch mount
30	000053008	Cord binder
31	000101404	Setscrew 4x6
32	000101703	Setscrew 4x12
33	849601002	Knee lifter supporter plate (unit)
34	849004009	Knee lifter supporter plate
35	849010008	Knee lifter rod (1)
36	849009004	Knee lifter link (2)
37	849005000	Knee lifter link (1)
38	849006001	Knee lifter shaft
39	849007002	Knee lifter link spring
40	849008003	Knee lifter link (3)
41	000002507	Snap ring E-4
42	846297002	Stopper
43	849618002	Knee lifter shaft (unit)
44	849011009	Knee lifter link (5)
45	849012000	Knee lifter link shaft
46	000103509	Setscrew 4x10
47	000002909	Snap ring E-7
48	849013001	Knee lifter link (4)
49	849615009	Knee lifter link (unit)
50	849014002	Knee lifter link (7)
51	849018006	Knee lifter link (8)
52	000101507	Setscrew 3.5x5

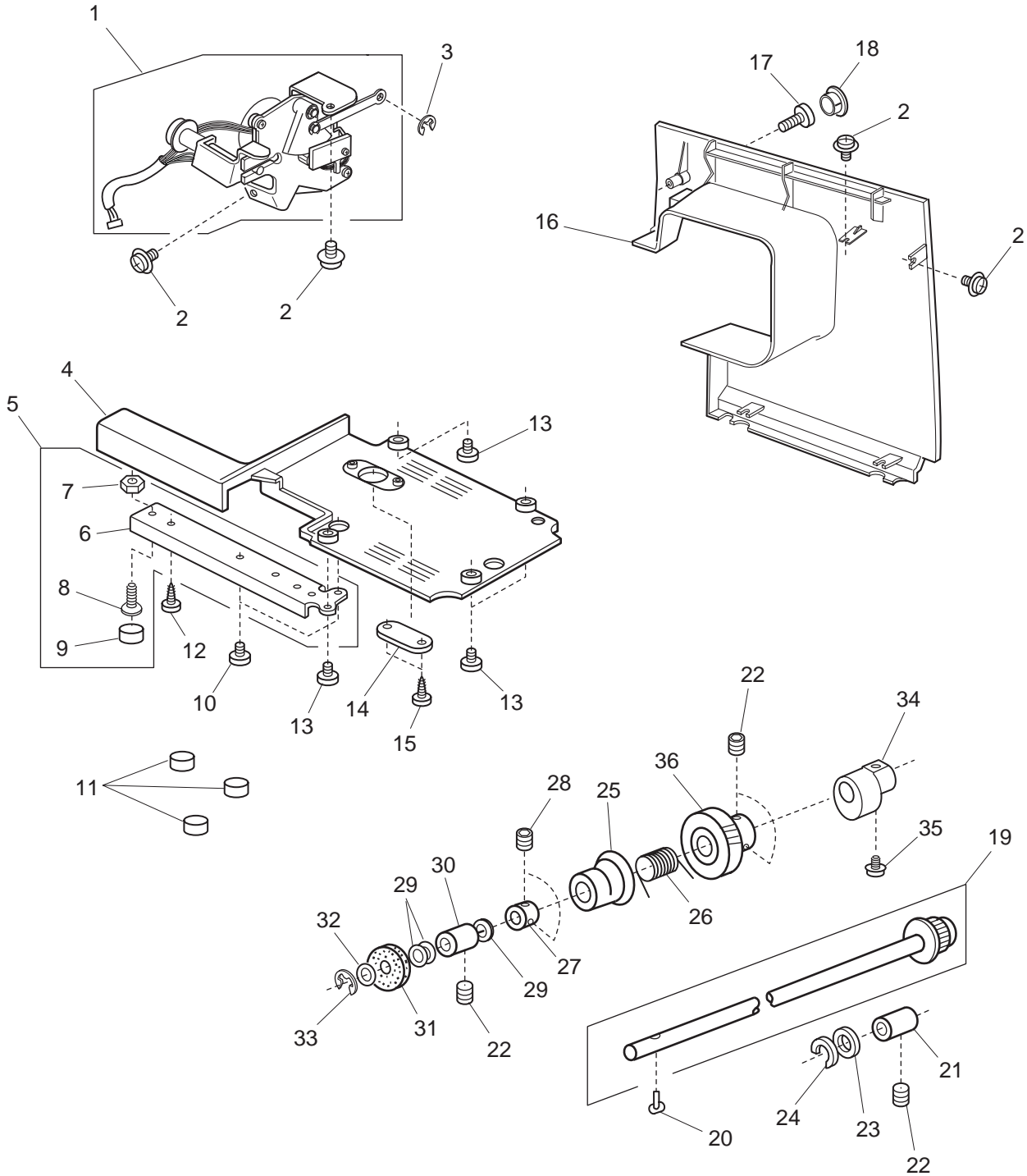
PARTS LIST



PARTS LIST

KEY NO.	PARTS NO.	DESCRIPTION
1	849607156	Front cover (unit)
2	849032121	Front cover
3	849619036	Side cover (unit)
4	849033177	Side cover
5	849079005	Reference chart (2)
6	849602003	Storage compartment (unit)
7	849034008	Storage compartment
8	849058101	Storage compartment (1)
9	849058112	Storage compartment (1)
10	849058123	Storage compartment (1)
11	849059102	Storage compartment (2)
12	849060106	Storage compartment (3)
13	000014007	Snap ring CS-4
14	849035102	Keyboard panel
15	851056106	Lamp cover
16	849037207	Keyboard button (1)
17	849038105	Keyboard button (2)
18	849039106	Keyboard button (3)
19	849040007	Speed control lever
20	849501104	Printed circuit board K (unit)
21	844054009	LCD window
22	840024204	LCD brightness control knob
23	000120203	Setscrew 3x8
24	844512000	Flat cable
25	849041101	S.S. Button
26	849042102	Button
27	849042205	Button
28	849042308	Button
29	849502002	Printed circuit board F (unit)
30	000014306	Snap ring CS-3
31	000115205	Setscrew 4x6
32	849612202	Printed circuit board A (unit)
33	847503801	Printed circuit board A (unit)
34	847034002	Insulation paper
35	848014009	A-board bracket (upper)
36	846184005	A-board case
37	846185006	A-board case lid
38	000081005	Setscrew 4x8

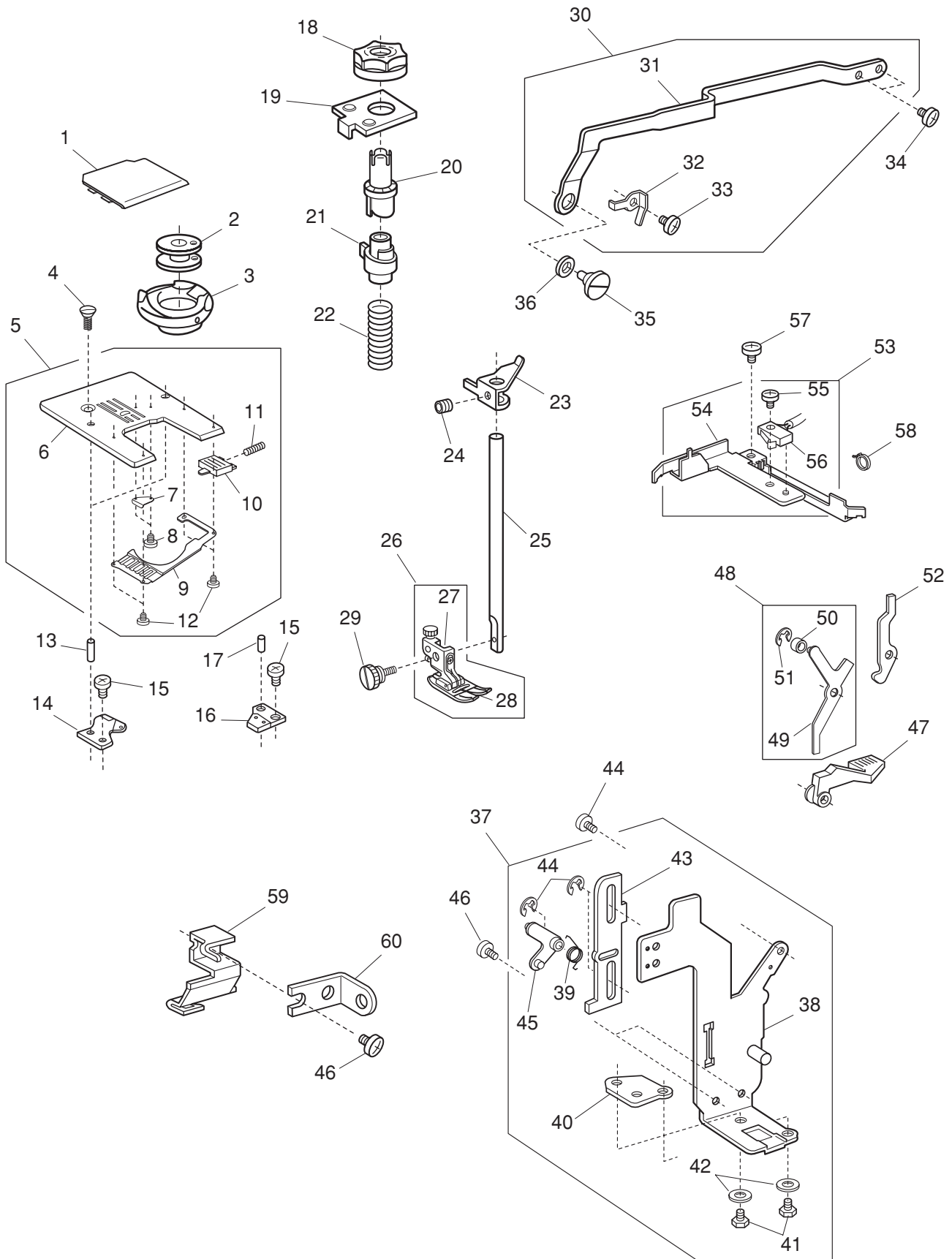
PARTS LIST



PARTS LIST

KEY NO.	PARTS NO.	DESCRIPTION
1	844602019	Feed motor (unit)
2	000115205	TP screw 4x6
3	000002105	Snap ring E-3
4	827003000	Base
5	827601107	Leg (unit)
6	827002102	Leg
7	000061412	Nut 5-3-8
8	000097901	Flat screw 5x18
9	735002001	Rubber foot
10	000066808	Setscrew 6x14
11	647009002	Rubber foot
12	000161206	Setscrew 3x10 (B)
13	000103509	Set screw 4x10
14	824058001	Base lid
15	000107318	Setscrew 3x8 (B)
16	849001121	Rear cover
17	000104108	Setscrew 4x20
18	653006101	Cap
19	827613009	Lower shaft (unit)
20	820161006	Feed lifting pin
21	650079003	Lower shaft bushing (rear)
22	000111304	Hexagonal socket screw 5x5
23	822070003	Felt (1)
24	822112008	Felt holder (1)
25	753183025	Feed lifting cam
26	686035008	Feed lifting cam spring
27	820166001	Ring
28	000111201	Hexagonal socket screw 4x4
29	000038502	Washer
30	650078002	Lower shaft bushing (front)
31	735143005	Felt
32	858177002	Washer
33	000002806	Snap ring E-6
34	823026122	Feed cam
35	000149600	Setscrew 3x14
36	650955002	Lower shaft gear

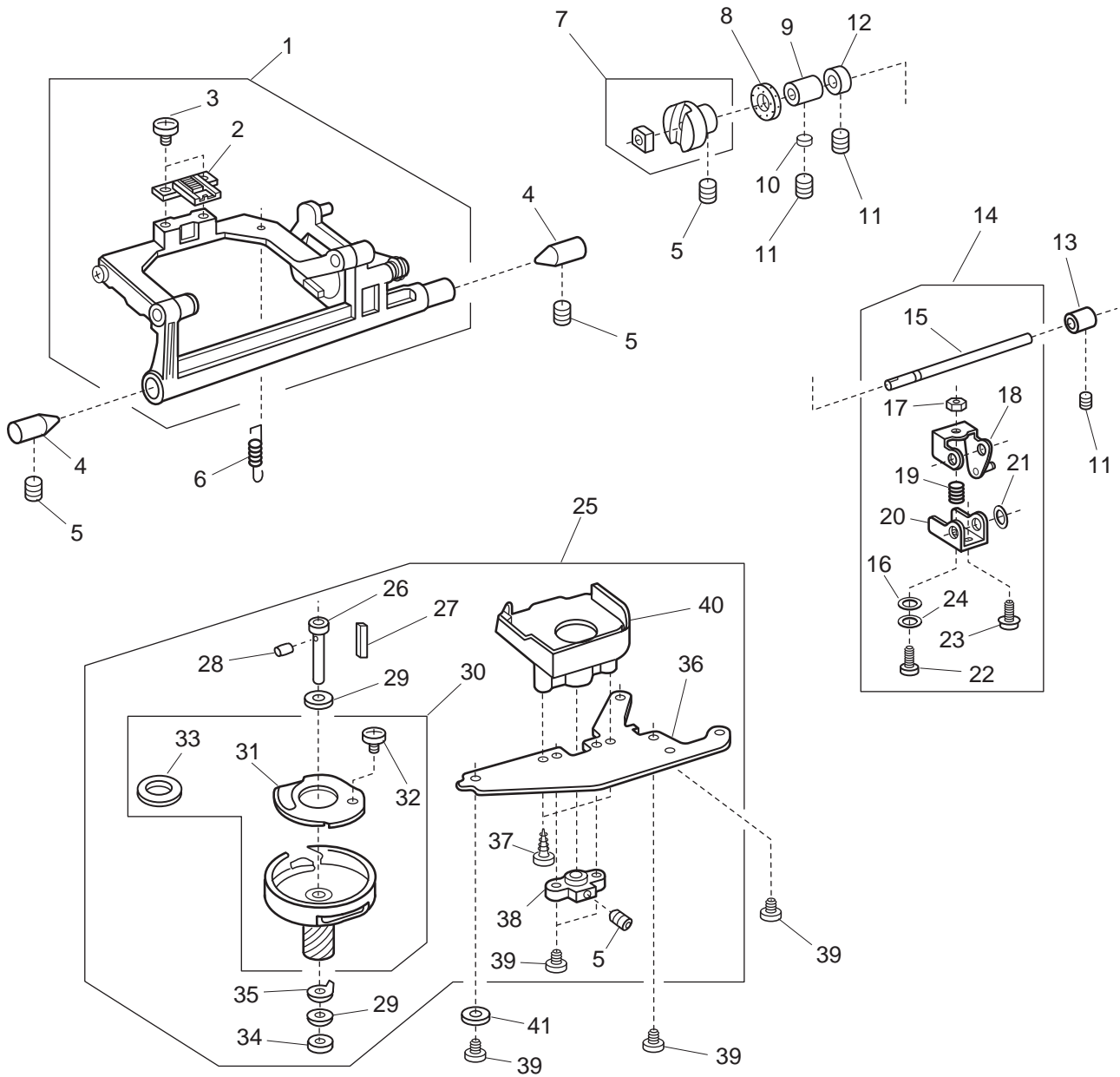
PARTS LIST



PARTS LIST

KEY NO.	PARTS NO.	DESCRIPTION
1	750036012	Hook cover plate
2	102261103	Bobbin
3	627569209	Bobbin holder (unit)
4	681009101	Flat screw
5	756604509	Needle plate (unit)
6	756008105	Needle plate
7	654078004	Rotation stopper
8	820373003	Setscrew 2x3
9	751374007	Hook cover plate holder
10	825016000	Hook cover plate holder release button
11	825017001	Hook cover plate holder spring
12	820374004	Setscrew 2x2.3
13	000122504	Pin D3x10CH
14	827011001	Bobbin holder stopper
15	810220003	Setscrew
16	627567001	Bobbin holder stopper (unit)
17	000122700	Pin D2.5x6-LC
18	822065005	Foot pressure dial
19	840120005	Foot pressure adjusting cam support
20	686027007	Foot pressure adjusting cam (1)
21	686028008	Foot pressure adjusting cam (2)
22	840129004	Presser bar spring
23	849051001	Presser bar bracket
24	000111500	Hexagonal socket screw 4x8
25	827021004	Presser bar
26	829515006	Presser foot (unit)
27	804509000	Presser foot holder (unit)
28	832523007	Zigzag foot (unit)
29	647112009	Thumbscrew
30	827622012	Zigzag rod (unit)
31	827055018	Zigzag rod
32	827088009	Zigzag rod spring
33	820373003	Setscrew 2x3
34	000078319	Setscrew 3x6
35	678084007	Eccentric pin
36	653037008	Washer
37	849606007	Presser bar plate (unit)
38	848023104	Presser bar plate
39	849063006	Knee lifter link spring (2)
40	827082003	Presser bar positioning plate
41	000066303	Hexagonal bolt 4x6
42	000070908	Plain washer 4
43	849025006	Presser bar bracket link
44	000002507	Snap ring E-4
45	849026007	Knee lifter link (6)
46	000081005	Setscrew 4x8
47	849052002	Presser foot lifter
48	849614008	Tension release lever (2)
49	849027008	Tension release lever (1)
50	849064007	Roller
51	000002105	Snap ring E-3
52	827023006	Tension release lever (2)
53	849610004	Foot lifter switch (unit)
54	849028009	Cord guide
55	000102900	Setscrew 2x8
56	660518804	Micro switch (unit)
57	000101404	Setscrew 4x6
58	000053008	Cord binder
59	827036002	Arm thread guide
60	827037003	Front cover bracket

PARTS LIST



PARTS LIST

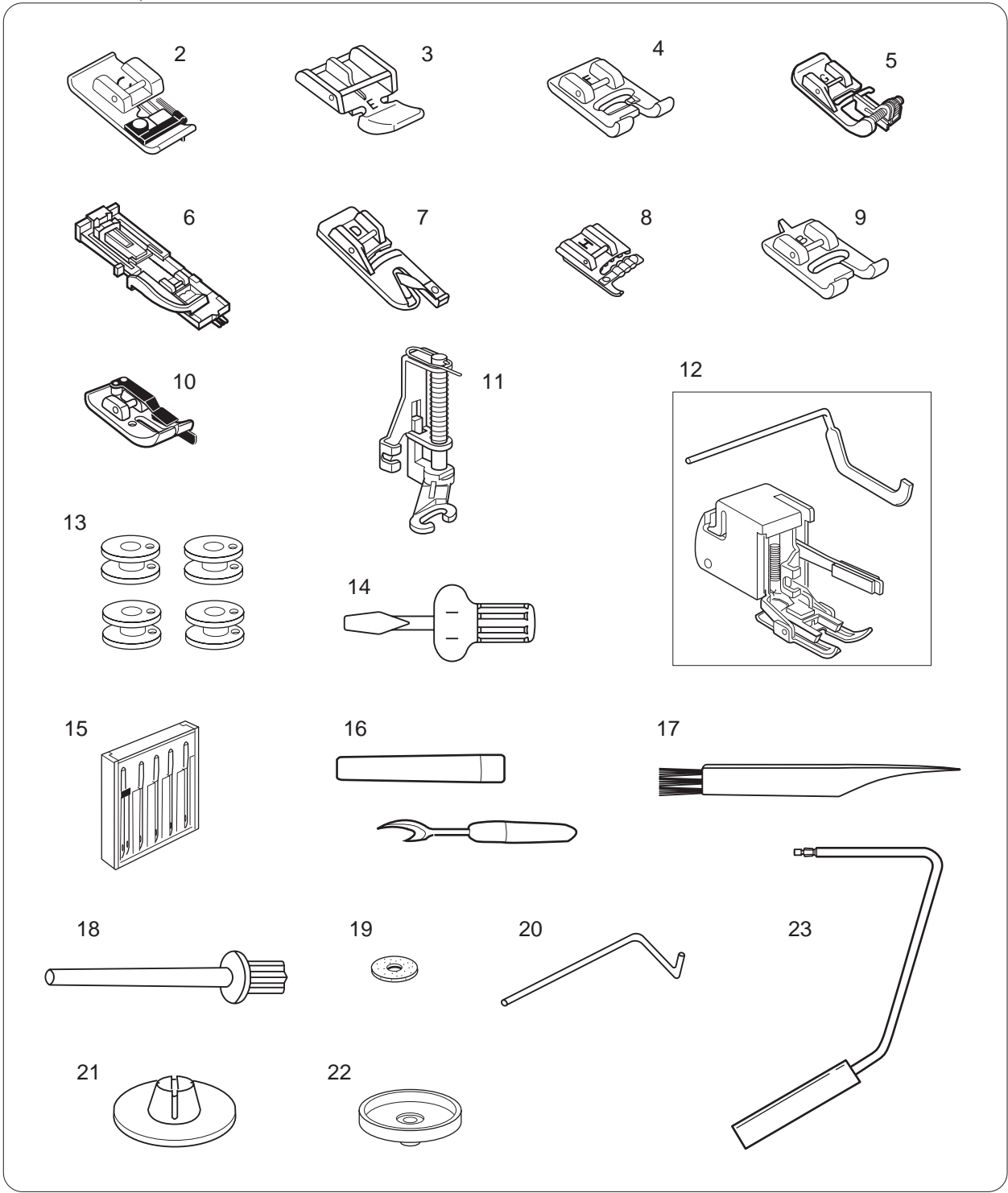
KEY NO.	PARTS NO.	DESCRIPTION
1	827615300	Feed shaft (unit)
2	840005003	Feed dog
3	000104005	Setscrew 3.5x8
4	738055008	Straight center pin
5	000111304	Hexagonal socket screw 5x5
6	650085002	Feed bar spring
7	625508008	Feed regulator (unit)
8	821311009	Felt
9	625144002	Feed shaft bushing (front)
10	650175000	Cushion
11	000111201	Hexagonal socket screw 4x4
12	820387000	Ring
13	650092002	Feed shaft bushing (rear)
14	840603306	Feed shaft (unit)
15	827042012	Feed shaft
16	000071013	Plain washer
17	000160102	Adjustable nut 4
18	825261002	Feed arm (2)
19	589040002	BH feed adjusting spring
20	827043105	Feed arm (1)
21	810207004	Spring washer
22	827086100	Feed arm screw
23	000115906	TP screw 3x12
24	000036407	Washer
25	827614033	Hook (unit)
26	820123006	Hook shaft
27	820124007	Oil wick (1)
28	820125008	Oil wick (2)
29	000038409	Washer
30	650623008	Hook race (unit)
31	627191000	Hook race bottom plate
32	820374004	Setscrew 2x2.3
33	627190010	Hook race magnet
34	625102008	Plain washer
35	627192001	Hook shaft washer
36	823106002	Hook bracket
37	000107204	Setscrew 3x12 (B)
38	650094004	Hook shaft base
39	000081005	Setscrew 4x8
40	827040009	Hook race cover
41	000070506	Plain washer

PARTS LIST

KEY NO.	PARTS NO.	DESCRIPTION
1	844605104	Zigzag motor (unit)
2	000081005	Setscrew 4x8
3	846512109	Power transformer (unit)
4	000115205	TP screw 4x6
5	843615207	DC motor (unit)
6	000115700	TP screw 4x10
7	845504301	Machine socket (unit)
8	000103509	Setscrew 4x10
9	000101817	Setscrew 4x16
10	652611009	Idler (unit)
11	827085017	Belt cover bracket
12	849048005	Belt cover
13	000104108	Setscrew 4x20
14	653006101	Cap
15	000114709	TP screw 3x6
16	849616000	Bobbin winder (unit)
17	849505005	Bobbin winder (unit)
18	849046003	De-clutch arm
19	000078319	Setscrew 3x6
20	823119008	De-clutch arm spring
21	686063005	Hinge screw
22	849609000	Bobbin winder switch (unit)
23	849047004	Bobbin winder switch set plate
24	660518907	Micro switch (unit)
25	000102900	Setscrew 2x8
26	000101404	Setscrew 4x6
27	849613007	Arm lamp (unit)
28	849054004	Arm lamp bracket
29	849055005	Lamp bracket
30	843508103	Lamp socket (unit)
31	000002105	Snap ring E-3
32	849056006	Lamp bracket spring
33	000102900	Setscrew 2x8
34	000026002	Wedge base lamp 12V, 5W

PARTS LIST

1



24

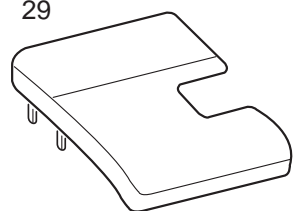
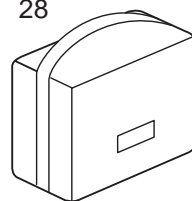
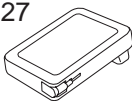
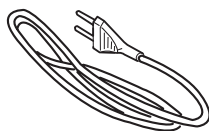
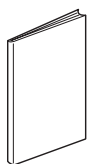
25

26

27

28

29



PARTS LIST

KEY NO.	PARTS NO.	DESCRIPTION
1	849870004	Accessory (unit)
2	822801001	Overedge foot
3	829801002	Zipper foot
4	822804118	Satin stitch foot
5	820817015	Blind hem foot
6	753801004	Buttonhole foot
7	820809014	Rolled hem foot
8	820819006	Cording foot
9	820801016	Buttonhole foot
10	200282004	Scant 1/4 inch foot
11	200301000	Darning foot
12	214510007	Even foot
13	102261103	Bobbins (8 pcs.)
14	820832005	Screwdriver
15	820827007	Needle set
16	647808009	Seam ripper
17	802424004	Lint brush
18	625031500	Additional spool pin
19	102403109	Felt
20	802422002	Quilt guide
21	822019509	Spool holder (small)
22	829803004	Spool stand
23	846811008	Knee lifter
24	849801004	Circular pivot pin
25	849800427	Instruction book (English, French, German)
26	830335004	Power supply cord
27	043271133	Foot control
28	849802005	Cover
29	849808001	Table