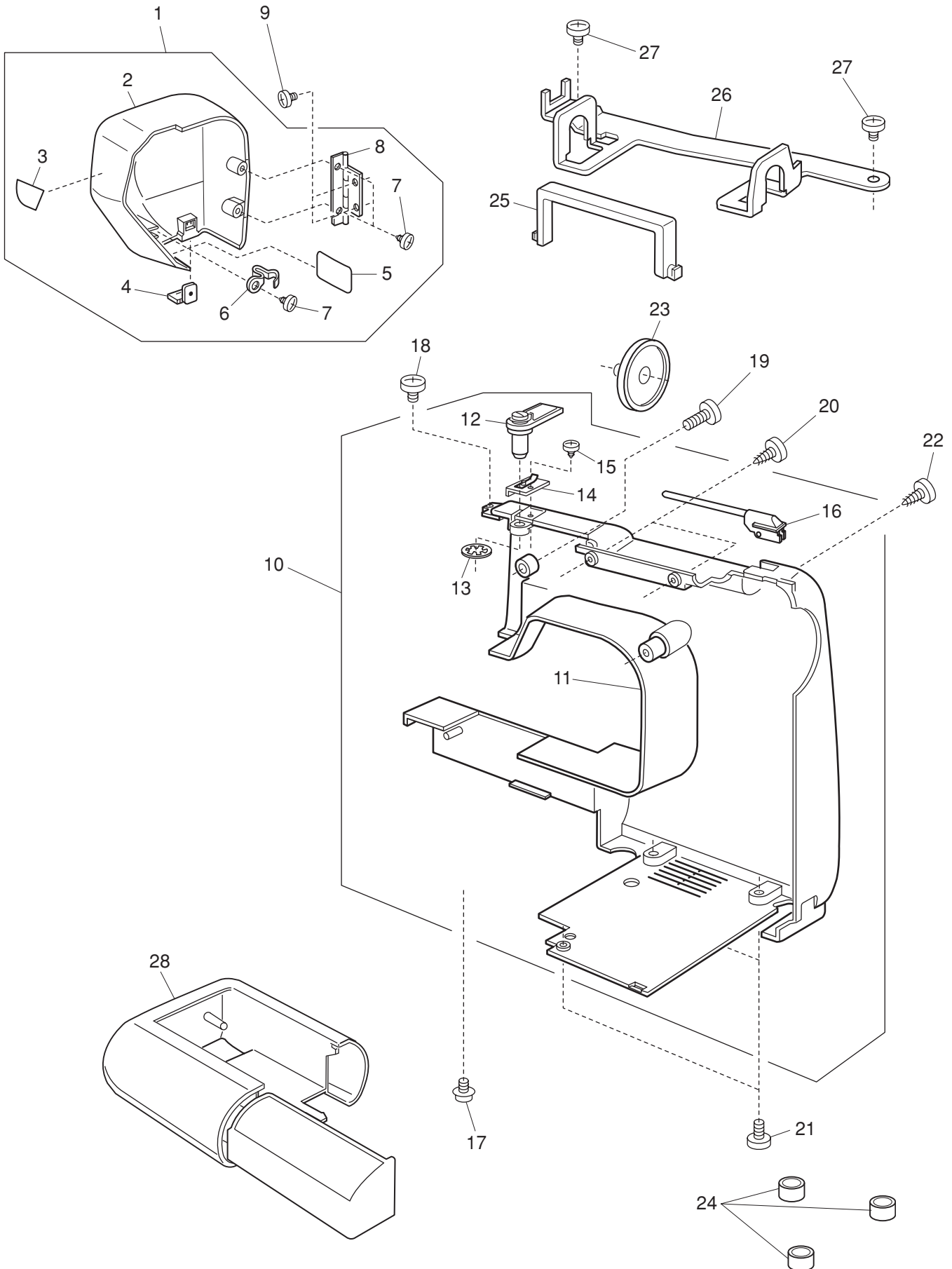


PARTS LIST

MODEL: eXperience 540S

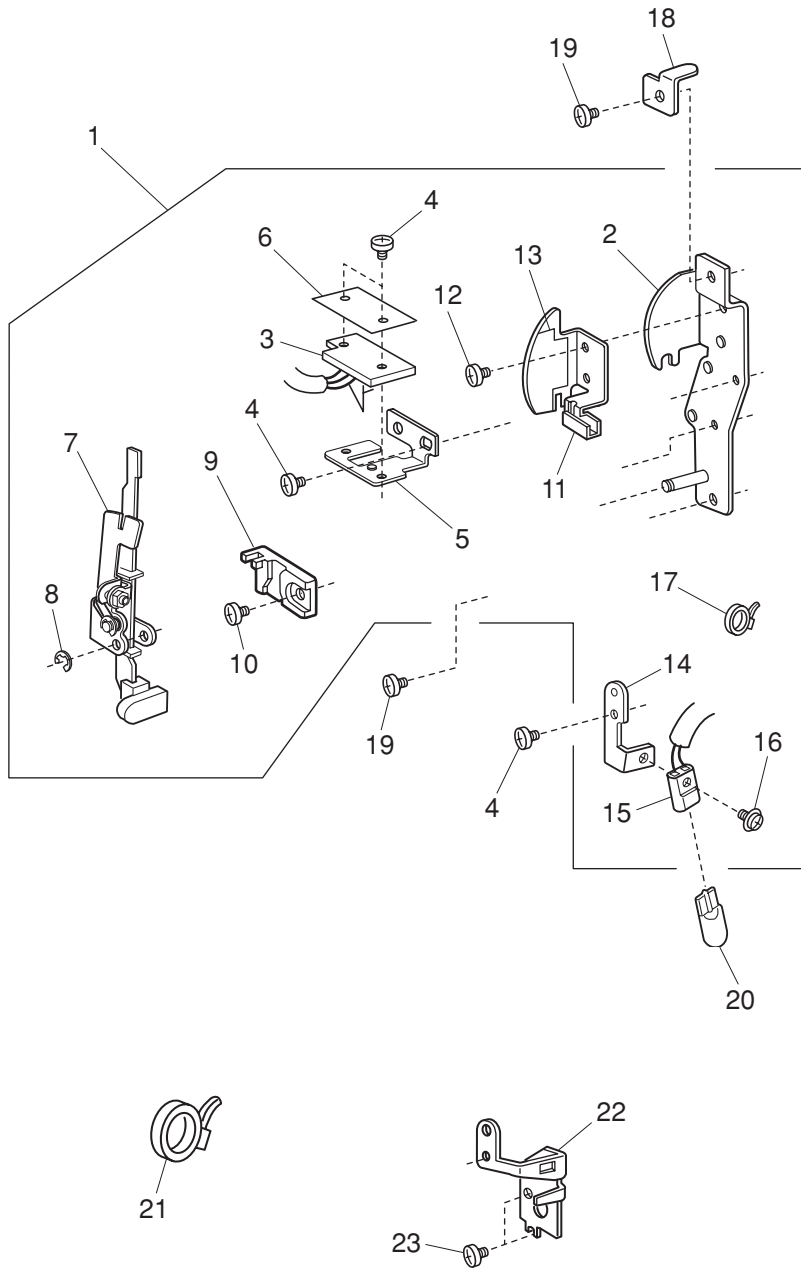
PARTS LIST



PARTS LIST

KEY NO.	PARTS NO.	DESCRIPTION
1	843653986	Face plate (unit)
2	843128A01	Face plate
3	843129A01	Plate
4	840602006	Thread cutter (unit)
5	827099003	Face plate sticker
6	731067002	Spring
7	000161206	Setscrew 3x10 (B)
8	843545009	Face plate hinge (unit)
9	000081119	Setscrew 4x6
10	843646300	Rear cover (unit)
11	843126A01	Rear cover
12	650503078	Thread guide (unit)
13	000014409	Snap ring CS-8
14	827503005	Top cover thread guide (unit)
15	000162001	Setscrew 2.6x5 (B)
16	659067005	Spool pin
17	000115205	Setscrew TP 4x6
18	810220003	Setscrew
19	000104119	Setscrew 4x20
20	000161309	Setscrew 3x12 (B)
21	000103509	Setscrew 4x10
22	000119601	Setscrew 4x25 (B)
23	822020503	Spool holder (large)
24	647009002	Bed rubber foot
25	751100000	Carrying handle
26	843005002	Carrying handle base plate
27	000081005	Setscrew 4x8
28	843127001	Extension table

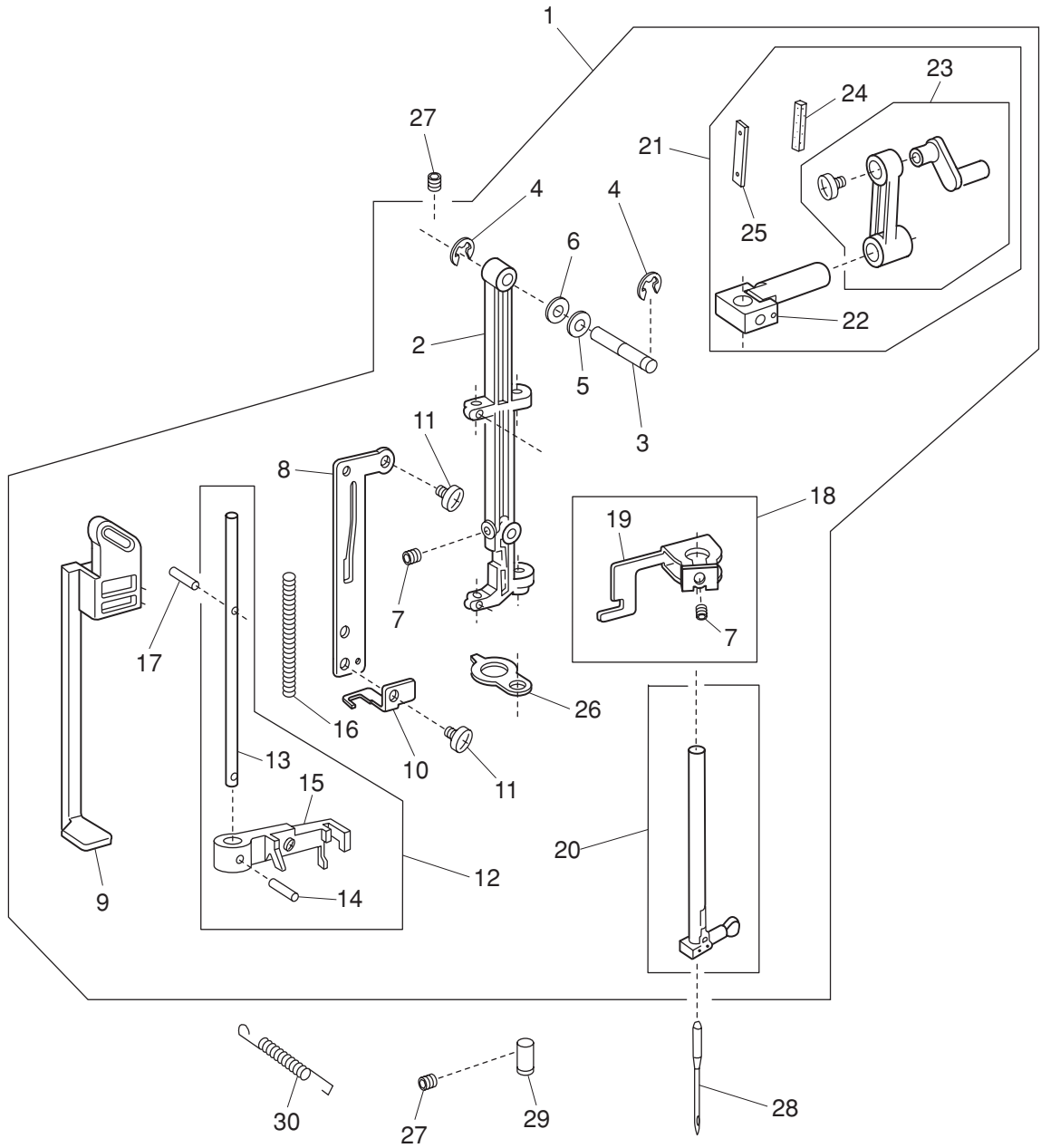
PARTS LIST



PARTS LIST

KEY NO.	PARTS NO.	DESCRIPTION
1	843623703	Front base plate (unit)
2	PREFISSO "J" 827028012	Front base plate
3	843502004	Printed circuit board E-1 (unit)
4	000101105	Setscrew 3x4
5	844040013	BH sensor set plate
6	845029008	Insulation paper
7	843625107	BH lever (unit)
8	000002105	Snap ring E-3
9	830057021	BH lever guide
10	PREFISSO "J" 000103808	Setscrew 3x5
11	827029013	Cord guide plate
12	652203004	Setscrew 3x3.5
13	829016002	Sticker
14	843055007	Lamp set plate (2)
15	PREFISSO "J" 843508206	Lamp socket (unit)
16	000115308	Setscrew TP 2x8
17	000053709	Cord binder
18	PREFISSO "J" 827106004	Set plate
19	000081005	Setscrew 4x8
20	000026002	Wedge base lamp 12V 5W
21	000053101	Cord binder
22	843038004	Lamp set plate (1)
23	PREFISSO "J" 000101507	Setscrew 3.5x5

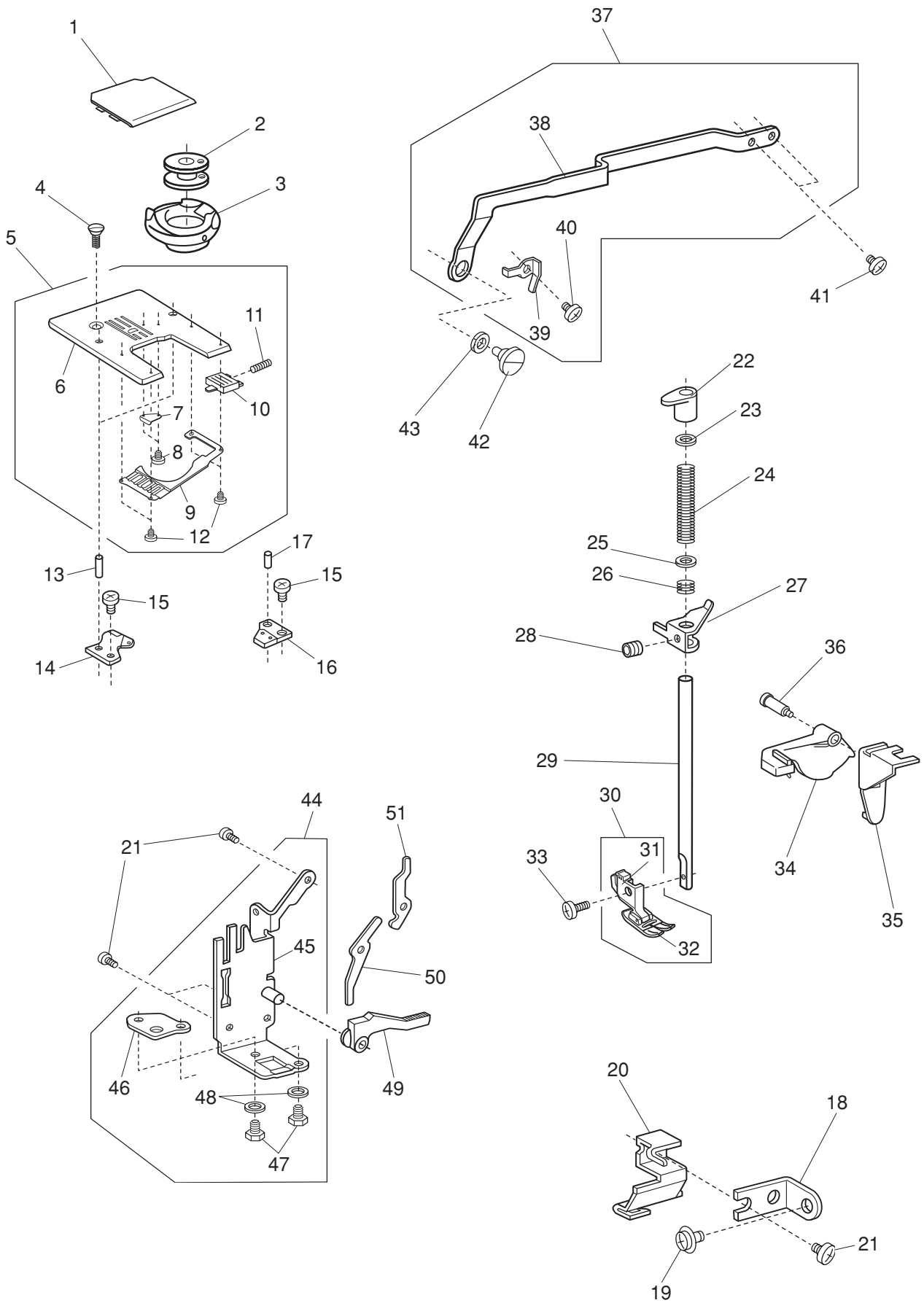
PARTS LIST



PARTS LIST

KEY NO.	PARTS NO.	DESCRIPTION
1	840647302	Needle bar supporter (unit)
2	827026010	Needle bar supporter
3	730022002	Needle bar supporter pin
4	000002507	Snap ring E-4
5	000070609	Washer 6
6	673022002	Washer
7	000111902	Hexagonal socket screw 3x4
8	840033000	Thread guide plate
9	840034001	Needle threader lever
10	840037004	Needle threader lever set plate
11	000078319	Setscrew 3x6
12	840646002	Needle threader shaft (unit)
13	840036003	Needle threader shaft
14	000003508	Spring pin 2x8
15	755643002	Threader plate (unit)
16	840035002	Needle threader spring
17	000125105	Guide pin E-2x16-CH
18	807607008	Threader position set plate (unit)
19	807018006	Threader position set plate
20	653503103	Needle bar (unit)
21	843652103	Needle bar connecting stud (whole unit)
22	301504104	Needle bar connecting stud (unit)
23	843543007	Needle bar crank pin (unit)
24	650040005	Felt
25	650041006	Felt holder spring
26	829027006	Supporter guide plate
27	000111201	Hexagonal socket screw 4x4
28	102408089	Needle
29	827083004	Supporter guide plate pin
30	827092006	Supporter spring

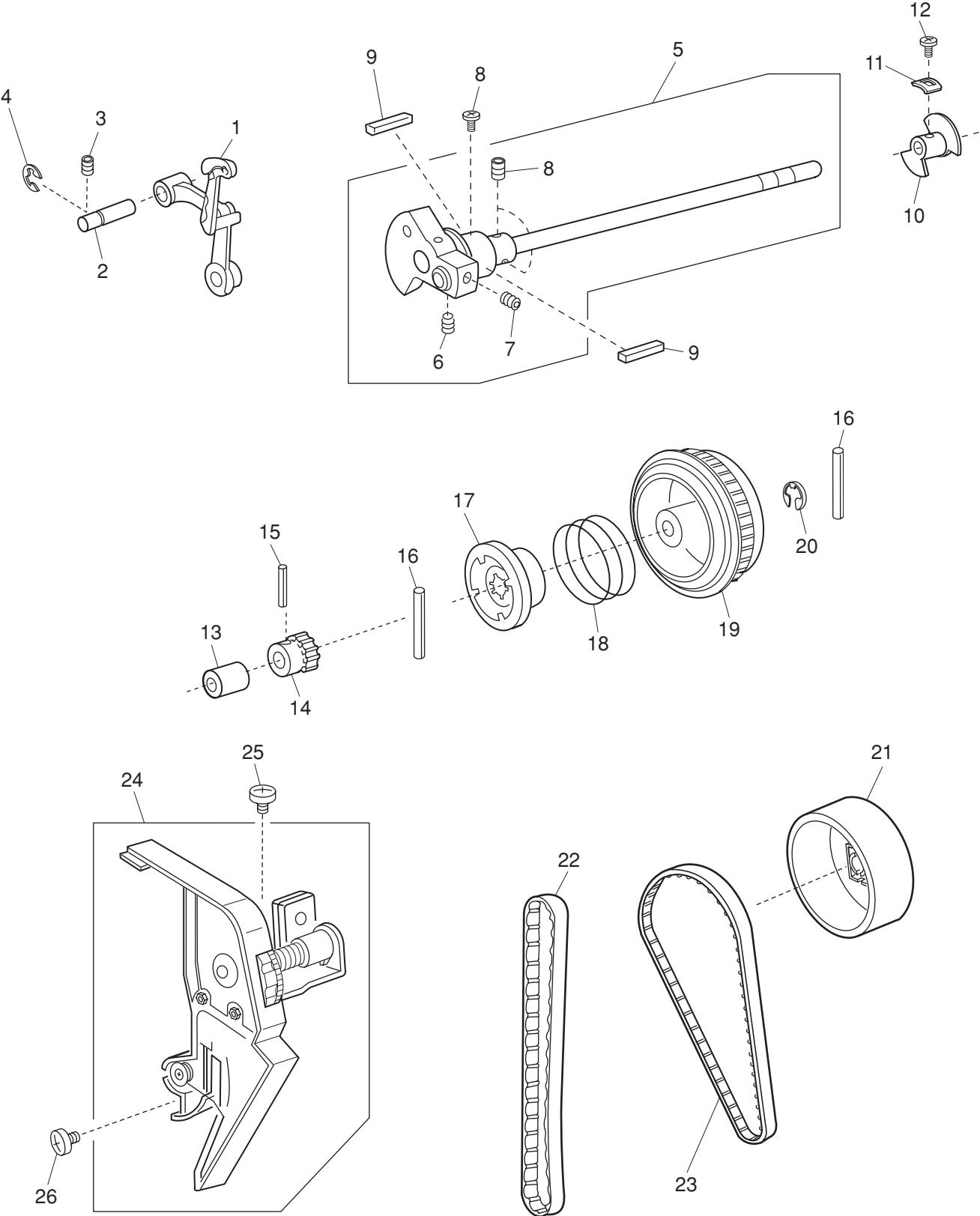
PARTS LIST



PARTS LIST

KEY NO.	PARTS NO.	DESCRIPTION
1	750036012	Hook cover plate
2	102261103	Bobbin
3	627569106	Bobbin holder (unit)
4	681009101	Needle plate setscrew
5	756604509	Needle plate (unit)
6	756008105	Needle plate
7	654078004	Rotation stopper
8	820373003	Setscrew 2x3
9	751374007	Hook cover plate holder
10	825016000	Hook cover plate holder release button
11	825017001	Hook cover plate holder spring
12	820374004	Setscrew 2x2.3
13	000122504	Guide pin D-3x10CH
14	827011001	Bobbin holder stopper
15	810220003	Setscrew
16	627567001	Bobbin holder stopper (unit)
17	000122700	Guide pin D-2.5x6-LC
18	827037003	Front panel set plate
19	000115205	Setscrew TP 4x6
20	827036002	Arm thread guide
21	000081005	Setscrew 4x8
22	652104004	Bushing
23	652201002	Washer
24	826006000	Presser bar spring
25	826055004	Washer
26	826056005	Spring
27	735028003	Presser bar supporter
28	000111500	Hexagonal socket screw 4x8
29	827021004	Presser bar
30	660509008	Presser foot (unit)
31	660806008	Presser foot holder (unit)
32	832523007	Zigzag foot (unit)
33	660106001	Setscrew
34	829013009	Presser foot pressure adjusting lever
35	829014000	Presser foot pressure adjusting plate
36	820090003	Setscrew
37	827622012	Zigzag rod (unit)
38	827055018	Zigzag rod
39	827088009	Zigzag rod spring
40	820373003	Setscrew 2x3
41	000078319	Setscrew 3x6
42	678084007	Eccentric pin
43	653037008	Washer
44	827608012	Presser base plate (unit)
45	827020014	Presser base plate
46	827082003	Foot regulating plate
47	000066303	Hexagonal bolt 4x6
48	000070908	Washer 4
49	735029200	Presser foot lifter
50	827022005	Tension release lever (1)
51	827023006	Tension release lever (2)

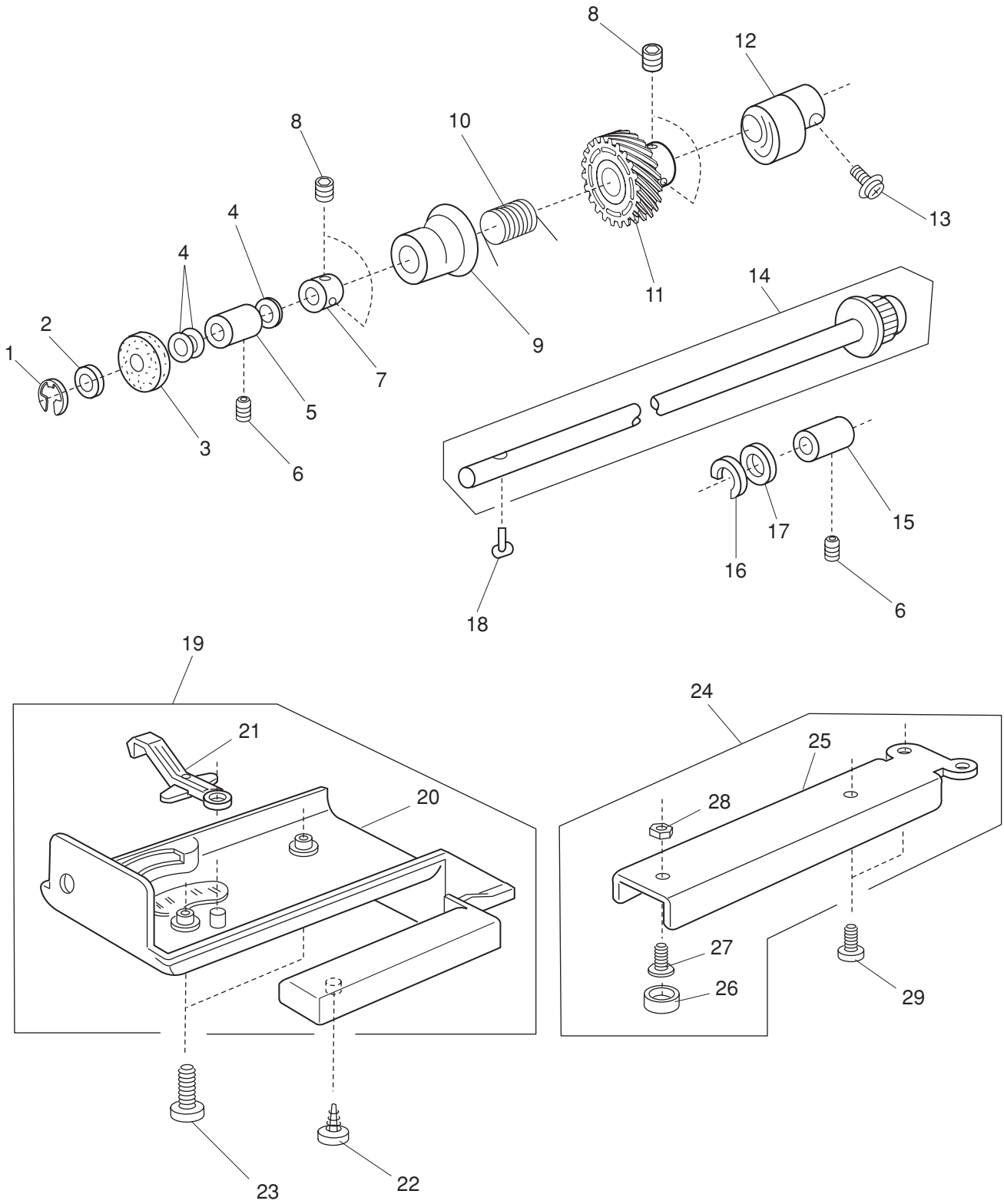
PARTS LIST



PARTS LIST

KEY NO.	PARTS NO.	DESCRIPTION
1	820511108	Thread take-up lever (unit)
2	650062003	Thread take-up lever pin
3	PREFISSO "J" 000111201	Hexagonal socket screw 4x4
4	000002806	Snap ring E-6
5	843643101	Upper shaft (unit)
6	000111706	Hexagonal socket screw 5x8
7	000110901	Hexagonal socket screw 5x4
8	000111304	Hexagonal socket screw 5x5
9	731384008	Felt
10	830095010	Upper shaft shielding plate
11	820102009	Washer
12	PREFISSO "J" 000081005	Setscrew 4x8
13	673062004	Upper shaft bushing (rear)
14	756017004	Upper shaft gear
15	000020501	Spring pin 3x22
16	000024206	Spring pin 3x30
17	PREFISSO "J" 502064003	Clutch ring
18	502065004	Clutch spring
19	844050016	Belt wheel
20	PREFISSO "J" 000030205	Snap ring E-8
21	844077101	Handwheel
22	650071005	Timing belt
23	653139012	Timing belt
24	843538102	Thread tension (unit)
25	PREFISSO "J" 000101404	Setscrew 4x6
26	000101703	Setscrew 4x12

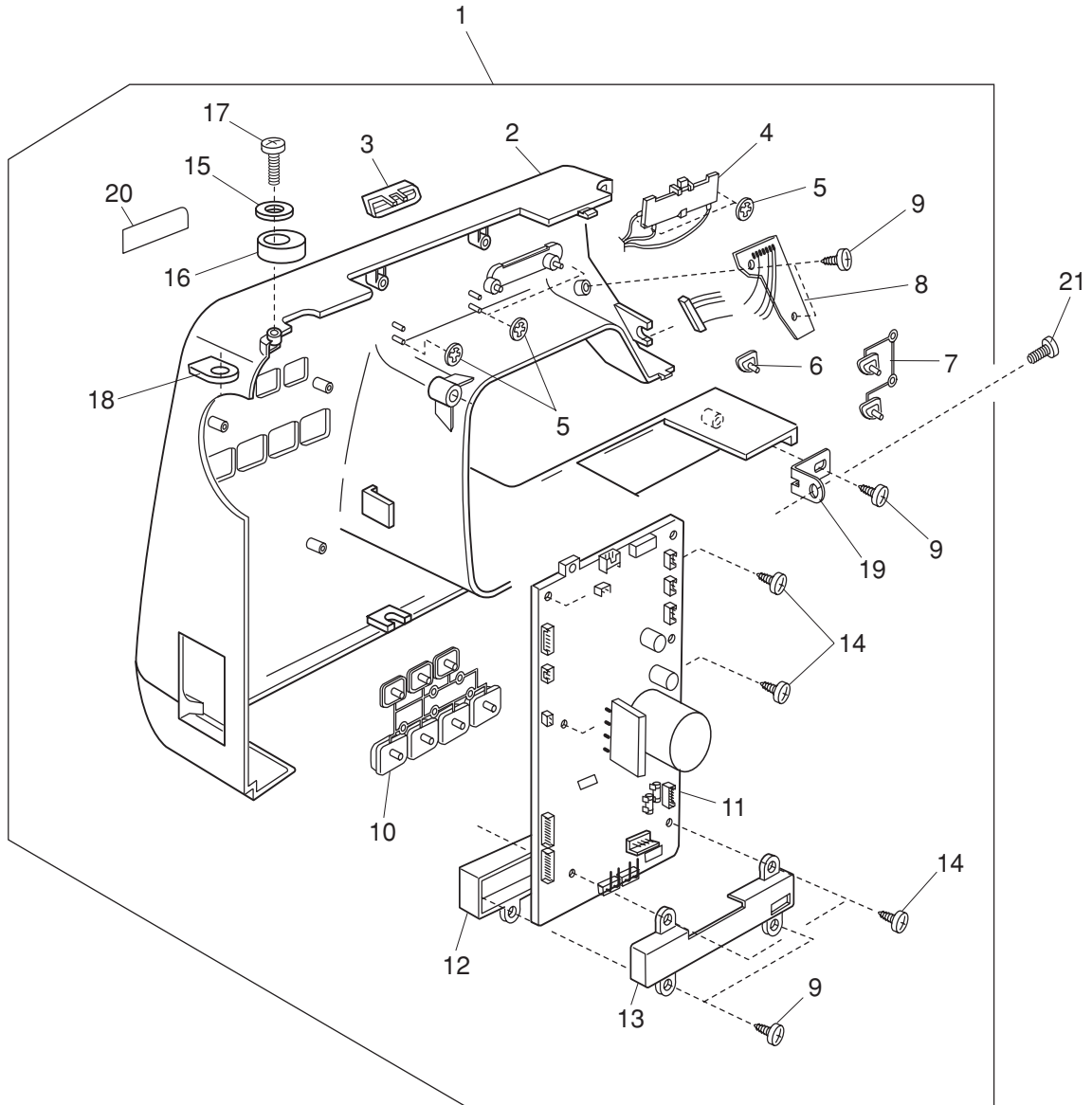
PARTS LIST



PARTS LIST

KEY NO.	PARTS NO.	DESCRIPTION
1	000002806	Snap ring E-6
2	858177002	Lower shaft washer
3	735143005	Felt
4	000038502	Washer
5	PREFISSO "J" 650078002	Lower shaft bushing (front)
6	000111304	Hexagonal socket screw 5x5
7	820166001	Ring
8	000111201	Hexagonal socket screw 4x4
9	753183025	Feed lifting cam
10	686035008	Feed lifting cam spring
11	PREFISSO "J" 808137005	Lower shaft gear
12	751148000	Feed cam
13	PREFISSO "J" 000115009	Setscrew TP 3x8
14	751612206	Lower shaft (unit)
15	650079003	Lower shaft bushing (rear)
16	822112008	Felt holder (1)
17	822070003	Felt
18	PREFISSO "J" 820161006	Feed lifting pin
19	843601004	Bed cover (unit)
20	843001008	Bed cover
21	PREFISSO "J" 753005000	Drop feed lever
22	000120203	Setscrew 3x8 (B)
23	000101703	Setscrew 4x12
24	827601107	Arm base (unit)
25	827002102	Arm base
26	PREFISSO "J" 735002001	Bed rubber foot
27	000192000	Setscrew 5x16
28	000061412	Nut 5-3-8
29	000066808	Setscrew 6x14

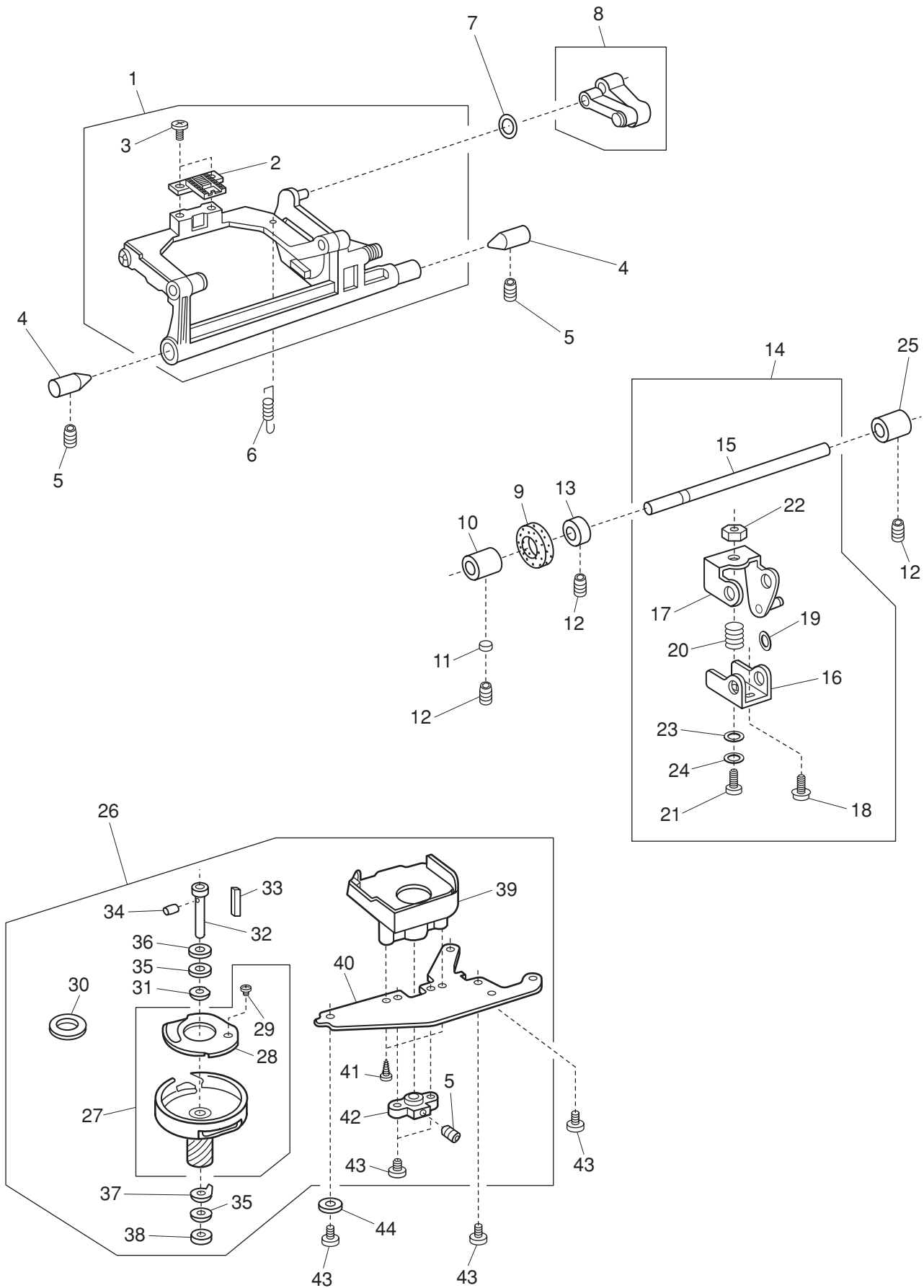
PARTS LIST



PARTS LIST

KEY NO.	PARTS NO.	DESCRIPTION
1	843648944	Front cover (unit)
2	843132A02	Front cover
3	843133000	Slide volume lever
4	653507082	Slide volume (unit)
5	000014306	Snap ring CS-3
6	843134A01	Button
7	843135A01	Button
8	849507203	Printed circuit board F (unit)
9	000120203	Setscrew 3x8 (B)
10	843136A02	Button
11	843401024	Printed circuit board A (unit)
12	843020106	Board A case cover
13	843021107	Board A case
14	000161206	Setscrew 3x10 (B)
15	000071013	Washer 4
16	735016307	Bobbin winder stopper
17	000103107	Setscrew 4x14
18	843014004	Nut
19	827069004	Front cover set panel (lower)
20	843137A02	Indicator window
21	000101404	Setscrew 4x6

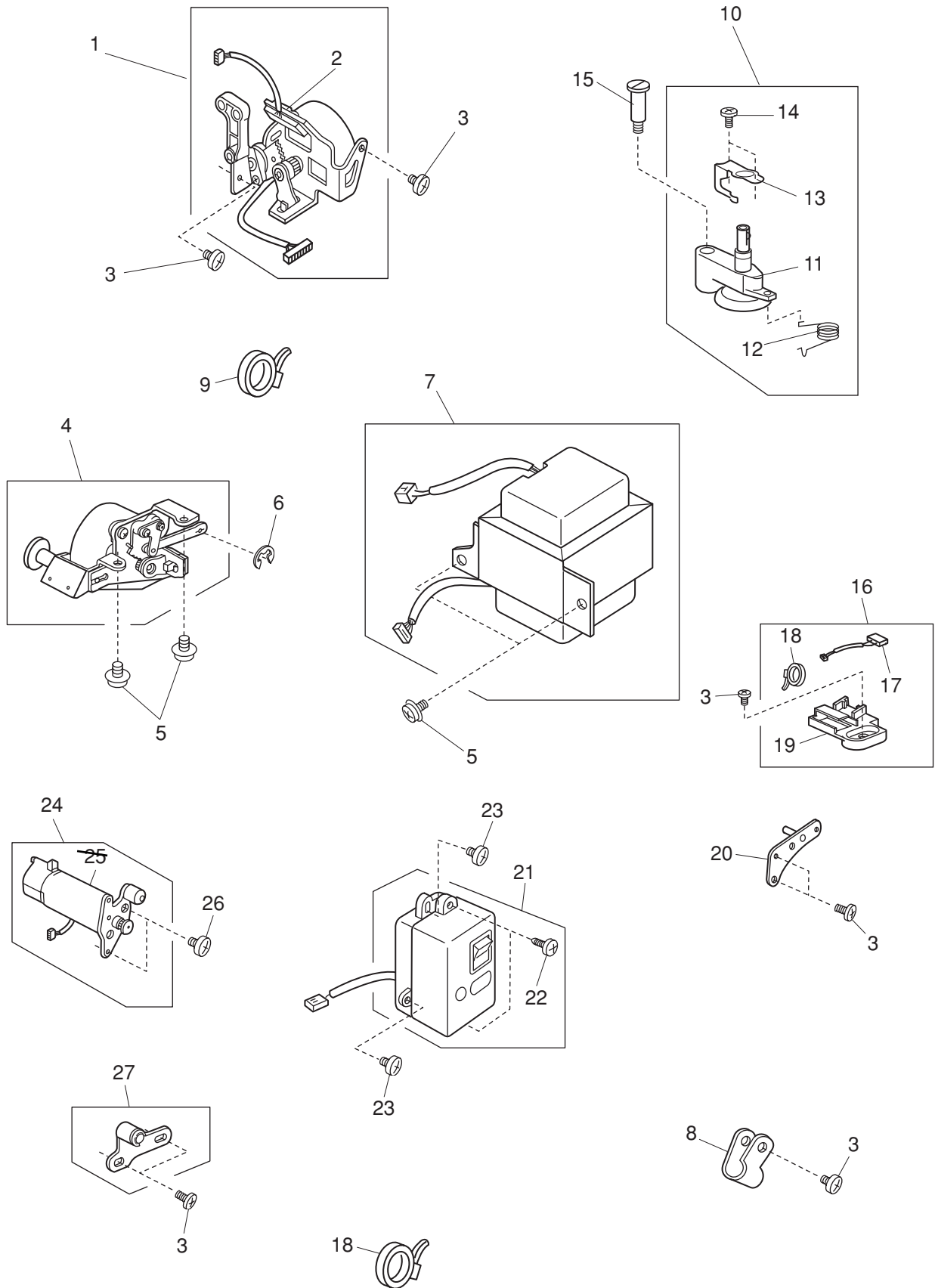
PARTS LIST



PARTS LIST

KEY NO.	PARTS NO.	DESCRIPTION
1	834527100	Feed rock shaft (unit)
2	840005003	Feed dog
3	000104005	Setscrew 3.5x8
4	738055008	Center pin
5	000111304	Hexagonal socket screw 5x5
6	650085002	Spring
7	000036603	Washer
8	650612004	Feed regulator (unit)
9	823110009	Felt
10	625144002	Bushing (front)
11	650175000	Cushion
12	000111201	Hexagonal socket screw 4x4
13	820387000	Ring
14	840603007	Feed shaft (unit)
15	840006004	Feed shaft
16	827043105	Feed adjusting arm (1)
17	825261002	Feed adjusting arm (2)
18	000115906	Setscrew TP 3x12
19	810207004	Washer
20	589040002	Spring
21	827086007	Feed adjusting arm screw
22	000160102	Adjustable lock nut 4
23	000071013	Washer 4
24	000036407	Washer
25	650092002	Bushing (rear)
26	827614088	Hook race (unit)
27	660536004	Hook body (unit)
28	508137006	Hook bottom plate
29	820374004	Setscrew 2x2.3
30	627190010	Magnet
31	508139008	Washer
32	820123006	Hook race shaft
33	820124007	Hook shaft oil wick (1)
34	820125008	Hook shaft oil wick (2)
35	000038409	Washer
36	508118001	Washer
37	627192001	Washer
38	625102008	Washer
39	827040009	Cover
40	823106002	Hook race set plate
41	000107204	Setscrew 3x12 (B)
42	650094004	Hook race shaft base
43	000081005	Setscrew 4x8
44	000070506	Washer 4

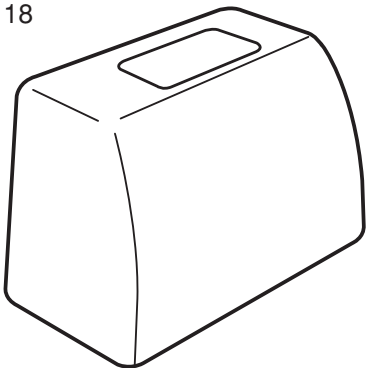
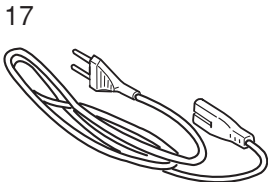
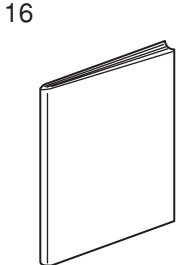
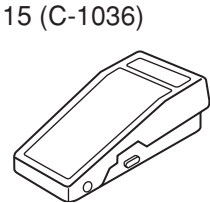
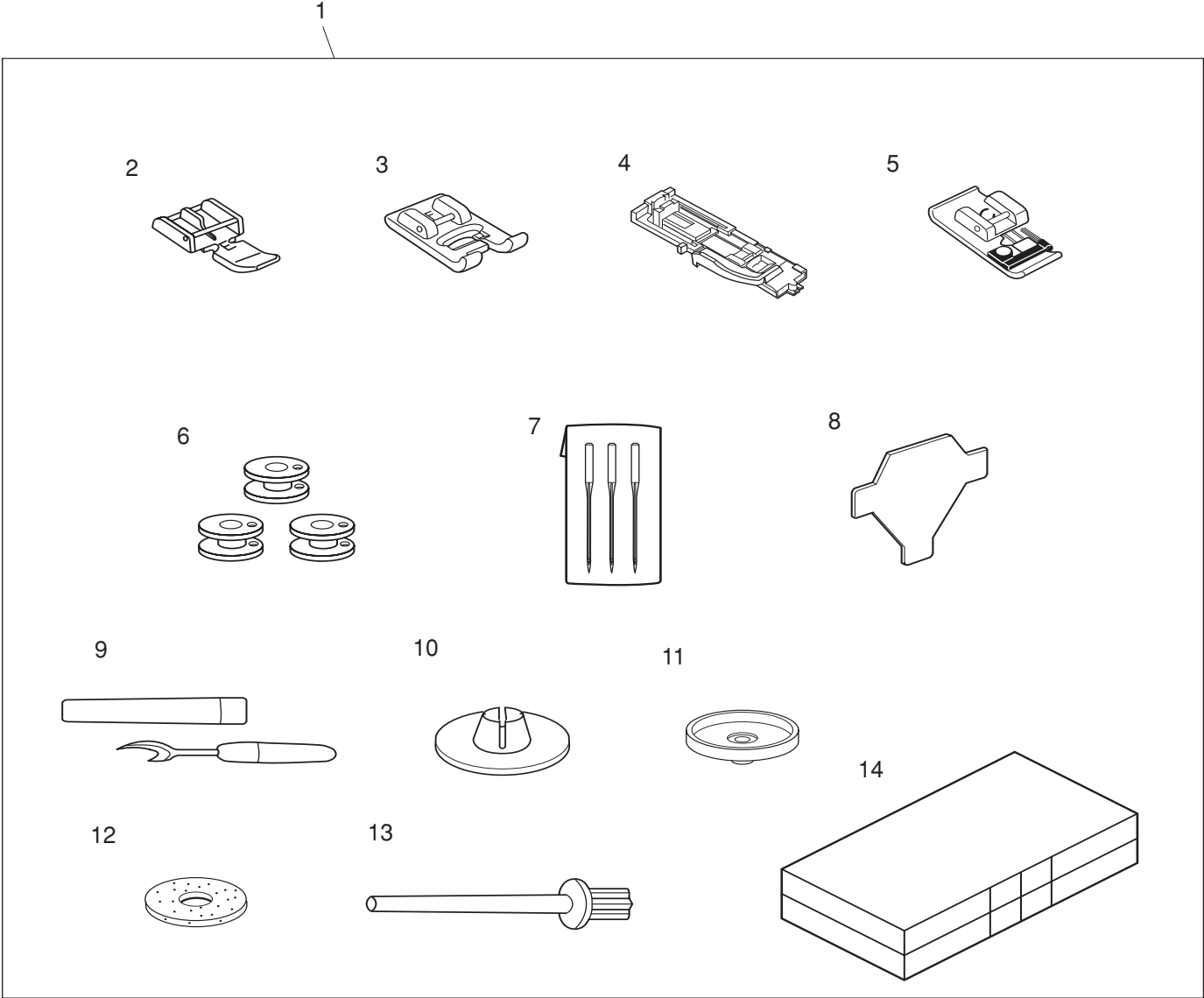
PARTS LIST



PARTS LIST

KEY NO.	PARTS NO.	DESCRIPTION
1	PREFISSO "J" 843608001	Zigzag width motor (unit)
2	843505007	Printed circuit board P (unit)
3	000081005	Setscrew 4x8
4	843606102	Feed motor (unit)
5	000115205	Setscrew TP 4x6
6	000002105	Snap ring E-3
7	843516001	Transformer (unit) (230V)
8	000188209	Nylon clip
9	000053101	Cord binder
10	844628033	Bobbin winder (unit)
11	827506008	Bobbin winder
12	823119008	Bobbin winder arm spring
13	844075039	Clutch releasing arm
14	000120203	Setscrew 3x8 (B)
15	652093009	Setscrew
16	843628007	Machine socket base plate (unit)
17	PREFISSO "J" 753507203	Buttonhole selector switch (unit)
18	000053008	Cord binder
19	843067002	Switch fixing base
20	PREFISSO "J" 843034000	Fixing plate
21	843519004	Machine socket (unit)
22	000121204	Setscrew 4x8 (B)
23	000103509	Setscrew 4x10
24	843615001	Motor (unit)
25	843518003	Motor
26	000115700	Setscrew TP 4x10
27	PREFISSO "J" 652611009	Idler (unit)

PARTS LIST



PARTS LIST

KEY NO.	PARTS NO.	DESCRIPTION
1	PREFISSO "J" 843870338	Accessory set (unit)
2	808852003	Zipper foot
3	822804118	Satin foot
4	753801004	Buttonhole foot
5	822801001	Overedge foot
6	102261103	Bobbin
7	639804000	Needle set
8	PREFISSO "J" 653802002	Screwdriver
9	647808009	Seam ripper
10	822019509	Spool cap (small)
11	829803004	Spool stand
12	102403109	Felt
13	PREFISSO "J" 625031500	Spool pin (2)
14	843823004	Accessory box
15	C-1036	Foot control (Thailand)
	033570330	Foot control (Taiwan)
16	843801970	Instruction book
17	830335004	Power supply cord
18	PREFISSO "J" 479701705	Hard cover