

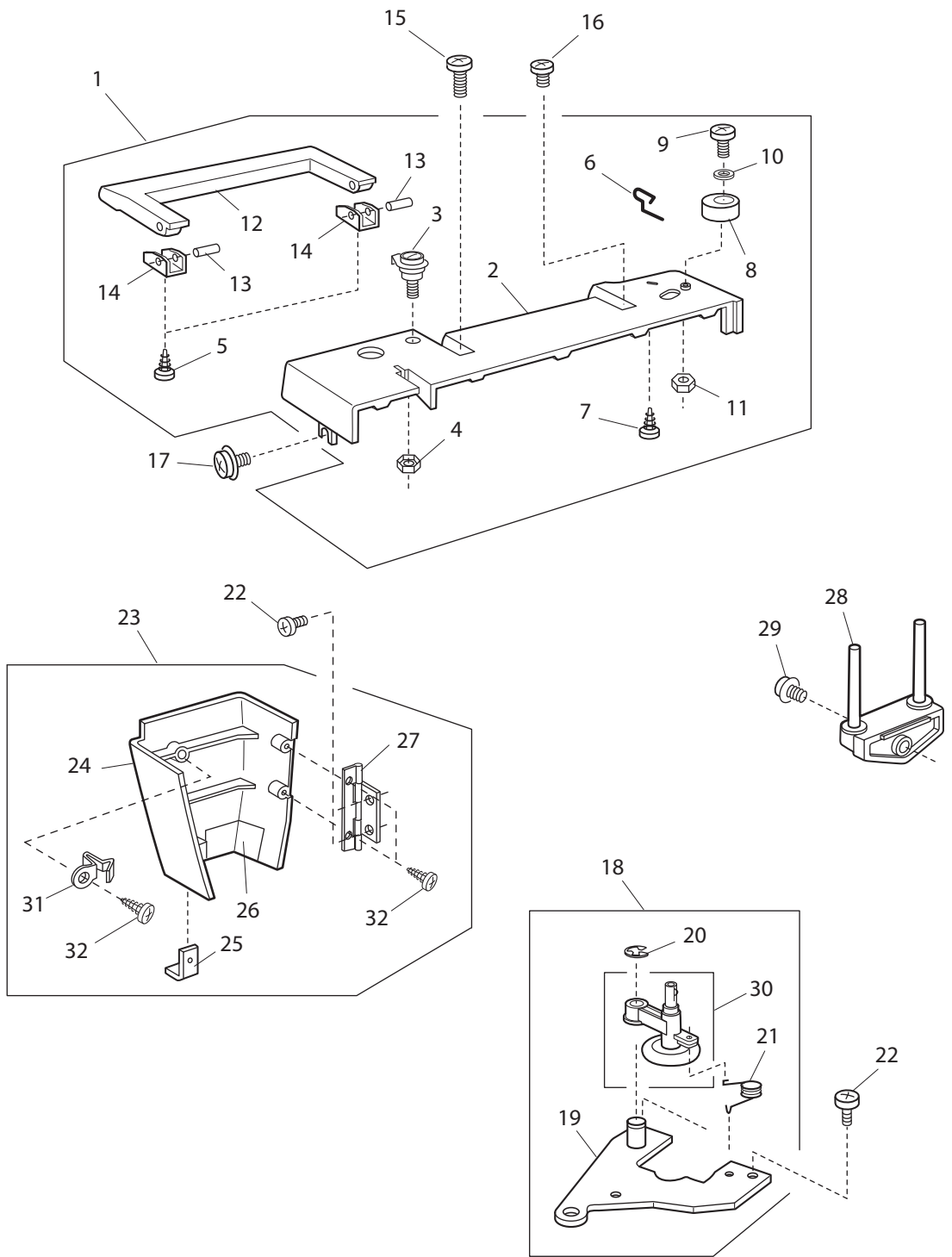


SINGER®

984

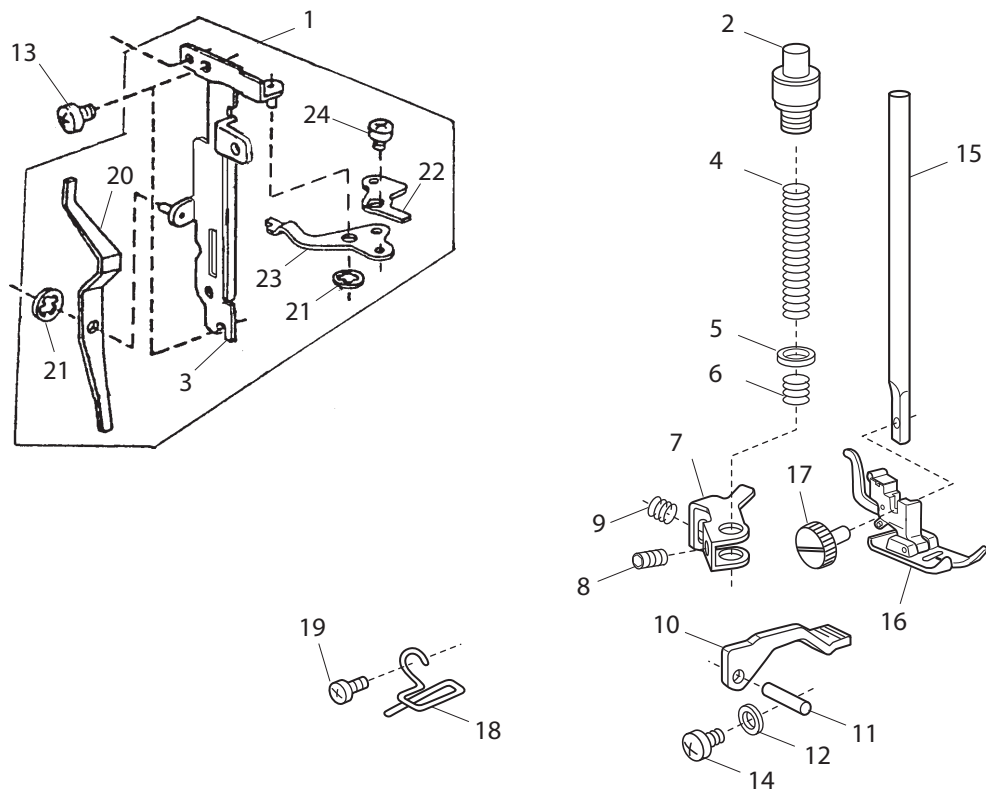
Liste de pièces
Lista de Piezas
Parts List

A



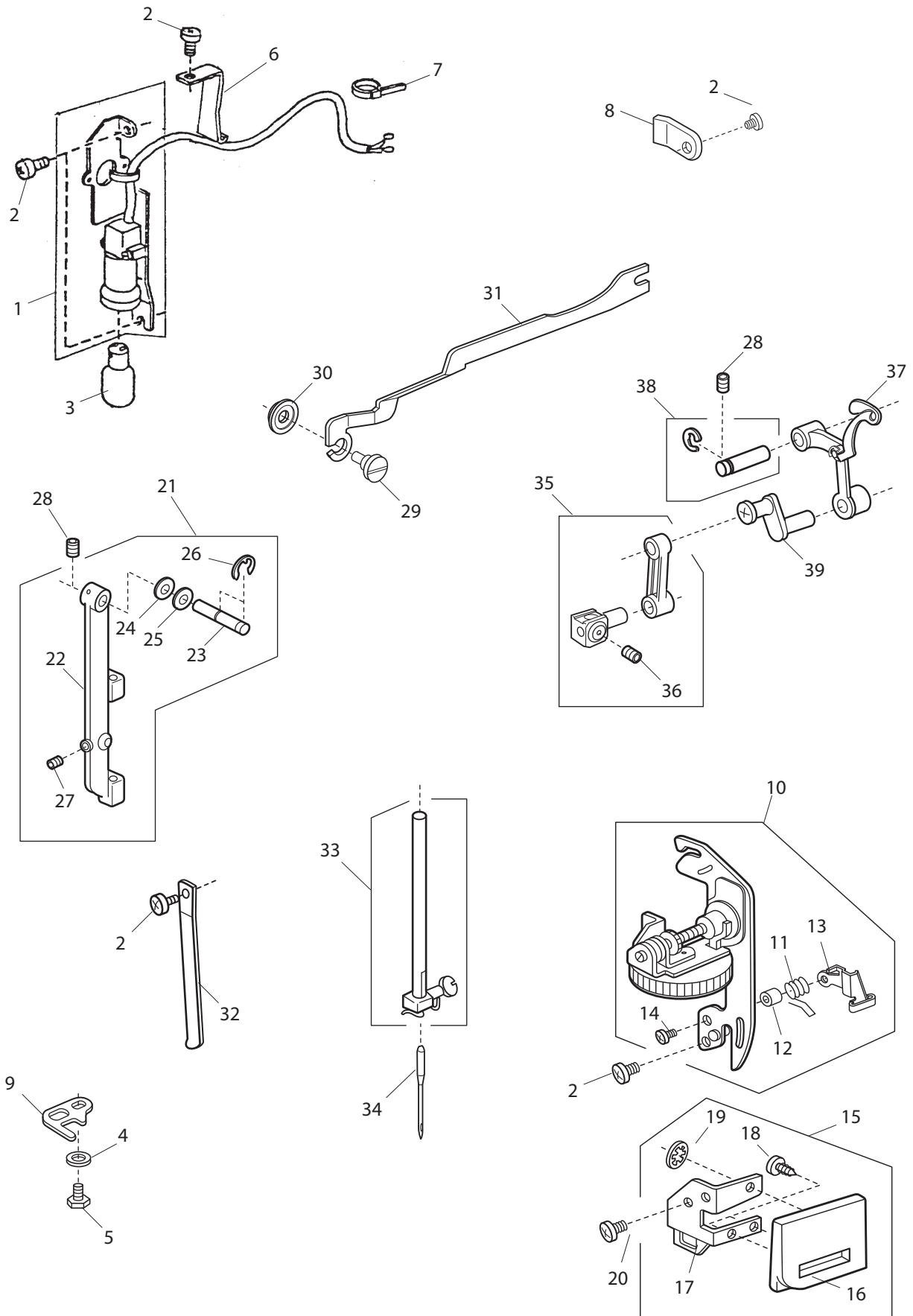
| <u>Ref No</u> | <u>Part No</u> | <u>Part Name</u> |
|---------------|----------------|---------------------------|
| 1 | | Top cover (unit) |
| 2 | | Top cover |
| 3 | | Thread guide plate (unit) |
| 4 | | Adjustable lock nut |
| 5 | | Setscrew TP 3x12 (B) |
| 6 | | Top cover thread guide |
| 7 | | Setscrew TP 3x6 |
| 8 | | Bobbin winder stopper |
| 9 | | Setscrew 4x16 |
| 10 | | Washer 4 |
| 11 | | Nut 4-3-7 |
| 12 | | Carrying handle |
| 13 | | Handle fixing plate pin |
| 14 | | Handle fixing plate |
| 15 | | Setscrew 4x20 |
| 16 | | Setscrew 4x6 |
| 17 | | Setscrew TP 4x6 |
| 18 | | Bobbin winder (unit) |
| 19 | | Bobbin winder base plate |
| 20 | | Snap ring E-6 |
| 21 | | Bobbin winder spring |
| 22 | | Setscrew 4x8 |
| 23 | | Face plate (unit) |
| 24 | | Face plate |
| 25 | | Thread cutter (unit) |
| 26 | | Sticker |
| 27 | | Face plate hinge (unit) |
| 28 | | Spool pin base |
| 29 | | Setscrew TP 4x10 |
| 30 | | Bobbin winder arm (unit) |
| 31 | | Face plate spring |
| 32 | | Setscrew 3x9 (B) |

B



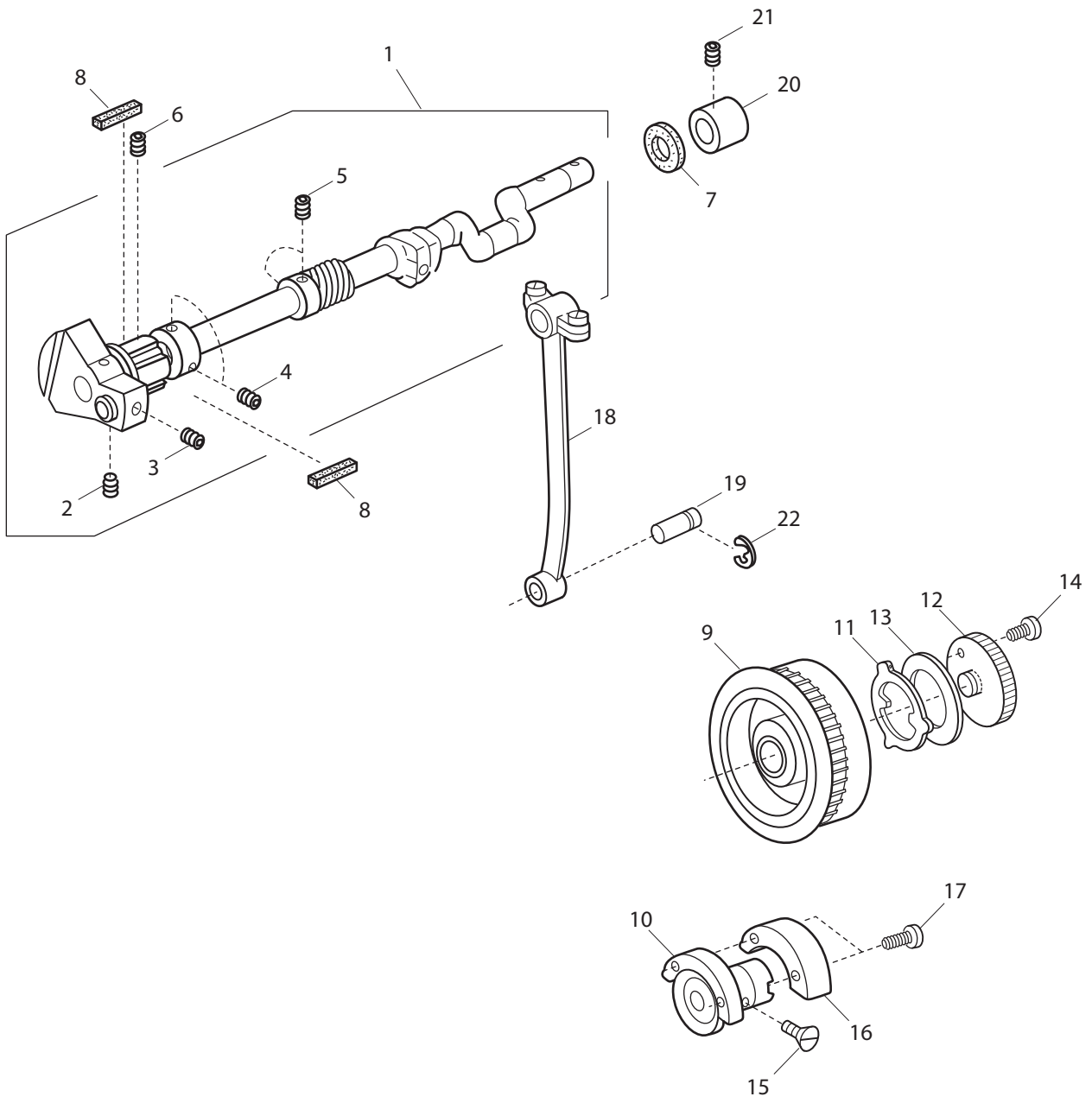
| Ref No | Part No | Part Name |
|--------|---------|----------------------------------|
| 1 | | Front barcket (unit) |
| 2 | | Pressure regulator (unit) |
| 3 | | Front bracket |
| 4 | | Presser bar spring |
| 5 | | Washer |
| 6 | | Pressure regulator spring |
| 7 | | Presser bar guide bracket |
| 8 | | Hexagonal socket screw 4x8 |
| 9 | | Pressure regulator spring |
| 10 | | Presser foot lifter |
| 11 | | Presser foot lifter pin |
| 12 | | Washer 4 |
| 13 | | Setscrew 4x6 |
| 14 | | Setscrew 4x10 |
| 15 | | Presser bar |
| 16 | | Foot holder (unit) |
| 17 | | Thumbscrew |
| 18 | | Arm thread guide |
| 19 | | Setscrew 3.5x5 |
| 20 | | Thread tension release lever |
| 21 | | Snap ring CS-5 |
| 22 | | Thread tension release plate (1) |
| 23 | | Thread tension release plate (2) |
| 24 | | Setscrew 3x5 |

C



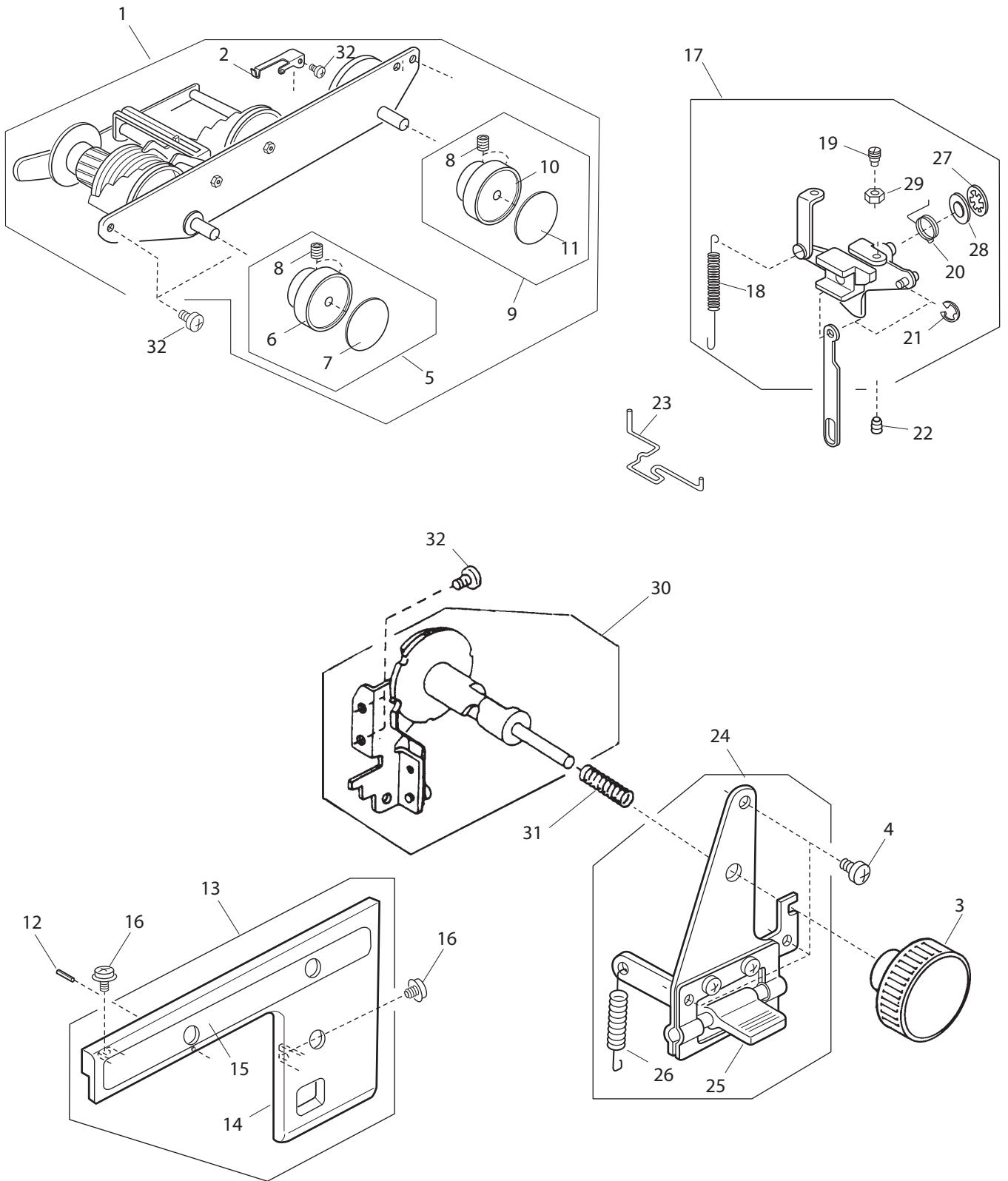
| Ref No | Part No | Part Name |
|--------|---------|-----------------------------------|
| 1 | | Lamp socket (unit) |
| 2 | | Setscrew 4x6 |
| 3 | | Lamp 240V |
| 4 | | Washer 4 |
| 5 | | Hexagonal bolt 4x6 |
| 6 | | Cord holder |
| 7 | | Cord binder |
| 8 | | Cord guide |
| 9 | | Stopper |
| 10 | | Thread tension regulator (unit) |
| 11 | | Check spring |
| 12 | | Cushion |
| 13 | | Thread guide |
| 14 | | Setscrew 3x10 |
| 15 | | Front decorative frame (unit) |
| 16 | | Front decorative frame |
| 17 | | Face cover set plate |
| 18 | | Setscrew 3x8 (B) |
| 19 | | Snap ring CS-4 |
| 20 | | Setscrew 3.5x5 |
| 21 | | Needle bar supporter (unit) |
| 22 | | Needle bar supporter |
| 23 | | Needle bar supporter pin |
| 24 | | Spring washer |
| 25 | | Plain washer 6 |
| 26 | | Snap ring E-4 |
| 27 | | Hexagonal socket screw 3x4 |
| 28 | | Hexagonal socket screw 5x5 |
| 29 | | Eccentric pin |
| 30 | | Zigzag rod washer |
| 31 | | Zigzag rod |
| 32 | | Needle bar supporter spring |
| 33 | | Needle bar (unit) |
| 34 | | Needle HA1-14 |
| 35 | | Needle bar connecting stud (unit) |
| 36 | | Hexagonal socket screw 4x4 |
| 37 | | Thread take-up lever (unit) |
| 38 | | Thread take-up lever pin (unit) |
| 39 | | Needle bar crank pin (unit) |

D



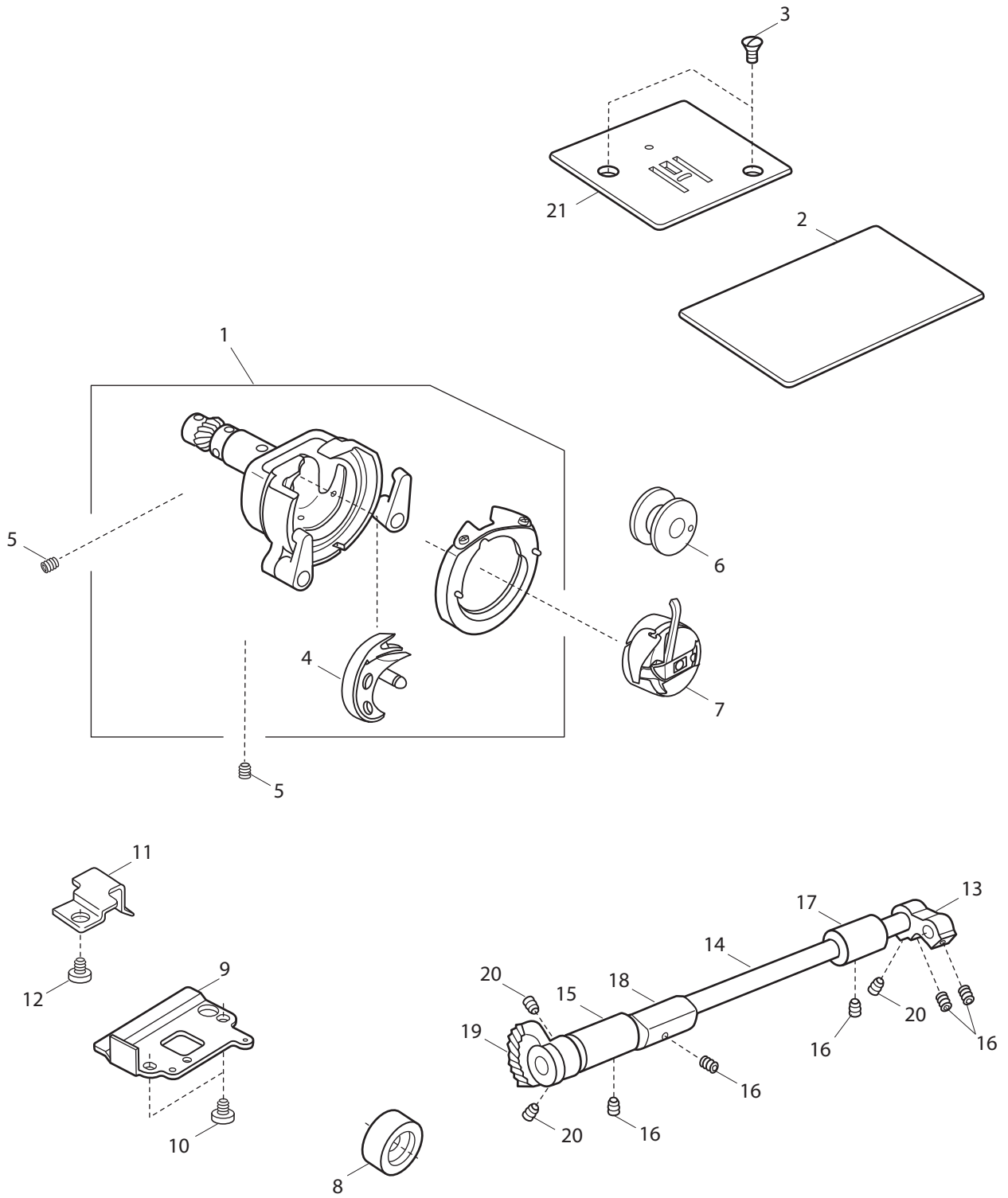
| Ref No | Part No | Part Name |
|--------|---------|----------------------------|
| 1 | | Upper shaft (unit) |
| 2 | | Screw |
| 3 | | Screw |
| 4 | | Hexagonal socket screw 5x5 |
| 5 | | Hexagonal socket screw 4x4 |
| 6 | | Hexagonal socket screw 4x6 |
| 7 | | Felt |
| 8 | | Felt |
| 9 | | Handwheel |
| 10 | | Handwheel bushing |
| 11 | | Motion washer |
| 12 | | Motion screw |
| 13 | | Washer |
| 14 | | Setscrew |
| 15 | | Setscrew |
| 16 | | Balance weight |
| 17 | | Setscrew 3x12 |
| 18 | | Crank rod (unit) |
| 19 | | Crank rod pin |
| 20 | | Upper shaft rear bushing |
| 21 | | Hexagonal socket screw 4x6 |
| 22 | | Snap ring E-6 |

E



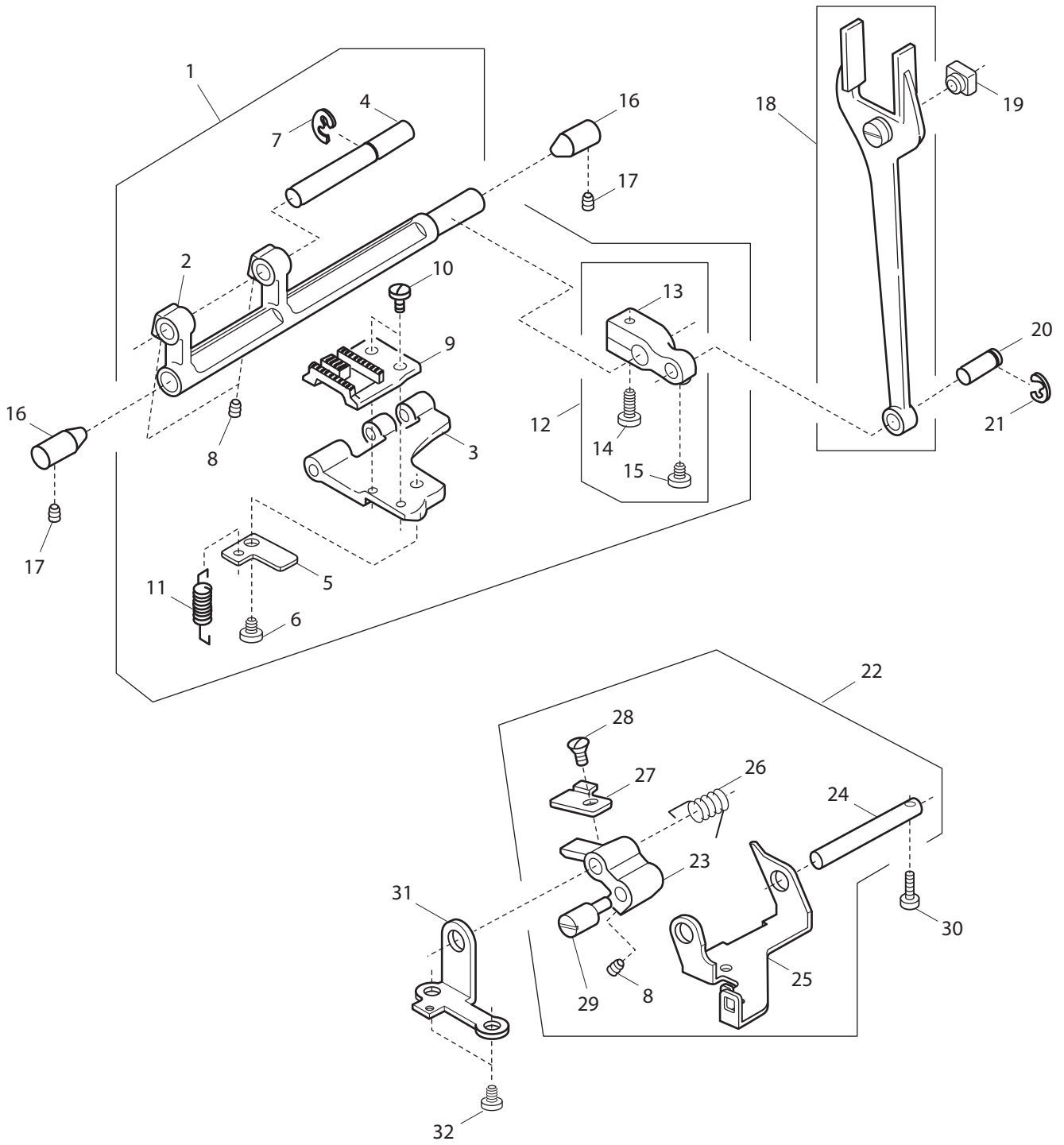
| Ref No | Part No | Part Name |
|--------|---------|-------------------------------|
| 1 | | Zigzag mechanism (unit) |
| 2 | | Index spring |
| 3 | | Stitch length dial (unit) |
| 4 | | Setscrew 4x8 |
| 5 | | Pattern width dial (unit) |
| 6 | | Dial |
| 7 | | Stitch width indicating plate |
| 8 | | Hexagonal socket screw 4x4 |
| 9 | | Stitch selector dial (unit) |
| 10 | | Dial |
| 11 | | Pattern indicator plate |
| 12 | | Spring pin |
| 13 | | Front cover (unit) |
| 14 | | Front cover |
| 15 | | Decoration plate |
| 16 | | Setscrew TP 4x6 |
| 17 | | Feed regulator (unit) |
| 18 | | Feed regulator spring |
| 19 | | Setscrew |
| 20 | | Feed regulating body spring |
| 21 | | Snap ring E-3 |
| 22 | | Hexagonal socket screw 5x5 |
| 23 | | Spring sustainer |
| 24 | | Reverse feed lever (unit) |
| 25 | | Reverse feed lever |
| 26 | | Reverse feed lever spring |
| 27 | | Snap ring SC-5 |
| 28 | | Washer |
| 29 | | Adjustable lock nut |
| 30 | | Feed regulating cam (unit) |
| 31 | | Spring |
| 32 | | Setscrew 4x6 |

F



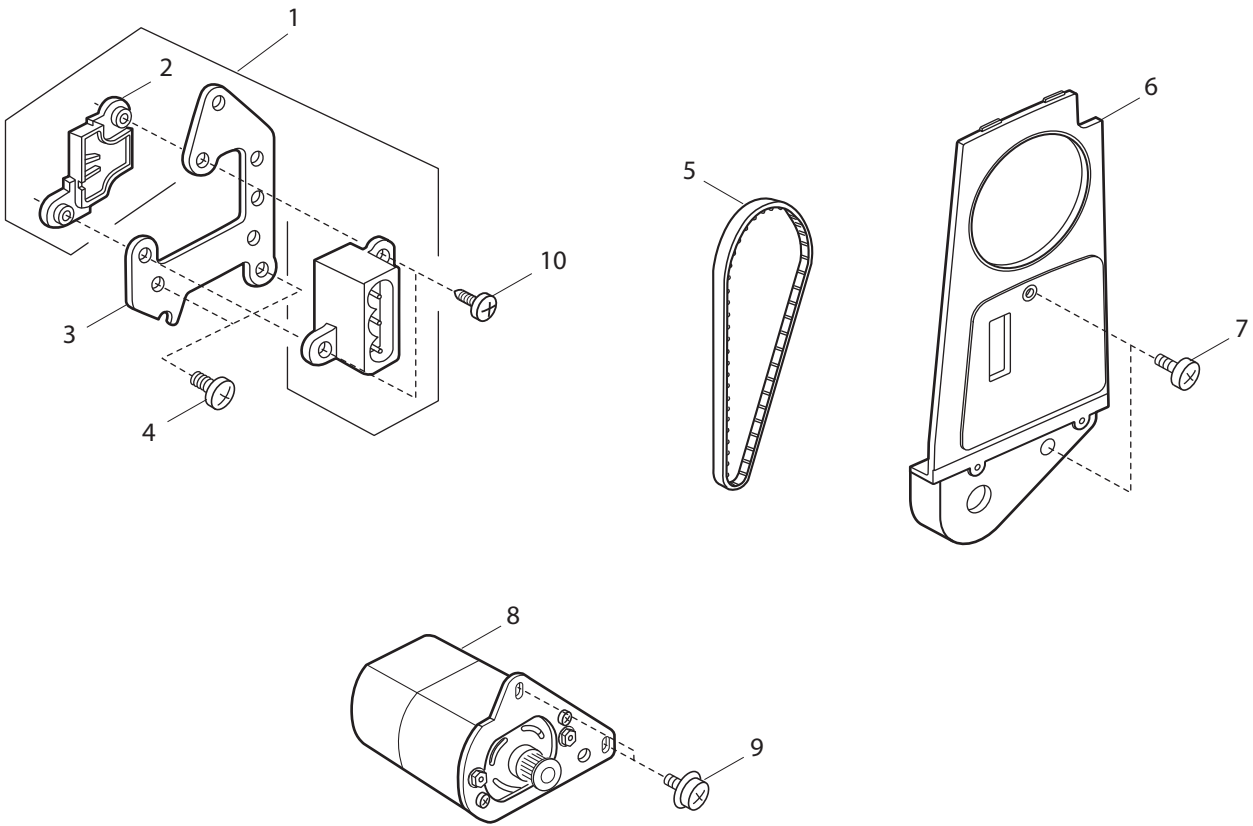
| Ref No | Part No | Part Name |
|--------|---------|-------------------------------|
| 1 | | Hook race (unit) |
| 2 | | Hook cover plate |
| 3 | | Flat screw |
| 4 | | Hook |
| 5 | | Hexagonal socket screw 5x4 |
| 6 | | Bobbin |
| 7 | | Bobbin case (unit) |
| 8 | | Hook driver shaft bushing |
| 9 | | Gear box rear cover |
| 10 | | Setscrew 5x6 |
| 11 | | Gear box upper cover |
| 12 | | Screw 4x6 |
| 13 | | Lower shaft crank |
| 14 | | Lower shaft |
| 15 | | Lower shaft front bushing |
| 16 | | Hexagonal socket screw 5x5 |
| 17 | | Lower shaft rear bushing |
| 18 | | Feed lifting cam |
| 19 | | Lower shaft gear |
| 20 | | Hexagonal socket screw 5x5 WP |
| 21 | | Needle plate |

G



| Ref No | Part No | Part Name |
|--------|---------|---------------------------------|
| 1 | | Feed rock shaft (unit) |
| 2 | | Feed rock shaft |
| 3 | | Feed dog base |
| 4 | | Feed dog base shaft |
| 5 | | Feed dog base sliding plate |
| 6 | | Setscrew |
| 7 | | Snap ring E-4 |
| 8 | | Hexagonal socket screw 4x6 |
| 9 | | Feed dog |
| 10 | | Setscrew |
| 11 | | Feed dog base spring |
| 12 | | Feed rock shaft crank (unit) |
| 13 | | Feed rock shaft crank |
| 14 | | Setscrew |
| 15 | | Setscrew |
| 16 | | Straight pin |
| 17 | | Hexagonal socket screw 5x5 |
| 18 | | Fork rod (unit) |
| 19 | | Feed regulator slide block |
| 20 | | Feed rock shaft connecting pin |
| 21 | | Snap ring E-6 |
| 22 | | Feed lifting arm (unit) |
| 23 | | Feed lifting arm |
| 24 | | Feed lifting arm spring |
| 25 | | Drop feed selecting plate |
| 26 | | Drop feed selecting spring |
| 27 | | Sliding plate |
| 28 | | Flat screw |
| 29 | | Feed lifting crank roller shaft |
| 30 | | Setscrew 4x12 |
| 31 | | Feed lifting arm shaft holder |
| 32 | | Setscrew 4x6 |

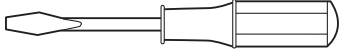
H



| <u>Ref No</u> | <u>Part No</u> | <u>Part Name</u> |
|---------------|----------------|--------------------------|
| 1 | | Machine socket (unit) |
| 2 | | Machine socket cover |
| 3 | | Machine socket set plate |
| 4 | | Setscrew 4x8 |
| 5 | | Timing belt |
| 6 | | Belt cover |
| 7 | | Setscrew 4x20 |
| 8 | | Motor (unit) |
| 9 | | Setscrew TP 5x10 |
| 10 | | Setscrew 3x14 (B) |

1

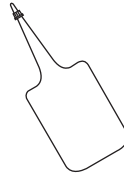
2



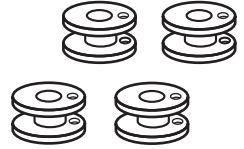
3



4



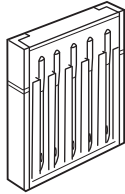
5



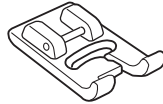
6



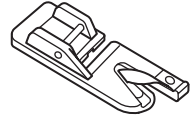
7



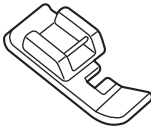
8



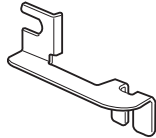
9



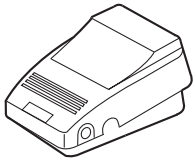
10



11



12



13



| <u>Ref No</u> | <u>Part No</u> | <u>Part Name</u> |
|---------------|----------------|-------------------------------|
| 1 | | Accessory set |
| 2 | | Large screw driver |
| 3 | | Small screw driver |
| 4 | | Oil |
| 5 | | Bobbin |
| 6 | | Seam ripper/Buttonhole opener |
| 7 | | Needle set |
| 8 | | Automatic buttonhole foot |
| 9 | | Hemmer foot |
| 10 | | Zipper foot |
| 11 | | Hem guide |
| 12 | | Foot control |
| 13 | | Instruction book |