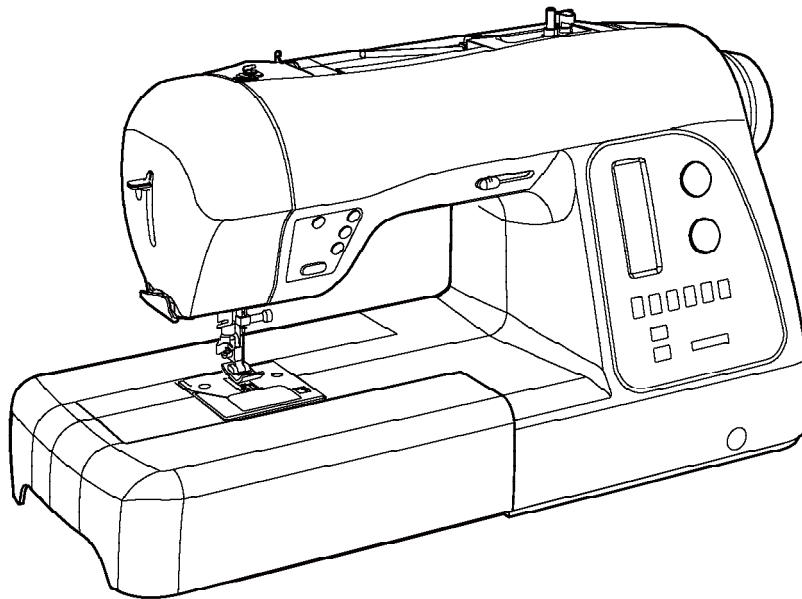
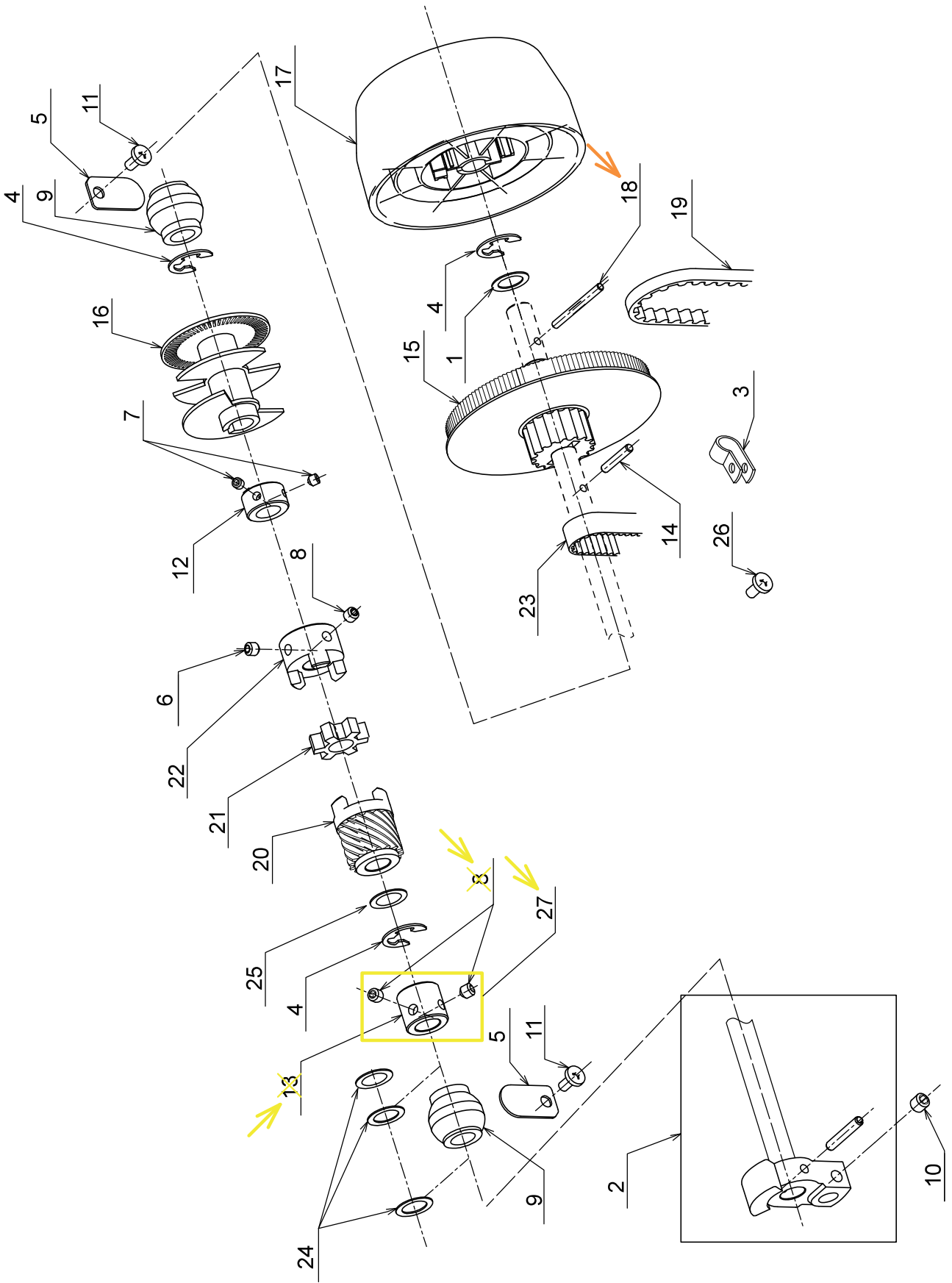




8500Q



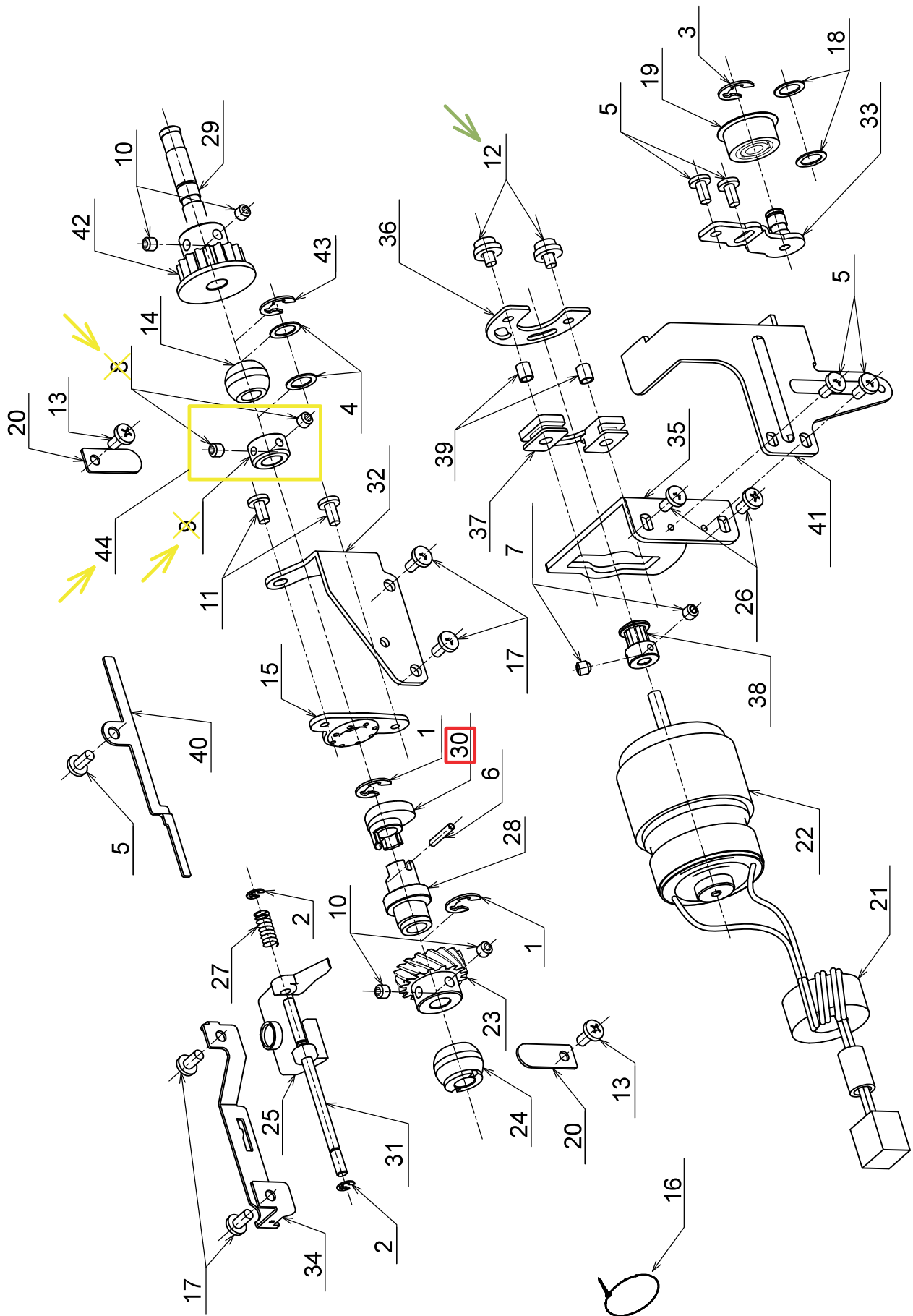
Liste de pièces Lista de Piezas Parts List



Pos	Part No	Description
1	270 043389	THRUST WASHER
2	416593301	MAIN SHAFT WITH BALANCER
3	270 058741	CORD GUARD
4	416826701	E9 CLIP-ON-WASHER
5	270 066235	SECURING PLATE
6	270 066474	M5 SCREW
7	270 066725	M4 SCREW
8		
9	270 068152	BALL BUSH
10	270 073371	M6 SCREW
11	270 073434	M4 PHILIPS SCREW
12	270 085013	POSITIONING COLLAR
13		
14	416433401	SPRING PIN
15	416433301	DOUBLE T PULLEY
16	416433701	CAM SENSOR
17	416433101	PULLEY
18	416461001	PIN
19	416433501	DRIVING BELT
20	416558601	MAIN SHAFT SCREW GEAR
21	416665101	RUBBER CUSHION
22	416665201	MAIN SHAFT SCREW GEAR FIXING RING
23	416433601	TIMING BELT
24	68009434	WASHER
25	270 074358	WASHER
26	270 077042	M4 PHILLIPS SCREW
27	416531201	COLLAR SET

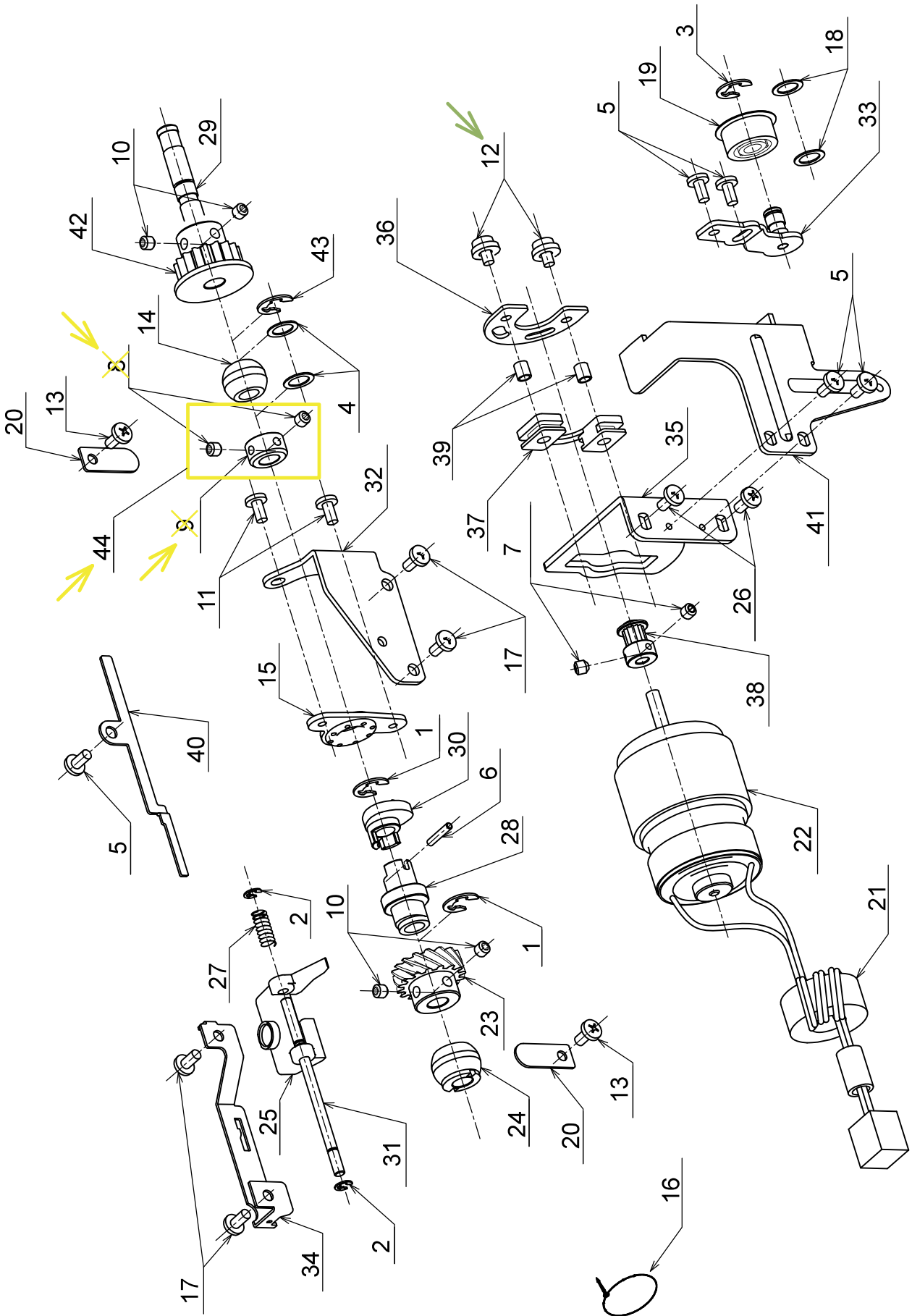
B-1

Rating plate Serial H14198***** or Lower



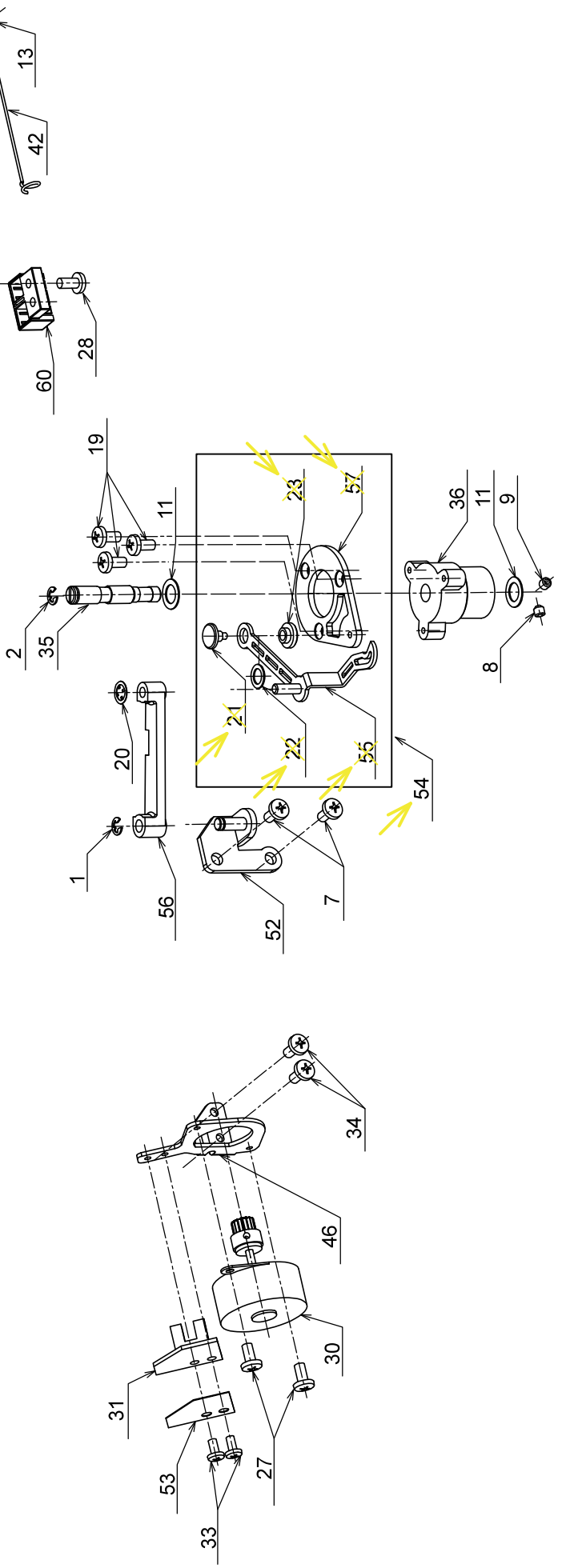
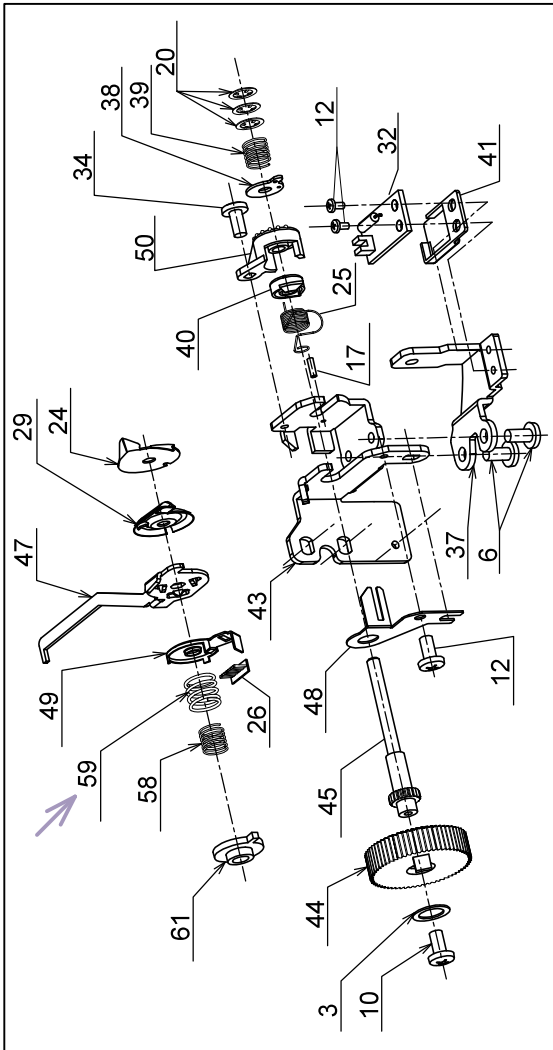
Rating plate Serial H14198*** or Lower**

1	270 001504	E7 CLIP-ON-WASHER
2	270 001520	E3 CLIP-ON-WASHER
3	270 010963	E6 CLIP-ON-WASHER
4	270 063501	WASHER
5	270 061222	M4 PHILIPS SCREW
6	270 064179	SPRING PIN
7	270 064653	M3 SCREW
8		
9		
10	270 067447	M5 SCREW
11	270 072367	M4 CP SCREW
12	416777201	CP BOLT
13	270 073434	M4 PHILIPS SCREW
14	270 076141	BALL METAL
15	68013616	LOWER SHAFT GUIDE
16	270 077041	UNITY FASTENER
17	270 077042	M4 PHILLIPS SCREW
18	270 077056	WASHER
19	270 085138	TENSION ROLLER
20	270 085247	SECURING PLATE
21	270 085318	FERRITE RING
22	416486301	MAIN MOTOR ASSY.
23	416434001	BEVEL GEAR
24	270 087170	BALL METAL
25	270 087226	VERTICAL FEED BLOCK
26	416821901	CP BOLT
27	270 087433	TORSION SPRING
28	270 088115	LIFTING CAM
29	416434101	LOWER SHAFT
30		REPLACED BY COMPLETE 68014698
31	416774701	VERTICAL SHAFT
32	416774801	SHAFT SUPPORT
33	416434301	TENSION ROLLER SUPPORT
34	416774901	DROP LEVER GUIDE
35	416775001	MAIN MOTOR SUPPORT
36	416775101	M BRACKET
37	416434401	M CUSHION
38	416434501	MOTOR PULLEY
39	416434601	PIPE BUSH
40	416775201	CORD GUIDE
41	416775301	SECURING PLATE
42	416434701	LOWER SHAFT BELT PULLEY
43	416775401	C8 CLIP-ON-WASHER
44	416534301	COLLAR SET

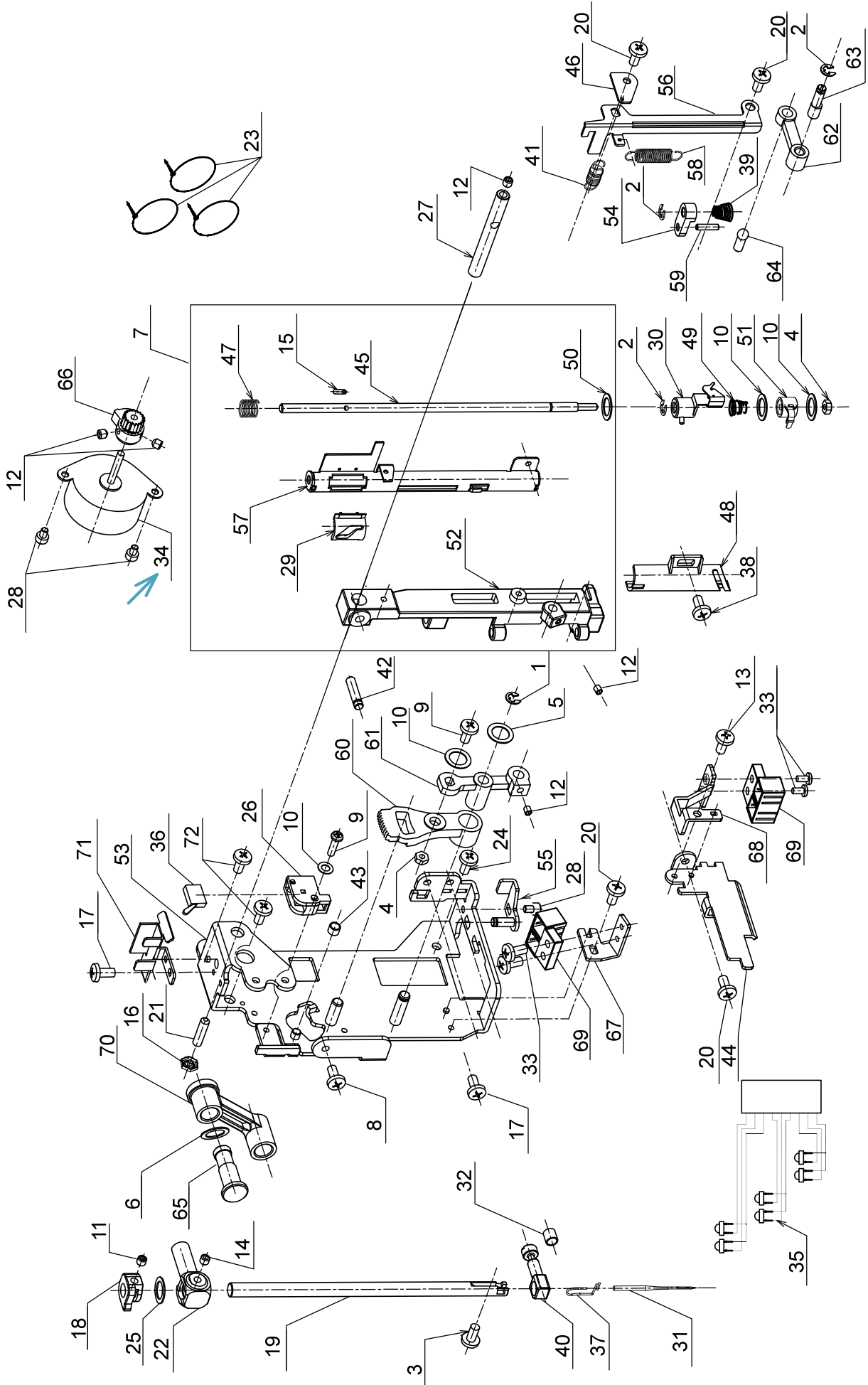


Rating plate Serial H14199*** or Higher**

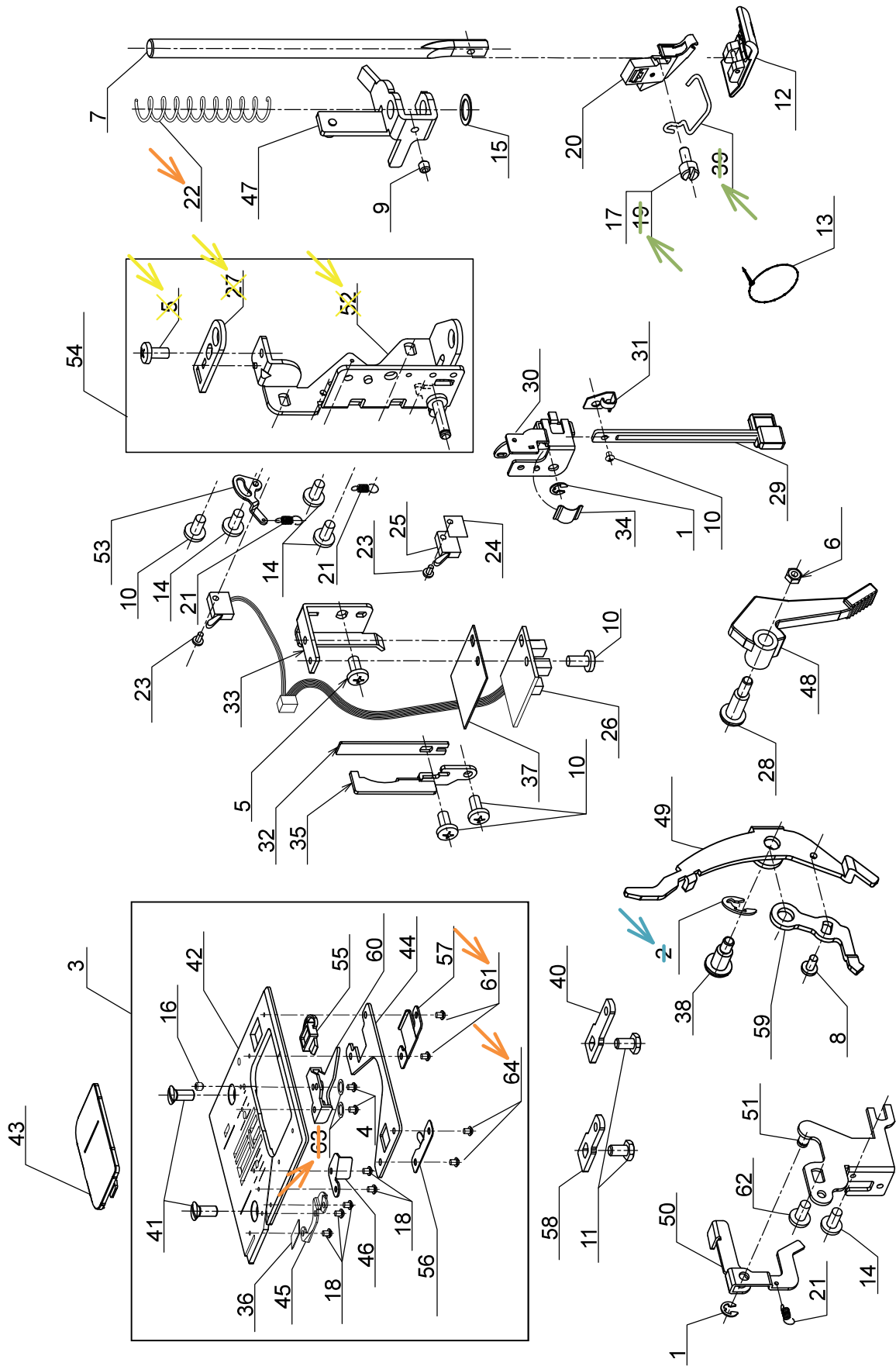
1	270 001504	E7 CLIP-ON-WASHER
2	270 001520	E3 CLIP-ON-WASHER
3	270 010963	E6 CLIP-ON-WASHER
4	270 063501	THRUST WASHER
5	270 061222	M4 PHILIPS SCREW
6	270 064179	SPRING PIN
7	270 064653	M3 SCREW
8		
9		
10	270 067447	M5 SCREW
11	270 072367	M4 CP SCREW
12	416777201	CP BOLT
13	270 073434	M4 PHILIPS SCREW
14	270 076141	BALL METAL
15	68013616	LOWER SHAFT GUIDE
16	270 077041	UNITY FASTENER
17	270 077042	M4 PHILLIPS SCREW
18	270 077056	WASHER
19	270 085138	TENSION ROLLER
20	270 085247	SECURING PLATE
21	270 085318	FERRITE RING
22	416486301	MAIN MOTOR ASSY.
23	416434001	BEVEL GEAR
24	270 087170	BALL METAL
25	270 087226	VERTICAL FEED BLOCK
26	416821901	CP BOLT
27	270 087433	TORSION SPRING
28	270 088115	LIFTING CAM
29	416434101	LOWER SHAFT
30	270 087228	FEED CAM
31	416774701	VERTICAL SHAFT
32	416774801	SHAFT SUPPORT
33	416434301	TENSION ROLLER SUPPORT
34	416774901	DROP LEVER GUIDE
35	416775001	MAIN MOTOR SUPPORT
36	416775101	M BRACKET
37	416434401	M CUSHION
38	416434501	MOTOR PULLEY
39	416434601	PIPE BUSH
40	416775201	CORD GUIDE
41	416775301	SECURING PLATE
42	416434701	LOWER SHAFT BELT PULLEY
43	416775401	CLIP-ON-WASHER
44	416534301	COLLAR SET



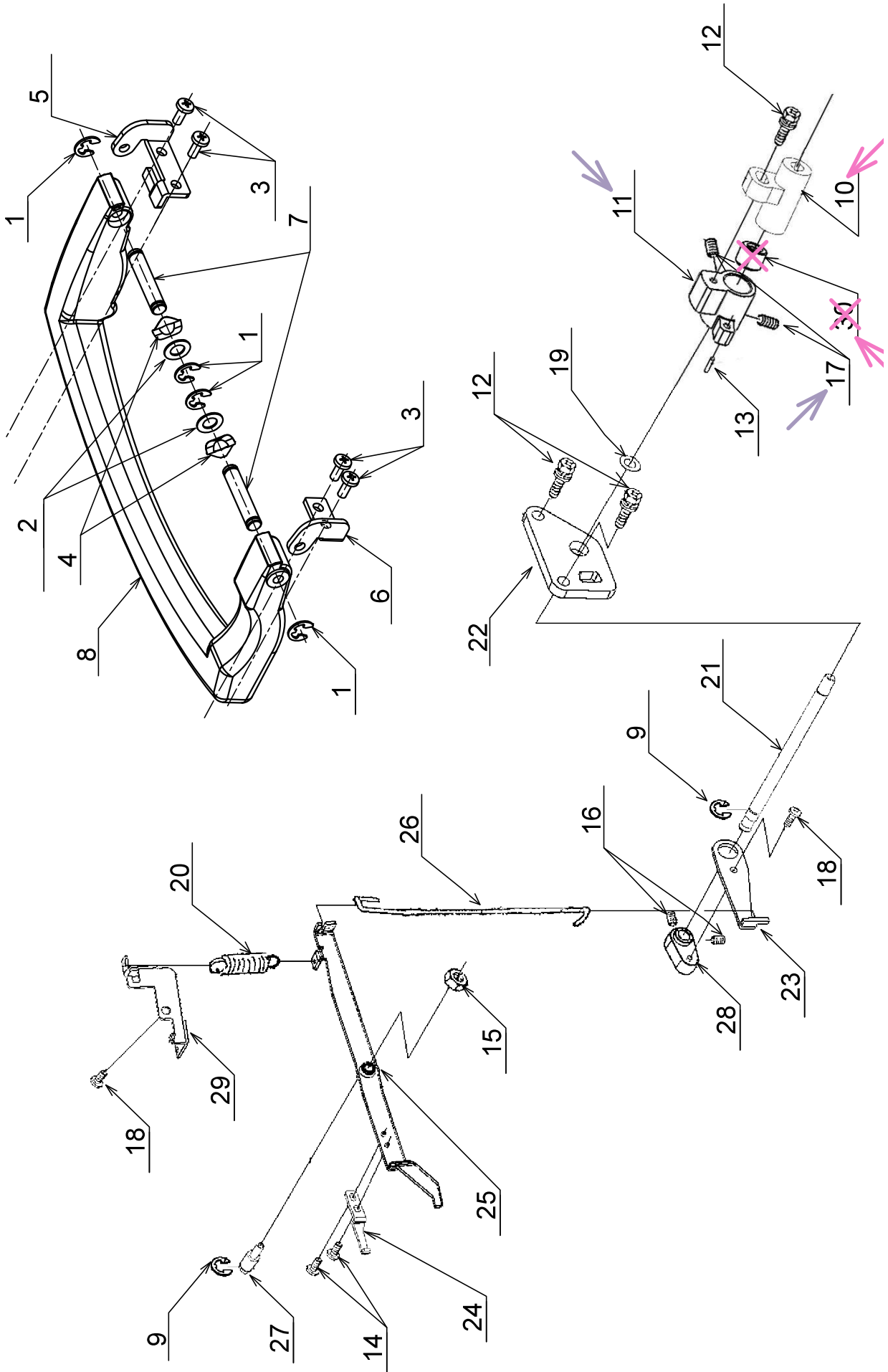
Pos	Part No	Description
1	270 001513	E4 CLIP-ON-WASHER
2	270 008400	E5 CLIP-ON-WASHER
3	270 031246	WASHER
4	416434801	TENSION SET
5	416434901	THREAD GUIDE SET
6	270 061222	M4 PHILIPS SCREW
7	270 061224	M4 PHILIPS SCREW
8	270 062307	M4 SCREW
9	270 066052	M4 SCREW
10	415404701	M3 PHILIPS SCREW
11	416558001	WASHER
12	270 080110	M3 PHILIPS SCREW
13	270 077042	M4 PHILLIPS SCREW
14	68013615	THREAD GUIDE
15	68013617	BRUSH
16	68013618	BRUSH
17	68013619	PIN
18	68013620	THREAD GUIDE PLATE
19	416435101	TAPPING SCREW
20	270 077507	CLIP-ON-WASHER
21		
22		
23		
24	416775501	TENSION DISC (R)
25	68013621	SPRING
26	416775601	BRUSH
27	270 080110	BOLT
28	270 085263	M3 SCREW
29	416775701	TENSION DISC (L)
30	416435401	MOTOR
31	416435501	HARNESS
32	416435301	NEDDLE THEARD SENSOR HARNESS
33	270 086376	M3 SCREW
34	270 087256	M3 PHILIPS SCREW
35	416435601	STUD SCREW
36	416435701	GEAR
37	68013622	BRACKET
38	68013623	ADJUST PLATE
39	68013624	COMPRESSION SPRING
40	68013626	CHECK SPRING
41	68013627	INSULATION BOX
42	416435801	GUIDE
43	68013628	TENSION SUPPORT
44	68013629	TENSION GEAR
45	68013630	TENSION SHAFT
46	416775801	TENSION MOTOR BRACKET
47	68013631	TENSION RELEASE PLATE
48	68013632	TENSION SHAFT PLATE
49	68013550	SPRING SUPPORT
50	68013582	CHECK SPRING
51	416775901	THREAD GUIDE PLATE SUPPORT
52	416558401	TAKE-UP LEVER SUPPORT
53	416776001	INSULATION SHEET
54	68013684	TAKE-UP LEVER UNIT
55		
56	416435901	TAKE-UP LEVER ARM
57		
58	68013593	COMPRESSION SPRING (SMALL)
59	68013594	COMPRESSION SPRING (LARGE)
60	416436001	LED LIGHT CASE
61	68013595	TENSION ADJUSTING PLATE



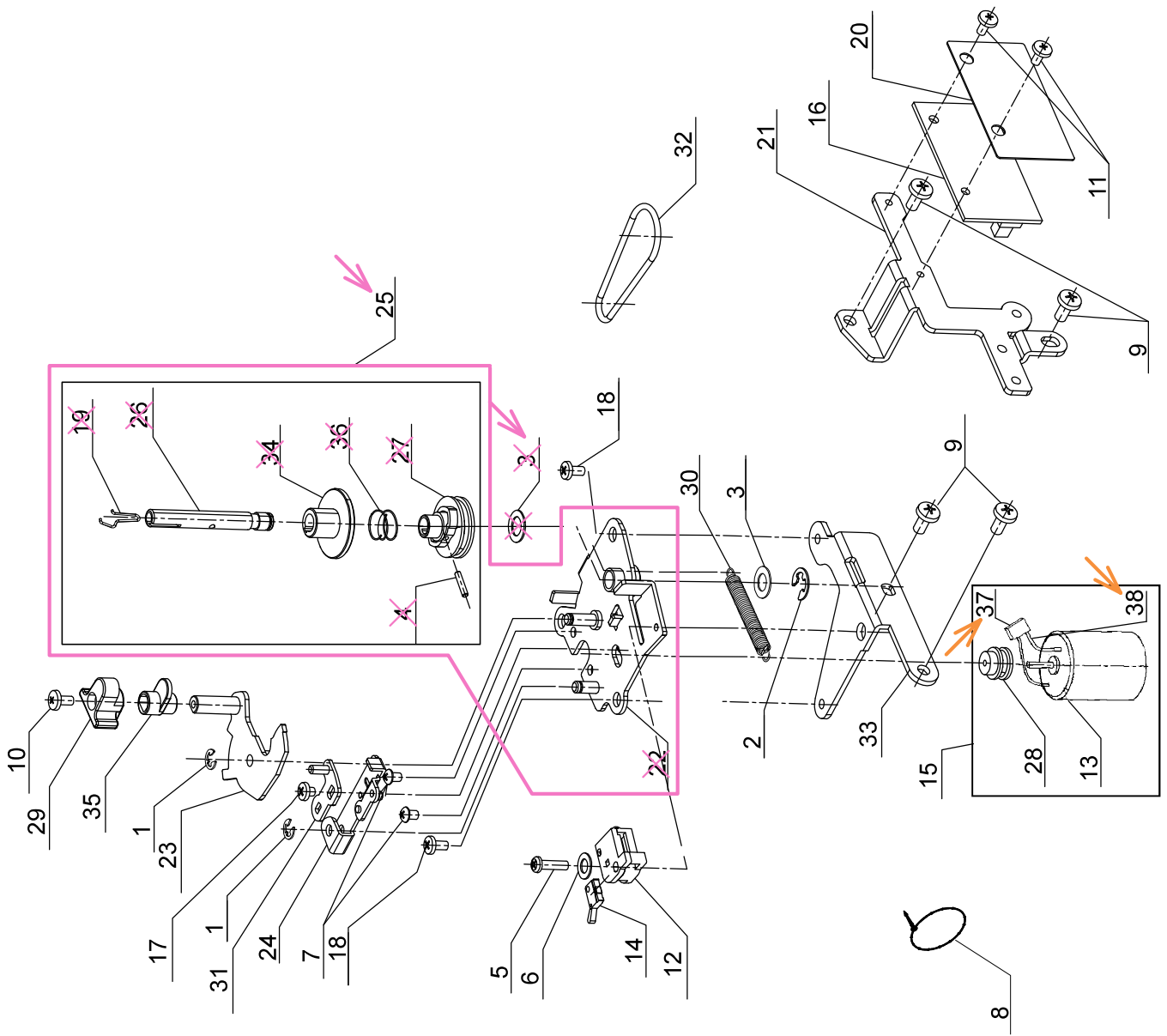
Pos	Part No	Description
1	270 001513	E4 CLIP-ON-WASHER
2	270 001520	E3 CLIP-ON-WASHER
3	270 026934	#8 SCREW
4	270 031733	M3 NUT
5	270 032949	WASHER
6	270 043390	THRUST WASHER
7	416437801	NEEDLE BAR SUPPORT SET
8	270 061222	M4 PHILIPS SCREW
9	270 063796	M3 SCREW
10	270 063805	WASHER
11	270 064359	M4 SCREW
12	270 064653	M3 SCREW
13	415404701	M3 PHILIPS SCREW
14	270 066725	M4 SCREW
15	270 068343	PIN
16	270 073299	M4 TORQUE NUT
17	270 073900	M3 PHILIPS SCREW
18	270 075024	STOPPER
19	270 076183	NEEDLE BAR
20	270 080110	M3 PHILIPS SCREW
21	270 076324	M4 SCREW
22	270 077037	NEEDLE BAR CLAMP
23	270 077041	UNITY FASTENER
24	270 077042	M4 PHILLIPS SCREW
25	270 077043	FELT
26	270 077527	SENSOR COVER
27	270 080095	STRAIGHT PIN
28	270 080110	BOLT
29	416503401	THREAD GUIDE C
30	270 080297	TWIN THREADING HOOK SET
31		NEEDLE
32	416437901	TUBE
33	270 085263	M3 SCREW
34	68013836	STEPPING MOTOR
35	416438101	LED LAMP HARNESS
36	416438201	STEPPING MOTOR HARNESS (ZIG ZAG)
37	270 086046	THREAD GUIDE
38	270 087256	M3 SCREW
39	270 086999	SPRING
40	270 087154	NEEDLE CLAMP SET
41	270 087188	SPRING
42	270 087207	STRAIGHT PIN
43	270 087273	PIN
44	270 088317	THREAD GUIDE PLATE
45	416504001	THREADER SHAFT
46	416558901	SECURING PLATE
47	416438301	COMPRESSION SPRING
48	416438401	THREAD GUIDE B
49	270 088432	SPRING
50	270 088433	WASHER
51	416438501	THREAD GUIDE ASSY
52	416822001	NEEDLE BAR SUPPORT
53	416776101	SUPPORT BRACKET
54	416438601	SUPPORT BRACKET
55	416438701	SUPPORT BRACKET
56	416776201	THEARDER GUIDE PLATE
57	68013863	THREADER GUIDE A
58	416438801	THREADER SPRING
59	416439101	PIN
60	416438901	ZZ GEAR
61	416439001	ZZ GEAR LEVER
62	416439201	ZZ LINK
63	416439301	ECCENTRIC PIN
64	416439401	ROUND SHAFT
65	416439601	HEADED PIN
66	416439501	PINION
67	416776301	LED SUPPORT (LEFT)
68	416776401	LED SUPPORT (RIGHT)
69	416436001	LED LIGHT CASE
70	416439701	NEEDLE BAR CRANK
71	416776501	THREAD GUIDE
72	416439801	SCREW



Pos	Part No	Description
1	270 001520	E3 CLIP-ON-WASHER
2		
3	416440001	NEEDLE PLATE SET
4	270 056858	M2 PHILIPS SCREW
5	270 061221	M4 PHILIPS SCREW
6	270 062215	M4 NUT
7	270 063278	PRESSER BAR
8	415404701	M3 PHILIPS SCREW
9	270 066727	M4 SCREW
10	270 073900	M3 PHILIPS SCREW
11	416776601	M4 BOLT
12	270 076251	PRESSER FOOT
13	270 077041	UNITY FASTENER
14	270 077042	M4 PHILLIPS SCREW
15	270 077043	FELT
16	270 079491	SCREW
17	270 080065	#7 SCREW FOR SHANK
18	270 080096	M2 PHILIPS SCREW
19		
20	270 085016	PRESSER FOOT HOLDER
21	270 085064	EXTENSION SPRING
22	416462601	COMPRESSION SPRING
23	270 085262	M2 SCREW
24	270 085332	SPACER
25	416665801	PRESSER FOOT POSITIONNING HARNESS
26	416440101	BUTTON HOLE STITCH SENSOR HARNESS
27		
28	270 087212	M4 SCREW
29	68013596	BH PLATE (A)
30	270 087679	BH PLATE (B)
31	270 087680	BH PLATE (C)
32	270 087692	BH CANTILEVER
33	270 087693	BH PALTE
34	270 087694	LEAF SPRING
35	270 087695	BH CANTILEVER SUPPORT
36	270 087766	BLADE
37	270 088112	INSULATION SHEET
38	416440401	STUD SCREW
39		
40	416440501	NEEDLE PLATE BRACKET
41	416440701	M4 SCREW
42	68013597	NEEDLE PLATE
43	416440801	BOBBIN COVER PLATE
44	68013600	NEEDLE PLATE GUIDE
45	68013601	THREAD CUTTER SECURING PLATE
46	68013603	THREAD CONTROL PLATE
47	416776801	PRESSER BAR GUIDE
48	416440901	PRESSER FOOT LIFTER
49	416506201	TENSION RELEASE LEVER
50	416776901	THREAD REGULATOR RELEASE LEVER
51	416506301	THREAD REGULATOR RELEASE LEVER BASE
52		
53	416440301	SWITCH DOG ADJUSTMENT PLATE
54	416505501	PRESSER BAR GUIDE SET
55	68013606	RELEASE KNOB
56	68013607	RELEASE SPRING PLATE
57	68013609	BRACKET
58	416440601	NEEDLE PLATE BRACKET
59	416506401	PRESSER SWITCH DOG
60	68013610	THREAD CONTROL PLATE
61	68013612	M2 PHILIPS SCREW
62	416439801	SCREW
63		
64	68013868	SCREW



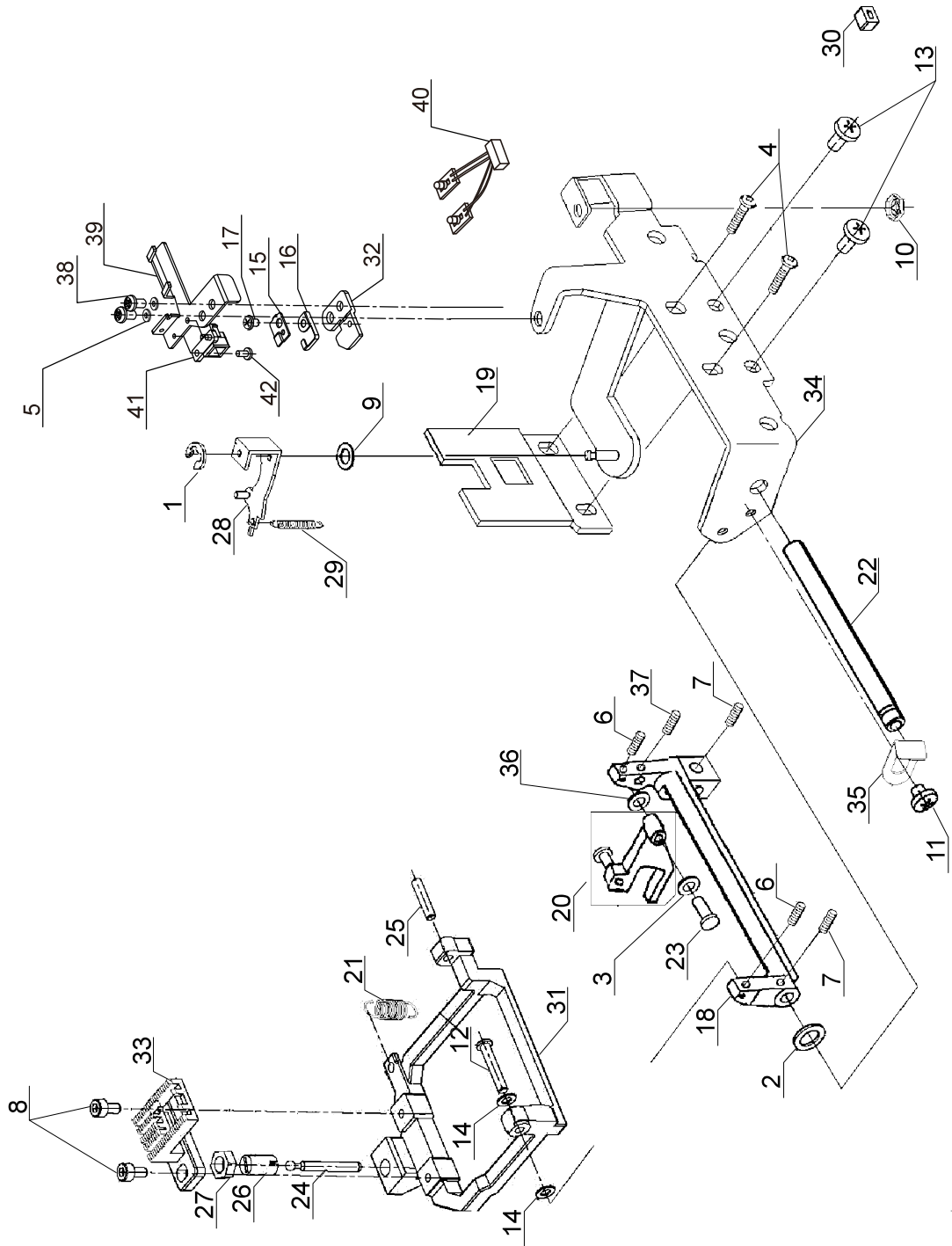
Pos	Part No	Description
1	270 001513	E4 CLIP-ON-WASHER
2	270 032949	WASHER
3	270 061224	M4 PHILIPS SCREW
4	270 061381	CRINKLE WASHER
5	416441101	HANDLE BRACKET
6	416441201	HANDLE BRACKET
7	416441301	PIN
8	416441401	HANDLE
9	270 010963	E6 CLIP-ON-WASHER
10	416777001	KNEE LIFTER D
11	68013647	KNEE LIFTER E
12	416777201	M4 CP SCREW
13	270 058269	KNOCK PIN
14	270 061222	M4 PHILIPS SCREW
15	270 062215	M4 NUT
16	270 062307	M4 SCREW
17	270 066052	M5 SCREW
18	270 077042	M4 PHILLIPS SCREW
19	270 077056	WASHER
20	416777301	KNEE LIFTER SPRING
21	416777401	KNEE LIFTER SHAFT
22	416777501	KNEE LIFTER PLATE
23	416777601	KNEE LIFTER ARM
24	416777701	LIFTER CAM
25	416777801	KNEE LIFTER LEVER
26	416777901	KNEE LIFTER ROD
27	416778001	M4 STUD SCREW
28	416778101	KNEE LIFTER ARM BUSH
29	416778201	SPRING HOOK PLATE
30		



Pos	Part No	Description
1	270 001520	E3 CLIP-ON-WASHER
2	270 008400	E5 CLIP-ON-WASHER
3	270 032316	WASHER
4		
5	270 063796	M3 SCREW
6	270 063805	WASHER
7	270 073900	M3 PHILIPS SCREW
8	270 077041	UNITY FASTENER
9	270 077042	M4 PHILLIPS SCREW
10	270 077044	M3 PHILIPS SCREW
11	270 077053	M3 PHILIPS SCREW
12	270 077527	SENSOR COVER
13	416441501	MOTOR FOR BOBBIN WINDER
14	416441601	BOBBIN WINDER SWITCH HARNESS
15	416778301	MOTOR FOR BOBBIN WINDER UNIT
16	416441701	CAM SENSOR HARNESS
17	270 086376	M3 SCREW
18	270 087000	M4 SCREW
19		
20	270 087242	INSULATION SHEET
21	416778401	CAM SENSOR FIXING PLATE
22		
23	416778601	BOBBIN WINDER ARM
24	416778701	BOBBIN WINDER SWITCH
25	416634401	BOBBIN WINDER SHAFT UNIT
26		
27		
28	416442101	BOBBIN WINDER MOTOR PULLEY
29	416442201	BOBBIN WINDER CAM
30	416442301	BOBBIN WINDER EXTENSION SPRING
31	416778801	BOBBIN WINDER FOLLOWER
32	416442401	ROUND BELT
33	416778901	BOBBIN WINDING UNIT SUPPORT
34		
35	416442601	BOBBIN WINDING SWITCH LIMITER B
36		
37	68013657	CONNECTOR
38	68013658	TUBE

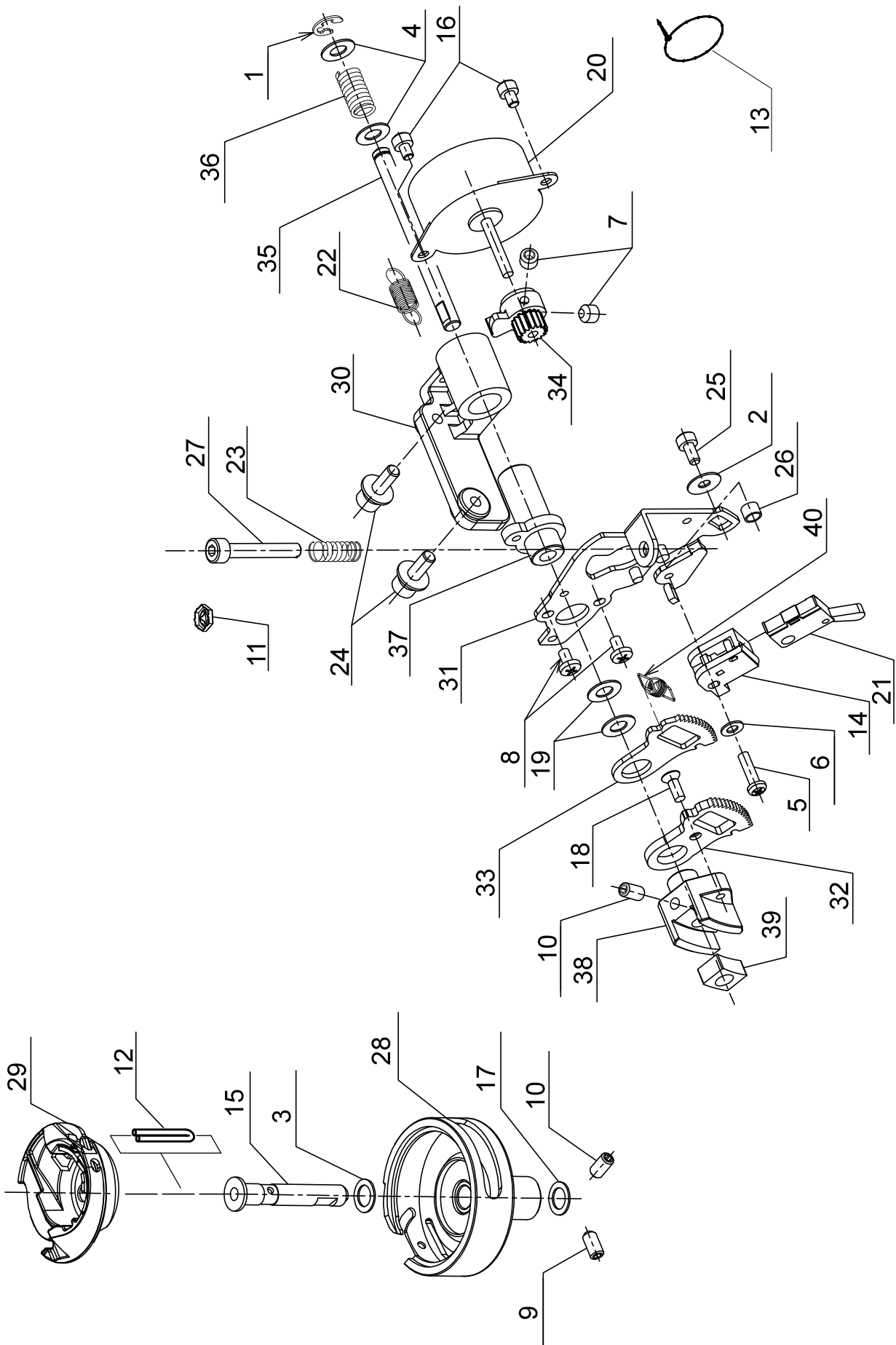
Rating plate Serial H14198*** or Lower**

1	270 001520	E3 CLIP-ON-WASHER
2		REPLACED BY COMPLETE 68014698
3	416442801	M3 SCREW
4	270 063805	WASHER
5		REPLACED BY COMPLETE 68014698
6	270 066005	M2 PHILIPS SCREW
7		REPLACED BY COMPLETE 68014698
8		REPLACED BY COMPLETE 68014698
9		REPLACED BY COMPLETE 68014698
10	270 077042	M4 PHILLIPS SCREW
11		REPLACED BY COMPLETE 68014698
12	416442901	SENSOR HARNESS
13	416443101	NEEDLE BAR THREAD GUIDE
14	416443201	RETAINER PLATE
15	416443301	RETAINER SET
16		REPLACED BY COMPLETE 68014698
17		REPLACED BY COMPLETE 68014698
18		REPLACED BY COMPLETE 68014698
19		REPLACED BY COMPLETE 68014698
20		REPLACED BY COMPLETE 68014698
21		REPLACED BY COMPLETE 68014698
22		REPLACED BY COMPLETE 68014698
23	270 087269	WASHER
24		REPLACED BY COMPLETE 68014698
25		REPLACED BY COMPLETE 68014698
26	270 087425	DROP KNOB
27		REPLACED BY COMPLETE 68014698
28		REPLACED BY COMPLETE 68014698
29		REPLACED BY COMPLETE 68014698
30		REPLACED BY COMPLETE 68014698
31		REPLACED BY COMPLETE 68014698
32		REPLACED BY COMPLETE 68014698
33	416443801	FLOOD LIGHT HOLDER
34		REPLACED BY COMPLETE 68014698
35	416444001	SENSOR ATTACHMENT PLATE
36	416444101	RETAINER
37		REPLACED BY COMPLETE 68014698



Rating plate Serial H14199*** or Higher**

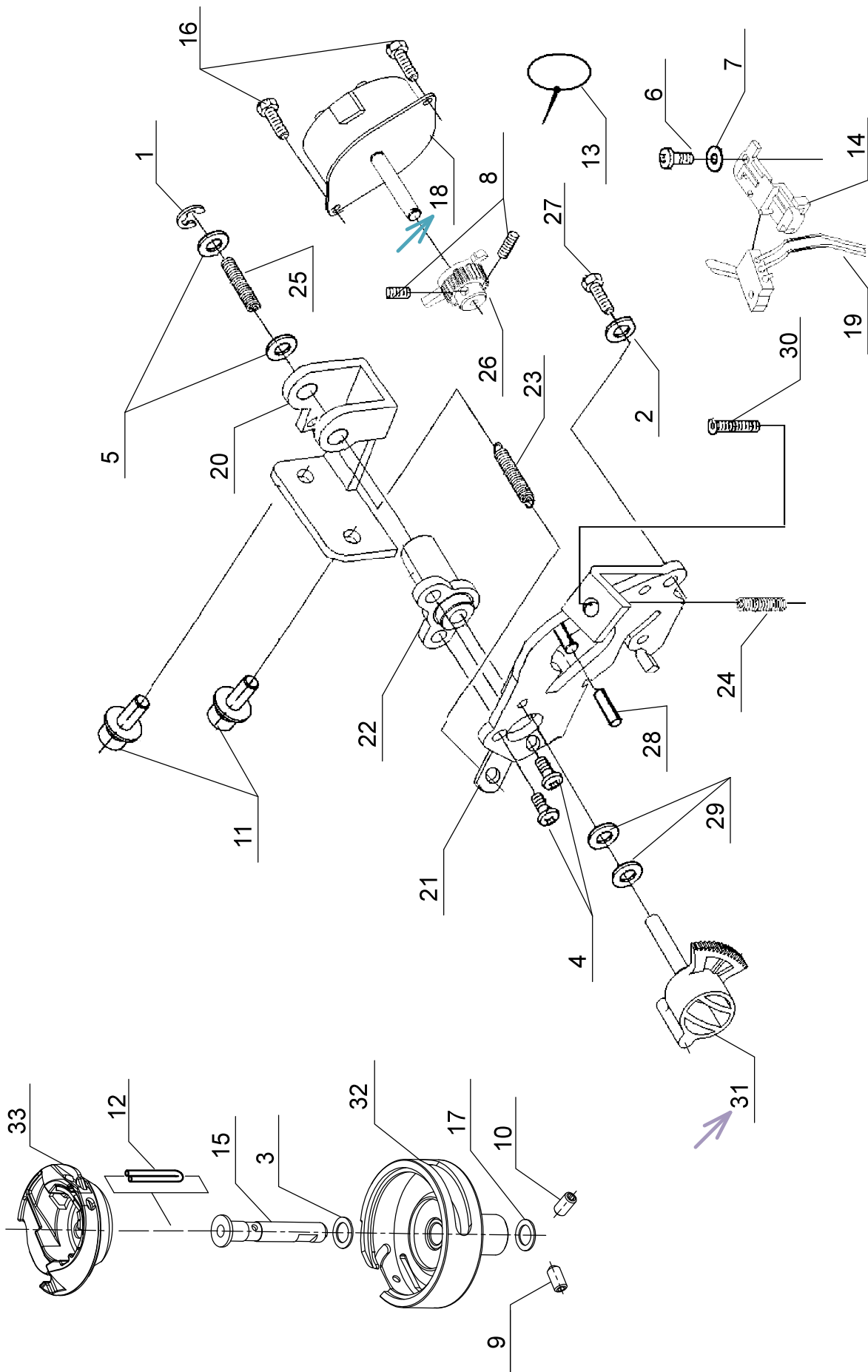
1	270 001520	E3 CLIP-ON-WASHER
2	270 032949	WASHER
3	270 053735	WASHER
4	270 061221	M4 PHILIPS SCREW
5	270 063805	WASHER
6	270 064653	M3 SCREW
7	270 066725	M4 SCREW
8	270 072274	M3 CP SCREW
9	270 072858	WASHER
10	270 073299	M4 TORQUE NUT
11	270 087000	M3 PHILIPS SCREW
12	270 076132	SHAFT
13	270 077042	M4 PHILLIPS SCREW
14	270 085252	WASHER
15	416443101	NEEDLE BAR THREAD GUIDE
16	416443201	RETAINER PLATE
17	416443301	RETAINER SET
18	270 087104	FEED DOG BASE SUPPORT
19	270 087122	SUPPORT PLATE
20	270 087174	FORKED CRANK
21	270 087186	TORSION SPRING
22	270 087202	SHAFT
23	270 087206	PIN
24	270 087208	BALL HEADED PIN
25	270 087210	PIN
26	270 087232	M6 STUD SCREW
27	270 087268	M6 NUT
28	270 087423	DROP LEVER
29	270 087424	TORSION SPRING
30	270 087425	DROP KNOB
31	416443901	FEED DOG BASE
32	416444101	RETAINER
33	416822201	FEED FOG
34	68013666	FEED SECURING PLATE
35	68013667	FEED SHAFT ARPPORT PLATE
36	270 035818	WASHER
37	270 061333	M4 SCREW
38	416442801	M3 SCREW
39	416444001	SENSOR ATTACHMENT PLATE
40	416442901	SENSOR HARNESS
41	416443801	FLOOD LIGHT HOLDER
42	270 066005	M2 PHILIPS SCREW



Rating plate Serial H14198*** or Lower**

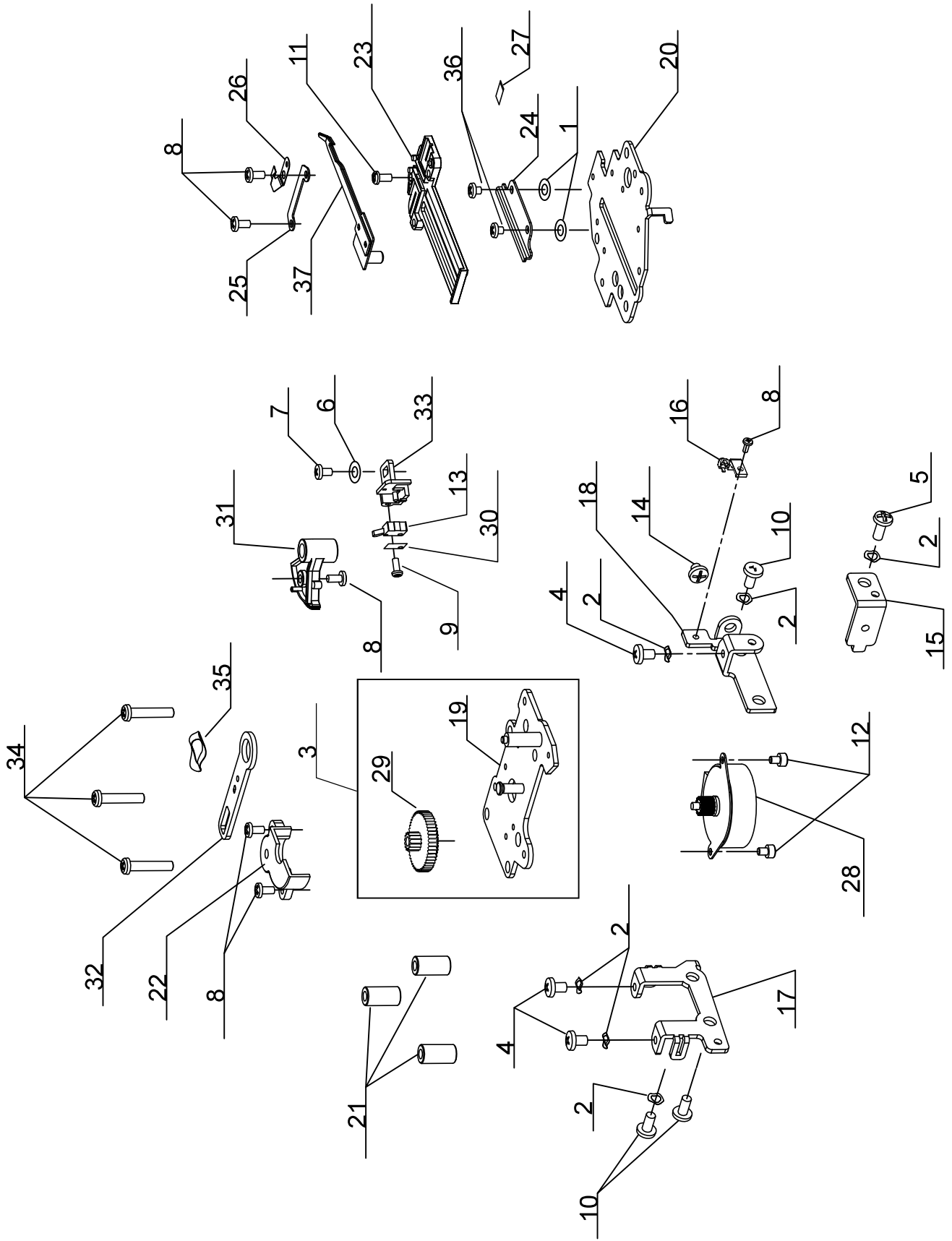
1	270 001513	E4 CLIP-ON-WASHER
2		REPLACED BY COMPLETE 68014698
3	270 043392	THRUST WASHER
4		REPLACED BY COMPLETE 68014698
5		REPLACED BY COMPLETE 68014698
6		REPLACED BY COMPLETE 68014698
7		REPLACED BY COMPLETE 68014698
8	416442801	M3 SCREW
9	270 066725	M4 SCREW
10		REPLACED BY COMPLETE 68014698
11	270 073299	M4 TORQUE NUT
12	270 076203	OILING CORD
13	270 077041	UNITY FASTENER
14		REPLACED BY COMPLETE 68014698
15	270 080078	SHUTTLE RACE SHAFT
16		REPLACED BY COMPLETE 68014698
17	416514601	WASHER
18		REPLACED BY COMPLETE 68014698
19	270 085162	WASHER
20		REPLACED BY COMPLETE 68014698
21		REPLACED BY COMPLETE 68014698
22		REPLACED BY COMPLETE 68014698
23	270 087189	COMPRESSION SPRING
24	416821901	CP BOLT
25		REPLACED BY COMPLETE 68014698
26		REPLACED BY COMPLETE 68014698
27	270 087668	M4 BOLT
28	416444301	SHUTTLE RACE UNIT
29	416444401	BOBBIN CASE UNIT
30		REPLACED BY COMPLETE 68014698
31		REPLACED BY COMPLETE 68014698
32		REPLACED BY COMPLETE 68014698
33		REPLACED BY COMPLETE 68014698
34		REPLACED BY COMPLETE 68014698
35		REPLACED BY COMPLETE 68014698
36		REPLACED BY COMPLETE 68014698
37		REPLACED BY COMPLETE 68014698
38		REPLACED BY COMPLETE 68014698
39		REPLACED BY COMPLETE 68014698
40		REPLACED BY COMPLETE 68014698

Rating plate Serial H14199***** or Higher

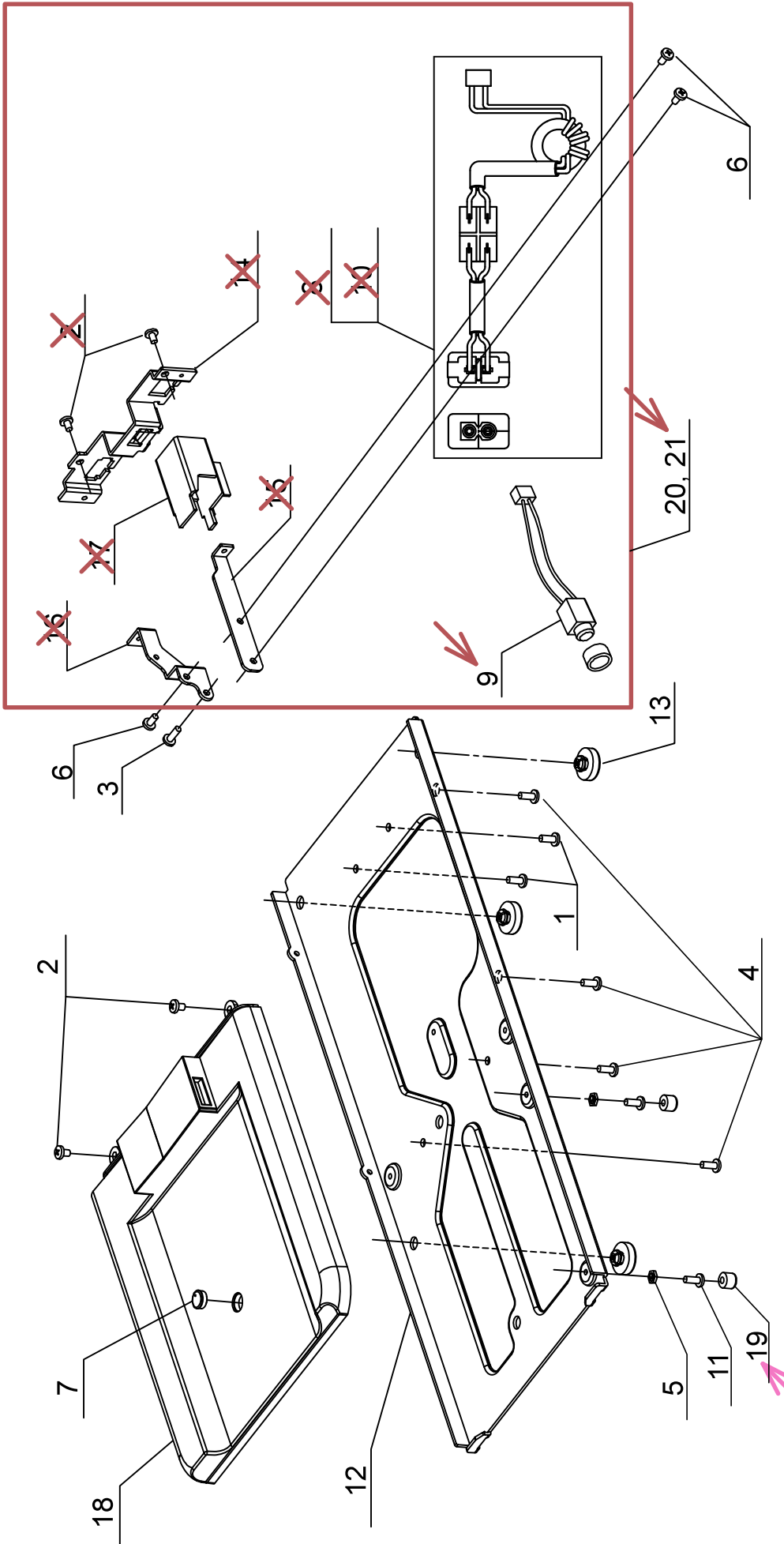


Rating plate Serial H14199*** or Higher**

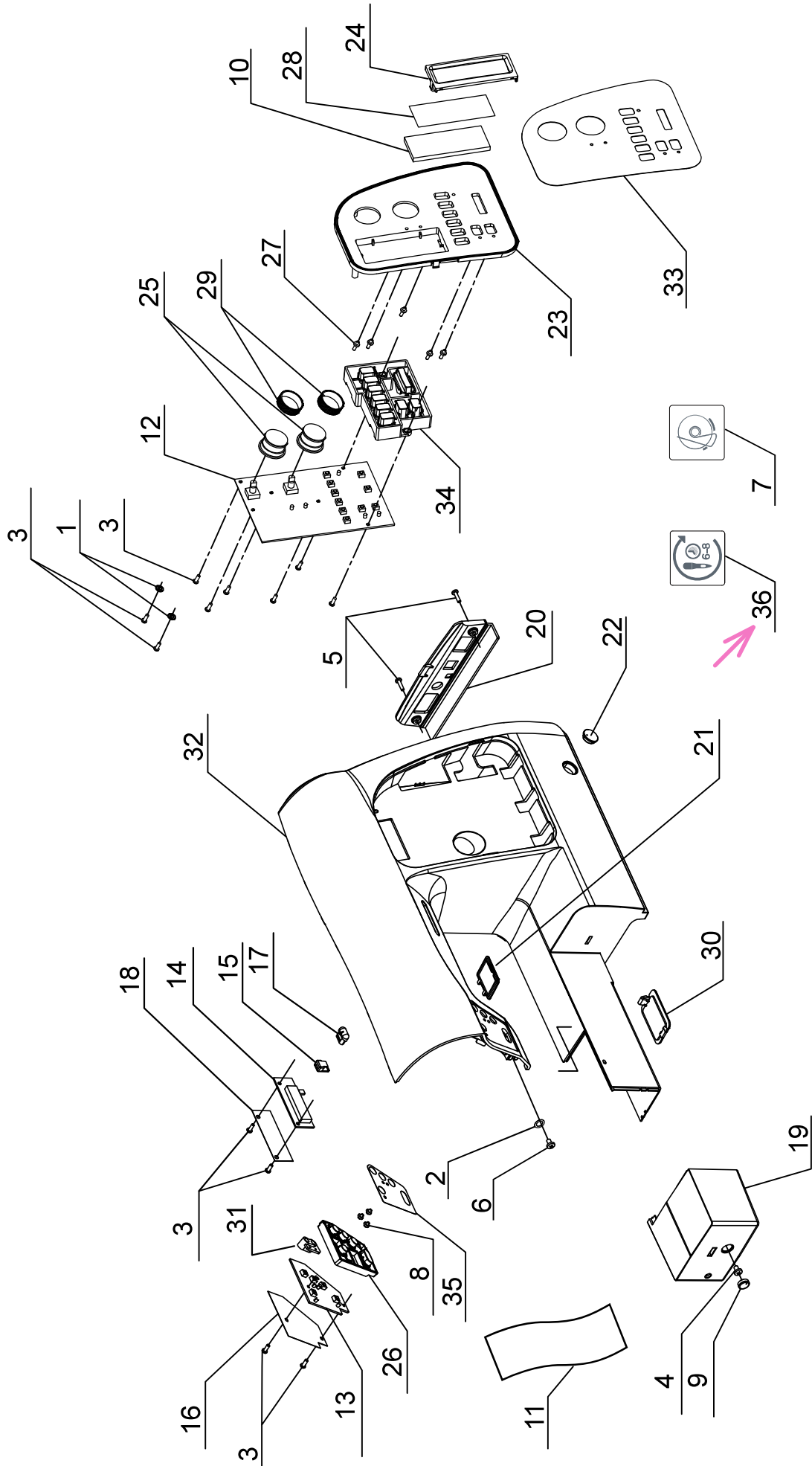
1	270 001513	E4 CLIP-ON-WASHER
2	270 031246	WASHER
3	270 043392	THRUST WASHER
4	416442801	THRUST WASHER
5	270 059221	WASHER
6	270 063796	M3 SCREW
7	270 063805	WASHER
8	270 064653	M3 SCREW
9	270 066725	M4 SCREW
10	270 066727	M4 SCREW
11	416821901	SCREW
12	270 076203	OILING CORD
13	270 077041	UNITY FASTENER
14	270 077527	SENSOR COVER
15	270 080078	SHUTTLE RACE SHAFT
16	270 080110	M3 CP SCREW
17	416514601	WASHER
18	68013836	STEPPING MOTOR
19	416444201	STEPPING MOTOR HARNESS (FEEDING)
20	270 087146	BRACKET
21	270 087148	STEPPING MOTOR BRACKET
22	270 087178	FEED REGULATOR SHAFT METAL BUSH
23	270 087188	EXTENSION SPRING
24	270 087189	COMPRESSION SPRING
25	270 087191	COMPRESSION SPRING
26	270 087253	PINION GEAR
27	270 087262	M3 CP SCREW
28	270 087273	SPACER
29	270 087274	WASHER
30	270 087668	M4 BOLT
31	68013614	FEED REGULATOR
32	416444301	SHUTTLE RACE UNIT
33	416444401	BOBBIN CASE UNIT



<u>Pos</u>	<u>Part No</u>	<u>Description</u>
1	270 037515	WASHER
2	416445501	CRINKLE WASHER
3	416445601	THREAD CUTTER BASE SET
4	270 061222	M4 PHILIPS SCREW
5	270 063560	M4 PHILIPS SCREW
6	270 064360	WASHER
7	415404701	M3 PHILIPS SCREW
8	270 080110	M3 PHILIPS SCREW
9	416445701	TAPPING SCREW
10	270 077042	M4 PHILLIPS SCREW
11	270 077044	M3 PHILIPS SCREW
12	270 080110	BOLT
13	416445801	SENSOR HARNESS
14	270 087000	M4 SCREW
15	416779301	MOUNTING PLATE
16	416779401	SENSOR RECEIVER HOLDER
17	416446101	BLADE FIXTURE
18	416446201	THREAD CUTTER BASE B
19	68013643	THREAD CUTTER BASE C
20	416446301	THREAD CUTTER BASE D
21	416446401	PIPE BASE
22	416446501	GEAR COVER
23	416446601	THREAD CUTTER GUIDE PLATE
24	416446701	GUIDE PLATE
25	416446801	HOOK SECURING PLATE
26	416446901	THREAD CUTTER SPRING PLATE
27	416447001	BLADE
28	416447101	THREAD CUTTER STEPPING MOTOR
29	68013644	THREAD CUTTER GEAR
30	416447201	INSULATION SHEET
31	416447301	THREAD CUTTER LEVER GEAR
32	416447401	THREAD CUTTER DRIVING LEVER
33	416447501	BOBBIN THREAD CUTTER SWITCH BASE
34	416447601	M4 SCREW
35	416447701	CRINKLE WASHER
36		M3 SCREW
37	416447901	THREAD CUTTER HOOK UNIT

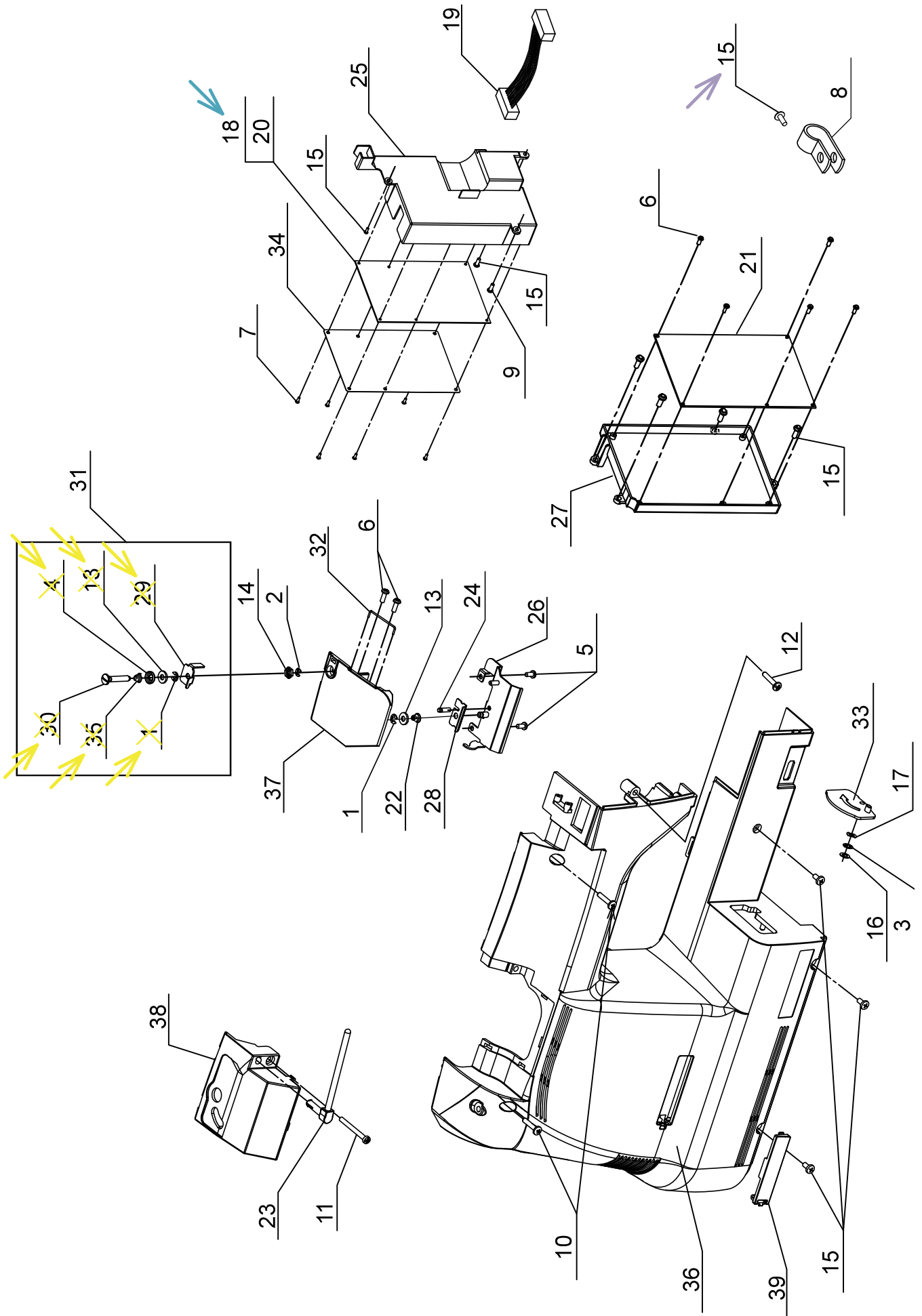


<u>Pos</u>	<u>Part No</u>	<u>Description</u>
1	416448001	M3.5 TAPPING SCREW
2	270 061222	M4 PHILIPS SCREW
3	270 061225	M4 PHILIPS SCREW
4	270 063560	M4 PHILIPS SCREW
5	270 073299	M4 TORQUE NUT
6	270 077042	M4 PHILLIPS SCREW
7	270 083116	CAP
8		
9	416448301	FC JACK HARNESS
10		
11	270 086038	STUD SCREW
12	416448501	BASE
13	416448601	RUBBER CUSHION
14		
15		
16		
17		
18	416448801	BOTTOM COVER
19	416509201	RUBBER FOOT
20	68013743	POWER SWITCH ASSY. (120V)
21	68013744	POWER SWITCH ASSY. (230V)

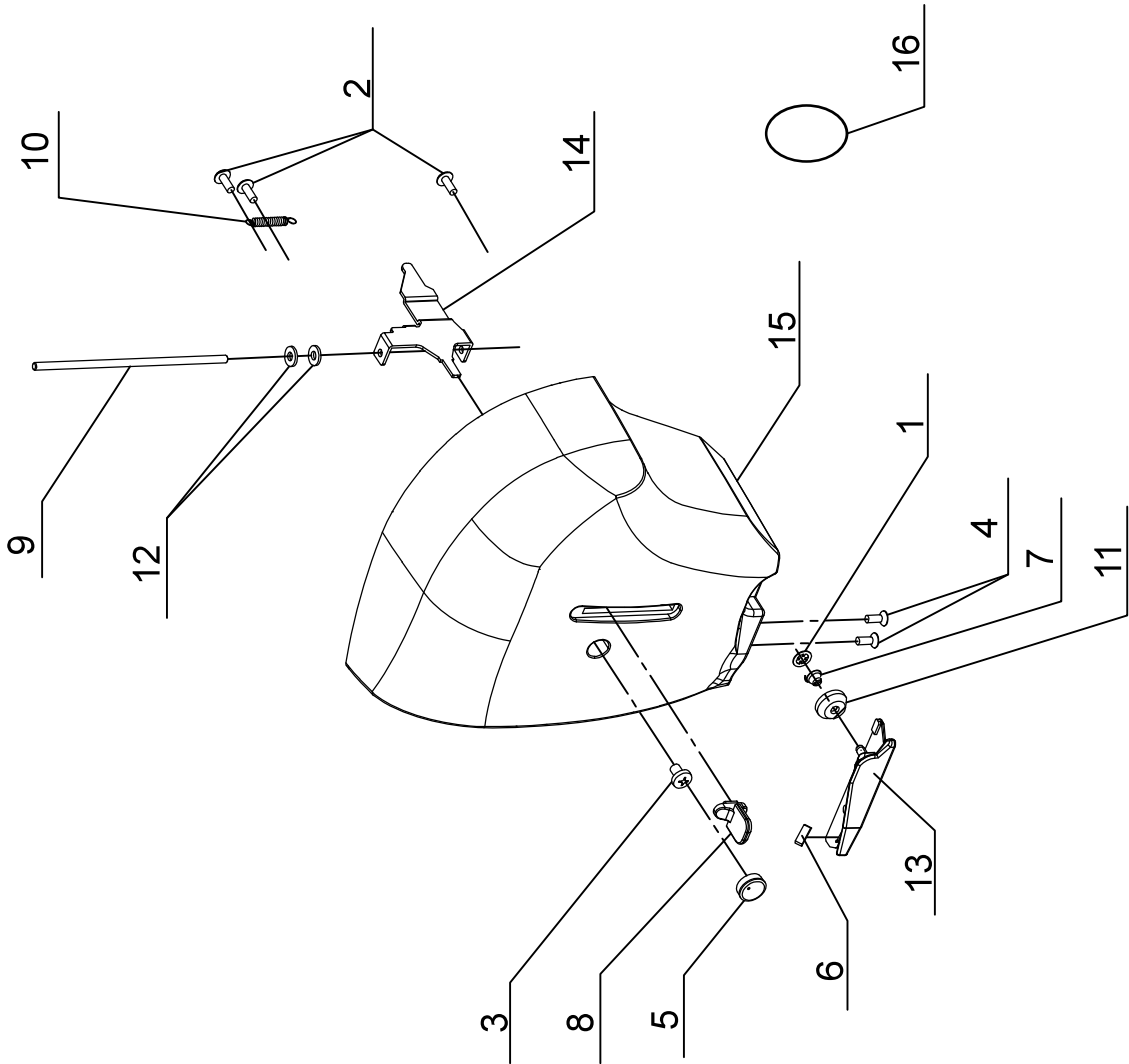


Pos	Part No	Description
1	270 025670	WASHER
2	270 031246	WASHER
3	270 039213	M3 SCREW
4	270 077042	M4 PHILLIPS SCREW
5	416449001	M3 PHILIPS SCREW
6	270 080110	M3 PHILIPS SCREW
7	270 076511	STICKER
8	270 083044	LED PANEL
9	270 083116	CAP
10	416449101	LCD
11	416449201	CONNECTOR CABLE
12	416449301	SWITCH CIRCUIT BOARD
13	416449401	SW HARNESS
14	416449501	SPEED CONTROL SWITCH HARNESS
15	416449601	SLIDE LEVER
16	416449701	INSULATION SHEET (SW HARNESS)
17	416449801	SPEED CONTROL KNOB
18	416447801	INSULATION SHEET (SV BOARD HARNESS)
19	416449901	BED CAP
20	68001967	TERMINAL COVER
21	416450101	LED LIGHT COVER
22	416450201	KNEE LIFTER CAP
23	416634301	CONTROL PANEL
24	416780201	LCD CASE
25	416450301	BUTTON
26	416780301	SWITCH PANEL BUTTON
27	416473201	LED LENS
28	416667101	LCD PROTECTION SHEET
29	416473301	RUBBER BAND
30	416457701	STEPPING MOTOR ADJUST COVER
31	416457801	LED SHADE PLATE
32	68001965	FRONT COVER
33	68001966	PANEL SHEET
34	416486901	SWITCH PANEL BUTTON
35	68001967	SWITCH PANEL SHEET
36	68019985	STICKER

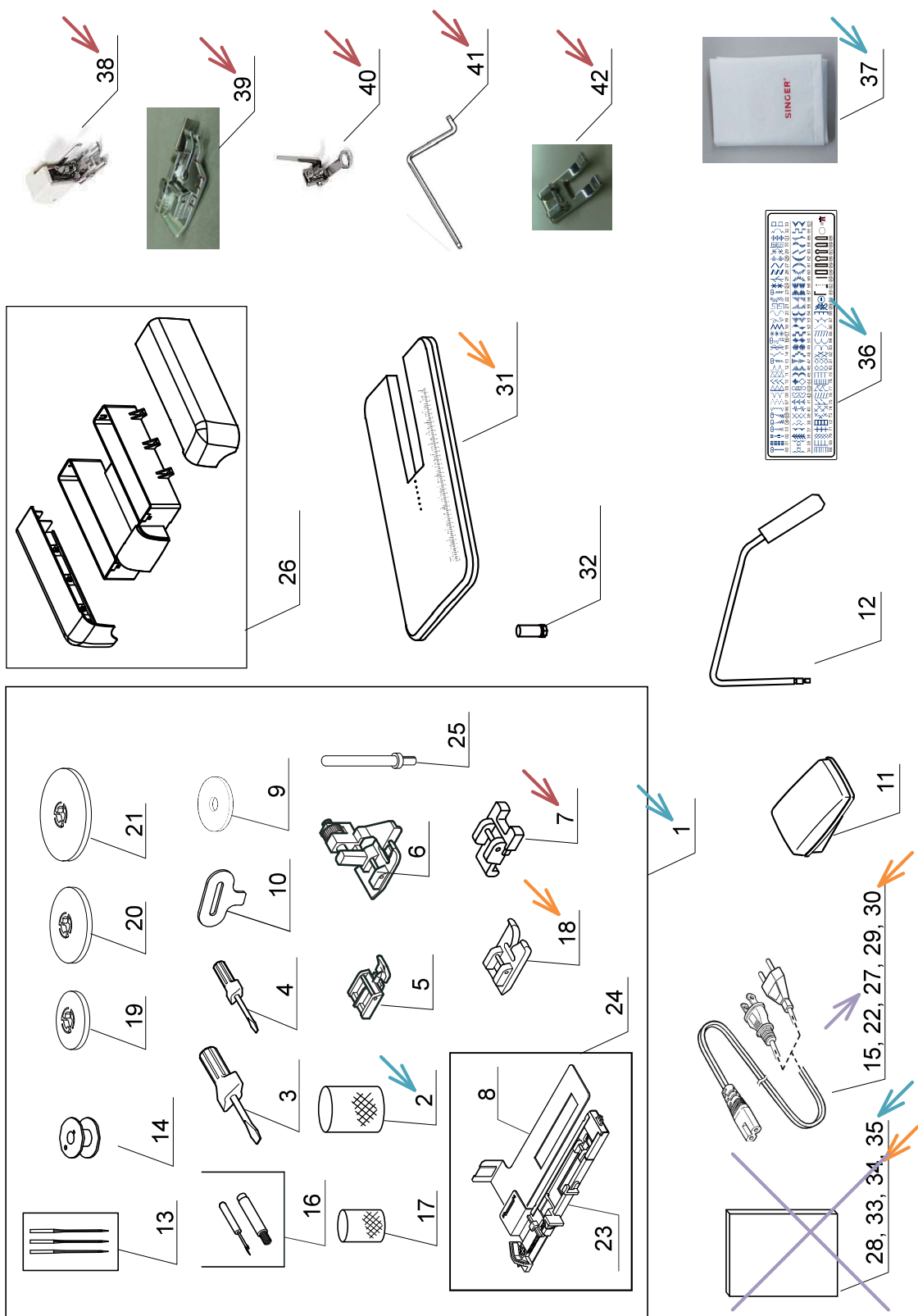
L



<u>Pos</u>	<u>Part No</u>	<u>Description</u>
1	270 001520	E3 CLIP-ON-WASHER
2	270 027925	E2.5 CLIP-ON-WASHER
3	270 053735	WASHER
4		
5	270 039163	TAPPING SCREW
6	270 039213	M3 SCREW
7	270 047181	TAPPING SCREW
8	270 058741	CORD GUARD
9	270 061225	M4 PHILIPS SCREW
10	270 064484	TAPPING SCREW
11	270 064957	TAPPING SCREW
12	270 065736	M4 PHILIPS SCREW
13	270 072858	WASHER
14	270 073299	M4 TORQUE NUT
15	270 077042	M4 PHILLIPS SCREW
16	270 077507	CLIP-ON-WASHER
17	416450601	CRINKLE WASHER
18	68008861	AC CIRCUIT BOARD (100-120V)
19	416451001	CONNECTOR CABLE
20	416450901	AC CIRCUIT BOARD (200-240V)
21	68001963	CPU CIRCUIT BOARD
22	270 086999	SPRING
23	416509901	SPOOL PIN UNIT
24	416451101	PIN
25	416780701	AC CIRCUIT BOARD BOX
26	416451201	THREAD GUIDE
27	416780801	CPU CIRCUIT BOARD BOX
28	416451301	THREAD REGULATING PLATE
29		
30		
31	416450501	THREAD GUIDE UNIT
32	416451401	THREAD GUIDE PIN
33	416451501	DRAWER CAP
34	416780901	INSULATION SHEET (AC CIRCUIT)
35		
36	416458701	BACK COVER
37	416487301	THREAD PATH CAP
38	416487401	BOBBIN WINDER COVER
39	416451901	SPOOL STAND ATTACHMENT COVER



<u>Pos</u>	<u>Part No</u>	<u>Description</u>
1	270 039615	CLIP-ON-WASHER
2	270 065826	TAPPING SCREW
3	270 077042	M4 PHILIPS SCREW
4	416435101	TAPPING SCREW
5	270 083116	CAP
6	270 087766	BLADE
7	416452101	SPRING
8	270 088415	THREADER LEVER
9	416452001	THREADER SHAFT
10	416452201	EXTENSION SPRING
11	416452301	HOLDER TENSION DISC
12	270 088433	WASHER
13	416452401	THREAD HOLDER
14	416452501	THREADER LEVER PLATE
15	68013663	FACE COVER
16	416458601	S MARK STICKER



Pos	Part No	Description
1	68013675	ACCESSORY SET
2	68014544	THREAD SPOOL NET (LONG)
3	270 065811	LARGE SCREW DRIVER
4	270 074793	SMALL SCREW DRIVER
5	416437001	ZIPPER FOOT
6	416437101	BLIND STITCH FOOT
7	68014561	BUTTON SEWING FOOT
8	270 088100	BUTTONHOLE PLATE
9	68004084	SPOOL PIN DISC
10	68004086	LARGE SCREW DRIVER
11	416436101	FOOT CONTROL
12	416784801	KNEE LIFTER
13	N200014BZ03	NEEDLE SET
14	270 085128	BOBBIN
15	412157801	POWER CORD (230V)
16	416436401	BUTTONHOLE OPENER / BRUSH
17	270 086933	THREAD SPOOL NET (SHORT)
18	68013653	SATIN FOOT
19	270 087287	SPOOL PIN CAP (MINI)
20	270 087289	SPOOL PIN CAP (SMALL)
21	270 087290	SPOOL PIN CAP (LARGE)
22	412157903	POWER CORD (120V)
23	270 088100	BUTTONHOLE FOOT
24	270 088100	BUTTONHOLE FOOT
25	270 088366	SPOOL PIN
26	416436501	ACCESSORY BOX
27		POWER CORD (Saudi Arabia)
28		
29	416557101	POWER CORD (Australia)
30		POWER CORD (Shanghai)
31	68002372	EXTENSION TABLE
32	68002373	EXTENSION TABLE LEG
33		
34		
35		
36	68013746	PATTERN CHART
37	68013747	DUST COVER
38	270 HP31099-3	EVEN FEED FOOT
39	68013748	1/4 FOOT
40	68013749	DARNING FOOT
41	68013750	QUILT GUIDE BAR
42	68013751	OPEN TOE FOOT