

PFAFF®

hobbylock 797

Bestandteile-Liste

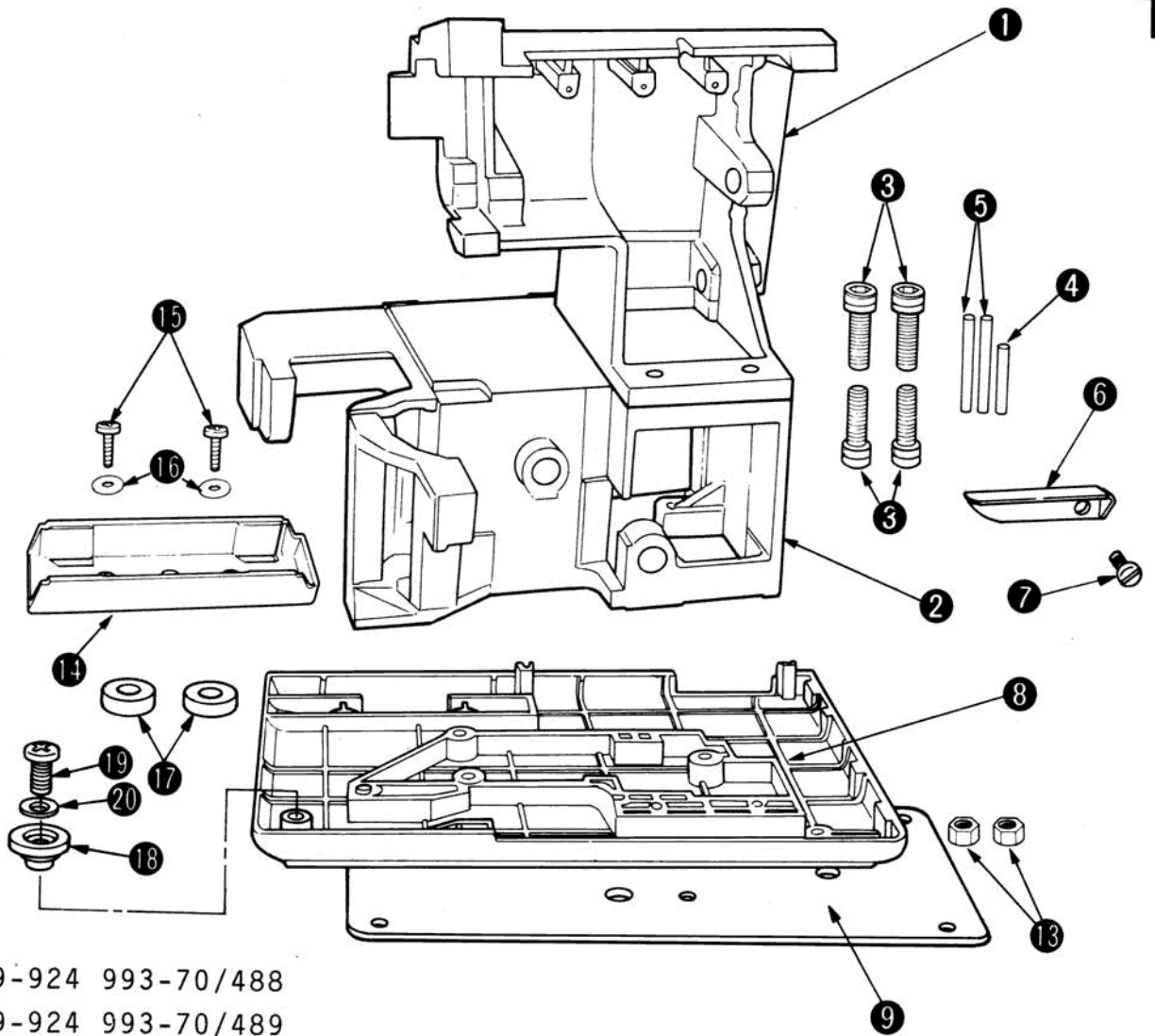
List of spare parts

Liste des pièces détachées

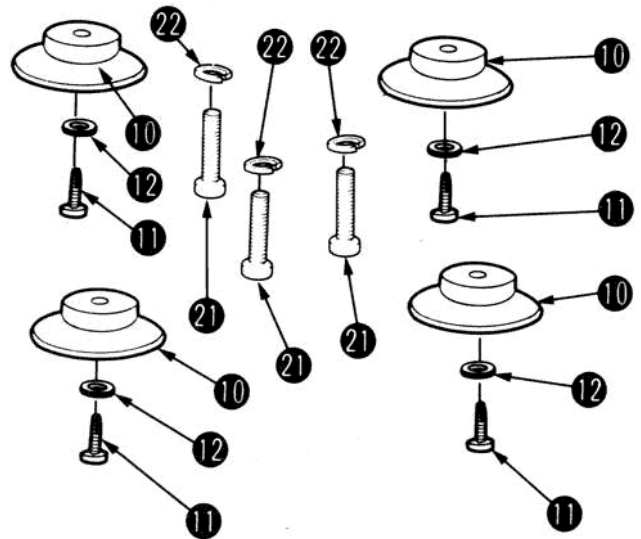
Catalogo pezzi staccati

Lista de piezas de repuesto

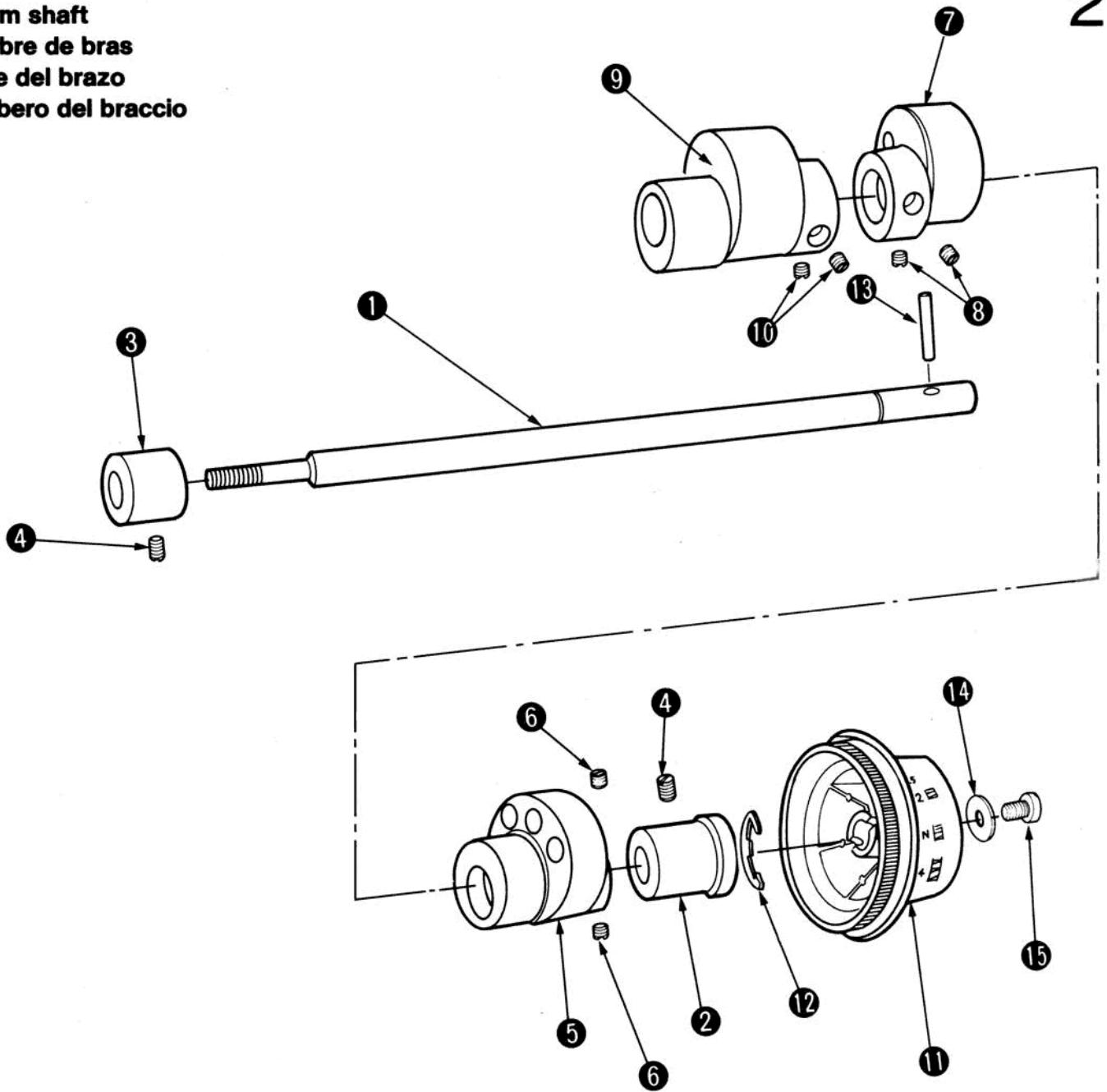
Gehäuse
 Housing
 Carcasse
 Carcasa
 Carter



- 1 = 29-924 993-70/488
- 2 = 29-924 993-70/489
- 3 = 29-924 993-70/308
- 4 = 29-924 993-70/086
- 5 = 29-924 990-01/000
- 6 = 29-924 993-14/000
- 7 = 29-924 993-70/365
- 8 = 29-924 993-70/087 581
- 9 = 29-924 993-70/490
- 10 = 29-924 993-70/089
- 11 = 29-924 993-70/090
- 12 = 29-924 993-70/310
- 13 = 29-924 991-83/000
- 14 = 29-924 993-70/246
- 15 = 29-924 993-70/491
- 16 = 29-924 993-70/315
- 17 = 29-924 993-70/492
- 18 = 29-924 993-70/493
- 19 = 29-924 993-70/494
- 20 = 29-924 993-70/031
- 21 = 29-924 993-70/021
- 22 = 29-924 990-05/000



Armwelle
Arm shaft
Arbre de bras
Eje del brazo
Albero del braccio

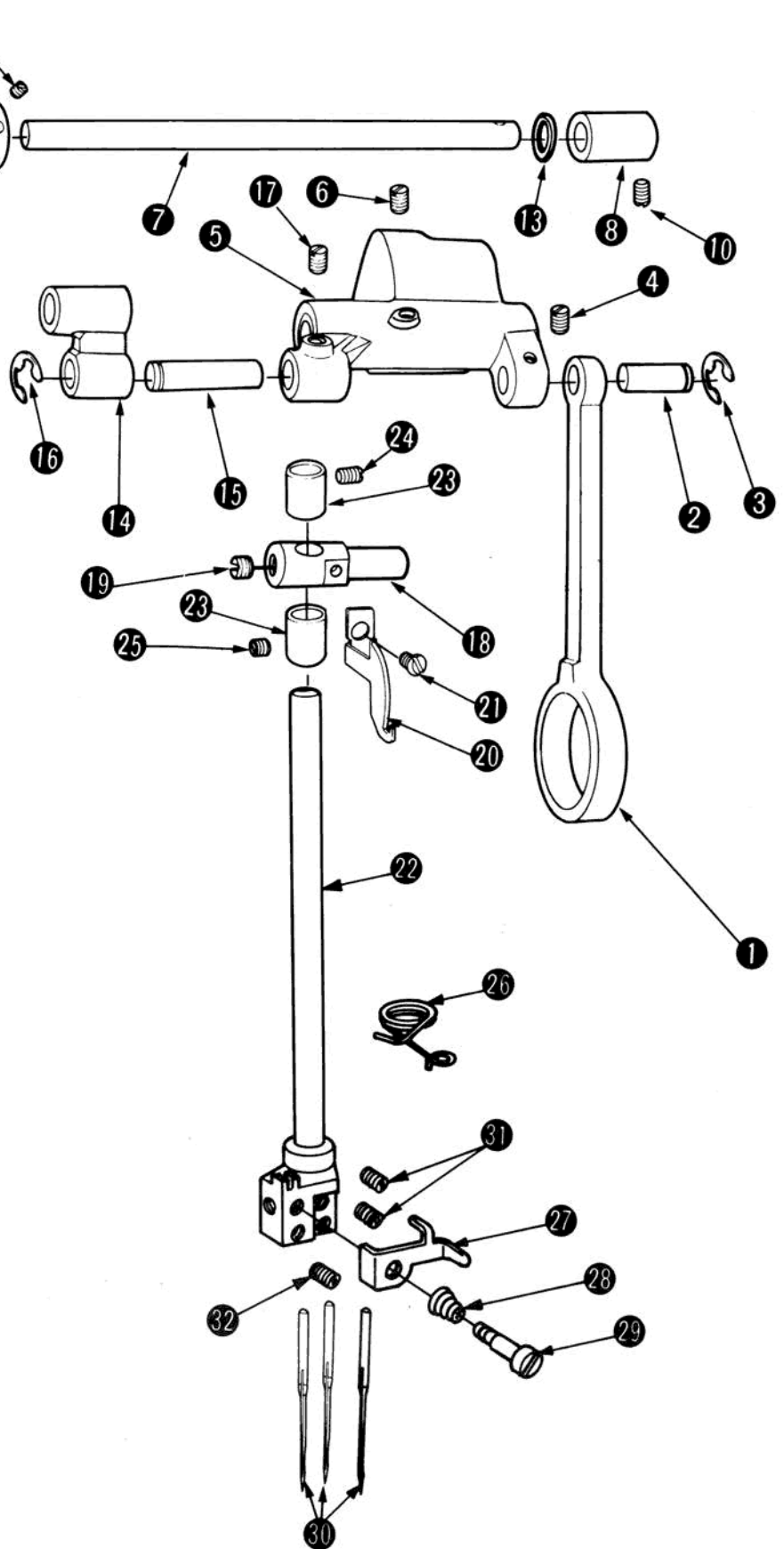


- 1 = 29-924 993-70/314
- 2 = 29-924 993-15/000
- 3 = 29-924 993-16/000
- 4 = 29-924 990-06/000
- 5 = 29-924 993-70/495
- 6 = 29-924 990-09/000
- 7 = 29-924 993-70/318
- 8 = 29-924 990-09/000

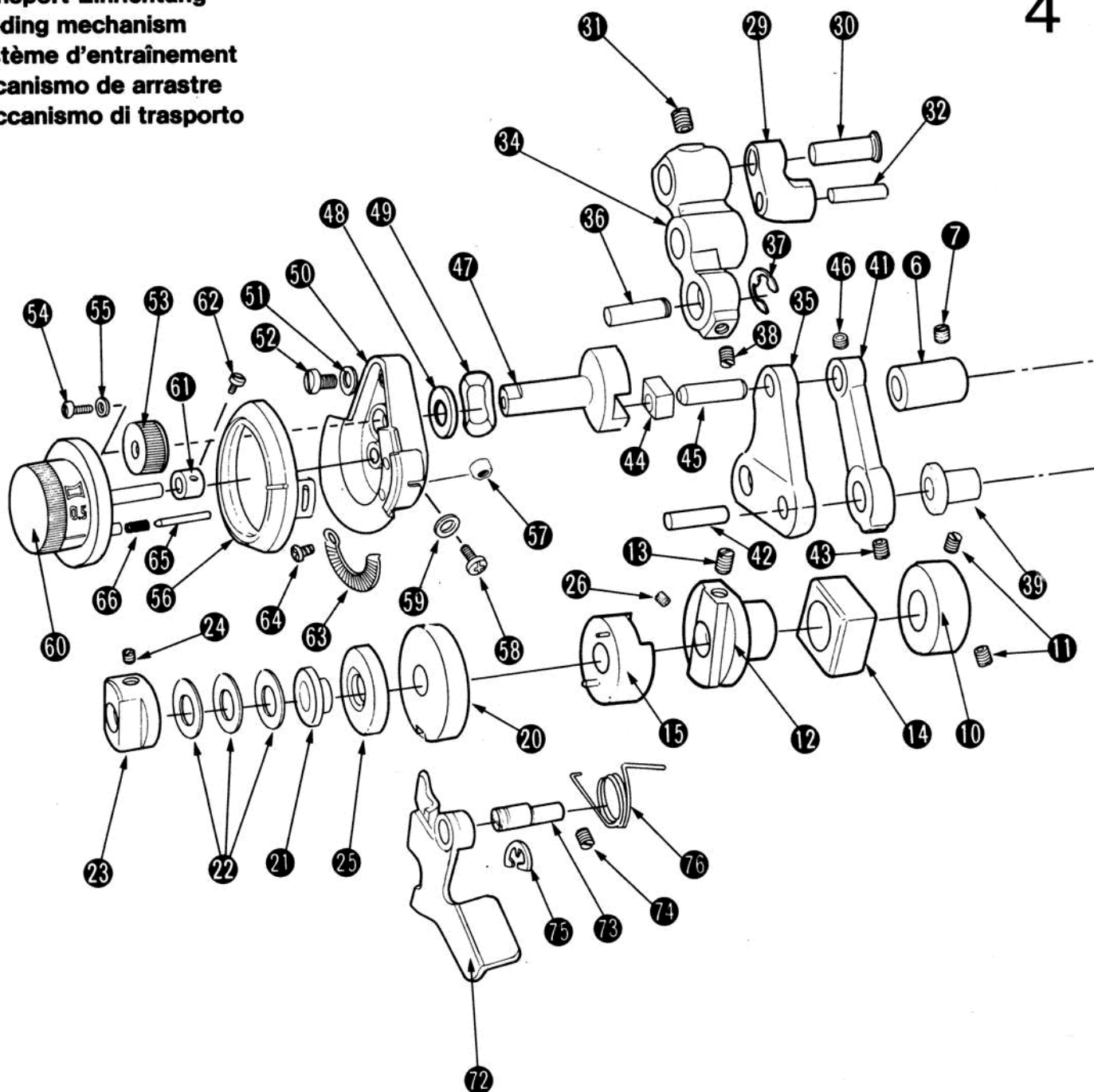
- 9 = 29-924 993-70/496
- 10 = 29-924 990-09/000
- 11 = 29-924 993-70/319
- 12 = 29-924 993-70/042
- 13 = 29-924 993-70/043
- 14 = 29-924 993-70/013
- 15 = 29-924 993-70/012

Nadelstange mit Antrieb
Needle bar with drive
Barre à aiguille avec commande
Barra de aguja con accionamiento
Barra d'ago con comando

- 1 = 29-924 993-70/050
- 2 = 29-924 993-70/322
- 3 = 29-924 993-70/075
- 4 = 29-924 990-06/000
- 5 = 29-924 993-70/323
- 6 = 29-924 990-06/000
- 7 = 29-924 993-70/324
- 8 = 29-924 993-70/059
- 9 = 29-924 993-18/000
- 10 = 29-924 990-06/000
- 11 = 29-924 993-21/000
- 12 = 29-924 990-20/000
- 13 = 29-924 993-70/109
- 14 = 29-924 993-70/497
- 15 = 29-924 993-70/104
- 16 = 29-924 993-70/075
- 17 = 29-924 990-06/000
- 18 = 29-924 993-70/326
- 19 = 29-924 990-08/000
- 20 = 29-924 993-70/498
- 21 = 29-924 993-70/329
- 22 = 29-924 993-70/830
- 23 = 29-924 993-70/074
- 24 = 29-924 990-06/000
- 25 = 29-924 990-09/000
- 26 = 29-924 993-70/499
- 27 = 29-924 993-70/500
- 28 = 29-924 993-70/048
- 29 = 29-924 993-70/049
- 30 = 49-019 914-31/000
- 31 = 29-924 993-70/501
- 32 = 29-924 993-70/502



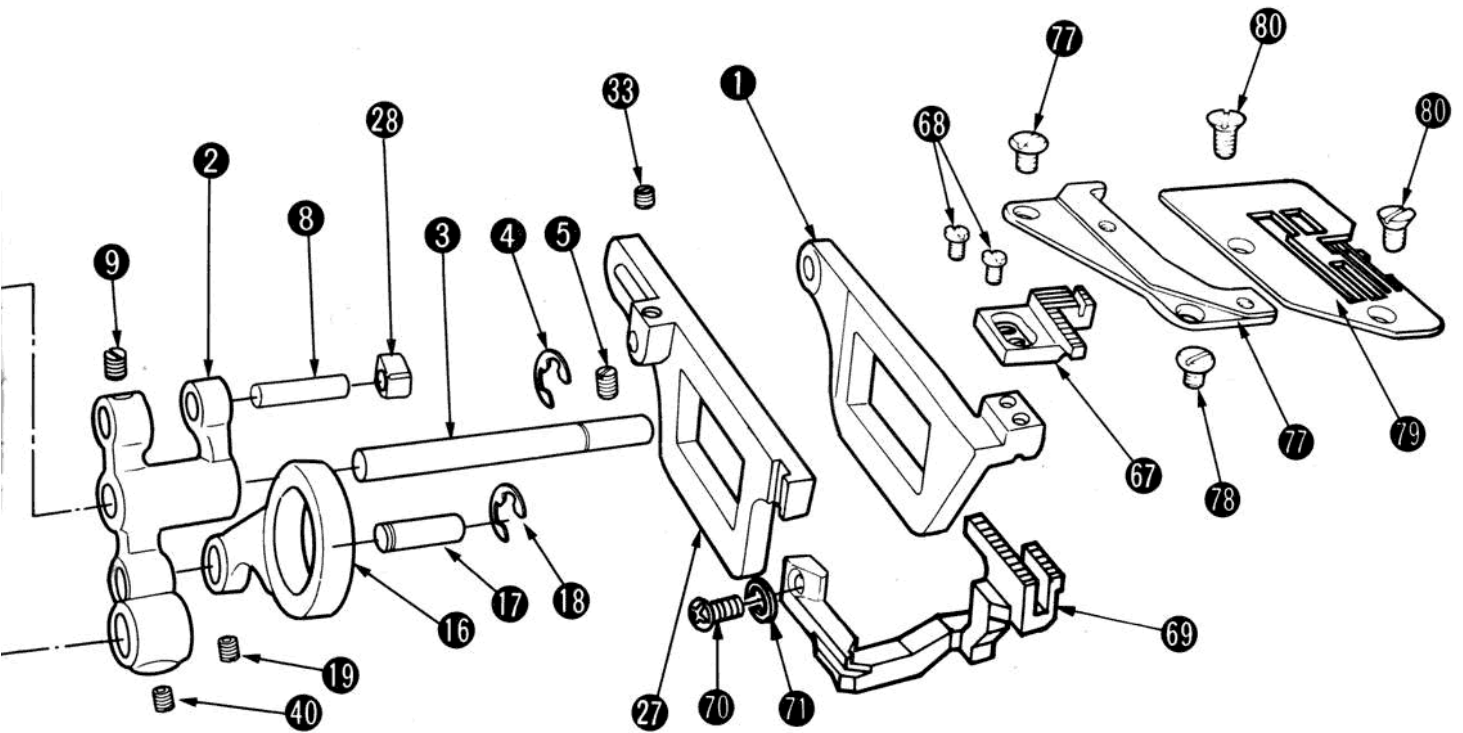
Transport-Einrichtung
Feeding mechanism
Système d'entraînement
Mecanismo de arrastre
Meccanismo di trasporto



1 = 29-924 993-70/333
 2 = 29-924 993-70/334
 3 = 29-924 993-70/055
 4 = 29-924 993-70/075
 5 = 29-924 990-06/000
 6 = 29-924 993-31/000
 7 = 29-924 990-09/000
 8 = 29-924 993-70/335
 9 = 29-924 993-70/336
 10 = 29-924 993-70/337
 11 = 29-924 993-70/004
 12 = 29-924 993-70/339
 13 = 29-924 990-06/000
 14 = 29-924 993-70/340

15 = 29-924 993-70/341
 16 = 29-924 993-70/342
 17 = 29-924 993-70/343
 18 = 29-924 993-70/075
 19 = 29-924 993-70/004
 20 = 29-924 993-70/344
 21 = 29-924 993-70/345
 22 = 29-924 993-70/346
 23 = 29-924 993-70/347
 24 = 29-924 990-20/000
 25 = 29-924 993-70/348
 26 = 29-924 993-70/349
 27 = 29-924 993-70/350
 28 = 29-924 993-70/285

29 = 29-924 993-70/351
 30 = 29-924 993-70/352
 31 = 29-924 993-70/336
 32 = 29-924 993-70/335
 33 = 29-924 990-20/000
 34 = 29-924 993-70/353
 35 = 29-924 993-70/354
 36 = 29-924 993-70/343
 37 = 29-924 993-70/075
 38 = 29-924 993-70/004
 39 = 29-924 993-70/355
 40 = 29-924 993-70/004
 41 = 29-924 993-70/356
 42 = 29-924 993-70/357

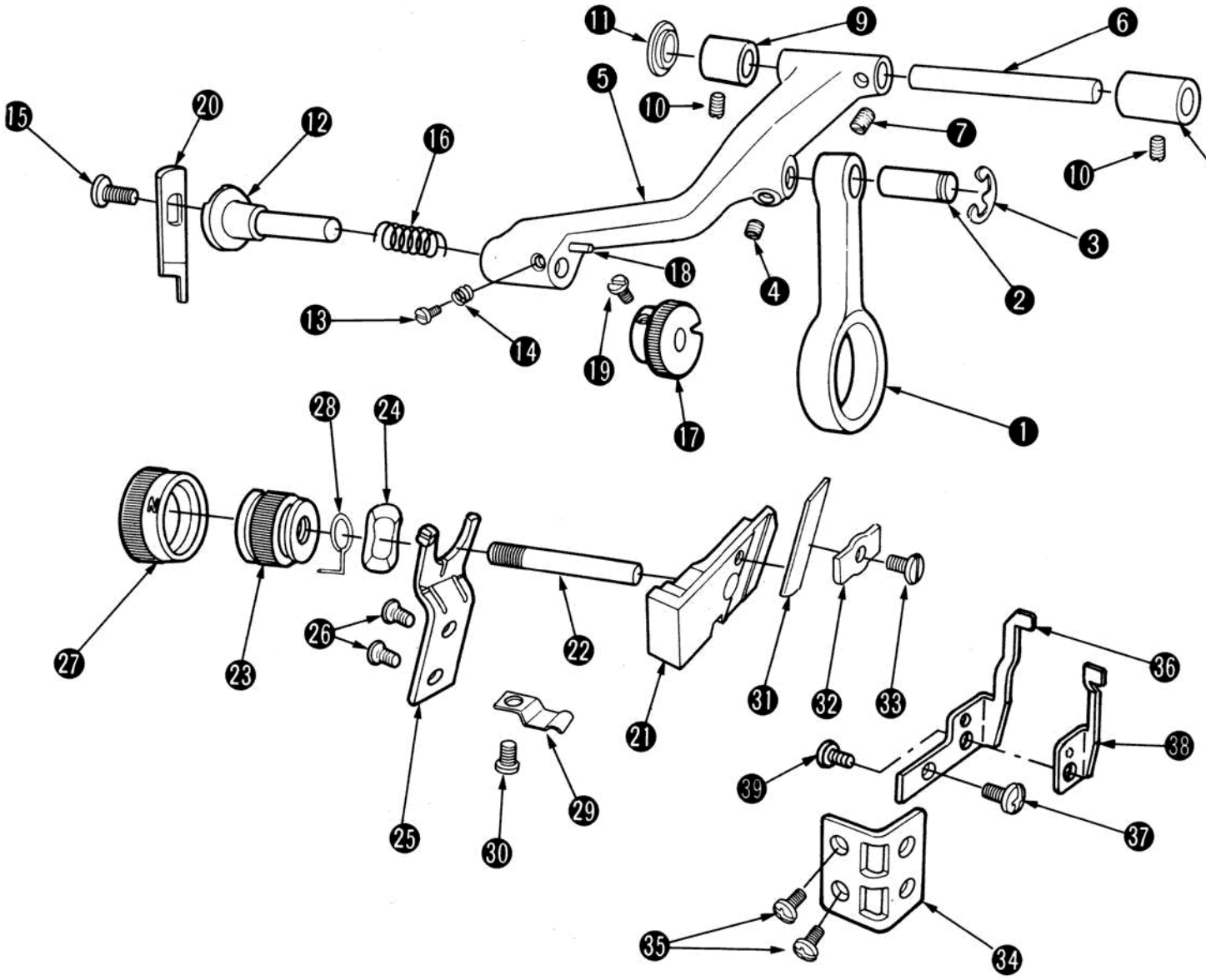


43 = 29-924 993-70/004
 44 = 29-924 993-70/285
 45 = 29-924 993-70/359
 46 = 29-924 990-10/000
 47 = 29-924 993-70/287
 48 = 29-924 993-70/032
 49 = 29-924 993-70/120
 50 = 29-924 993-70/363
 51 = 29-924 993-70/031
 52 = 29-924 990-25/000
 53 = 29-924 993-70/122
 54 = 29-924 993-70/028
 55 = 29-924 993-70/030
 56 = 29-924 993-70/368

57 = 29-924 993-70/369
 58 = 29-924 993-70/022
 59 = 29-924 993-70/031
 60 = 29-924 993-70/371
 61 = 29-924 993-70/126
 62 = 29-924 993-70/000
 63 = 29-924 993-70/372
 64 = 29-924 993-70/034
 65 = 29-924 993-70/374
 66 = 29-924 993-70/375
 67 = 29-924 993-70/503
 68 = 29-924 993-70/329
 69 = 29-924 993-70/504
 70 = 29-924 993-70/378

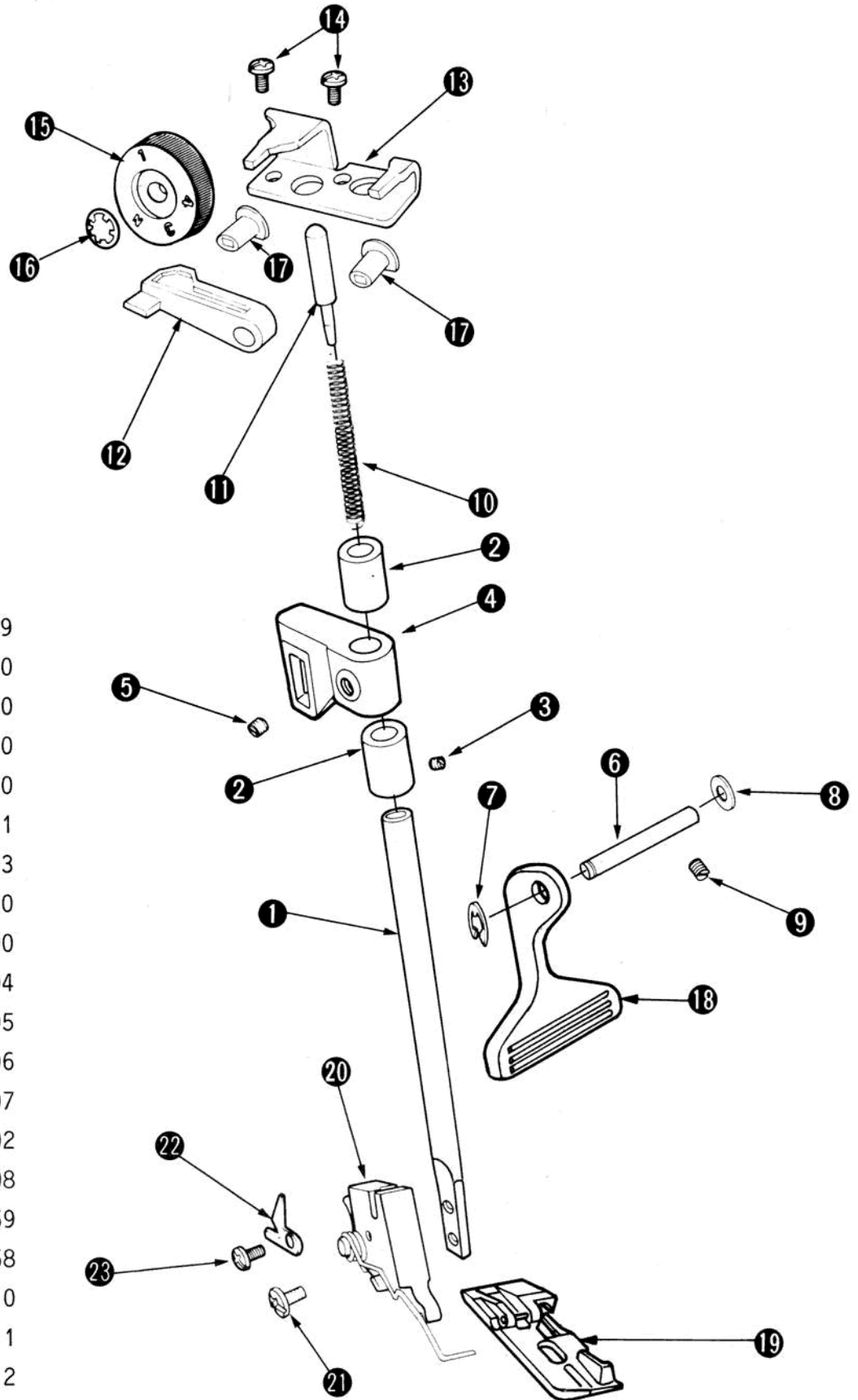
71 = 29-924 993-70/505
 72 = 29-924 993-70/379
 73 = 29-924 993-70/380
 74 = 29-924 993-70/004
 75 = 29-924 993-70/066
 76 = 29-924 993-70/381
 77 = 29-924 993-70/129
 78 = 29-924 993-70/014
 79 = 29-924 993-70/506
 80 = 29-924 993-70/384

Ober- und Untermesser
Upper and lower knife
Couteau supérieur et inférieur
Cuchilla superior e inferior
Coltello superiore ed inferiore



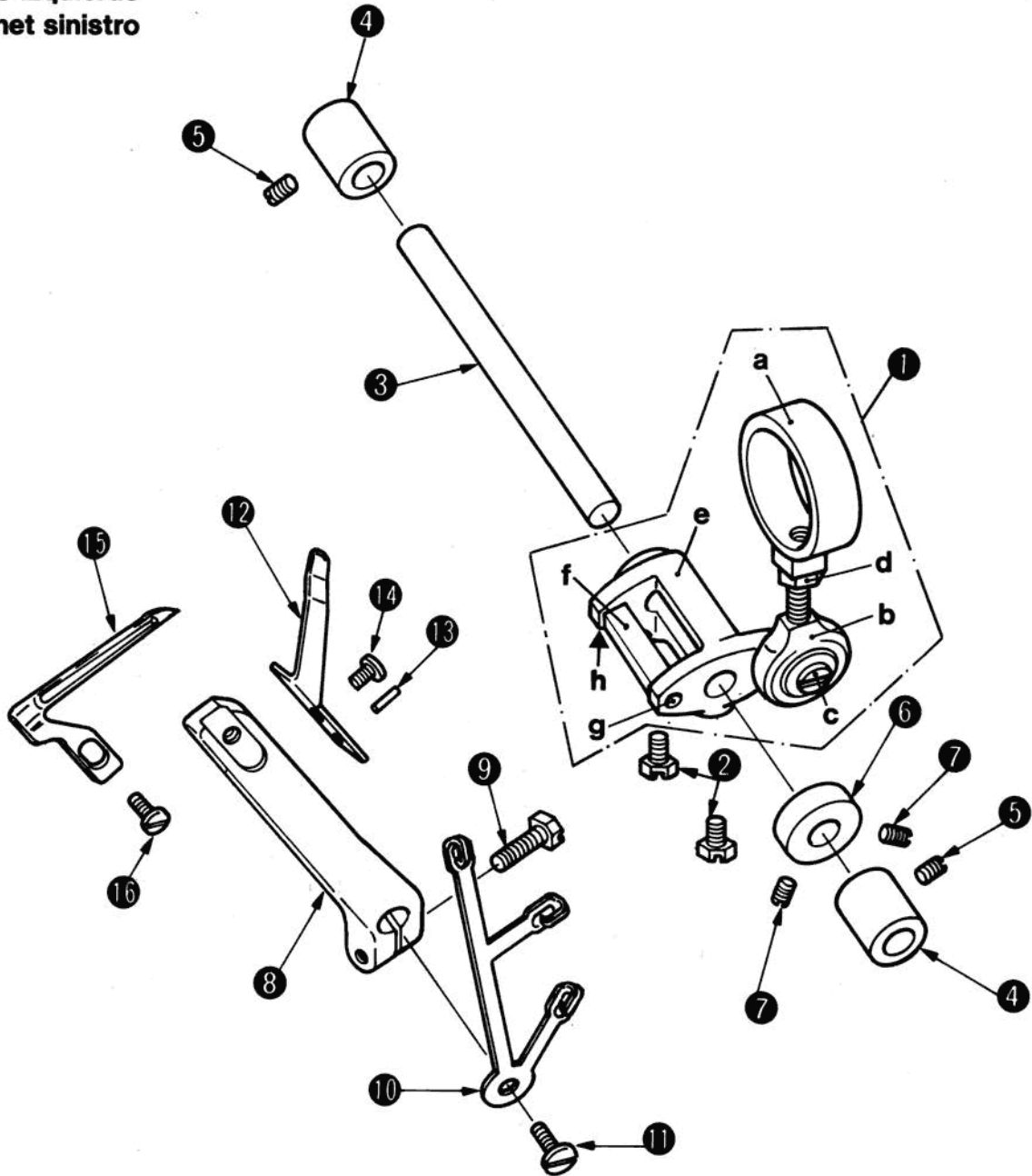
1 = 29-924 993-70/057	14 = 29-924 993-70/135	27 = 29-924 993-70/393
2 = 29-924 993-70/045	15 = 29-924 993-70/016	28 = 29-924 993-70/394
3 = 29-924 993-70/075	16 = 29-924 993-70/058	29 = 29-924 993-70/395
4 = 29-924 990-09/000	17 = 29-924 993-70/134	30 = 29-924 990-25/000
5 = 29-924 993-70/507	18 = 29-924 993-70/388	31 = 29-924 992-56/000
6 = 29-924 993-70/133	19 = 29-924 993-70/329	32 = 29-924 993-70/143
7 = 29-924 990-06/000	20 = 29-924 993-70/389	33 = 29-924 993-70/396
8 = 29-924 993-70/059	21 = 29-924 993-70/507	34 = 29-924 993-70/147
9 = 29-924 993-70/197	22 = 29-924 993-70/139	35 = 29-924 993-70/002
10 = 29-924 990-06/000	23 = 29-924 993-70/390	36 = 29-924 993-70/508
11 = 29-924 993-70/385	24 = 29-924 993-70/144	37 = 29-924 993-70/027
12 = 29-924 993-70/056	25 = 29-924 993-70/391	38 = 29-924 993-70/509
13 = 29-924 993-70/036	26 = 29-924 993-70/002	39 = 29-924 993-70/329

Stoffdrückerstange mit Nähfuß
Presser bar with presser foot
Barre presse-tissu avec pied
Barra del prensatelas con prensatelas
Barra premistoffa con piedino



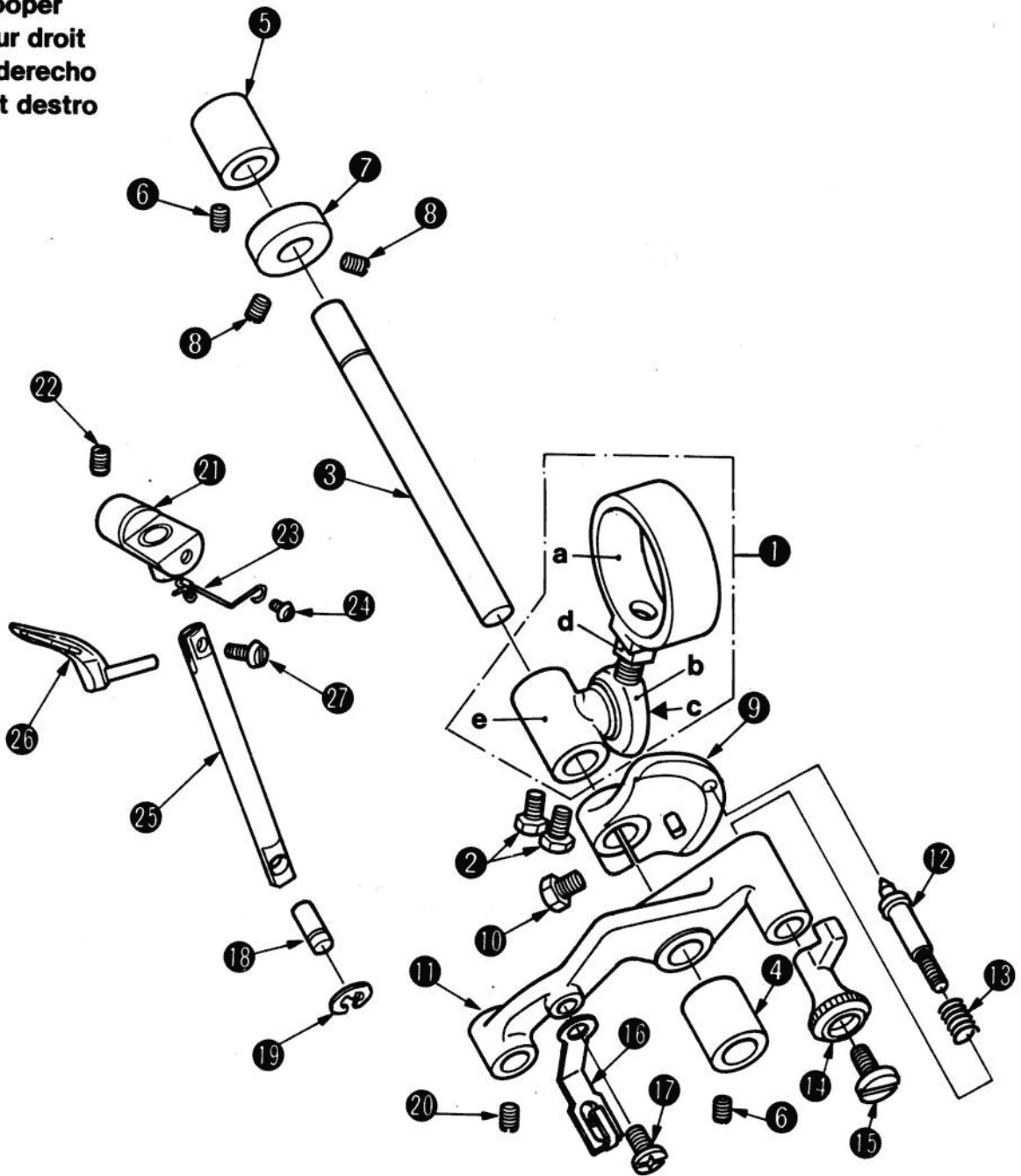
- 1 = 29-924 993-70/399
- 2 = 29-924 993-31/000
- 3 = 29-924 990-20/000
- 4 = 29-924 993-70/400
- 5 = 29-924 990-09/000
- 6 = 29-924 993-70/401
- 7 = 29-924 993-70/033
- 8 = 29-924 993-70/310
- 9 = 29-924 990-17/000
- 10 = 29-924 993-70/404
- 11 = 29-924 993-70/405
- 12 = 29-924 993-70/406
- 13 = 29-924 993-70/407
- 14 = 29-924 993-70/002
- 15 = 29-924 993-70/408
- 16 = 29-924 993-70/159
- 17 = 29-924 993-70/158
- 18 = 29-924 993-70/510
- 19 = 29-924 993-70/511
- 20 = 29-924 993-70/512
- 21 = 29-924 992-01/000
- 22 = 29-924 993-70/168
- 23 = 29-924 993-70/002

Linker Greifer
Left lopper
Boucleur gauche
Garfio izquierdo
Crochet sinistro



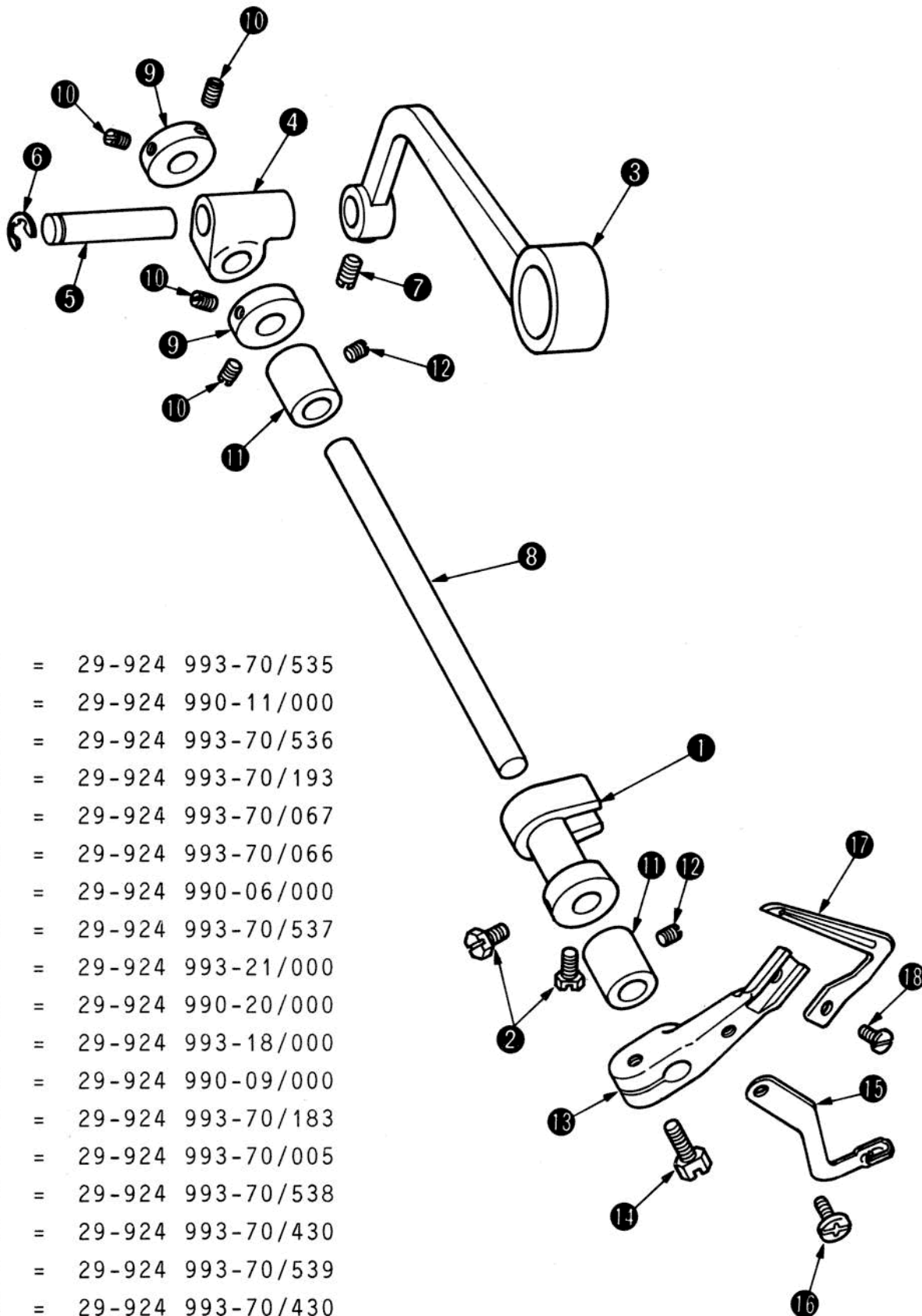
1	=	29-924 993-70/522	5	=	29-924 990-06/000
a	=	29-924 993-00/000	6	=	29-924 993-21/000
b	=	29-924 993-70/412	7	=	29-924 990-20/000
c	=	29-924 992-96/000	8	=	29-924 993-70/517
d	=	29-924 992-95/000	9	=	29-924 993-70/518
e	=	29-924 993-70/513	10	=	29-924 993-70/519
f	=	29-924 993-70/514	11	=	29-924 993-70/430
g	=	29-924 993-70/515	12	=	29-924 993-70/520
h	=	29-924 990-20/000	13	=	29-924 993-70/421
2	=	29-924 990-11/000	14	=	29-924 993-70/329
3	=	29-924 993-70/516	15	=	29-924 993-70/521
4	=	29-924 993-18/000	16	=	29-924 993-70/430

Rechter Greifer
Right looper
Boucleur droit
Garfio derecho
Crochet destro



1 = 29-924 993-70/423	7 = 29-924 993-21/000	18 = 29-924 993-70/532
a = 29-924 993-00/000	8 = 29-924 990-20/000	19 = 29-924 993-70/465 <small>12-64213-11</small>
b = 29-924 993-70/424	9 = 29-924 993-70/525	20 = 29-924 990-20/000
c = 29-924 992-96/000	10 = 29-924 993-70/518	21 = 29-924 993-70/433
d = 29-924 992-95/000	11 = 29-924 993-70/526	22 = 29-924 990-06/000
e = 29-924 993-70/523	12 = 29-924 993-70/527	23 = 29-924 993-70/533
2 = 29-924 990-11/000	13 = 29-924 993-70/528	24 = 29-924 993-70/329
3 = 29-924 993-70/524	14 = 29-924 993-70/529	25 = 29-924 993-70/181
4 = 29-924 993-31/000	15 = 29-924 993-70/530	26 = 29-924 993-70/534
5 = 29-924 993-18/000	16 = 29-924 993-70/531	27 = 29-924 990-21/000
6 = 29-924 990-06/000	17 = 29-924 993-70/002	

Doppelkettenstichgreifer
Double chain looper drive mechanism
Boucleur pour point de chaînette double
Garfio para punto cadeneta
Crochet per il punto a doppia catenella



- 1 = 29-924 993-70/535
- 2 = 29-924 990-11/000
- 3 = 29-924 993-70/536
- 4 = 29-924 993-70/193
- 5 = 29-924 993-70/067
- 6 = 29-924 993-70/066
- 7 = 29-924 990-06/000
- 8 = 29-924 993-70/537
- 9 = 29-924 993-21/000
- 10 = 29-924 990-20/000
- 11 = 29-924 993-18/000
- 12 = 29-924 990-09/000
- 13 = 29-924 993-70/183
- 14 = 29-924 993-70/005
- 15 = 29-924 993-70/538
- 16 = 29-924 993-70/430
- 17 = 29-924 993-70/539
- 18 = 29-924 993-70/430

Motor / Anlasser / Einbauleuchte

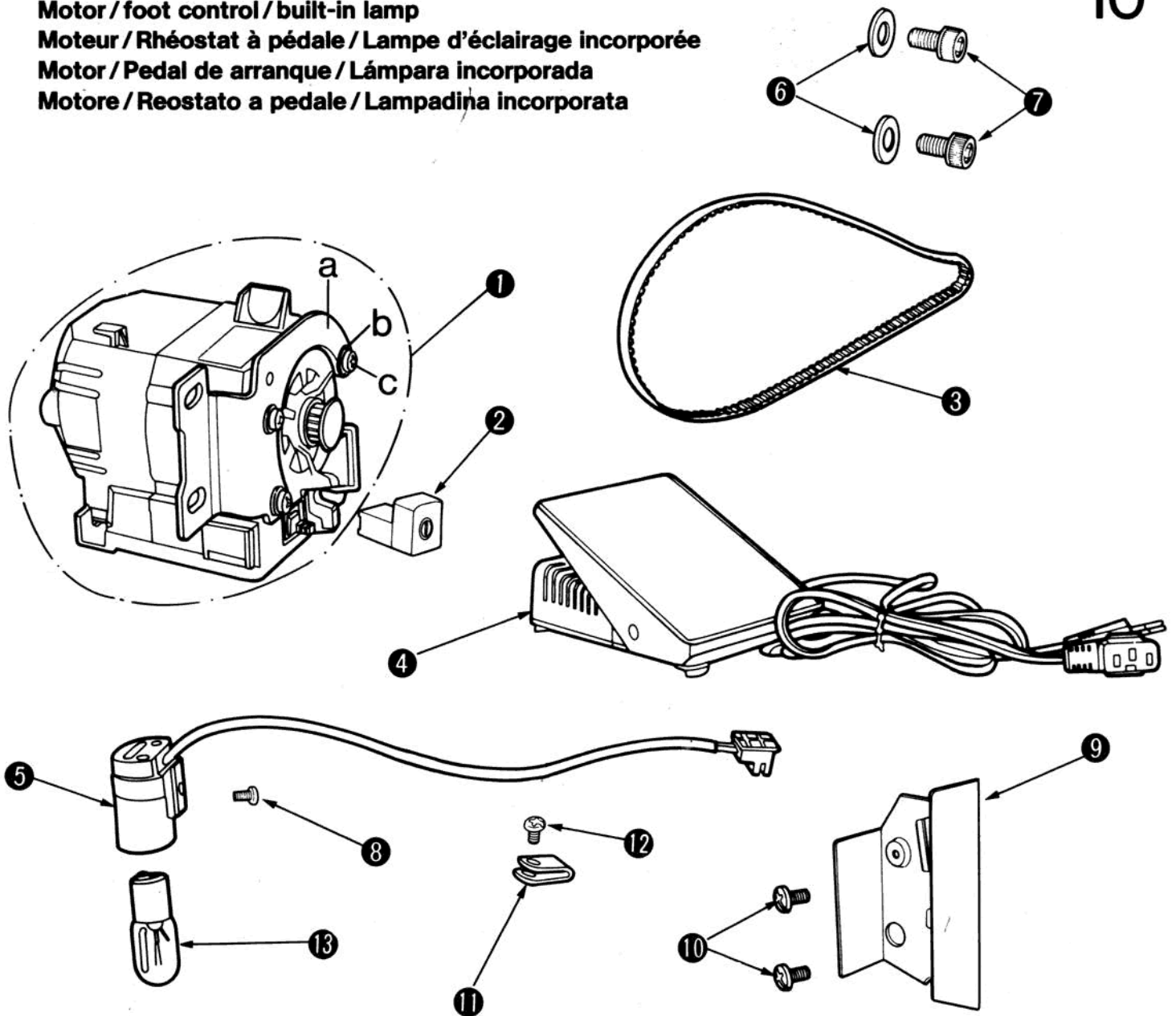
Motor / foot control / built-in lamp

Moteur / Rhéostat à pédale / Lampe d'éclairage incorporée

Motor / Pedal de arranque / Lámpara incorporada

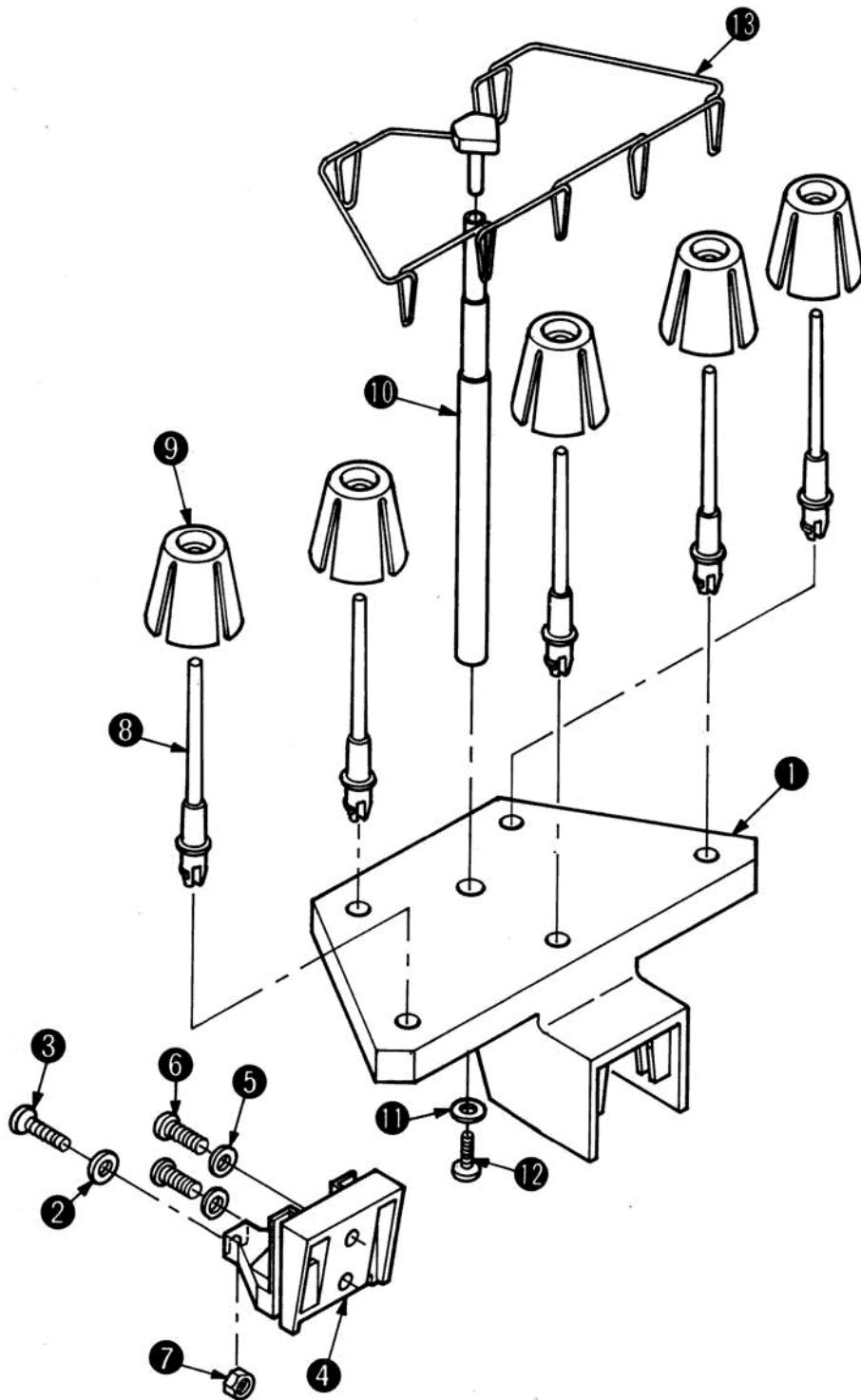
Motore / Reostato a pedale / Lampadina incorporata

10



- | | | | | |
|---|---|-------------------|-----------------|------------|
| 1 | = | 902-1002-023 | (UL, CSA, 120V) | |
| | | 902-1002-020 | (VDE, 220V) | |
| | | 902-1002-021 | (SAA, 240V) | |
| | | 902-1002-021 | (BEAB, 240V) | |
| a | = | 92-326 873-05/000 | | |
| b | = | 12-315 110-25/000 | | |
| c | = | 11-190 174-25/000 | | |
| 2 | = | 92-324 848-48/000 | | |
| 3 | = | 92-326 871-05/000 | | |
| 4 | = | 902-2300-913 | (UL, CSA, 120V) | electronic |
| | | 902-2300-911 | (VDE, 220V) | electronic |
| | | 902-2006-911 | (VDE, 220V) | |
| | | 902-2300-914 | (SAA, 240V) | electronic |
| | | 902-2300-916 | (BEAB, 240V) | electronic |

- | | | | | |
|----|---|-------------------|-------------------------|--|
| 5 | = | 902-3304-013 | (UL, CSA, 120V) | |
| | | 902-3304-001 | (VDE, 220V, BEAB, 240V) | |
| | | 902-3304-004 | (VDE, 220V, BEAB, 240V) | |
| 6 | = | 29-924 993-70/025 | | |
| 7 | = | 29-924 993-70/020 | | |
| 8 | = | 29-924 993-70/022 | | |
| 9 | = | 29-924 993-70/266 | | |
| 10 | = | 29-924 993-70/002 | | |
| 11 | = | 29-924 993-70/483 | | |
| 12 | = | 29-924 992-01/000 | | |
| 13 | = | 70-251 652-01/001 | (220V) | |
| | | 70-251 651-71/000 | (120V) | |

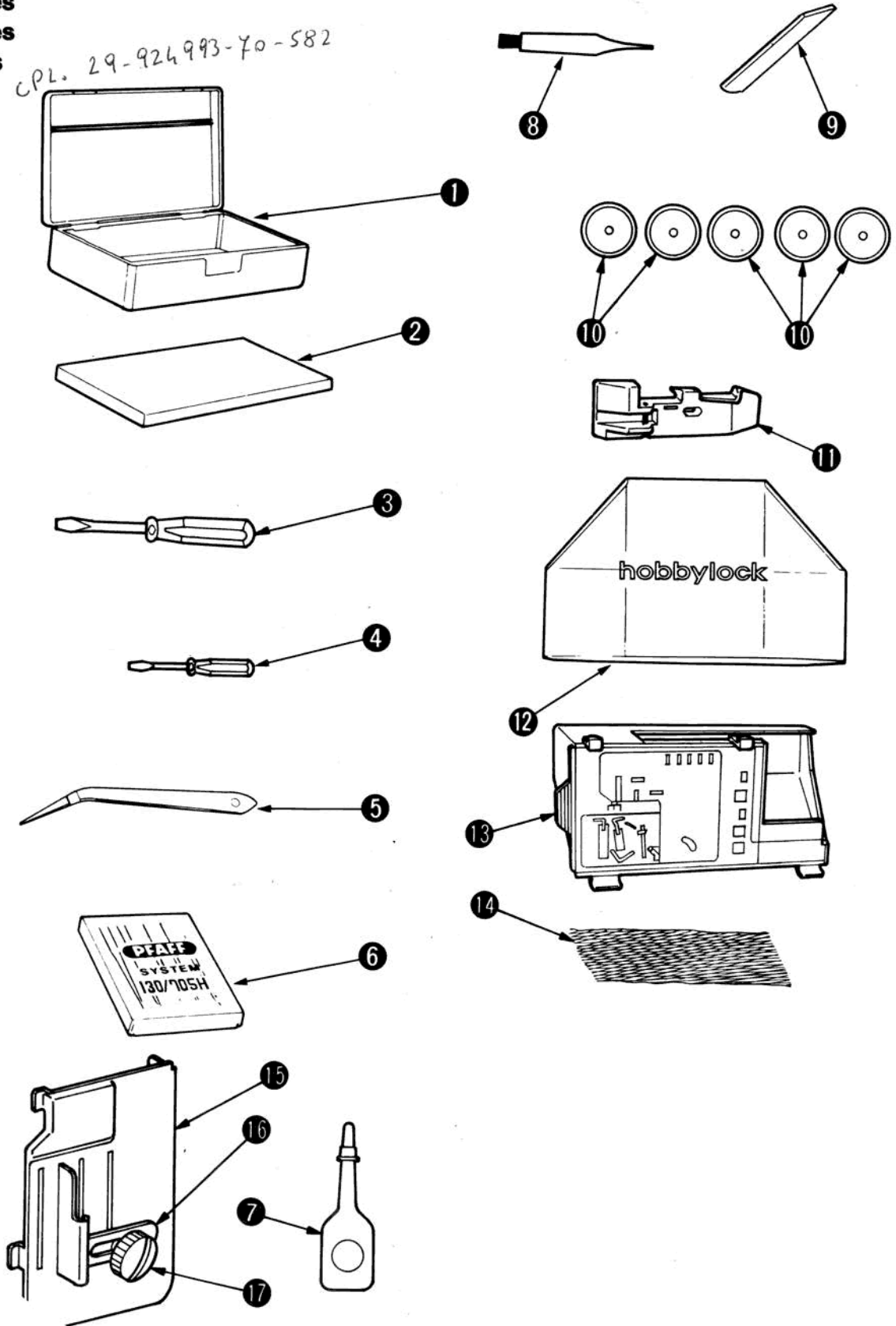


- 1 = 29-924 993-70/540
- 2 = 29-924 993-70/310
- 3 = 29-924 993-70/541
- 4 = 29-924 993-70/542
- 5 = 29-924 993-70/029
- 6 = 29-924 993-54/000
- 7 = 29-924 990-24/000

- 8 = 29-924 993-70/543
- 9 = 29-924 993-70/544
- 10 = 29-924 993-70/545
- 11 = 29-924 993-70/437
- 12 = 29-924 993-54/000
- 13 = 29-924 993-70/546

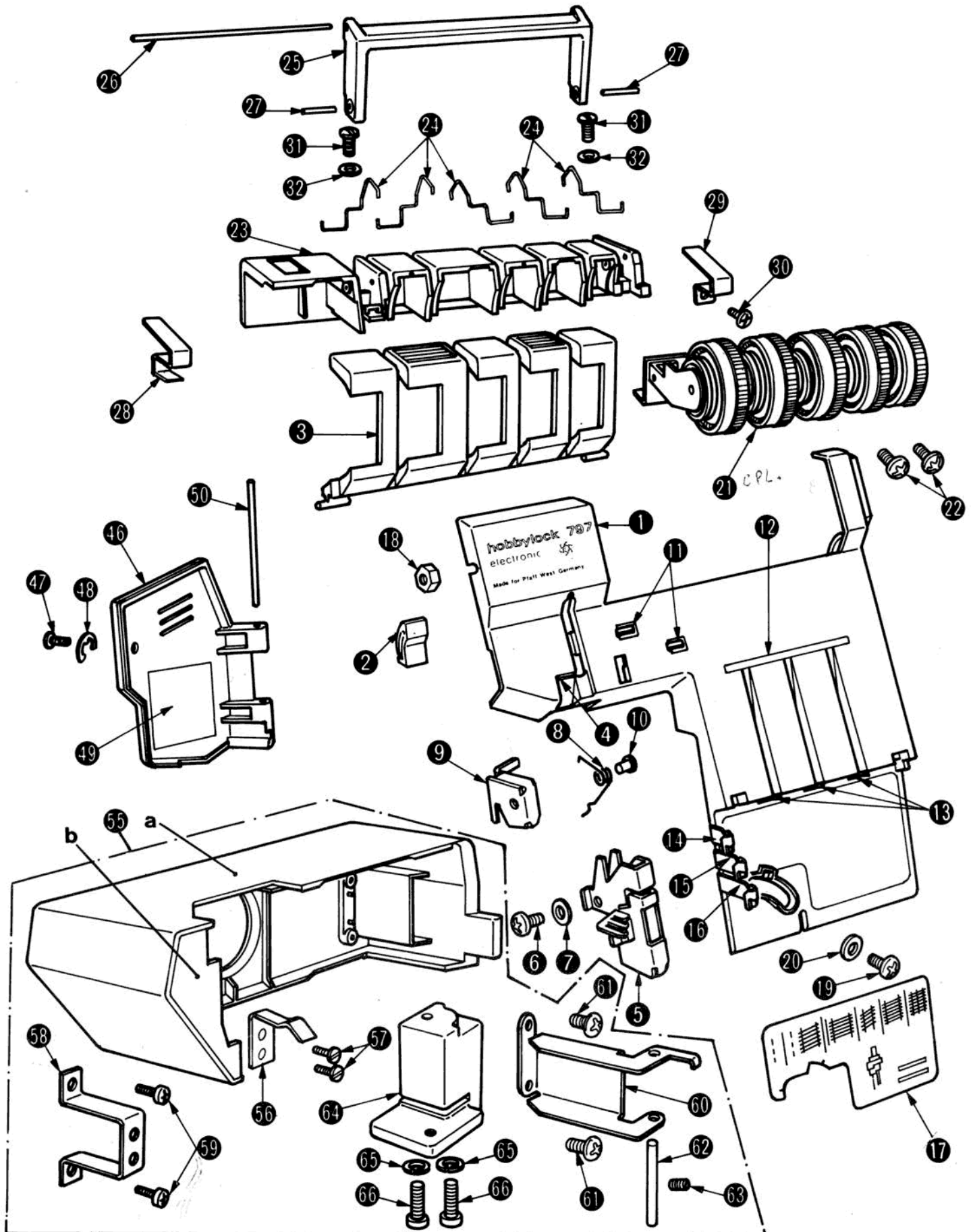
Zubehör
 Accessories
 Accessoires
 Accesorios
 Accessori

CPL. 29-924 993-70-582

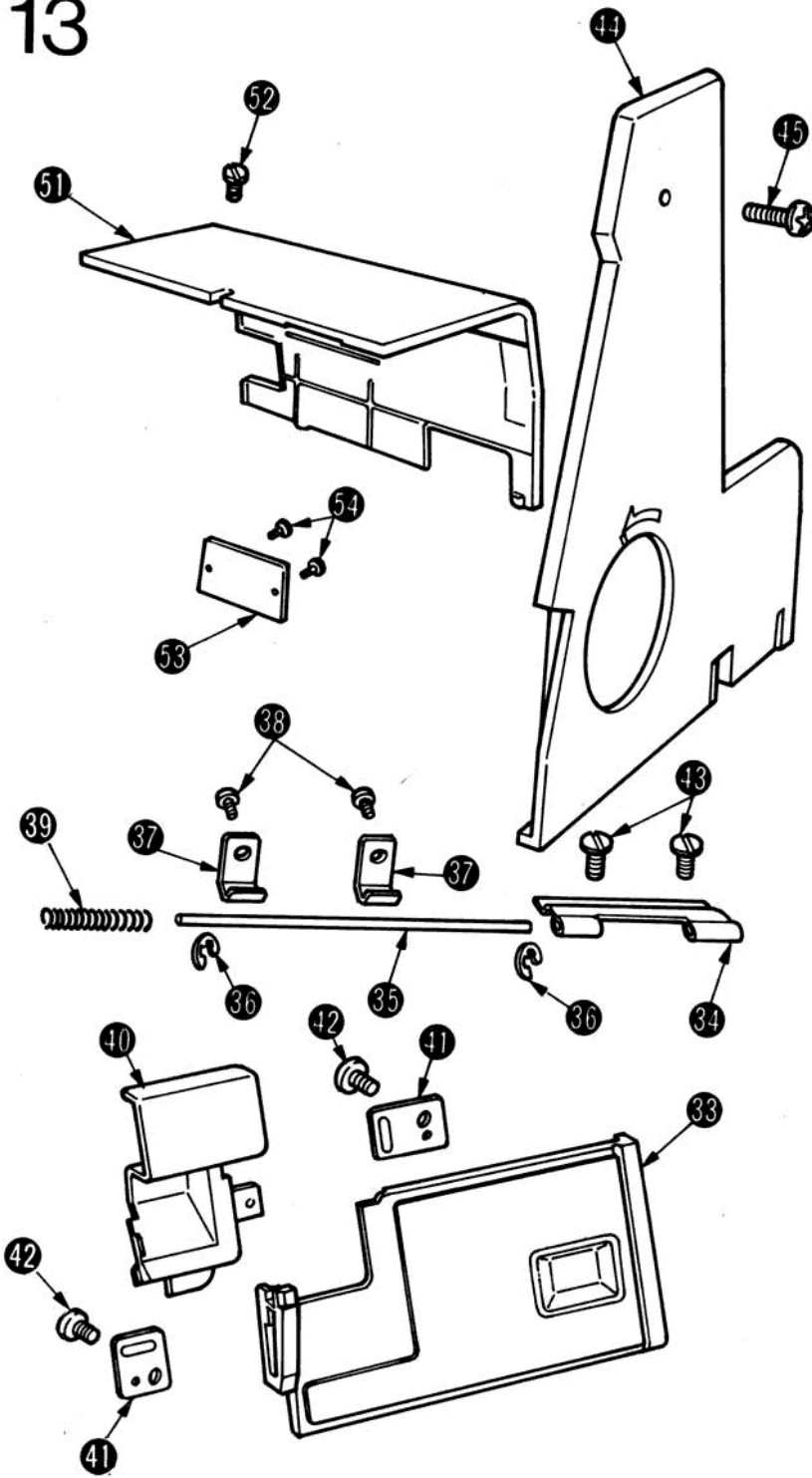


- | | | |
|-----------------------|------------------------|------------------------|
| 1 = 29-924 993-70/245 | 7 = 29-924 993-70/250 | 13 = 29-924 993-70/444 |
| 2 = 29-924 993-70/251 | 8 = 29-924 993-70/249 | 14 = 29-924 993-70/445 |
| 3 = 29-924 993-70/247 | 9 = 29-924 992-56/100 | 15 = 29-924 993-70/549 |
| 4 = 29-924 993-70/547 | 10 = 29-924 993-70/081 | 16 = 29-924 993-70/071 |
| 5 = 29-924 993-70/083 | 11 = 29-924 993-70/548 | 17 = 29-924 992-74/000 |
| 6 = 49-019 914-31/000 | 12 = 29-924 993-70/252 | |

Gehäuse-Abdeckungen / Oberfadenspannung
Housing covers / top feed tension
Caches / Tension supérieure
Tapas de la carcasa / Tensión del hilo superior
Coperchi del carter / Tensione superiore



13



25	=	29-924 993-70/565
26	=	29-924 993-70/566
27	=	29-924 993-70/218
28	=	29-924 993-70/461
29	=	29-924 993-70/567
30	=	29-924 993-70/568
31	=	29-924 992-00/000
32	=	29-924 993-70/031
33	=	29-924 993-70/569
34	=	29-924 993-70/463
35	=	29-924 993-70/464
36	=	29-924 993-70/465
37	=	29-924 993-70/466
38	=	29-924 993-70/034
39	=	29-924 993-70/467
40	=	29-924 993-70/570
41	=	29-924 993-70/571
42	=	29-924 993-70/034
43	=	29-924 990-25/000
44	=	29-924 993-70/198 ⁸³³
45	=	29-924 993-70/008
46	=	29-924 993-70/572
47	=	29-924 993-70/018
48	=	29-924 993-70/465
49	=	29-924 993-70/273
50	=	29-924 993-70/219
51	=	29-924 993-70/200
52	=	29-924 990-25/000
53	=	29-924 993-70/472
54	=	29-924 993-70/277
55	=	29 924 993-70/573
a	=	29-924 993-70/574
b	=	29-924 993-70/575
56	=	29-924 993-70/203
57	=	29-924 993-70/329
58	=	29-924 993-70/576
59	=	29-924 993-70/494
60	=	29-924 993-70/577
61	=	29-924 993-70/578
62	=	29-924 993-70/579
63	=	29-924 990-20/000
64	=	29-924 993-70/580
65	=	29-924 990-04/000
66	=	29-924 990-05/000

1	=	29-924 993-70/550	13	=	29-924 993-70/236
2	=	29-924 993-70/191	14	=	29-924 993-70/559
3	=	29-924 993-70/551	15	=	29-924 993-70/560
4	=	29-924 993-70/552	16	=	29-924 993-70/561
5	=	29-924 993-70/553	17	=	29-924 993-70/562
6	=	29-924 993-70/448	18	=	29-924 993-70/009
7	=	29-924 993-70/310	19	=	29-924 993-70/001
8	=	29-924 993-70/554	20	=	29-924 993-70/031
9	=	29-924 993-70/555	21	=	29-924 993-70/563
10	=	29-924 993-70/556	22	=	29-924 993-70/002
11	=	29-924 993-70/557	23	=	29-924 993-70/564
12	=	29-924 993-70/558	24	=	29-924 993-70/457

Nummernverzeichnis . Numerical index . Index . Elenco dei numeri . Indice numérico

11-190	174-25/000	10	29-924	993-70/028	4	29-924	993-70/218	13
			29-924	993-70/029	11	29-924	993-70/219	13
12-315	110-25/000	10	29-924	993-70/030	4	29-924	993-70/236	13
			29-924	993-70/031	1,4,13	29-924	993-70/245	12
29-924	990-01/000	1	29-924	993-70/032	4	29-924	993-70/246	1
29-924	990-04/000	13	29-924	993-70/033	6	29-924	993-70/247	12
29-924	990-05/000	1,13	29-924	993-70/034	4,13	29-924	993-70/249	12
29-924	990-06/000	2,3,4,5,7,8,9	29-924	993-70/036	5	29-924	993-70/250	12
29-924	990-08/000	3	29-924	993-70/042	2	29-924	993-70/252	12
29-924	990-09/000	2,3,5,6,9	29-924	993-70/043	2	29-924	993-70/266	10
29-924	990-10/000	4	29-924	993-70/045	5	29-924	993-70/273	13
29-924	990-11/000	7,8,9	29-924	993-70/048	3	29-924	993-70/277	13
29-924	990-17/000	6	29-924	993-70/049	3	29-924	993-70/285	4
29-924	990-20/000	3,4,6,7,8,9,13	29-924	993-70/050	3	29-924	993-70/287	4
29-924	990-21/000	8	29-924	993-70/055	4	29-924	993-70/308	1
29-924	990-24/000	11	29-924	993-70/056	5	29-924	993-70/310	1,6,11,13
29-924	990-25/000	4,5,13	29-924	993-70/057	5	29-924	993-70/314	2
			29-924	993-70/058	5	29-924	993-70/315	1
29-924	991-83/000	1	29-924	993-70/059	3,5	29-924	993-70/318	2
			29-924	993-70/066	4,9	29-924	993-70/319	2
29-924	992-00/000	13	29-924	993-70/067	9	29-924	993-70/322	3
29-924	992-01/000	6,10	29-924	993-70/071	12	29-924	993-70/323	3
29-924	992-56/000	5	29-924	993-70/074	3	29-924	993-70/324	3
29-924	992-56/100	12	29-924	993-70/075	3,4,5	29-924	993-70/326	3
29-924	992-74/000	12	29-924	993-70/081	12	29-924	993-70/329	3,4,5,7,8,13
29-924	992-95/000	7,8	29-924	993-70/083	12	29-924	993-70/330	3
29-924	992-96/000	7,8	29-924	993-70/086	1	29-924	993-70/333	4
			29-924	993-70/087	1	29-924	993-70/334	4
29-924	993-00/000	7,8	29-924	993-70/089	1	29-924	993-70/335	4
29-924	993-09/000	4	29-924	993-70/090	1	29-924	993-70/336	4
29-924	993-14/000	1	29-924	993-70/104	3	29-924	993-70/337	4
29-924	993-15/000	2	29-924	993-70/109	3	29-924	993-70/339	4
29-924	993-16/000	2	29-924	993-70/120	4	29-924	993-70/340	4
29-924	993-18/000	3,7,8,9	29-924	993-70/122	4	29-924	993-70/341	4
29-924	993-21/000	3,7,8,9	29-924	993-70/126	4	29-924	993-70/342	4
29-924	993-31/000	4,6,8	29-924	993-70/129	4	29-924	993-70/343	4
29-924	993-54/000	11	29-924	993-70/133	5	29-924	993-70/344	4
29-924	993-70/000	4	29-924	993-70/134	5	29-924	993-70/345	4
29-924	993-70/001	13	29-924	993-70/135	5	29-924	993-70/346	4
29-924	993-70/002	5,6,8,10,13	29-924	993-70/139	5	29-924	993-70/347	4
29-924	993-70/004	4	29-924	993-70/143	5	29-924	993-70/348	4
29-924	993-70/005	9	29-924	993-70/144	5	29-924	993-70/349	4
29-924	993-70/008	13	29-924	993-70/147	5	29-924	993-70/350	4
29-924	993-70/009	13	29-924	993-70/158	6	29-924	993-70/351	4
29-924	993-70/012	2	29-924	993-70/159	6	29-924	993-70/352	4
29-924	993-70/013	2	29-924	993-70/168	6	29-924	993-70/353	4
29-924	993-70/014	4	29-924	993-70/181	8	29-924	993-70/354	4
29-924	993-70/016	5	29-924	993-70/183	9	29-924	993-70/355	4
29-924	993-70/018	13	29-924	993-70/191	13	29-924	993-70/356	4
29-924	993-70/020	10	29-924	993-70/193	9	29-924	993-70/357	4
29-924	993-70/021	1	29-924	993-70/197	5	29-924	993-70/359	4
29-924	993-70/022	4,10	29-924	993-70/198	13	29-924	993-70/363	4
29-924	993-70/025	10	29-924	993-70/200	13	29-924	993-70/365	1
29-924	993-70/027	5	29-924	993-70/203	13	29-924	993-70/368	4

Nummernverzeichnis . Numerical index . Index . Elenco dei numeri . Indice numérico

29-924 993-70/369 4	29-924 993-70/497 3	29-924 993-70/553 13
29-924 993-70/371 4	29-924 993-70/498 3	29-924 993-70/554 13
29-924 993-70/372 4	29-924 993-70/499 3	29-924 993-70/555 13
29-924 993-70/374 4	29-924 993-70/500 3	29-924 993-70/556 13
29-924 993-70/375 4	29-924 993-70/501 3	29-924 993-70/557 13
29-924 993-70/378 4	29-924 993-70/502 3	29-924 993-70/558 13
29-924 993-70/379 4	29-924 993-70/503 4	29-924 993-70/559 13
29-924 993-70/380 4	29-924 993-70/504 4	29-924 993-70/560 13
29-924 993-70/381 4	29-924 993-70/505 4	29-924 993-70/561 13
29-924 993-70/384 4	29-924 993-70/506 4	29-924 993-70/562 13
29-924 993-70/385 5	29-924 993-70/507 5	29-924 993-70/563 13
29-924 993-70/388 5	29-924 993-70/508 5	29-924 993-70/564 13
29-924 993-70/389 5	29-924 993-70/509 5	29-924 993-70/566 13
29-924 993-70/390 5	29-924 993-70/510 6	29-924 993-70/567 13
29-924 993-70/391 5	29-924 993-70/511 6	29-924 993-70/568 13
29-924 993-70/393 5	29-924 993-70/512 6	29-924 993-70/569 13
29-924 993-70/394 5	29-924 993-70/513 7	29-924 993-70/570 13
29-924 993-70/395 5	29-924 993-70/514 7	29-924 993-70/571 13
29-924 993-70/396 5	29-924 993-70/515 7	29-924 993-70/572 13
29-924 993-70/399 6	29-924 993-70/516 7	29-924 993-70/573 13
29-924 993-70/400 6	29-924 993-70/517 7	29-924 993-70/574 13
29-924 993-70/401 6	29-924 993-70/518 7,8	29-924 993-70/575 9,13
29-924 993-70/404 6	29-924 993-70/519 7	29-924 993-70/576 13
29-924 993-70/405 6	29-924 993-70/520 7	29-924 993-70/577 13
29-924 993-70/406 6	29-924 993-70/521 7	29-924 993-70/578 13
29-924 993-70/407 6	29-924 993-70/522 7	29-924 993-70/579 13
29-924 993-70/408 6	29-924 993-70/523 8	29-924 993-70/580 13
29-924 993-70/412 7	29-924 993-70/524 8	
29-924 993-70/421 7	29-924 993-70/525 8	49-019 914-31/000 3,12
29-924 993-70/423 8	29-924 993-70/526 8	
29-924 993-70/424 8	29-924 993-70/527 8	70-251 651-71/000 10
29-924 993-70/430 7,9	29-924 993-70/528 8	70-251 652-01/001 10
29-924 993-70/433 8	29-924 993-70/529 8	
29-924 993-70/437 11	29-924 993-70/530 8	92-324 848-48/000 10
29-924 993-70/444 12	29-924 993-70/531 8	92-326 871-05/000 10
29-924 993-70/445 12	29-924 993-70/532 8	92-326 873-05/000 10
29-924 993-70/448 13	29-924 993-70/533 8	
29-924 993-70/457 13	29-924 993-70/534 8	902-1002-020 10
29-924 993-70/461 13	29-924 993-70/536 9	902-1002-021 10
29-924 993-70/463 13	29-924 993-70/537 9	902-1002-023 10
29-924 993-70/464 13	29-924 993-70/538 9	902-2006-911 10
29-924 993-70/465 8,13	29-924 993-70/539 9	902-2300-911 10
29-924 993-70/466 13	29-924 993-70/540 11	902-2300-913 10
29-924 993-70/467 13	29-924 993-70/541 11	902-2300-914 10
29-924 993-70/472 13	29-924 993-70/542 11	902-2300-916 10
29-924 993-70/483 10	29-924 993-70/543 11	902-3304-001 10
29-924 993-70/488 1	29-924 993-70/544 11	902-3304-004 10
29-924 993-70/489 1	29-924 993-70/545 11	902-3304-013 10
29-924 993-70/490 1	29-924 993-70/546 11	
29-924 993-70/491 1	29-924 993-70/547 12	
29-924 993-70/492 1	29-924 993-70/548 12	
29-924 993-70/493 1	29-924 993-70/549 12	
29-924 993-70/494 1,13	29-924 993-70/550 13	
29-924 993-70/495 2	29-924 993-70/551 13	
29-924 993-70/496 2	29-924 993-70/552 13	

Nicht numerierte Teile im Katalog werden nicht geliefert.

Les pièces qui ne sont pas numérotées dans la liste de pièces détachées ne peuvent pas être livrées.

The parts mentioned without number in the parts list are not available.

Bei Bestellung von Ersatzteilen muß die Modell Nr. der Maschine, Seitenzahl des Kataloges und die Teilenummer angegeben werden.

Prière d'indiquer dans vos commandes de pièces de rechange, le numéro de la machine, le numéro de la page dans la liste des pièces détachées, ainsi que les numéros des pièces commandées.

When ordering spare parts, please state the model number, the page number in the catalogue of spare parts, and the numbers of the parts called for.