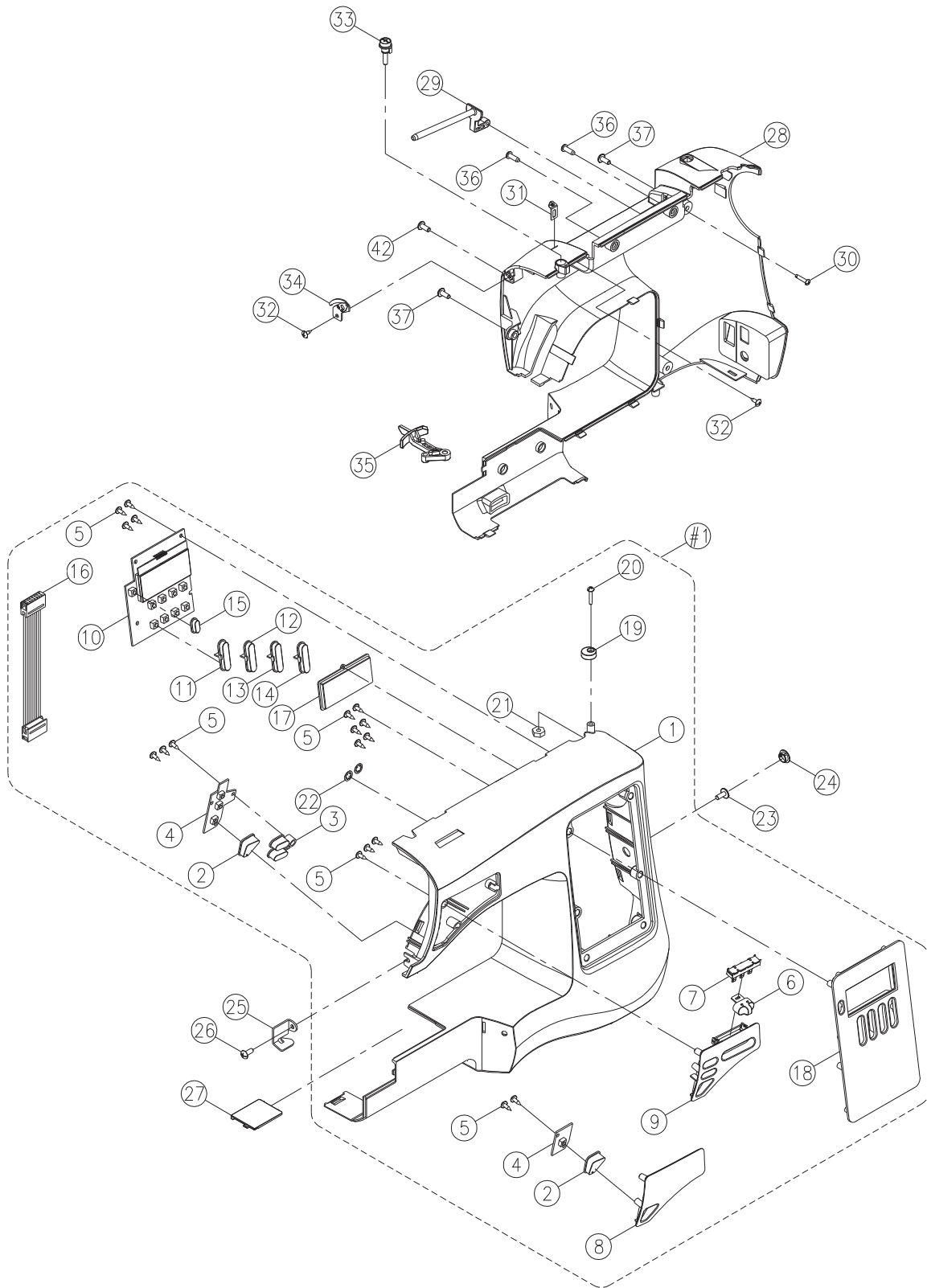




7640

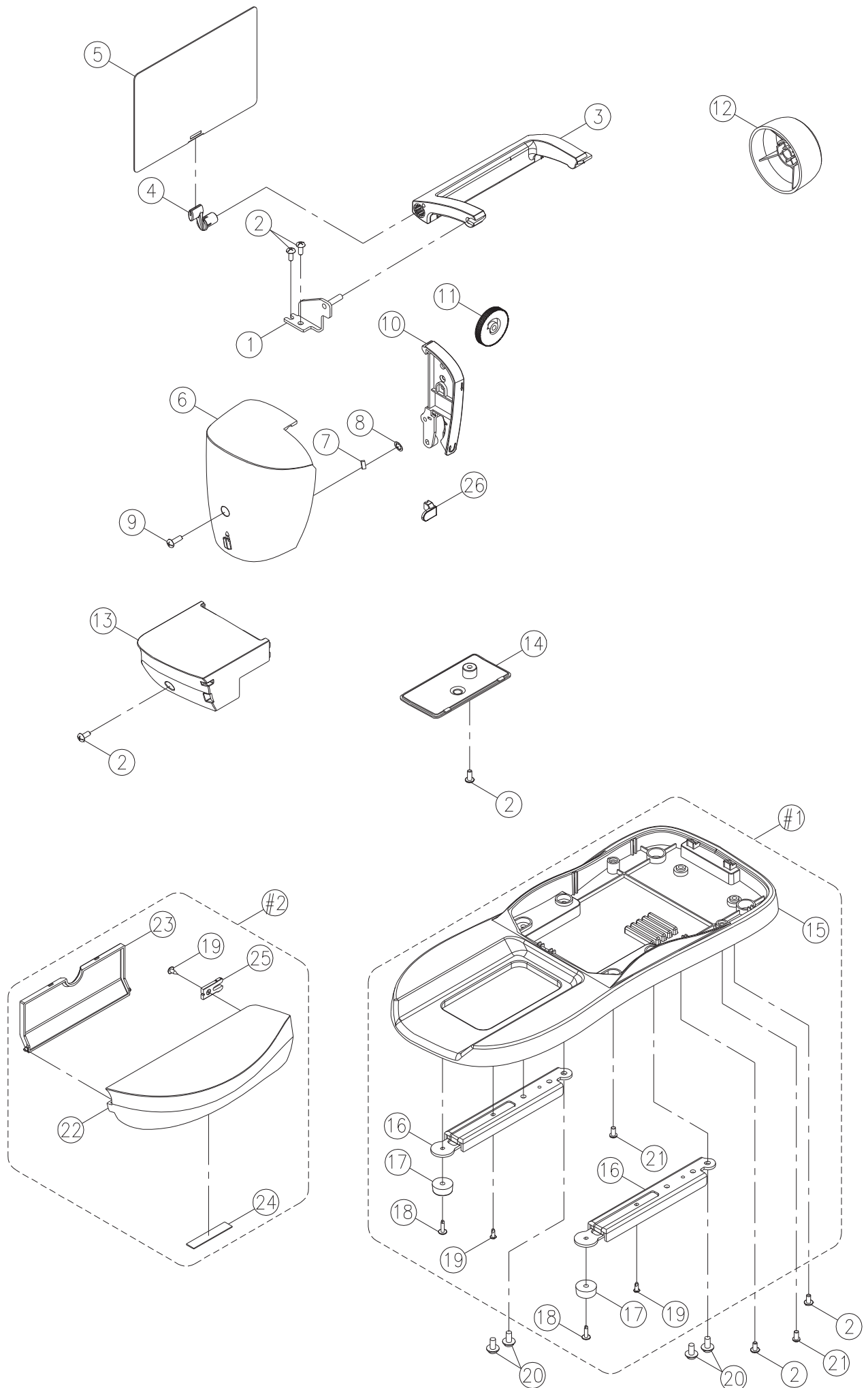
® A registered trademark of The Singer Company Ltd. or its affiliates.
® *Una marca registrada de The Singer Company Ltd. o sus afiliados.*
® *Une marca déposée de The Singer Company Ltd. ou ses filiales.*

Liste de pièces
Lista de Piezas
Parts List

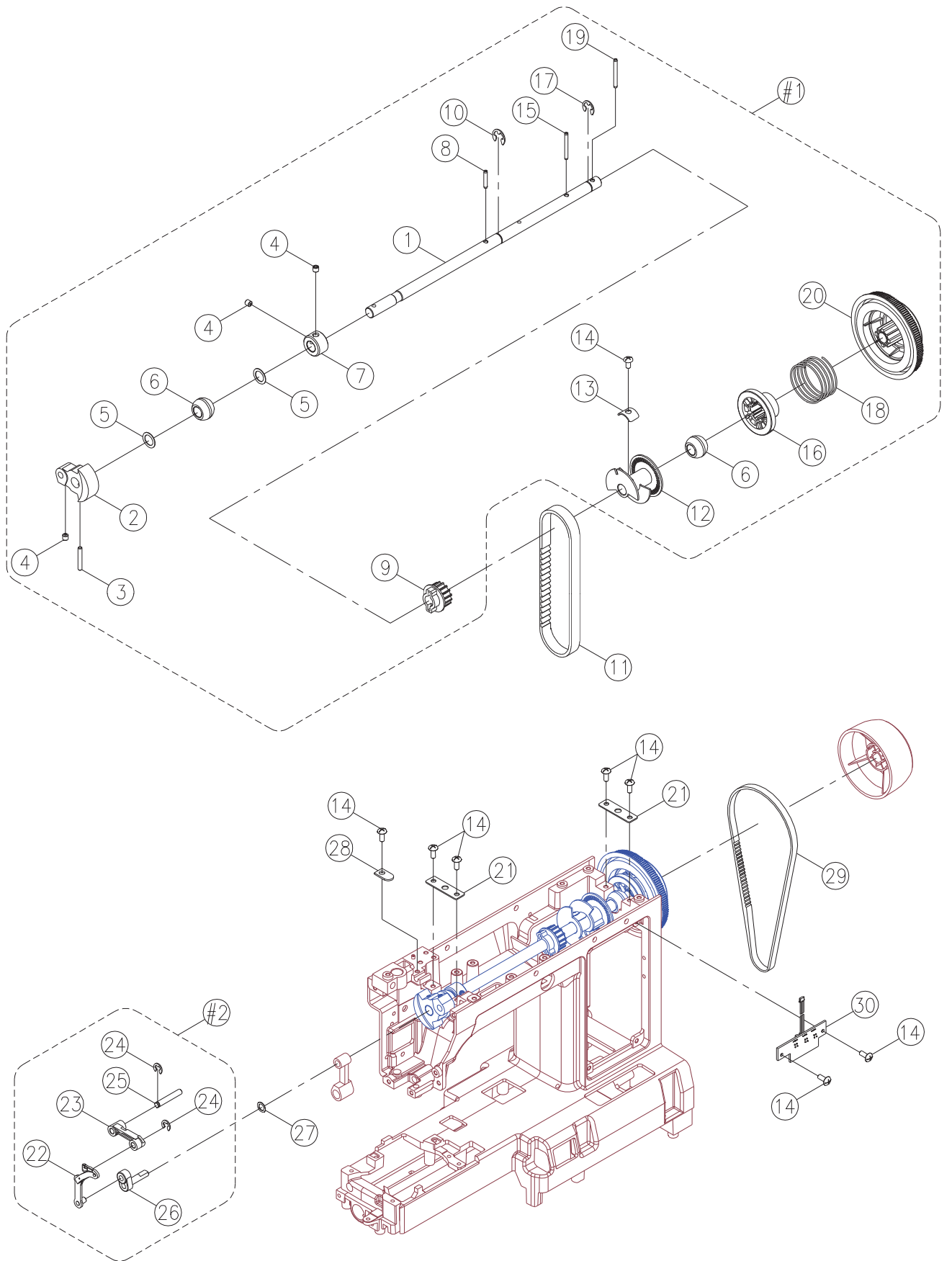


Pos	Part No	Description
1	68015447	FRONT COVER
2	68015448	START/STOP PUSH BUTTON
3	68015449	FUNCTION SELECT KEY
4	68003843	KEY PLATE
5	68013874	SET SCREW (M3x10 A)
6	68003817	SLIDE VOLUME LEVER
7	68003819	SLIDE VOLUME
8		
9	68015450	FRONT PLATE
10	68003825	LCD MAIN CIRCUIT BOARD
11	68018239	ZIGZAG WIDTH/STITCH LENGTH BUTTON
12	68018239	ZIGZAG WIDTH/STITCH LENGTH BUTTON
13	68018397	ZIGZAG WIDTH/STITCH LENGTH BUTTON
14	68018578	ZIGZAG WIDTH/STITCH LENGTH BUTTON
15	68018637	FUNCTION SELECT KEY
16	68015142	ROW LINE
17	68018640	LCD PLASTIC COVER
18	68018642	FRONT FUNCTION PLATE
19	416554101	BOBBIN WINDER
20	68013188	SET SCREW (9/64x4 L□18)
21	416126301	NUT (9/64x40 t=3)
22	416116701	CS RING (CSTW-5)
23	416679501	SET SCREW (M4x8)
24	68009208	CAPS
25	416145101	ARM TOP COVER THREAD GUIDE PLATE
26	416121501	SET SCREW (M4x8 A)
27	68018670	NEEDLE PLATE COVER
28	68018671	BACK COVER
29	68003809	SPOOL PIN BASE
30	416120301	SET SCREW (M3x16.7 B)
31	416804501	THREAD GUIDE
32	416681501	SET SCREW (M3x8.5)
33	416804901	BOBBIN WINDER THREAD GUIDE CPL.
34	68003576	THREAD GUIDE CPL.
35	68016953	TOOTH LEVER ARM
36	416122201	SET SCREW (M4x10 B)
37	416185401	SET SCREW (M4x10 A)
#1	68018673	FRONT COVER CPL.

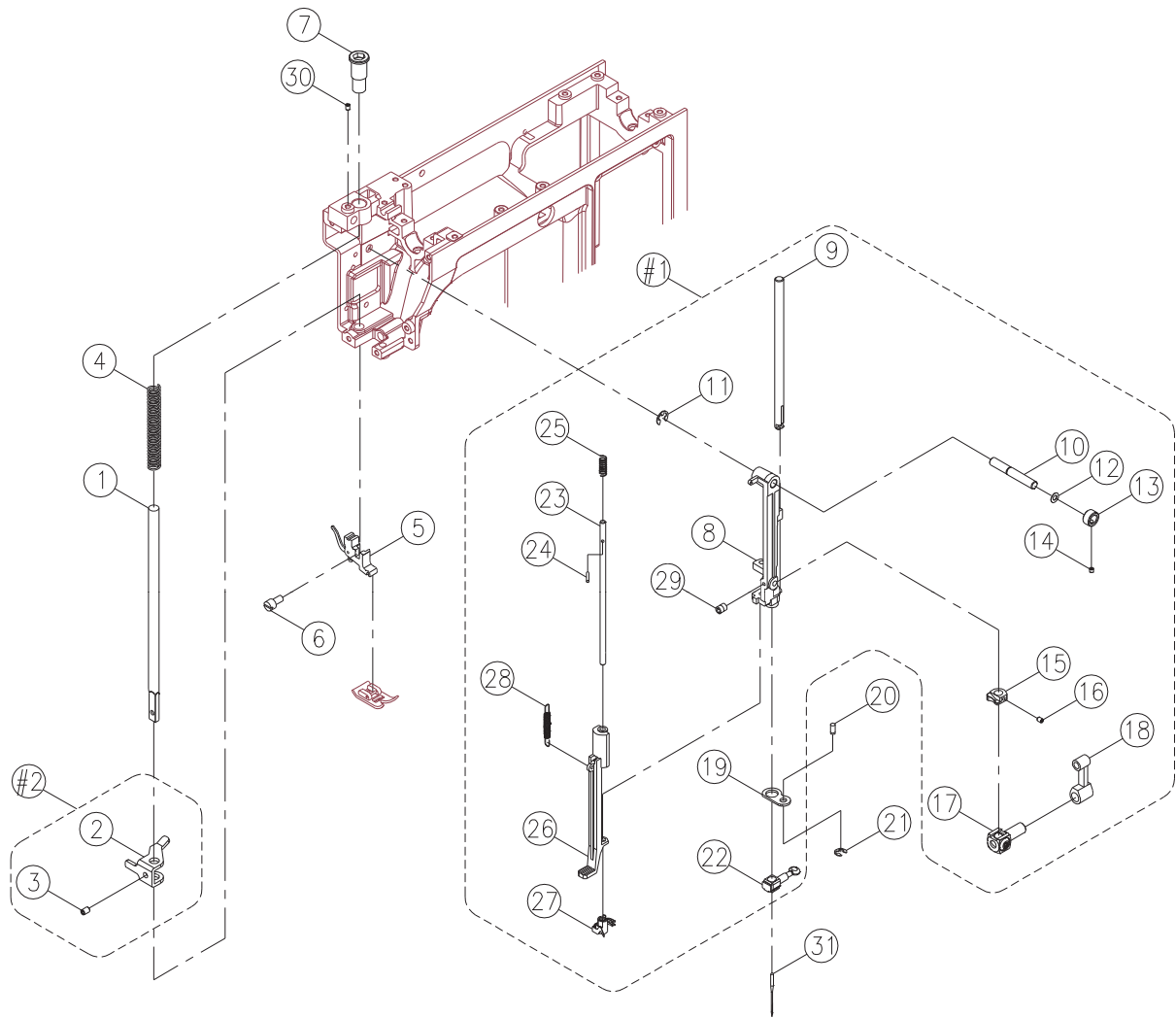
B



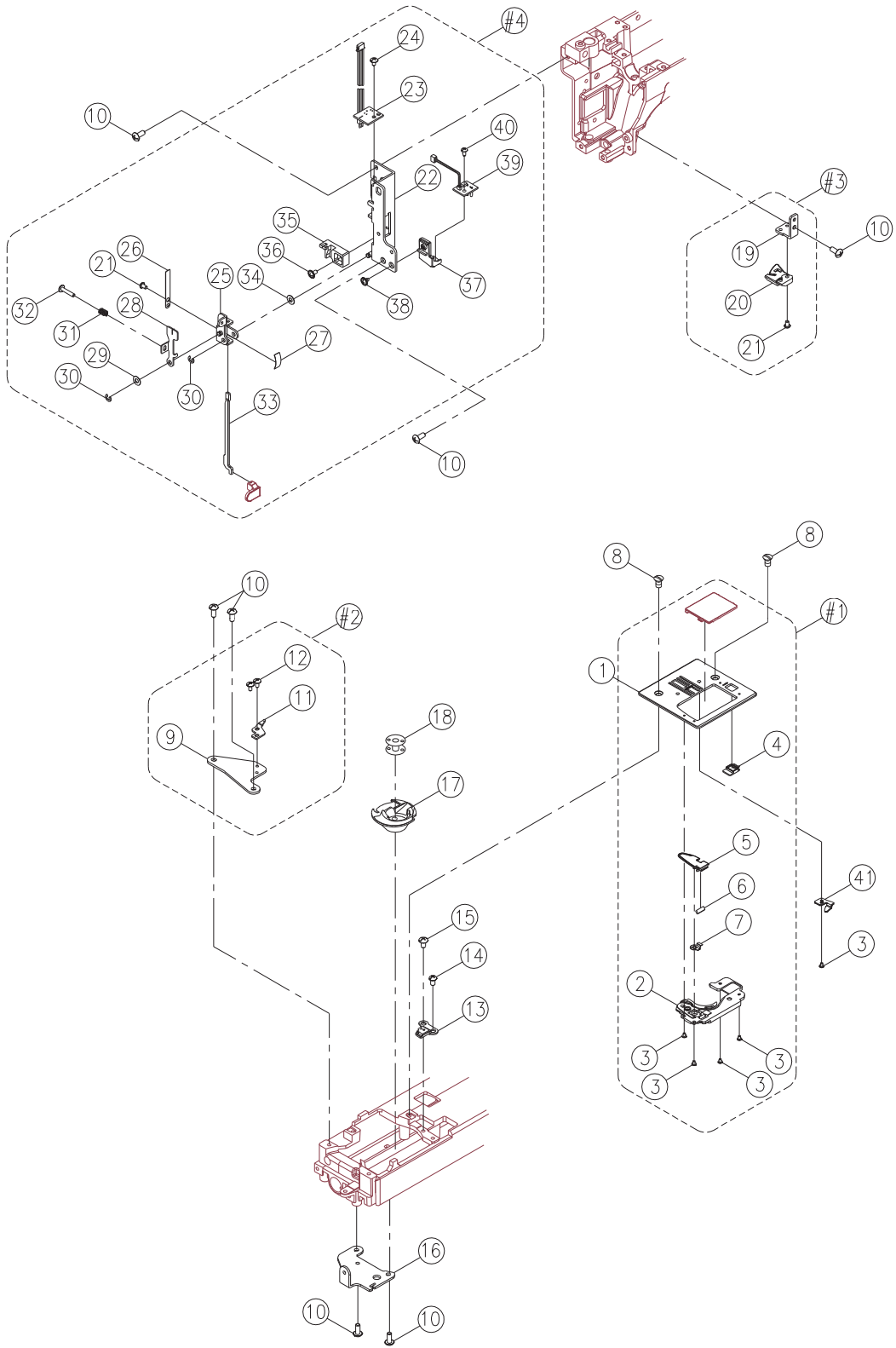
Pos	Part No	Description
1	416528901	HANDLE BRACKET CPL.
2	416121501	SET SCREW (M4x8 A)
3	68018675	HANDLE
4	416500601	PATTERN CLIP
5	68018685	PATTERN PLATE
6	68018692	FACE PLATE
7	412423701	CUTTER
8	416116701	CS-RING (CSTW-5)
9	416523301	SET SCREW (M4x12 A)
10	68018709	DIAL TENSION SUPPORTER PLATE COVER
11	68010960	DIAL TENSION KNOB
12	68018710	HAND WHEEL
13	68018711	MOTOR COVER
14	68018713	FREE ARM BASE
15		CORD REEL COVER (INCLUDED IN #1)
16	68015214	FREE ARM BASE CUSHION
17	68012007	FREE ARM BASE CUSHION RUBBER
18	416716601	SET SCREW (M3x12)
19	416681501	SET SCREW (M3x8.5)
20	416679301	SET SCREW (M5x10)
21	416122201	SET SCREW (M4x10 B)
22		SEWING TABLE BODY (INCLUDED IN #2)
23		SEWING TABLE BODY COVER (INCLUDED IN #2)
24		FELT (INCLUDED IN #2)
25	68013168	SEWING TABLE PLATE
26	68015178	BH LEVER BUTTON
#1	68018714	CORD REEL COVER CPL.
#2	68018715	SEWING TABLE BODY CPL.



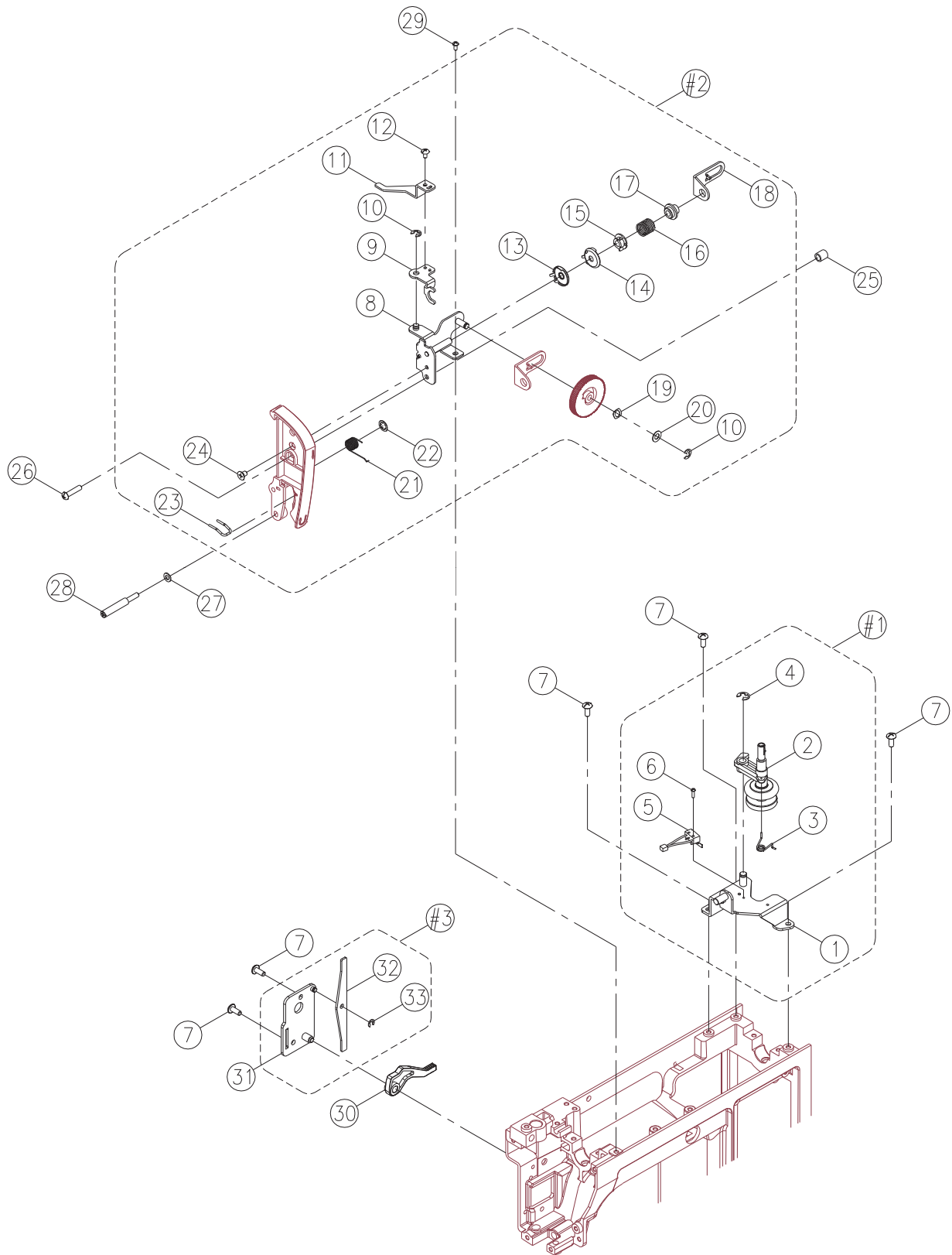
Pos	Part No	Description
1	270 H1A0033000	ARM SHAFT
2	416566401	ARM SHAFT BALANCE
3	416117701	PIN (3.5x24)
4	270 004250203	SET SCREW (M5x5 C)
5	416125101	ENDURE ATTRITION WASHER
6	416156301	ARM SHAFT BUSING
7	416156501	ARM SHAFT COLLAR
8	416117601	SPRING PIN (3x18)
9	416680201	ARM SHAFT SPROCKET
10	416116501	E-RING (ETW-9)
11	416680301	BELT
12	68015222	ROTARY SENSOR COLLAR
13	416133301	ARC WASHER
14	416121501	SET SCREW (M4x8 A)
15	270 003043028	SPRING PIN (3x28)
16	416307201	CLUTCH SLEEVE
17	416680501	E-RING (ETW-8)
18	270 D5A0573003	ARM SHAFT CLUTCH ANNULUS SPRING
19	416680701	SPRING PIN (3x30)
20	416680801	ARM SHAFT DRIVE BELT PULLEY
21	416161701	ARM SHAFT BUSHING HOLDER PLATE
22		THREAD TAKE UP LEVER CPL. (INCLUDED IN #2)
23		THREAD TAKE UP LEVER SUPPORTER. (INCLUDED IN #2)
24	416116001	E-RING (ETW-3)
25	416162201	THREAD TAKE UP LEVER SUPPORTER SHAFT
26	416158001	ARM SHAFT BALANCE PIN CPL.
27	416524701	ENDURE ATTRITION WASHER (6.2 x12 x 0.25)
28	270 H13093003	CARRYING HANDLE SHAFT
29	416685701	BELT
30	68003049	PHOTO SENSOR CPL.
#1	68018716	ARM SHAFT CPL.
#2	68018717	THREAD TAKE UP LEVER CPL.



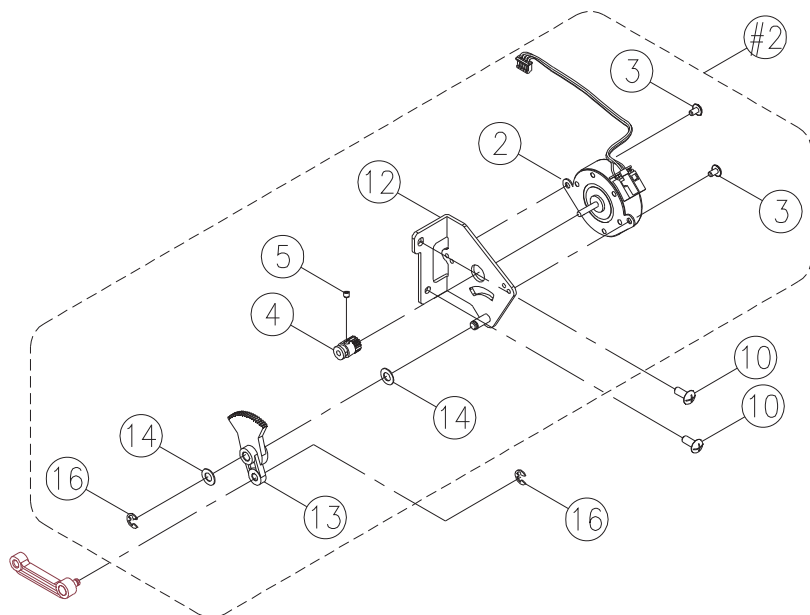
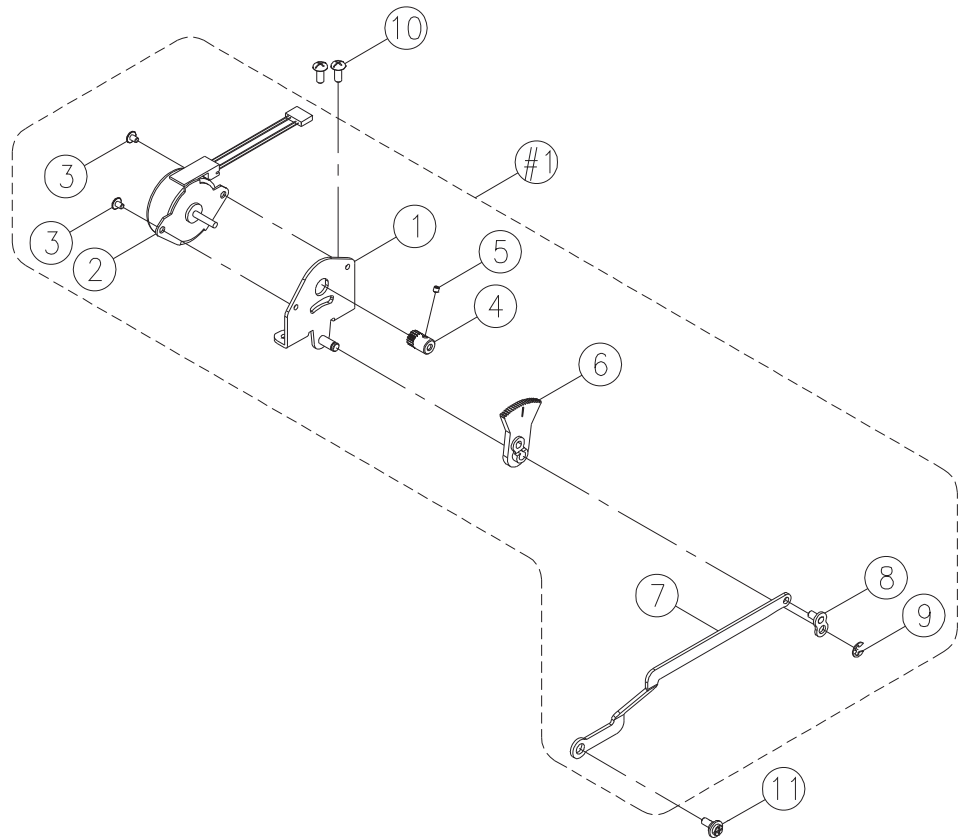
Pos	Part No	Description
1	416173401	PRESSER BAR
2	68013267	PRESSER BAR BRACKET
3	416122101	SET SCREW (M4x6 C)
4	68009173	PRESSER BAR SPRING
5	416128201	SHANK CPL.
6	416118401	SET SCREW (9/64x40x7)
7	68013226	PRESSER BAR REGULATING SCREW
8	416566901	NEEDLE BAR SUPPORTER
9	416173601	NEEDLE BAR
10	416642401	NEEDLE BAR SUPPORTER PIN
11	416116301	E-RING (ETW-5)
12	416227701	WASHER (6.2x12x0.5)
13	68015225	COLLAR
14	416120001	SET SCREW (M3x3 C)
15	68013217	THREADING STOPPER
16	68013218	SET SCREW (M3x4 C)
17	416150801	NEEDLE BAR BRACKET CPL.
18	416235801	NEEDLE BAR CRANK ROD
19	416567001	NEEDLE BAR SUPPORTER
20	68014111	NEEDLE BAR SUPPORTER PLATE PIN
21	416116101	E-RING (ETW-4)
22	416245301	NEEDLE CLAMP CPL.
23	68015230	THREADING SHAFT
24	416117201	AUTO THREADER SHAFT PIN (2x14)
25	68015231	AUTO THREADER SHAFT SPRING
26	270 R10083000	AUTO THREAD LEVER
27	68003556	AUTO THREADER
28	68015232	AUTO THREADED LEVER SPRING
29	416184601	SET SCREW (M3x4 C)
30	416121001	SET SCREW (M4x5 C)
31		NEEDLE
#1	68018718	NEEDLE BAR SUPPORTER CPL.
#2	68015235	PRESSER BAR BRACKET CPL.



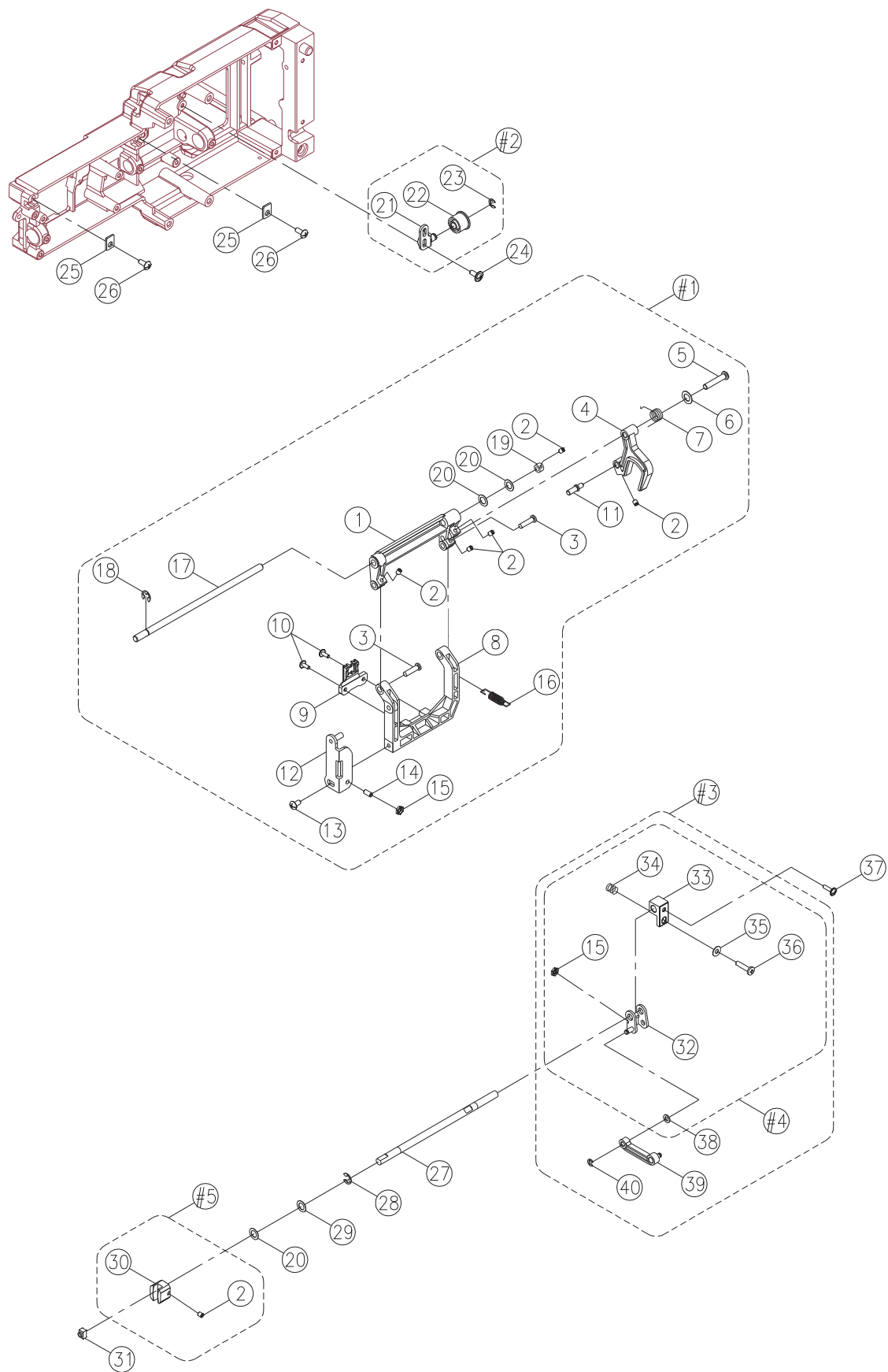
Pos	Part No	Description
1	68003669	NEEDLE PLATE
2	68003729	NEEDLE PLATE SUPPORTER
3	416679801	SET SCREW (M2x3)
4	416155201	NEEDLE PLATE COVER OPEN
5	68015281	THREAD GUIDE STAND
6	412423701	THREAD CUTTER
7	68003570	PRESS PLATE
8	416122901	SET SCREW (M4x6)
9	416687901	ROTARY HOOK PLATE. (SEE #2)
10	416121501	SET SCREW (M4x8 A)
11	416687901	ROTARY HOOK PLATE. (SEE #2)
12	416569401	SET SCREW (M3x4 A)
13	68012459	ROTARY HOOK PLATE (2) CPL.
14	416121201	SET SCREW (M4x6 B)
15	68015283	SET SCREW (M4x6 A)
16	416569501	SUPPORTER
17	416568801	SHUTTLE HOOK ASSEMBLE
18	68000175	BOBBIN
19		THREAD CUTTER HOLDER. (INCLUDED IN #3)
20		THREAD CUTTER BASE CPL. (INCLUDED IN #3)
21	270 004230056	SET SCREW (M3x5 B)
22	68015285	BH LEVER PLATE CPL.
23	416642801	PHOTO SENSOR CPL.
24	416120601	SET SCREW (M3x5 A)
25	68015287	BH LEVER CRANK CPL.
26	68015288	BH LEVER CRANK SPRING
27	416310401	BH SPRING PLATE
28	416569801	PHOTO PLATE
29	270 004300096	WASHER (4x8x0.5)
30	416116001	E-RING (ETW-3)
31	416306901	PULSE SUPPORT SPRING
32	416570101	SET SCREW (M3x16)
33	270 P3C0183002	BH LEVER
34	416185901	WASHER (4.2x9x0.5)
35	416570201	BH MOVEMENT CRANK
36	416119201	SET SCREW (M3x6 A)
37	68009193	LED HOLDER
38	416686701	SET SCREW (M3x5)
39	68009195	LED LIGHT LAMP CPL.
40	416686601	SET SCREW (M3x6 B)
41	68015282	NO SKIPPING PLATE
#1	68018719	NEEDLE PLATE CPL.
#2	416687901	ROTARY HOOK PLATE CPL.
#3	68018720	THREAD CUTTER CPL.
#4	68015290	BH LEVER PLATE CPL.



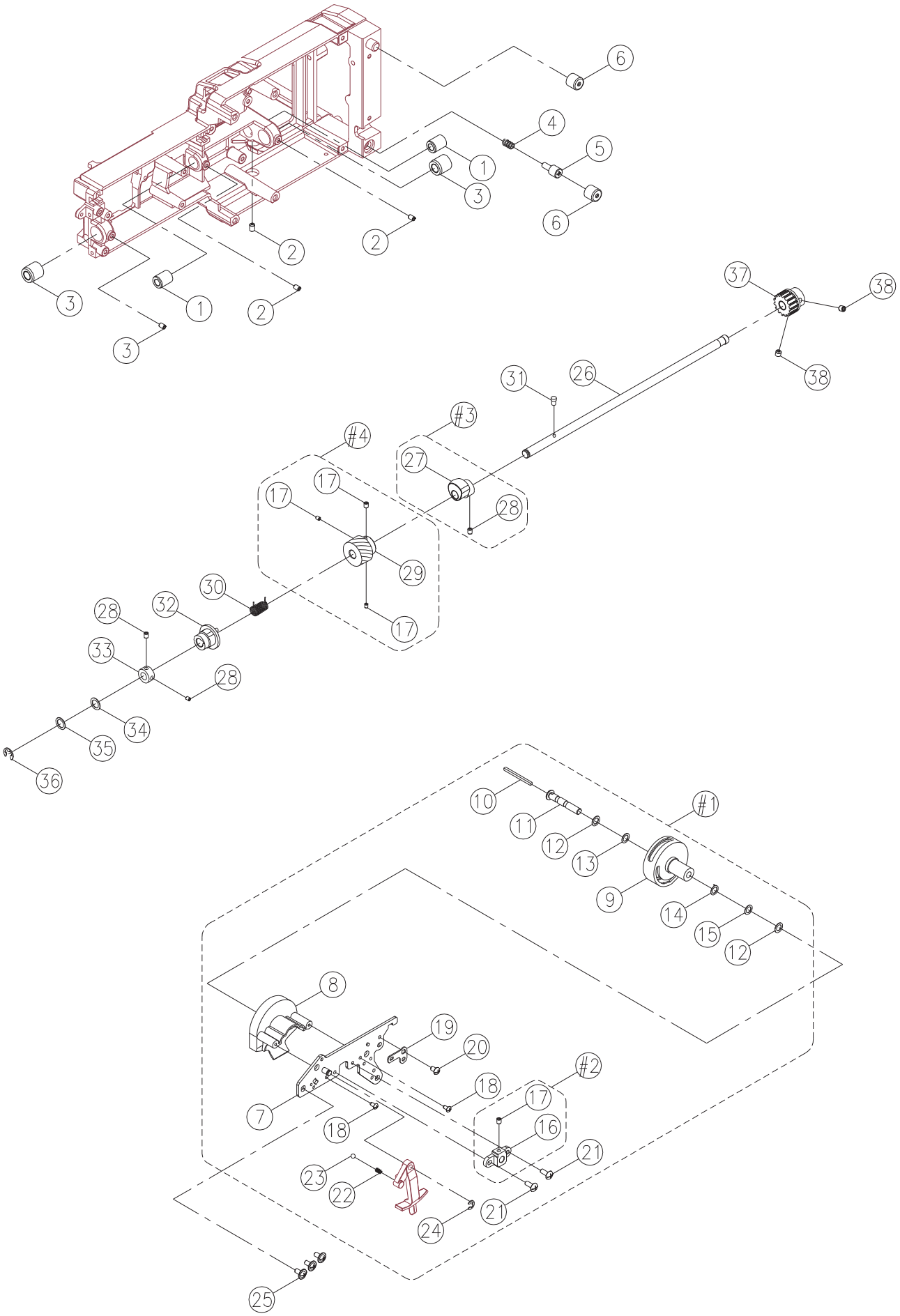
Pos	Part No	Description
1	68015291	BOBBIN WINDER FRAME PLATE CPL.
2	416700601	BOBBIN WINDER CRANK CPL.
3	270 K6A0573003	BOBBIN WINDER CRANK SPRING
4	416116301	E-RING (ETW-5)
5	416480101	MICRO SWITCH
6	416119101	SET SCREW (M2x0.4x7.5)
7	416121501	SET SCREW (M4x8 A)
8	68015292	DIAL TENSION SUPPORTER PLATE CPL.
9	68015293	DIAL TENSION WAFT PLATE
10	416116101	E-RING (ETW-4)
11	68015294	DIAL TENSION WAFT TRIMMING PLATE
12	68015295	SET SCREW (M3x0.5x5 A)
13	416153601	DIAL TENSION DISC (1)
14	416146301	DIAL TENSION DISC
15	416412001	DIAL TENSION SPRING REGULATOR
16	416772201	DIAL TENSION SPRING
17	416153801	DIAL TENSION REGULATOR
18	416162501	DIAL TENSION SPRING PLATE
19	416126001	WASHER (5.4x9x1.5x0.3)
20	416124501	WASHER (5.2x10x0.5)
21	68015297	THREAD GUIDE SPRING
22	416116701	CS-RING (CSTW-5)
23	416198701	THREAD GUIDE
24	416121901	SET SCREW (M4x6 D)
25	416151701	DIAL TENSION GUIDE SPRING TUBE
26	416121701	SET SCREW (M4x15 B)
27	416186401	WASHER (4.1x8x1)
28	416123001	SET SCREW (M4x14 L=37)
29	416121201	SET SCREW (M4x6 B)
30	68003659	PRESSER BAR LIFTER LEVER
31	68013272	CLAMP PLATE
32	68013273	TENSION LEVER LIFTER
33	416116001	E-RING (ETW-3)
#1	416644001	BOBBIN WINDER CPL.
#2	68018721	DIAL TENSION CPL.
#3	68015299	CLAMP PLATE CPL.



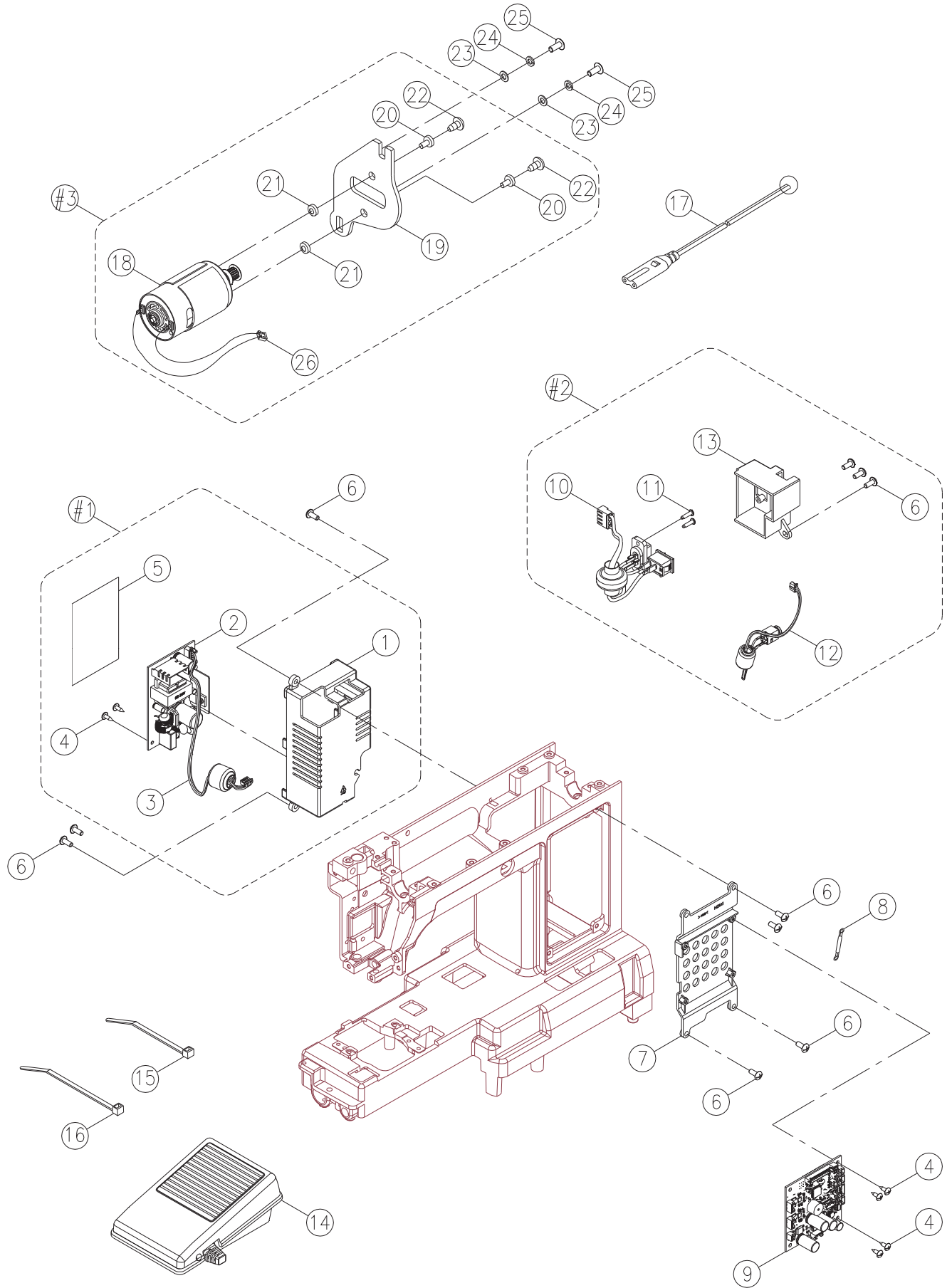
Pos	Part No	Description
1	68015300	ZIGZAG PULSE MOTOR PLATE CPL.
2		PULSE MOTOR (INCLUDED IN #1 AND #2)
3	68015301	SET SCREW (M3x3.5 A)
4	68015302	PULSE MOTOR GEAR
5	416120001	SET SCREW (M3x3 C)
6	68015303	ZIGZAG CRANK GEAR
7	416567101	NEEDLE BAR DRIVING ROD
8	270 P3C0123002	NEEDLE BAR DRIVING ROD PLATE
9	416116201	E-RING (ETW-4)
10	416121501	SET SCREW (M4x8 A)
11	416801101	NEEDLE BAR DRIVING ROD PIN
12		PULSE SUPPORT PLATE CPL. (INCLUDED IN #2)
13	270 P3C0243000	FEED CRANK SHAFT GEAR
14	416186201	WASHER (5.2x10x0.2)
15	416116101	E-RING (ETW-4)
16	416116001	E-RING (ETW-3)
#1	68015306	ZIGZAG PULSE MOTOR PLATE CPL.
#2	68018727	PULSE SUPPORT PLATE CPL.



Pos	Part No	Description
1	416570501	FEED ROCK SHAFT
2	416122401	SET SCREW (M4x4 C)
3	416192101	FEED DOG SHAFT
4	416192401	FEED ROCK CRANK
5	416192501	FEED ROCK SHAFT
6	416186301	WASHER (5.2x12x1)
7	416195701	FEED ROCK CRANK SPRING
8	416192001	FEED DOG SUPPORTER
9	416498501	FEED DOG
10	270 004235016	SET SCREW (M3.5x8 A)
11	416631301	REGULATING BLOCK SHAFT
12	416192301	FEED LIFTING ROCK CRANK
13	416121501	SET SCREW (M4x8 A)
14	416185501	SET SCREW (M4x0.7 L9)
15	68015308	ADJUSTING NUT (ALN-4)
16	68003066	FEED DOG SPRING
17	416570701	FEED ROCK SHAFT
18	416116301	E-RING (ETW-5)
19	416572301	FEED COLLAR
20	416125601	ENDURE ATTRITION WASHER (6.7x11.8x0.5)
21	416683801	BELT ADJUSTING PLATE
22	416683901	BELT ADJUSTING PLATE PULLEY
23	416116101	E-RING (ETW-4)
24	416679501	SET SCREW (M4x8)
25	68001430	SET WASHER
26	416523301	SET SCREW (M4x12 A)
27	270 H1A0203000	FEED REGULATING SHAFT
28	416116301	E-RING (ETW-5)
29	416124001	WASHER (6.7x12x1)
30	416356501	FEED REGULATING
31	416356601	FEED REGULATING BLOCK
32	416134701	FEED REGULATING CRANK (2)
33	416631501	FEED REGULATING CRANK (1)
34	416571701	FEED REGULATING CRANK SPRING
35	416595801	WASHER (4.2x10x0.5)
36	416123401	SET SCREW (M4x18)
37	416595701	SET SCREW (M3x12)
38	416124101	WASHER (4.2x8x0.8)
39	416136101	FEED ROCK ROD
40	416116001	E-RING (ETW-3)
#1	68015314	FEED ROCK SHAFT CPL.
#2	416633601	BELT ADJUSTING PLATE CPL.
#3	68015316	FEED REGULATING CRANK CPL.
#4	68015316	FEED REGULATING CRANK CPL.
#5	270 D3A1674000	FEED REGULATING CPL.

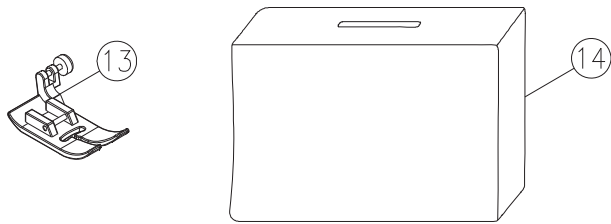
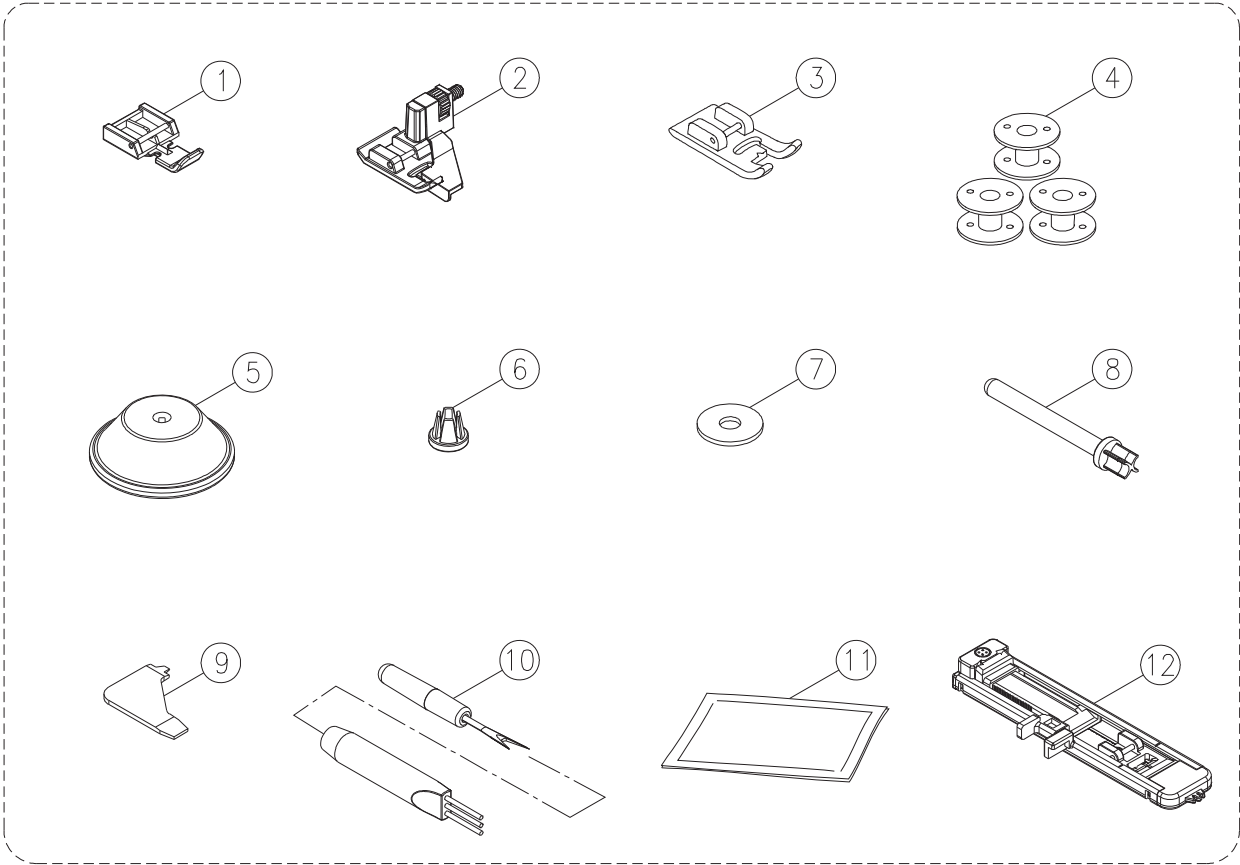


Pos	Part No	Description
1	416570501	FEED ROCK SHAFT
2	416122401	SET SCREW (M4x4 C)
3	416192101	FEED DOG SHAFT
4	416192401	FEED ROCK CRANK
5	416192501	FEED ROCK SHAFT
6	416186301	WASHER (5.2x12x1)
7	416195701	FEED ROCK CRANK SPRING
8	416192001	FEED DOG SUPPORTER
9	416498501	FEED DOG
10	270 004235016	SET SCREW (M3.5x8 A)
11	416631301	REGULATING BLOCK SHAFT
12	416192301	FEED LIFTING ROCK CRANK
13	416121501	SET SCREW (M4x8 A)
14	416185501	SET SCREW (M4x0.7 L9)
15	68015308	ADJUSTING NUT (ALN-4)
16	68003066	FEED DOG SPRING
17	416570701	FEED ROCK SHAFT
18	416116301	E-RING (ETW-5)
19	416572301	FEED COLLAR
20	416125601	ENDURE ATTRITION WASHER (6.7x11.8x0.5)
21	416683801	BELT ADJUSTING PLATE
22	416683901	BELT ADJUSTING PLATE PULLEY
23	416116101	E-RING (ETW-4)
24	416679501	SET SCREW (M4x8)
25	68001430	SET WASHER
26	416523301	SET SCREW (M4x12 A)
27	270 H1A0203000	FEED REGULATING SHAFT
28	416116301	E-RING (ETW-5)
29	416124001	WASHER (6.7x12x1)
30	416356501	FEED REGULATING
31	416356601	FEED REGULATING BLOCK
32	416134701	FEED REGULATING CRANK (2)
33	416631501	FEED REGULATING CRANK (1)
34	416571701	FEED REGULATING CRANK SPRING
35	416595801	WASHER (4.2x10x0.5)
36	416123401	SET SCREW (M4x18)
37	416595701	SET SCREW (M3x12)
38	416124101	WASHER (4.2x8x0.8)
39	416136101	FEED ROCK ROD
40	416116001	E-RING (ETW-3)
#1	68015314	FEED ROCK SHAFT CPL.
#2	416633601	BELT ADJUSTING PLATE CPL.
#3	68015316	FEED REGULATING CRANK CPL.
#4	68015316	FEED REGULATING CRANK CPL.
#5	270 D3A1674000	FEED REGULATING CPL.



Pos	Part No	Description
1	416643201	HF TRANSFORMER BOX
2	68003767	HF TRANSFORMER CPL.
3	416643402	HF TRANSFORMER WIRE FOR 120V
3	416643401	HF TRANSFORMER WIRE FOR 220V~240V
4	416681501	SET SCREW (M3x8.5)
5	270 008H1A0027	SMPS INSULATING SLICE
6	416121501	SET SCREW (M4x8 A)
7	68018728	FRAME OF MAIN CIRCUIT BOARD
8	416687301	GROUND CONNECTION
9	68003771	MAIN CIRCUIT BOARD
10	68009203	SWITCH RECEPTACLE ASS'Y FOR 120V
10	68009202	SWITCH RECEPTACLE ASS'Y FOR 220V~240V
11	270 004230326	SET SCREW (M3x12 B)
12	416685401	CONTROLLER RECEPTACLE FOR 120V
12	68020225	CONTROLLER RECEPTACLE FOR 220V~240V
13		RECEPTACLE HOLDER (INCLUDED IN #2)
14	68011738	FOOT CONTROLLER
15	416113901	CORD CLIP
16	416115501	CORD CLIP (L=20)
17	412157903	POWER CORD CPL. FOR 120V / U.S.A
17	412157801	POWER CORD CPL. FOR 230V / EU.
17	412158002	POWER CORD CPL. FOR 240V / G.B.
18	68003801	DC MOTOR
19	270 H1A0303006	MOTOR BRACKET
20	416419001	INSULATION SPACER
21	416418901	INSULATION SPACER
22	416120201	SET SCREW (M3x10)
23	416124301	WASHER (5.4x10x0.9)
24	416126201	SPRING WASHER (5.2x9x1)
25	416224801	SET SCREW (M5x12)
26	416572801	DC MOTOR LEAD CORD
#1	68018729	HF TRANSFORMER BOX CPL. FOR 120V
#1	68018730	HF TRANSFORMER BOX CPL. FOR 220V~240V
#2	68018731	RECEPTACLE HOLDER CPL. FOR 120V
#2	68018732	RECEPTACLE HOLDER CPL. FOR 220V~240V
#3	68003052	DC MOTOR CPL.

#1



<u>Pos</u>	<u>Part No</u>	<u>Description</u>
1	416128701	ZIPPER FOOT (I)
2	416437101	BLIND HEM FOOT (F)
3	416437201	SATIN STITCH FOOT (A)
4	68000175	BOBBIN
5	68003700	SPOOL HOLDER (LARGE)
6	68003701	SPOOL HOLDER (SMALL)
7	416127301	SPOOL PIN FELT
8	68003702	SECOND SPOOL PIN
9	68000177	L-SCREWDRIVER
10	416127701	BRUSH/ SEAM RIPPER
11		NEEDLE
12	270 006H1A0004	BUTTONHOLE FOOT
13	416127501	ALL PURPOSE FOOT
14	68015339	DUST COVER CPL.
#1	68015340	ACCESSORY CPL.