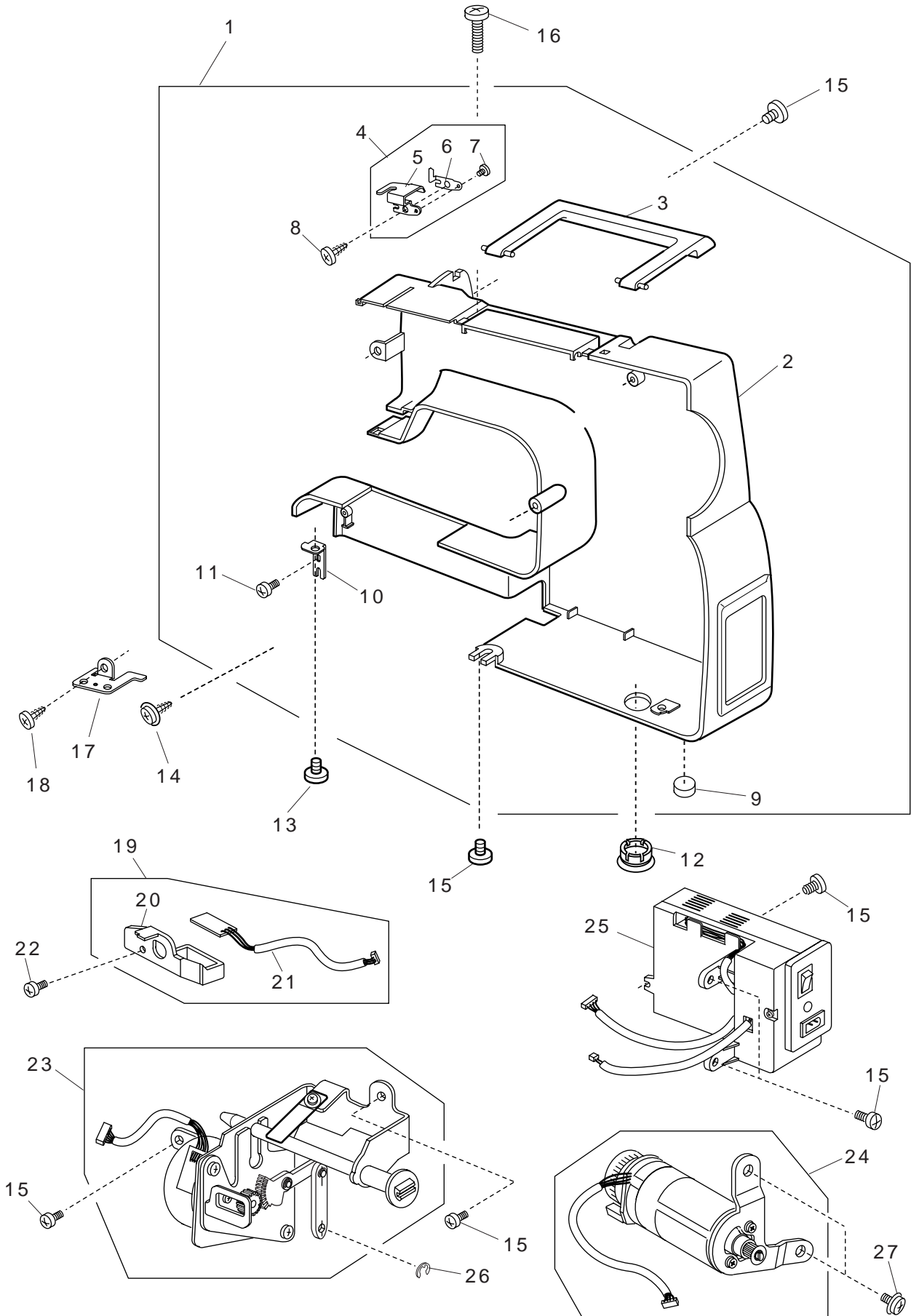
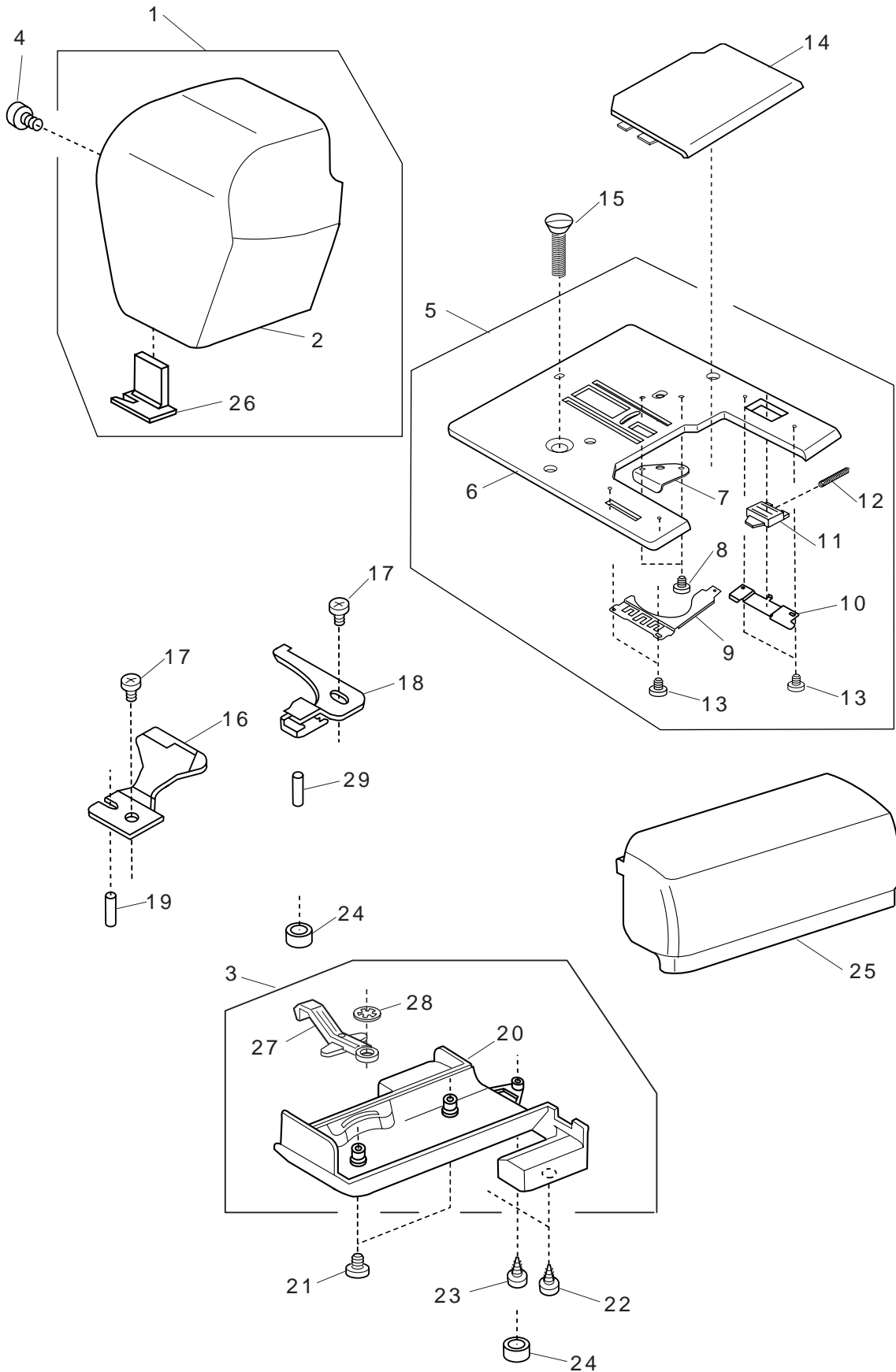


PARTS LIST

JP760

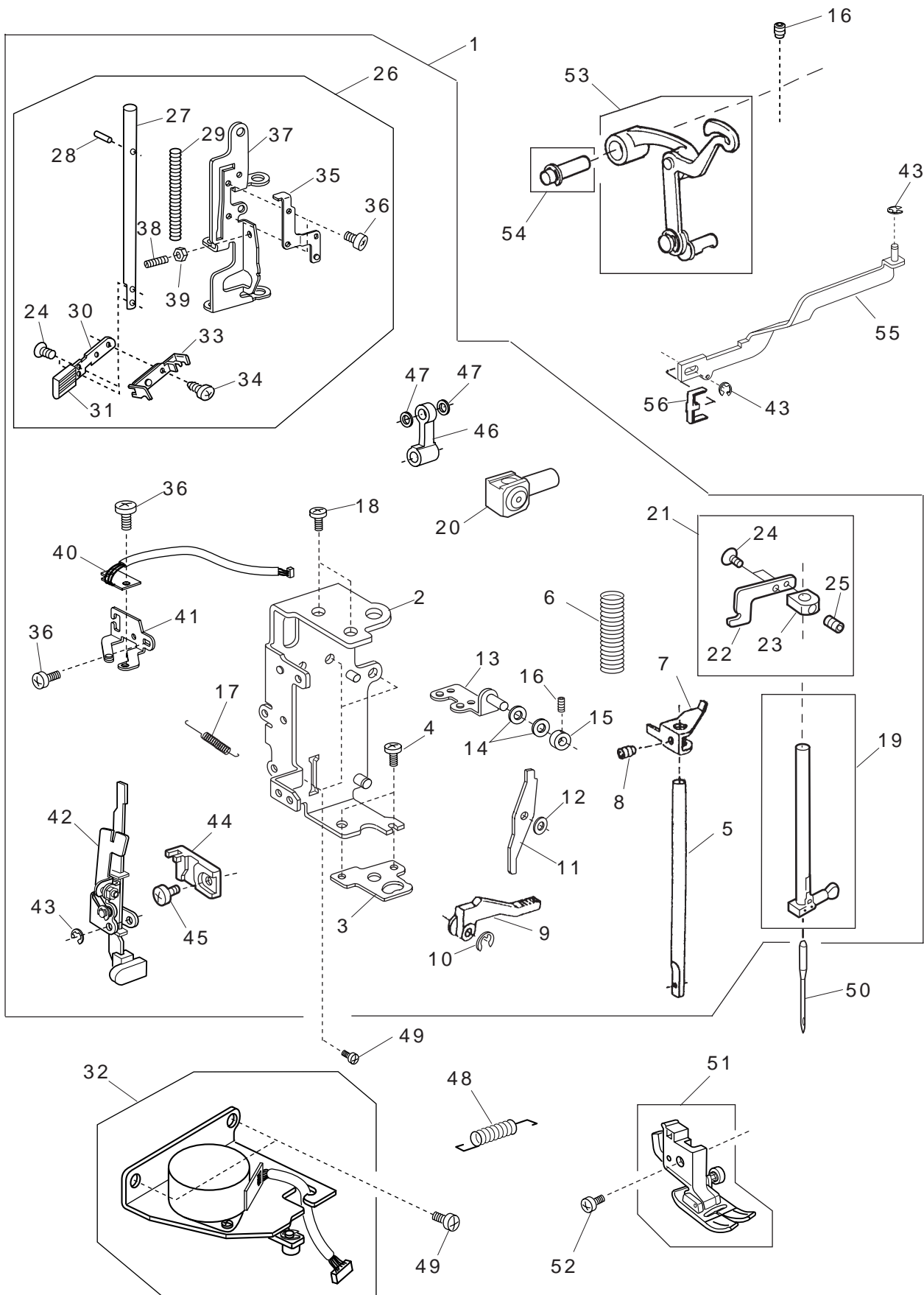


NO.	PART NO.	DESCRIPTION
1	806601009	Rear cover unit
2	806001106	Rear cover
3	661010000	Handle
4	660618001	Thread guide unit
5	660046002	Thread guide
6	660047003	Spring
7	820374004	Setscrew 2 × 2.3
8	000107905	Setscrew 3 × 6 (B)
9	806002004	Rubber foot
10	827006003	Rear cover set plate
11	000161103	Setscrew 3 × 6 (B)
12	733003202	Cap
13	000081119	Setscrew 4 × 6
14	000149507	Setscrew 3 × 12
15	000081005	Setscrew 4 × 8
16	000103510	Setscrew 4 × 10
17	661012002	Handle set plate
18	000198604	Setscrew 4 × 14 (B)
19	806610001	Printed circuit board L unit
20	806032003	L board cover
21	806506003	Printed circuit board L unit
22	000115607	Setscrew 4 × 8
23	806605003	Stepping moter (Feed) unit
24	806611002	Driving motor unit
25	806505002	Switching regulator unit (120V)
	806505105	Switching regulator unit (220V ~ 240V)
26	000002105	Snap ring E-3
27	000115504	Setscrew 5 × 10



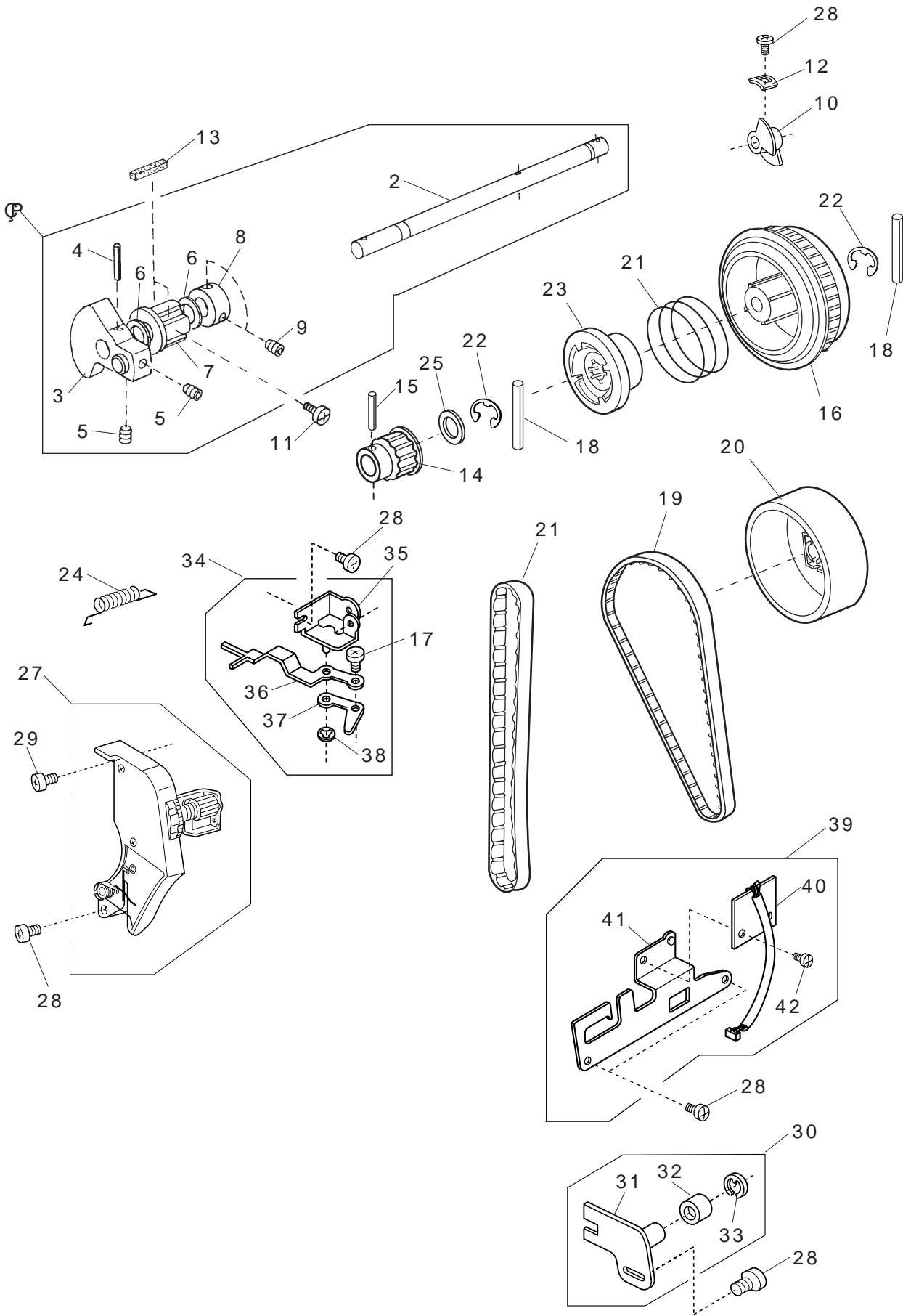
NO.	PART NO.	DESCRIPTION
1	806602000	Face cover unit
2	806004109	Face cover
3	661609002	Bed cover unit
4	000105419	Setscrew 4 × 20
5	751603307	Needle plate unit
6	653179209	Needle plate
7	654078004	Bobbin holder set plate
8	820373003	Setscrew 2 × 3
9	832235010	Hook cover set plate (Left)
10	825015010	Hook cover set plate (Right)
11	825016000	Hook cover release button
12	825017001	Hook cover release button spring
13	820374004	Setscrew 2 × 2.3
14	750036012	Hook cover plate
15	681009101	Setscrew
16	827011001	Reverse stopper
17	810220003	Setscrew
18	627567001	Stopper unit
19	000122504	Pin D3 × 10CH
20	660006033	Bed cover
21	000101703	Setscrew 4 × 12
22	000120203	Setscrew 3 × 8 (B)
23	000121905	Setscrew 4 × 12 (B)
24	739064003	Rubber foot base
25	806003005	Extension table unit
26	840602006	Thread cutter unit
27	753005000	Drop feed lever
28	000013903	Snap ring CS-5
29	000122700	Pin D2.5 × 6-LC

Jem platinum 760



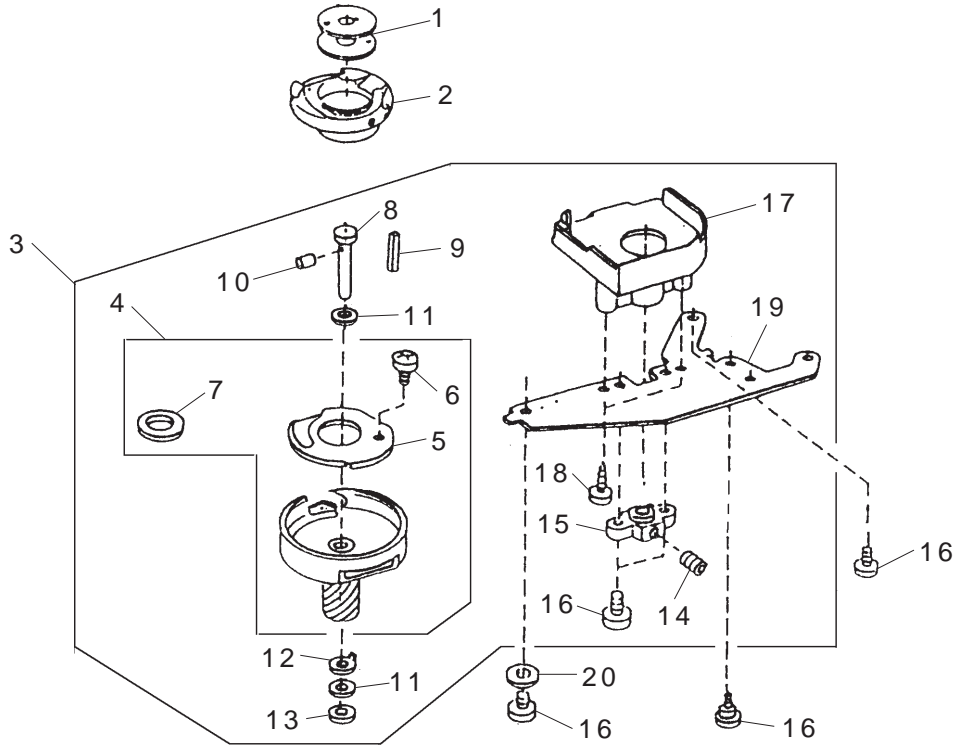
NO.	PART NO.	DESCRIPTION
1	806603001	Presser bar plate unit
2	806005007	Presser bar plate unit
3	660105000	Needle drop positioning plate
4	000101507	Setscrew 3.5 × 5
5	660070005	Presser bar
6	735027002	Presser bar spring
7	735028003	Presser bar bracket
8	000111500	Hexagonal socket screw 4 × 8
9	735029004	Presser foot lifter
10	000001609	Snap ring E-5
11	639012003	Tension release lever
12	000013903	Snap ring CS-5
13	660068000	Supporter adjusting plate
14	000036500	WasherFT60
15	650136009	Ring
16	000111201	Hexagonal socket screw 4 × 4
17	639110002	Supporter spring (2)
18	000101404	Setscrew 4 × 6
19	660620109	Needle bar unit
20	301504001	Needle bar connection stud unit
21	734625106	Threader positioning plate unit
22	660052001	Threader positioning plate
23	734102009	Threader positioning holder
24	000097602	Setscrew 2 × 4
25	000111902	Hexagonal socket screw 3 × 4
26	660637109	Needle threader unit
27	660012009	Threader shaft
28	000122906	Pin E- 2 × 14
29	639125000	Threader spring
30	660069001	Threader lever
31	734097000	Threader lever knob
32	806607005	Stepping motor (Zigzag) unit
33	734515009	Needle threader plate (unit)
34	000105501	Setscrew 1.6 × 2.5
35	660065007	Zigzag rod guide
36	000101105	Setscrew 3 × 4
37	660064202	Needle bar supporter
38	648010009	Setscrew
39	000160102	Nut
40	843502200	Circuit board EI unit
41	806006008	Sensor bracket
42	843625303	BH lever unit
43	000002105	Snap ring E-3
44	830057010	BH lever guide
45	000103808	Setscrew 3 × 5
46	639016007	Needle bar crank rod
47	000036902	Washer FT80
48	806008000	Supporter spring
49	000081005	Setscrew 4 × 8
50	102408089	Needle HA1-14
51	755506002	Presser foot unit
52	660106001	Setscrew
53	660510013	Thread take-up lever unit
54	731511006	Thread take-up lever pin
55	806021009	Zigzag rod
56	639098003	Zigzag rod set plate

Jem platinum 760

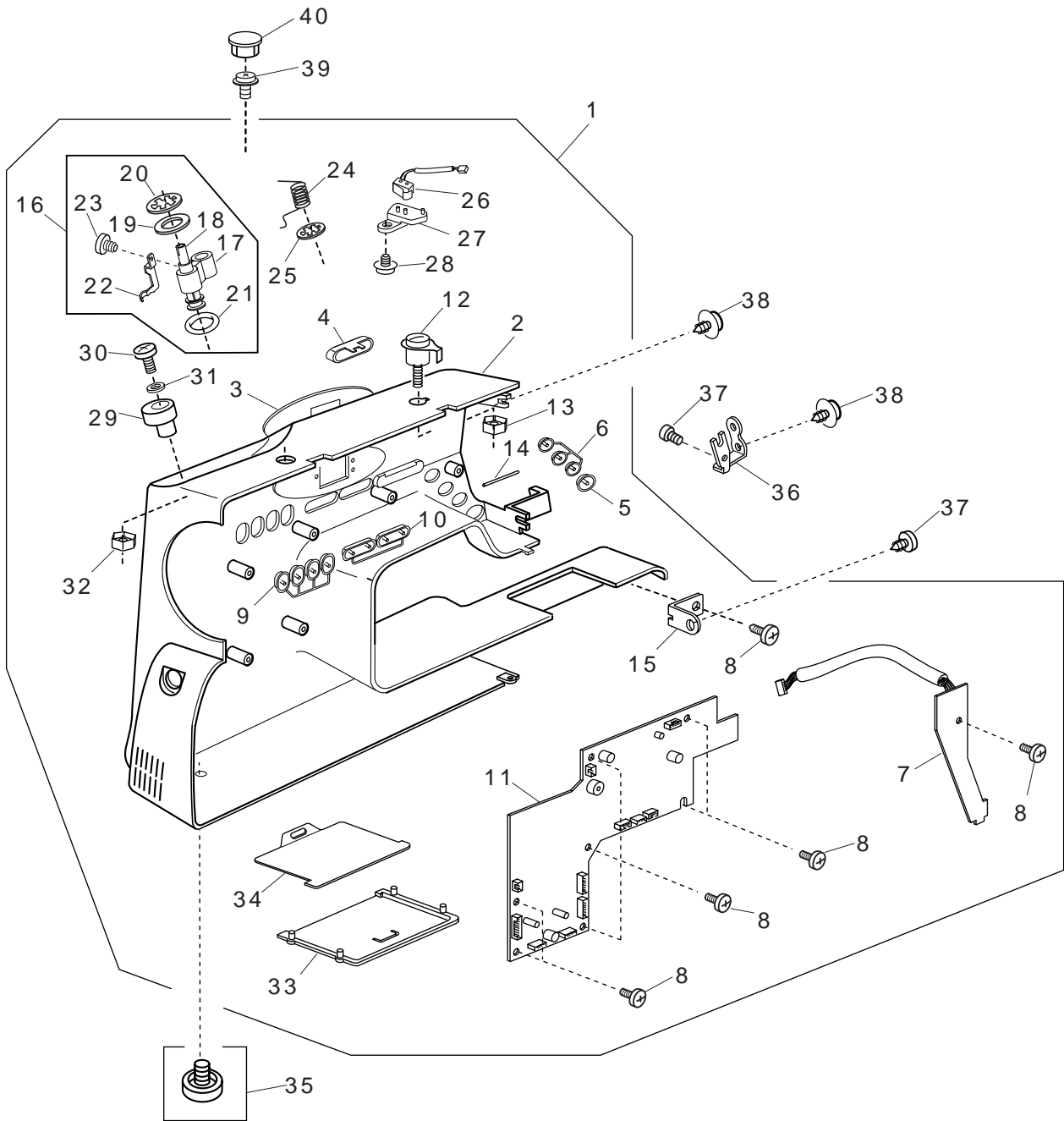


NO.	PART NO.	DESCRIPTION
1	661616105	Upper shaft unit
2	661022108	Upper shaft
3	660016003	Thread take up lever crank
4	000021708	Spring pin 4 × 22
5	000110901	Hexagonal socket screw 5 × 4
6	000036717	Washer FT102
7	829042007	Upper shaft bushing (Front)
8	639095000	Ring
9	000111304	Hexagonal socket screw 5 × 5
10	806010005	Upper shaft shield plate
11	000101301	Setscrew 5 × 10
12	820102009	Washer
13	731384008	Felt
14	660103008	Upper shaft timing gear
15	000020501	Spring pin 3 × 22
16	661019009	Belt wheel
17	000103808	Setscrew 3 × 5
18	000024206	Spring pin 3 × 30
19	653139023	Timing belt
20	844077008	Hand wheel
21	661024007	Clutch spring
22	000002909	Snap ring E-7
23	661020003	Clutch ring
24	639026000	Spring
25	639119001	Felt
26	660017015	Timing belt
27	806501008	Thread tension unit
28	000081005	Setscrew 4 × 8
29	810220003	Setscrew
30	660609009	Idler unit
31	660018005	Idler base
32	625217100	Idler
33	000002806	Snap ring E-6
34	661603006	Thread tension bracket unit
35	661004001	Thread tension bracket
36	639024008	Thread tension releasing arm
37	639025009	Adjusting arm
38	000013903	Snap ring CS-5
39	806609007	Upper shaft sensor unit
40	843505502	Circuit board P
41	806031002	Upper shaft sensor set plate
42	000101105	Setscrew 3 × 4

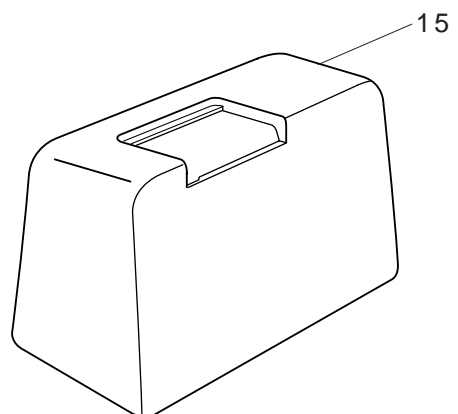
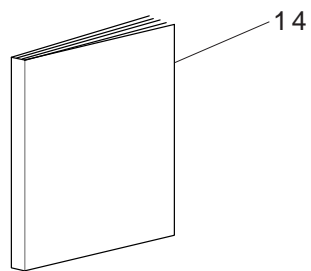
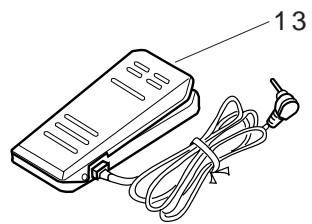
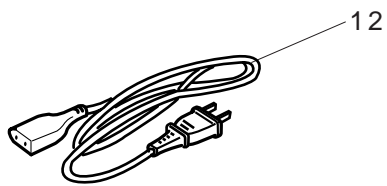
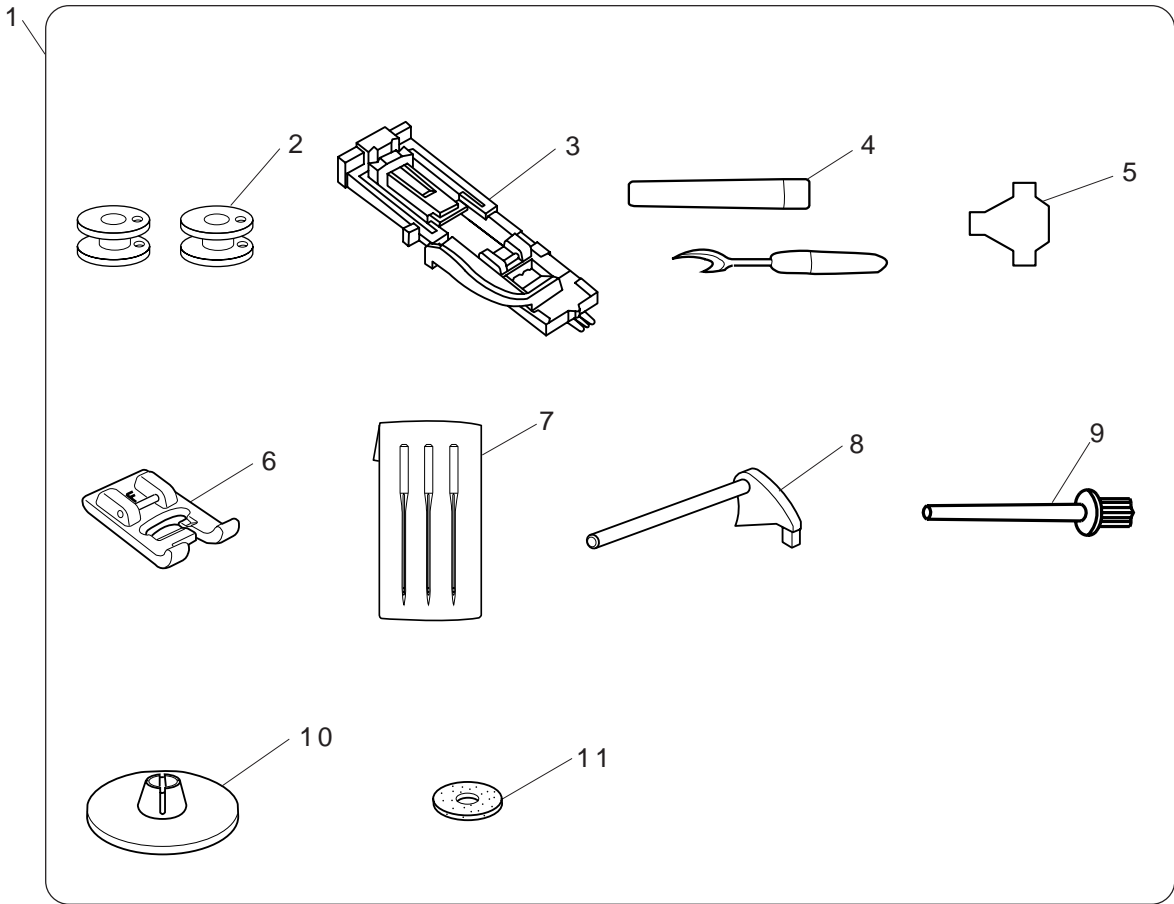
NO.	PART NO.	DESCRIPTION
1	751666401	Feed shaft unit
2	653193003	Feed dog
3	000104005	Setscrew 3.5 x 8
4	650085002	Feed bar spring
5	749024002	Straight center pin
6	000111304	Hexagonal socket screw 5 x 5
7	650612004	Feed regulator unit
8	820387000	Ring
9	806604002	Feed shaft unit
10	806011006	Feed arm (1)
11	625144002	Feed shaft bushing (front)
12	650092002	Feed shaft bushing (rear)
13	000111201	Hexagonal socket screw 4 x 4
14	650175000	Cushion
15	660610106	Lower shaft unit
16	751148000	Feed cam
17	000115009	TP screw 3 x 8
18	650076000	Lower shaft gear
19	753183025	Feed lifting cam
20	686035008	Feed lifting cam spring
21	000038502	Washer
22	820166001	Ring
23	735143005	Felt
24	650078002	Lower shaft bushing (front)
25	650079003	Lower shaft bushing (rear)
26	825261002	Feed arm (2)
27	000115906	TP screw 3 x 12
28	810207004	Spring washer
29	589040002	BH feed adjusting spring
30	827086007	Feed arm screw
31	000160102	Adjustable nut 4
32	000071013	Washer
33	660023106	Feed shaft
34	000036407	Washer
35	820161006	Feed lifting pin



NO.	PART NO.	DESCRIPTION
1	102261000	Bobbin
2	627569106	Bobbin holder unit
3	827614033	Hook unit
4	650623008	Hook race unit
5	627191000	Hook race bottom plate
6	820374004	Setscrew 2 x 2.3
7	627190010	Hook race magnet
8	820123006	Hook shaft
9	820124007	Oil wick (1)
10	820125008	Oil wick (2)
11	000038409	Washer
12	627192001	Hook shaft washer
13	625102008	Washer
14	000111304	Hexagonal socket screw 5 x 5
15	650094004	Hook shaft base
16	000081005	Setscrew 4 x 8
17	827040009	Hook race cover
18	000107204	Setscrew 3 x 12 (B)
19	823106002	Hook bracket
20	000070506	Plain washer



NO.	PART NO.	DESCRIPTION
1	806608006	Front cover unit
2	806022103	Front cover
3	806023001	Indicator window
4	806024002	Slide volume unit
5	806025106	Start/Stop button
6	806026107	Button (1)
7	806503000	Circuit board F unit
8	000120203	Setscrew 3 x 8 (B)
9	806027108	Button (2)
10	806028109	Button (3)
11	806504001	Circuit board A unit
12	730501206	Thread guide unit
13	000160102	Adjustable nut 4
14	806029007	Thread guide
15	827069004	Front cover set plate (Bottom))
16	661605101	Bobbin winder unit
17	639076108	Bobbin winder
18	661007004	Bobbin winder spindle
19	000036902	Washer
20	000014409	Snap ring CS-8
21	639078007	Bobbin winder rubber
22	661021004	Clutch lever
23	000078319	Setscrew 3 × 6
24	661025008	Bobbin winder arm spring
25	000013903	Snap ring CS-5
26	652520077	Micro switch unit
27	660091002	Switch set plate
28	000109103	Setscrew 4 × 12
29	652016101	Bobbin winder stopper
30	000101828	Setscrew 4 × 16
31	000071013	Plain washer
32	000061205	Nut 4-3-7
33	806038009	Chart case
34	806039103	Chart panel
35	639613000	Rubber foot unit
36	806030001	Front cover set plate
37	000101404	Setscrew 4 × 6
38	000115205	Setscrew TP 4 × 6
39	000114709	Setscrew TP 3 × 6
40	653006101	Cap



NO.	PART NO.	DESCRIPTION
1	806870001	Accessory unit
2	102261000	Bobbin
3	753801004	Buttonhole foot
4	647808009	Seam ripper unit
5	653802002	Screwdriver
6	822804129	Satin stitch foot
7	639804000	Needle set
8	660005009	Spool pin
9	625031500	Spool pin (2)
10	822020503	Spool holder (large)
11	102403109	Felt
12	653524100	Power supply cord (JAI)
	830314018	Power supply cord (JA)
	830377008	Power supply cord (JUK)
	830335004	Power supply cord (230V)
13	033570318	Foot controller
14	806800000	Instruction book (ENG)
	806800022	Instruction book (ENG/SPA/FRE)
	806800044	Instruction book (DUT/FRE/GER)
	806800022	Instruction book (SWE/NOR/DAN)
	806800088	Instruction book (ITA)
	806800103	Instruction book (FIN)
15	401701003	Cover